

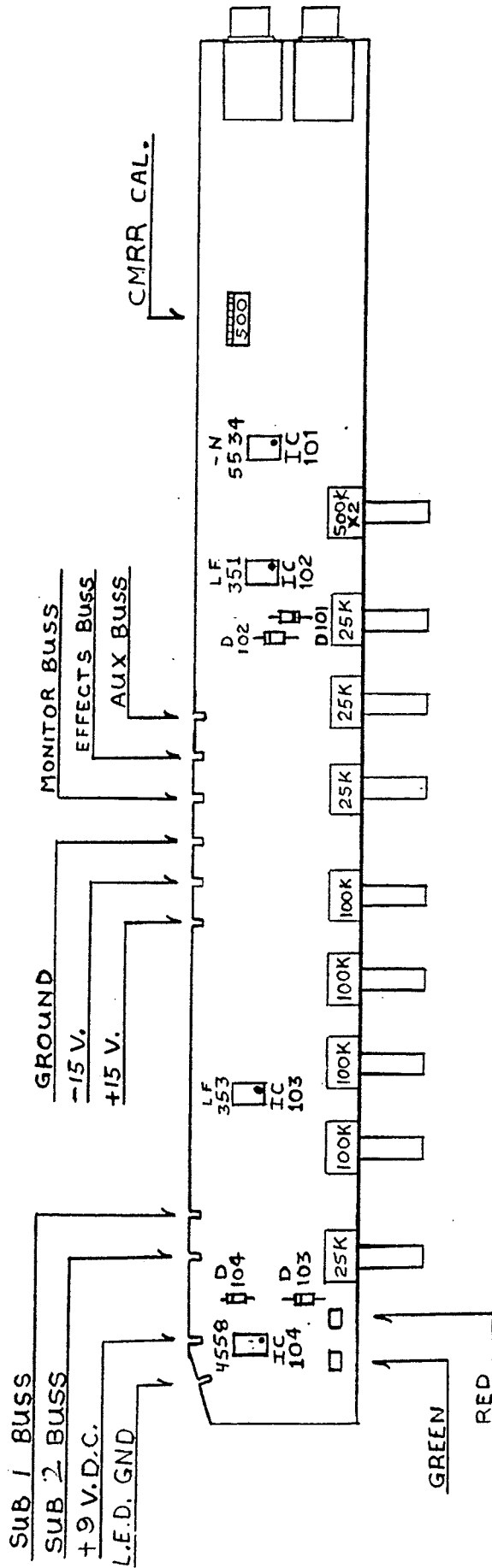
21 Series

Schematic

B I A M P[®]

S Y S T E M S

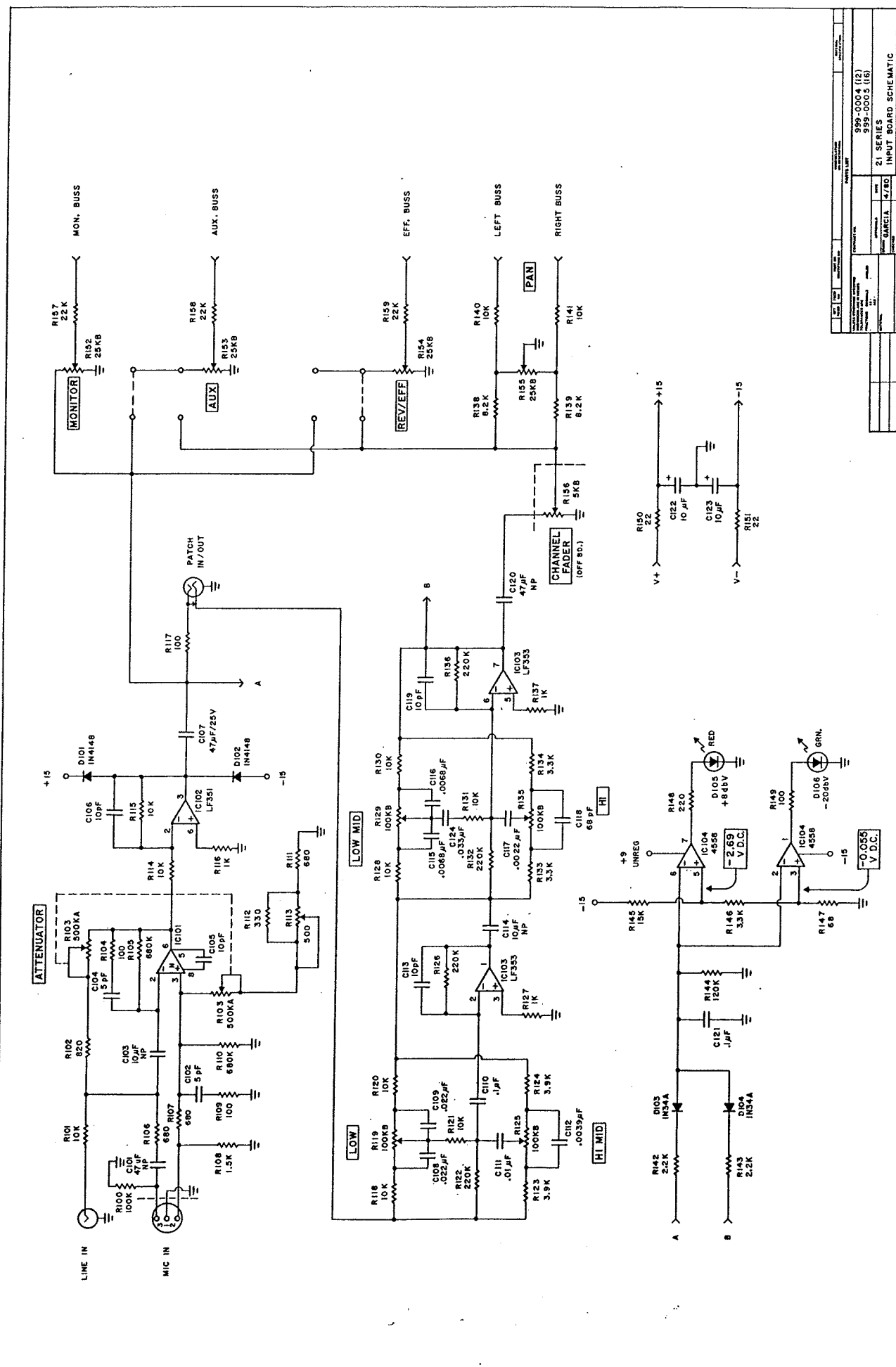
10074 SW Arctic Drive Beaverton, OR 97005 503-641-7287



1221 INPUT BOARD
 COMPONENT SIDE

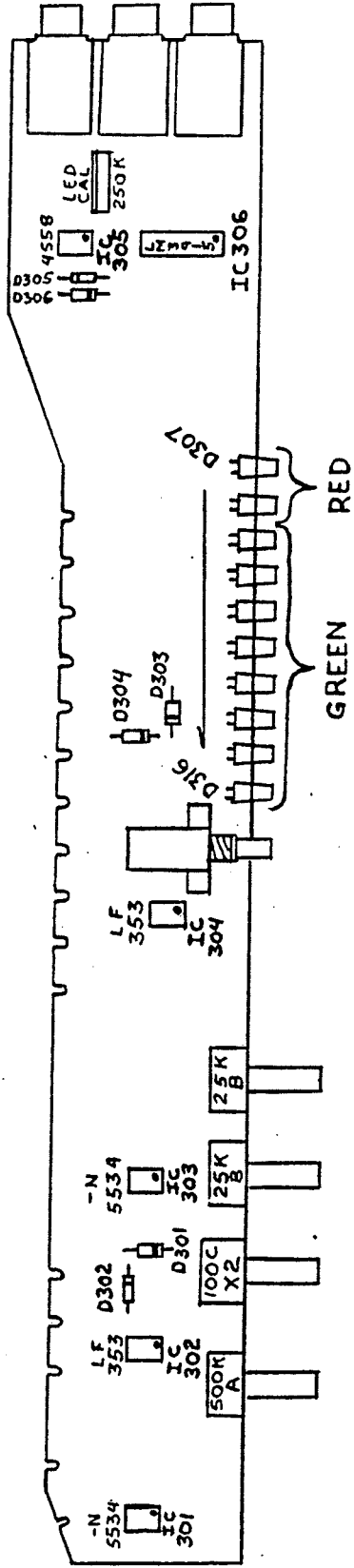
DRAWN BY T.H.

7-8-80



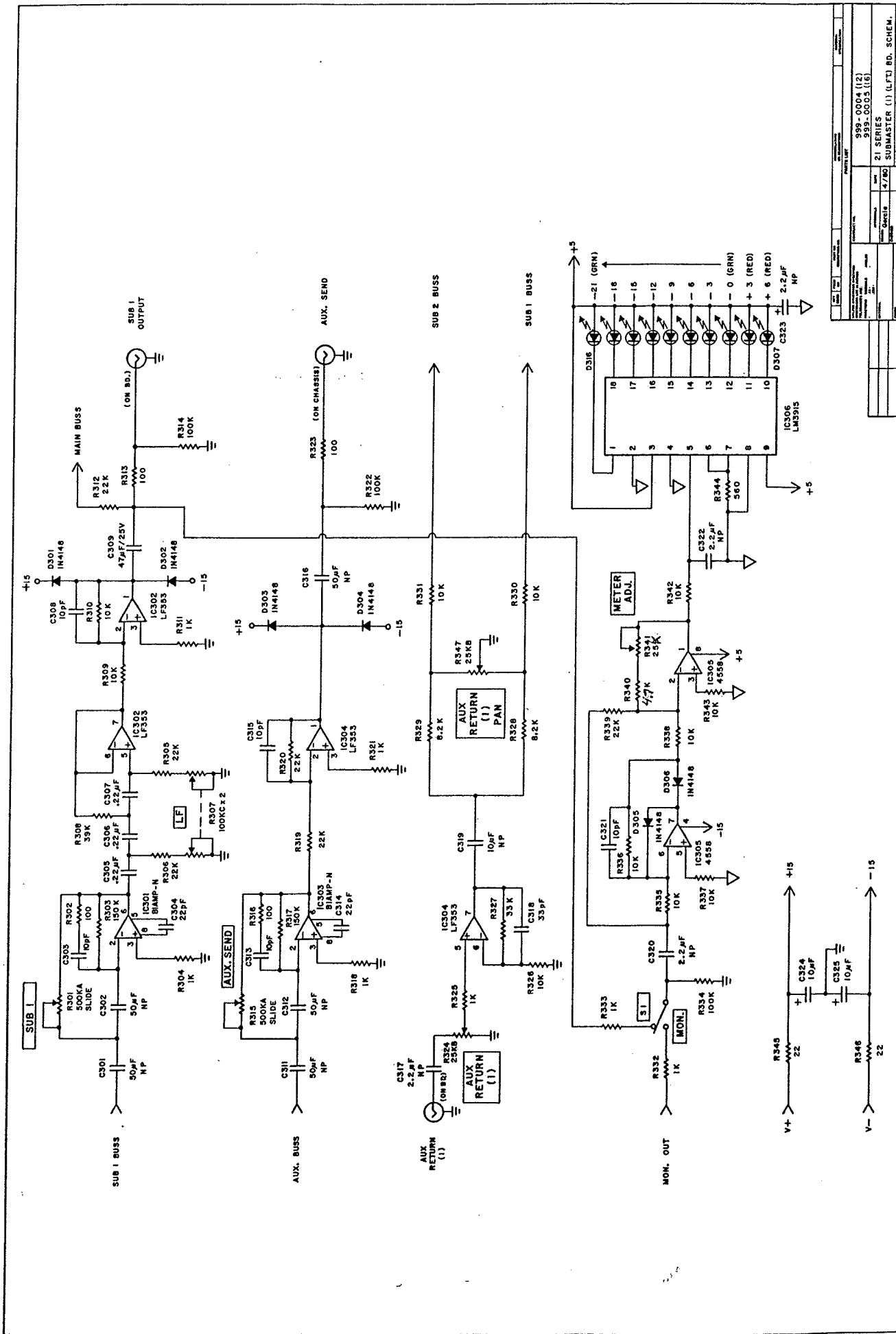
REV	1	DATE	10/1/78	BY	W. J. GARCIA	CHKD	W. J. GARCIA
REV	2	DATE	10/1/78	BY	W. J. GARCIA	CHKD	W. J. GARCIA
REV	3	DATE	10/1/78	BY	W. J. GARCIA	CHKD	W. J. GARCIA
REV	4	DATE	10/1/78	BY	W. J. GARCIA	CHKD	W. J. GARCIA
REV	5	DATE	10/1/78	BY	W. J. GARCIA	CHKD	W. J. GARCIA
REV	6	DATE	10/1/78	BY	W. J. GARCIA	CHKD	W. J. GARCIA
REV	7	DATE	10/1/78	BY	W. J. GARCIA	CHKD	W. J. GARCIA
REV	8	DATE	10/1/78	BY	W. J. GARCIA	CHKD	W. J. GARCIA
REV	9	DATE	10/1/78	BY	W. J. GARCIA	CHKD	W. J. GARCIA
REV	10	DATE	10/1/78	BY	W. J. GARCIA	CHKD	W. J. GARCIA

999-0004 (12)
 999-0005 (16)
 21 SERIES
 INPUT BOARD SCHEMATIC

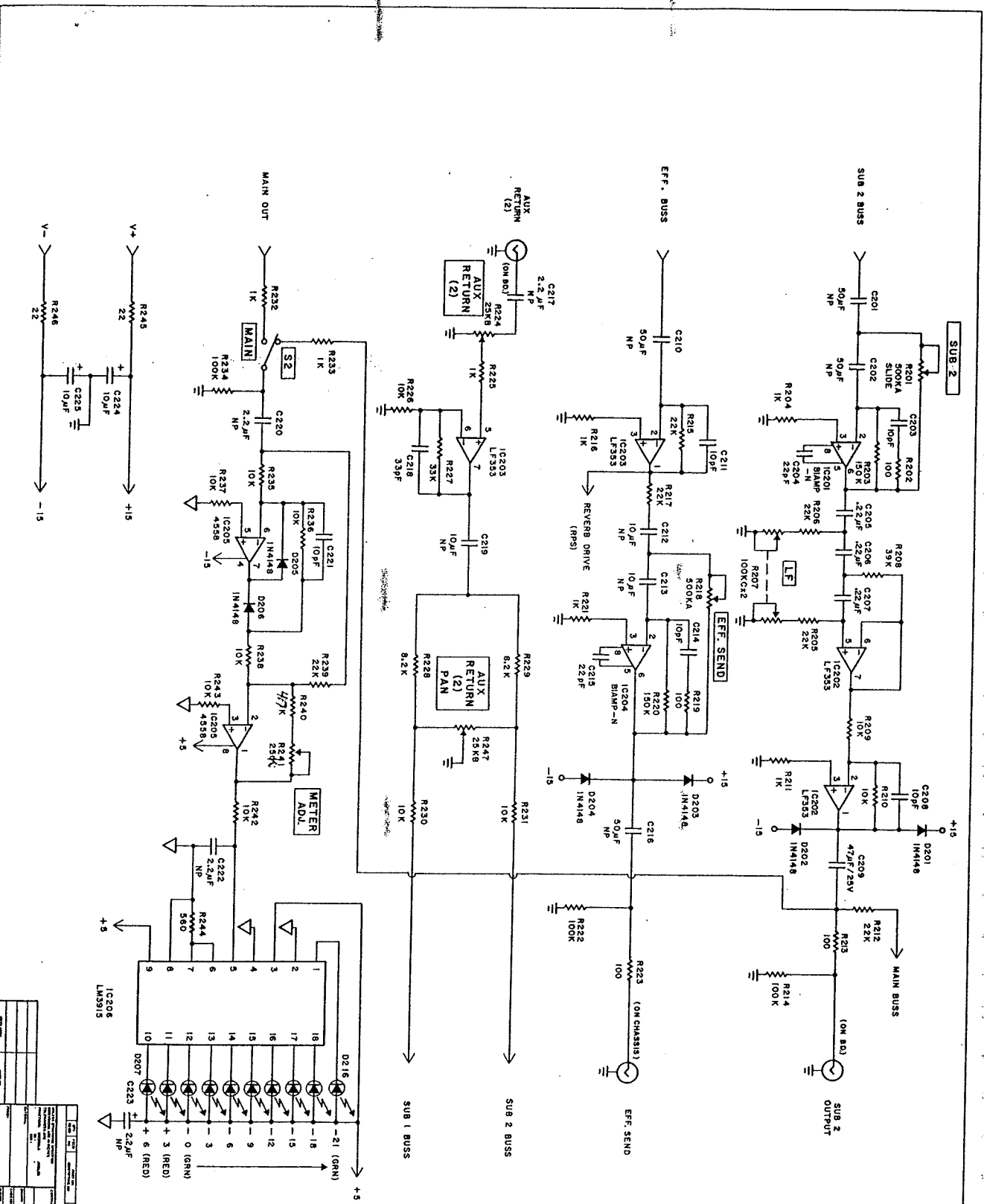


12-1621 SUBMASTER #1
 COMPONENT SIDE

DRAWN BY T.H.
 7-9-80

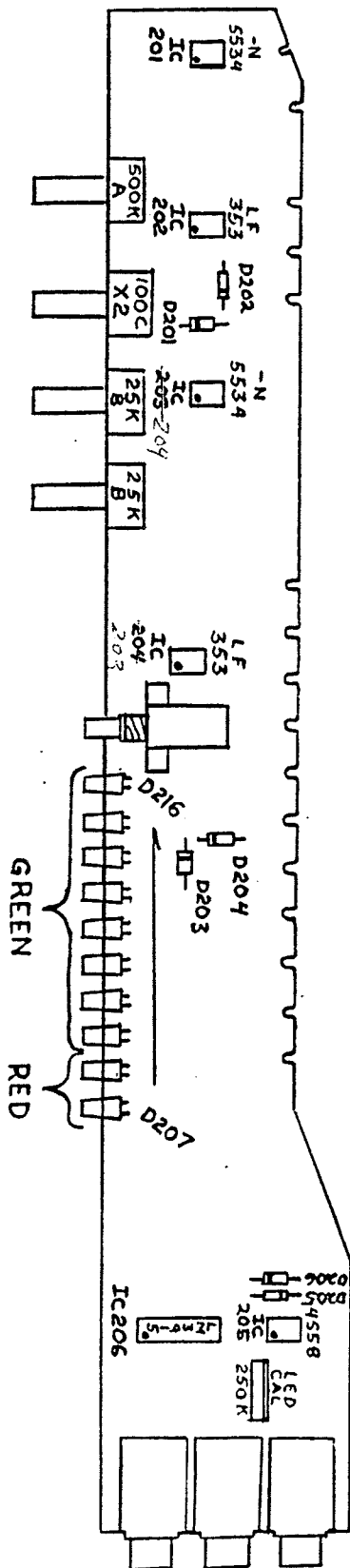


999-0004 (12)	21 SERIES
999-0003 (16)	SUBMASTER (1) (LFT) BD. SCHEM.
4/7/60	REV. 1
4/7/60	REV. 2
4/7/60	REV. 3
4/7/60	REV. 4
4/7/60	REV. 5
4/7/60	REV. 6
4/7/60	REV. 7
4/7/60	REV. 8
4/7/60	REV. 9
4/7/60	REV. 10
4/7/60	REV. 11
4/7/60	REV. 12
4/7/60	REV. 13
4/7/60	REV. 14
4/7/60	REV. 15
4/7/60	REV. 16
4/7/60	REV. 17
4/7/60	REV. 18
4/7/60	REV. 19
4/7/60	REV. 20
4/7/60	REV. 21
4/7/60	REV. 22
4/7/60	REV. 23
4/7/60	REV. 24
4/7/60	REV. 25
4/7/60	REV. 26
4/7/60	REV. 27
4/7/60	REV. 28
4/7/60	REV. 29
4/7/60	REV. 30
4/7/60	REV. 31
4/7/60	REV. 32
4/7/60	REV. 33
4/7/60	REV. 34
4/7/60	REV. 35
4/7/60	REV. 36
4/7/60	REV. 37
4/7/60	REV. 38
4/7/60	REV. 39
4/7/60	REV. 40
4/7/60	REV. 41
4/7/60	REV. 42
4/7/60	REV. 43
4/7/60	REV. 44
4/7/60	REV. 45
4/7/60	REV. 46
4/7/60	REV. 47
4/7/60	REV. 48
4/7/60	REV. 49
4/7/60	REV. 50

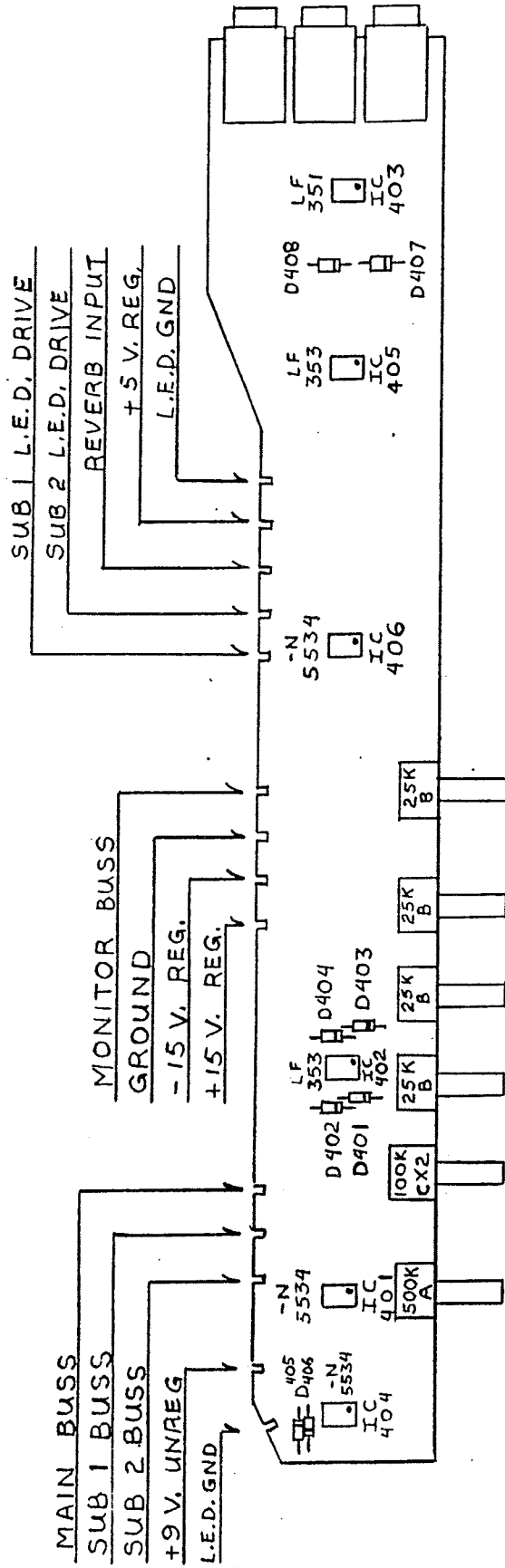


REV	DATE	DESCRIPTION
1		INITIAL
2		REVISION
3		REVISION
4		REVISION
5		REVISION
6		REVISION
7		REVISION
8		REVISION
9		REVISION
10		REVISION
11		REVISION
12		REVISION
13		REVISION
14		REVISION
15		REVISION
16		REVISION
17		REVISION
18		REVISION
19		REVISION
20		REVISION
21		REVISION
22		REVISION
23		REVISION
24		REVISION
25		REVISION
26		REVISION
27		REVISION
28		REVISION
29		REVISION
30		REVISION
31		REVISION
32		REVISION
33		REVISION
34		REVISION
35		REVISION
36		REVISION
37		REVISION
38		REVISION
39		REVISION
40		REVISION
41		REVISION
42		REVISION
43		REVISION
44		REVISION
45		REVISION
46		REVISION
47		REVISION
48		REVISION
49		REVISION
50		REVISION

999-0004 (12)
 399-0003 (16)
 21 SERVICES
 SUBMASTER (2) (RM) B.D. SCHEM.
 0
 2 OF 5

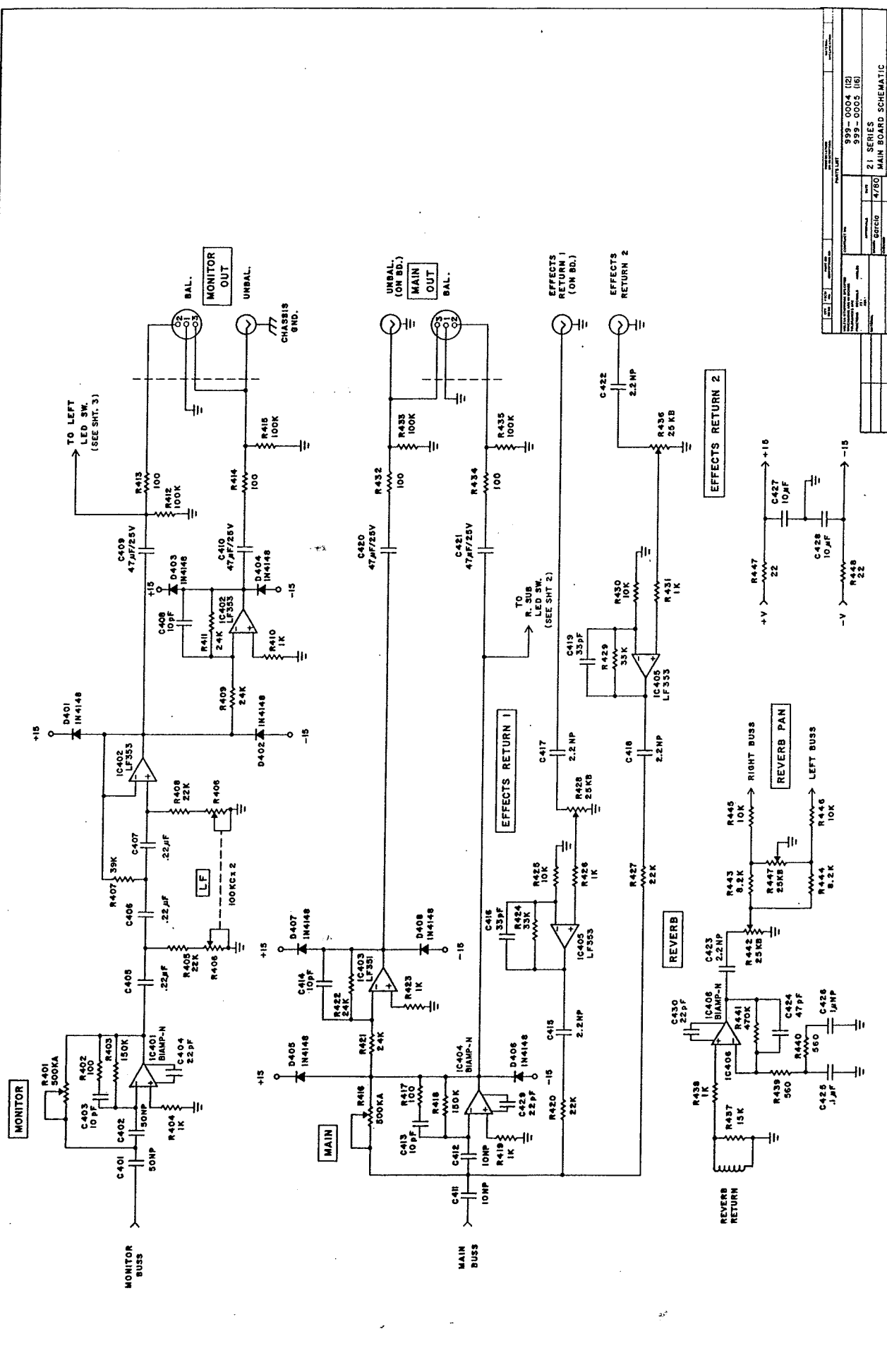


12-1621 SUBMASTER # 2
 COMPONENT SIDE
 DRAWN BY T. H.
 7-9-80

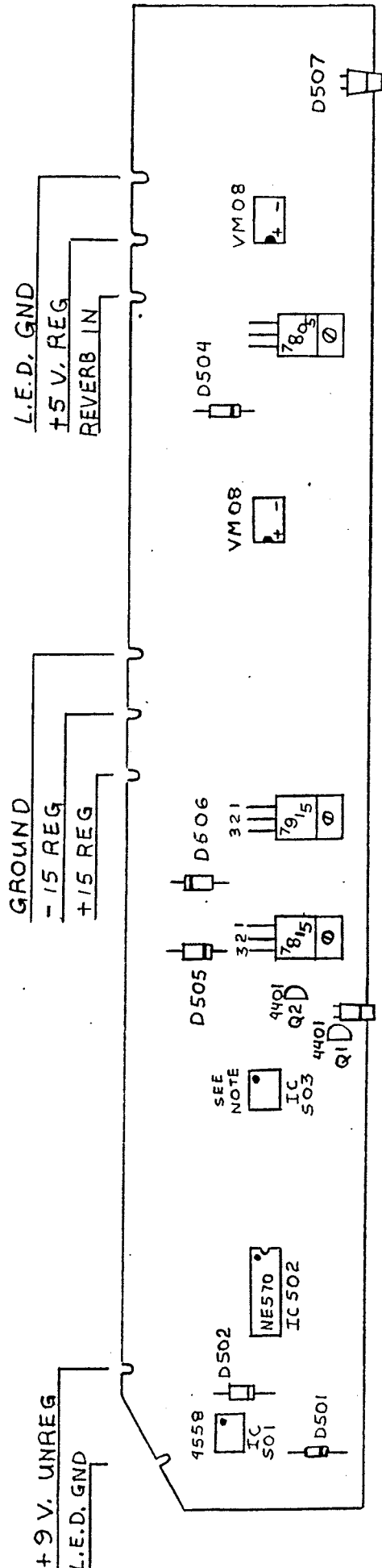


12-1621 MAIN BOARD
 COMPONENT SIDE

DRAWN BY T.H.
 7-9-80



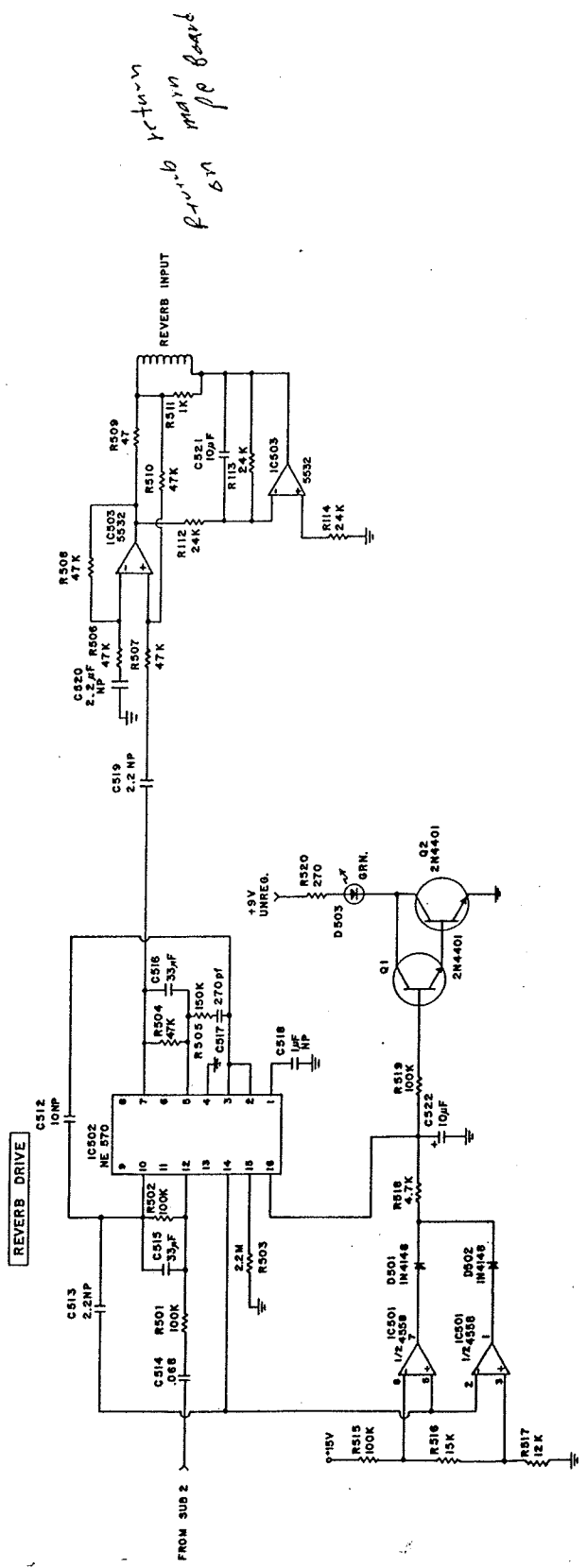
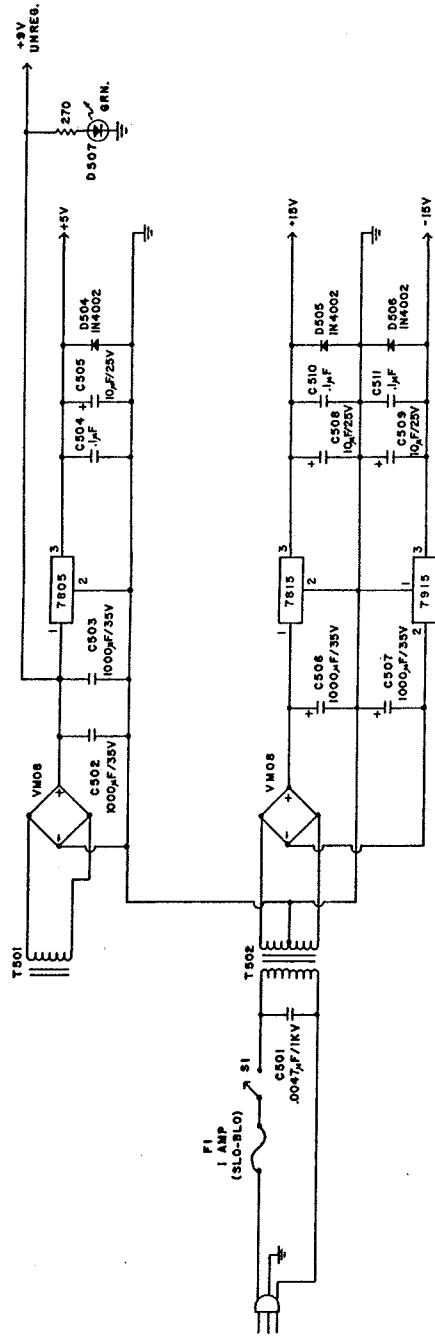
REV. 1	REV. 2	REV. 3	REV. 4	REV. 5	REV. 6	REV. 7	REV. 8	REV. 9	REV. 10
PARTS LIST									
999-0004 (12)									
21 SERIES									
4750 MAIN BOARD SCHEMATIC									
DATE: 11/15/70									
DRAWN BY: [Signature]									
CHECKED BY: [Signature]									
APPROVED BY: [Signature]									



NOTE: GRN
 IC503 - REV A - 4558
 REV B - 5532

12-1621 POWER SUPPLY
 COMPONENT SIDE

DRAWN BY T.H.
 7-9-80



return
from main
pc board

REV	DATE	BY	CHKD	APP'D
1				
2				
3				
4				
5				
6				
7				
8				
9				
10				
11				
12				
13				
14				
15				
16				
17				
18				
19				
20				
21				
22				
23				
24				
25				
26				
27				
28				
29				
30				
31				
32				
33				
34				
35				
36				
37				
38				
39				
40				
41				
42				
43				
44				
45				
46				
47				
48				
49				
50				
51				
52				
53				
54				
55				
56				
57				
58				
59				
60				
61				
62				
63				
64				
65				
66				
67				
68				
69				
70				
71				
72				
73				
74				
75				
76				
77				
78				
79				
80				
81				
82				
83				
84				
85				
86				
87				
88				
89				
90				
91				
92				
93				
94				
95				
96				
97				
98				
99				
100				

REV	DATE	BY	CHKD	APP'D
1				
2				
3				
4				
5				
6				
7				
8				
9				
10				
11				
12				
13				
14				
15				
16				
17				
18				
19				
20				
21				
22				
23				
24				
25				
26				
27				
28				
29				
30				
31				
32				
33				
34				
35				
36				
37				
38				
39				
40				
41				
42				
43				
44				
45				
46				
47				
48				
49				
50				
51				
52				
53				
54				
55				
56				
57				
58				
59				
60				
61				
62				
63				
64				
65				
66				
67				
68				
69				
70				
71				
72				
73				
74				
75				
76				
77				
78				
79				
80				
81				
82				
83				
84				
85				
86				
87				
88				
89				
90				
91				
92				
93				
94				
95				
96				
97				
98				
99				
100				

999-0004 (2)
999-0003 (16)
21 SERIES POWER SUPPLY BD.
SCHEMATIC DRAWING