

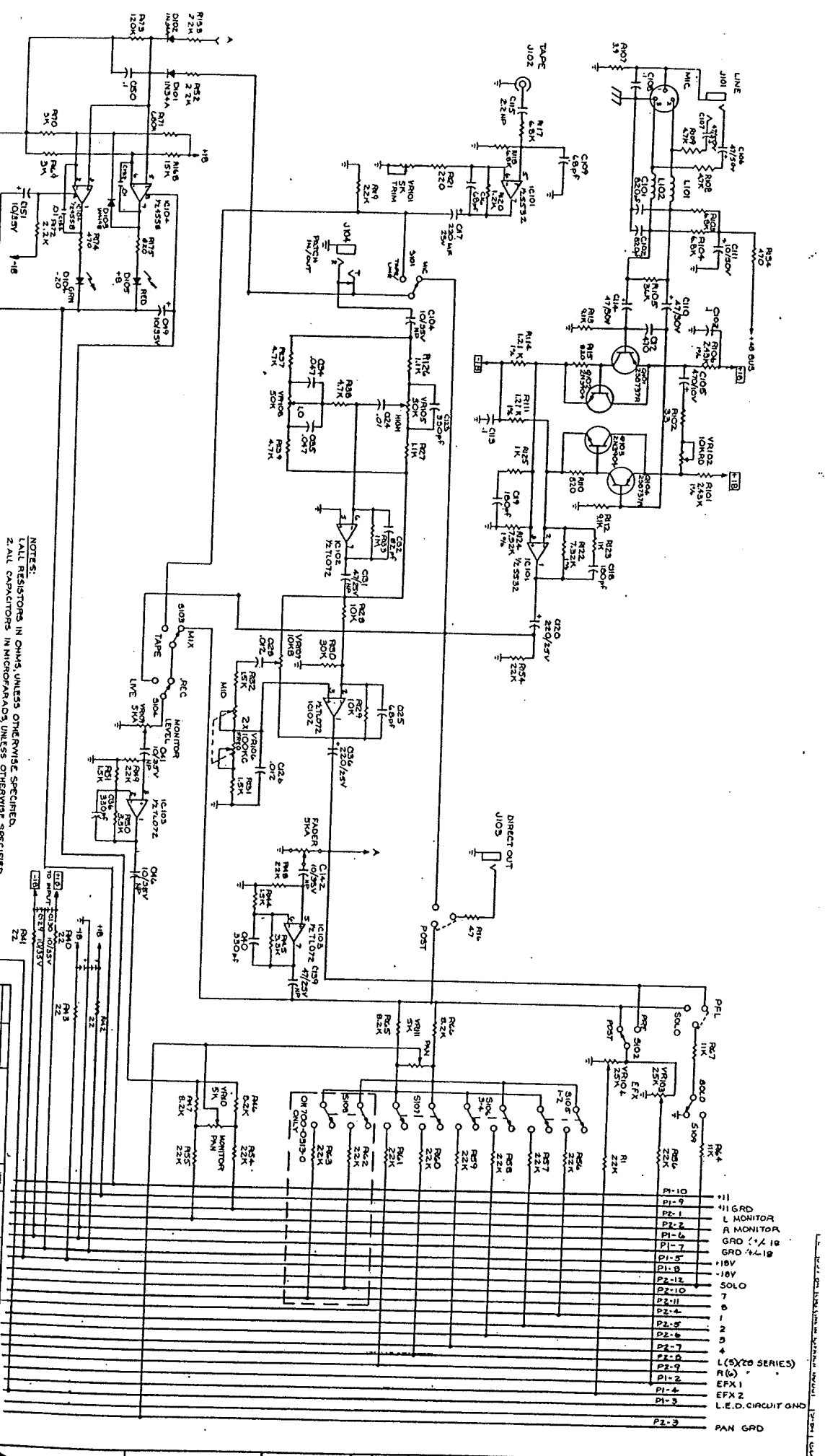
**24/28 Series Mixing Console**

**Schematic**



10074 SW Arctic Drive      Beaverton, OR 97005      503-641-7287

100% TESTED AND BURNED IN  
 ALL PARTS ARE NEW UNLESS OTHERWISE SPECIFIED  
 ALL DIMENSIONS ARE IN INCHES UNLESS OTHERWISE SPECIFIED  
 ALL PARTS ARE TO BE MOUNTED ON A PCB UNLESS OTHERWISE SPECIFIED  
 ALL PARTS ARE TO BE MOUNTED ON A PCB UNLESS OTHERWISE SPECIFIED

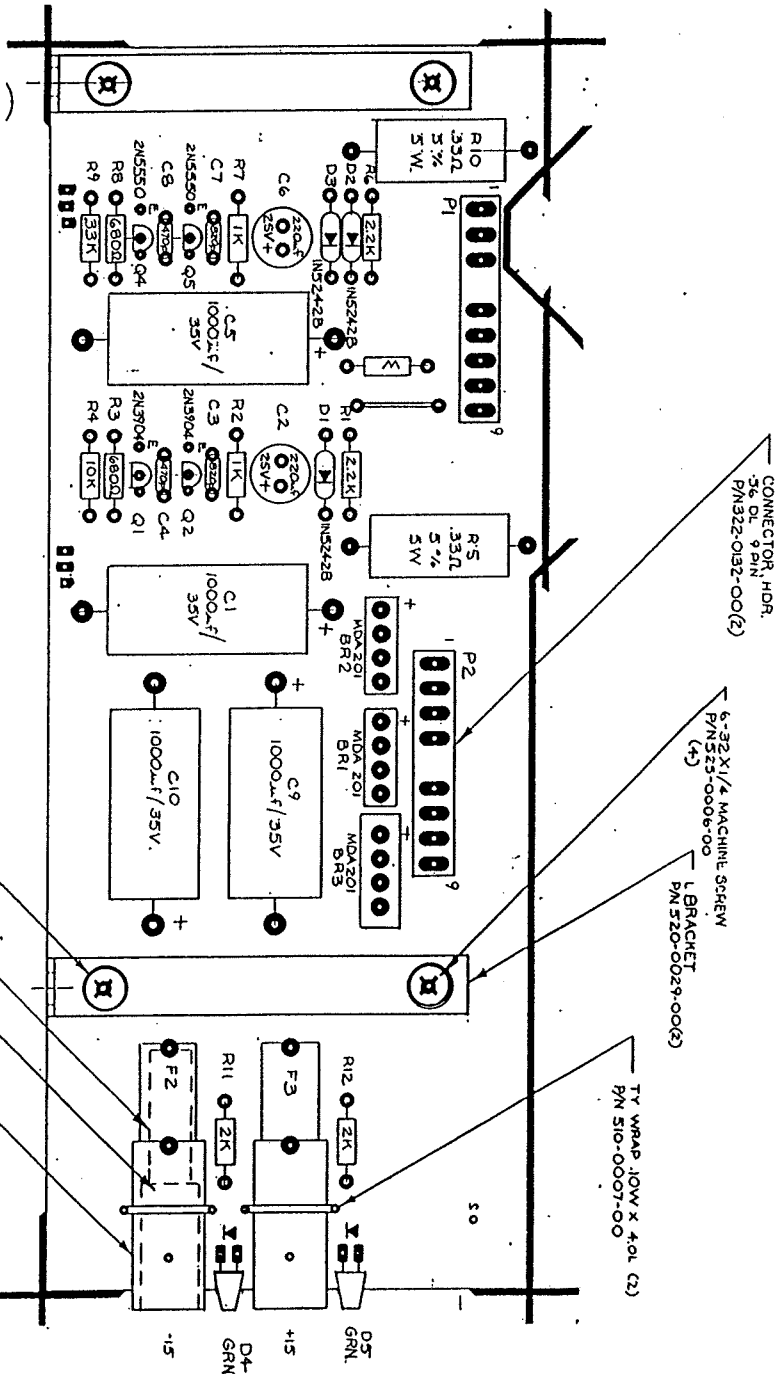


NOTES:  
 1. ALL RESISTORS IN OHMS, UNLESS OTHERWISE SPECIFIED.  
 2. ALL CAPACITORS IN MICROFARADS, UNLESS OTHERWISE SPECIFIED.

QTY	DESCRIPTION	REF. DESIG.	VALUE	MANUFACTURER
1	6X4	6X4	6X4	6X4
1	6X5	6X5	6X5	6X5
1	6X6	6X6	6X6	6X6
1	5Y6	5Y6	5Y6	5Y6
1	6AV6	6AV6	6AV6	6AV6
1	6AV7	6AV7	6AV7	6AV7
1	6AV8	6AV8	6AV8	6AV8
1	6AV9	6AV9	6AV9	6AV9
1	6AV10	6AV10	6AV10	6AV10
1	6AV11	6AV11	6AV11	6AV11
1	6AV12	6AV12	6AV12	6AV12
1	6AV13	6AV13	6AV13	6AV13
1	6AV14	6AV14	6AV14	6AV14
1	6AV15	6AV15	6AV15	6AV15
1	6AV16	6AV16	6AV16	6AV16
1	6AV17	6AV17	6AV17	6AV17
1	6AV18	6AV18	6AV18	6AV18
1	6AV19	6AV19	6AV19	6AV19
1	6AV20	6AV20	6AV20	6AV20
1	6AV21	6AV21	6AV21	6AV21
1	6AV22	6AV22	6AV22	6AV22
1	6AV23	6AV23	6AV23	6AV23
1	6AV24	6AV24	6AV24	6AV24
1	6AV25	6AV25	6AV25	6AV25
1	6AV26	6AV26	6AV26	6AV26
1	6AV27	6AV27	6AV27	6AV27
1	6AV28	6AV28	6AV28	6AV28
1	6AV29	6AV29	6AV29	6AV29
1	6AV30	6AV30	6AV30	6AV30
1	6AV31	6AV31	6AV31	6AV31
1	6AV32	6AV32	6AV32	6AV32
1	6AV33	6AV33	6AV33	6AV33
1	6AV34	6AV34	6AV34	6AV34
1	6AV35	6AV35	6AV35	6AV35
1	6AV36	6AV36	6AV36	6AV36
1	6AV37	6AV37	6AV37	6AV37
1	6AV38	6AV38	6AV38	6AV38
1	6AV39	6AV39	6AV39	6AV39
1	6AV40	6AV40	6AV40	6AV40
1	6AV41	6AV41	6AV41	6AV41
1	6AV42	6AV42	6AV42	6AV42
1	6AV43	6AV43	6AV43	6AV43
1	6AV44	6AV44	6AV44	6AV44
1	6AV45	6AV45	6AV45	6AV45
1	6AV46	6AV46	6AV46	6AV46
1	6AV47	6AV47	6AV47	6AV47
1	6AV48	6AV48	6AV48	6AV48
1	6AV49	6AV49	6AV49	6AV49
1	6AV50	6AV50	6AV50	6AV50
1	6AV51	6AV51	6AV51	6AV51
1	6AV52	6AV52	6AV52	6AV52
1	6AV53	6AV53	6AV53	6AV53
1	6AV54	6AV54	6AV54	6AV54
1	6AV55	6AV55	6AV55	6AV55
1	6AV56	6AV56	6AV56	6AV56
1	6AV57	6AV57	6AV57	6AV57
1	6AV58	6AV58	6AV58	6AV58
1	6AV59	6AV59	6AV59	6AV59
1	6AV60	6AV60	6AV60	6AV60
1	6AV61	6AV61	6AV61	6AV61
1	6AV62	6AV62	6AV62	6AV62
1	6AV63	6AV63	6AV63	6AV63
1	6AV64	6AV64	6AV64	6AV64
1	6AV65	6AV65	6AV65	6AV65
1	6AV66	6AV66	6AV66	6AV66
1	6AV67	6AV67	6AV67	6AV67
1	6AV68	6AV68	6AV68	6AV68
1	6AV69	6AV69	6AV69	6AV69
1	6AV70	6AV70	6AV70	6AV70
1	6AV71	6AV71	6AV71	6AV71
1	6AV72	6AV72	6AV72	6AV72
1	6AV73	6AV73	6AV73	6AV73
1	6AV74	6AV74	6AV74	6AV74
1	6AV75	6AV75	6AV75	6AV75
1	6AV76	6AV76	6AV76	6AV76
1	6AV77	6AV77	6AV77	6AV77
1	6AV78	6AV78	6AV78	6AV78
1	6AV79	6AV79	6AV79	6AV79
1	6AV80	6AV80	6AV80	6AV80
1	6AV81	6AV81	6AV81	6AV81
1	6AV82	6AV82	6AV82	6AV82
1	6AV83	6AV83	6AV83	6AV83
1	6AV84	6AV84	6AV84	6AV84
1	6AV85	6AV85	6AV85	6AV85
1	6AV86	6AV86	6AV86	6AV86
1	6AV87	6AV87	6AV87	6AV87
1	6AV88	6AV88	6AV88	6AV88
1	6AV89	6AV89	6AV89	6AV89
1	6AV90	6AV90	6AV90	6AV90
1	6AV91	6AV91	6AV91	6AV91
1	6AV92	6AV92	6AV92	6AV92
1	6AV93	6AV93	6AV93	6AV93
1	6AV94	6AV94	6AV94	6AV94
1	6AV95	6AV95	6AV95	6AV95
1	6AV96	6AV96	6AV96	6AV96
1	6AV97	6AV97	6AV97	6AV97
1	6AV98	6AV98	6AV98	6AV98
1	6AV99	6AV99	6AV99	6AV99
1	6AV100	6AV100	6AV100	6AV100

BIAMP SYSTEMS INC.  
 24/28 SERIES  
 SCHEMATIC - INPUT  
 100-0315-01  
 100-0315-02  
 100-0315-03  
 100-0315-04  
 100-0315-05  
 100-0315-06  
 100-0315-07  
 100-0315-08  
 100-0315-09  
 100-0315-10  
 100-0315-11  
 100-0315-12  
 100-0315-13  
 100-0315-14  
 100-0315-15  
 100-0315-16  
 100-0315-17  
 100-0315-18  
 100-0315-19  
 100-0315-20  
 100-0315-21  
 100-0315-22  
 100-0315-23  
 100-0315-24  
 100-0315-25  
 100-0315-26  
 100-0315-27  
 100-0315-28  
 100-0315-29  
 100-0315-30  
 100-0315-31  
 100-0315-32  
 100-0315-33  
 100-0315-34  
 100-0315-35  
 100-0315-36  
 100-0315-37  
 100-0315-38  
 100-0315-39  
 100-0315-40  
 100-0315-41  
 100-0315-42  
 100-0315-43  
 100-0315-44  
 100-0315-45  
 100-0315-46  
 100-0315-47  
 100-0315-48  
 100-0315-49  
 100-0315-50  
 100-0315-51  
 100-0315-52  
 100-0315-53  
 100-0315-54  
 100-0315-55  
 100-0315-56  
 100-0315-57  
 100-0315-58  
 100-0315-59  
 100-0315-60  
 100-0315-61  
 100-0315-62  
 100-0315-63  
 100-0315-64  
 100-0315-65  
 100-0315-66  
 100-0315-67  
 100-0315-68  
 100-0315-69  
 100-0315-70  
 100-0315-71  
 100-0315-72  
 100-0315-73  
 100-0315-74  
 100-0315-75  
 100-0315-76  
 100-0315-77  
 100-0315-78  
 100-0315-79  
 100-0315-80  
 100-0315-81  
 100-0315-82  
 100-0315-83  
 100-0315-84  
 100-0315-85  
 100-0315-86  
 100-0315-87  
 100-0315-88  
 100-0315-89  
 100-0315-90  
 100-0315-91  
 100-0315-92  
 100-0315-93  
 100-0315-94  
 100-0315-95  
 100-0315-96  
 100-0315-97  
 100-0315-98  
 100-0315-99  
 100-0315-100

THIS DRAWING IS THE PROPERTY OF BIAAMP SYSTEMS INC. AND IS TO BE USED ONLY FOR THE PURPOSES INDICATED. IT IS TO BE KEPT IN CONFIDENTIALITY AND NOT TO BE REPRODUCED OR TRANSMITTED IN ANY FORM OR BY ANY MEANS, ELECTRONIC OR MECHANICAL, INCLUDING PHOTOCOPYING, RECORDING, OR BY ANY INFORMATION STORAGE AND RETRIEVAL SYSTEM. ANY UNAUTHORIZED REPRODUCTION OR TRANSMISSION IS STRICTLY PROHIBITED. BIAAMP SYSTEMS INC. 10/15/22 PCB ASSY.



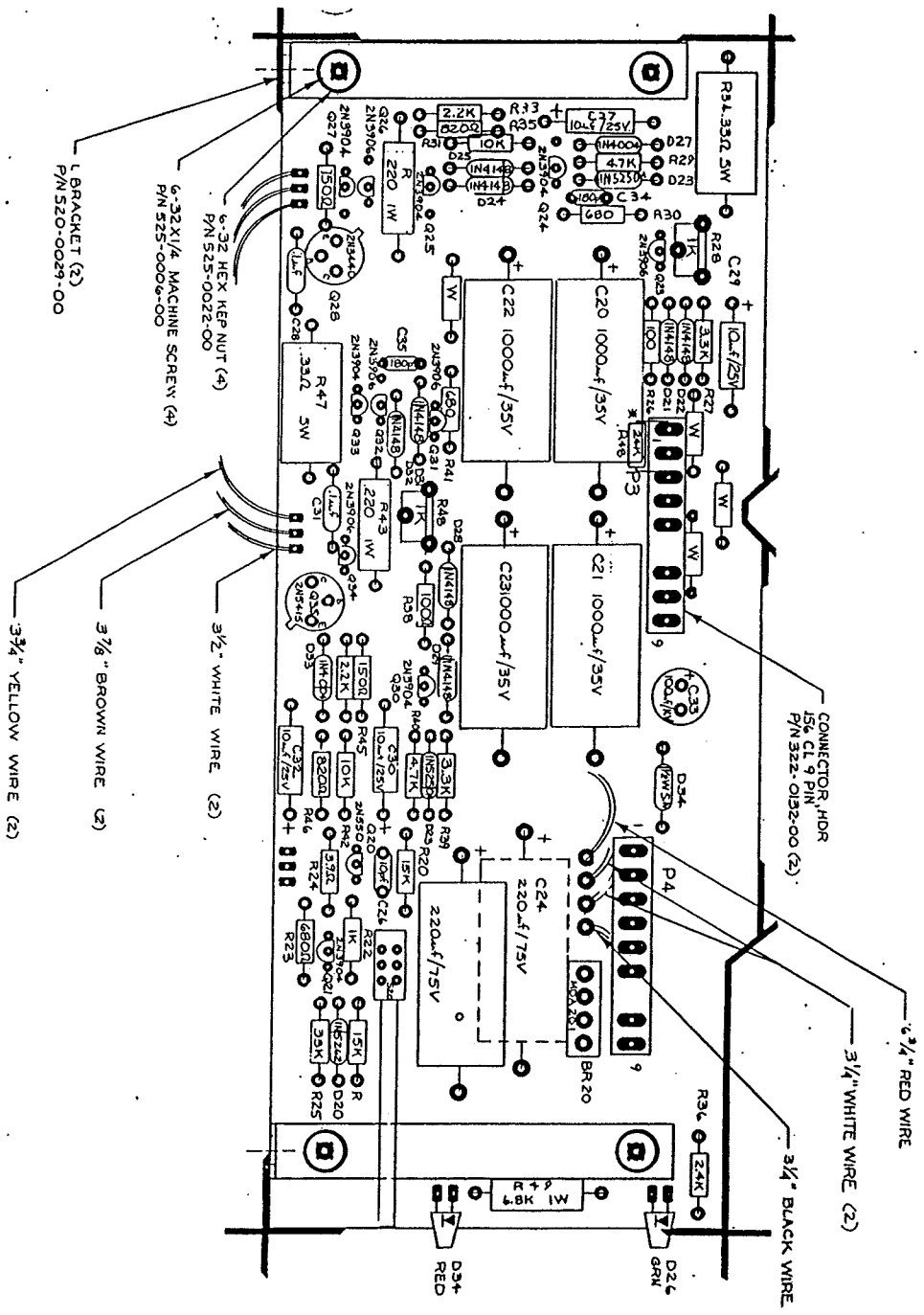
- CONNECTOR HDR, P/N 322-012-00 (2)
- 6-32 X 1/4 MACHINE SCREW P/N 523-0006-00 (4)
- L BRACKET P/N 520-0029-00 (2)
- TY WRAP 10W X 4OL (2)
- FUSEHOLDER P/N 305-0009-00 (2)
- FUSEHOLDER CAP GREY P/N 305-0010-00 (2)
- FUSE 1A 250V P/N 300-0010-00 (2)
- 6-32 HEX KEP NUT P/N 525-0022-00 (2)

REV	ECO	CHANGE	DATE	BY
007-B*		ADD INTERFERENCE	Z-8*	KVR
		REVISION		

ITEM	PART NO	QUANTITY	DESCRIPTION	UNIT	QTY	DT
1	PS 60/42	1	POWER SUPPLY ASSEMBLY	PCB ASSY	1	10/15/22
2	PS 60/42	1	POWER SUPPLY ASSEMBLY	PCB ASSY	1	10/15/22
3	PS 60/42	1	POWER SUPPLY ASSEMBLY	PCB ASSY	1	10/15/22
4	PS 60/42	1	POWER SUPPLY ASSEMBLY	PCB ASSY	1	10/15/22

DATE: 10/15/22  
 BY: KVR  
 CHECKED: [Signature]  
 APPROVED: [Signature]  
 BIAAMP SYSTEMS INC.  
 PS 60/42 10/15/22 PCB ASSY

Notes: 1. This drawing is the property of BIAMP Systems Inc. and should not be reproduced without the written consent of BIAMP Systems Inc. 2. All dimensions are in inches unless otherwise specified. 3. All tolerances are as specified in the drawing. 4. All components are to be purchased from the manufacturer specified in the drawing. 5. All components are to be purchased from the manufacturer specified in the drawing. 6. All components are to be purchased from the manufacturer specified in the drawing. 7. All components are to be purchased from the manufacturer specified in the drawing. 8. All components are to be purchased from the manufacturer specified in the drawing. 9. All components are to be purchased from the manufacturer specified in the drawing. 10. All components are to be purchased from the manufacturer specified in the drawing.

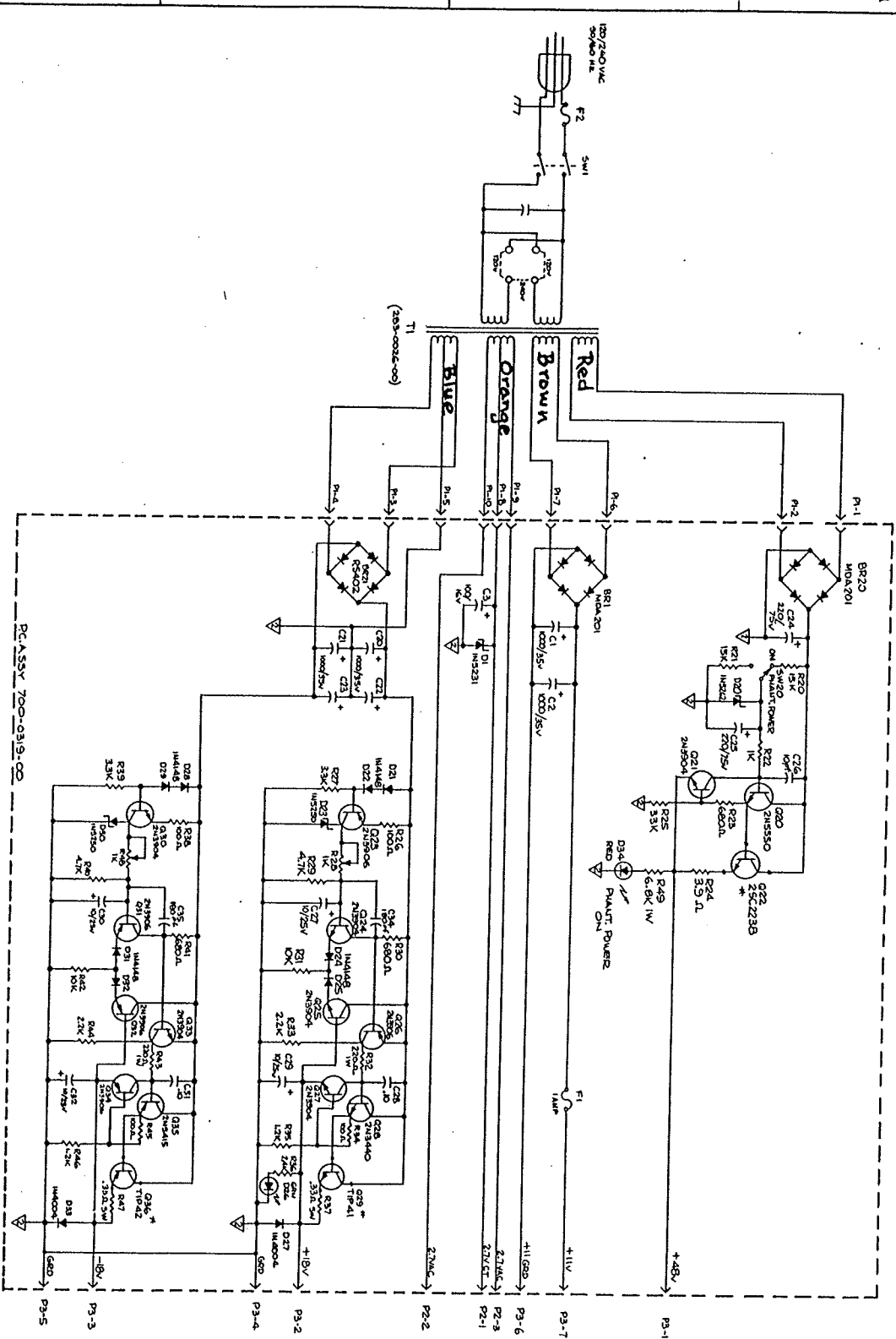


REV	DATE	CHANGED	DATE	BY
A	007-88	ADD NOTICES, REVISE CIRCUITS	7-84	MWR
B	052-84	ADD 24K R TO P3	5-84	MWR

DESCRIPTION	DATE	BY
BIAMP SYSTEMS INC.	5-84	MWR
PS 80/42 18/45V PCB ASSY		

\* ADD PADS FOR THIS PART AT THE NEXT PCB ARTWORK CHANGE

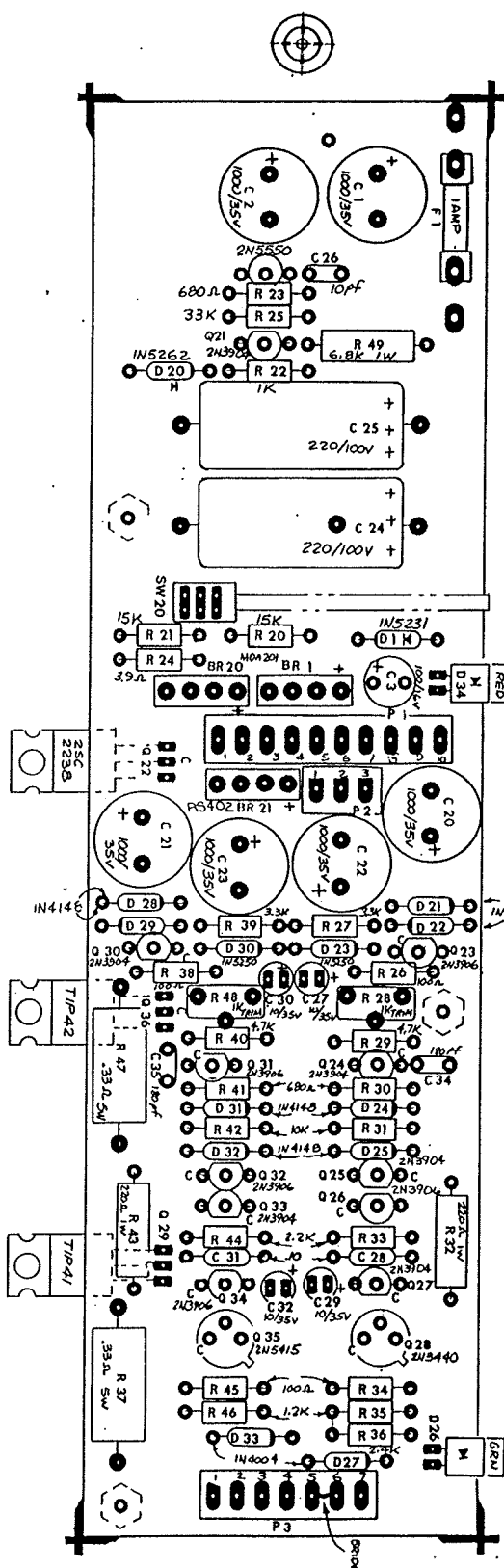
THIS DRAWING IS THE PROPERTY OF BIAMP SYSTEMS INC. IT IS TO BE USED ONLY FOR THE PROJECT AND QUANTITY SPECIFIED. IT IS NOT TO BE REPRODUCED OR COPIED IN ANY MANNER WITHOUT THE WRITTEN PERMISSION OF BIAMP SYSTEMS INC. ALL RIGHTS ARE RESERVED.



PC ASSY 700-0319-00

DATE	2011.10
DESIGNED BY	GD
CHECKED BY	
APPROVED BY	
DATE	
BY	
FOR	
PROJECT	
DESCRIPTION	BIAMP SYSTEMS INC
POWER SUPPLY - SCHEMATIC	
24/7A SCHEMATIC	

THIS DRAWING IS THE PROPERTY OF BIAMP SYSTEMS, INC. IT IS TO BE USED ONLY FOR THE MANUFACTURE OF BIAMP SYSTEMS, INC. PRODUCTS. IT IS NOT TO BE REPRODUCED OR TRANSMITTED IN ANY FORM OR BY ANY MEANS, ELECTRONIC OR MECHANICAL, INCLUDING PHOTOCOPYING, RECORDING, OR BY ANY INFORMATION STORAGE AND RETRIEVAL SYSTEM. WITHOUT THE WRITTEN PERMISSION OF BIAMP SYSTEMS, INC. THIS DRAWING IS UNCLASSIFIED AND IS NOT TO BE REPRODUCED OR TRANSMITTED IN ANY FORM OR BY ANY MEANS, ELECTRONIC OR MECHANICAL, INCLUDING PHOTOCOPYING, RECORDING, OR BY ANY INFORMATION STORAGE AND RETRIEVAL SYSTEM.



CONNECTOR P<sub>N</sub> ASSIGNMENT

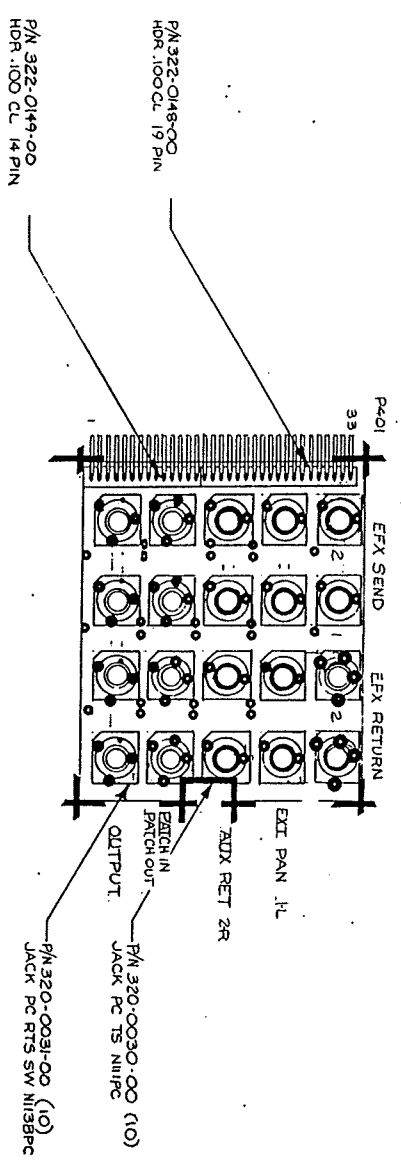
P1 (INPUT) (JENSEN #283-0026-00)	P2 (OUTPUT)	P3 (OUTPUT)
P1-1 SEC.1 (5X3.5V)	P2-1 CT. SEC.3	P3-1 +48V
P1-2 SEC.1 "	P2-2 SEC.3	P3-2 -18V
P1-3 SEC.4 (472V CT)	P2-3 SEC.3	P3-3 SIGNAL GROUND
P1-4 SEC.4 "		P3-4 +11V GROUND
P1-5 SEC.4 CT.		
P1-6 SEC.2 (107V)		
P1-7 SEC.2 "		
P1-8 SEC.3 CT. (271VCT)		
P1-9 SEC.3		
P1-10 SEC.3		

THESE 3 TRANSISTORS MOUNTED TO HEAT SINK DURING ASSEMBLY

BIAMP SYSTEMS, INC. 584  
 PC ASSEMBLY - POWER SUPPLY  
 24/28 SERIES  
 REV. NO. 701-0319-00

REV.	ED.	CHANGE	DATE	BY

THIS DRAWING IS THE PROPERTY OF BIAAMP SYSTEMS INC. AND IS NOT TO BE REPRODUCED, COPIED, REPRODUCED, TRANSMITTED, OR DISTRIBUTED IN ANY MANNER WITHOUT THE WRITTEN PERMISSION OF BIAAMP SYSTEMS INC. ANY UNAUTHORIZED USE OF THIS DRAWING IS STRICTLY PROHIBITED. BIAAMP SYSTEMS INC. IS NOT RESPONSIBLE FOR ANY DAMAGE TO PROPERTY OR PERSONS ARISING FROM THE USE OF THIS DRAWING. BIAAMP SYSTEMS INC. IS NOT RESPONSIBLE FOR ANY DAMAGE TO PROPERTY OR PERSONS ARISING FROM THE USE OF THIS DRAWING.



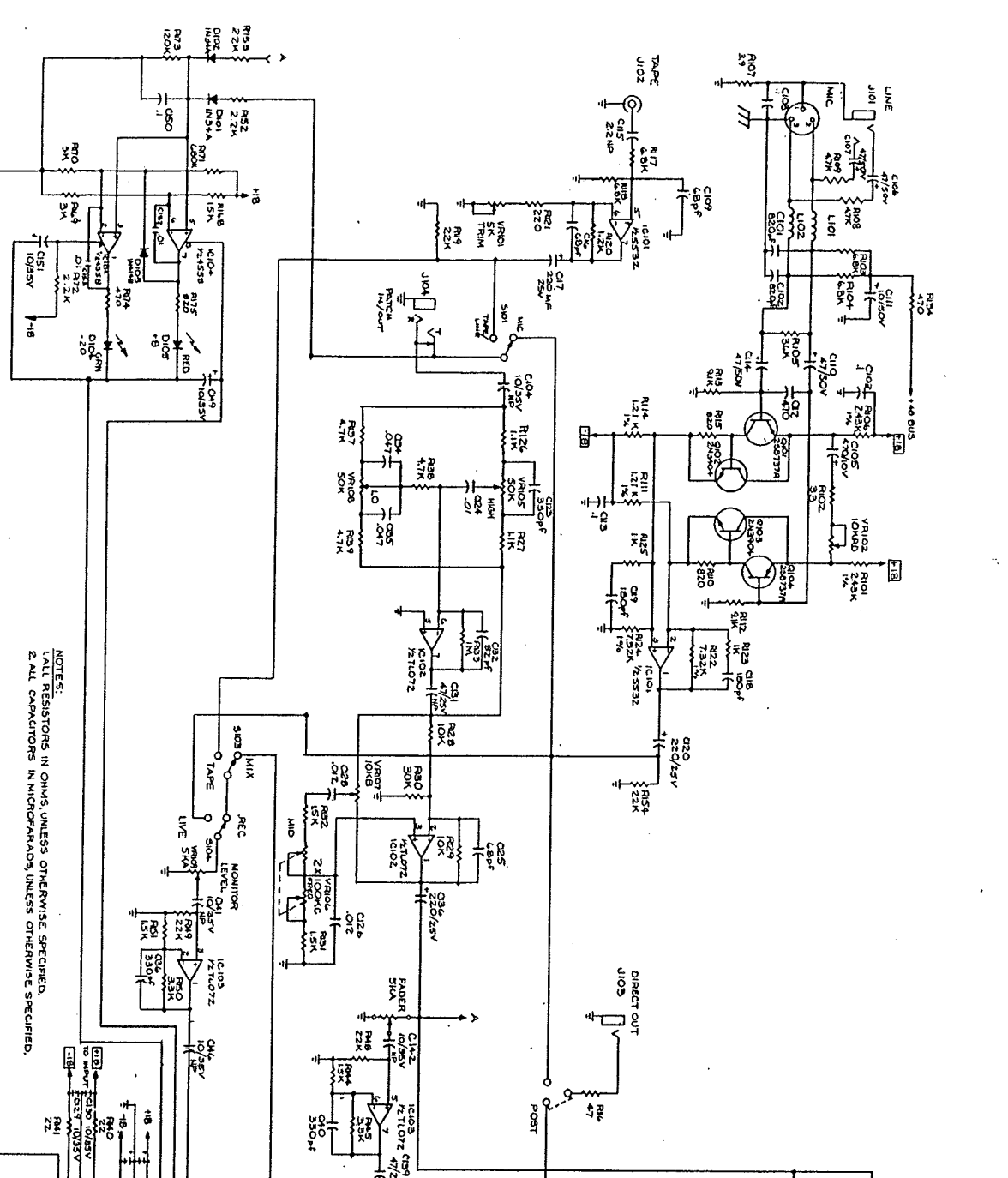
A B C D

1 2 3 4

DESCRIPTION			DATE	BY
BIAMP SYSTEMS INC.			7/84	
24/28 SUB 1-4 JACK PCB ASSY.				
PART NO. 701-0321-00			SCALE 1:1	DR 1
MATERIAL N/A			FINISH N/A	APPROVED
DESIGNED BY			CHECKED BY	DATE
DRAWN BY			DATE	BY
MATERIAL N/A			DATE	BY
FINISH N/A			DATE	BY
APPROVED			DATE	BY
APPLICATION			DATE	BY
REVISION			DATE	BY
NEXT TIME			DATE	BY
MODEL			DATE	BY
APPROVED			DATE	BY

A B C

1 2 3 4



NOTES:  
1. ALL RESISTORS IN OHMS UNLESS OTHERWISE SPECIFIED.  
2. ALL CAPACITORS IN MICROFARADS UNLESS OTHERWISE SPECIFIED.

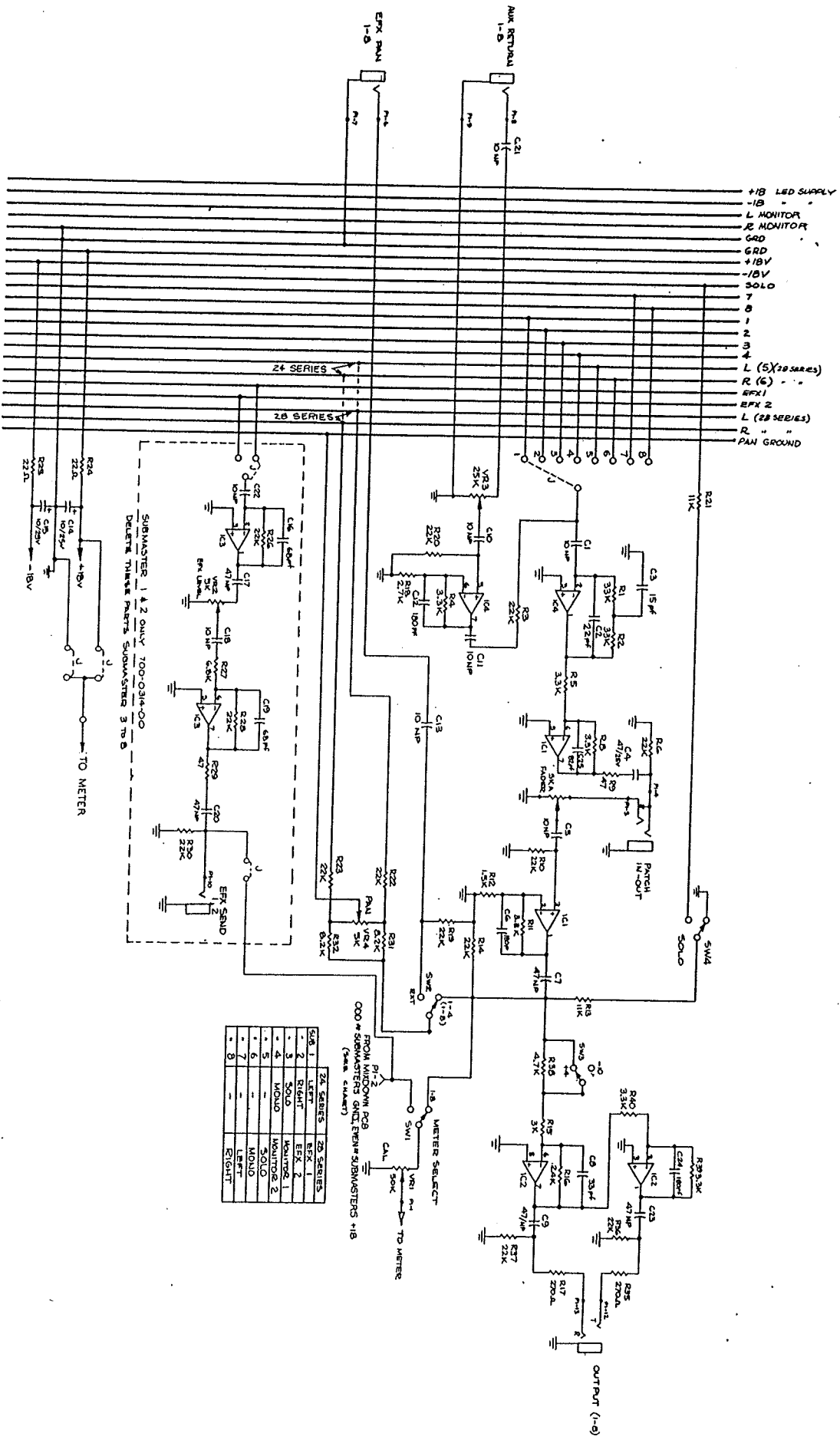
PAN GRD  
P1-3 L.E.D. CIRCUIT GND  
P1-4 EFX 2  
P1-2 EFX 1  
P2-9 R(5)  
P2-10 L(5)(20 SERIES)  
P2-7 4  
P2-8 2  
P2-6 5  
P2-4 6  
P2-11 7  
P2-12 SOLO  
P1-8 18V  
P1-5 18V  
P1-7 GRD 1/2 18  
P1-6 1/2 18  
P2-1 11 GRD  
P1-9 11 GRD  
P1-1 11  
P1-10 11

A B C D E F G H

SCHEMATIC - INPUT	24/78 SERIES
SHERBORN, MASS.	
1978	

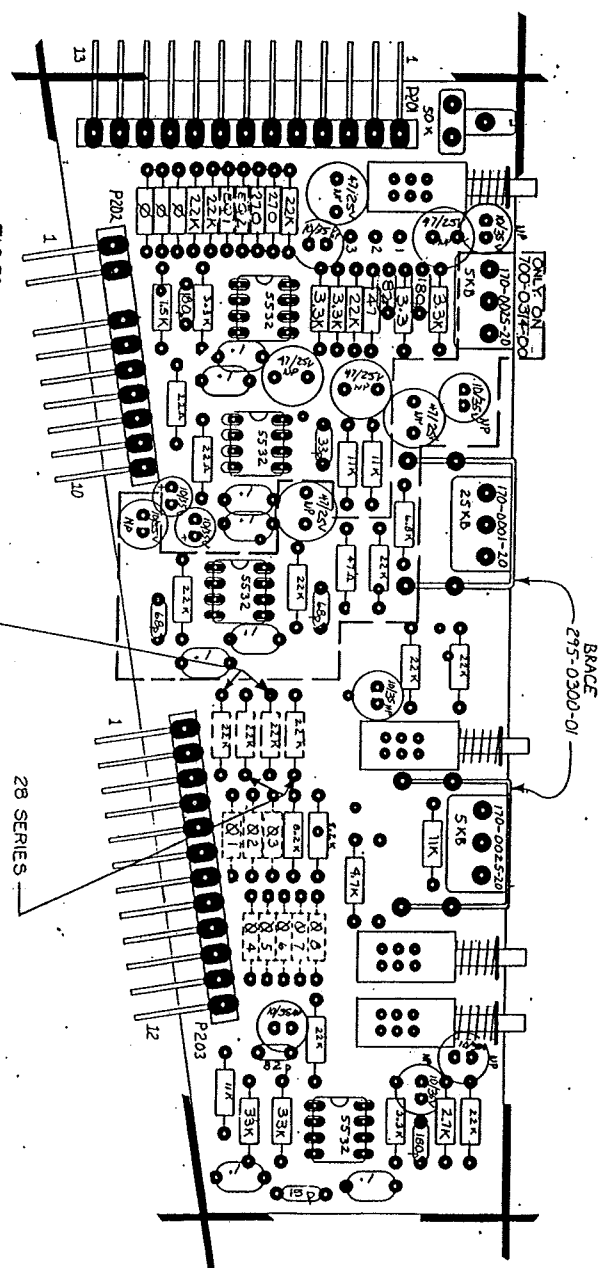


1. This drawing is prepared in accordance with the following standards:  
 2. All dimensions are in inches unless otherwise specified.  
 3. All tolerances are as shown unless otherwise specified.  
 4. All materials are as shown unless otherwise specified.  
 5. All components are as shown unless otherwise specified.  
 6. All components are to be of standard commercial grade unless otherwise specified.  
 7. All components are to be of standard commercial grade unless otherwise specified.  
 8. All components are to be of standard commercial grade unless otherwise specified.



DATE	REV	BY	CHK	APP
24/28	1			
SCHEMATIC - SUBMASTER				
BIAMP SYSTEMS INC.				
24/28 SERIES				

REV	DATE	BY	CHKD
A	04-29-84	APD	JMP
ADD JUMPER/CHIEF		7-84	JMP
CIRCUITRY			



- FADER
- 1 ELEMENT - RED -
  - 2 WIRES - YELLOW -
  - 3 GROUND - BLUE -

24 SERIES

28 SERIES

BRACE  
295-0300-01



USE THIS DRAWING WITH:  
 PCB ARTWORK: 380-0137-00 REV A  
 FAB DRAWING: 380-D137-00 REV A  
 MASK LEVEL: NONE

BIAMP SYSTEMS INC.

24-28 SUBMASTER BOARD

USE THIS DRAWING WITH:  
 PCB PART WORK: 390-0138-00 REV A  
 MASK LEVEL: NONE

**MOUNT OUT**

1	BLACK	SLEEVE
2	WHITE	RING
3	RED	TIP

**FIBERS**

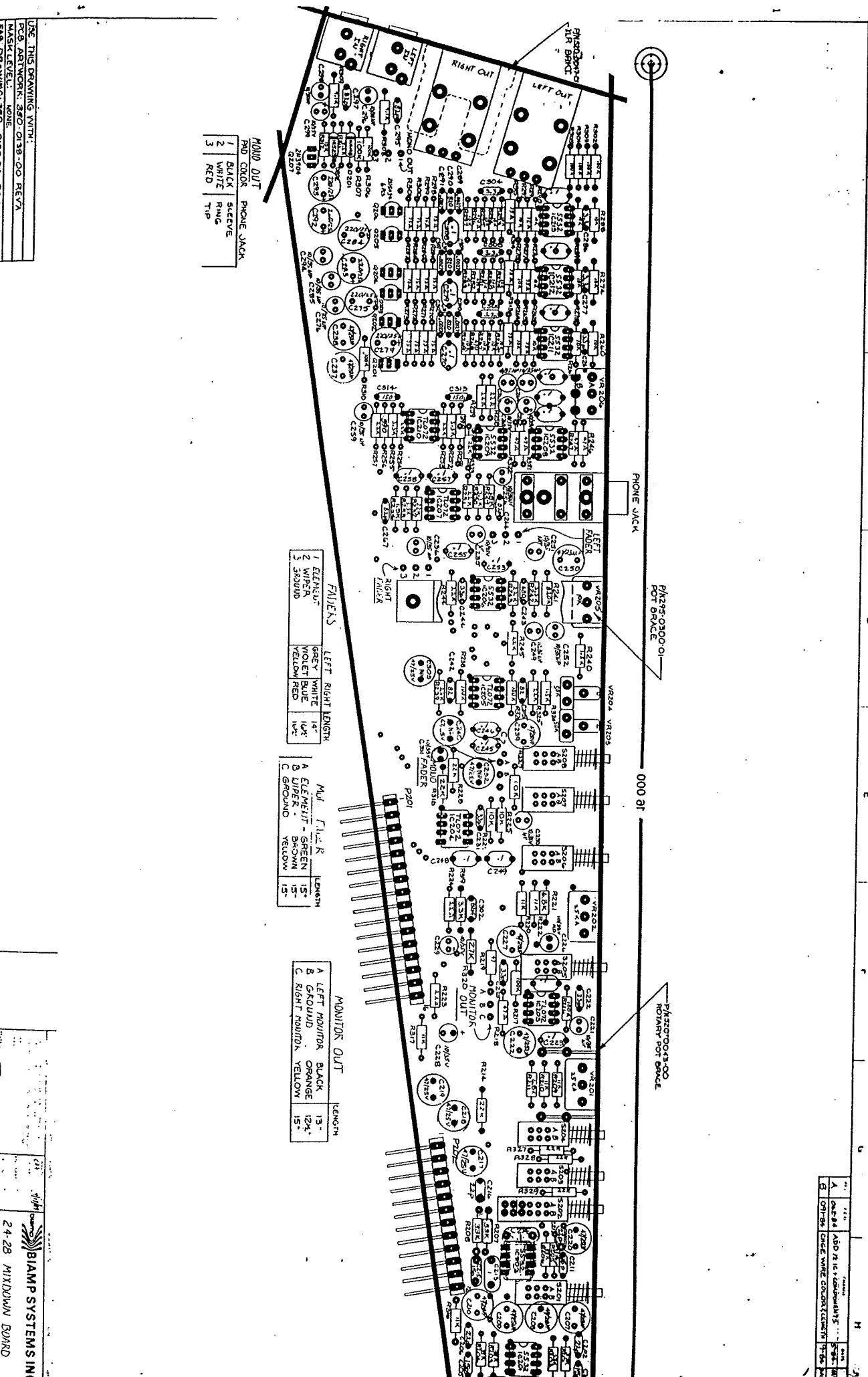
1	ELEMENT	LEFT	RIGHT	LENGTH
2	WIPER	GREY	WHITE	14"
3	GROUND	VIOLET	BLUE	14"
		YELLOW	RED	14"

**MUJ FIBER**

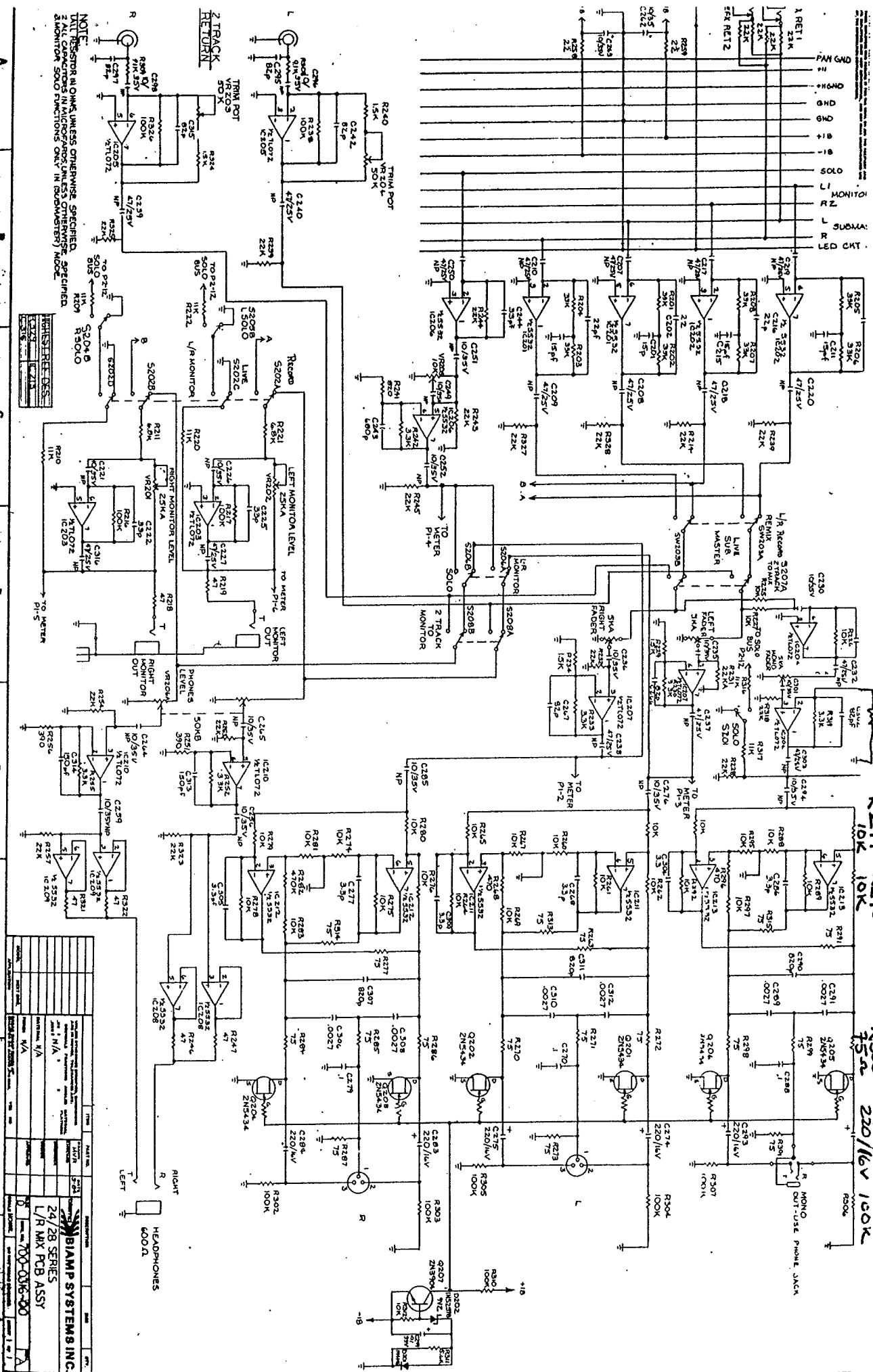
A	ELEMENT - GREEN	15"
B	WIPER - BROWN	15"
C	GROUND - YELLOW	15"

**MONITOR OUT**

A	LEFT MONITOR	BLACK	13"
B	GROUND	ORANGE	12 1/2"
C	RIGHT MONITOR	YELLOW	15"



REV	DATE	BY	CHKD
A	04-24-84	ADD	ADD
B	07-28-84	DATE	DATE



R320  
1K

R294 10K  
R290 10K

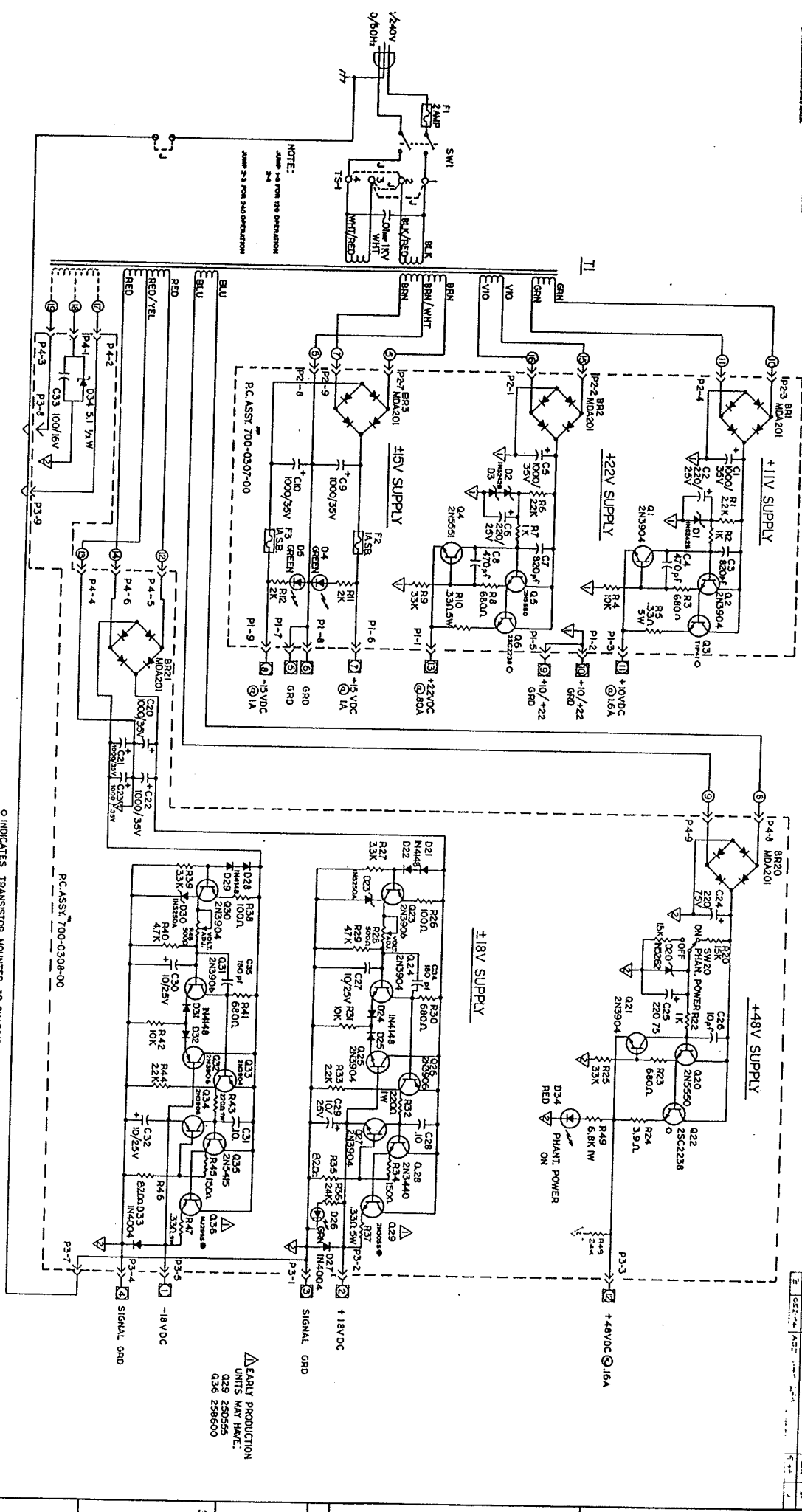
R300 150K  
C292 220/16V 100K

NOTE  
1. ALL RESISTOR VALUES UNLESS OTHERWISE SPECIFIED  
2. MONITOR 500 OHM FUNCTIONS ONLY IN MONITOR MODE  
3. MONITOR 500 OHM FUNCTIONS ONLY IN MONITOR MODE

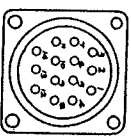
HEADPHONE REF. 0000  
24/28 SERIES  
L/R MAX PCB ASSY

ITEM	DESCRIPTION	QTY	REVISION
1	24/28 SERIES L/R MAX PCB ASSY	1	1
2	24/28 SERIES L/R MAX PCB ASSY	1	1
3	24/28 SERIES L/R MAX PCB ASSY	1	1
4	24/28 SERIES L/R MAX PCB ASSY	1	1

REVISIONS: 1. 8/10/80 - Initial Design  
 2. 8/15/80 - Component Changes  
 3. 8/20/80 - Final Design  
 4. 8/25/80 - Production Design



○ = TRANSFORMER WIRE #  
 □ = CIRCULAR CONNECTOR PIN #



CIRCULAR CONNECTOR

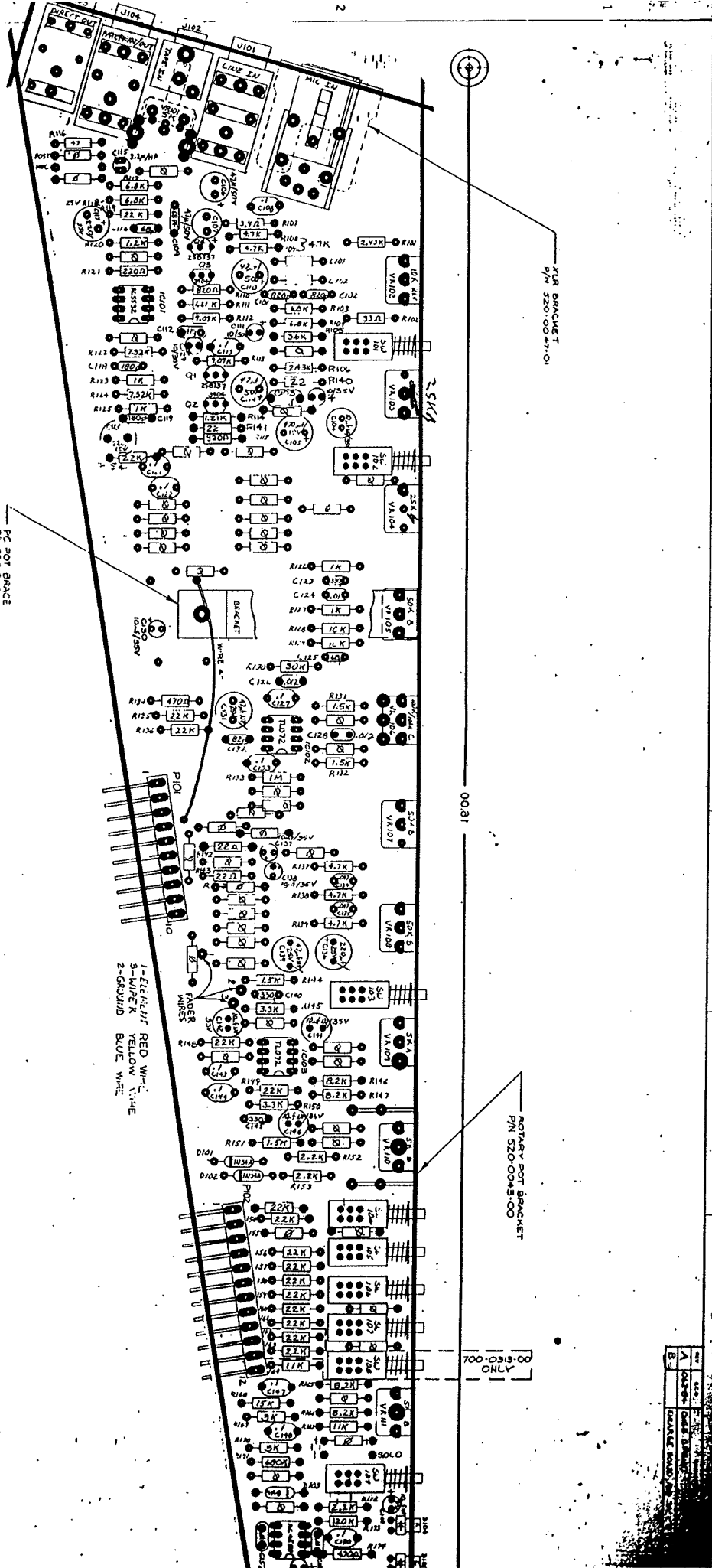
○ INDICATES TRANSISTOR MOUNTED TO CHASSIS FOR HEAT SINKING  
 ● INDICATES TRANSISTOR MOUNTED TO EXTERNAL HEATSINK

REV	DATE	DESCRIPTION
1	8/10/80	Initial Design
2	8/15/80	Component Changes
3	8/20/80	Final Design
4	8/25/80	Production Design

BIAMP SYSTEMS INC.  
 POWER SUPPLY 80/42  
 SCHEMATIC DIAGRAM

△ EARLY PRODUCTION UNITS MAY HAVE:  
 Q29 250555  
 Q36 258600

REV	DATE	DESCRIPTION
1	8/10/80	Initial Design
2	8/15/80	Component Changes
3	8/20/80	Final Design
4	8/25/80	Production Design



PC 20T BRACKET  
P/N 295-0300-01

ROTARY PORT BRACKET  
P/N 290-0044-01

700-0318-00  
ONLY

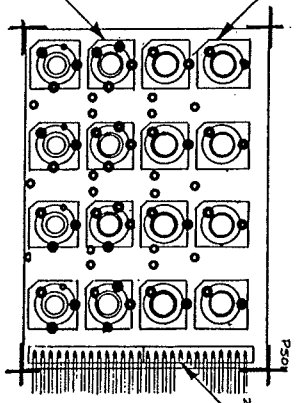
ROTARY PORT BRACKET  
P/N 520-0043-00

1-EL-ELECT RED WH.  
2-WIRE YELLOW WH.  
3-GROUND BLUE WH.  
4-RES WHITE

Blamp Systems II  
 Duplit Module 24-28  
 791-0381-00  
 791-0382-00  
 791-0383-00  
 791-0384-00  
 791-0385-00  
 791-0386-00  
 791-0387-00  
 791-0388-00  
 791-0389-00  
 791-0390-00  
 791-0391-00  
 791-0392-00  
 791-0393-00  
 791-0394-00  
 791-0395-00  
 791-0396-00  
 791-0397-00  
 791-0398-00  
 791-0399-00  
 791-0400-00

REV	DATE	DESCRIPTION
1		INITIAL RELEASE
2		REVISION
3		REVISION
4		REVISION
5		REVISION
6		REVISION
7		REVISION
8		REVISION
9		REVISION
10		REVISION

THIS DRAWING IS THE PROPERTY OF BIAAMP SYSTEMS INC. AND MUST BE RETURNED TO THE DRAWING OFFICE IMMEDIATELY UPON COMPLETION OF THE WORK. IT IS NOT TO BE REPRODUCED OR TRANSMITTED IN ANY FORM OR BY ANY MEANS, ELECTRONIC OR MECHANICAL, INCLUDING PHOTOCOPYING, RECORDING, OR BY ANY INFORMATION STORAGE AND RETRIEVAL SYSTEM. THE COMPANY ASSUMES NO LIABILITY FOR DAMAGES OF ANY KIND ARISING FROM THE USE OF THIS DRAWING. THE COMPANY ASSUMES NO LIABILITY FOR DAMAGES OF ANY KIND ARISING FROM THE USE OF THIS DRAWING.



P/N 320-0031-00 (6)  
JACK PC RTS SIW NI13BPC

P/N 320-0030-00 (6)  
JACK PC TS NI11PC

FN 322-0149-00 (2)  
HDR PC, 1000UL, 14 PIN

REV.	E.Q.	CHANGED	DATE	BY
------	------	---------	------	----

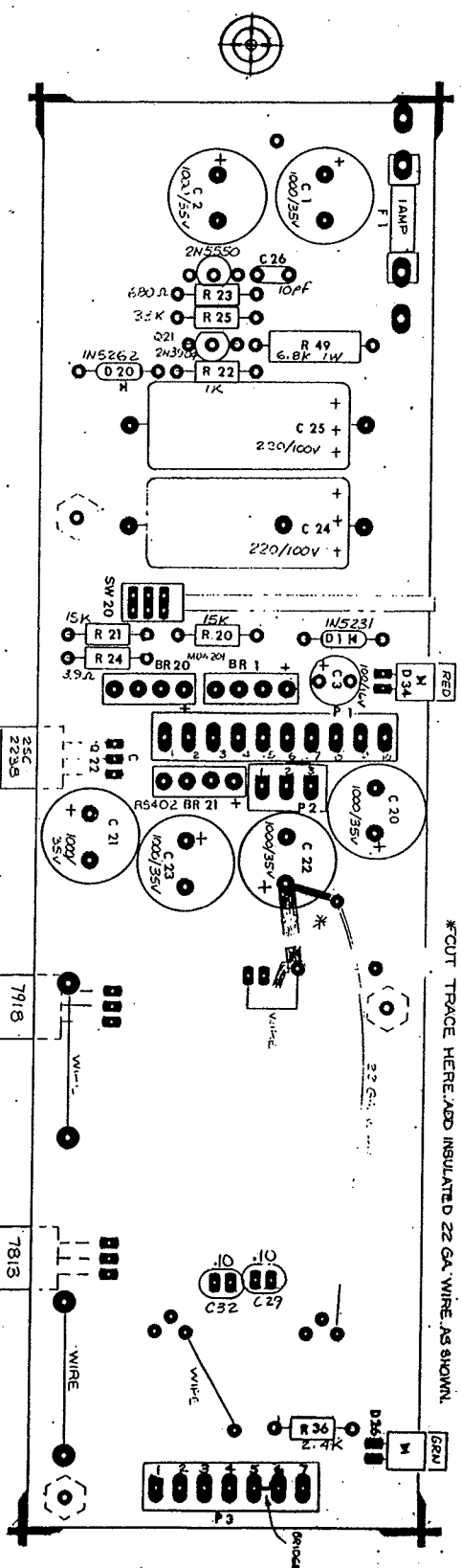
MODEL	NET DWG	APPROVED	DATE	BY
APPLICATION				
DATE OF ORIGINAL SPECIFICATION, SUBMISSION, ORIGINAL FUNCTION NUMBER, MATERIAL, REV.	ITEM	DATE NO.	DATE	BY
MATERIAL: N/A				
FINISH: N/A				
APPROVED				
DATE				
SCALE: 1:1				
DO NOT SCALE DRAWING				
SHEET 1 OF 1				

**BIAAMP SYSTEMS INC.**  
28 SERIES SUB 5-8 JACK PCB ASSX

1 2 3 4

A B C D

These drawings are the property of Biam Systems Inc. and should not be reproduced or transmitted in any form or by any means, electronic, mechanical, photocopying, recording, or by any information storage and retrieval system, without the prior written permission of Biam Systems Inc. All rights reserved.



CONNECTOR P.A. ASSIGNMENT

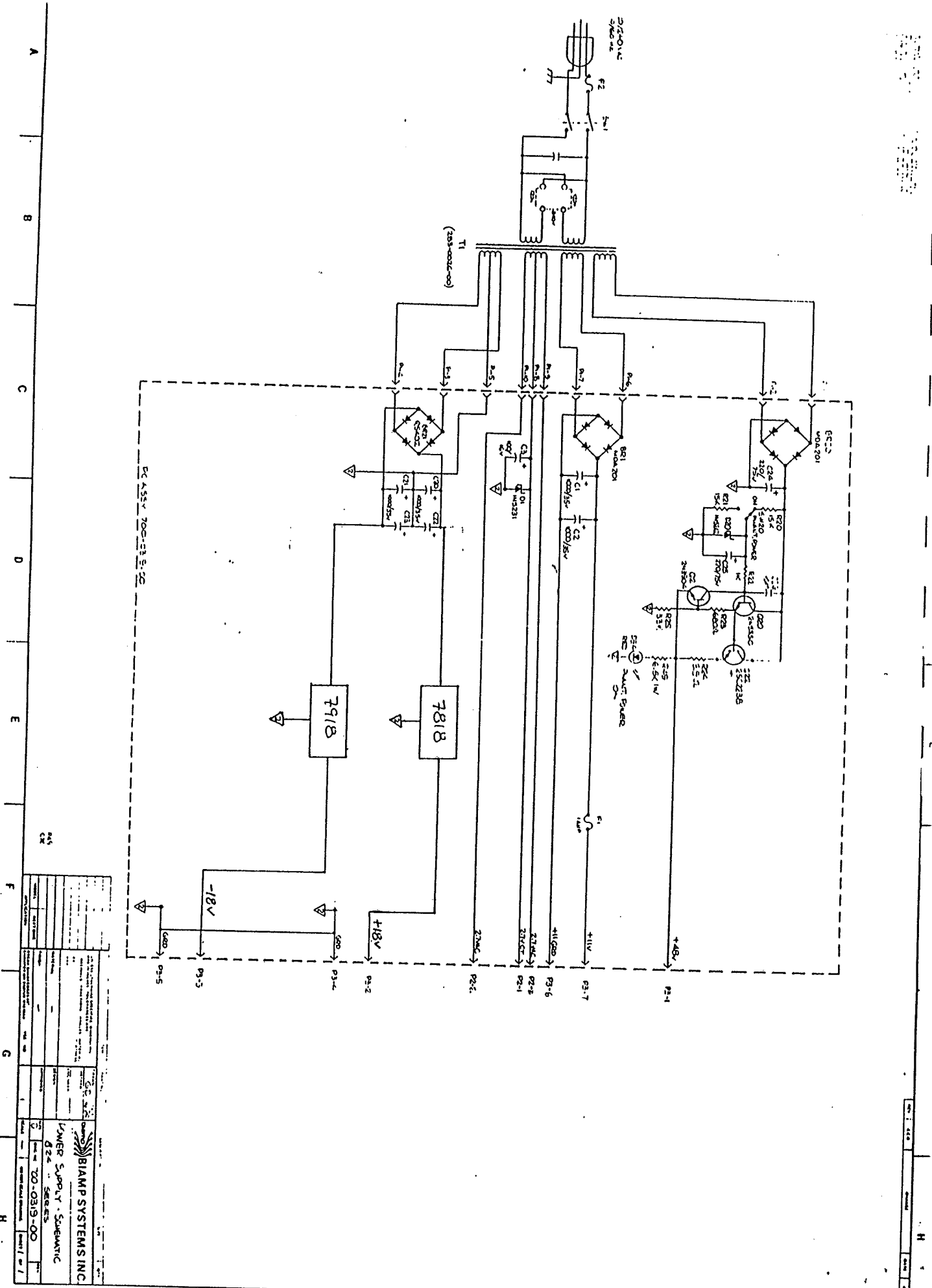
P1 (INPUT) (LFMG #285-0026-00)	P2 (OUTPUT)	P3 (OUTPUT)
P1-1 SEC.1 (33.5V)	P2-1 C.T. SEC.3 27V CT	P3-1 +45V
P1-2 SEC.1	P2-2 SEC.3	P3-2 +15V
P1-3 SEC.4 (472V C.T.)	P2-3 SEC.2	P3-3 -15V
P1-4 SEC.4		P3-4 SHIELD GROUND
P1-5 SEC.4 C.T.		P3-5 SHIELD GROUND
P1-6 SEC.2 (807V)		P3-6 +11V GROUND
P1-7 SEC.2		P3-7 +11V
P1-8 SEC.3 C.T. (727V)		
P1-9 SEC.3		
P1-10 SEC.3		

THESE 3 CORNER NUTS MOUNTED TO HEAT SINK DURING ASSEMBLY

\*CUT TRACE HERE. ADD INSULATED 22 GA. WIRE AS SHOWN.

DATE	REV.	BY	CHKD.
BIAAMP SYSTEMS INC. PC ASSEMBLY - POWER SUPPLY 24/28 SER. 1.5 DATE NO 701-0317-00 SCALE 2X DO NOT SCALE DRAWING			





BIAMP SYSTEMS INC.	
POWER SUPPLY - SCHEMATIC	
REV	02
DATE	20-03-19-00
DESIGNED BY	
CHECKED BY	
APPROVED BY	
DATE	
SCALE	
PROJECT NO.	
REV	
DATE	
BY	
CHECKED BY	
APPROVED BY	
DATE	
SCALE	
PROJECT NO.	

A | B | C | D | E | F | G | H