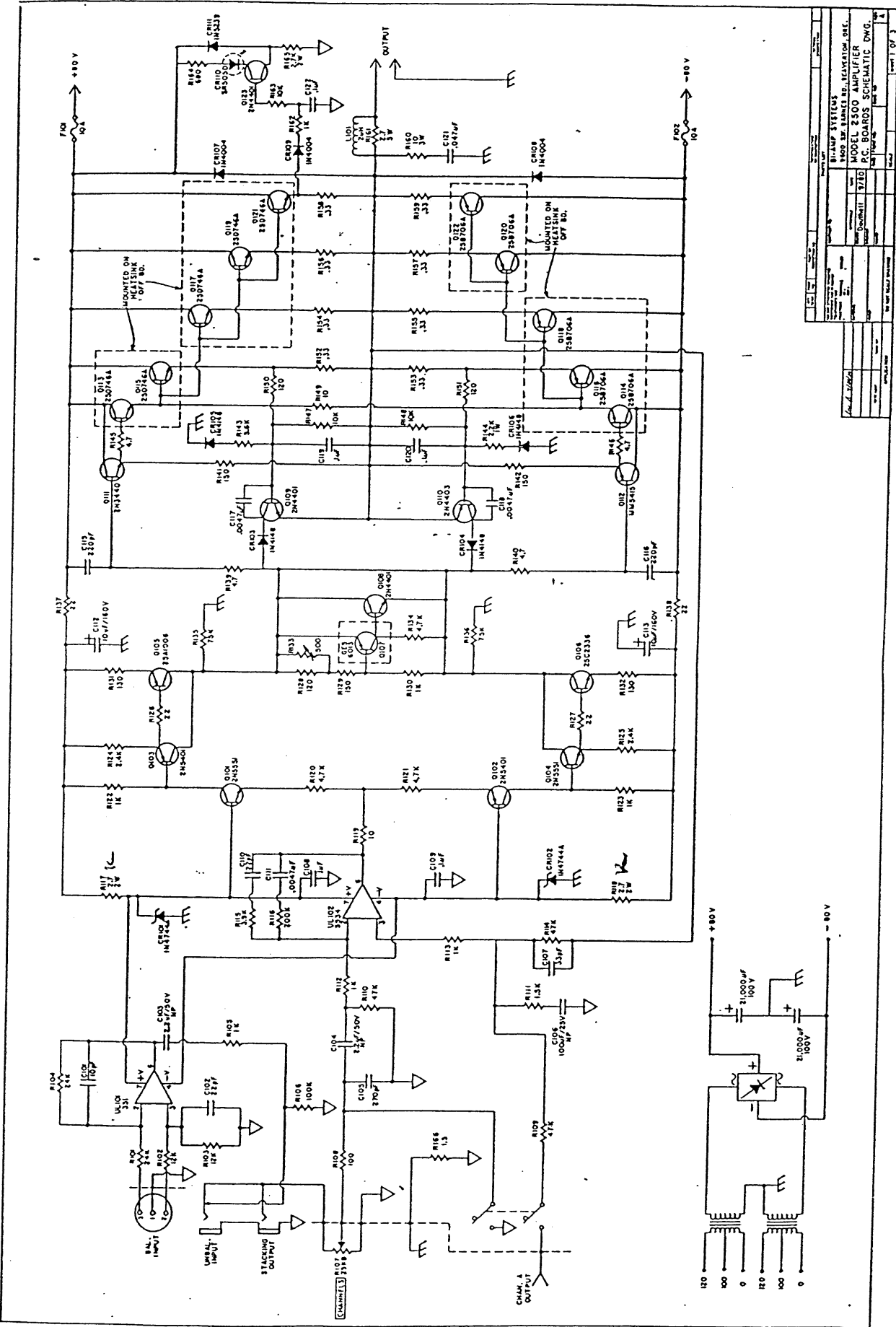


B I A M P

10074 SW Arctic Dr.
Beaverton, OR 97005

Tel: 503-641-7287
Fax: 503-626-0281

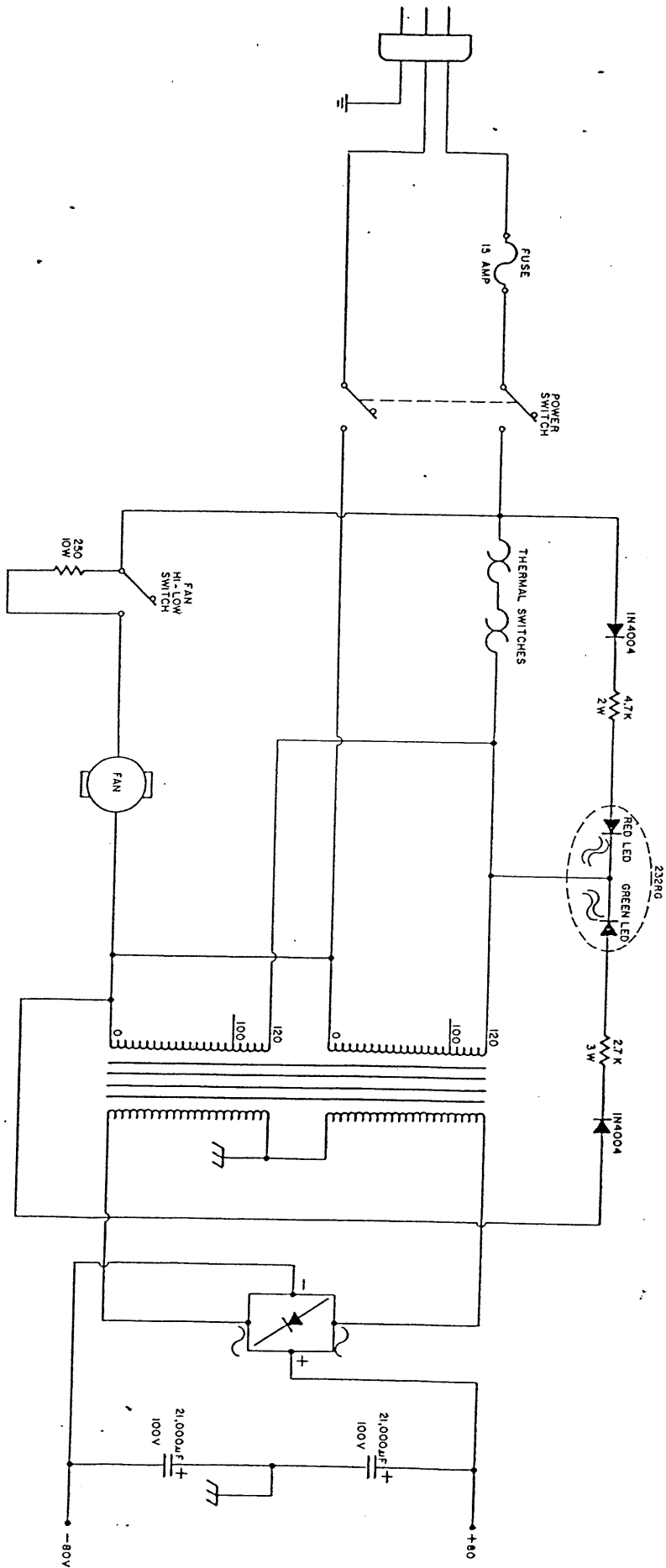
**2500
Schematic**



REV. NO.		DATE		BY	
1					

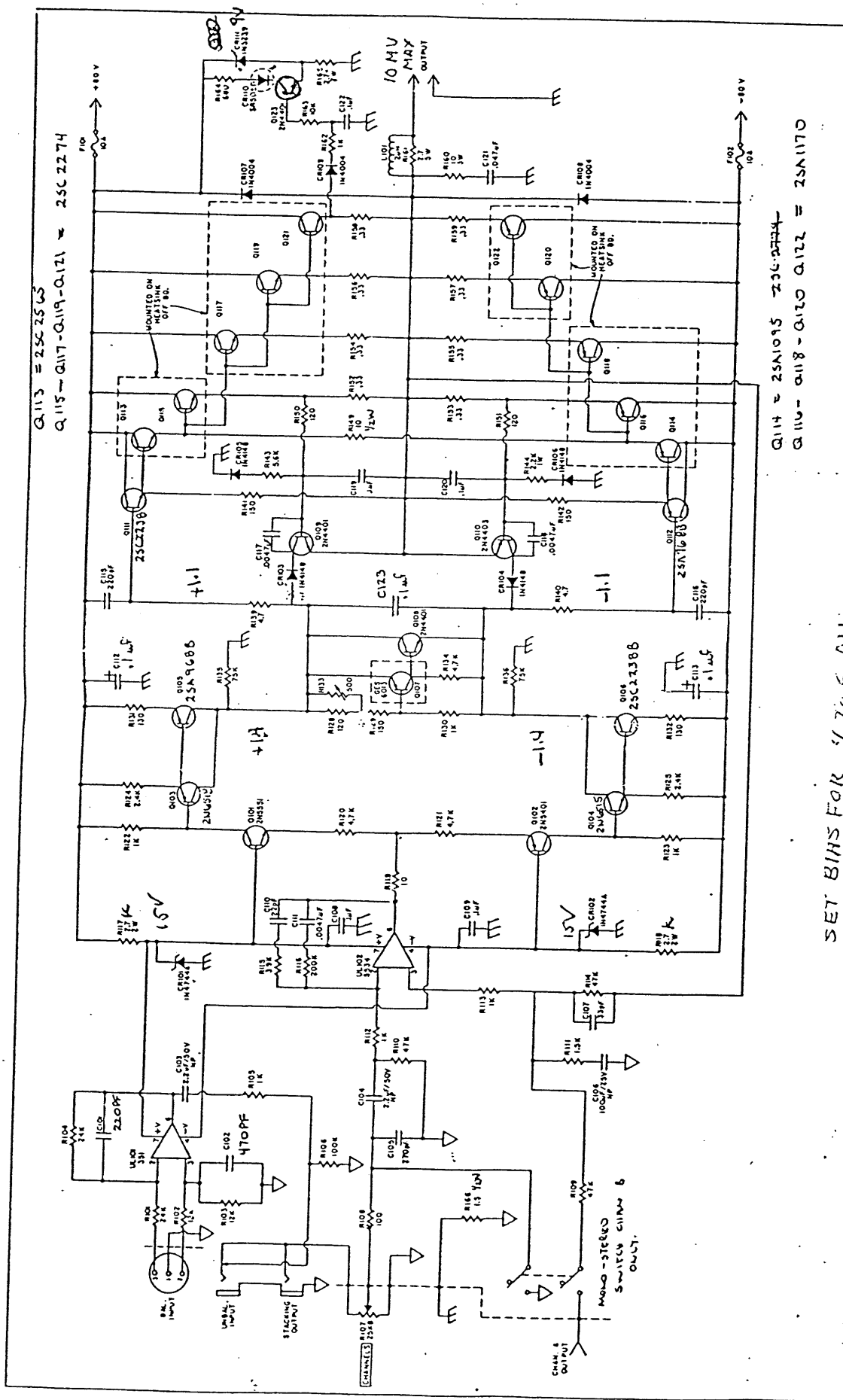
PROJECT NO.	1780
DATE	
DESIGNED BY	
CHECKED BY	
APPROVED BY	

BI-AMP SYSTEMS	
3000 W. ALABAMA, HOUSTON, TEX.	
MODEL 2500 AMPLIFIER	
P.C. BOARD SCHEMATIC DWG.	
DRAWN BY	
CHECKED BY	
DATE	
SCALE	
SHEET NO.	
TOTAL SHEETS	



MODEL 2500 AMPLIFIER POWER SUPPLY SCHEMATIC DWG.	
DATE	9/7/80
DESIGNED BY	DOUGLAS
CHECKED BY	
APPROVED BY	
REV. NO.	3
REV. DATE	
REV. DESCRIPTION	
REV. 1	
REV. 2	
REV. 3	

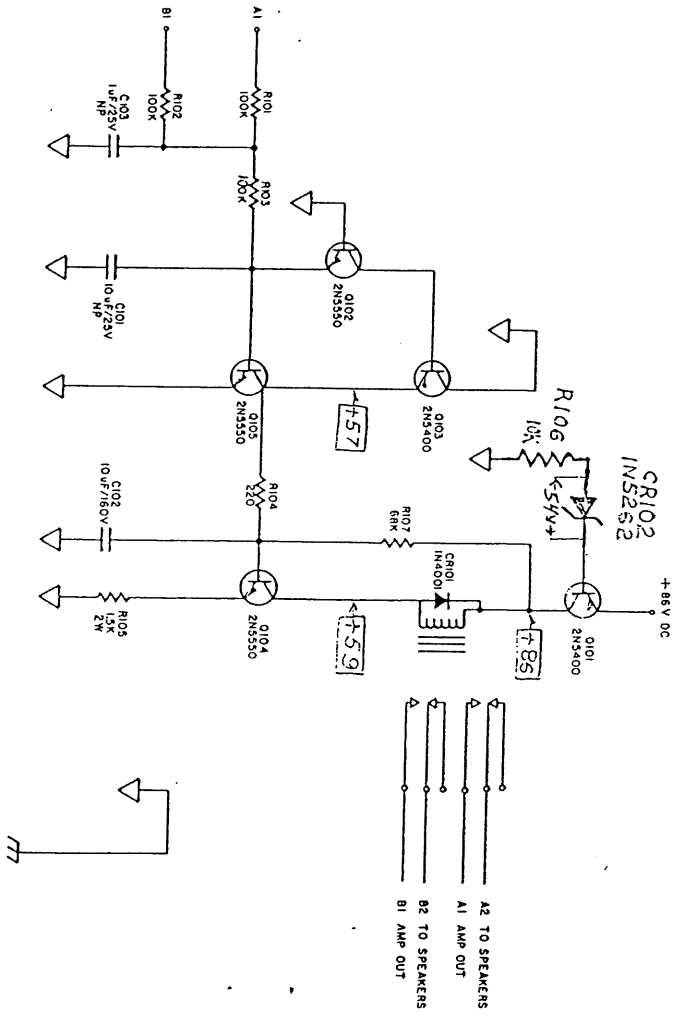
BI-AMP SYSTEMS
 9600 S.W. BARNES RD., BEAVERTON, ORE.
 DATE: 9/7/80
 MODEL: 2500 AMPLIFIER
 POWER SUPPLY SCHEMATIC DWG.



SET BINS FOR 477.6 A10

REVISION	0	5-31-81	JP
DESIGNED BY			
CHECKED BY			
DATE			
MICAMP SYSTEMS 1000 W. HANCOCK BLVD. EXTENSION, BIL. MODEL 2500 AMPLIFIER PC BOARD SCHEMATIC DWG.			

PART #	TC/60	TC/120
CR102	1W50V 20V	27V 1W25V
R107	33K	47K
R105	390	820



PROTECTION CIRCUIT BOARD MODEL 2300 2300-100-0000		DATE: 10/21/70 REV: 1
DESIGNED BY: [Blank] DRAWN BY: [Blank]	CHECKED BY: [Blank] APPROVED BY: [Blank]	PART NO: 2300-100-0000 QUANTITY: 2 OF 3
BIRD SYSTEMS 1700 N. AVENUE, S.W., BEAVERTON, ORE.		



Q111



Q112



Q109

Q110



CR107



CR108



Q108



Q107 UNDERNATH



Q105



Q106



Q103

Q104



Q101



Q102



UL101



UL102



CR109



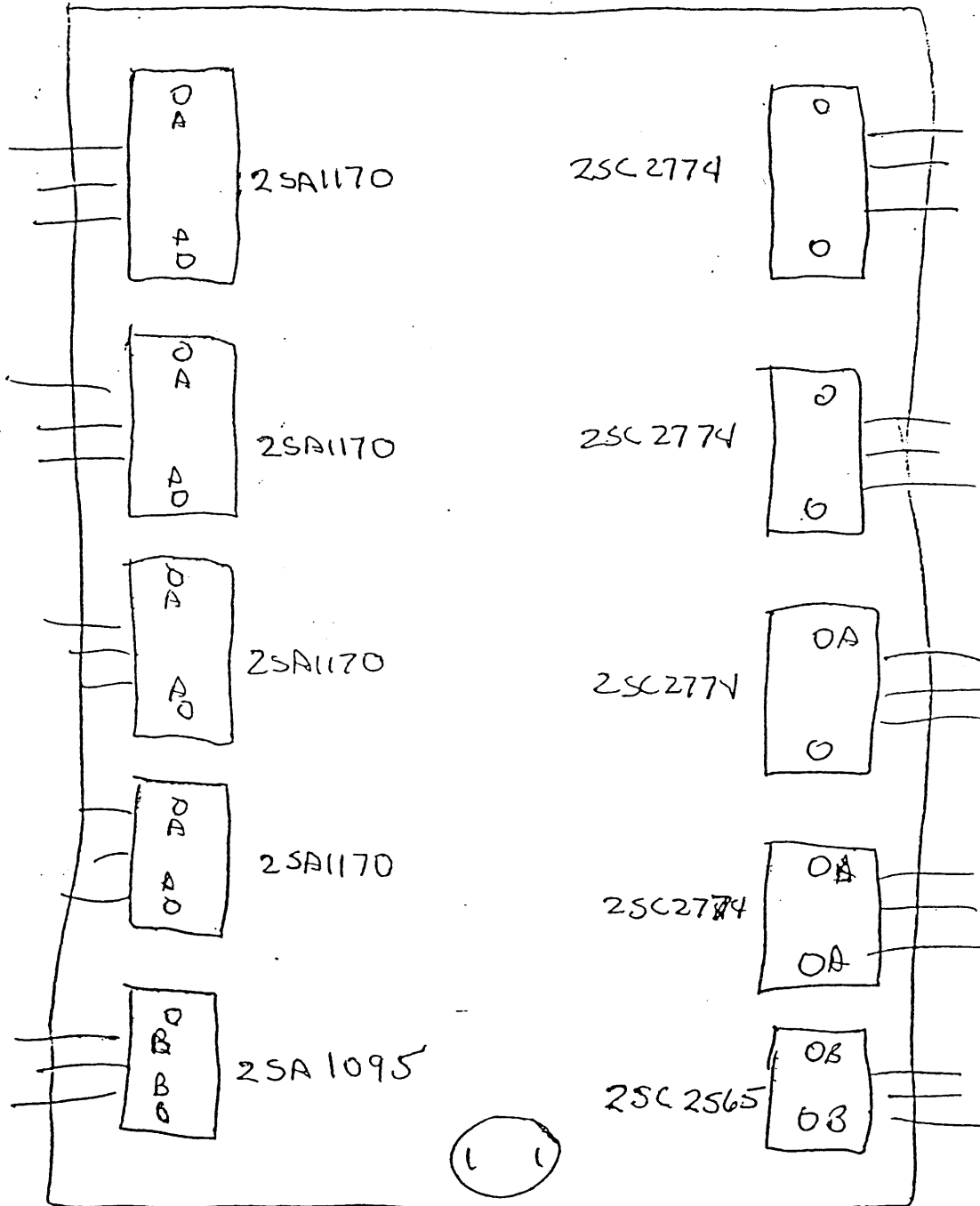
CR110



Q123



TRANSISTOR LAYOUT 2500 B
FOR BOTH CHANNELS



1 1
THERMAL
CUT OUT
SWITCH.

A = 525-0002-00
4/40 x 7/16 MS

B = 525-0045-00
4/40 x 3/8 MS