

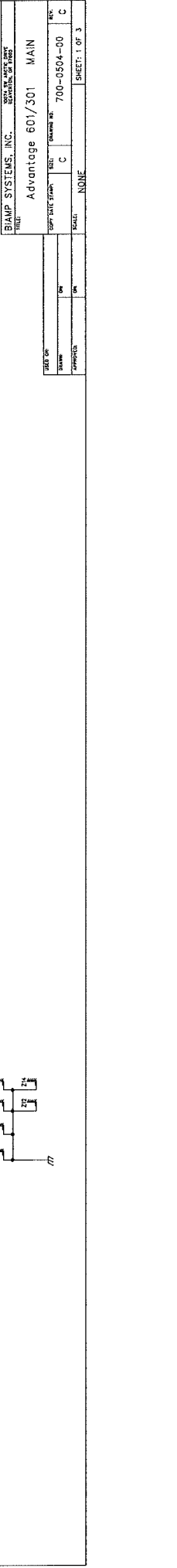
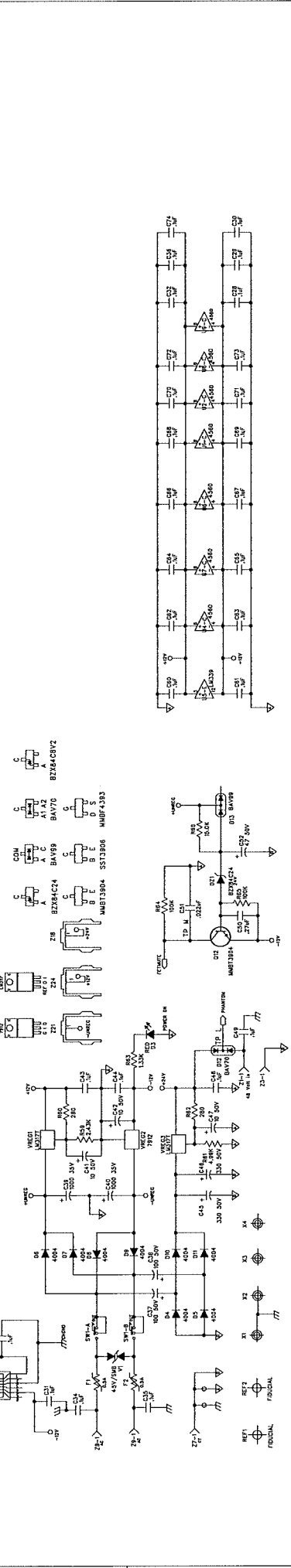
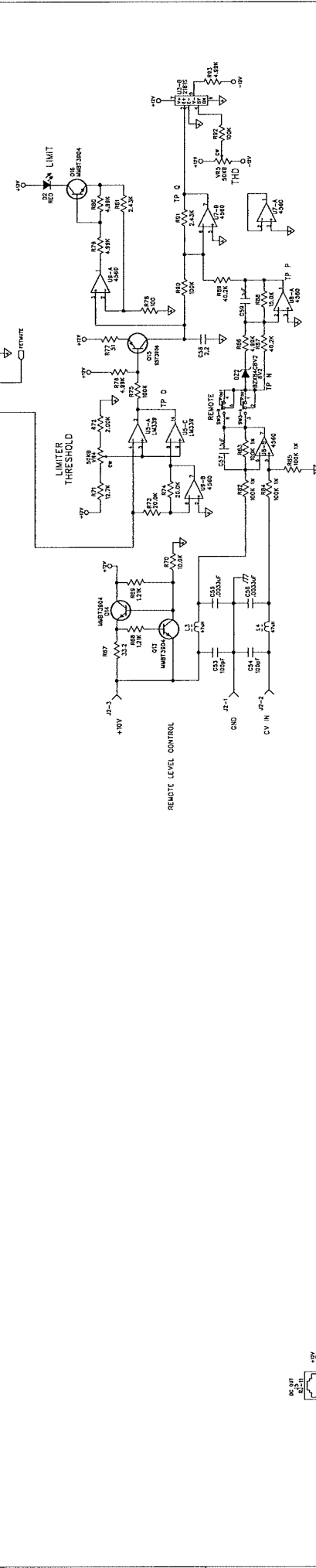
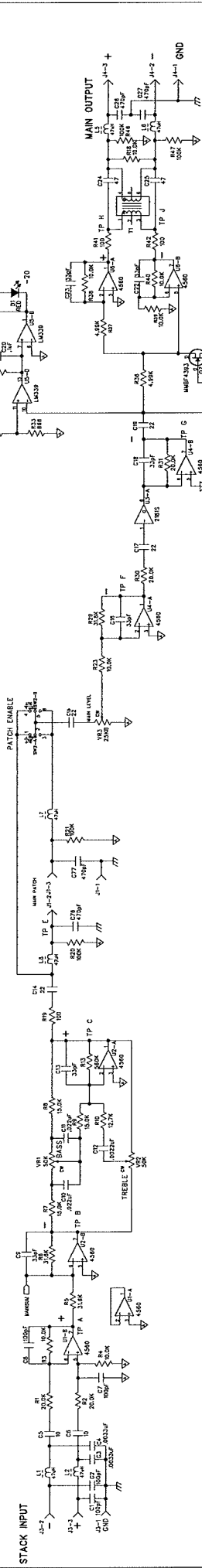
**301/601**

# **Schematic Manual**

**B I A M P<sup>®</sup>**  
—  
S Y S T E M S

**10074 SW Arctic Drive      Beaverton, OR 97005      503-641-7287**

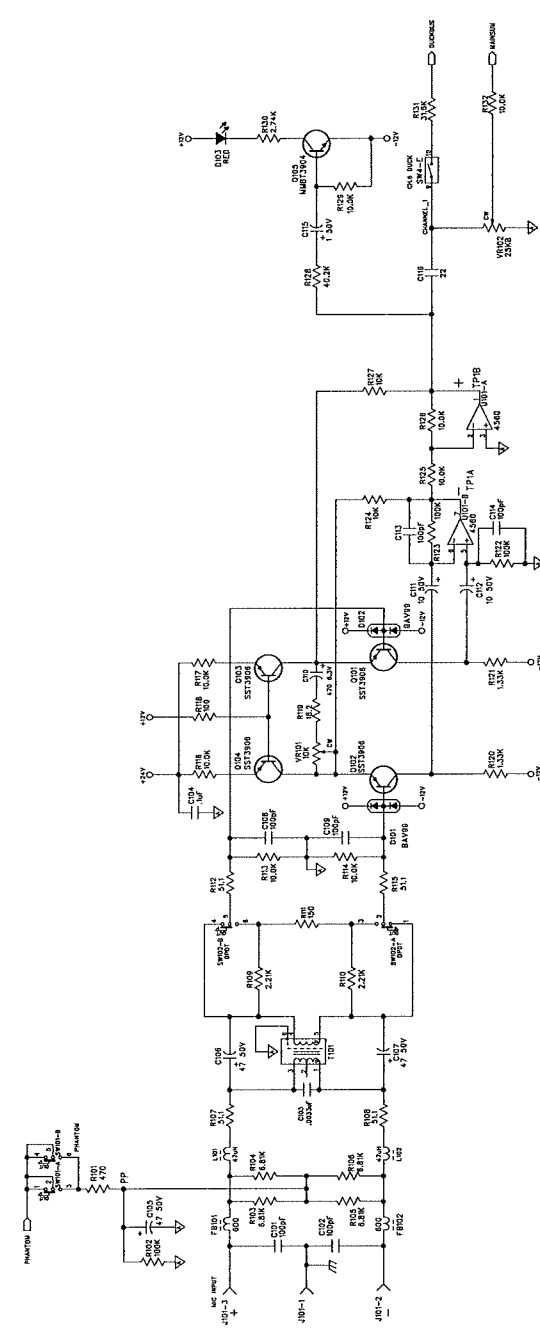
REVISED	DESCRIPTION	DATE	BY
C	099-01	12/27/62	SK
B	REWORKED RECORDS, WIRE #1 NUMBERS		



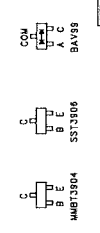
BIAMP SYSTEMS, INC.	700-0504-00	700-0504-00	C	C
MODEL NO.	DATE	REV.	SCALE	SHEET: 1 OF 3
			NONE	

REVISED	DESCRIPTION:	REVISION RECORD	DATE:

1 2 3 4 5 6



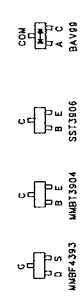
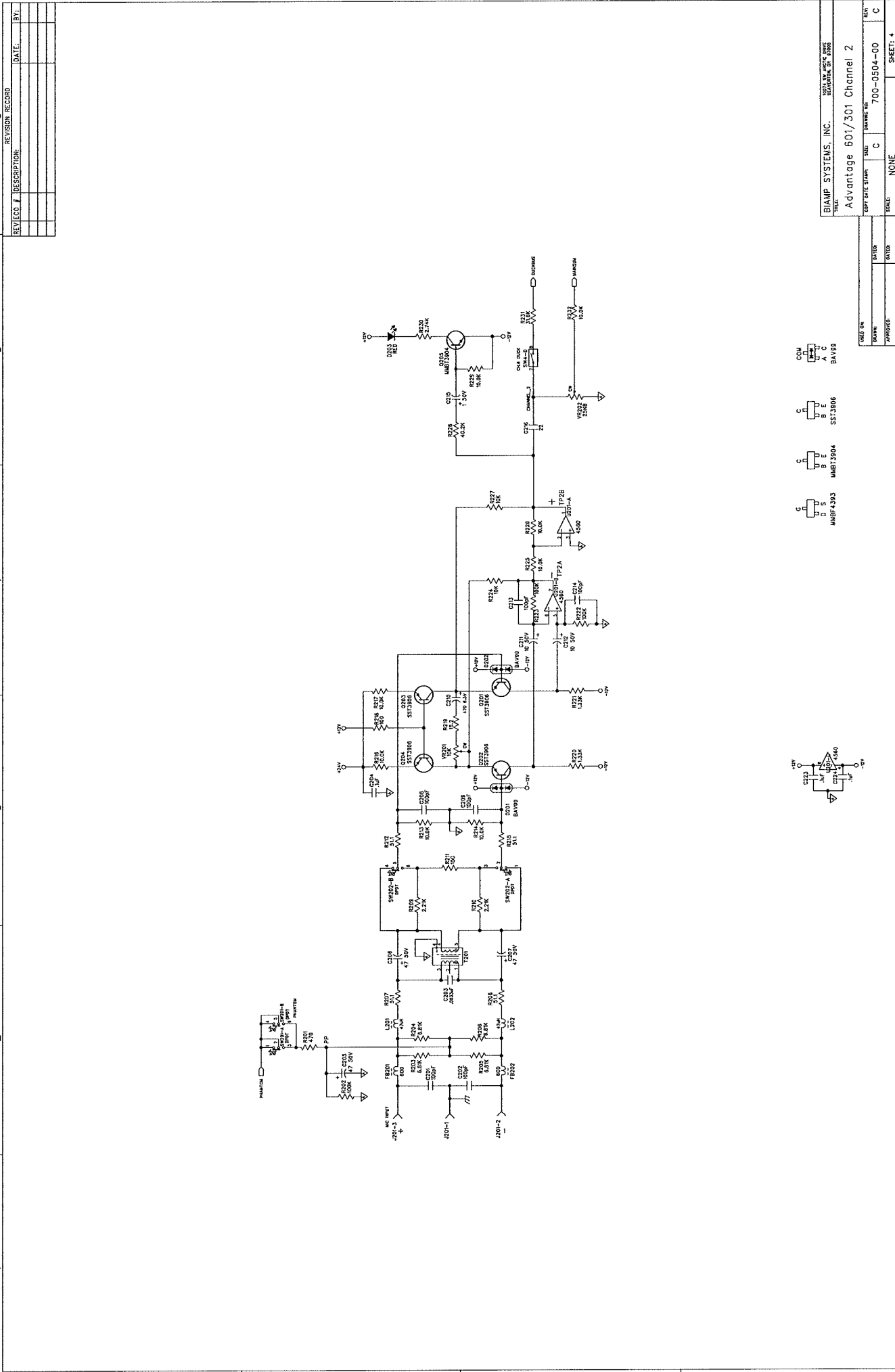
NOTE: Channels 2-5 are identical to Channel 1 except for reference designators. Channel 2 parts start with 200, Channel 3 parts start with 300, etc. For Advantage 301 only ch. 2, 4 and 6 are used.



BIAMP SYSTEMS, INC.	700-0504-00	700-0504-00	700-0504-00
Advantage 601/301 Channel 1	C	C	C
SCALE: NONE	DATE: 1/22/03	DATE: 1/22/03	DATE: 1/22/03
REVISION: DB	REV: 1	REV: 1	REV: 1
PROJECT: DB	SCALE: NONE	SCALE: NONE	SCALE: NONE
SHEET: 2 OF 3	SHEET: 2 OF 3	SHEET: 2 OF 3	SHEET: 2 OF 3

REVISED	DESCRIPTION:	DATE:	BY:

6



BIAMP SYSTEMS, INC.  
 DRAWING NO. 700-3504-00  
 A Advantage 601/301 Channel 2

DATE	BY

REV	700-3504-00	SHEET: 4

DATE	BY

REV	700-3504-00	SHEET: 4

DATE	BY

REV	700-3504-00	SHEET: 4

DATE	BY

REV	700-3504-00	SHEET: 4

REVISED	DESCRIPTION	DATE	BY

6

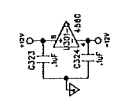
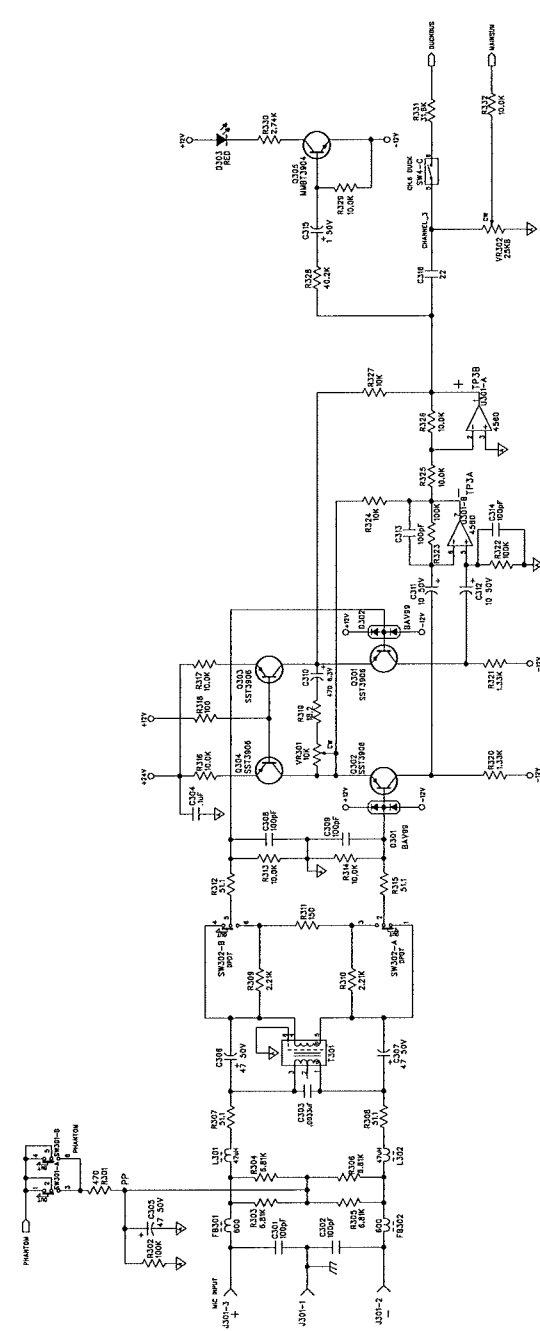
5

4

3

2

1



FILE	BIAMP SYSTEMS, INC.
DATE	1974 MAR 20
PROJECT	ADVANTAGE 601 CHANNEL 3
DESIGNER	
CHECKED	
SCALE	NONE
DRAWING NO.	700-0504-00
REV.	C
SHEET	5

REV. NO.	
DRAWING	
APPRECH	
DATE	

A

B

C

D

REV. NO.	DESCRIPTION	REVISION REQUIRED	DATE	BY:

6

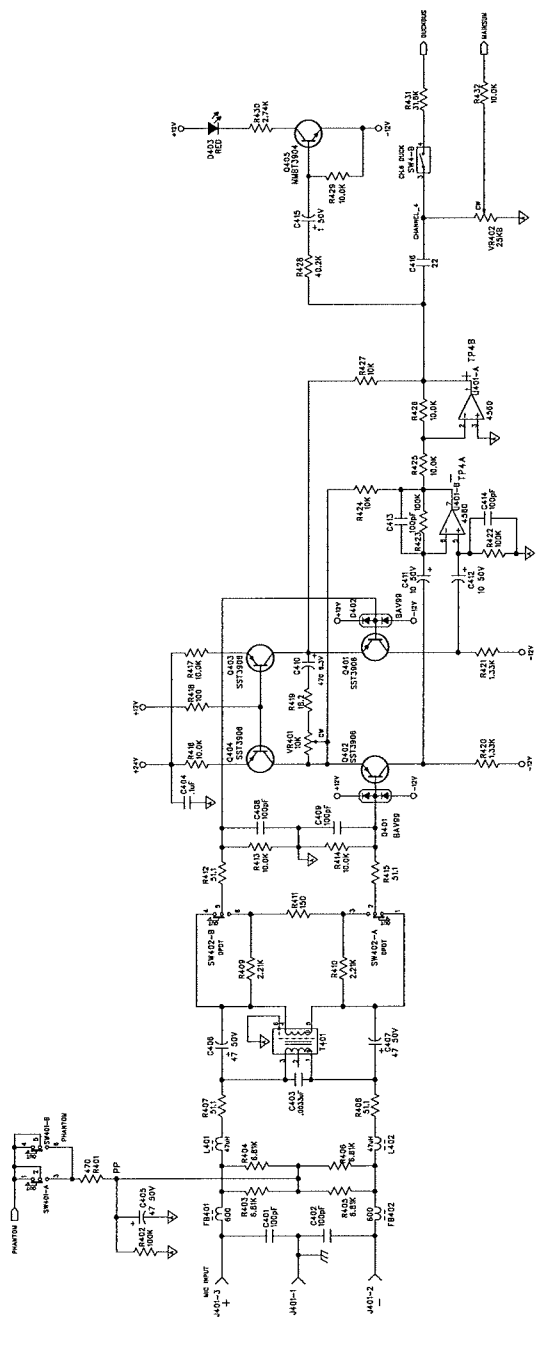
5

4

3

2

1



BIAMP SYSTEMS, INC.	800 W. 4TH ST. SUITE 100	700-0504-00	700-0504-00	700-0504-00
FILE:	Advantage 601/301 Channel 4	SCALE:	NONE	SHEET: 6
DESIGNER:		CHECKED:		
APPROVER:		DATE:		

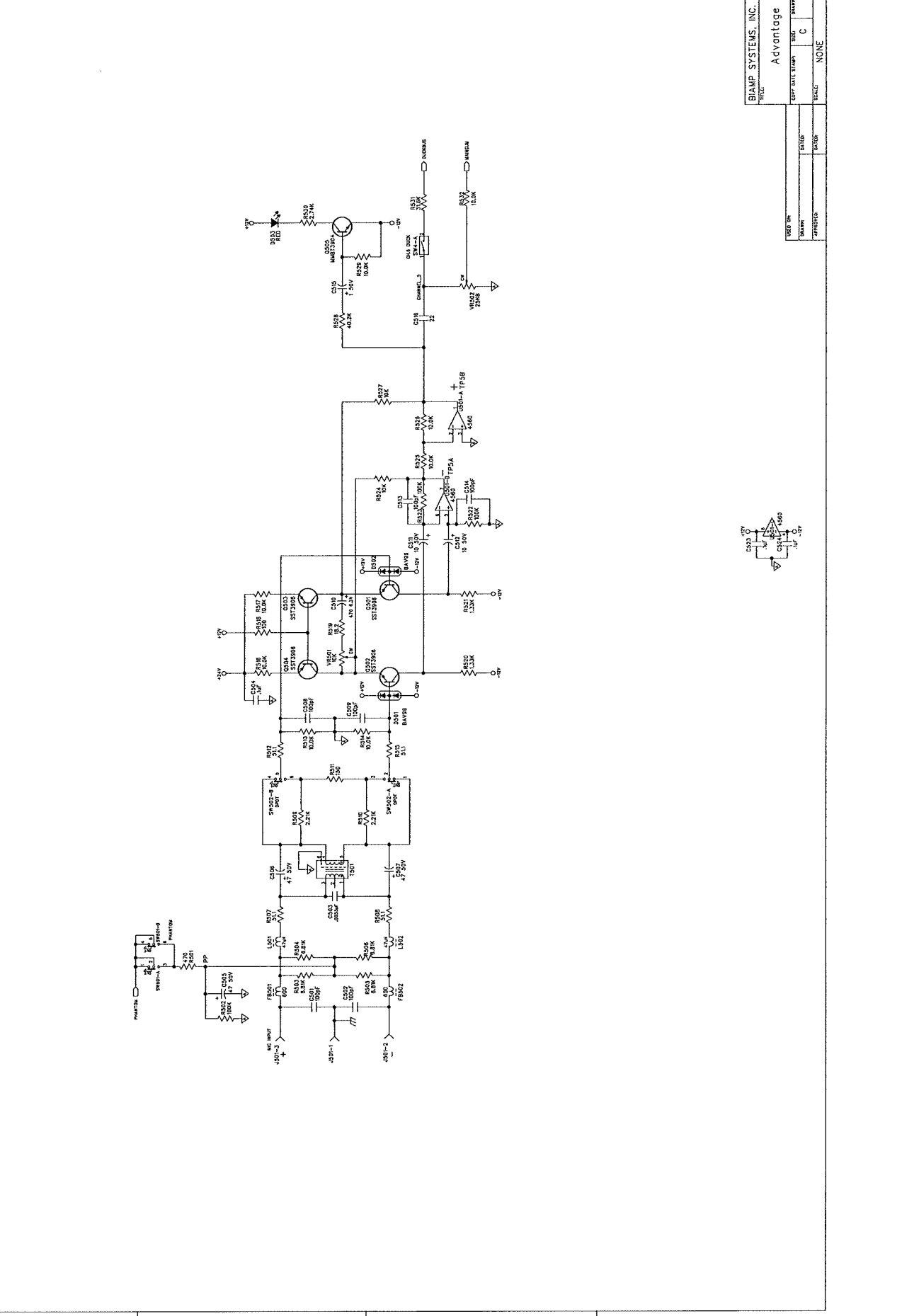
A

B

C

D

REVISED / DESCRIPTION	REVISION RECORD	DATE:	BY:



DESIGNER	CHECKED	DATE
APPROVED	SHEET	OF

BIAMP SYSTEMS, INC.  
 7000 W. WYOMING AVE.  
 WILMINGTON, DE. 19804

Advantage 601 Channel 5  
 PART NO. 700-0504-00  
 SCALE: NONE  
 SHEET: 7

