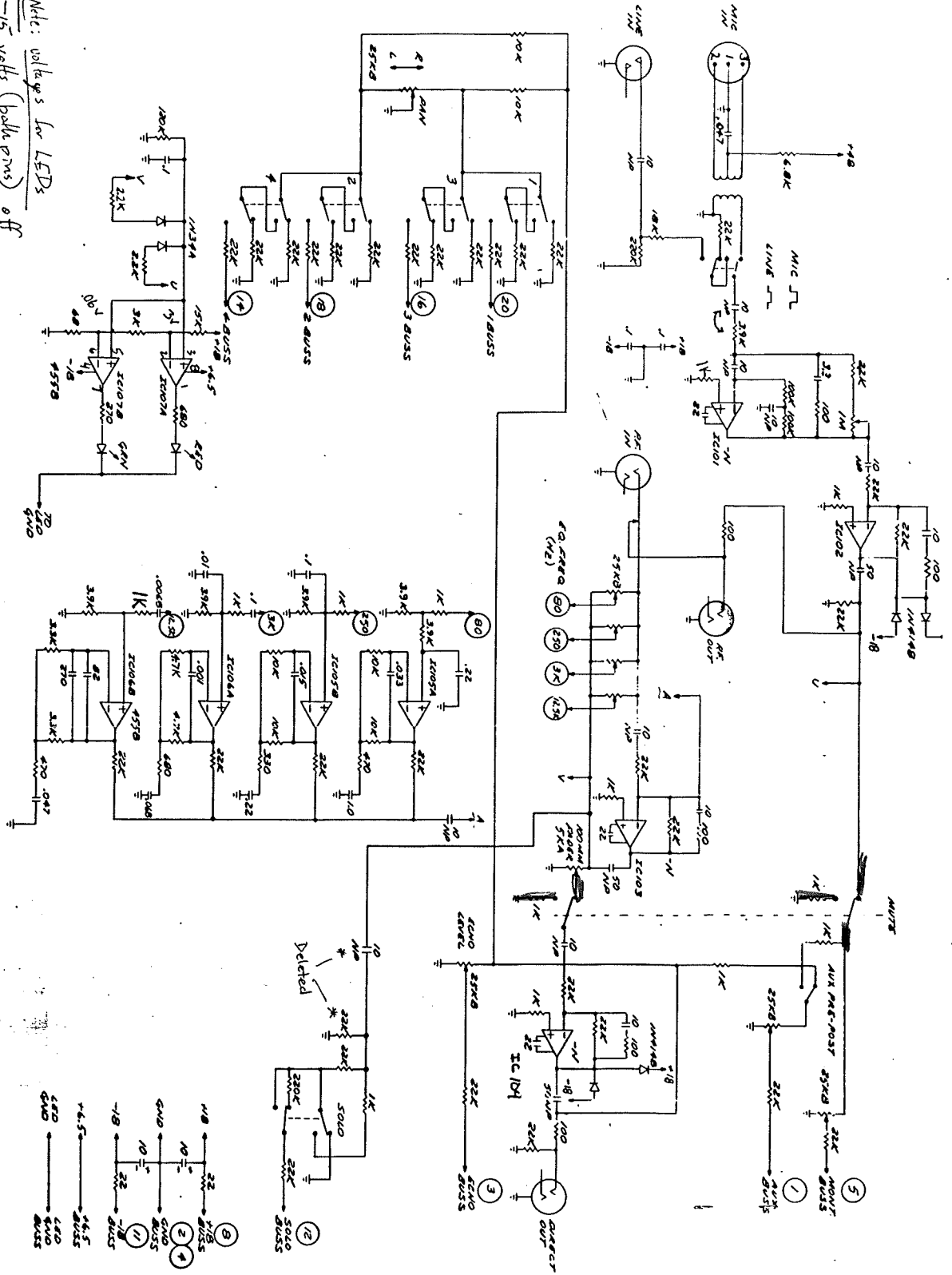
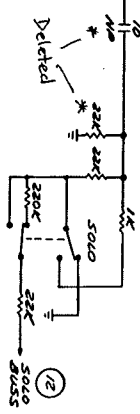
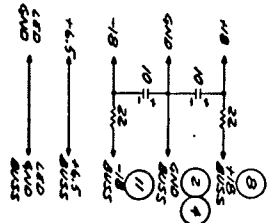


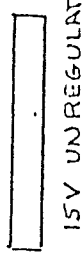
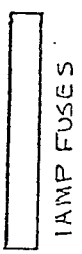
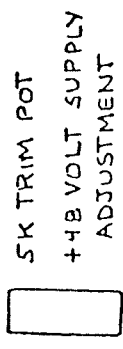
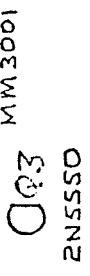
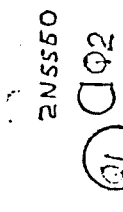
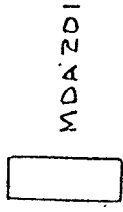
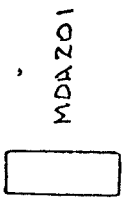
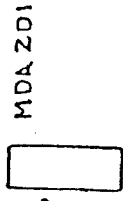
Note: voltages for LEDs
 -15 volts (both pins) off
 +13 volts (pin #1) on signal
 +4 volts (pin #7) on signal input



IC101 SELECT W/533
 (V) REFERS TO REDDOW DATA

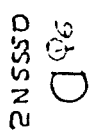
1532 INPUT MODULES 1-12
 1533 INPUT MODULES 1-12



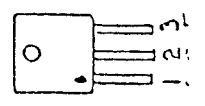


1AMP FUSES

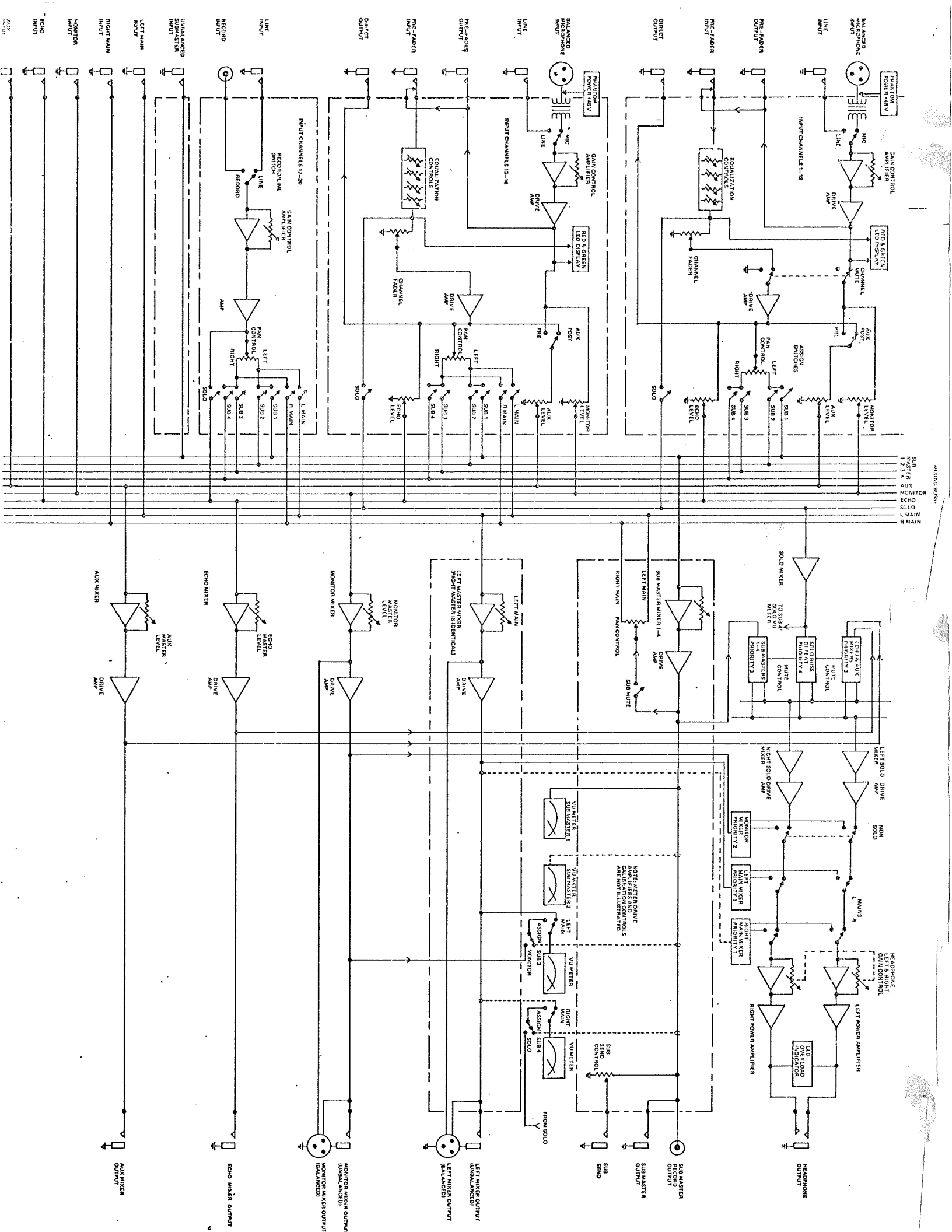
15V UNREGULATED

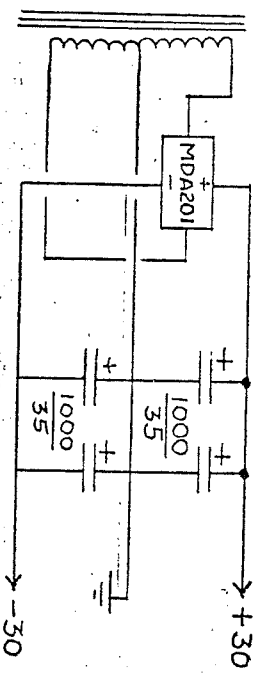
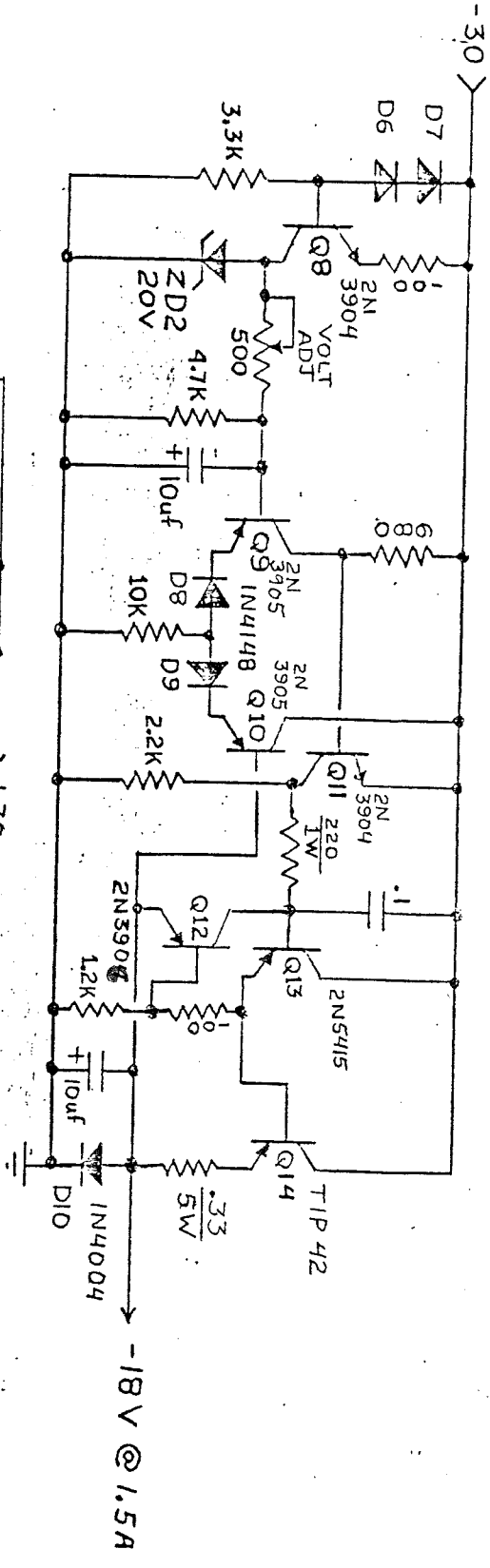
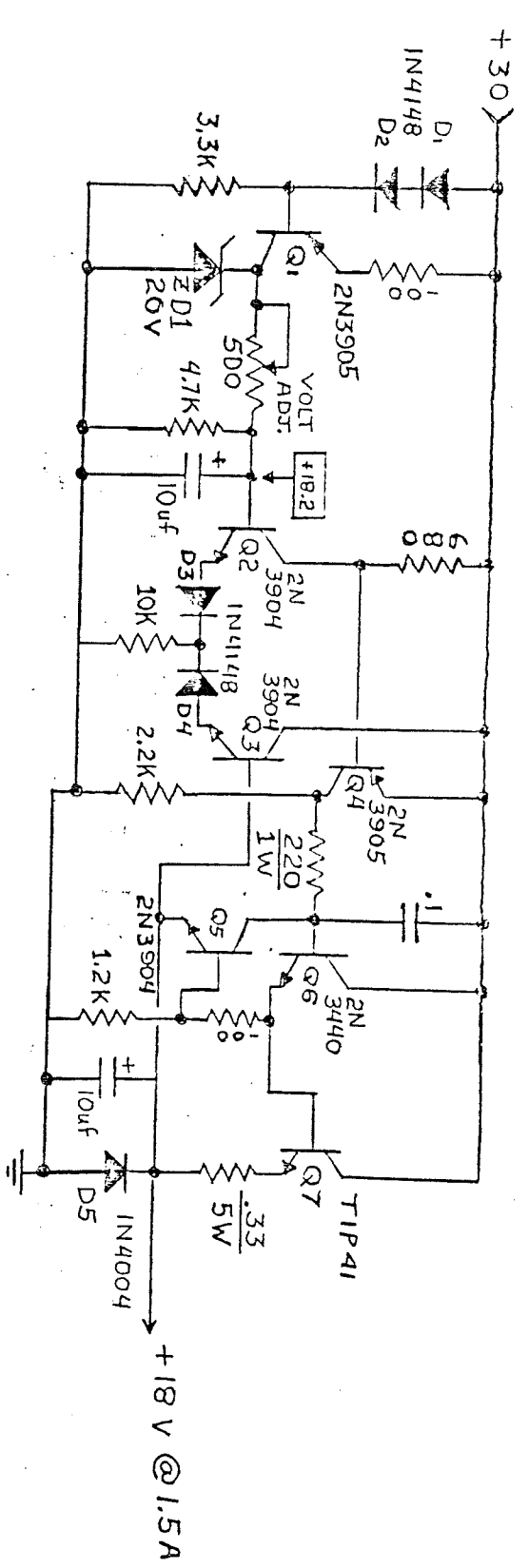


HEAT SINK SEMICONDUCTOR
PIU LAYOUT FRONT VIEW



BIAMP SYSTEMS
MODEL 42 PWR SUPPLY
QC REFERENCE DRAWING
JAN 2 1980
DRAWN BY J DUNCAN
REVISION 1A

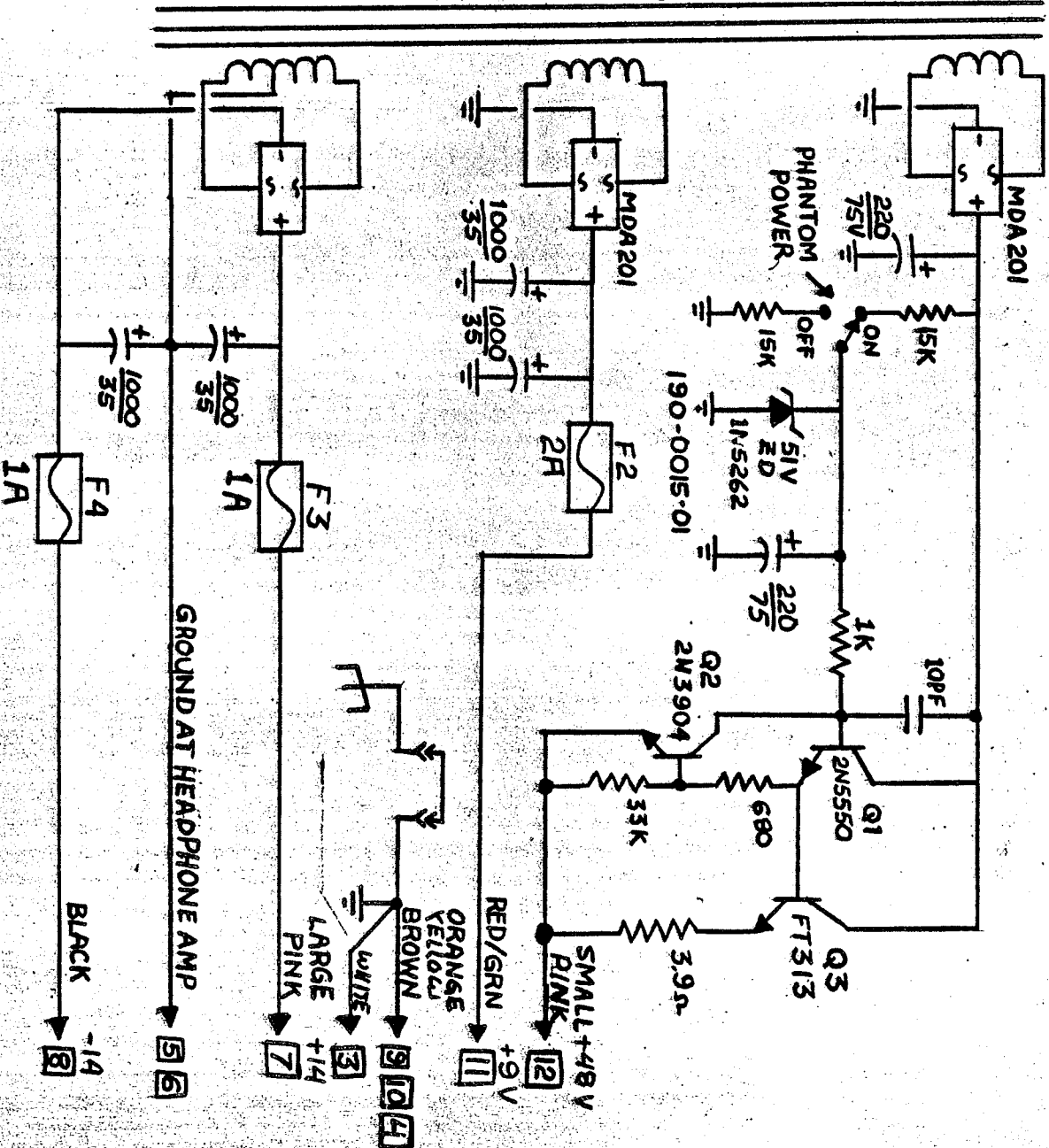
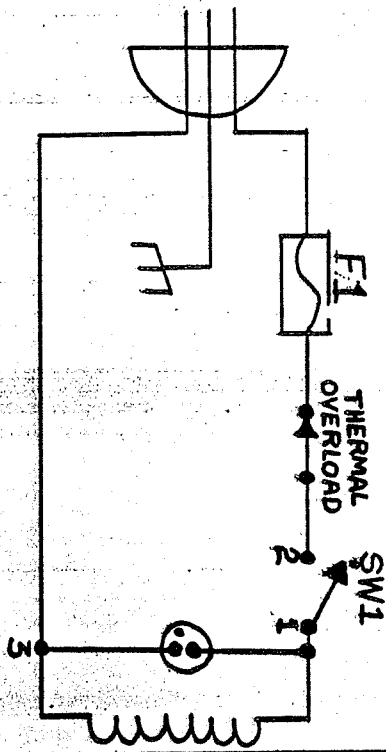




42PS ±18V REG
 1-16-80
 DRAWN BY T.H.

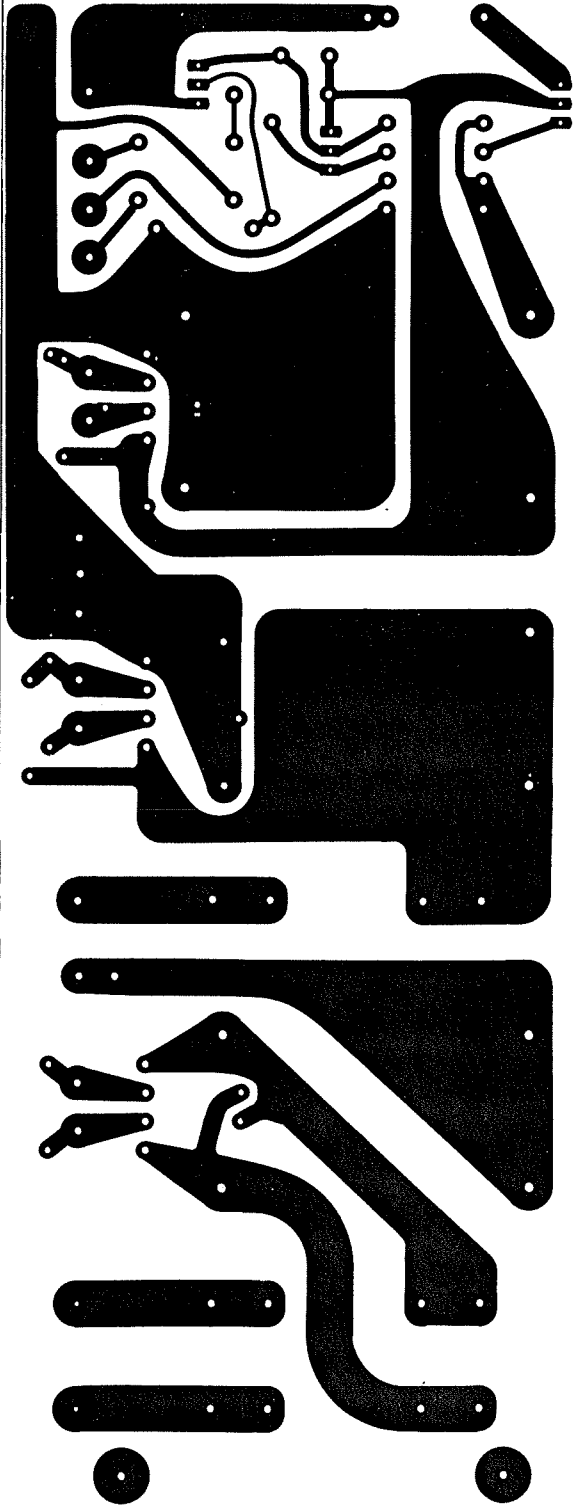
F1 RATING			
100	120	200	240
	A		A

2442 P.S.
DRAWN BY T.H.
2-12-81



+15V REG.
+9 (100)
+4.8 REG

42 PS
380-0053-00
Rev A



+15V
+9
+4.8

42 PS
380-0048-00
Rev A

