

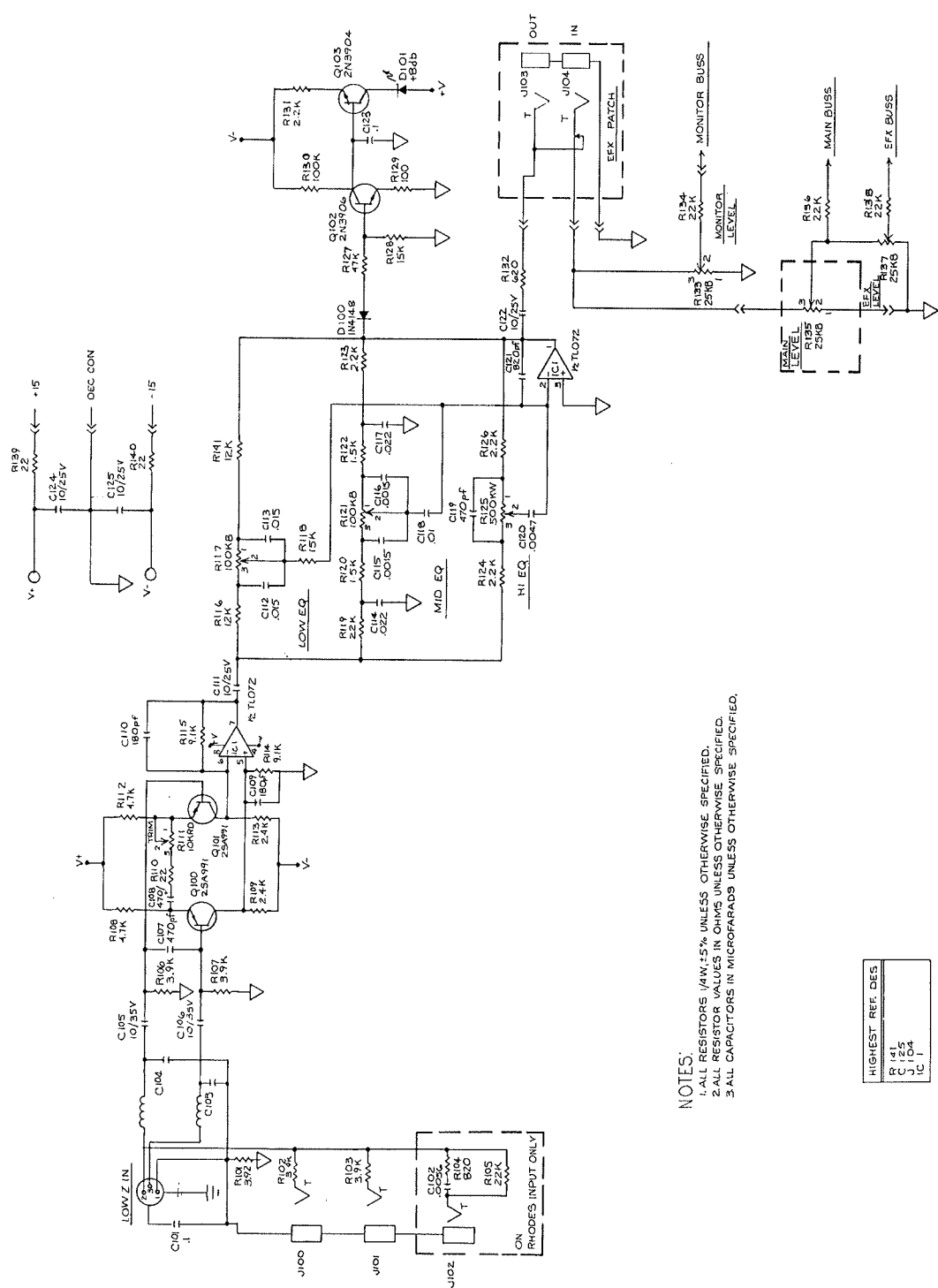
KeyBoard "44"

Schematic

B I A M P[®]
S Y S T E M S

10074 SW Arctic Drive Beaverton, OR 97005 503-641-7287

THIS DRAWING IS THE PROPERTY OF BIAMP SYSTEMS, INC. AND MUST BE RETURNED TO THE COMPANY IF THIS IS THE ONLY COPY. ANY REPRODUCTION OR DISTRIBUTION OF THIS DRAWING WITHOUT THE WRITTEN PERMISSION OF BIAMP SYSTEMS, INC. IS STRICTLY PROHIBITED. THE COMPANY ASSUMES NO LIABILITY FOR ANY DAMAGE TO PERSONS OR PROPERTY ARISING FROM THE USE OF THIS DRAWING.



NOTES:
 1. ALL RESISTORS 1/4W, ±5% UNLESS OTHERWISE SPECIFIED.
 2. ALL RESISTOR VALUES IN OHMS UNLESS OTHERWISE SPECIFIED.
 3. ALL CAPACITORS IN MICROFARADS UNLESS OTHERWISE SPECIFIED.

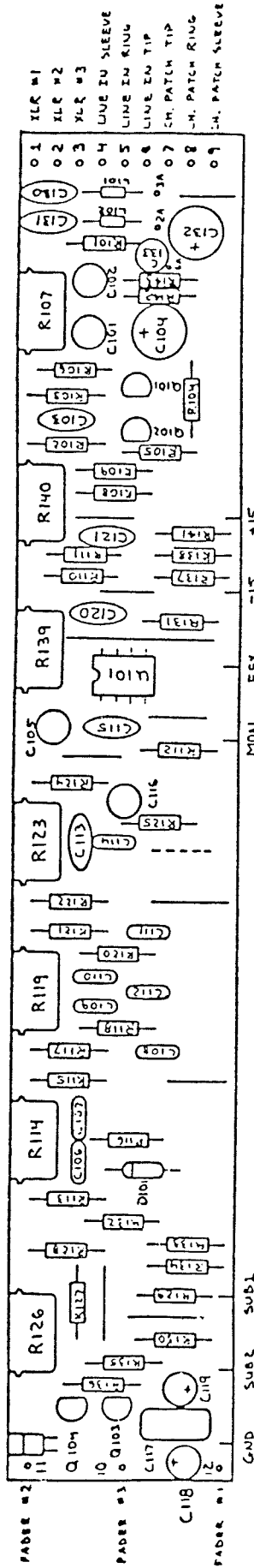
HIGHEST REF. DES.
 R 141
 J 104
 IC 1

REV.	ECO	CHANGE	DATE	BY

ITEM	QTY.	DESCRIPTION	REV.	DATE
1	1	BIAMP SYSTEMS, INC.		
2	1	KB44 INPUT SCHEMATIC		

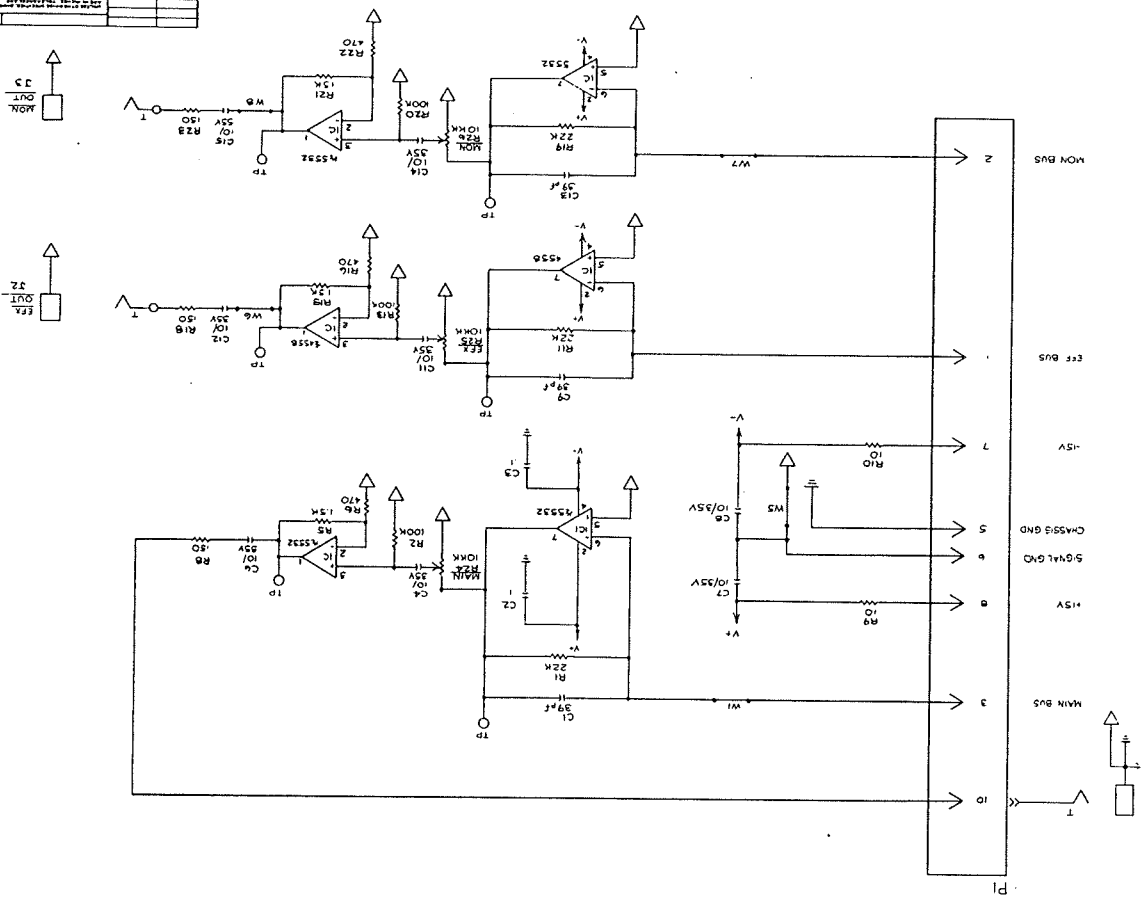
DESIGNER	DATE	APPROVED	SCALE	NO.

PROJECT	NO.	REV.	DATE



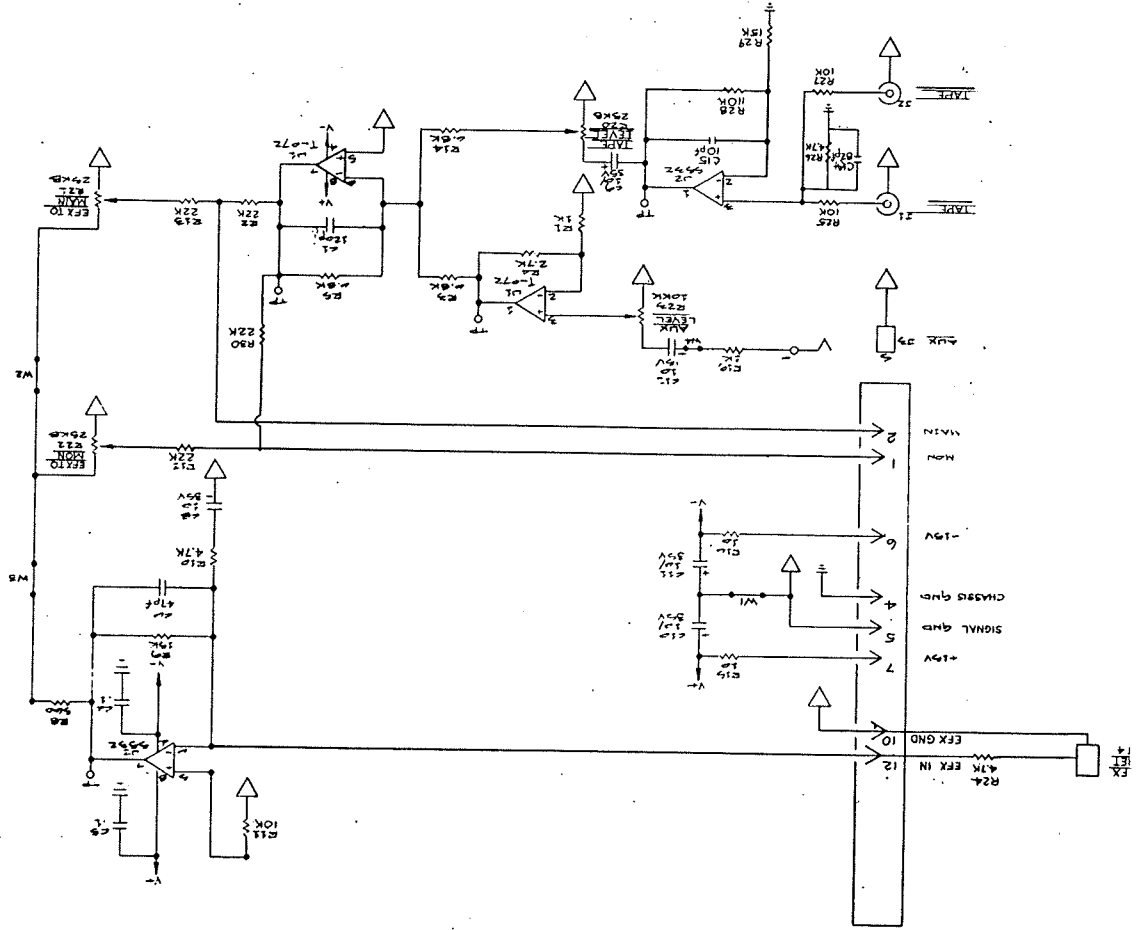
INPUT CHANNEL

Part No.	Qty	Description
1	1	IC1, IC2, IC3, IC4, IC5, IC6, IC7, IC8, IC9, IC10, IC11, IC12, IC13, IC14, IC15, IC16, IC17, IC18, IC19, IC20, IC21, IC22, IC23, IC24, IC25, IC26, IC27, IC28, IC29, IC30, IC31, IC32, IC33, IC34, IC35, IC36, IC37, IC38, IC39, IC40, IC41, IC42, IC43, IC44, IC45, IC46, IC47, IC48, IC49, IC50, IC51, IC52, IC53, IC54, IC55, IC56, IC57, IC58, IC59, IC60, IC61, IC62, IC63, IC64, IC65, IC66, IC67, IC68, IC69, IC70, IC71, IC72, IC73, IC74, IC75, IC76, IC77, IC78, IC79, IC80, IC81, IC82, IC83, IC84, IC85, IC86, IC87, IC88, IC89, IC90, IC91, IC92, IC93, IC94, IC95, IC96, IC97, IC98, IC99, IC100
2	1	IC1
3	1	IC2
4	1	IC3
5	1	IC4
6	1	IC5
7	1	IC6
8	1	IC7
9	1	IC8
10	1	IC9
11	1	IC10
12	1	IC11
13	1	IC12
14	1	IC13
15	1	IC14
16	1	IC15
17	1	IC16
18	1	IC17
19	1	IC18
20	1	IC19
21	1	IC20
22	1	IC21
23	1	IC22
24	1	IC23
25	1	IC24
26	1	IC25
27	1	IC26
28	1	IC27
29	1	IC28
30	1	IC29
31	1	IC30
32	1	IC31
33	1	IC32
34	1	IC33
35	1	IC34
36	1	IC35
37	1	IC36
38	1	IC37
39	1	IC38
40	1	IC39
41	1	IC40
42	1	IC41
43	1	IC42
44	1	IC43
45	1	IC44
46	1	IC45
47	1	IC46
48	1	IC47
49	1	IC48
50	1	IC49
51	1	IC50
52	1	IC51
53	1	IC52
54	1	IC53
55	1	IC54
56	1	IC55
57	1	IC56
58	1	IC57
59	1	IC58
60	1	IC59
61	1	IC60
62	1	IC61
63	1	IC62
64	1	IC63
65	1	IC64
66	1	IC65
67	1	IC66
68	1	IC67
69	1	IC68
70	1	IC69
71	1	IC70
72	1	IC71
73	1	IC72
74	1	IC73
75	1	IC74
76	1	IC75
77	1	IC76
78	1	IC77
79	1	IC78
80	1	IC79
81	1	IC80
82	1	IC81
83	1	IC82
84	1	IC83
85	1	IC84
86	1	IC85
87	1	IC86
88	1	IC87
89	1	IC88
90	1	IC89
91	1	IC90
92	1	IC91
93	1	IC92
94	1	IC93
95	1	IC94
96	1	IC95
97	1	IC96
98	1	IC97
99	1	IC98
100	1	IC99
101	1	IC100

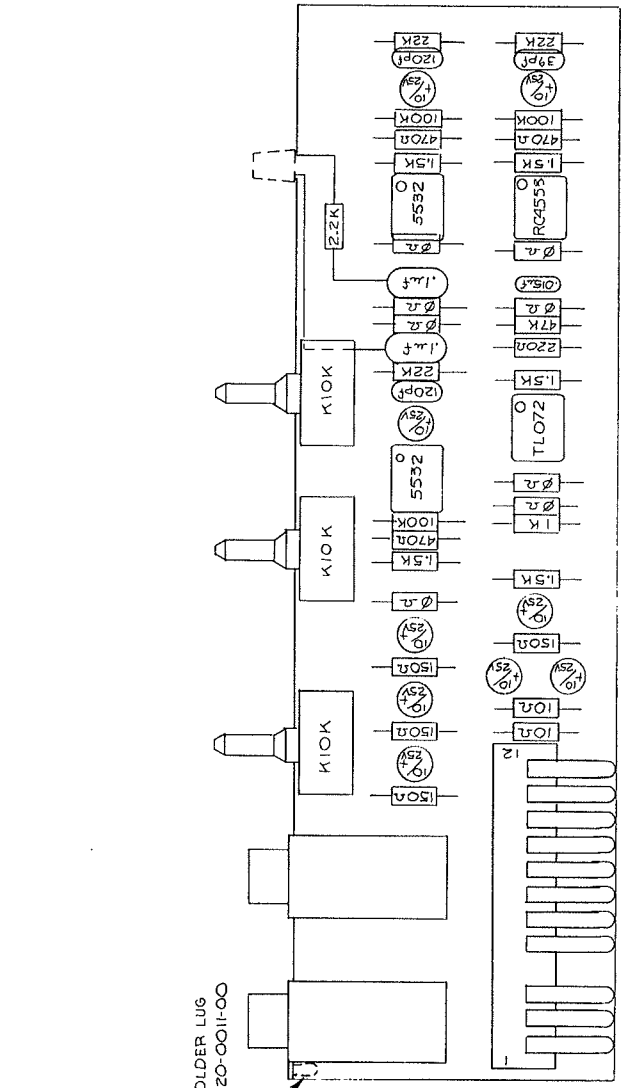


NOTES:
1 ALL R1
2 ALL R1
3 ALL R1
W/3E

Small text block, likely a note or warning.

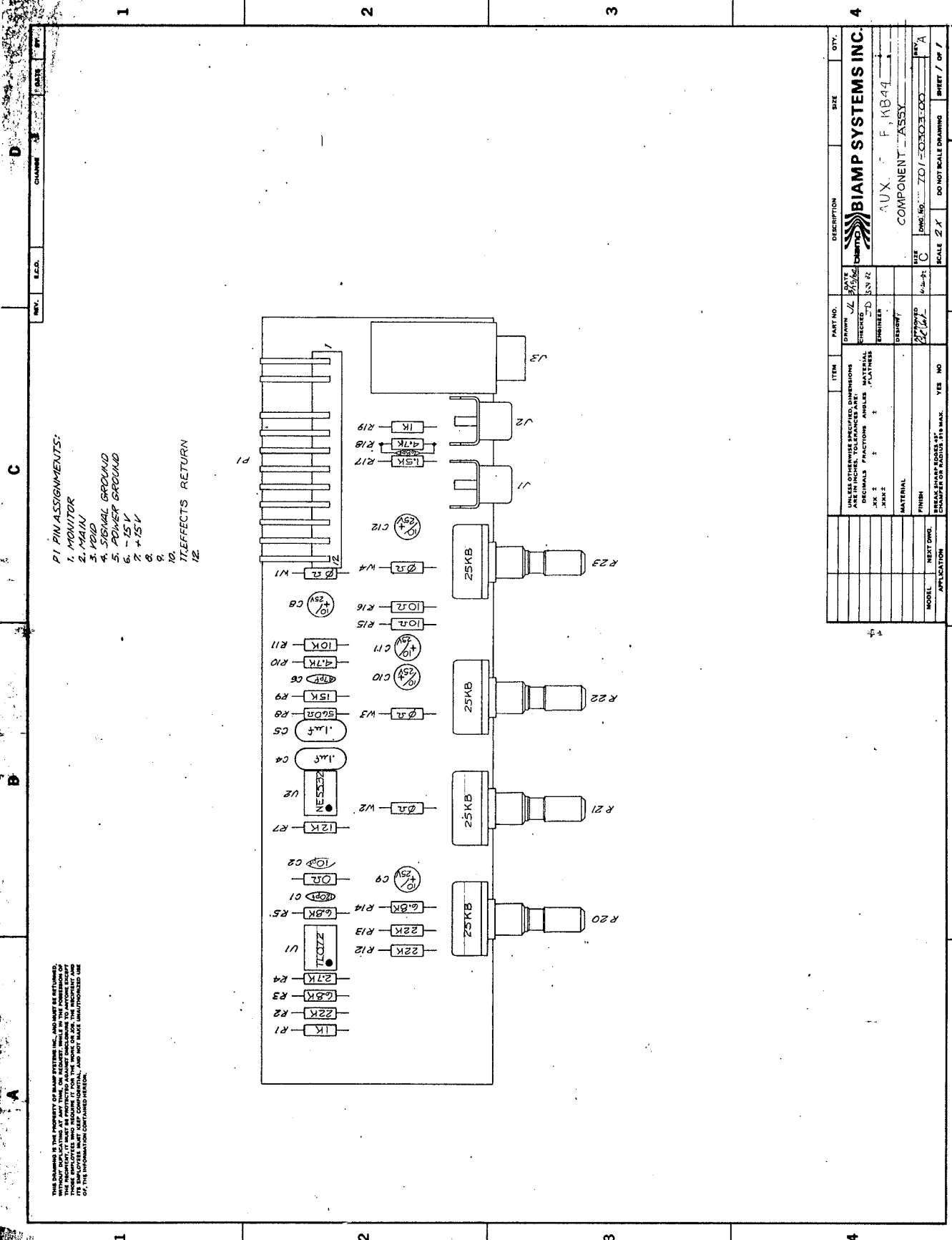


THIS DRAWING IS THE PROPERTY OF BIAMP SYSTEMS INC. AND MUST BE RETURNED WITHOUT DELAYING AT ANY TIME, ON REQUEST, WHILE IN THE POSSESSION OF THOSE EMPLOYEES WHO REQUIRE IT FOR THE WORK OR FOR THE REPAIR AND MAINTENANCE OF THE EQUIPMENT. IT IS NOT TO BE REPRODUCED OR TRANSMITTED IN ANY FORM OR BY ANY MEANS, ELECTRONIC OR MECHANICAL, INCLUDING PHOTOCOPYING, RECORDING, OR BY ANY INFORMATION CONTAINED HEREIN.



EFF BUSS
MON BUSS
MAIN BUSS
SIG GND.
P/S GND.
+15V DC
-15V DC
N/C
MAIN OUT
N/C
N/C

ITEM	PART NO.	DESCRIPTION	SIZE	QTY.
1	MVP	BIAMP SYSTEMS INC.		
2	RC4555	KB44 MAIN P.C.B.		
3	TLO72	COMPONENT ASSY		
4	5532			
5	100P			
6	100K			
7	1.5K			
8	1.5K			
9	1.5K			
10	1.5K			
11	1.5K			
12	1.5K			
13	1.5K			
14	1.5K			
15	1.5K			
16	1.5K			
17	1.5K			
18	1.5K			
19	1.5K			
20	1.5K			
21	1.5K			
22	1.5K			
23	1.5K			
24	1.5K			
25	1.5K			
26	1.5K			
27	1.5K			
28	1.5K			
29	1.5K			
30	1.5K			
31	1.5K			
32	1.5K			
33	1.5K			
34	1.5K			
35	1.5K			
36	1.5K			
37	1.5K			
38	1.5K			
39	1.5K			
40	1.5K			
41	1.5K			
42	1.5K			
43	1.5K			
44	1.5K			
45	1.5K			
46	1.5K			
47	1.5K			
48	1.5K			
49	1.5K			
50	1.5K			
51	1.5K			
52	1.5K			
53	1.5K			
54	1.5K			
55	1.5K			
56	1.5K			
57	1.5K			
58	1.5K			
59	1.5K			
60	1.5K			
61	1.5K			
62	1.5K			
63	1.5K			
64	1.5K			
65	1.5K			
66	1.5K			
67	1.5K			
68	1.5K			
69	1.5K			
70	1.5K			
71	1.5K			
72	1.5K			
73	1.5K			
74	1.5K			
75	1.5K			
76	1.5K			
77	1.5K			
78	1.5K			
79	1.5K			
80	1.5K			
81	1.5K			
82	1.5K			
83	1.5K			
84	1.5K			
85	1.5K			
86	1.5K			
87	1.5K			
88	1.5K			
89	1.5K			
90	1.5K			
91	1.5K			
92	1.5K			
93	1.5K			
94	1.5K			
95	1.5K			
96	1.5K			
97	1.5K			
98	1.5K			
99	1.5K			
100	1.5K			



- PI PIN ASSIGNMENTS:
1. MONITOR
 2. MAIN
 3. PWD
 4. SIGNAL GROUND
 5. POWER GROUND
 6. -15V
 7. +15V
 - 8.
 - 9.
 10. EFFECTS RETURN
 - 12.

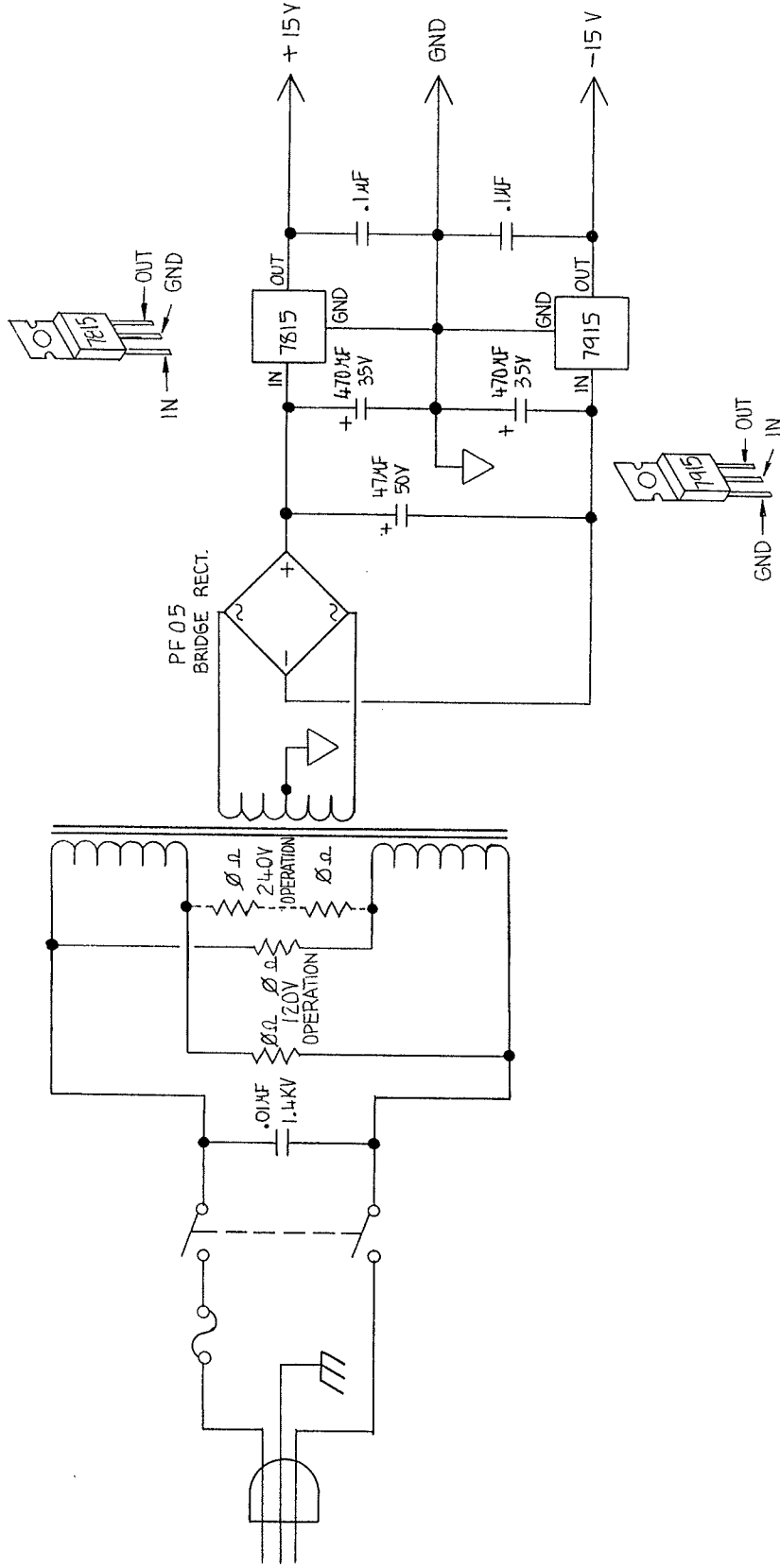
THIS DRAWING IS THE PROPERTY OF BIAMP SYSTEMS INC. AND MUST BE RETURNED TO THE ORIGINATOR. IT MUST BE PROTECTED AGAINST DISSEMINATION TO ANYONE EXCEPT ITS EMPLOYEES IN ACCORDANCE WITH COMPANY POLICY. ANY UNAUTHORIZED USE OF THE INFORMATION CONTAINED HEREIN IS PROHIBITED.

REV.	E.C.O.	CHANGE	DATE	BY

ITEM	DESCRIPTION	SIZE	QTY.
<p>BIAMP SYSTEMS INC.</p> <p>AUX. F, KB44</p> <p>COMPONENT - ASSY</p> <p>ENG. NO. 701-50303-000</p> <p>SCALE 2X DO NOT SCALE DRAWING</p> <p>SHEET 1 OF 1</p>			
<p>DESCRIPTION</p> <p>DATE 2/15/82</p> <p>ENGINEER J.D. N.Y.R.</p> <p>DESIGNER</p> <p>APPROVED</p>		<p>FINISH</p> <p>SCALE 2X</p> <p>DO NOT SCALE DRAWING</p> <p>SHEET 1 OF 1</p>	

THE DRAWING IS THE PROPERTY OF BIAMP SYSTEMS INC. AND MUST BE RETURNED TO THE ORIGINATOR. IT MUST BE PROTECTED AGAINST DISSEMINATION TO ANYONE EXCEPT ITS EMPLOYEES IN ACCORDANCE WITH COMPANY POLICY. ANY UNAUTHORIZED USE OF THE INFORMATION CONTAINED HEREIN IS PROHIBITED.

THIS DRAWING IS THE PROPERTY OF BIAMP SYSTEMS, AND MUST BE RETURNED WITHOUT DUPLICATING AT ANY TIME, ON REQUEST, WHILE IN THE POSSESSION OF THE RECIPIENT. IT MUST BE PROTECTED AGAINST DISCLOSURE TO ANYONE EXCEPT THOSE EMPLOYEES WHO REQUIRE IT FOR THE WORK ON JOB. THE RECIPIENT AND USER OF THIS DRAWING SHALL BE RESPONSIBLE FOR PROTECTING IT FROM UNAUTHORIZED DISSEMINATION, AND NOT MAKE UNAUTHORIZED USE OF THE INFORMATION CONTAINED HEREIN.

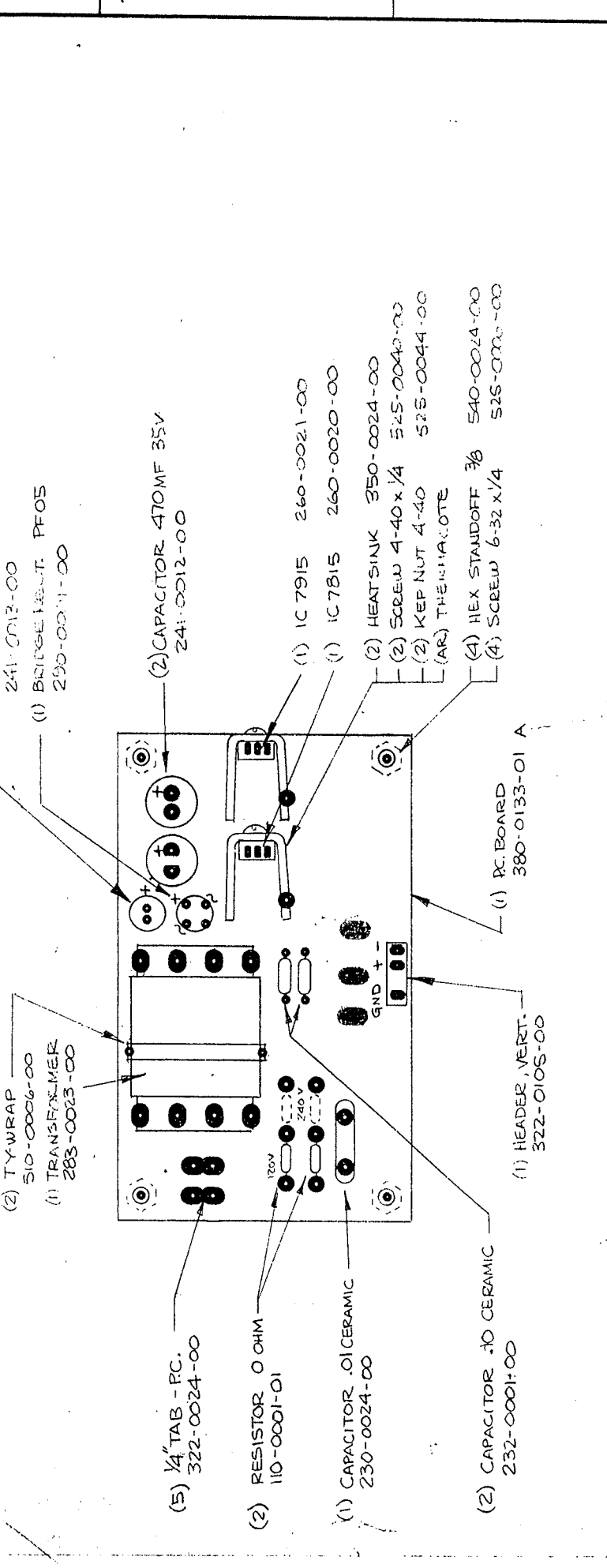


REV.	E.C.O.	CHANGE	DATE	BY

PART NO.		DESCRIPTION		SIZE	QTY.
DRAWN	ND	biamp BIAMP SYSTEMS			
CHECKED		KB44, POWER SUPPLY SCHEMATIC			
ENGINEER		SIZE	B	DWG. NO.	700-0305-00
DESIGN		SCALE	NONE	DO NOT SCALE DRAWING	SHEET OF
APPROVED		FINISH		REV.	
UNLESS OTHERWISE SPECIFIED, DIMENSIONS ARE IN INCHES. TOLERANCES ARE:		BREAK SHARP EDGES 45° CHAMFER OR RADIUS .010 MAX.			
DECIMALS	.XX	FRACTIONS		YES	NO
ANGLES	.XXX	PLATNESS			
MATERIAL		APPLICATION			
MODEL	NEXT DWG.				

REV.	ECO	CHANGE	DATE	BY
A	213-83	PRODUCTION RELEASE	0-83	GO
B	252-83	CHSD XFMR SPADE 20M	1-84	NJR

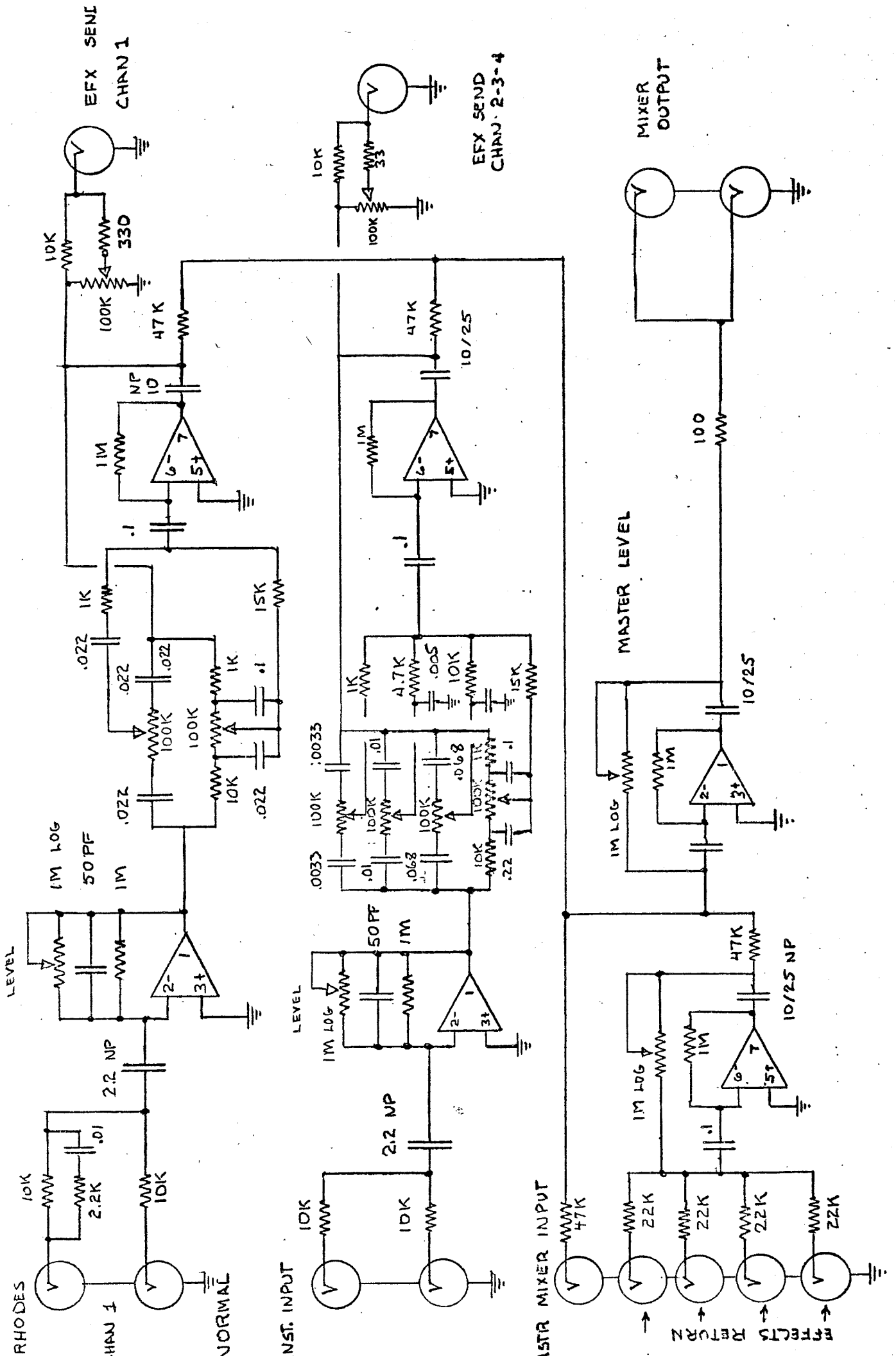
THIS DRAWING IS THE PROPERTY OF BIAMP SYSTEMS INC. AND MUST BE RETURNED WITHOUT DUPLICATING AT ANY TIME, ON REQUEST, WHILE IN THE POSSESSION OF THE RECIPIENT. IT MUST BE PROTECTED AGAINST DISCLOSURE TO ANYONE EXCEPT THOSE EMPLOYEES WHO REQUIRE IT FOR THE WORK OR JOB. THE RECIPIENT AND ITS EMPLOYEES MUST KEEP CONFIDENTIAL, AND NOT MAKE UNAUTHORIZED USE OF THE INFORMATION CONTAINED HEREON.



ITEM	PART NO.	DESCRIPTION	QTY.
1	380-0133-01 A	PC BOARD	1
2	322-0105-00	HEADER, VERT.	1
3	232-0001-00	CAPACITOR .01 CERAMIC	2
4	230-0024-00	CAPACITOR .01 CERAMIC	1
5	110-0001-01	RESISTOR 0 OHM	2
6	322-0024-00	TAB - RC.	1
7	283-0023-00	TRANSFORMER	1
8	510-0006-00	TY WRAP	2
9	290-0011-00	BRIDGE RECT. PFOS	1
10	241-0012-00	CAPACITOR 470MF 35V	2
11	260-0020-00	IC 7815	1
12	260-0021-00	IC 7915	1
13	350-0024-00	HEAT-SINK	2
14	525-0042-00	SCREW 4-40 x 1/4	2
15	525-0044-00	KEP NUT 4-40	2
16	540-0024-00	HEX STANDOFF 3/8	4
17	525-0002-00	SCREW 6-32 x 1/4	4

UNLESS OTHERWISE SPECIFIED, DIMENSIONS ARE IN INCHES. TOLERANCES ARE: DECIMALS FRACTIONS ANGLES MATERIAL FINISH	
XX	PLATING
***	NOTED
MATERIAL	NOTED
FINISH	NOTED
MODEL	NEXT DWG
APPLICATION	YES NP
BREAK SHARP EDGES AT CHAMFER OR RADIUS .010 MAX.	

BIAMP KEYBOARD MIXER



BIAMP
KEYBOARD MIXER
PWR SUPPLY

