

6702

# Schematic

**B I A M P**<sup>®</sup>

---

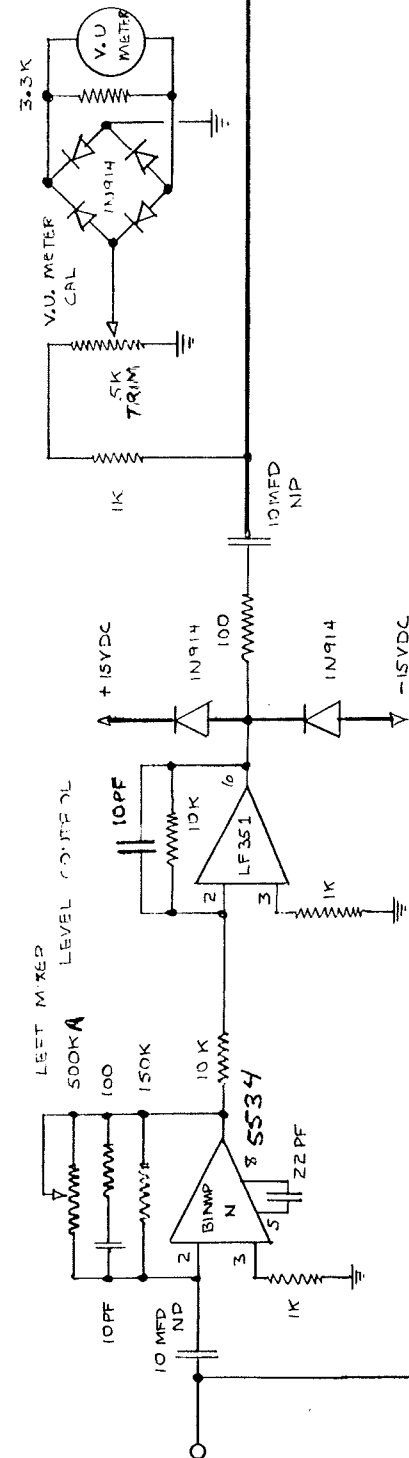
S Y S T E M S

10074 SW Arctic Drive      Beaverton, OR 97005      503-641-7287





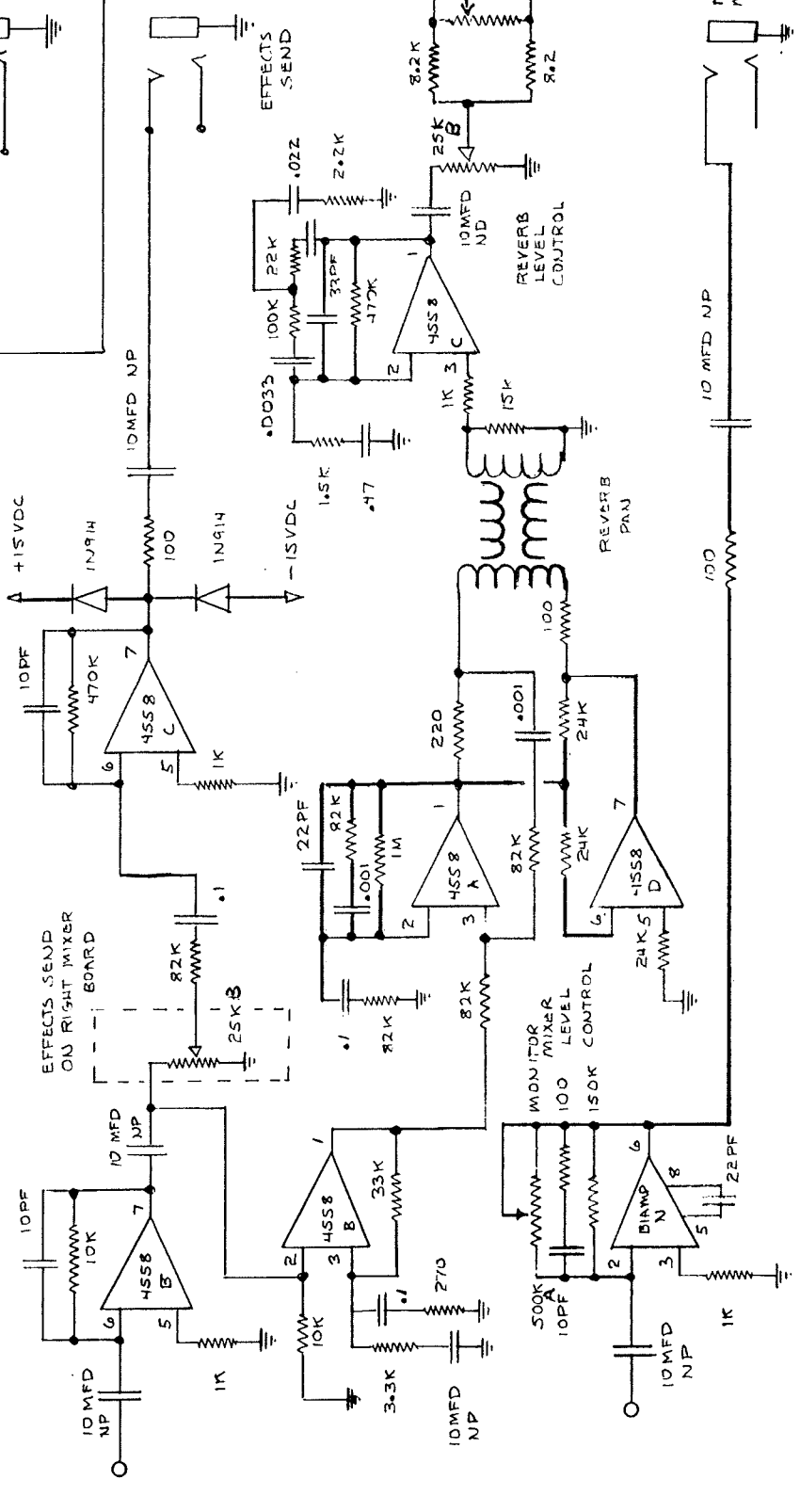
6702 MIXER  
LEFT MIXER  
EFFECTS MIXER  
MONITOR MIXER  
REVERB B  
REVISION B



LEFT MIXER  
BUS INPUT

LEFT MIXER  
OUTPUT

LEFT MIXER  
AUX  
INPUT



EFFECTS REVERB  
BUS INPUT

EFFECTS  
SEND

REVERB  
LEVEL  
CONTROL

REVERB  
PAN

MONITOR  
MIXER  
LEVEL  
CONTROL

MONITOR MIXER  
BUS INPUT

RIGHT  
MIXER  
BUS

MONITOR  
MIXER  
OUTPUT



LEFT MIXER  
LEVEL CONTROL



LEFT MIXER BIAMP-N - 5534

MONITOR MIXER  
LEVEL CONTROL



LF 357  
LF 351

REVERB LEVEL  
CONTROL



MONITOR BIAMP N

REVERB PAN  
CONTROL



4558



4558



4558



5K V.U. METER CAL

6702 MIXER

LEFT MIXER

MONITOR

REVERB / EFFECTS

REVISION B

RIGHT MIXER  
LEVEL CONTROL

BIAMP-N-5534

LF351

EFFECTS SEND

AUX LEVEL

AUX PAN

FULL WAVE BRIDGE  
PFOS

EK V.U. CAL

6702 MIXER  
RIGHT MIXER  
POWER SUPPLY  
REVISION B  
COMPONENT SIDE