

7600

Schematic

B I A M P[®]
S Y S T E M S

REV	ECO	CHANGE
A	(17)	ADD
B		
C		
D		

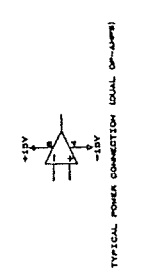
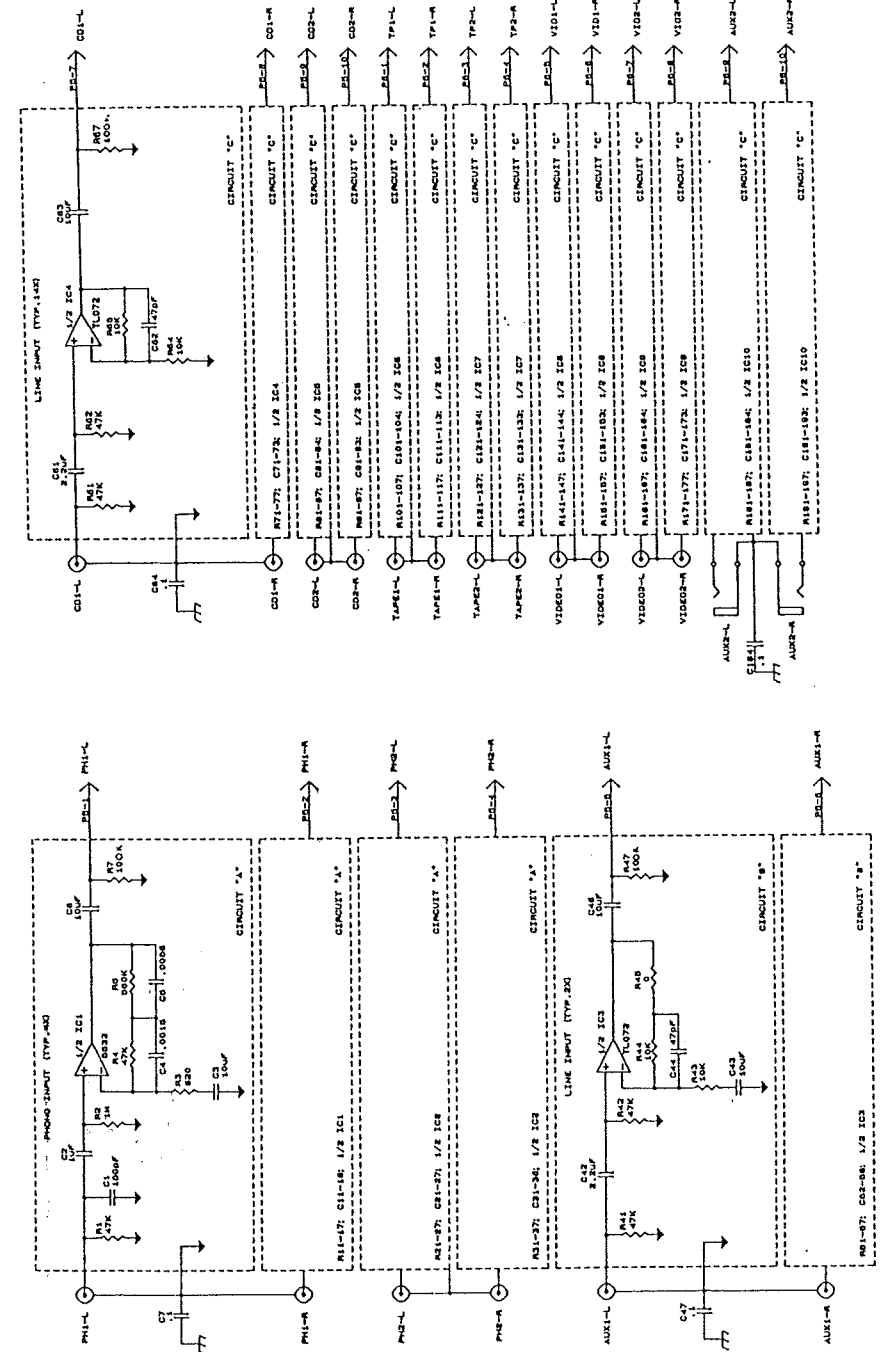
4

3

2

1

THIS DRAWING IS THE PROPERTY OF BIAMP SYSTEMS AND MUST BE RETURNED WITHOUT DELAY TO BIAMP SYSTEMS, INC. IF YOU ARE NOT THE ORIGINAL PURCHASER OF THIS DRAWING. IF YOU ARE THE ORIGINAL PURCHASER OF THIS DRAWING, YOU MUST SIGN AND DATE THE BOTTOM OF THIS DRAWING TO INDICATE THAT YOU HAVE RECEIVED IT FOR THE WORK ON JOB. THE SIGNATURE AND DATE OF THE ORIGINAL PURCHASER MUST BE MADE PROMPTLY UPON THE COMPLETION OF THE WORK ON JOB. THE SIGNATURE AND DATE OF THE ORIGINAL PURCHASER MUST BE MADE PROMPTLY UPON THE COMPLETION OF THE WORK ON JOB.



REV	ECO	CHANGE
A	(17)	ADD
B		
C		
D		

REV	ECO	CHANGE
A	(17)	ADD
B		
C		
D		

REV	ECO	CHANGE
A	(17)	ADD
B		
C		
D		

REV	ECO	CHANGE
A	(17)	ADD
B		
C		
D		

REV	ECO	CHANGE
A	(17)	ADD
B		
C		
D		

REV	ECO	CHANGE
A	(17)	ADD
B		
C		
D		

REV	ECO	CHANGE
A	(17)	ADD
B		
C		
D		

REV	ECO	CHANGE
A	(17)	ADD
B		
C		
D		

REV	ECO	CHANGE
A	(17)	ADD
B		
C		
D		

REV	ECO	CHANGE
A	(17)	ADD
B		
C		
D		

REV	ECO	CHANGE
A	(17)	ADD
B		
C		
D		

REV	ECO	CHANGE
A	(17)	ADD
B		
C		
D		

REV	ECO	CHANGE
A	(17)	ADD
B		
C		
D		

REV	ECO	CHANGE
A	(17)	ADD
B		
C		
D		

REV	ECO	CHANGE
A	(17)	ADD
B		
C		
D		

REV	ECO	CHANGE
A	(17)	ADD
B		
C		
D		

REV	ECO	CHANGE
A	(17)	ADD
B		
C		
D		

REV	ECO	CHANGE
A	(17)	ADD
B		
C		
D		

REV	ECO	CHANGE
A	(17)	ADD
B		
C		
D		

REV	ECO	CHANGE
A	(17)	ADD
B		
C		
D		

REV	ECO	CHANGE
A	(17)	ADD
B		
C		
D		

REV	ECO	CHANGE
A	(17)	ADD
B		
C		
D		

REV	ECO	CHANGE
A	(17)	ADD
B		
C		
D		

REV	ECO	CHANGE
A	(17)	ADD
B		
C		
D		

REV	ECO	CHANGE
A	(17)	ADD
B		
C		
D		

REV	ECO	CHANGE
A	(17)	ADD
B		
C		
D		

REV	ECO	CHANGE
A	(17)	ADD
B		
C		
D		

REV	ECO	CHANGE
A	(17)	ADD
B		
C		
D		

REV	ECO	CHANGE
A	(17)	ADD
B		
C		
D		

REV	ECO	CHANGE
A	(17)	ADD
B		
C		
D		

REV	ECO	CHANGE
A	(17)	ADD
B		
C		
D		

REV	ECO	CHANGE
A	(17)	ADD
B		
C		
D		

REV	ECO	CHANGE
A	(17)	ADD
B		
C		
D		

REV	ECO	CHANGE
A	(17)	ADD
B		
C		
D		

REV	ECO	CHANGE
A	(17)	ADD
B		
C		
D		

REV	ECO	CHANGE
A	(17)	ADD
B		
C		
D		

REV	ECO	CHANGE
A	(17)	ADD
B		
C		
D		

REV	ECO	CHANGE
A	(17)	ADD
B		
C		
D		

REV	ECO	CHANGE
A	(17)	ADD
B		
C		
D		

REV	ECO	CHANGE
A	(17)	ADD
B		
C		
D		

REV	ECO	CHANGE
A	(17)	ADD
B		
C		
D		

REV	ECO	CHANGE
A	(17)	ADD
B		
C		
D		

REV	ECO	CHANGE
A	(17)	ADD
B		
C		
D		

REV	ECO	CHANGE
A	(17)	ADD
B		
C		
D		

REV	ECO	CHANGE
A	(17)	ADD
B		
C		
D		

REV	ECO	CHANGE
A	(17)	ADD
B		
C		
D		

REV	ECO	CHANGE
A	(17)	ADD
B		
C		
D		

REV	ECO	CHANGE
A	(17)	ADD
B		
C		
D		

REV	ECO	CHANGE
A	(17)	ADD
B		
C		
D		

REV	ECO	CHANGE
A	(17)	ADD
B		
C		
D		

REV	ECO	CHANGE
A	(17)	ADD
B		
C		
D		

REV	ECO	CHANGE
A	(17)	ADD
B		
C		
D		

REV	ECO	CHANGE
A	(17)	ADD
B		
C		
D		

REV	ECO	CHANGE
A	(17)	ADD
B		
C		
D		

REV	ECO	CHANGE
A	(17)	ADD
B		
C		
D		

REV	ECO	CHANGE
A	(17)	ADD
B		
C		
D		

REV	ECO	CHANGE
A	(17)	ADD
B		
C		
D		

REV	ECO	CHANGE
A	(17)	ADD
B		
C		
D		

REV	ECO	CHANGE
A	(17)	ADD
B		
C		
D		

REV	ECO	CHANGE
A	(17)	ADD
B		
C		
D		

REV	ECO	CHANGE
A	(17)	ADD
B		
C		
D		

REV	ECO	CHANGE
A	(17)	ADD
B		
C		
D		

REV	ECO	CHANGE
A	(17)	ADD
B		
C		
D		

REV	ECO	CHANGE
A	(17)	ADD
B		
C		
D		

REV	ECO	CHANGE
A	(17)	ADD
B		
C		
D		

REV	ECO	CHANGE
A	(17)	ADD
B		
C		
D		

REV	ECO	CHANGE
A	(17)	ADD
B		
C		
D		

REV	ECO	CHANGE
A	(17)	ADD
B		
C		
D		

REV	ECO	CHANGE
A	(17)	ADD
B		
C		
D		

REV	ECO	CHANGE
A	(17)	ADD
B		
C		
D		

REV	ECO	CHANGE
A	(17)	ADD
B		
C		
D		

REV	ECO	CHANGE
A	(17)	ADD
B		
C		
D		

REV	ECO	CHANGE
A	(17)	ADD
B		
C		
D		

REV	ECO	CHANGE
A	(17)	ADD
B		
C		
D		

REV	ECO	CHANGE
A	(17)	ADD
B		
C		
D		

REV	ECO	CHANGE
A	(17)	ADD
B		
C		
D		

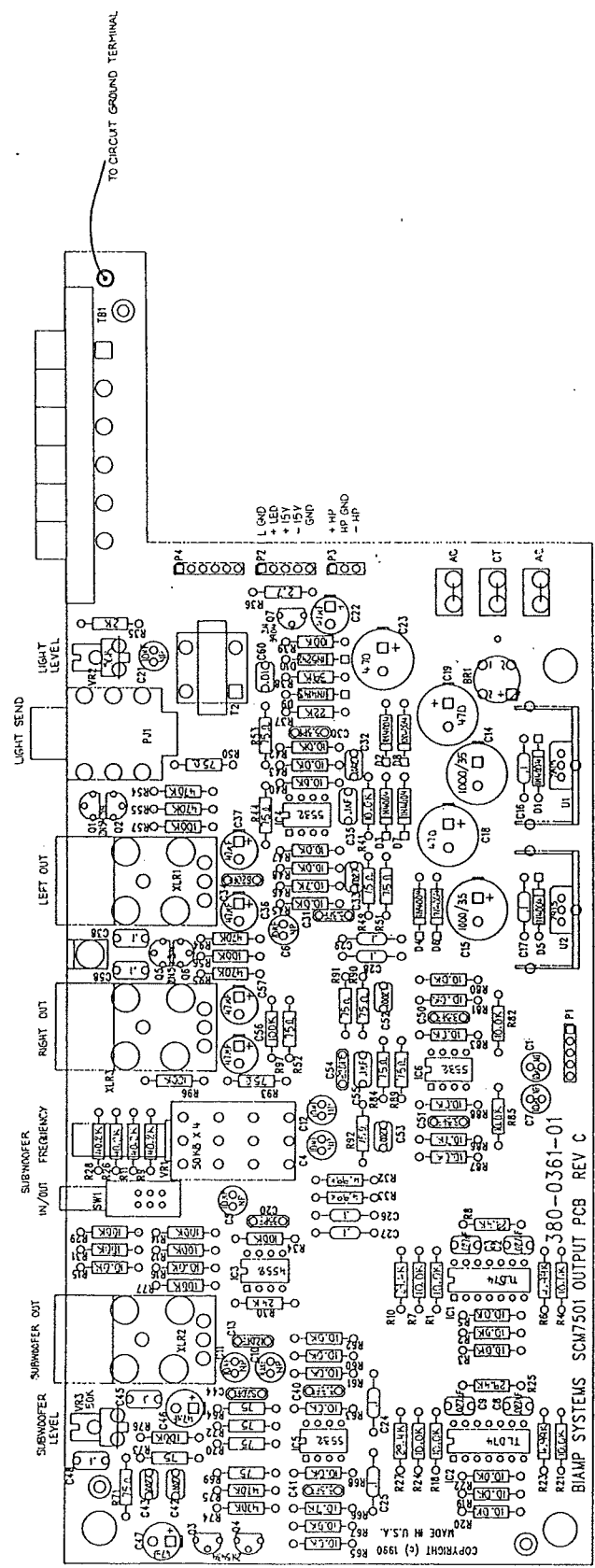
REV	ECO	CHANGE
A	(17)	ADD
B		
C		
D		

REV	ECO	CHANGE
A	(17)	ADD
B		
C		
D		

REV	ECO	CHANGE</
-----	-----	----------

BIAMP SYSTEMS, INC. 14270 N.W. Science Park Drive, Portland, Oregon 97229. (503) 641-7287. FAX: (503) 641-7288. © 1990 BIAMP SYSTEMS, INC. ALL RIGHTS RESERVED. THIS DRAWING IS THE PROPERTY OF BIAMP SYSTEMS, INC. AND IS NOT TO BE REPRODUCED OR TRANSMITTED IN ANY FORM OR BY ANY MEANS, ELECTRONIC OR MECHANICAL, INCLUDING PHOTOCOPYING, RECORDING, OR BY ANY INFORMATION STORAGE AND RETRIEVAL SYSTEM, WITHOUT THE WRITTEN PERMISSION OF BIAMP SYSTEMS, INC.

7



Sheet 1 of 5 : Silscreen

380-0361-01 REV C
SCM7501 OUTPUT PCB

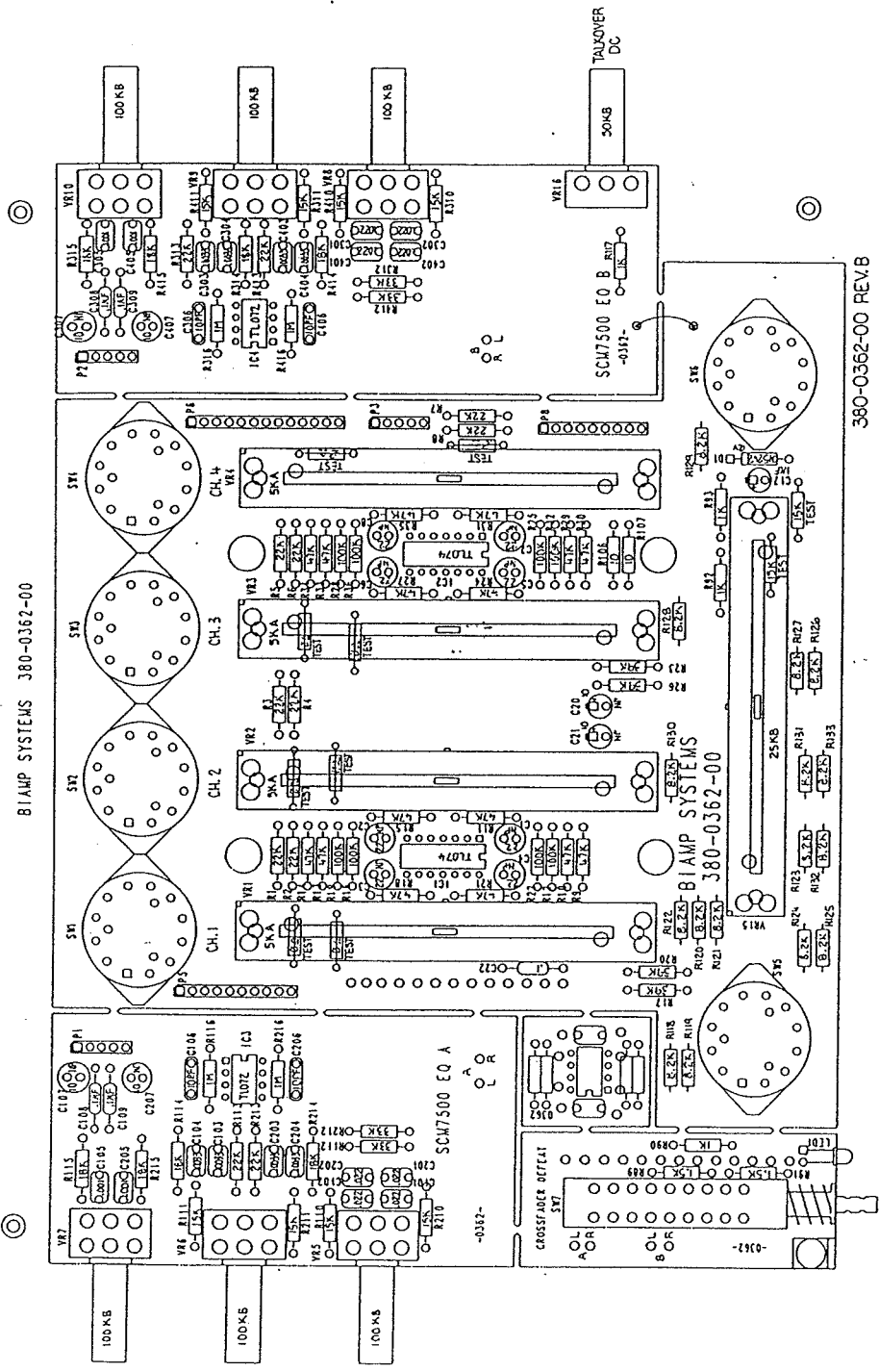
- MAN R
- DESIGN R
- HP F
- HP P
- HP L

BIAMP SYSTEMS
14270 N.W. Science Park Drive
Portland, Oregon 97229
(503) 641-7287

REV	DATE	DESCRIPTION
01		INITIAL RELEASE
02		REVISED
03		REVISED
04		REVISED
05		REVISED
06		REVISED
07		REVISED
08		REVISED
09		REVISED
10		REVISED
11		REVISED
12		REVISED
13		REVISED
14		REVISED
15		REVISED
16		REVISED
17		REVISED
18		REVISED
19		REVISED
20		REVISED
21		REVISED
22		REVISED
23		REVISED
24		REVISED
25		REVISED
26		REVISED
27		REVISED
28		REVISED
29		REVISED
30		REVISED
31		REVISED
32		REVISED
33		REVISED
34		REVISED
35		REVISED
36		REVISED
37		REVISED
38		REVISED
39		REVISED
40		REVISED
41		REVISED
42		REVISED
43		REVISED
44		REVISED
45		REVISED
46		REVISED
47		REVISED
48		REVISED
49		REVISED
50		REVISED

A	128-00	REV. 1	100% TESTED	100% TESTED	100% TESTED
B	135-00	REV. 1	100% TESTED	100% TESTED	100% TESTED

2

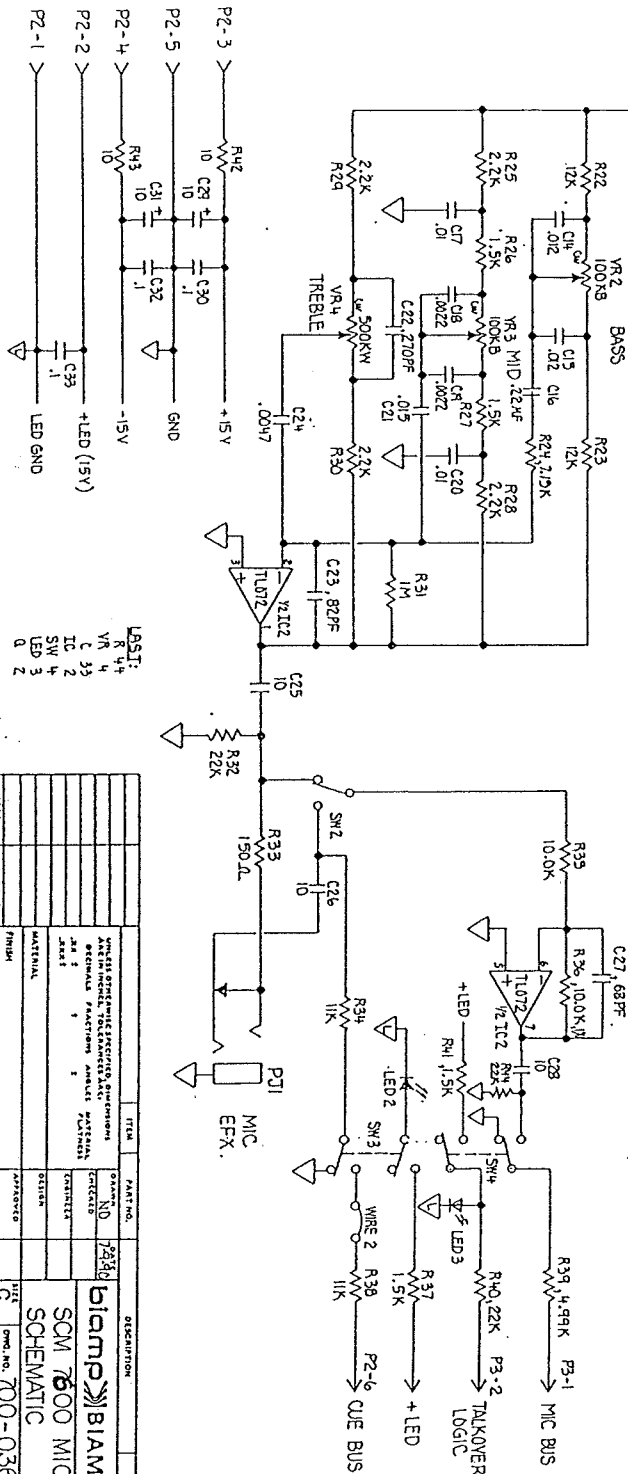
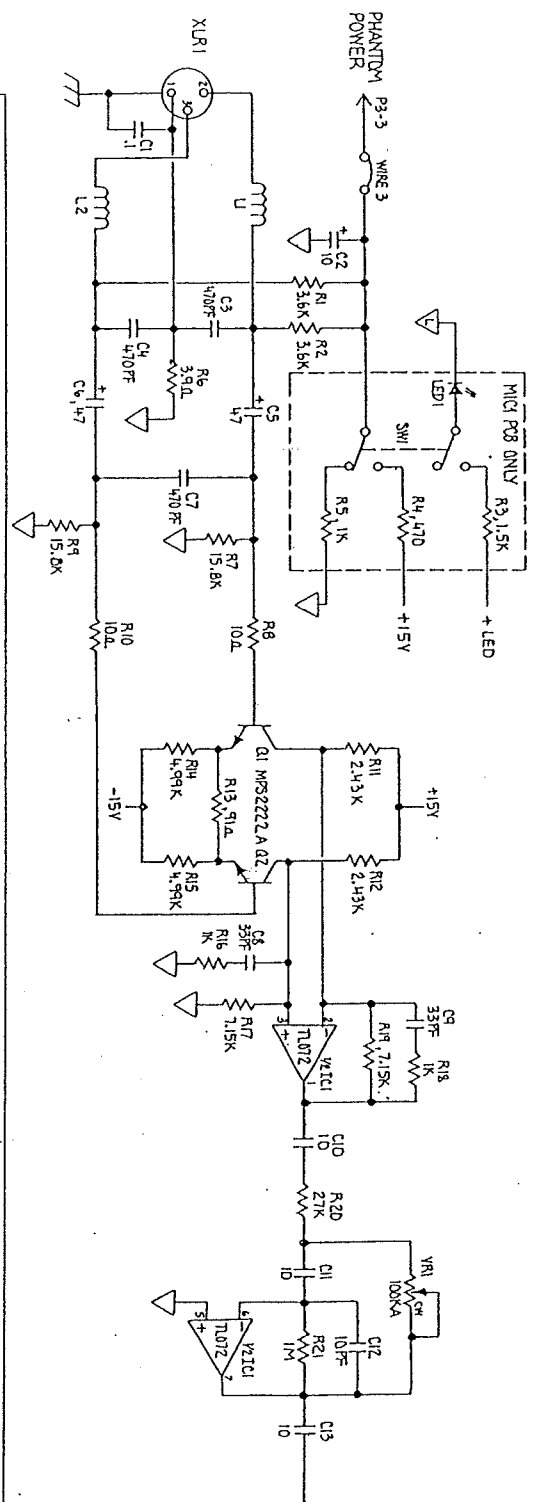


BIAMP SYSTEMS 380-0362-00

380-0362-00 REV/B

NOTE: *TEST* 0.04M RESISTORS (QUANTITY 2) AND *TEST* 15K RESISTORS (QUANTITY 2) TO BE REMOVED AFTER PRETEST.

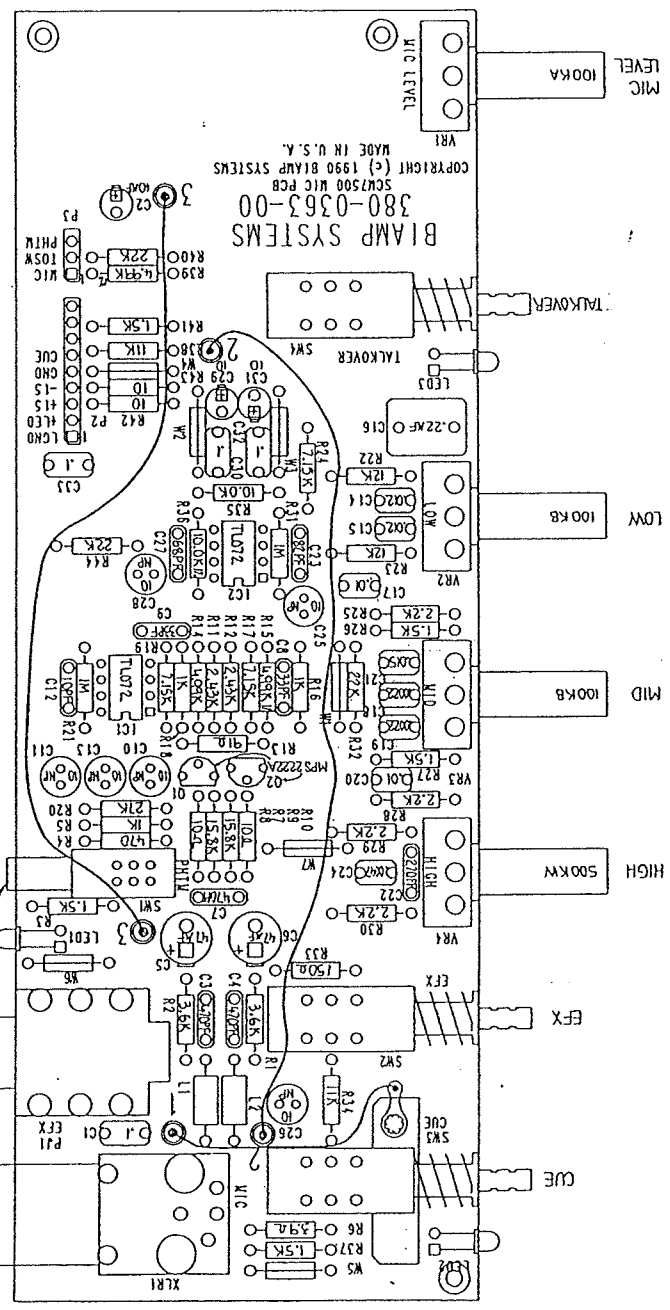
BIAMP SYSTEMS, INC.		blamp	
10000 N.W. 100th Ave., Suite 100, Miami, FL 33178		SCM7500 DISTRIBUTION # 1	
PART #		COMPONENT LAYOUT	
REV. 1		REV. 1	
DATE		DATE	
BY		BY	
CHECKED		CHECKED	
APPROVED		APPROVED	
SCALE 2/1		SCALE 2/1	



LSA:TI
R 44
C 33
TC 2
SW 4
LED 3
D 2

REV.	DESCRIPTION	DATE	BY	CHKD.
1	INITIAL DESIGN			
2	REVISED			
3	REVISED			
4	REVISED			
5	REVISED			
6	REVISED			
7	REVISED			
8	REVISED			
9	REVISED			
10	REVISED			
11	REVISED			
12	REVISED			
13	REVISED			
14	REVISED			
15	REVISED			
16	REVISED			
17	REVISED			
18	REVISED			
19	REVISED			
20	REVISED			
21	REVISED			
22	REVISED			
23	REVISED			
24	REVISED			
25	REVISED			
26	REVISED			
27	REVISED			
28	REVISED			
29	REVISED			
30	REVISED			
31	REVISED			
32	REVISED			
33	REVISED			
34	REVISED			
35	REVISED			
36	REVISED			
37	REVISED			
38	REVISED			
39	REVISED			
40	REVISED			
41	REVISED			
42	REVISED			
43	REVISED			
44	REVISED			
45	REVISED			
46	REVISED			
47	REVISED			
48	REVISED			
49	REVISED			
50	REVISED			
51	REVISED			
52	REVISED			
53	REVISED			
54	REVISED			
55	REVISED			
56	REVISED			
57	REVISED			
58	REVISED			
59	REVISED			
60	REVISED			
61	REVISED			
62	REVISED			
63	REVISED			
64	REVISED			
65	REVISED			
66	REVISED			
67	REVISED			
68	REVISED			
69	REVISED			
70	REVISED			
71	REVISED			
72	REVISED			
73	REVISED			
74	REVISED			
75	REVISED			
76	REVISED			
77	REVISED			
78	REVISED			
79	REVISED			
80	REVISED			
81	REVISED			
82	REVISED			
83	REVISED			
84	REVISED			
85	REVISED			
86	REVISED			
87	REVISED			
88	REVISED			
89	REVISED			
90	REVISED			
91	REVISED			
92	REVISED			
93	REVISED			
94	REVISED			
95	REVISED			
96	REVISED			
97	REVISED			
98	REVISED			
99	REVISED			
100	REVISED			

SCM 7600 MIC PCB
SCHEMATIC
700-0363-00
DO NOT SCALE DRAWING



MODEL	REV. DWG.	APPROVAL	DATE	BY	CHK.
SCM 7600 MIC PCB	1	APPROVED	7/22/90		
DESCRIPTION	DATE	BY	CHK.		
SCM 7600 MIC PCB	7/22/90				
REVISIONS	DATE	BY	CHK.		
1. ORIGINAL PARTITION ABLE PARTIAL					
2. PARTIAL					
3. PARTIAL					
4. PARTIAL					
5. PARTIAL					
6. PARTIAL					
7. PARTIAL					
8. PARTIAL					
9. PARTIAL					
10. PARTIAL					
11. PARTIAL					
12. PARTIAL					
13. PARTIAL					
14. PARTIAL					
15. PARTIAL					
16. PARTIAL					
17. PARTIAL					
18. PARTIAL					
19. PARTIAL					
20. PARTIAL					
21. PARTIAL					
22. PARTIAL					
23. PARTIAL					
24. PARTIAL					
25. PARTIAL					
26. PARTIAL					
27. PARTIAL					
28. PARTIAL					
29. PARTIAL					
30. PARTIAL					
31. PARTIAL					
32. PARTIAL					
33. PARTIAL					
34. PARTIAL					
35. PARTIAL					
36. PARTIAL					
37. PARTIAL					
38. PARTIAL					
39. PARTIAL					
40. PARTIAL					
41. PARTIAL					
42. PARTIAL					
43. PARTIAL					
44. PARTIAL					
45. PARTIAL					
46. PARTIAL					
47. PARTIAL					
48. PARTIAL					
49. PARTIAL					
50. PARTIAL					
51. PARTIAL					
52. PARTIAL					
53. PARTIAL					
54. PARTIAL					
55. PARTIAL					
56. PARTIAL					
57. PARTIAL					
58. PARTIAL					
59. PARTIAL					
60. PARTIAL					
61. PARTIAL					
62. PARTIAL					
63. PARTIAL					
64. PARTIAL					
65. PARTIAL					
66. PARTIAL					
67. PARTIAL					
68. PARTIAL					
69. PARTIAL					
70. PARTIAL					
71. PARTIAL					
72. PARTIAL					
73. PARTIAL					
74. PARTIAL					
75. PARTIAL					
76. PARTIAL					
77. PARTIAL					
78. PARTIAL					
79. PARTIAL					
80. PARTIAL					
81. PARTIAL					
82. PARTIAL					
83. PARTIAL					
84. PARTIAL					
85. PARTIAL					
86. PARTIAL					
87. PARTIAL					
88. PARTIAL					
89. PARTIAL					
90. PARTIAL					
91. PARTIAL					
92. PARTIAL					
93. PARTIAL					
94. PARTIAL					
95. PARTIAL					
96. PARTIAL					
97. PARTIAL					
98. PARTIAL					
99. PARTIAL					
100. PARTIAL					

BIAMP SYSTEMS
SCM 7600 MIC PCB
COMPONENT LAYOUT

380-0363-00

MADE IN U.S.A.
COPYRIGHT © 1990 BIAMP SYSTEMS
SCM7500 MIC PCB

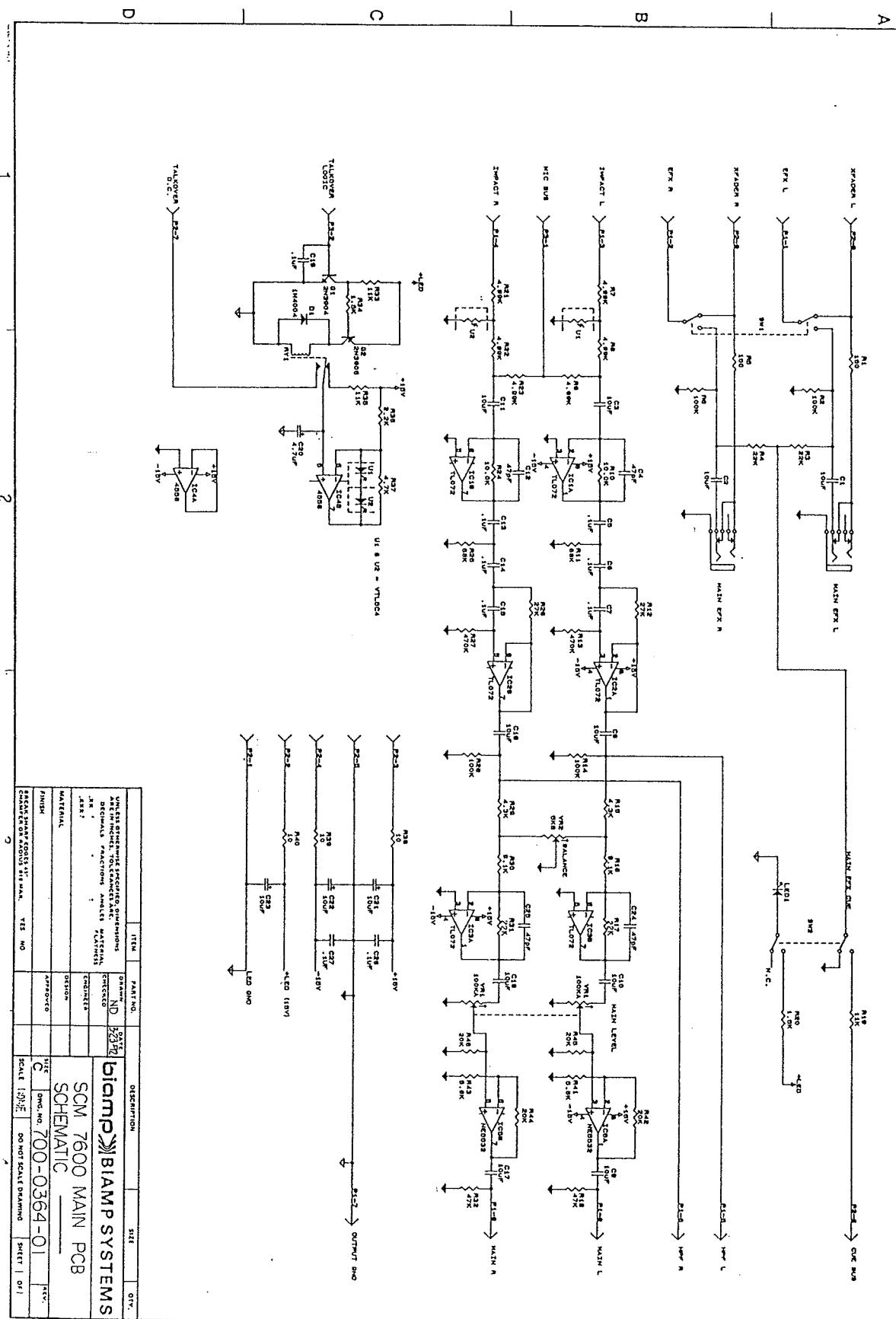
BIAMP SYSTEMS
SCM 7600 MIC PCB
COMPONENT LAYOUT

380-0363-00

MADE IN U.S.A.
COPYRIGHT © 1990 BIAMP SYSTEMS
SCM7500 MIC PCB

5

THESE SCHEMATIC DRAWINGS ARE UNLESS OTHERWISE SPECIFIED TO BE IN ACCORDANCE WITH THE SCHEMATIC DRAWING STANDARDS OF THE IEC.

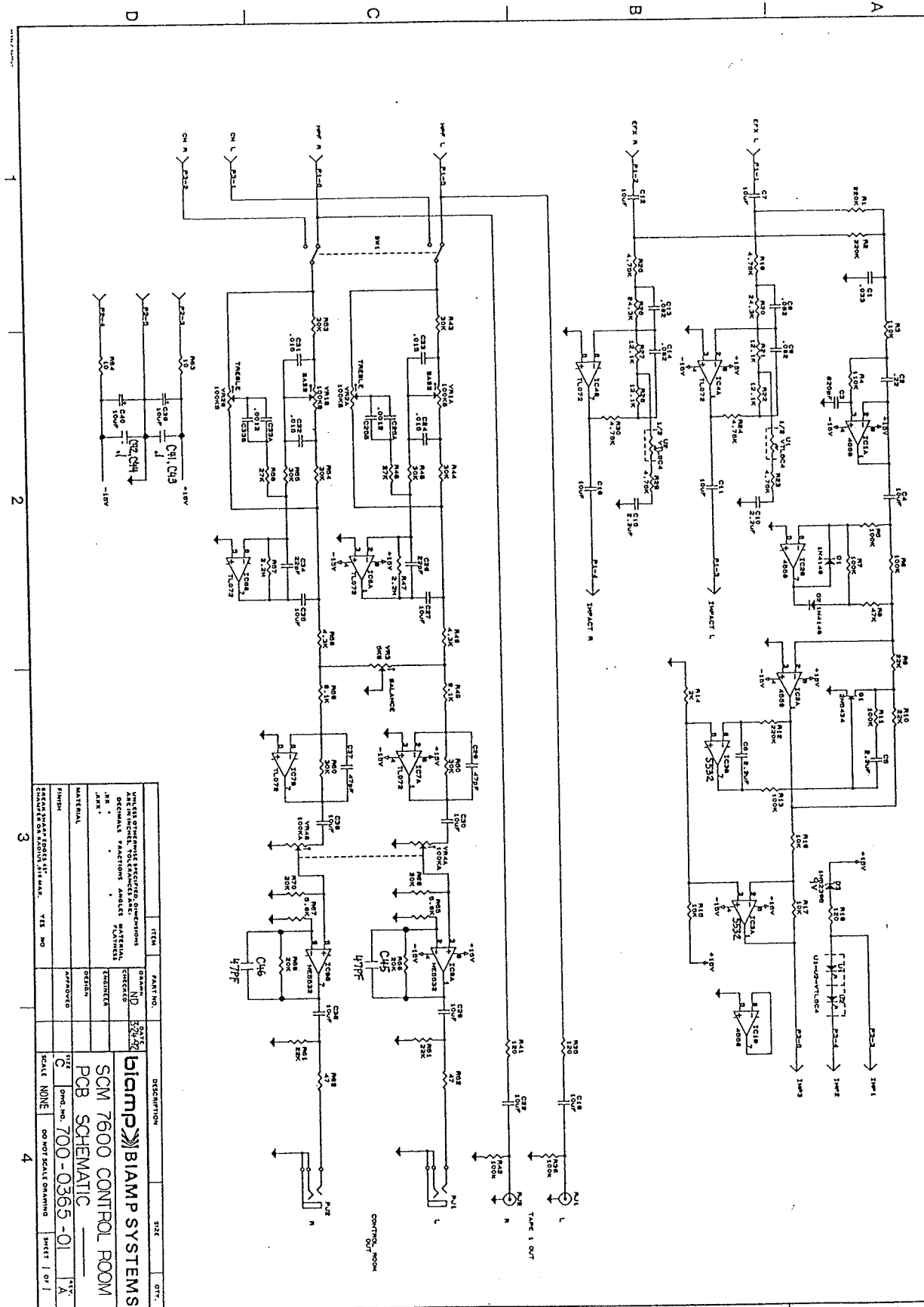


ITEM	DESCRIPTION	QTY	UNIT
ND	UNLID OPERATIONAL AMPLIFIERS	2	IC
ND	RESISTORS	18	RES
ND	CAPACITORS	10	CAP
ND	DIODES	2	DI
ND	TRANSISTORS	0	TR
ND	OTHER COMPONENTS	0	OT

SCM 7600 MAIN PCB
 Schematic
 Dwg. No. 700-0364-01
 Scale: 1:1
 Date: 01/11/82
 Do not scale drawing
 Sheet 1 of 1

10

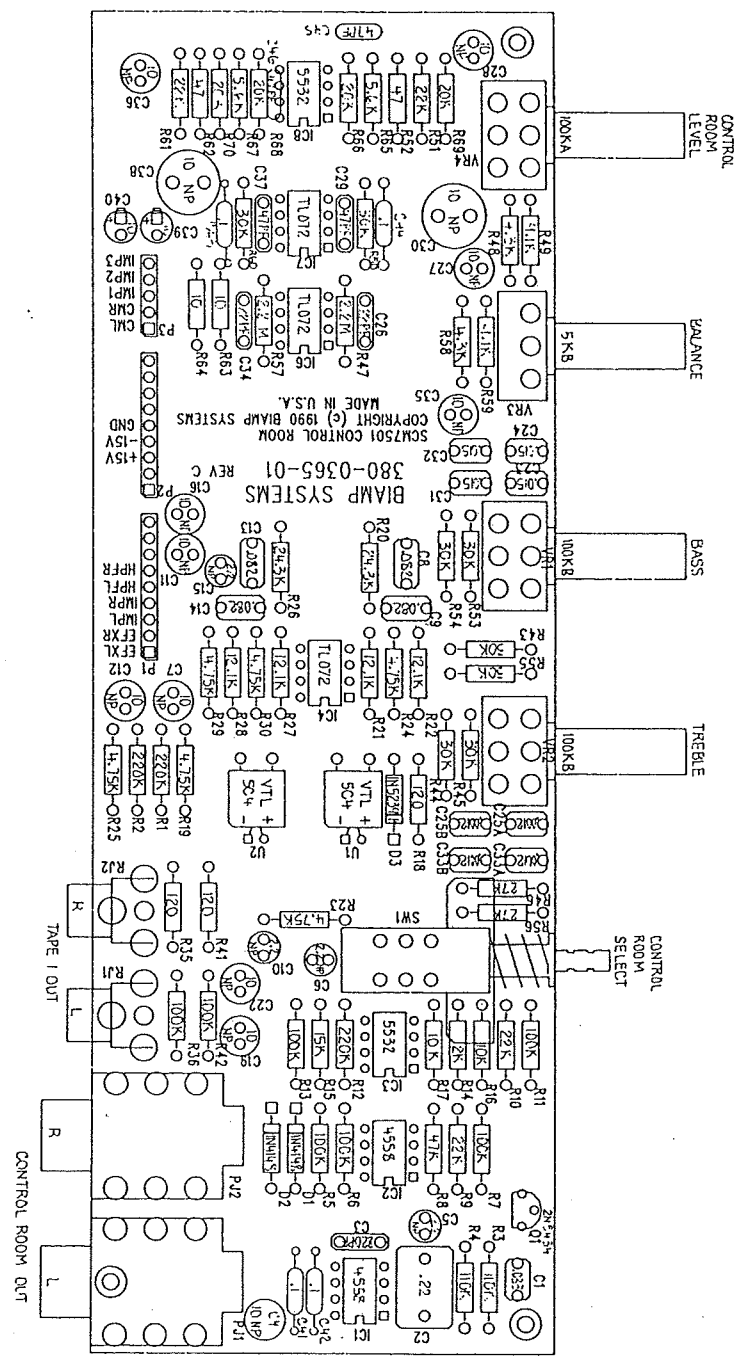
THESE DRAWINGS ARE THE PROPERTY OF BIAMP SYSTEMS, INC. AND ARE NOT TO BE REPRODUCED OR TRANSMITTED IN ANY FORM OR BY ANY MEANS, ELECTRONIC OR MECHANICAL, INCLUDING PHOTOCOPYING, RECORDING, OR BY ANY INFORMATION STORAGE AND RETRIEVAL SYSTEM.



ITEM	PART NO.	DESCRIPTION	SHEET	QTY.
1	ND	BIAMP SYSTEMS	1	1
2	ND	SCM 7600 CONTROL ROOM	1	1
3	ND	PCB SCHEMATIC	1	1
4	ND	700-0365-01	1	1
5	ND	SCALE NONE	1	1
6	ND	DO NOT SCALE DIMENSIONS	1	1
7	ND	SHEET 1 OF 1	1	1

12

This drawing is the property of Biamp Systems, Inc. and shall remain the property of Biamp Systems, Inc. until it is returned to Biamp Systems, Inc. in accordance with the terms of the contract. No part of this drawing shall be reproduced or transmitted in any form or by any means, electronic, mechanical, photocopying, recording, or by any information storage and retrieval system, without the prior written permission of Biamp Systems, Inc.



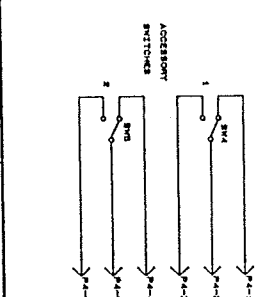
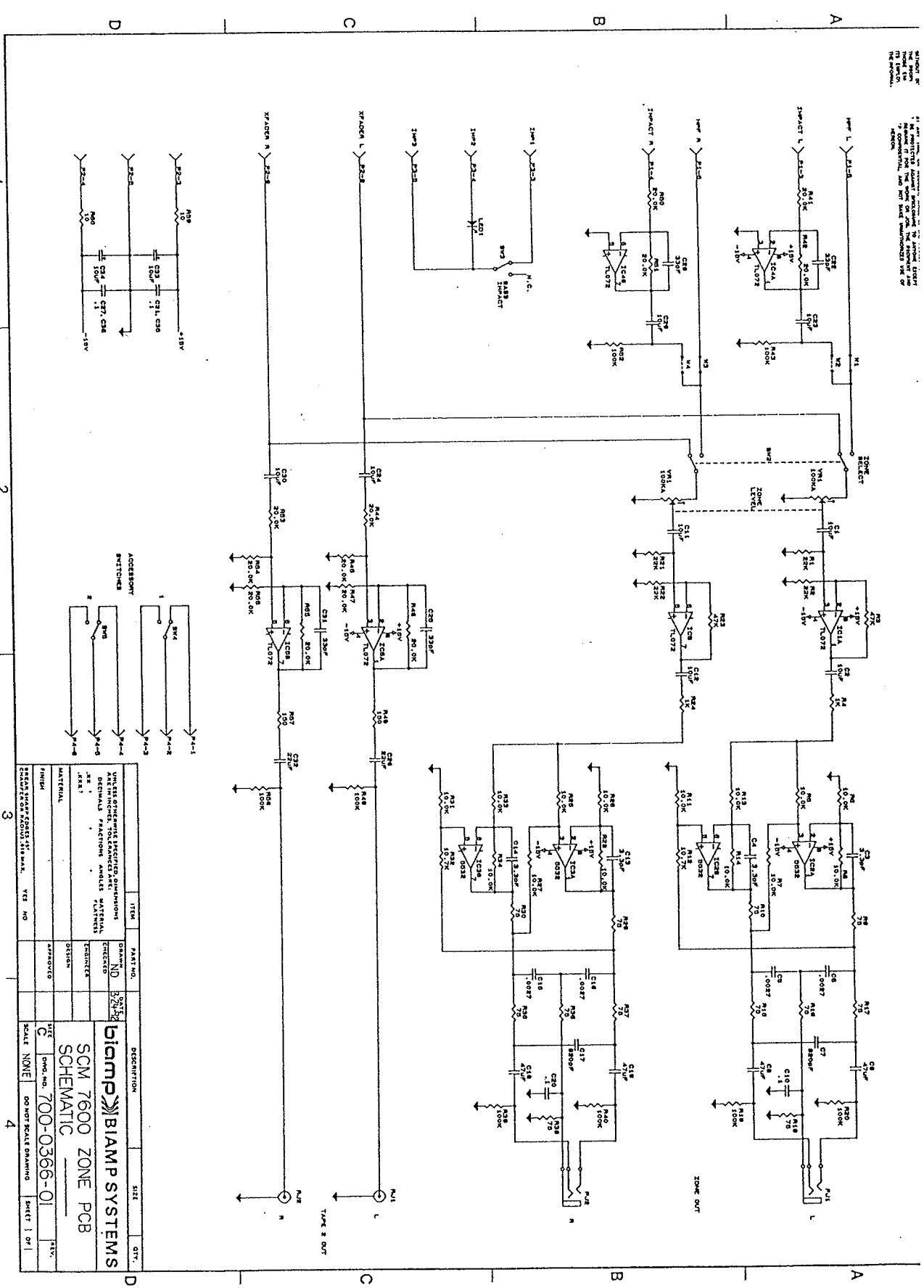
BIAMP SYSTEMS
14270 N.W. Science Park Drive
Portland, Oregon 97229
(503) 641-7287

380-0365-01 REV C
SCM7501 CONTROL ROOM PCB

ITEM	PART NO.	DESCRIPTION	QTY
1	ND 35547	BIAMP SYSTEMS SCM 7600 CONTROL ROOM PCB COMPONENT LAYOUT	1
2	ND 701-0365-01	BIAMP SYSTEMS SCM 7600 CONTROL ROOM PCB COMPONENT LAYOUT	1

13

WITHOUT THE
 THE BOARD
 REPAIR OF THE BOARD ON THE REPAIR AND
 THE BOARD
 THE BOARD

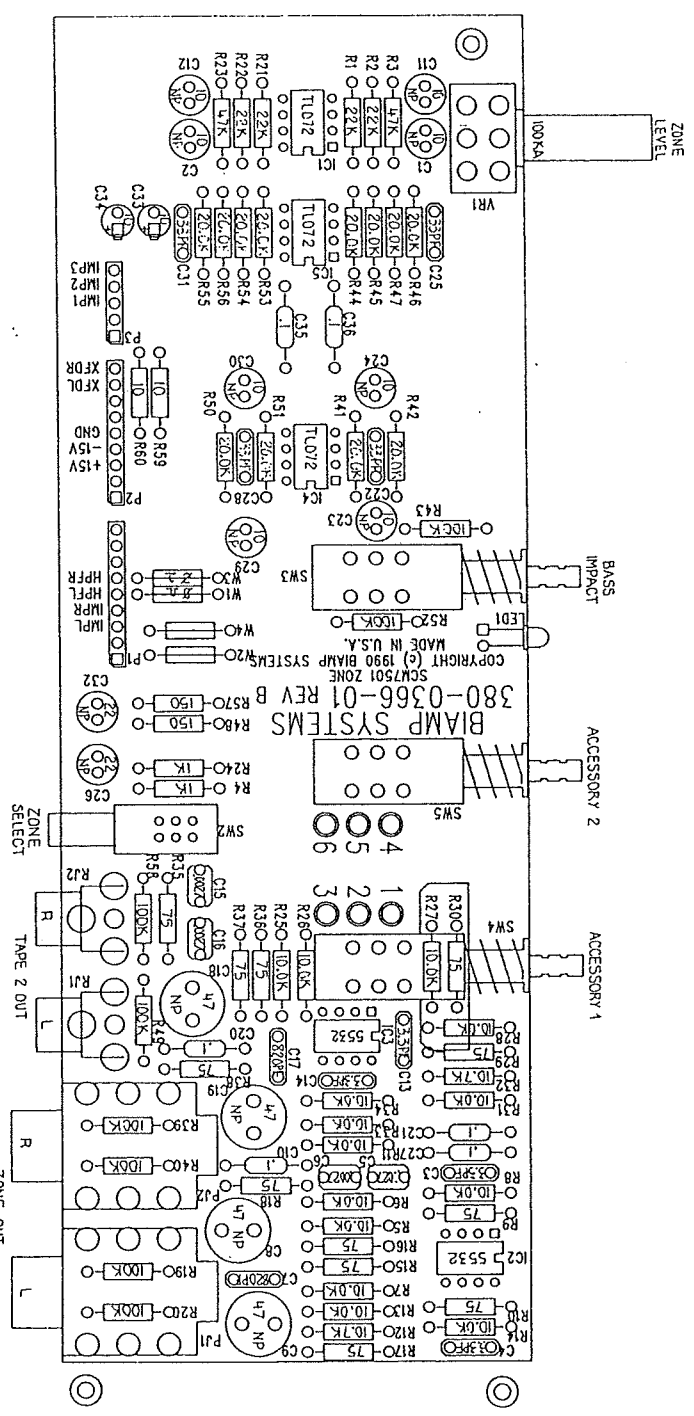


ITEM	PART NO.	DESCRIPTION	SIZE	QTY.
1	SW1	SWITCH		
2	SW2	SWITCH		
3	SW3	SWITCH		
4	SW4	SWITCH		

UNLESS OTHERWISE SPECIFIED, DIMENSIONS ARE IN INCHES. TOLERANCES ARE: MATERIAL .005" (MAX); FINISH .005" (MAX).	DESIGN	APPROVED	DATE	REV.
SCM 7600 ZONE PCB	SCHEMATIC		0000-0000	01
SCALE: NONE	DO NOT SCALE DRAWING	SHEET 1 OF 1		

14

The drawings in this document are made to the best of our knowledge and belief and are not intended to be construed as a warranty, expressed or implied, or as a representation of the accuracy of the information contained herein. The user shall be responsible for the interpretation and application of the information contained herein.

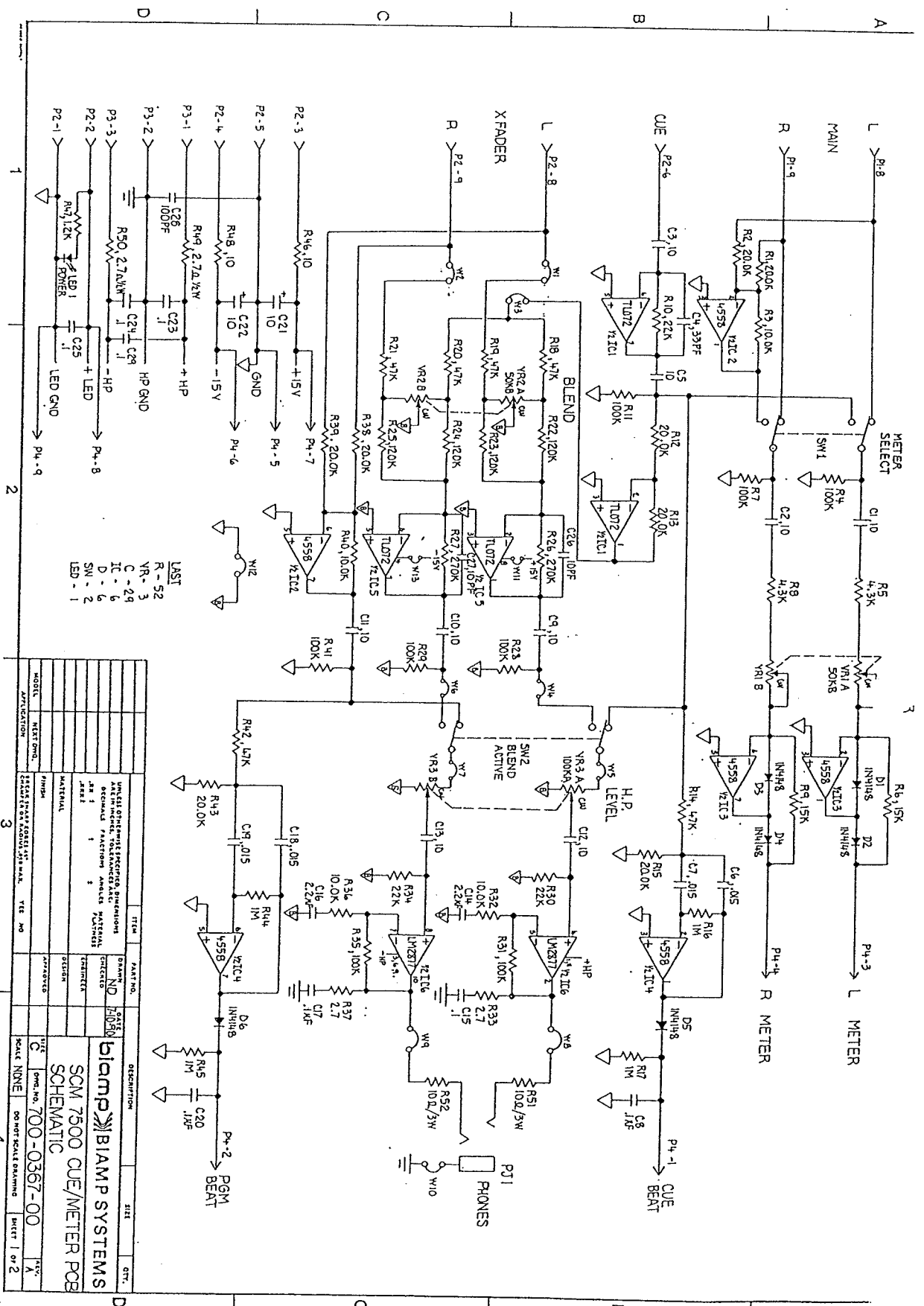


BIAMP SYSTEMS
 14270 N.W. Science Park Drive
 Portland, Oregon 97229
 (503) 641-7287

380-0366-01 REV B
 SCW7501 ZONE PCB

ITEM	PART NO.	DESCRIPTION	QTY.
1	NO. 52592	BIAMP SYSTEMS SCM 7600 ZONE PCB COMPONENT LAYOUT	1
MATERIAL		DESIGN	REV.
FINISH		DATE	BY
CHECKED BY		DATE	BY
DRAWN BY		DATE	BY
DESIGNED BY		DATE	BY
APPROVED		DATE	BY
SCALE NONE		DO NOT SCALE DRAWING	SHEET 1 OF 1

15



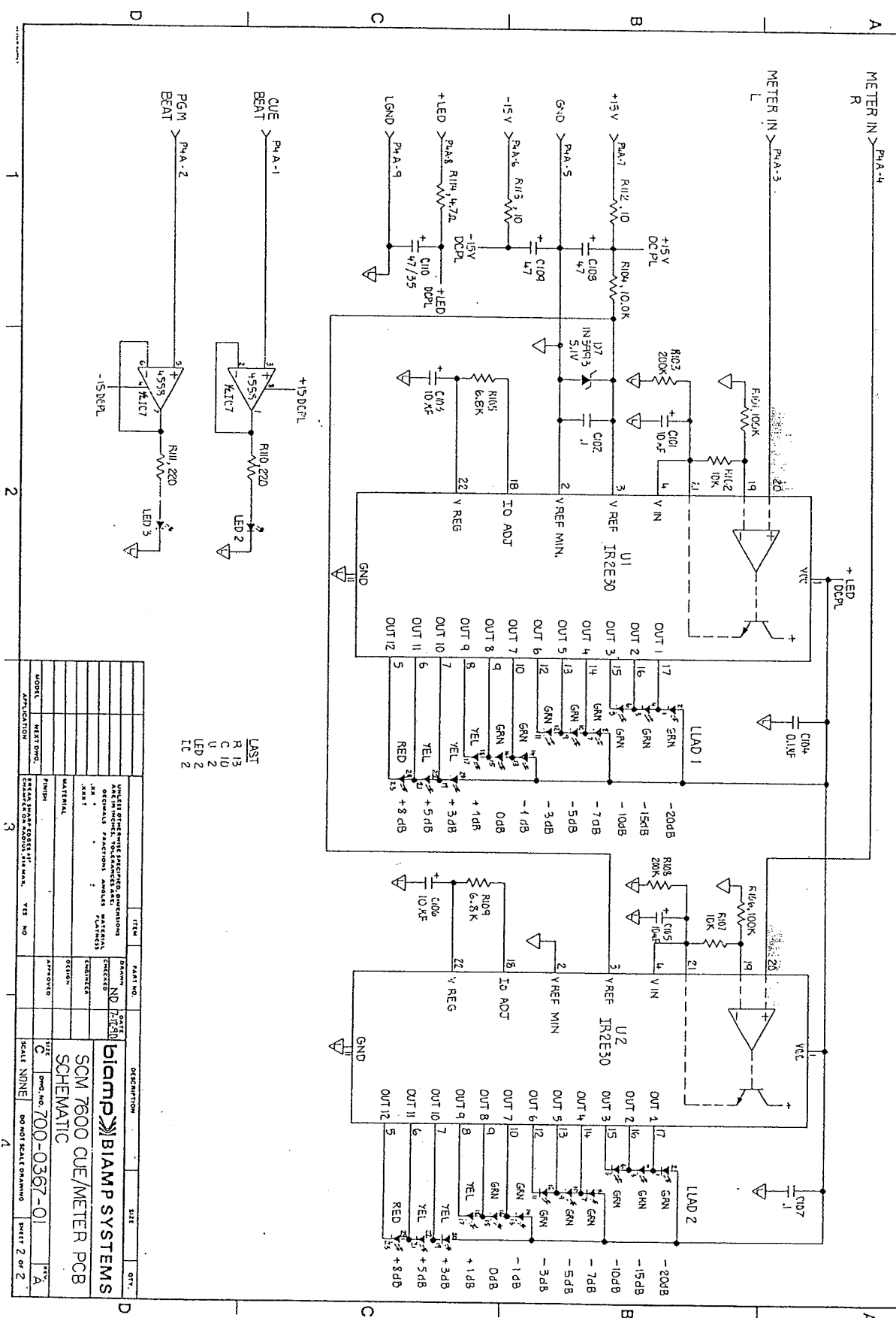
ITEM	PART NO.	DESCRIPTION	QTY.
RESISTORS	VARIOUS	VARIOUS	VARIOUS
CAPACITORS	VARIOUS	VARIOUS	VARIOUS
OP-AMPS	4558	OP-AMP	8
DIODES	1N4148	DIODE	8
SWITCHES	SW1, SW2	SWITCH	2
CONNECTORS	P1-P4	CONNECTOR	4
PRINTED BOARD	SCM 7500	PCB	1

APPROVED	DATE	BY
DESIGNED	DATE	BY
CHECKED	DATE	BY
TESTED	DATE	BY
ASSEMBLED	DATE	BY
FINISHED	DATE	BY

MODEL	APPLICATION	REV. NO.	DATE
SCM 7500	DO NOT SCALE DRAWING	00	7-00-0367

16

THIS DRAWING IS THE PROPERTY OF BIAMP SYSTEMS, INC. IT IS TO BE USED ONLY FOR THE PROJECT AND QUANTITY SPECIFIED. IT IS NOT TO BE REPRODUCED, COPIED, OR TRANSMITTED IN ANY FORM OR BY ANY MEANS, ELECTRONIC OR MECHANICAL, INCLUDING PHOTOCOPYING, RECORDING, OR BY ANY INFORMATION STORAGE AND RETRIEVAL SYSTEM. BIAMP SYSTEMS, INC. IS NOT RESPONSIBLE FOR ANY DAMAGE TO PROPERTY OR PERSONS ARISING FROM THE USE OF THIS DRAWING.



ITEM	PART NO.	DESCRIPTION	SIZE	QTY.
1	NO. 7800	BIAMP SYSTEMS		
2	NO. 7800	SCM 7800 CUE/METER PCB		
3	NO. 700-0367-01	SCHEMATIC		
4	NO. 700-0367-01	SCHEMATIC		
5	NO. 700-0367-01	SCHEMATIC		
6	NO. 700-0367-01	SCHEMATIC		
7	NO. 700-0367-01	SCHEMATIC		
8	NO. 700-0367-01	SCHEMATIC		
9	NO. 700-0367-01	SCHEMATIC		
10	NO. 700-0367-01	SCHEMATIC		
11	NO. 700-0367-01	SCHEMATIC		
12	NO. 700-0367-01	SCHEMATIC		
13	NO. 700-0367-01	SCHEMATIC		
14	NO. 700-0367-01	SCHEMATIC		
15	NO. 700-0367-01	SCHEMATIC		
16	NO. 700-0367-01	SCHEMATIC		
17	NO. 700-0367-01	SCHEMATIC		
18	NO. 700-0367-01	SCHEMATIC		
19	NO. 700-0367-01	SCHEMATIC		
20	NO. 700-0367-01	SCHEMATIC		
21	NO. 700-0367-01	SCHEMATIC		
22	NO. 700-0367-01	SCHEMATIC		
23	NO. 700-0367-01	SCHEMATIC		
24	NO. 700-0367-01	SCHEMATIC		
25	NO. 700-0367-01	SCHEMATIC		
26	NO. 700-0367-01	SCHEMATIC		
27	NO. 700-0367-01	SCHEMATIC		
28	NO. 700-0367-01	SCHEMATIC		
29	NO. 700-0367-01	SCHEMATIC		
30	NO. 700-0367-01	SCHEMATIC		
31	NO. 700-0367-01	SCHEMATIC		
32	NO. 700-0367-01	SCHEMATIC		
33	NO. 700-0367-01	SCHEMATIC		
34	NO. 700-0367-01	SCHEMATIC		
35	NO. 700-0367-01	SCHEMATIC		
36	NO. 700-0367-01	SCHEMATIC		
37	NO. 700-0367-01	SCHEMATIC		
38	NO. 700-0367-01	SCHEMATIC		
39	NO. 700-0367-01	SCHEMATIC		
40	NO. 700-0367-01	SCHEMATIC		
41	NO. 700-0367-01	SCHEMATIC		
42	NO. 700-0367-01	SCHEMATIC		
43	NO. 700-0367-01	SCHEMATIC		
44	NO. 700-0367-01	SCHEMATIC		
45	NO. 700-0367-01	SCHEMATIC		
46	NO. 700-0367-01	SCHEMATIC		
47	NO. 700-0367-01	SCHEMATIC		
48	NO. 700-0367-01	SCHEMATIC		
49	NO. 700-0367-01	SCHEMATIC		
50	NO. 700-0367-01	SCHEMATIC		
51	NO. 700-0367-01	SCHEMATIC		
52	NO. 700-0367-01	SCHEMATIC		
53	NO. 700-0367-01	SCHEMATIC		
54	NO. 700-0367-01	SCHEMATIC		
55	NO. 700-0367-01	SCHEMATIC		
56	NO. 700-0367-01	SCHEMATIC		
57	NO. 700-0367-01	SCHEMATIC		
58	NO. 700-0367-01	SCHEMATIC		
59	NO. 700-0367-01	SCHEMATIC		
60	NO. 700-0367-01	SCHEMATIC		
61	NO. 700-0367-01	SCHEMATIC		
62	NO. 700-0367-01	SCHEMATIC		
63	NO. 700-0367-01	SCHEMATIC		
64	NO. 700-0367-01	SCHEMATIC		
65	NO. 700-0367-01	SCHEMATIC		
66	NO. 700-0367-01	SCHEMATIC		
67	NO. 700-0367-01	SCHEMATIC		
68	NO. 700-0367-01	SCHEMATIC		
69	NO. 700-0367-01	SCHEMATIC		
70	NO. 700-0367-01	SCHEMATIC		
71	NO. 700-0367-01	SCHEMATIC		
72	NO. 700-0367-01	SCHEMATIC		
73	NO. 700-0367-01	SCHEMATIC		
74	NO. 700-0367-01	SCHEMATIC		
75	NO. 700-0367-01	SCHEMATIC		
76	NO. 700-0367-01	SCHEMATIC		
77	NO. 700-0367-01	SCHEMATIC		
78	NO. 700-0367-01	SCHEMATIC		
79	NO. 700-0367-01	SCHEMATIC		
80	NO. 700-0367-01	SCHEMATIC		
81	NO. 700-0367-01	SCHEMATIC		
82	NO. 700-0367-01	SCHEMATIC		
83	NO. 700-0367-01	SCHEMATIC		
84	NO. 700-0367-01	SCHEMATIC		
85	NO. 700-0367-01	SCHEMATIC		
86	NO. 700-0367-01	SCHEMATIC		
87	NO. 700-0367-01	SCHEMATIC		
88	NO. 700-0367-01	SCHEMATIC		
89	NO. 700-0367-01	SCHEMATIC		
90	NO. 700-0367-01	SCHEMATIC		
91	NO. 700-0367-01	SCHEMATIC		
92	NO. 700-0367-01	SCHEMATIC		
93	NO. 700-0367-01	SCHEMATIC		
94	NO. 700-0367-01	SCHEMATIC		
95	NO. 700-0367-01	SCHEMATIC		
96	NO. 700-0367-01	SCHEMATIC		
97	NO. 700-0367-01	SCHEMATIC		
98	NO. 700-0367-01	SCHEMATIC		
99	NO. 700-0367-01	SCHEMATIC		
100	NO. 700-0367-01	SCHEMATIC		

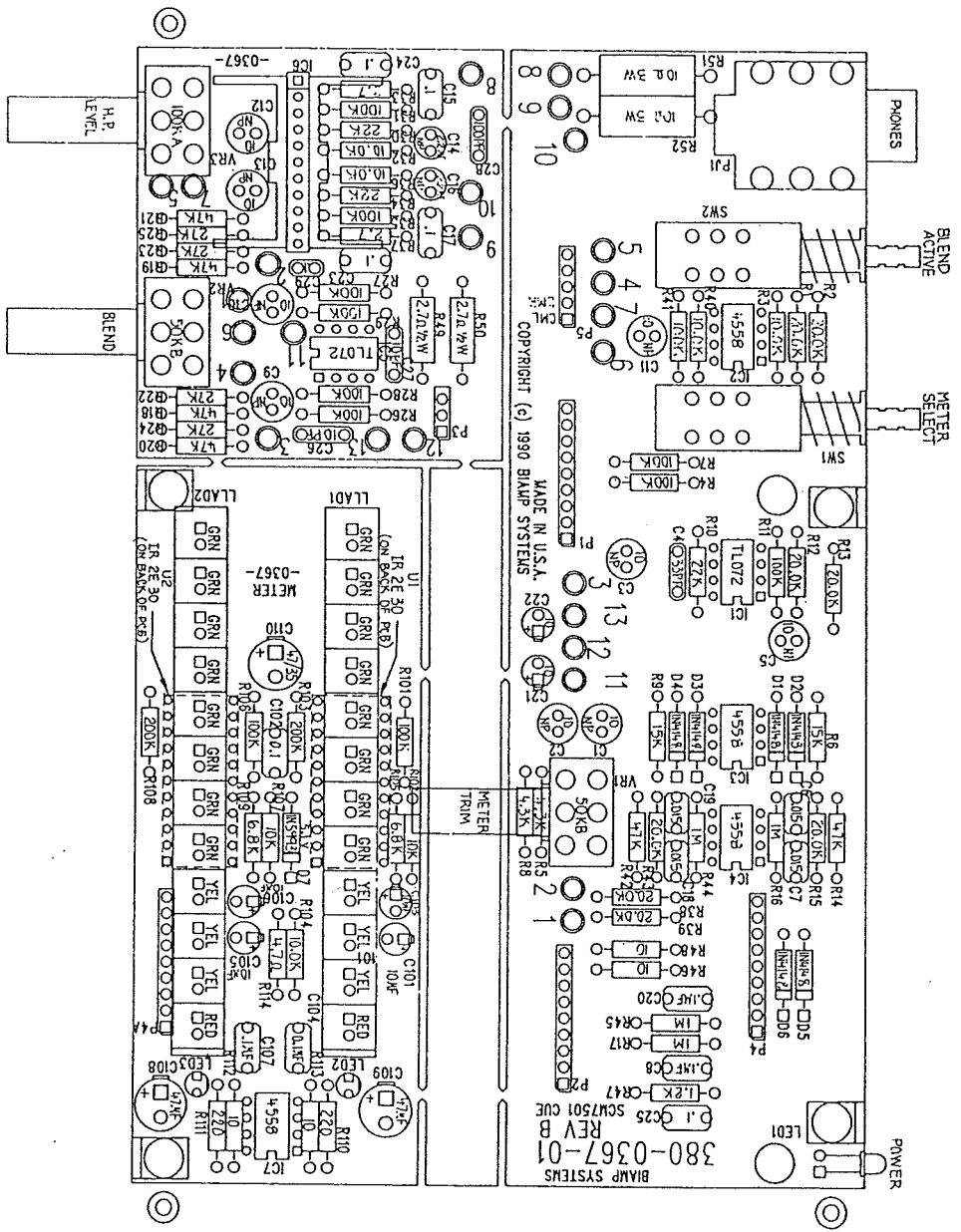
17

THIS DRAWING IS THE PROPERTY OF BIAMP SYSTEMS, INC. AND IS NOT TO BE REPRODUCED OR TRANSMITTED IN ANY FORM OR BY ANY MEANS, ELECTRONIC OR MECHANICAL, INCLUDING PHOTOCOPYING, RECORDING, OR BY ANY INFORMATION STORAGE AND RETRIEVAL SYSTEM. THE COMPANY ASSUMES NO LIABILITY FOR ANY DAMAGE OR LOSS OF PROFITS, BUSINESS, OR REVENUE, OR FOR ANY SPECIAL, INCIDENTAL, OR CONSEQUENTIAL DAMAGES, INCLUDING LOST PROFITS, ARISING OUT OF OR IN CONNECTION WITH THIS DRAWING.

A: 100% VALUE: R22-K27 16-3421-NF

BIAMP SYSTEMS
14270 N.W. Science Park Drive
Portland, Oregon 97229
(503) 641-7287

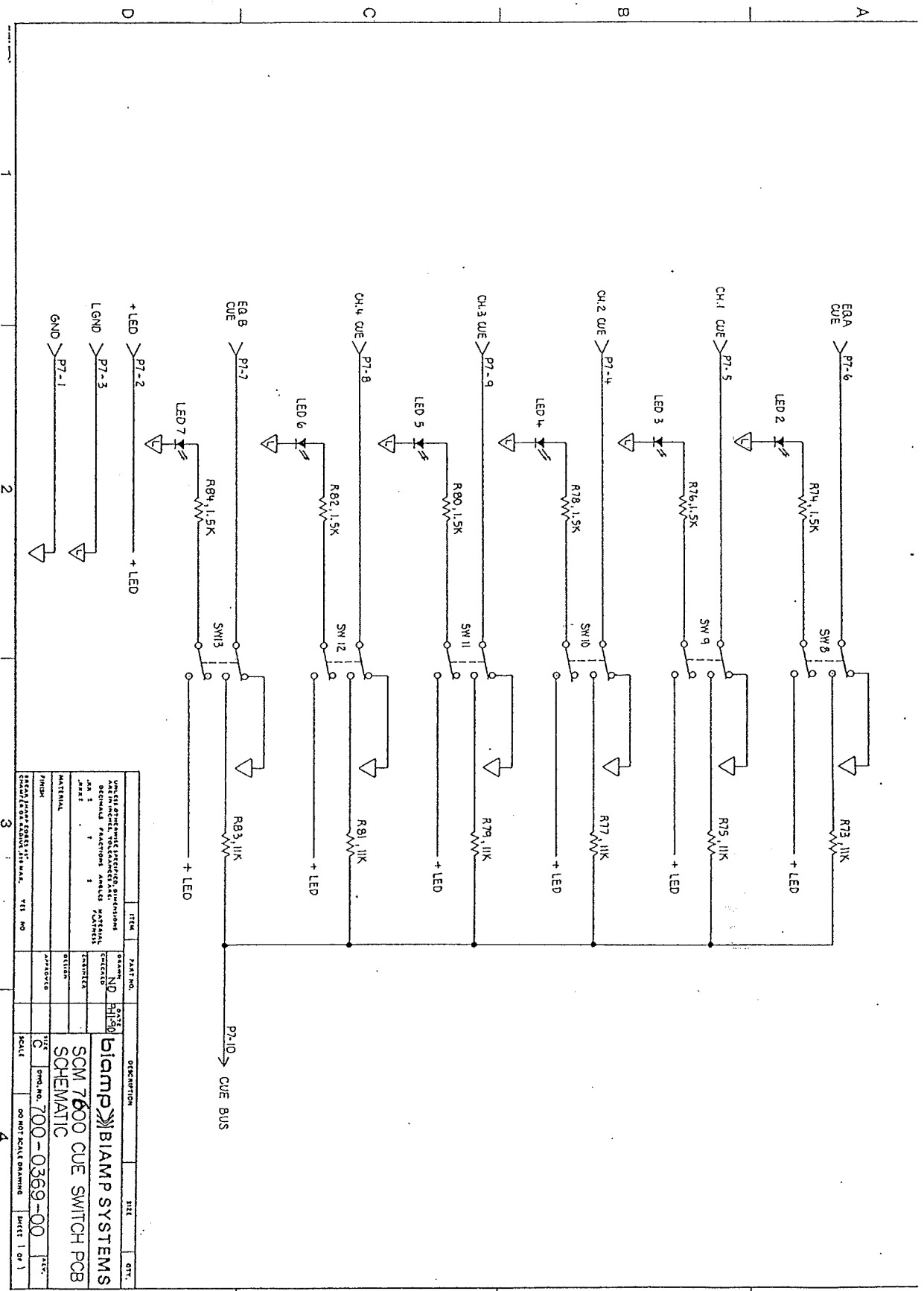
SCM7501 CUE/METER PCB 380-0367-01 REV B



ITEM	PART NO.	DESCRIPTION	SIZE	QTY.
USE LIST OF COMPONENTS FOR SPECIFICATIONS				
ORIGINALS: PARTS AND MATERIALS				
ASSEMBLY: PARTS AND MATERIALS				
APPROVED:				
DATE:				
SCALE:				
SCALE NAME:				
DO NOT SCALE DRAWING				
SHEET:				
OF:				

BIAMP SYSTEMS
SCM 7600 CUE/METER PCB
COMPONENT LAYOUT

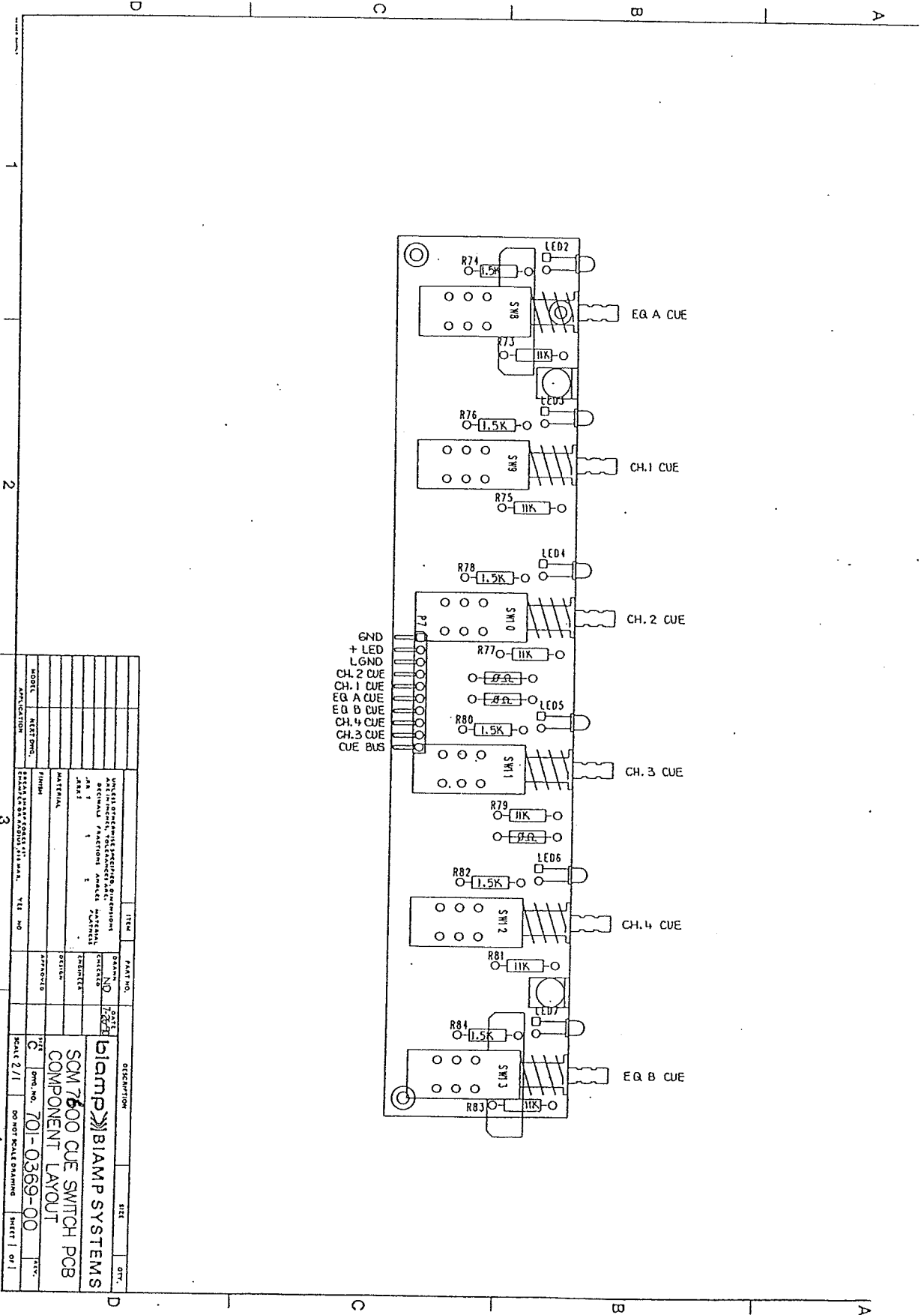
18



UNLESS OTHERWISE SPECIFIED DIMENSIONS ARE IN INCHES. TOLERANCES ARE AS SHOWN.	ITEM	QTY	DESCRIPTION	REV.	DATE
REVISIONS	NO.	DATE	DESCRIPTION		
1	1		SCM 7600 CUE SWITCH PCB SCHEMATIC		
2	1				
3	1				
4	1				
5	1				
6	1				
7	1				
8	1				
9	1				
10	1				
11	1				
12	1				
13	1				
14	1				
15	1				
16	1				
17	1				
18	1				
19	1				
20	1				
21	1				
22	1				
23	1				
24	1				
25	1				
26	1				
27	1				
28	1				
29	1				
30	1				
31	1				
32	1				
33	1				
34	1				
35	1				
36	1				
37	1				
38	1				
39	1				
40	1				
41	1				
42	1				
43	1				
44	1				
45	1				
46	1				
47	1				
48	1				
49	1				
50	1				
51	1				
52	1				
53	1				
54	1				
55	1				
56	1				
57	1				
58	1				
59	1				
60	1				
61	1				
62	1				
63	1				
64	1				
65	1				
66	1				
67	1				
68	1				
69	1				
70	1				
71	1				
72	1				
73	1				
74	1				
75	1				
76	1				
77	1				
78	1				
79	1				
80	1				
81	1				
82	1				
83	1				
84	1				
85	1				
86	1				
87	1				
88	1				
89	1				
90	1				
91	1				
92	1				
93	1				
94	1				
95	1				
96	1				
97	1				
98	1				
99	1				
100	1				

19

02



REV	DATE	DESCRIPTION	SIZE	DRG.
1	7-27-71	SCM 7600 CUE SWITCH PCB COMPONENT LAYOUT	C	701-0369-00
2				
3				
4				

DESIGNER	DATE	DESCRIPTION <td>SIZE</td> <td>DRG.</td>	SIZE	DRG.
UNITS	NO	NO	NO	NO
ASSEMBLY	NO	NO	NO	NO
TESTING	NO	NO	NO	NO
FINISH	NO	NO	NO	NO
APPROVALS	NO	NO	NO	NO
APPROVED	NO	NO	NO	NO
DATE	NO	NO	NO	NO
SCALE	2/1	DO NOT SCALE DRAWING	SHEET	OF 1

WARRANTY

BIAMP IS PLEASED TO EXTEND THE FOLLOWING 1-YEAR LIMITED WARRANTY TO THE ORIGINAL PURCHASER OF THE PROFESSIONAL SOUND EQUIPMENT DESCRIBED IN THIS OWNER'S MANUAL.

BIAMP Systems expressly warrants this product to be free from defects in material and workmanship for a period of 1 YEAR from the date of purchase as a new product from an authorized BIAMP dealer under the following conditions.

1. The Purchaser is responsible for completing and mailing to BIAMP, within 10 days of purchase, the attached warranty application.
2. In the event the warranted BIAMP product requires service during the warranty period, BIAMP will repair or replace, at its option, defective materials, provided you have identified yourself as the original purchaser of the product to any authorized BIAMP Service Center. Transportation and insurance charges to and from an authorized Service Center or the BIAMP factory for warranted products or components thereof to obtain repairs shall be the responsibility of the Purchaser.
3. This warranty will be VOIDED if the serial number has been removed or defaced; or if the product has been subjected to accidental damage, abuse, rental usage, alterations, or attempted repair by any person not authorized by BIAMP to make repairs; or if the product has been installed contrary to BIAMP's instructions.
4. The normal wear and tear of appearance items such as paint, knobs, handles, and covers is not covered under this warranty.

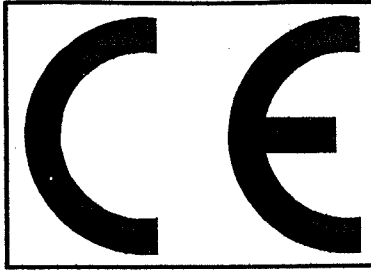
5. BIAMP SHALL NOT IN ANY EVENT BE LIABLE FOR SPECIAL, INCIDENTAL, OR CONSEQUENTIAL DAMAGES, INCLUDING LOST PROFITS, LOSS OF USE, PROPERTY DAMAGE, INJURY TO GOODWILL, OR OTHER ECONOMIC LOSS OF ANY SORT. EXCEPT AS EXPRESSLY PROVIDED HEREIN, BIAMP DISCLAIMS ALL OTHER LIABILITY TO PURCHASER OR ANY OTHER PERSONS ARISING OUT OF USE OR PERFORMANCE OF THE PRODUCT, INCLUDING LIABILITY FOR NEGLIGENCE OR STRICT LIABILITY IN TORT.

6. THIS WARRANTY IS IN LIEU OF ALL OTHER WARRANTIES EXPRESSED OR IMPLIED. BIAMP EXPRESSLY DISCLAIMS ALL IMPLIED WARRANTIES OF MERCHANTABILITY AND FITNESS FOR A PARTICULAR PURPOSE. THE REMEDIES SET FORTH HEREIN SHALL BE THE PURCHASER'S SOLE AND EXCLUSIVE REMEDIES WITH RESPECT TO ANY DEFECTIVE PRODUCT. THE AGENTS, EMPLOYEES, DISTRIBUTORS, AND DEALERS OF BIAMP ARE NOT AUTHORIZED TO MODIFY THIS WARRANTY OR TO MAKE ADDITIONAL WARRANTIES BINDING ON BIAMP. ACCORDINGLY, ADDITIONAL STATEMENTS SUCH AS DEALER ADVERTISEMENTS OR REPRESENTATIONS DO NOT CONSTITUTE WARRANTIES BY BIAMP.

7. No action for breach of this warranty may be commenced more than one year after the expiration of this warranty.

Thank you for purchasing BIAMP...
AMERICAN SOUND CRAFTSMANSHIP

Biamp Systems
14130 N.W. Science Park
Portland, Oregon 97229
(503) 641-7287



Declaration of Conformity

BIAMP SYSTEMS
14130 NW Science Park Drive
Portland, OR USA 97229

as the manufacturer, hereby declares that the following described product, in our delivered version, complies with the provisions of the DIRECTIVES as noted herein. In case of alteration of the product, not agreed upon or directed by us, this declaration is no longer valid.

Product: Model: SCM7600
 Description: Audio Stereo Club Mixer

Applicable EC Directives: EMC Directive (89/336/EEC)

Applicable Harmonized Standards: EN55013 emissions EN55020 immunity

Applicable National Standards: not applicable

Special Considerations for Product Environment or Compliance: none

The Technical Report/File is maintained at:

Biamp Systems
14130 N.W. Science Park Drive
Portland, OR USA 97229
phone: (503) 641-7287 fax: (503) 626-0281
e-mail: biampsys@aol.com

Authorized Representative: Ralph Lockhart, President

Authorized Representative Signature:

A handwritten signature in black ink, appearing to read 'Ralph D. Lockhart', written over a horizontal line.

Issued: 1996