

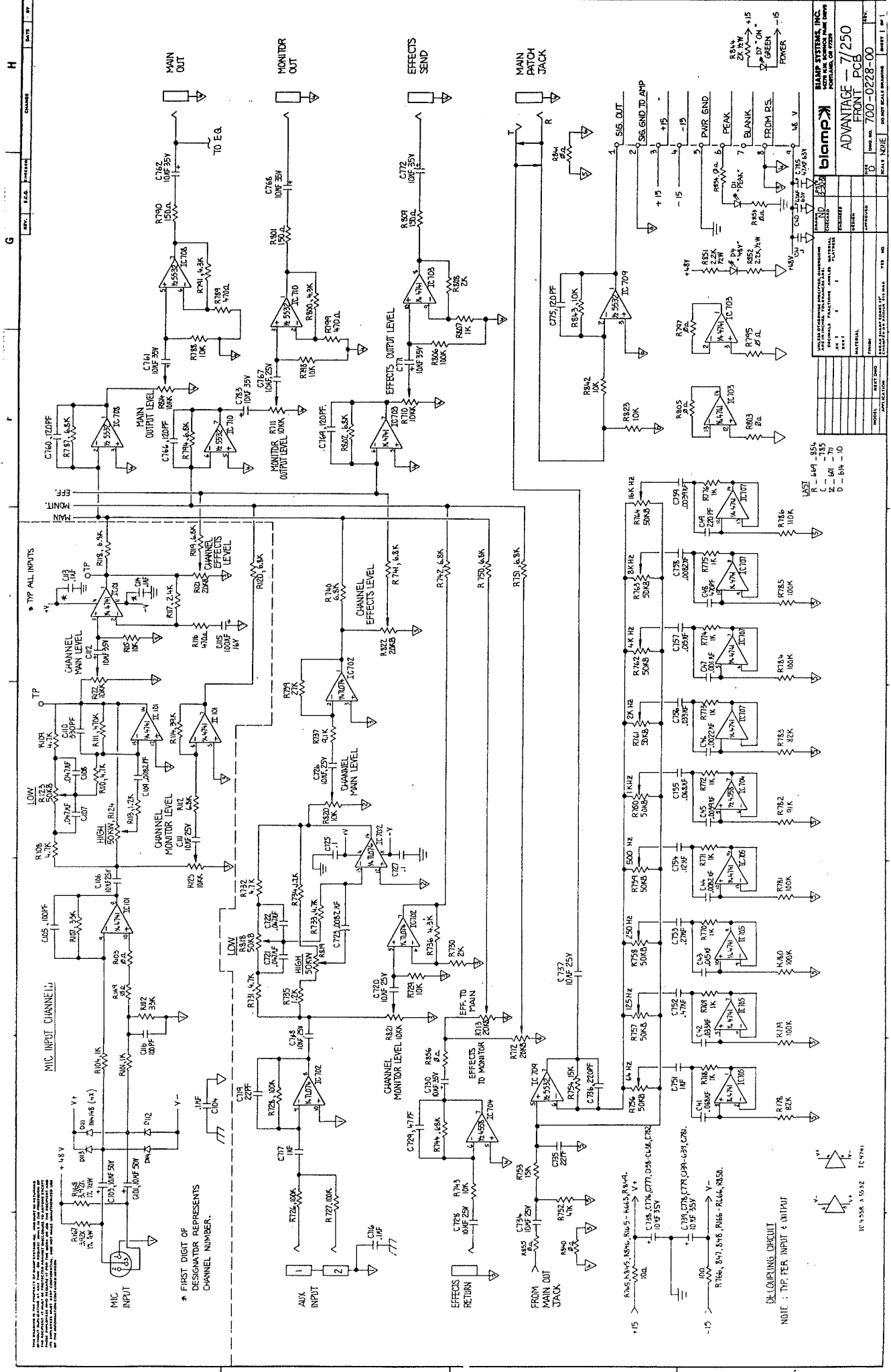
7/250 & 7/300

Schematic

B I A M P[®]

S Y S T E M S

10074 SW Arctic Drive Beaverton, OR 97005 503-641-7287



* FIRST DIGIT OF DESIGNATOR REPRESENTS CHANNEL NUMBER.

DE-COUPLING CIRCUIT
NOTE: TP, PER INPUT & OUTPUT

REV. 1.0

DATE: 10/28/80

CHANNEL: H

REV. 1.0

DATE: 10/28/80

CHANNEL: H

REV. 1.0

DATE: 10/28/80

CHANNEL: H

blamp

ADVANTAGE FRONT PCB

7/250

700-0228-00

PCB

REV. 1.0

DATE: 10/28/80

CHANNEL: H

IC 9558, 9592 IC 741

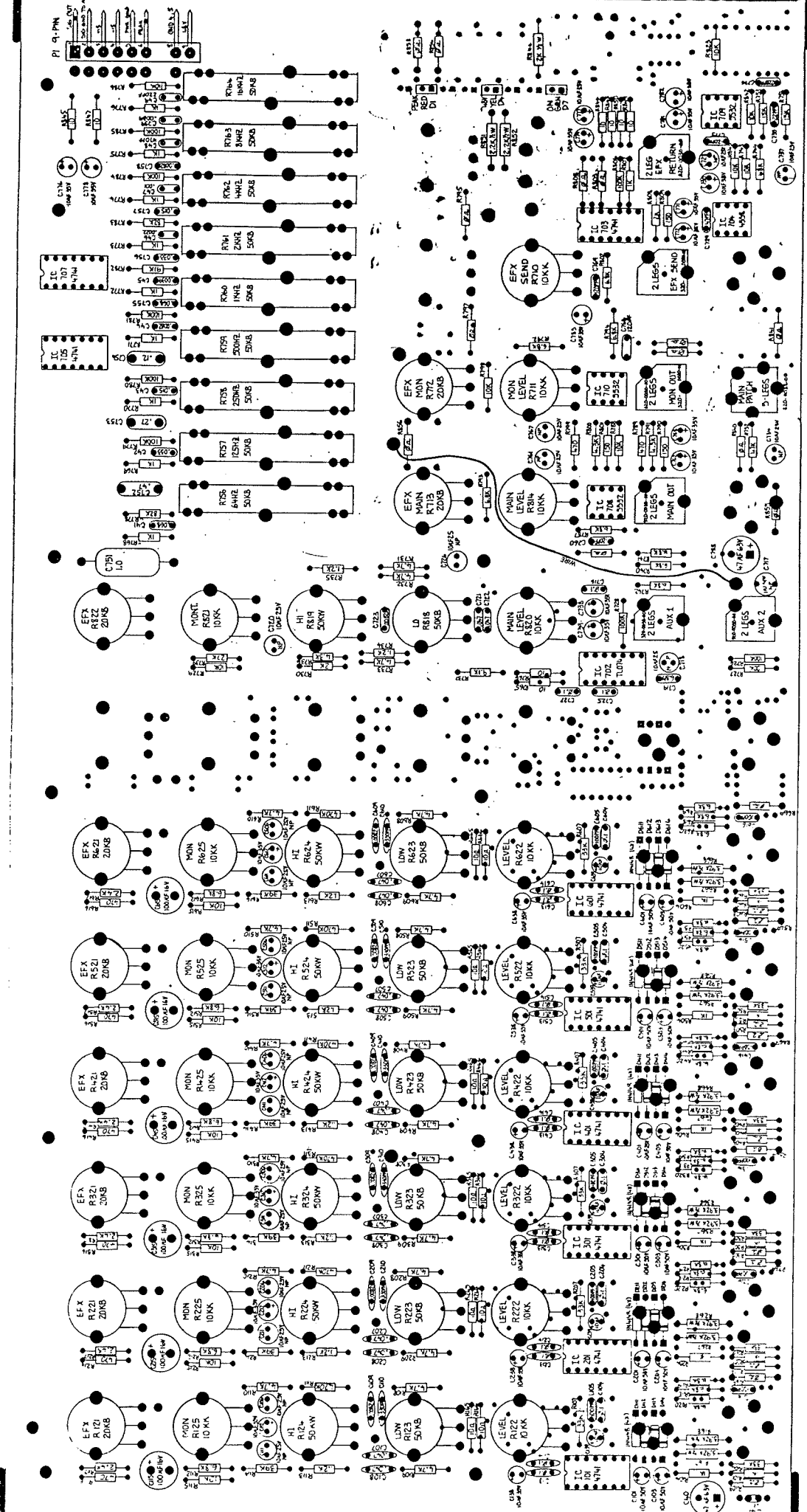
DE-COUPLING CIRCUIT

NOTE: TP, PER INPUT & OUTPUT

REV. 1.0

DATE: 10/28/80

CHANNEL: H



NOTES:
1. ALL DIODES MOUNTED ON REAR OF PCB.

CUSTOMER: BIRMP

TITLE: 7 CHANNEL MIXER

JOB NO.: 05712

PRJ. NO.:

DATE: 3-5-86

ENGINEER: RICK DOERSCH

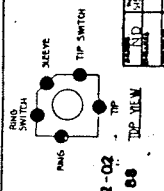
DESIGNER: JEFF REED

LAYER:

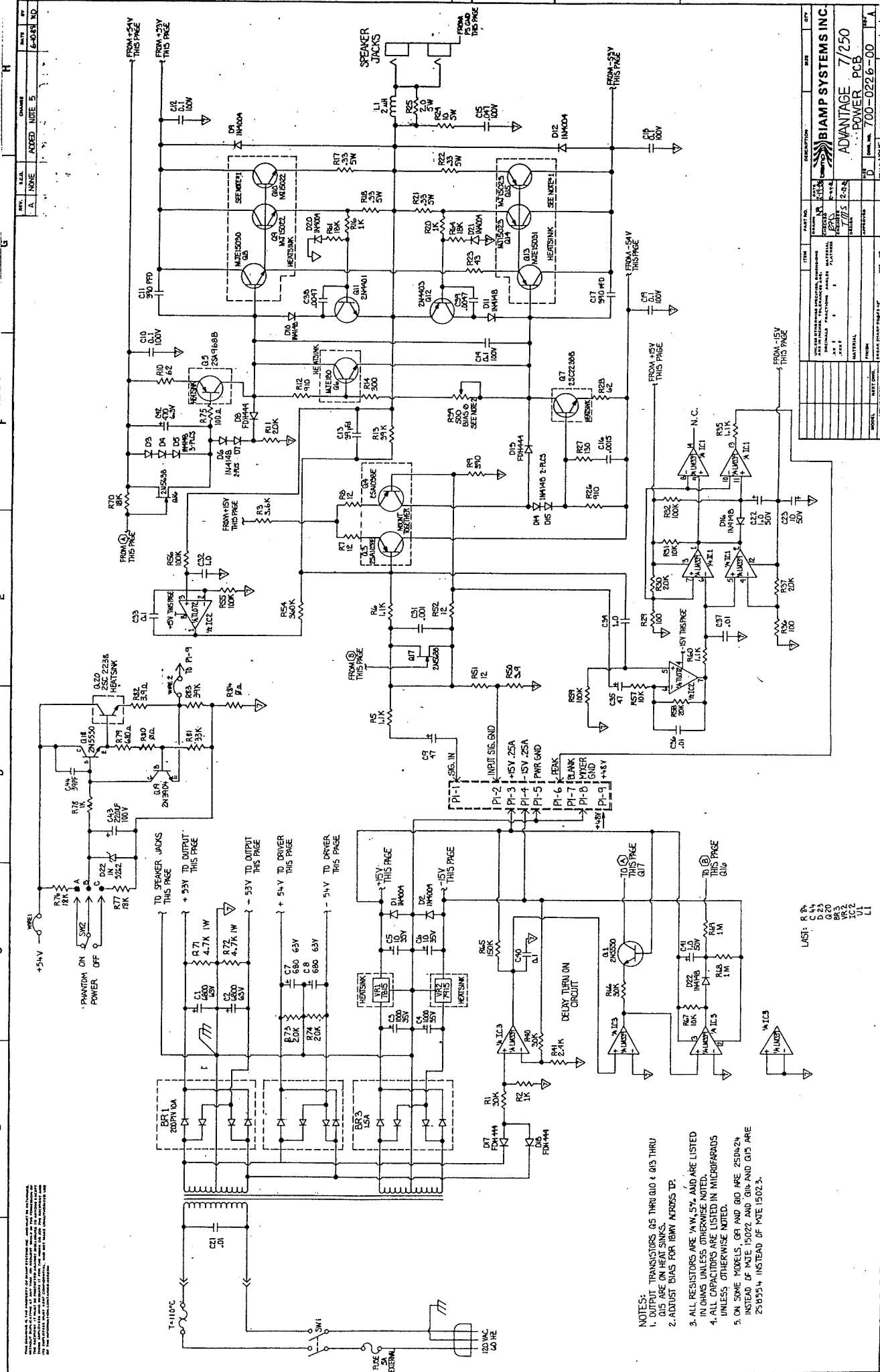
REV:

~~INTERGRAPHICS, INC.
KIRKLAND, WA 98033
PORTLAND, OR
(503) 684-3142~~

360-0152-02
5-8-88



blamp BIAMP SYSTEMS
ADVANTAGE 7/250
FRONT PCB LUMP LAYOUT
701-0228-00



REV.	DATE	BY	CHKD.	APP.	DESCRIPTION
A	NOV 5				POWER PCB
					ADDED NOTE 5
					6-0481-00

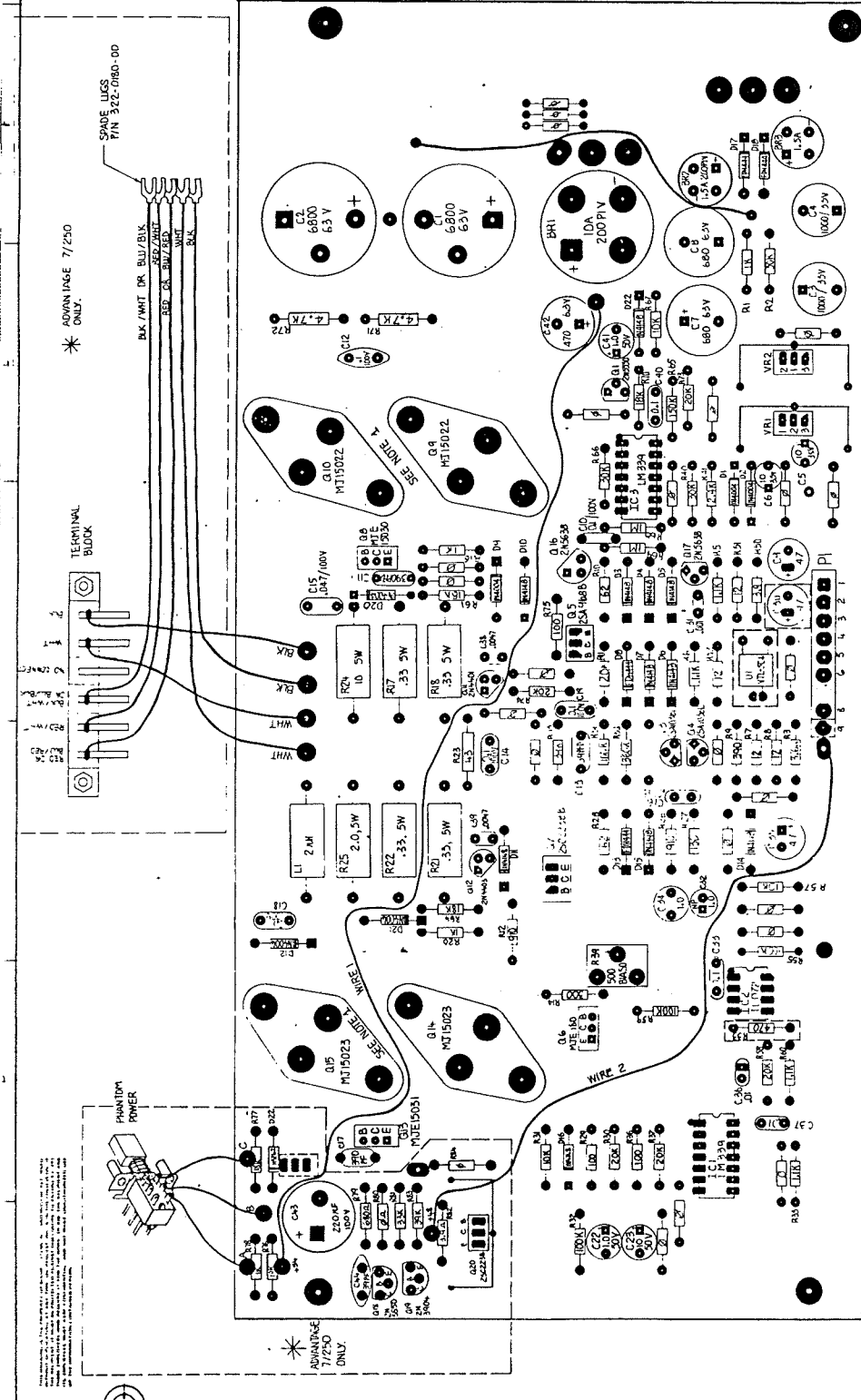
- NOTES:
1. OUTPUT TRANSISTORS Q3 THRU Q10 & Q13 THRU Q15 ARE ON HEAT SINKS.
 2. ADJUST BIAS FOR 60W ACROSS TP.
 3. ALL RESISTORS ARE $\pm 1\%$ AND ARE LISTED IN OHMS UNLESS OTHERWISE NOTED.
 4. ALL CAPACITORS ARE LISTED IN MICROFARADS UNLESS OTHERWISE NOTED.
 5. ON SOME MODELS, Q8 AND Q10 ARE 2SD1424 INSTEAD OF MJE 15022 AND Q14 AND Q15 ARE 2S8554 INSTEAD OF MJE 15023.

LAST: R 84
 C 44
 D 23
 Q 20
 Q 21
 VR 2
 IC 2
 L 1

REV.	DATE	BY	CHKD.	APP.	DESCRIPTION
A	NOV 5				POWER PCB
					ADDED NOTE 5
					6-0481-00

BIAMP SYSTEMS INC.
 ADVANTAGE 7/250
 POWER PCB
 700-0226-00

REV	ECO	REVISION	DATE	BY
1	130-B7	INITIAL RELEASE FOR 310-051-05 PCB	6-24-67	ND
2	200 (234-37)	UPDATE FOR 310-051-05 REA 9-27-68	4-27-68	ND
3	000 (07-88)	ADDED 7/250 ADVANTAGE AND	4-27-68	ND
4	1000	ADDED NOTE 1	6-24-68	ND



310-051-04

REV	ECO	REVISION	DATE	BY
1	130-B7	INITIAL RELEASE FOR 310-051-05 PCB	6-24-67	ND
2	200 (234-37)	UPDATE FOR 310-051-05 REA 9-27-68	4-27-68	ND
3	000 (07-88)	ADDED 7/250 ADVANTAGE AND	4-27-68	ND
4	1000	ADDED NOTE 1	6-24-68	ND

NOTES:
 1. ON SOME MODELS, D1 AND D10 ARE 25M24 INSTEAD OF M3E 15022
 AND G14 AND G15 ARE 25B554 INSTEAD OF M3E 15023.

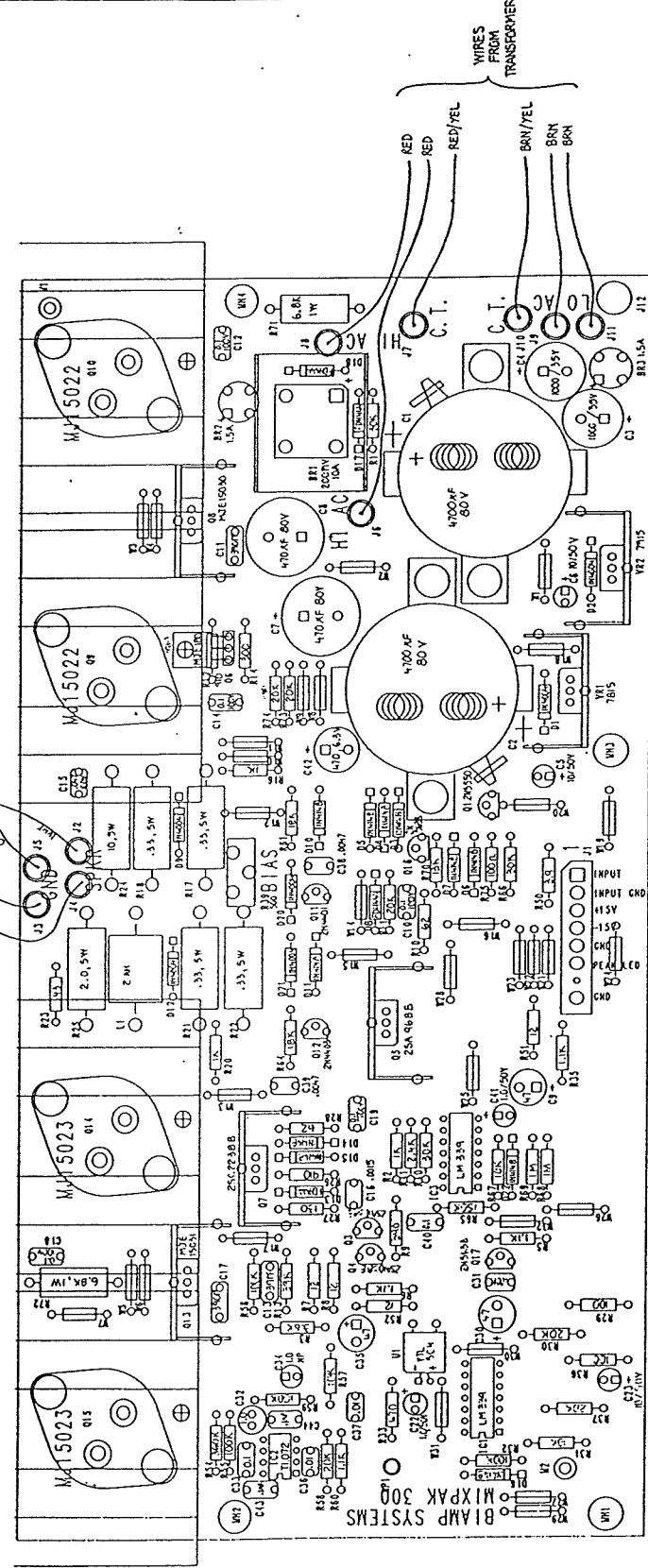
blampk BLAMP SYSTEMS, INC.
 1000 W. 10TH AVENUE, SUITE 100
 DENVER, COLORADO 80202

COMPONENT LAYOUT POWER PCB
 MIXER AND ADVANTAGE 7/250

DATE: 7/250
 PART NO: 310-051-04
 MODEL: 701-0206-00 MIXER
 REV: 10
 DATE: 7/250

REV.	DATE	BY
A	08-10	SWARTZ, D.L. & DE

BIAMP SYSTEMS
10074 SW ARCTIC DRIVE
BEAVERTON, OR 97005



BIAMP SYSTEMS
10074 SW ARCTIC DRIVE
BEAVERTON, OR 97005

BIAMP SYSTEMS
MIXPAX 300 REAR POWER PCB
380-0300-00

NOTES:
COMPONENTS SHOWN ARE RES. B.A.

REV.	DATE	BY
A	08-10	SWARTZ, D.L. & DE

REV.	DATE	BY
A	08-10	SWARTZ, D.L. & DE

REV.	DATE	BY
A	08-10	SWARTZ, D.L. & DE

REV.	DATE	BY
A	08-10	SWARTZ, D.L. & DE

REV.	DATE	BY
A	08-10	SWARTZ, D.L. & DE