

82 Series

# Schematic

**B I A M P<sup>®</sup>**

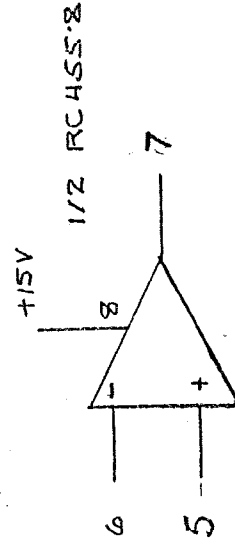
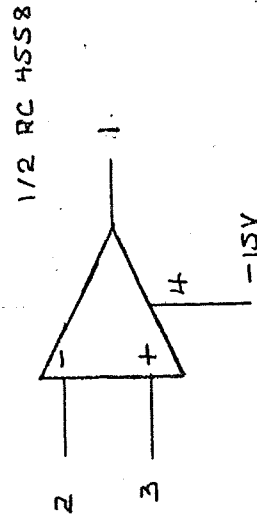
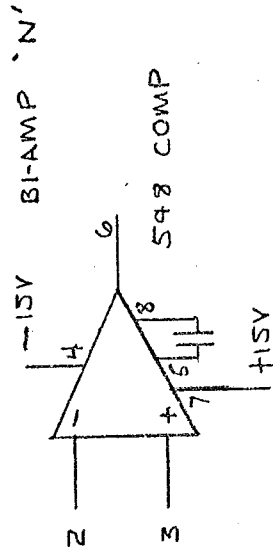
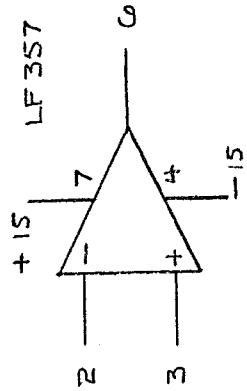
---

S Y S T E M S

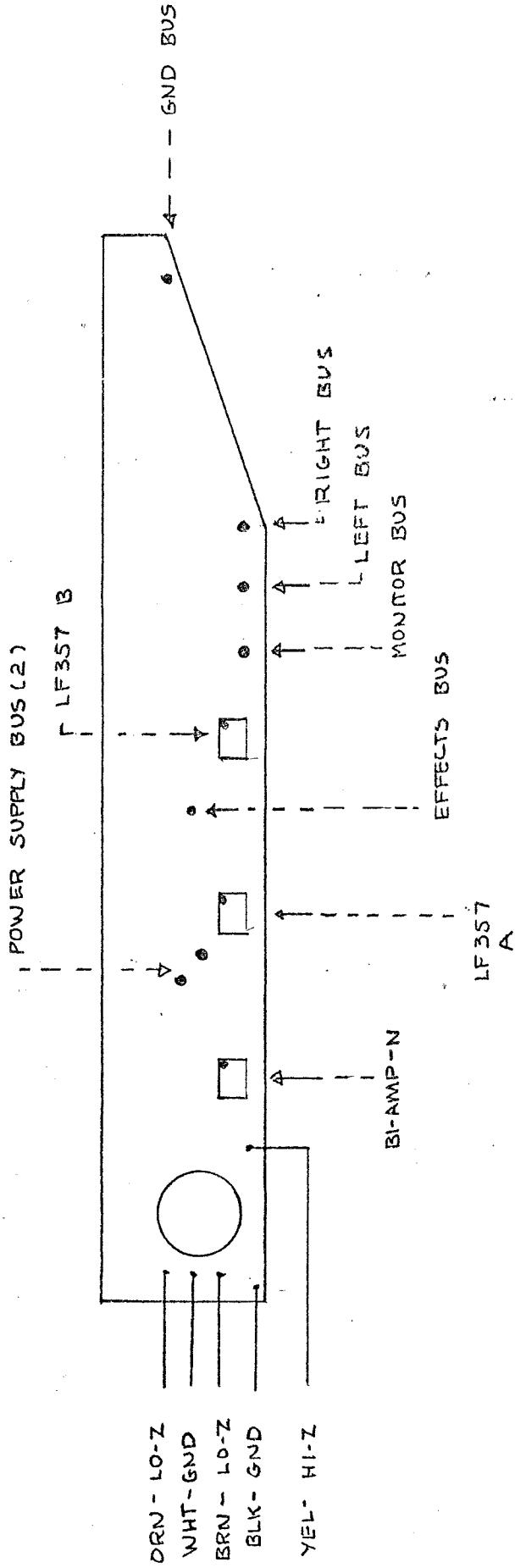
10074 SW Arctic Drive      Beaverton, OR 97005      503-641-7287

# IC DESCRIPTION OUTLINE

## 6-12 CHANNEL MIXERS

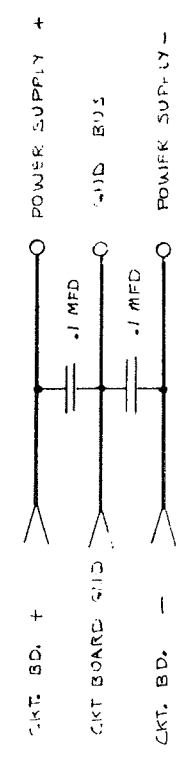
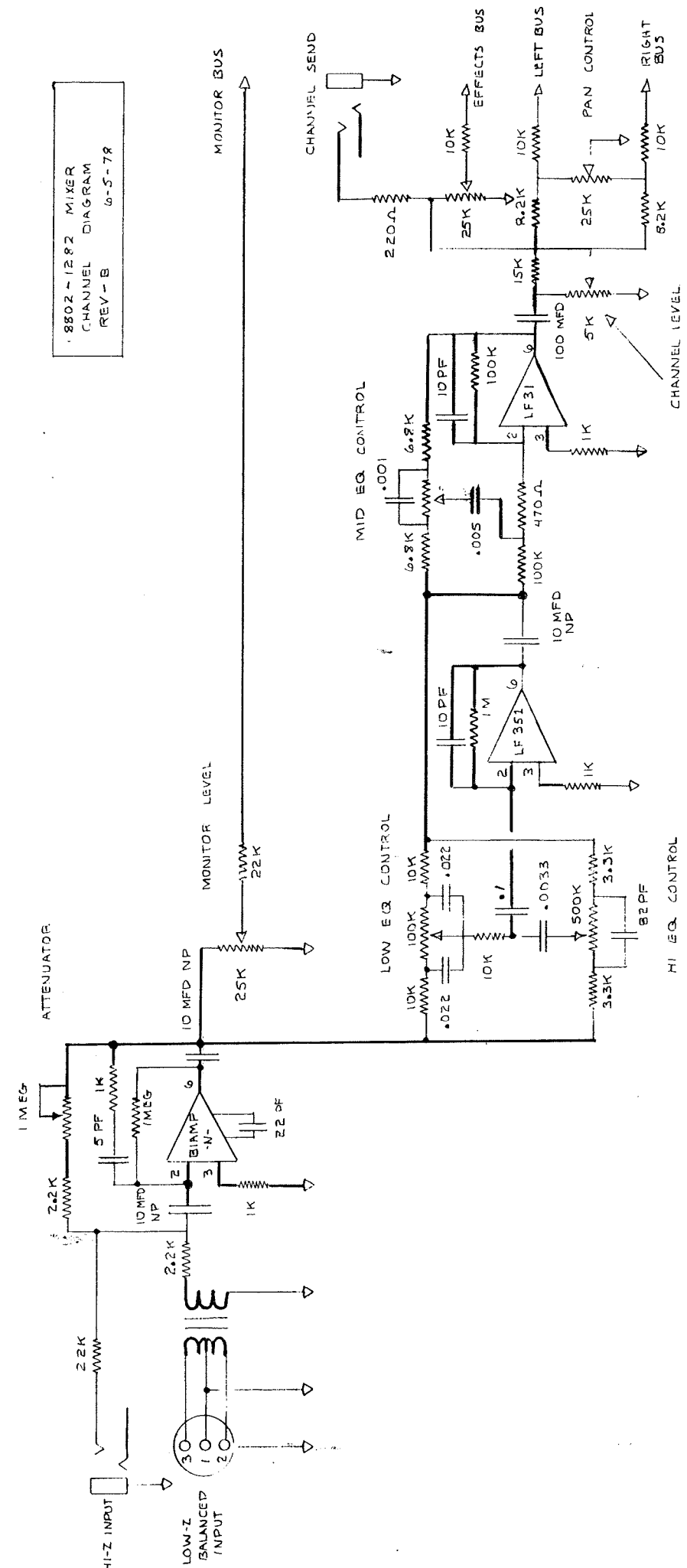


LOCATION CHART  
 8-12 CHANNEL BOARD  
 COMPONENT SIDE

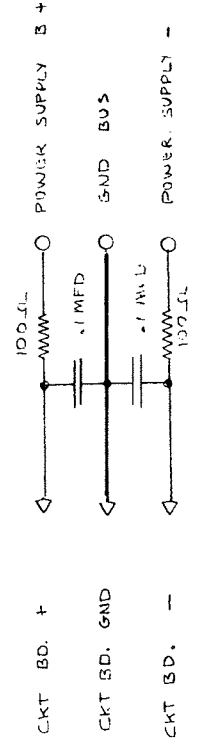
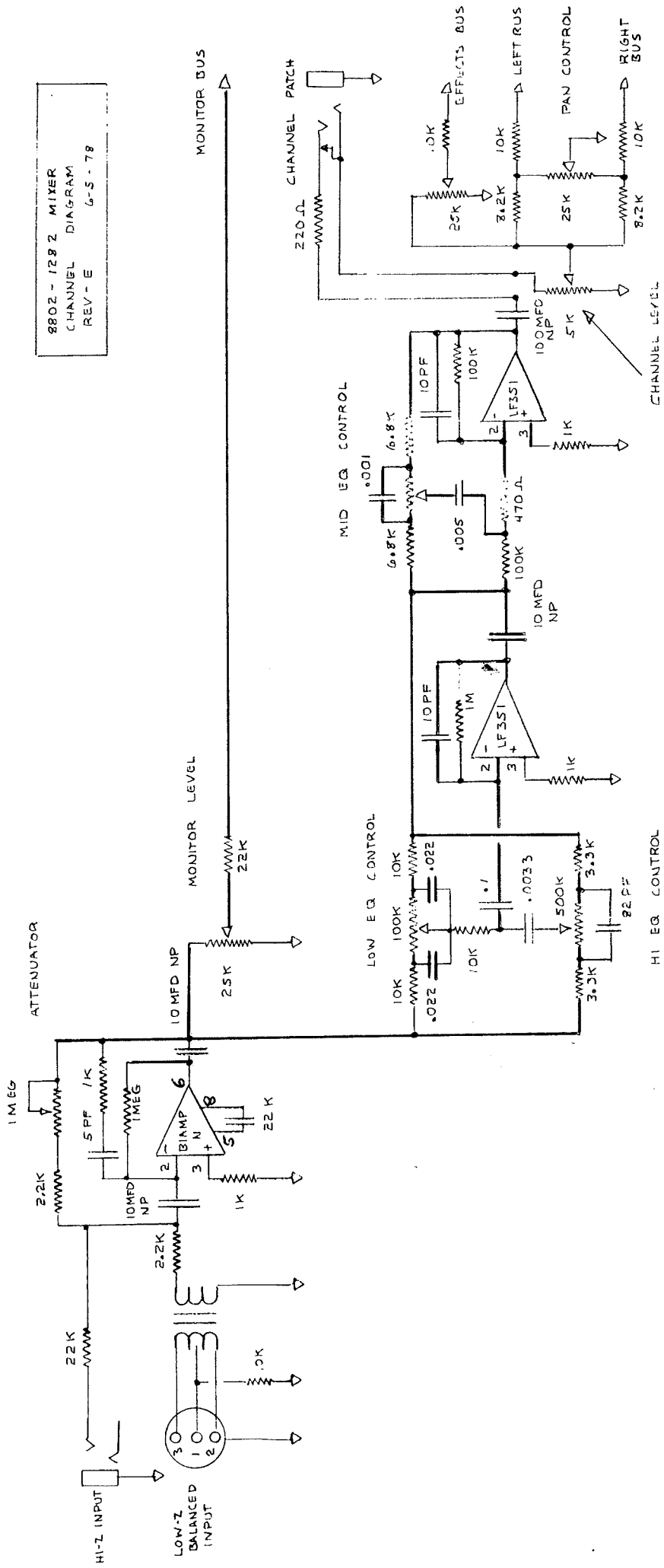




8802 - 1282 MIXER  
CHANNEL DIAGRAM  
REV - B  
6-5-78



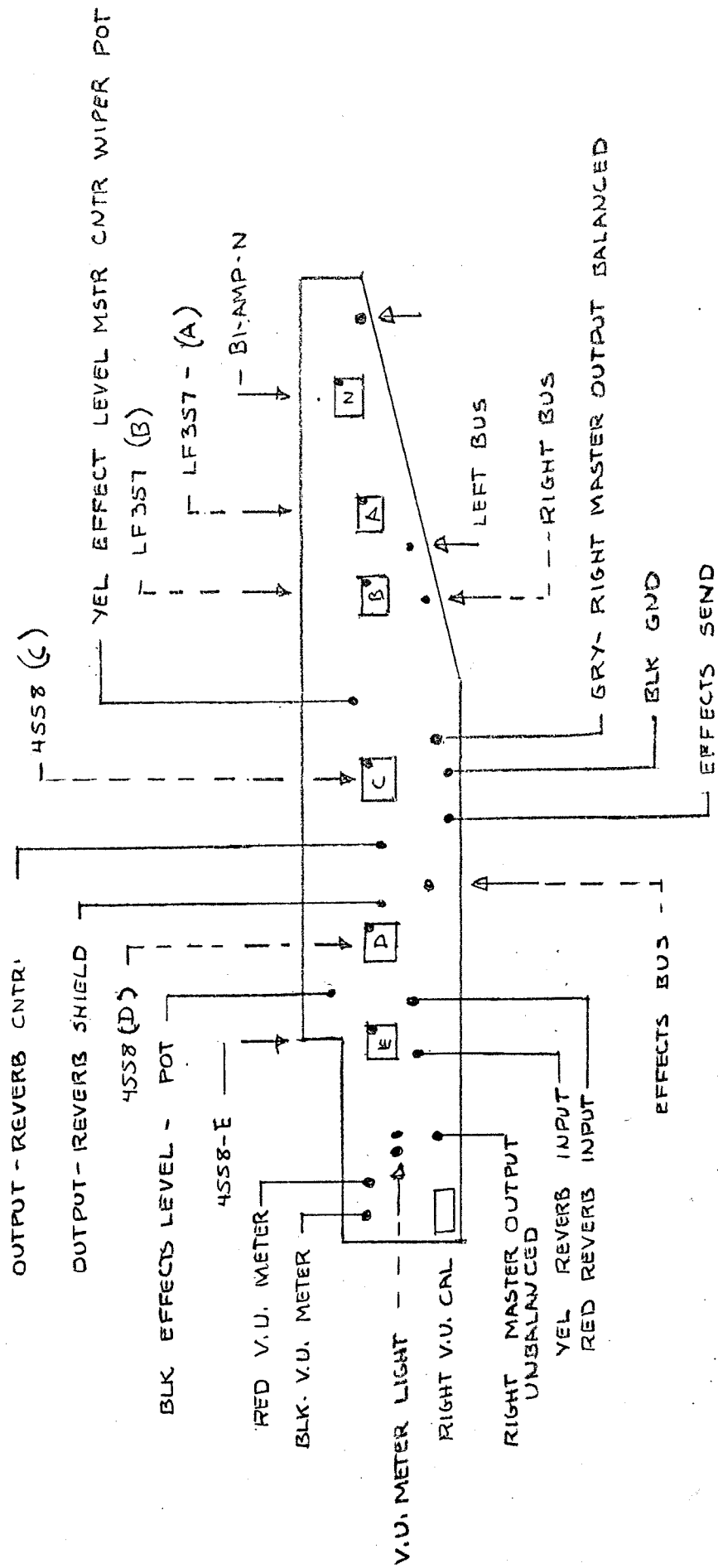
8802 - 1282 MIXER  
CHANNEL DIAGRAM  
REV - E  
6-5-78



NOTE 1  
CKT. BD. FOR NORMAL  
CHANNEL SEND OR  
CHANNEL PATCH MODIFICATION

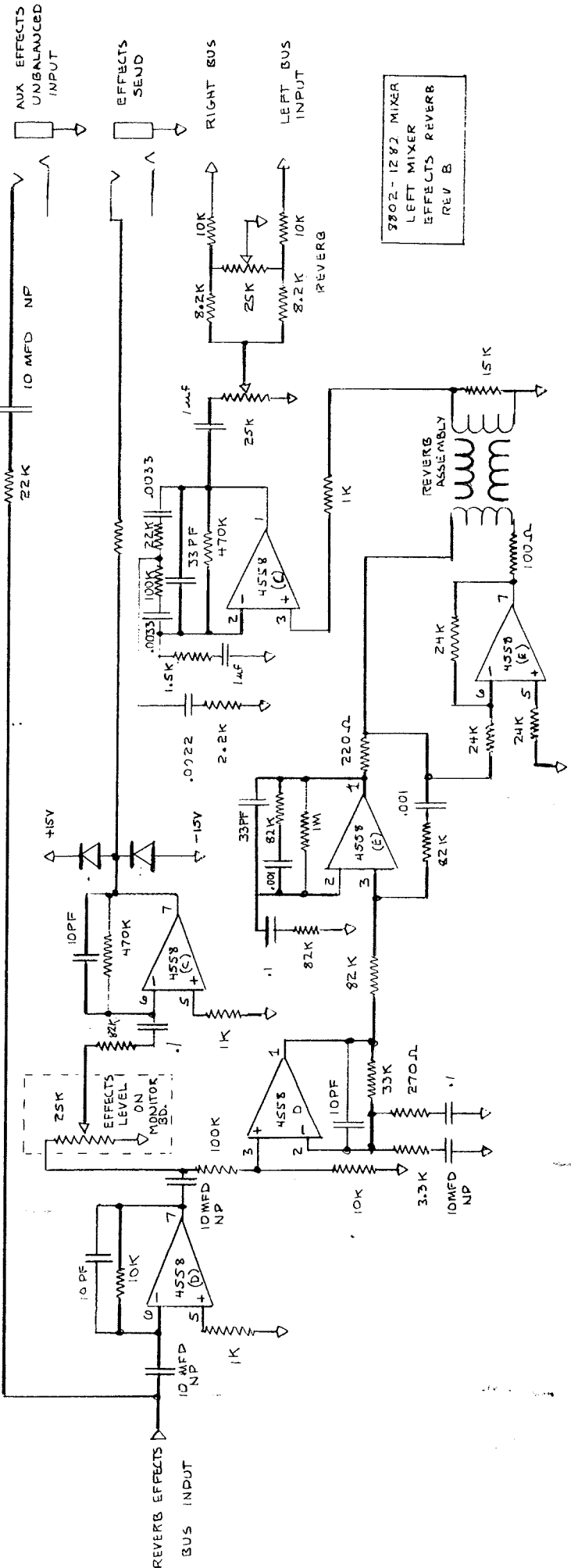
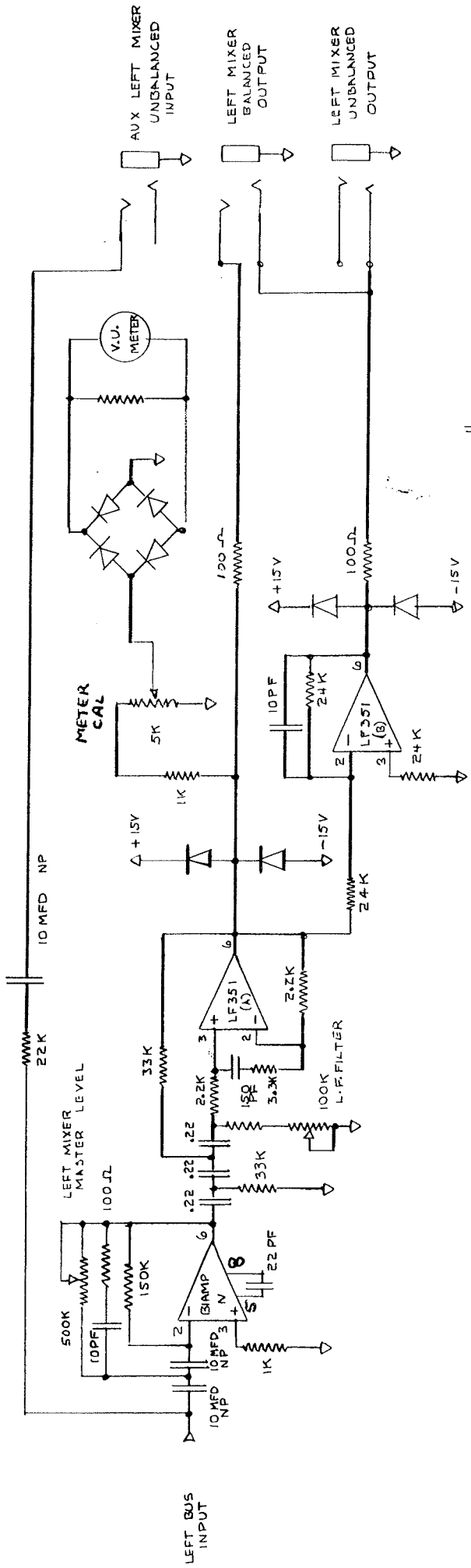
LEFT MIXER + EFFECTS BOARD 8-12 MIXER

COMPONENT SIDE



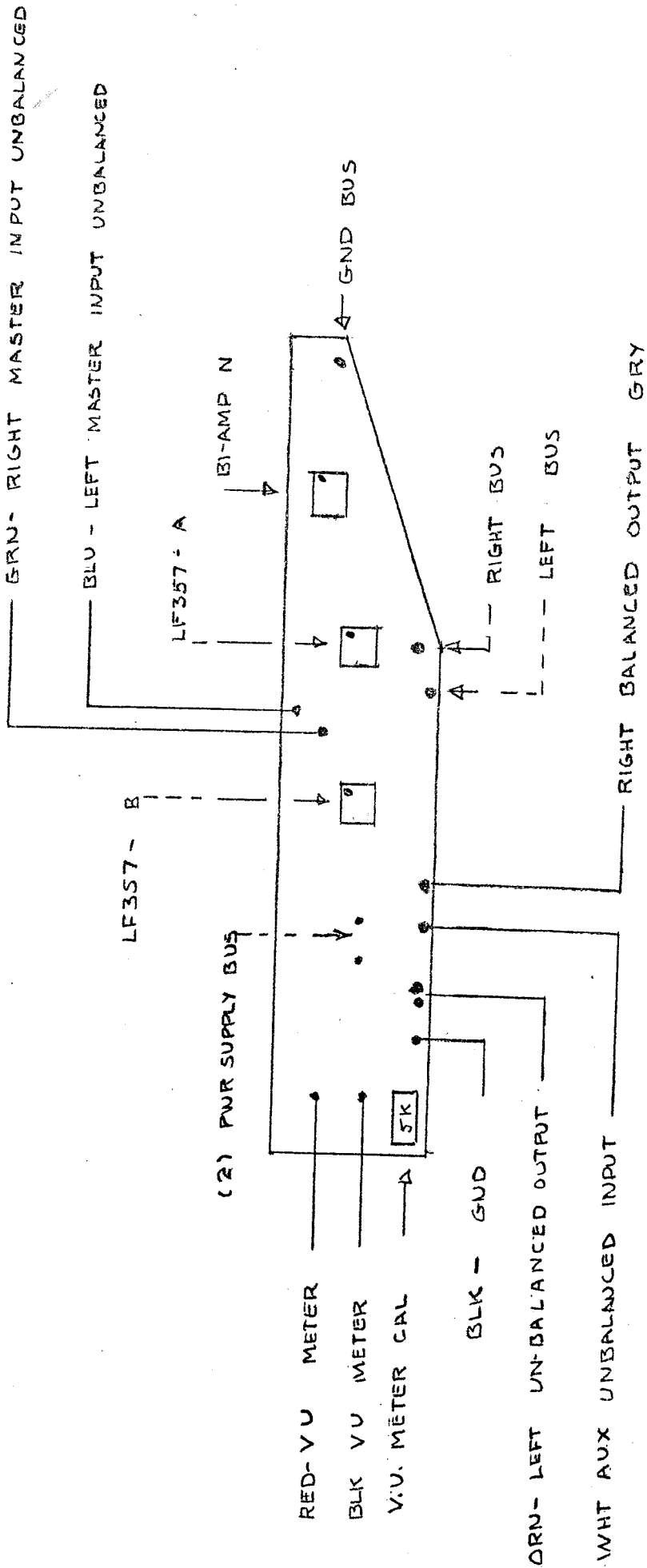






3802-1282 MIXER  
 LEFT MIXER  
 EFFECTS REVERB  
 REV B

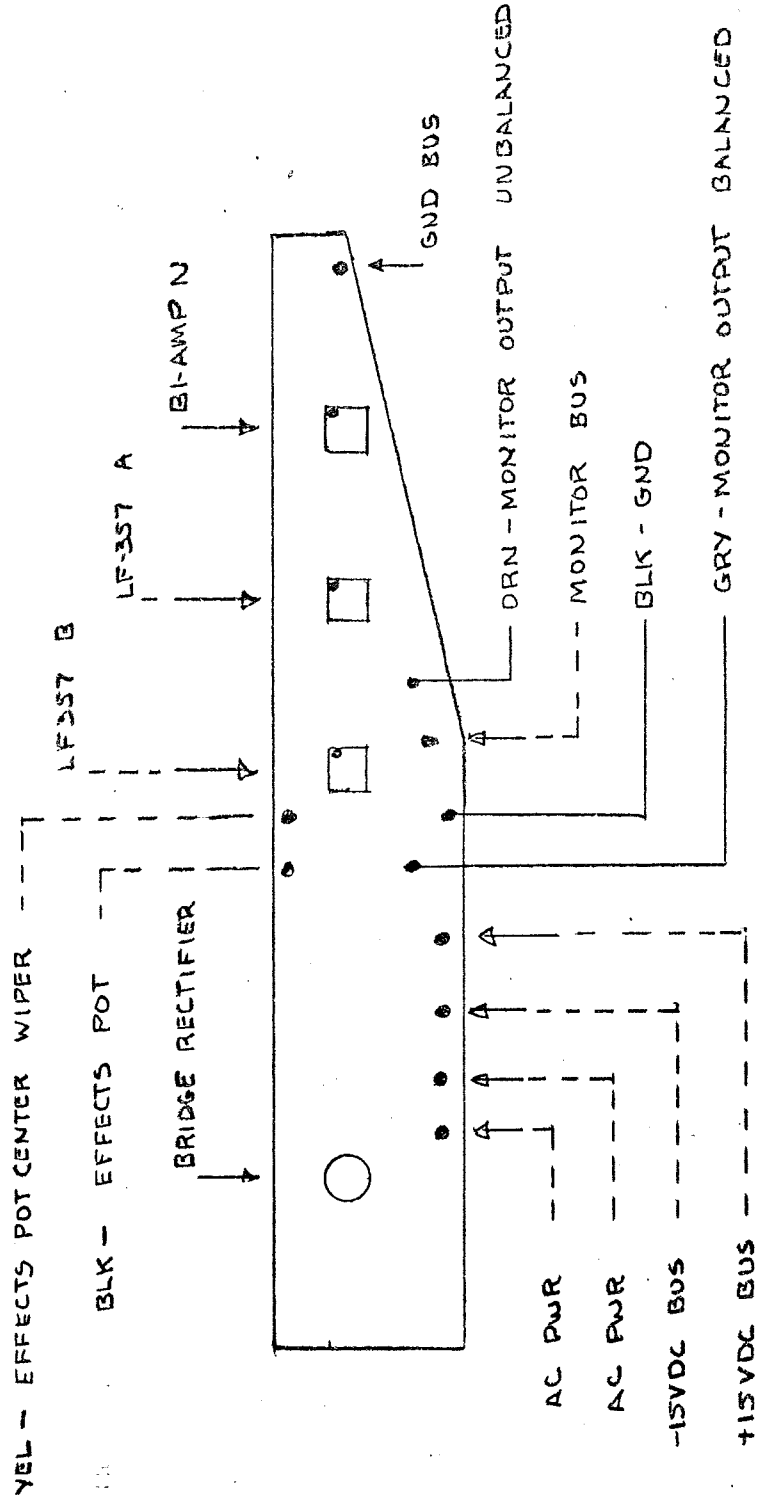
8-12 MIXER  
RIGHT MIXER BOARD  
COMPONENT SIDE

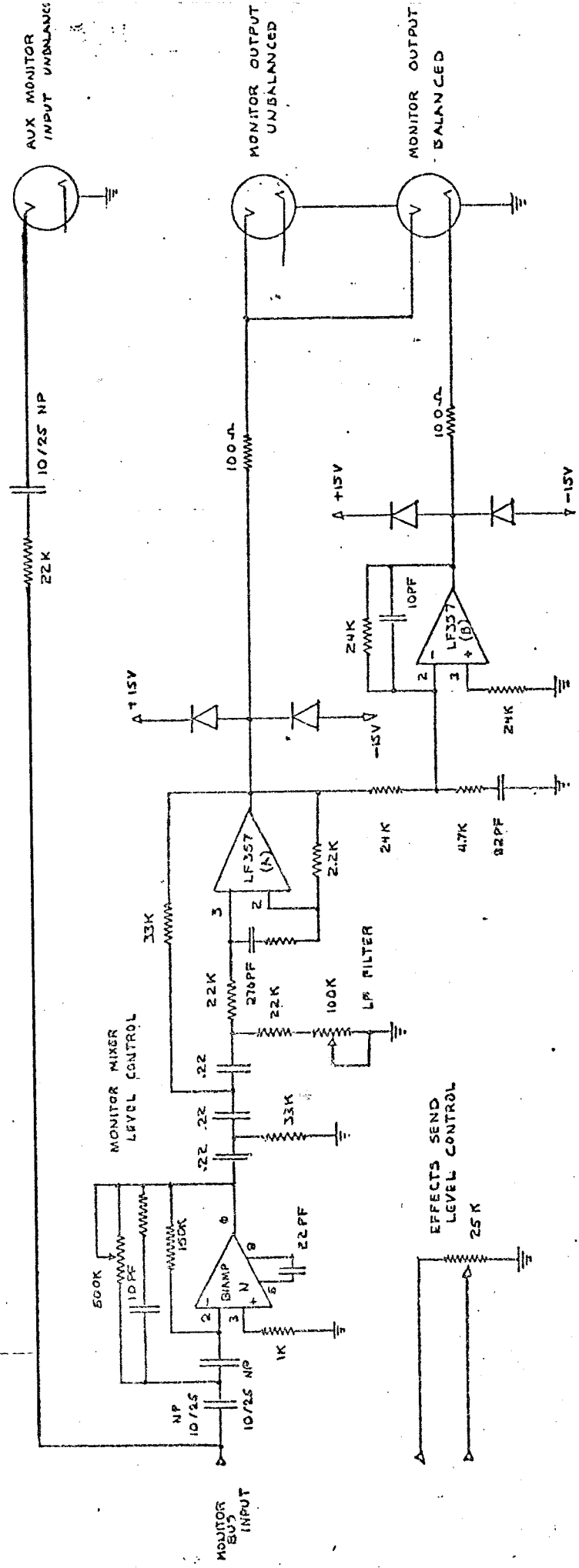




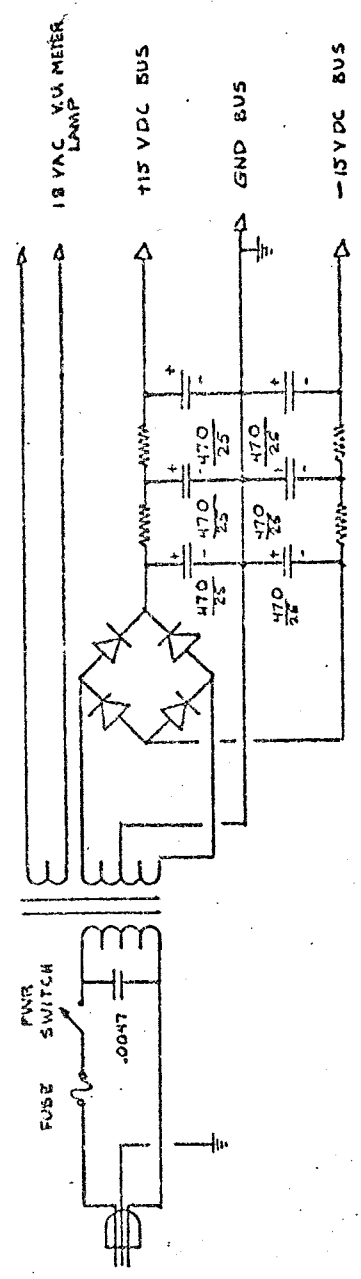


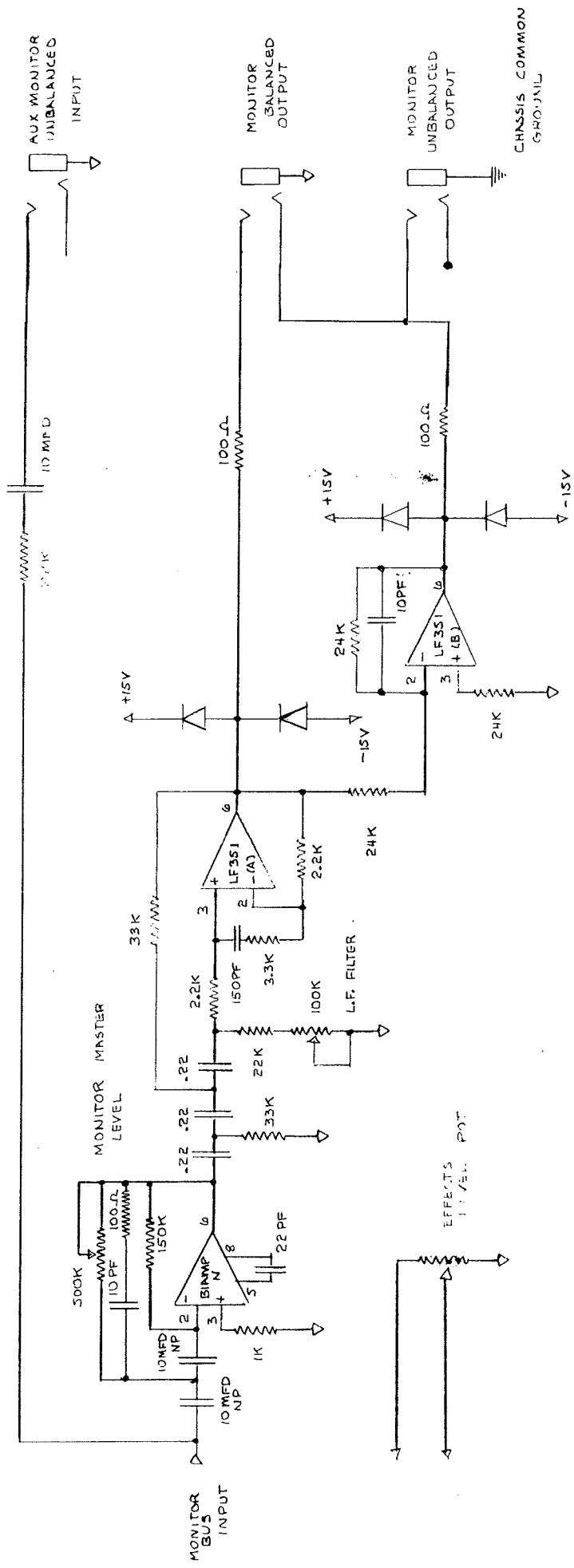
LOCATION CHART  
 MONITOR POWER SUPPLY  
 BOARD 8-12-CHAN MIXER





8802-12 B2 MIXER  
MONITOR - PWR SUPPLY  
REV A





5802-128Z MIXER  
MONITOR - PWR SUPPLY  
REV-B

- NOTE 1  
128Z PWR SUPPLY  
RESISTORS  
R1 - R3 22Ω 5W  
R2 - R4 27Ω 5W
- NOTE 2  
802 PWR SUPPLY  
RESISTORS  
R1 - R3 33Ω 5W  
R2 - R4 31Ω 5W

