

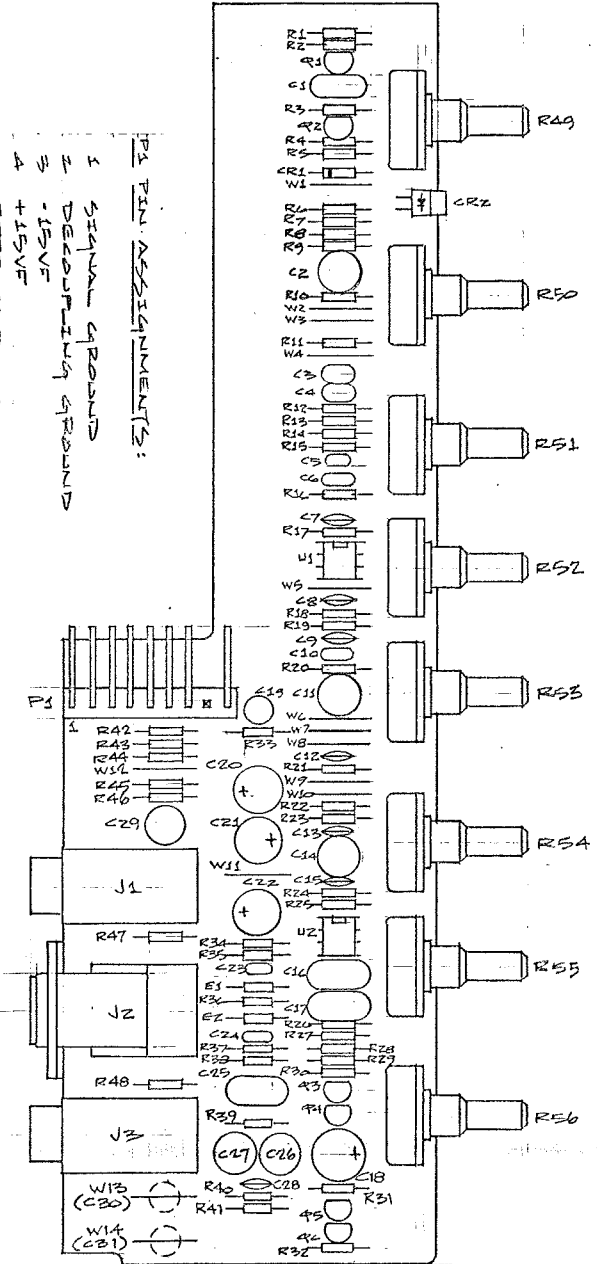
83 B Series

Schematic

B I A M P[®]
S Y S T E M S

10074 SW Arctic Drive Beaverton, OR 97005 503-641-7287

THIS DRAWING IS THE PROPERTY OF BIAMP SYSTEMS INC., AND MUST BE RETURNED WITHOUT DUPLICATING AT ANY TIME, ON REQUEST, WHILE IN THE POSSESSION OF THE RECIPIENT. IT MUST BE PROTECTED AGAINST DISCLOSURE TO ANYONE EXCEPT THOSE EMPLOYEES WHO REQUIRE IT FOR THE WORK OR JOB. THE RECIPIENT AND THE EMPLOYER SHALL BE RESPONSIBLE FOR THE PROTECTION OF THIS DRAWING AND OF THE INFORMATION CONTAINED HEREON.



PI PIN ASSIGNMENTS:

- 1 SIGNAL GROUND
- 2 DECOUPLING GROUND
- 3 -15V
- 4 +15V
- 5 EFFECTS BUSS
- 6 SUB 1 BUSS
- 7 SUB 2 BUSS
- 8 VOID
- 9 MONITOR BUSS

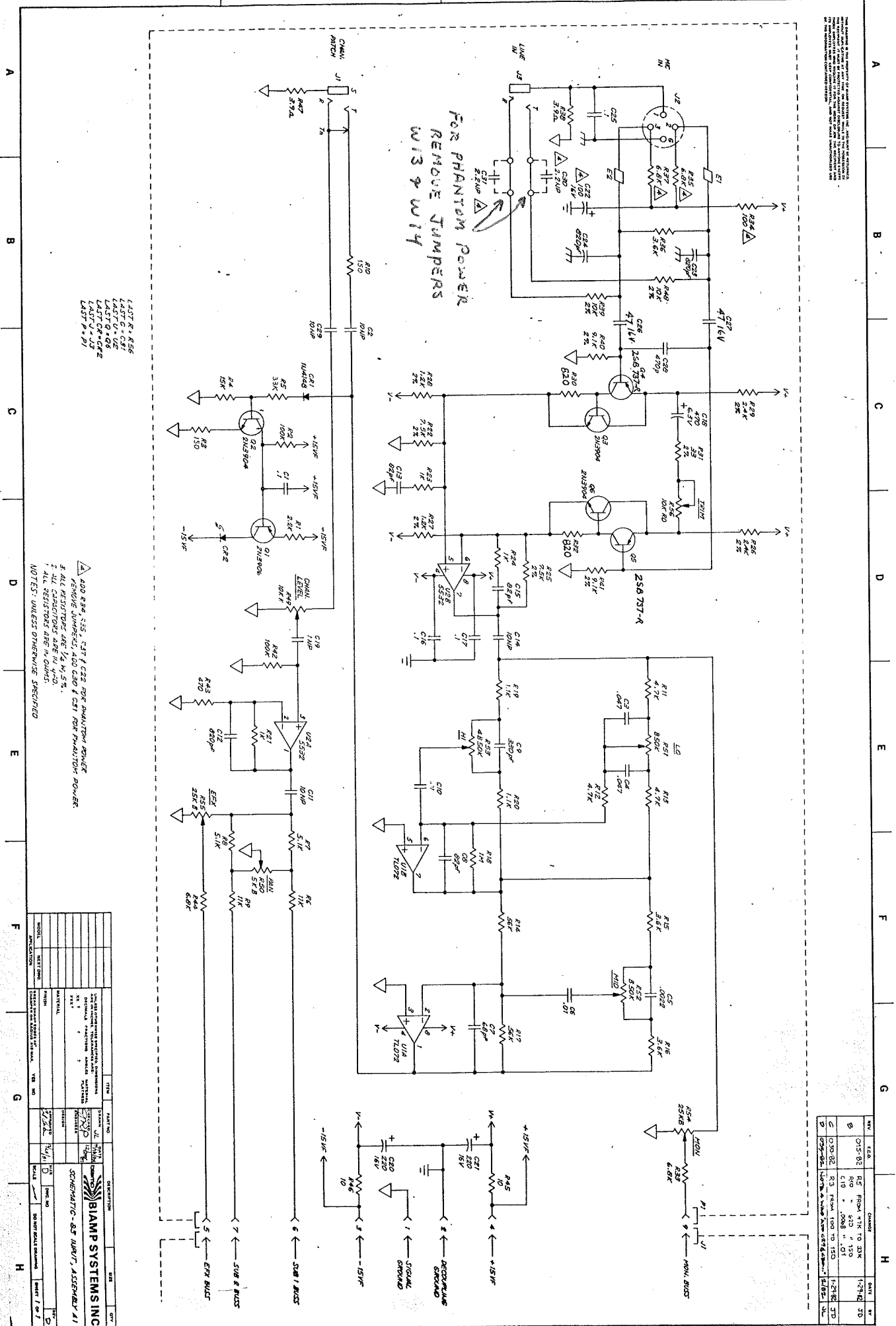
NOTES:

1. TOPS OF R1-6 3/8" ABOVE BOARD.
2. ALL OTHER COMPONENTS SEATED ON BOARD.
3. ADD R34, R35, R37, & C22 FOR PHANTOM POWER. REMOVE JUMPERS W13 & W14, REPLACE WITH C30 & C31 FOR PHANTOM POWER.

ITEM	PART NO.	DATE	DESCRIPTION	SIZE	QTY.
BIAMP SYSTEMS INC. INPUT PCB ASSEMBLY A1					
UNLESS OTHERWISE SPECIFIED, DIMENSIONS ARE IN INCHES. TOLERANCES ARE:		DRAWN: <i>VC</i>	DATE: 11/9/81		
DECIMALS FRACTIONS ANGLES MATERIAL FLATNESS		CHECKED: <i>VC</i>	DATE: 12/28/81		
.XXX ±		DESIGNED BY: <i>VC</i>	DATE: 12/28/81		
MATERIAL		APPROVED: <i>VC</i>	DATE: 2/21/82		
FINISH		SCALE: 1X	DO NOT SCALE DRAWING		
MODEL		SIZE: B	DWG. NO.		
APPLICATION		REV. E	SHEET 1 OF 1		

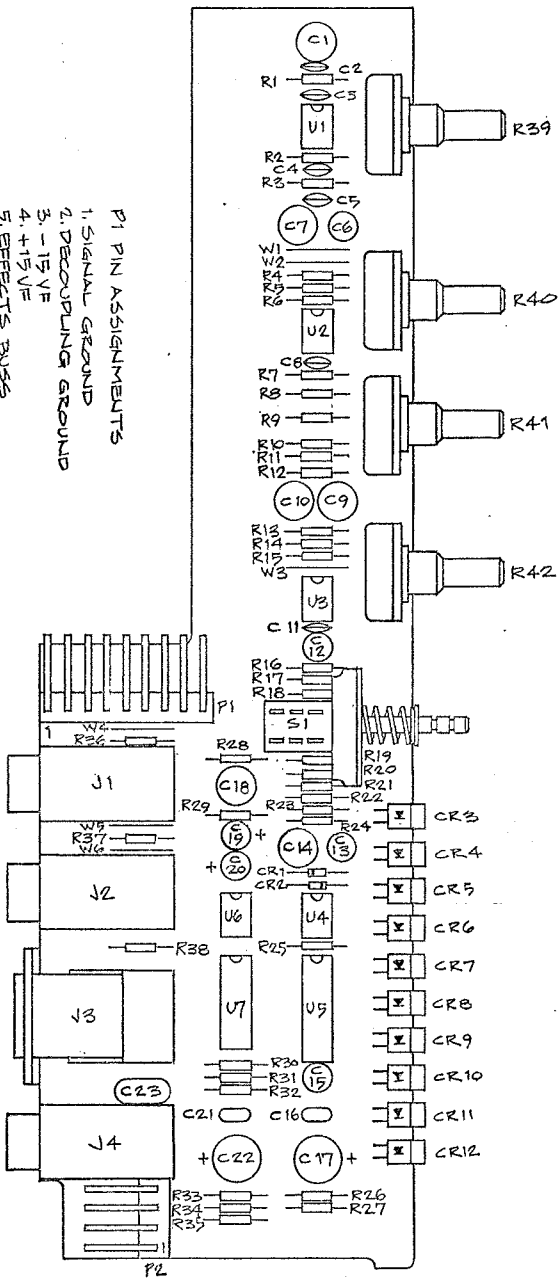
REV.	E.C.O.	CHANGE	DATE	BY
B	035-82	ELIMINATE PHANTOM OUT DWG. ADD NOTE 3.	2/82	L

REVISIONS TO THIS DRAWING: 1. REVISED TO SHOW THE PHANTOM POWER REMOVAL SWITCH AND WIRING. 2. REVISED TO SHOW THE PHANTOM POWER REMOVAL SWITCH AND WIRING. 3. REVISED TO SHOW THE PHANTOM POWER REMOVAL SWITCH AND WIRING. 4. REVISED TO SHOW THE PHANTOM POWER REMOVAL SWITCH AND WIRING.



REV.	DATE	BY	CHKD.	DESCRIPTION
1	01/28/88	J. S. J.	J. S. J.	SCHEMATIC - 25 INVERTER ASSEMBLY A1
2	02/10/88	J. S. J.	J. S. J.	REVISION TO SHOW THE PHANTOM POWER REMOVAL SWITCH AND WIRING
3	02/10/88	J. S. J.	J. S. J.	REVISION TO SHOW THE PHANTOM POWER REMOVAL SWITCH AND WIRING
4	02/10/88	J. S. J.	J. S. J.	REVISION TO SHOW THE PHANTOM POWER REMOVAL SWITCH AND WIRING

THIS DRAWING IS THE PROPERTY OF BIAMP SYSTEMS INC., AND MUST BE RETURNED WITHOUT DUPLICATING AT ANY TIME, ON REQUEST, WHILE IN THE POSSESSION OF THE RECIPIENT. IT MUST BE PROTECTED AGAINST DISCLOSURE TO ANYONE EXCEPT THOSE EMPLOYEES WHO REQUIRE IT FOR THE WORK OR JOB. THE RECIPIENT AND THE SUPPLIER SHALL BE RESPONSIBLE, AND NOT MAKE UNAUTHORIZED USE OF THE INFORMATION OBTAINED HEREON.



- P1 PIN ASSIGNMENTS
1. SIGNAL GROUND
 2. DECOUPLING GROUND
 3. -15 V_F
 4. +15 V_F
 5. EFFECTS BUSS
 6. SUB 1 BUSS
 7. SUB 2 BUSS
 8. MAIN BUSS
 9. REVERSE SEND

- P2 PIN ASSIGNMENTS
1. MAIN OUT
 2. +15V_F
 3. -9V_F
 4. BLANK

ITEM		PART NO.		DATE		DESCRIPTION		SIZE	QTY.
		DRAWN JL		12/1/61		BIAMP SYSTEMS INC.			
		CHECKED JRP		12/29/61		ASSEMBLY - 683 SUB 1, A2			
		ENGINEER							
		DESIGN							
UNLESS OTHERWISE SPECIFIED, DIMENSIONS ARE IN INCHES. TOLERANCES ARE: DECIMALS FRACTIONS ANGLES MATERIAL FLATNESS		FINISH		APPROVED		SCALE FULL		DO NOT SCALE DRAWING	SHEET 1 OF 1
.XXX ±		BREAK SHARP EDGES .45° CHAMFER ON RADII .30" MAX.		12/29/61		B		REV. A	
MODEL		NEXT DWG.		SIZE		DWG. NO.		REV.	
APPLICATION				SCALE FULL		DO NOT SCALE DRAWING		SHEET 1 OF 1	

A

B

C

D

A

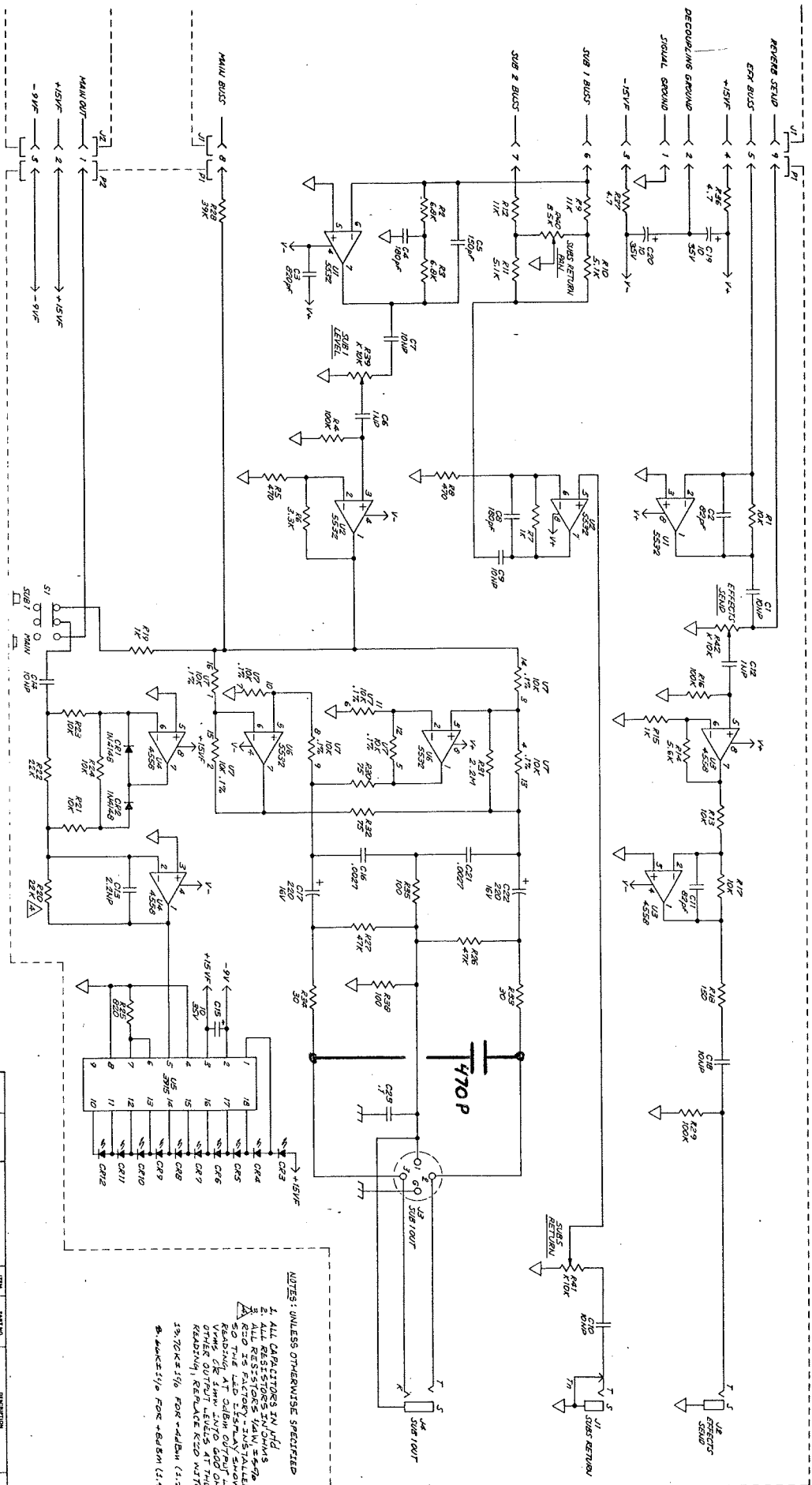
B

C

D

REV.	E.C.O.	CHANGE	DATE	BY

THIS SCHEMATIC IS THE PROPERTY OF BIAMP SYSTEMS INC. IT IS TO BE USED ONLY FOR THE PROJECT AND QUANTITY SPECIFIED. IT IS NOT TO BE REPRODUCED OR TRANSMITTED IN ANY FORM OR BY ANY MEANS, ELECTRONIC OR MECHANICAL, INCLUDING PHOTOCOPYING, RECORDING, OR BY ANY INFORMATION STORAGE AND RETRIEVAL SYSTEM. WITHOUT THE WRITTEN PERMISSION OF BIAMP SYSTEMS INC.

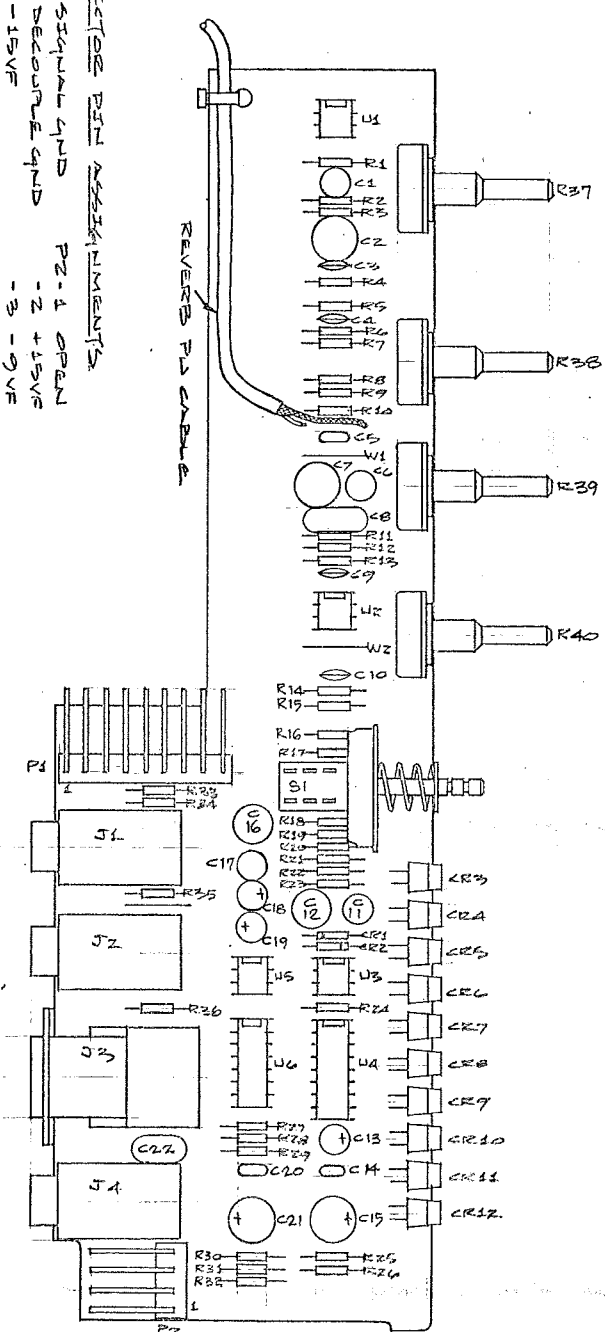


REV	DESCRIPTION	DATE	BY
1	SCHEMATIC FOR SUB 1, ASSEMBLY A2	1/1/82	JLK
2			
3			
4			

REV	DESCRIPTION	DATE	BY
1	SCHEMATIC FOR SUB 1, ASSEMBLY A2	1/1/82	JLK
2			
3			
4			

- NOTES: UNLESS OTHERWISE SPECIFIED
1. ALL CAPACITORS IN nFD
 2. ALL RESISTORS IN OHMS
 3. ALL RESISTORS IN K OHMS
 4. ALL RESISTORS IN M OHMS
 5. ALL RESISTORS IN 10% TOLERANCE UNLESS OTHERWISE SPECIFIED
 6. ALL RESISTORS IN 5% TOLERANCE UNLESS OTHERWISE SPECIFIED
 7. ALL RESISTORS IN 1% TOLERANCE UNLESS OTHERWISE SPECIFIED
 8. ALL RESISTORS IN 0.1% TOLERANCE UNLESS OTHERWISE SPECIFIED
 9. ALL RESISTORS IN 0.01% TOLERANCE UNLESS OTHERWISE SPECIFIED
 10. ALL RESISTORS IN 0.001% TOLERANCE UNLESS OTHERWISE SPECIFIED
 11. ALL RESISTORS IN 0.0001% TOLERANCE UNLESS OTHERWISE SPECIFIED
 12. ALL RESISTORS IN 0.00001% TOLERANCE UNLESS OTHERWISE SPECIFIED
 13. ALL RESISTORS IN 0.000001% TOLERANCE UNLESS OTHERWISE SPECIFIED
 14. ALL RESISTORS IN 0.0000001% TOLERANCE UNLESS OTHERWISE SPECIFIED
 15. ALL RESISTORS IN 0.00000001% TOLERANCE UNLESS OTHERWISE SPECIFIED
 16. ALL RESISTORS IN 0.000000001% TOLERANCE UNLESS OTHERWISE SPECIFIED
 17. ALL RESISTORS IN 0.0000000001% TOLERANCE UNLESS OTHERWISE SPECIFIED
 18. ALL RESISTORS IN 0.00000000001% TOLERANCE UNLESS OTHERWISE SPECIFIED
 19. ALL RESISTORS IN 0.000000000001% TOLERANCE UNLESS OTHERWISE SPECIFIED
 20. ALL RESISTORS IN 0.0000000000001% TOLERANCE UNLESS OTHERWISE SPECIFIED
 21. ALL RESISTORS IN 0.00000000000001% TOLERANCE UNLESS OTHERWISE SPECIFIED
 22. ALL RESISTORS IN 0.000000000000001% TOLERANCE UNLESS OTHERWISE SPECIFIED
 23. ALL RESISTORS IN 0.0000000000000001% TOLERANCE UNLESS OTHERWISE SPECIFIED
 24. ALL RESISTORS IN 0.00000000000000001% TOLERANCE UNLESS OTHERWISE SPECIFIED
 25. ALL RESISTORS IN 0.000000000000000001% TOLERANCE UNLESS OTHERWISE SPECIFIED

THIS DRAWING IS THE PROPERTY OF BIAMP SYSTEMS INC., AND MUST BE RETURNED, WITHOUT DUPLICATING AT ANY TIME, ON REQUEST, WHILE IN THE POSSESSION OF THE PURCHASER. IT MUST BE PROTECTED AGAINST DISCLOSURE TO ANYONE EXCEPT THE EMPLOYEES OF BIAMP SYSTEMS INC. AND ITS EMPLOYEES MUST KEEP CONFIDENTIAL, AND NOT MAKE UNAUTHORIZED USE OF THE INFORMATION CONTAINED HEREON.

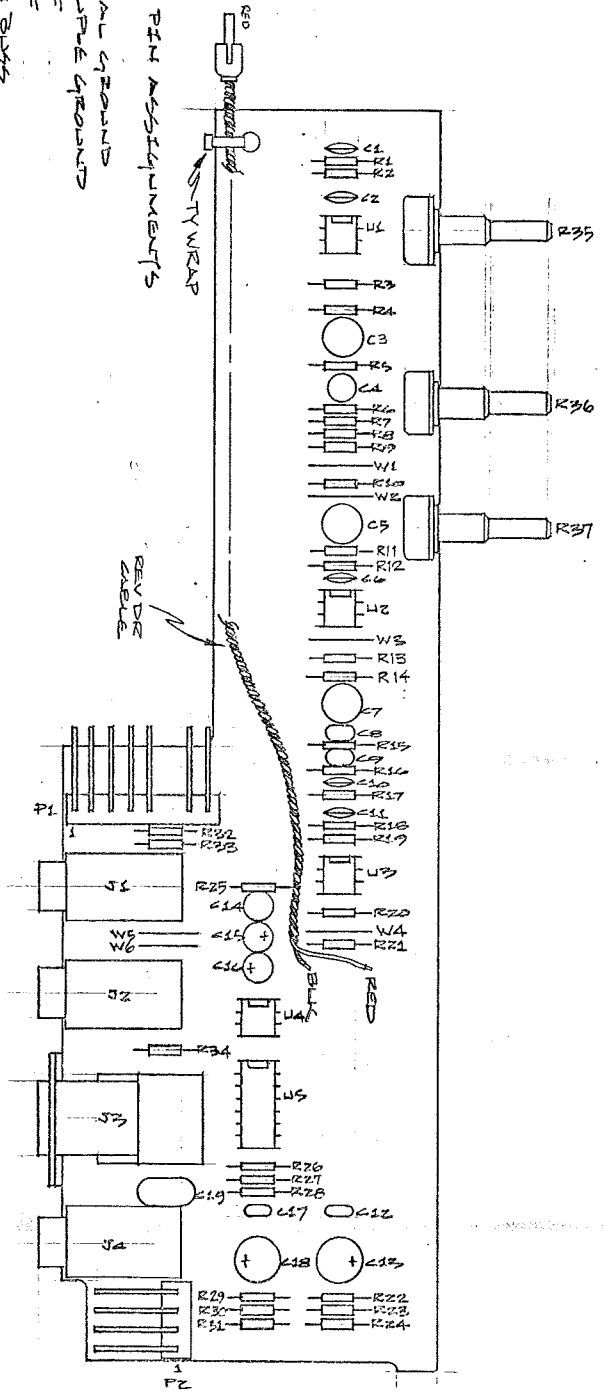


- CONNECTOR P13 ASSIGNMENTS
- P1-1 SIGNAL GND
 - 2 SIGNAL GND
 - 3 -15V
 - 4 +15V
 - 5 EFFECTS BUSS
 - 6 SUB 1 BUSS
 - 7 SUB 2 BUSS
 - 8 MAIN BUSS
 - 9 NON REVERSE
- P2-1 OPEN
 - 2 +15V
 - 3 -9V
 - 4 NON OUT

ITEM	PART NO.	DESCRIPTION	SIZE	QTY.
UNLESS OTHERWISE SPECIFIED, DIMENSIONS ARE IN INCHES. TOLERANCES ARE: DECIMALS FRACTIONS ANGLES MATERIAL FLATNESS .XX ± ± ± .XXX ± ± ±				
DRAWN		DATE		
CHECKED		DATE		
DESIGNED		DATE		
APPROVED		DATE		
MATERIAL		FINISH		
MODEL		NEXT DWG.		
APPLICATION		BREAK SHARP EDGES 45° CHAMFER ON RADII 0.10 MAX.	YES	NO

A B C D

THIS DRAWING IS THE PROPERTY OF BIAMP SYSTEMS INC., AND MUST BE RETURNED, WITHOUT DUPLICATING AT ANY TIME, ON REQUEST, WHILE IN THE POSSESSION OF THE RECIPIENT. IT MUST BE PROTECTED AGAINST DISCLOSURE TO ANYONE EXCEPT THOSE EMPLOYEES WHO REQUIRE IT FOR THE WORK OR JOB. THE RECIPIENT AND HIS EMPLOYER SHALL BE RESPONSIBLE FOR THE PROTECTION OF THIS DRAWING AND OF THE INFORMATION CONTAINED HEREON.



CONNECTOR PIN ASSIGNMENTS

- 1 SIGNAL GROUND
- 2 DECOUPLE GROUND
- 3 +5V
- 4 +5V
- 5 MAIN BUS
- 6 OPEN
- 7 REVERSE
- 8 MONITOR BASS

- P2-1 MAIN OUT
- 2 OPEN
- 3 OPEN
- 4 OPEN

ITEM	PART NO.	DESCRIPTION	SIZE	QTY.												
 BIAMP SYSTEMS INC.																
UNLESS OTHERWISE SPECIFIED, DIMENSIONS ARE IN INCHES. TOLERANCES ARE: <table border="0" style="width: 100%;"> <tr> <td>DECIMALS</td> <td>FRACTIONS</td> <td>ANGLES</td> <td>MATERIAL FLATNESS</td> </tr> <tr> <td>.XX ±</td> <td>±</td> <td>±</td> <td>±</td> </tr> <tr> <td>.XXX ±</td> <td></td> <td></td> <td></td> </tr> </table>		DECIMALS	FRACTIONS	ANGLES	MATERIAL FLATNESS	.XX ±	±	±	±	.XXX ±				DRAWN: <i>[Signature]</i> CHECKED: <i>[Signature]</i> ENGINEER: <i>[Signature]</i> DESIGN: <i>[Signature]</i>		
DECIMALS	FRACTIONS	ANGLES	MATERIAL FLATNESS													
.XX ±	±	±	±													
.XXX ±																
MATERIAL		1/8" 303 MAINS P2B ASSEMBLY A4														
FINISH		APPROVED: <i>[Signature]</i> DATE: 1/25/61														
MODEL		SCALE: 1X														
NEXT DWG.		DO NOT SCALE DRAWING														
APPLICATION		SHEET 1 OF 1														

A

B

C

D

A

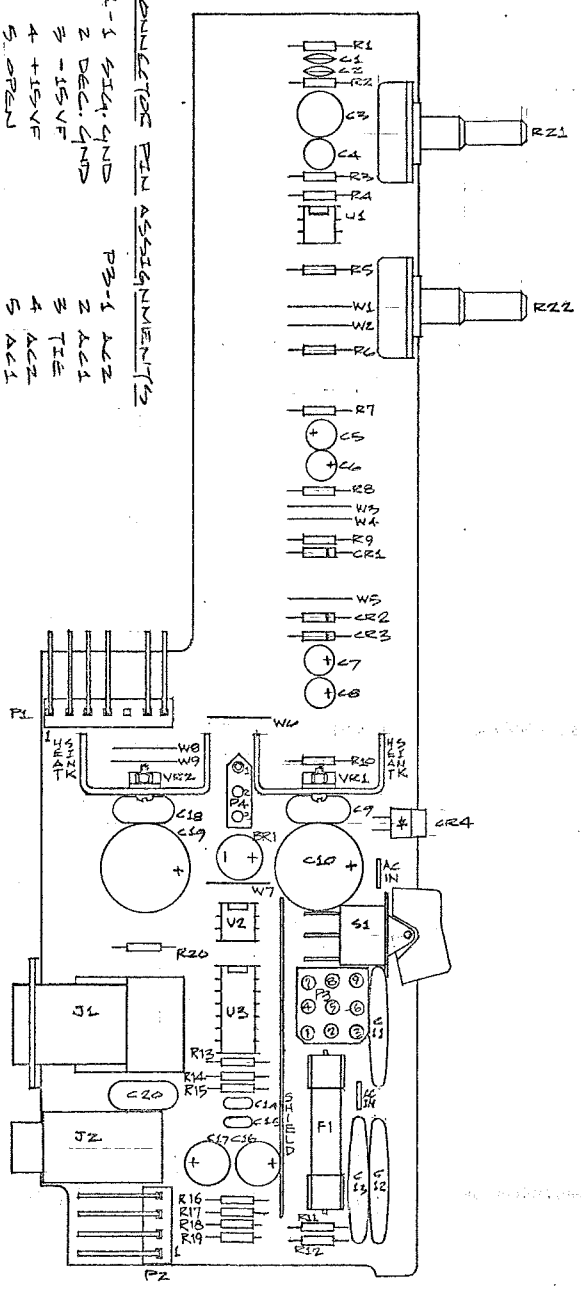
B

C

D

REV.	E.C.O.	CHANGE	DATE	BY

THIS DRAWING IS THE PROPERTY OF BIAMP SYSTEMS INC. AND MUST BE RETURNED, WITHOUT DUPLICATING AT ANY TIME, ON REQUEST, WHILE IN THE POSSESSION OF THE RECIPIENT. IT MUST BE PROTECTED AGAINST DISCLOSURE TO ANYONE EXCEPT THOSE EMPLOYEES WHO REQUIRE IT FOR THE WORK OR JOB. THE RECIPIENT AND HIS EMPLOYERS MUST KEEP CONFIDENTIAL, AND NOT MAKE UNAUTHORIZED USE OF THE INFORMATION CONTAINED HEREON.



CONNECTOR PIN ASSIGNMENTS:

- P1-1 SIDE GND
 - 2 DEC. GND
 - 3 -15V/F
 - 4 +15V/F
 - 5 OPEN
 - 6 MON REV BUSS
 - 7 MON BUSS
- P3-1 AC2
 - 2 AC1
 - 3 TIE
 - 4 AC2
 - 5 AC1
 - 6 TIE
 - 7 PARK
 - 8 KEY
 - 9 PARK
- P2-1 OPEN
 - 2 +15V/F
 - 3 -9V/F
 - 4 MON OUT BUSS
- P4-1 COM
 - 2 SEC
 - 3 SEC

ITEM	PART NO.	DESCRIPTION	SIZE	QTY.
 BIAMP SYSTEMS INC.				
UNLESS OTHERWISE SPECIFIED, DIMENSIONS ARE IN INCHES. TOLERANCES ARE:		DRAWN: <i>[Signature]</i>	DATE: 5/29/81	
DECIMALS FRACTIONS ANGLES MATERIAL FLATNESS		CHECKED: <i>[Signature]</i>	DATE: 12/29/81	
.XXX ± . ± .		DESIGN: <i>[Signature]</i>		
MATERIAL:		APPROVED: <i>[Signature]</i>	DATE: 11/21/81	
FINISH:		SCALE: 1X	DO NOT SCALE DRAWING	SHEET 1 OF 1
MODEL:		BIAMP SYSTEMS INC.	MONITOR PCB ASSEMBLY AS	REV. E
APPLICATION:		BREAK SHARP EDGES 45° CHAMFER OR RADIUS .010 MAX.	YES NO	
NEXT DWG.				

A

B

C

D

A

B

C

D

REV.	E.C.O.	CHANGE	DATE	BY
B	029-82	REVISED P3 PIN ASSIGNMENTS	2/82	JL

2

1

2

9

