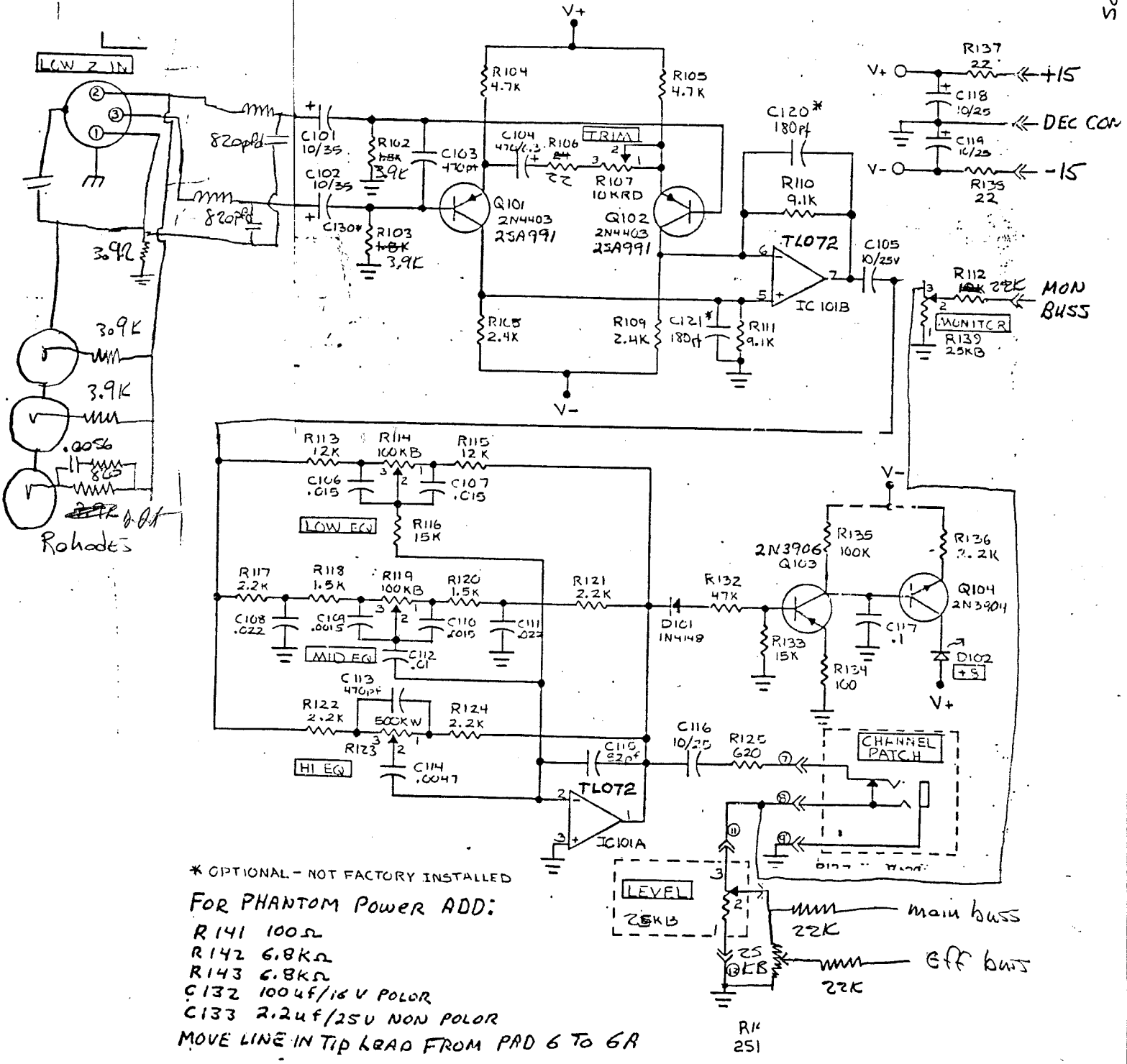


11/22/83

8-1683 INPUT
SCHEMATIC



* OPTIONAL - NOT FACTORY INSTALLED
 FOR PHANTOM POWER ADD:
 R141 100Ω
 R142 6.8KΩ
 R143 6.8KΩ
 C132 100μF/16V POLAR
 C133 2.2μF/25V NON POLAR
 MOVE LINE IN TIP LEAD FROM PAD 6 TO 6A

R112, 129, + 130 WERE 18KΩ
 IN EARLY UNITS.

IC101
 BE A1
 WITH
 Q103 "

Rohades

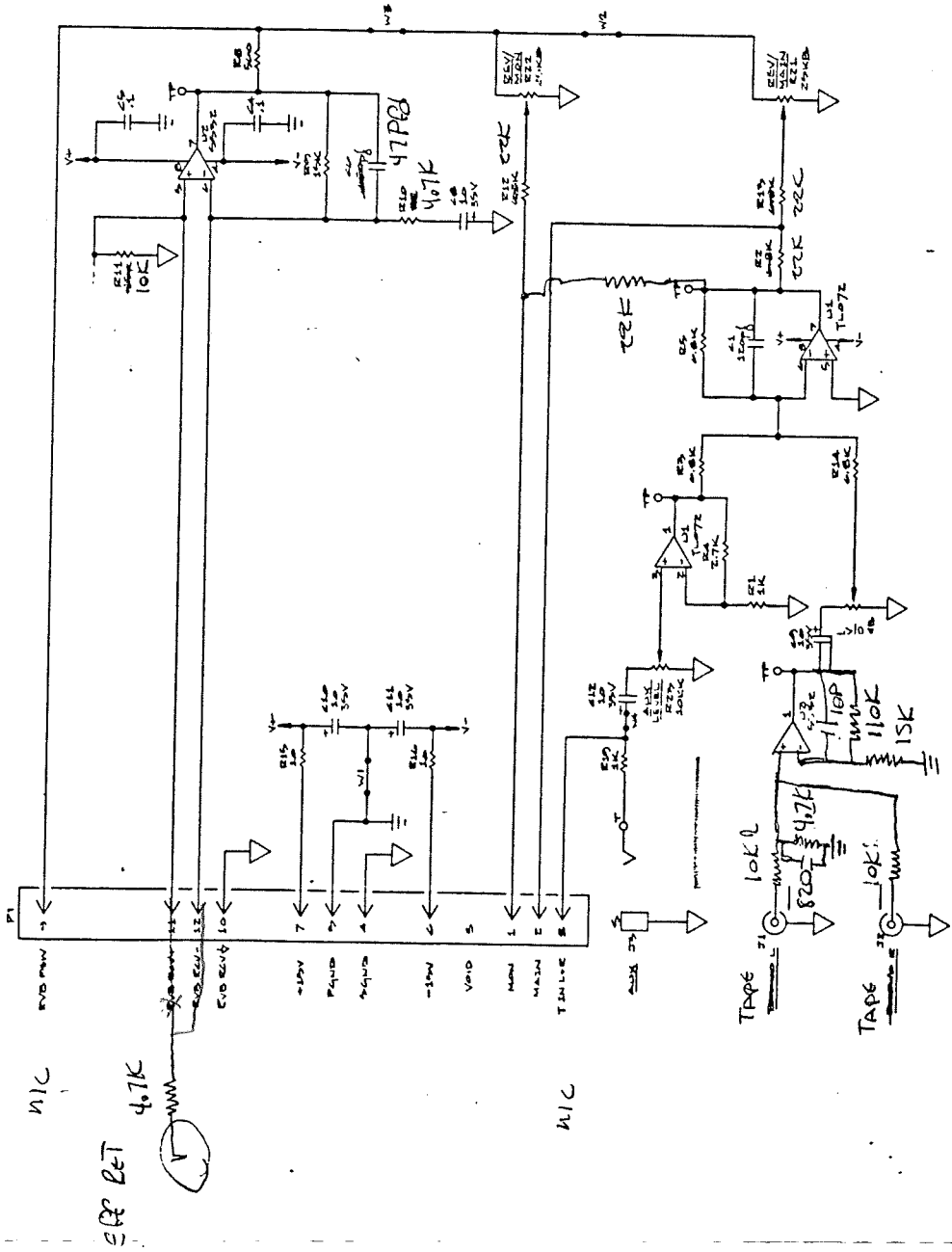
CHANNEL PATCH

LEVEL
 25KΩ

main buss
 22K
 off buss
 22K

R14
 251

NOTES: UNLESS OTHERWISE SPECIFIED,
 1. ALL RESISTORS $\frac{1}{4}$ W, 5%/TYP
 2. ALL RESISTOR VALUES IN OHMS
 3. ALL CAPACITOR VALUES IN MICROFARADS

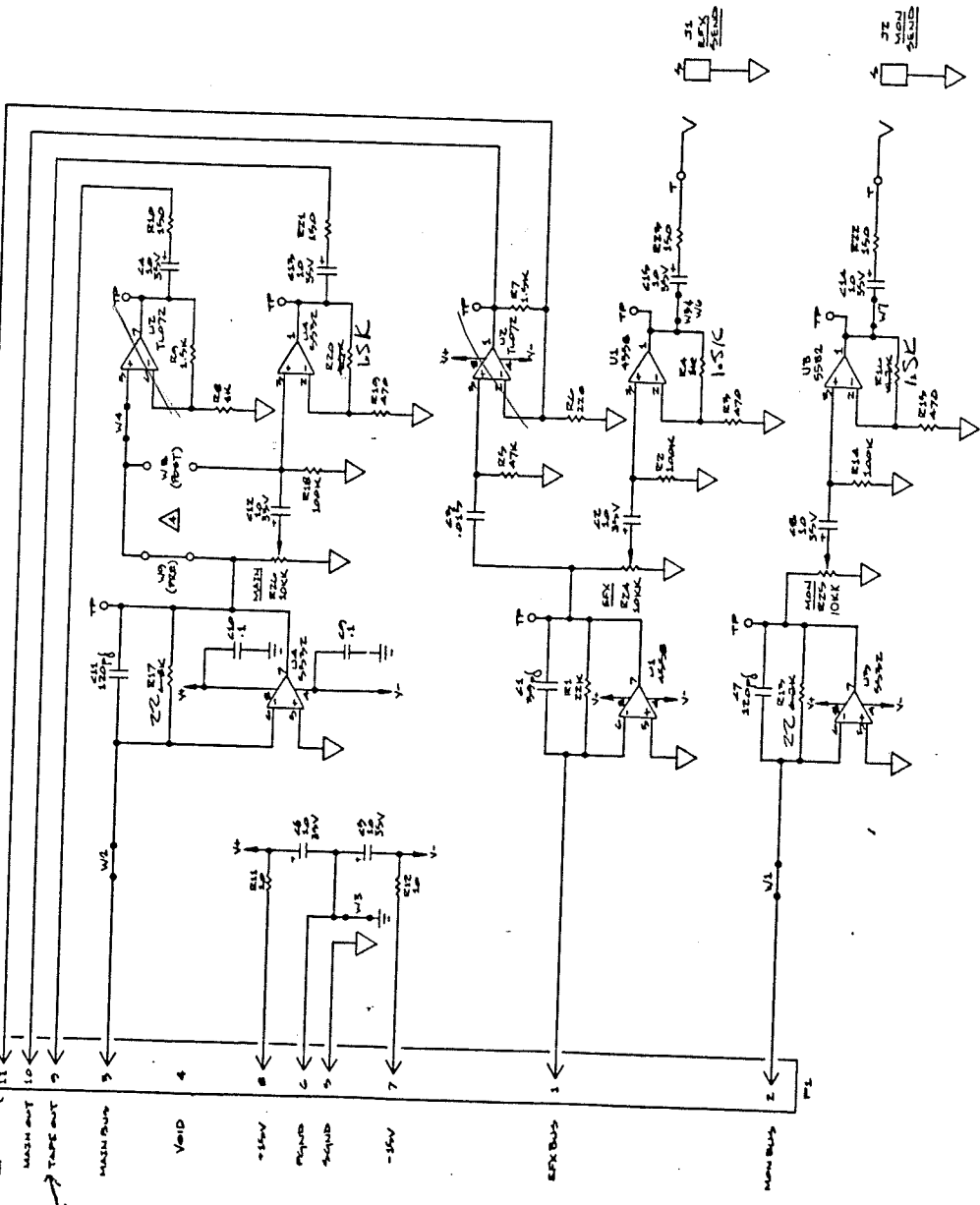


NOTES: UNLESS OTHERWISE SPECIFIED,
 1. ALL RESISTORS $\frac{1}{4}$ W, 5%/TYP
 2. ALL RESISTOR VALUES IN OHMS
 3. ALL CAPACITOR VALUES IN MICROFARADS

- WAVE 1
- WAVE 2
- WAVE 3
- WAVE 4
- WAVE 5
- WAVE 6
- WAVE 7
- WAVE 8
- WAVE 9
- WAVE 10
- WAVE 11
- WAVE 12
- WAVE 13
- WAVE 14
- WAVE 15
- WAVE 16
- WAVE 17
- WAVE 18
- WAVE 19
- WAVE 20

MODEL	REVISION	DATE	BY	APP. NO.	REV. NO.	REV. DATE	REV. BY
BIAMP SYSTEM							
GENERAL INFORMATION PROJECT NO. 100-100-100 DRAWING NO. 100-100-100 SHEET NO. 100-100-100 TOTAL SHEETS 100-100-100 DATE 10/10/10 BY 100-100-100 APP. 100-100-100							

N/C {
 EVB SW
 MASH OUT
 TAPE OUT
 N/C →



NOTES: UNLESS OTHERWISE SPECIFIED,
 1. ALL RESISTORS 1/4 W, 5%
 2. ALL CAPACITORS VALUES IN OHMS
 3. ALL CAPACITOR VALUES IN MICROSECONDS

⚠️ W3 FUSES - INSTALLED FOR PER-MAIN-FAUSE TAPE OUT, REMOVE W3, INSTALL W8.

W1 C15
 W2 R1
 W3 R2
 W4 R3
 W5 R4
 W6 R5
 W7 R6
 W8 R7

REV	DATE	CHANGE

REV	DATE	CHANGE

REV	DATE	CHANGE