

THIS DRAWING IS THE PROPERTY OF BIAMP SYSTEMS, INC. AND MUST BE RETURNED, WITHOUT DUPLICATING AT ANY TIME, ON REQUEST, WHILE IN THE POSSESSION OF THE RECIPIENT. IT MUST BE PROTECTED AGAINST DISCLOSURE TO ANYONE EXCEPT THOSE EMPLOYEES WHO REQUIRE IT FOR THE WORK OR JOB. THE RECIPIENT AND HIS EMPLOYEE MUST KEEP CONFIDENTIAL, AND NOT MAKE UNAUTHORIZED USE OF, THE INFORMATION CONTAINED HEREON.

REV.	E.C.D.	CHECKED	CHANGE	DATE	BY
A	184-88		REV. A FILM. REMOVED D2, D3, R74, R77, ADDED C59.	5-31-88	ND
B	312-88		CHG'D R34 AND R85 IN LIMIT THRESHOLD CKT.	11-30-88	ND
C	081-89		CHG'D F1 + F2 FROM 1/2 A 5B TO 1A NB	3-23-89	BD

1

2

3

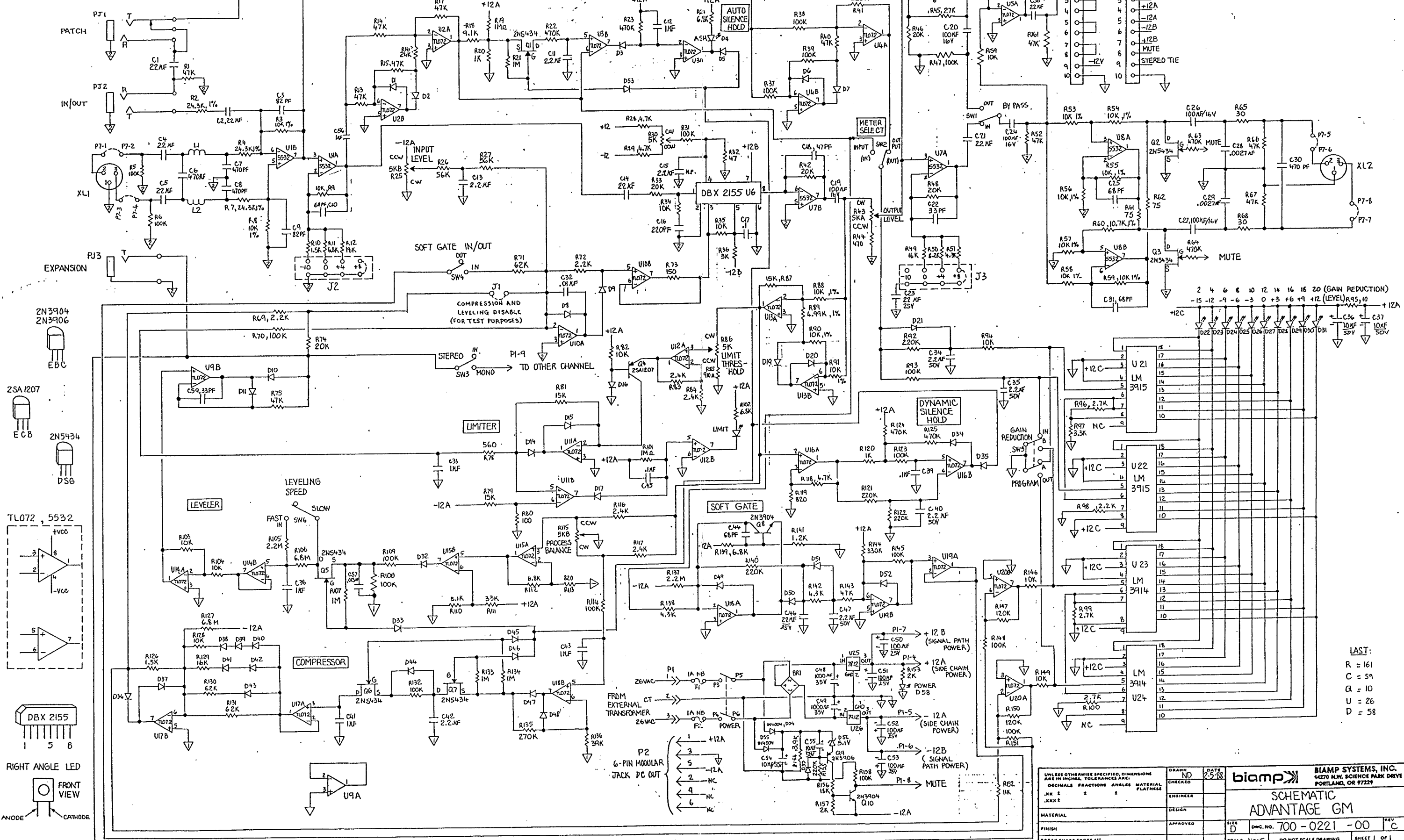
4

1

2

3

4



- 2N3904
- 2N3906
- EBC
- 2SA1207
- ECB
- 2N5434
- DS6
- TL072, 5532
- DBX 2155
- RIGHT ANGLE LED
- FRONT VIEW
- ANODE
- CATHODE

UNLESS OTHERWISE SPECIFIED, DIMENSIONS ARE IN INCHES. TOLERANCES ARE:		DRAWN	DATE	biamp	BIAMP SYSTEMS, INC. 14270 N.W. SCIENCE PARK DRIVE PORTLAND, OR 97229
DECIMALS FRACTIONS ANGLES MATERIAL FINISHES		NO	25-88		
JXX ± .XXX	± .001	ENGINEER		SCHEMATIC ADVANTAGE GM	
MATERIAL		DESIGN			
FINISH		APPROVED		SIZE	REV
BREAK SHARP EDGES 45° CHAMFER OR RADIUS .016 MAX. YES NO		SCALE		NO. 700-0221-00	c
				DO NOT SCALE DRAWING	SHEET 1 OF 1

LAST:
R = 161
C = 59
Q = 10
U = 26
D = 58