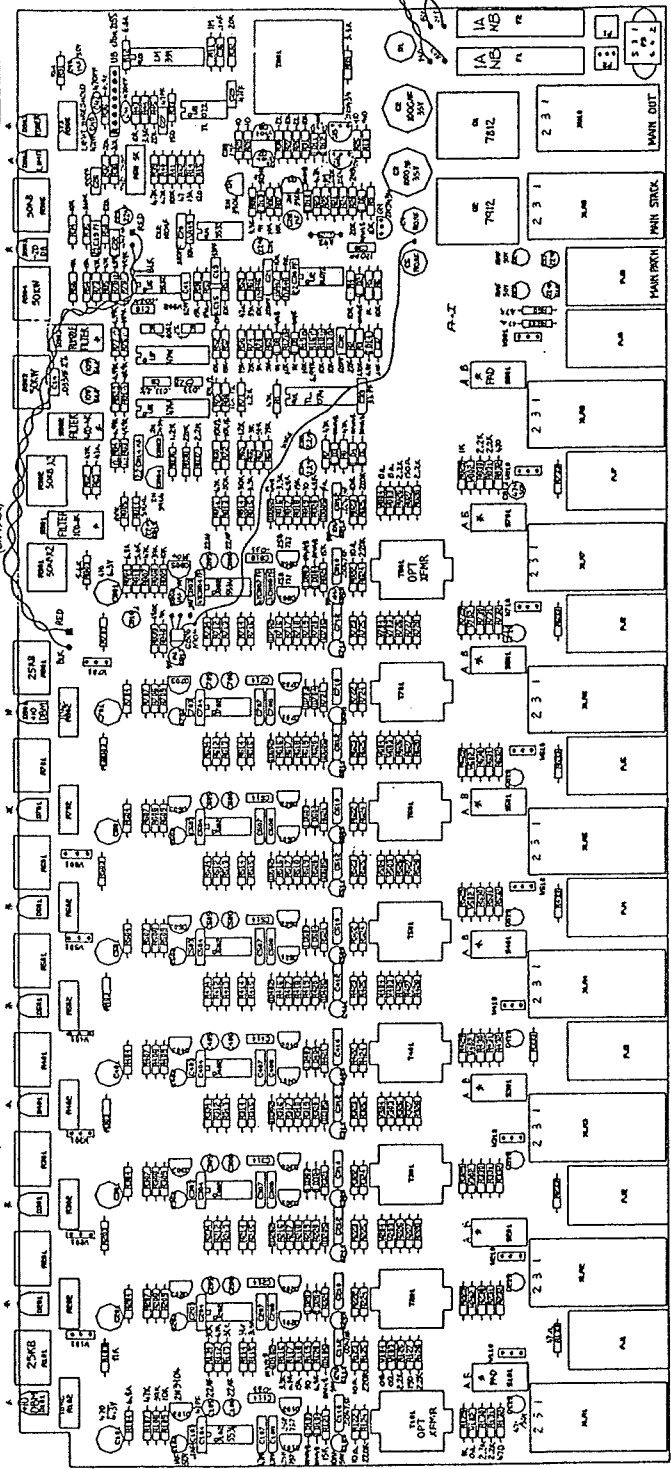


Advantage "System One"
Modular Mixing System

Schematic

B I A M P[®]
S Y S T E M S

REV.	DATE	DESCRIPTION
1	12-15-83	NEW PCB LAYOUT
2	01-10-84	REVISED FROM 150A TO 150B
3	02-28-84	REVISED FROM 150A TO 150B
4	03-09-84	REVISED FROM 150A TO 150B
5	03-23-84	REVISED FROM 150A TO 150B
6	04-11-84	REVISED FROM 150A TO 150B
7	04-27-84	REVISED FROM 150A TO 150B
8	05-10-84	REVISED FROM 150A TO 150B
9	05-24-84	REVISED FROM 150A TO 150B
10	06-07-84	REVISED FROM 150A TO 150B
11	06-21-84	REVISED FROM 150A TO 150B
12	07-05-84	REVISED FROM 150A TO 150B
13	07-19-84	REVISED FROM 150A TO 150B
14	08-02-84	REVISED FROM 150A TO 150B
15	08-16-84	REVISED FROM 150A TO 150B
16	08-30-84	REVISED FROM 150A TO 150B
17	09-13-84	REVISED FROM 150A TO 150B
18	09-27-84	REVISED FROM 150A TO 150B
19	10-11-84	REVISED FROM 150A TO 150B
20	10-25-84	REVISED FROM 150A TO 150B



380-0199-01 REV B

JUMPERABLE OPTIONS

PHANTOM POWER ON EACH CHANNEL	W/NO-W/SD	<input type="checkbox"/> OFF	<input type="checkbox"/> ON
PHANTOM SUPPLY	W 910	<input type="checkbox"/> EXTERNAL	<input type="checkbox"/> INTERNAL
MUTE BUSS	W/IN-W/10A	<input type="checkbox"/> CONNECTED	<input type="checkbox"/> NOT CONNECTED
EOL	W 910Z	<input type="checkbox"/> EOL OUT	<input type="checkbox"/> EOL IN

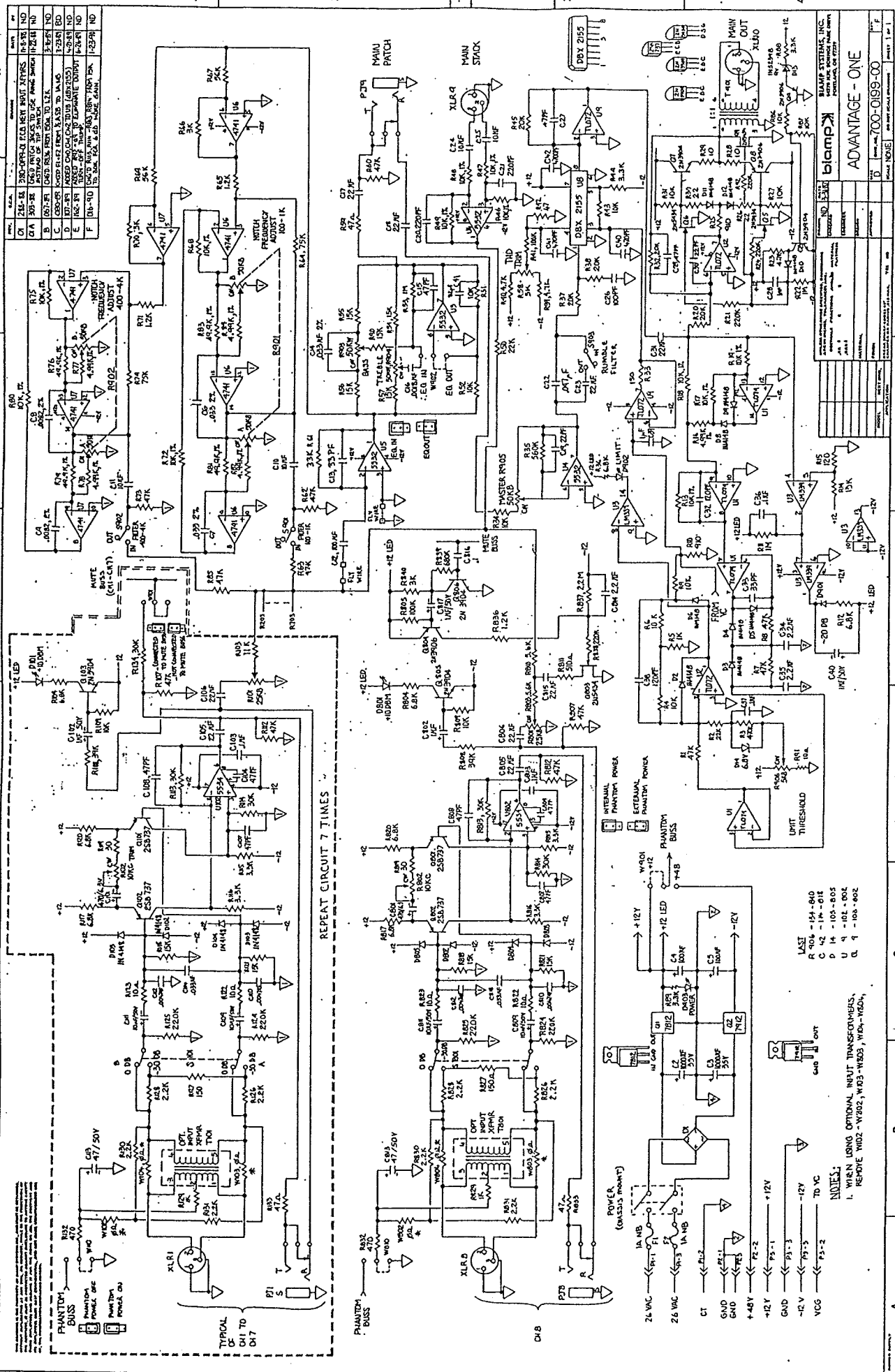
- NOTES:**
1. WHEN USING OPTIONAL INPUT TRANSFORMERS, REMOVE W/10Z - W/10Z, W/10Z-1, W/10Z-2, W/10Z-3, W/10Z-4, W/10Z-5.
 2. COMPONENTS MARKED 'A' ARE INSTALLED ON THE SOLDER SIDE.
 3. CHANNEL 1 - CHANNEL 7 ARE IDENTICAL.

blamp SYSTEMS, INC.
4000 W. 10TH AVE., SUITE 100
DENVER, CO 80202
701-751-1111

**COMPONENT LAYOUT
ADVANTAGE — ONE**

DATE: 12-15-83
DRAWN BY: J. J. BLAMP
CHECKED BY: J. J. BLAMP
APPROVED BY: J. J. BLAMP

PROJECT: 380-0199-01
SHEET: 1 OF 1



REF	QTY	DESCRIPTION	MANUFACTURER	MARKING	NO.
1	1	240-0191-1 (C.D. REPT. INPUT TRANSFORMER)
2	1	240-0191-2 (C.D. REPT. INPUT TRANSFORMER)
3	1	240-0191-3 (C.D. REPT. INPUT TRANSFORMER)
4	1	240-0191-4 (C.D. REPT. INPUT TRANSFORMER)
5	1	240-0191-5 (C.D. REPT. INPUT TRANSFORMER)
6	1	240-0191-6 (C.D. REPT. INPUT TRANSFORMER)
7	1	240-0191-7 (C.D. REPT. INPUT TRANSFORMER)
8	1	240-0191-8 (C.D. REPT. INPUT TRANSFORMER)
9	1	240-0191-9 (C.D. REPT. INPUT TRANSFORMER)
10	1	240-0191-10 (C.D. REPT. INPUT TRANSFORMER)

REF	QTY	DESCRIPTION	MANUFACTURER	MARKING	NO.
1	1	7418
2	1	7413
3	1	7414
4	1	7415
5	1	7416
6	1	7417
7	1	7418
8	1	7419
9	1	7420
10	1	7421

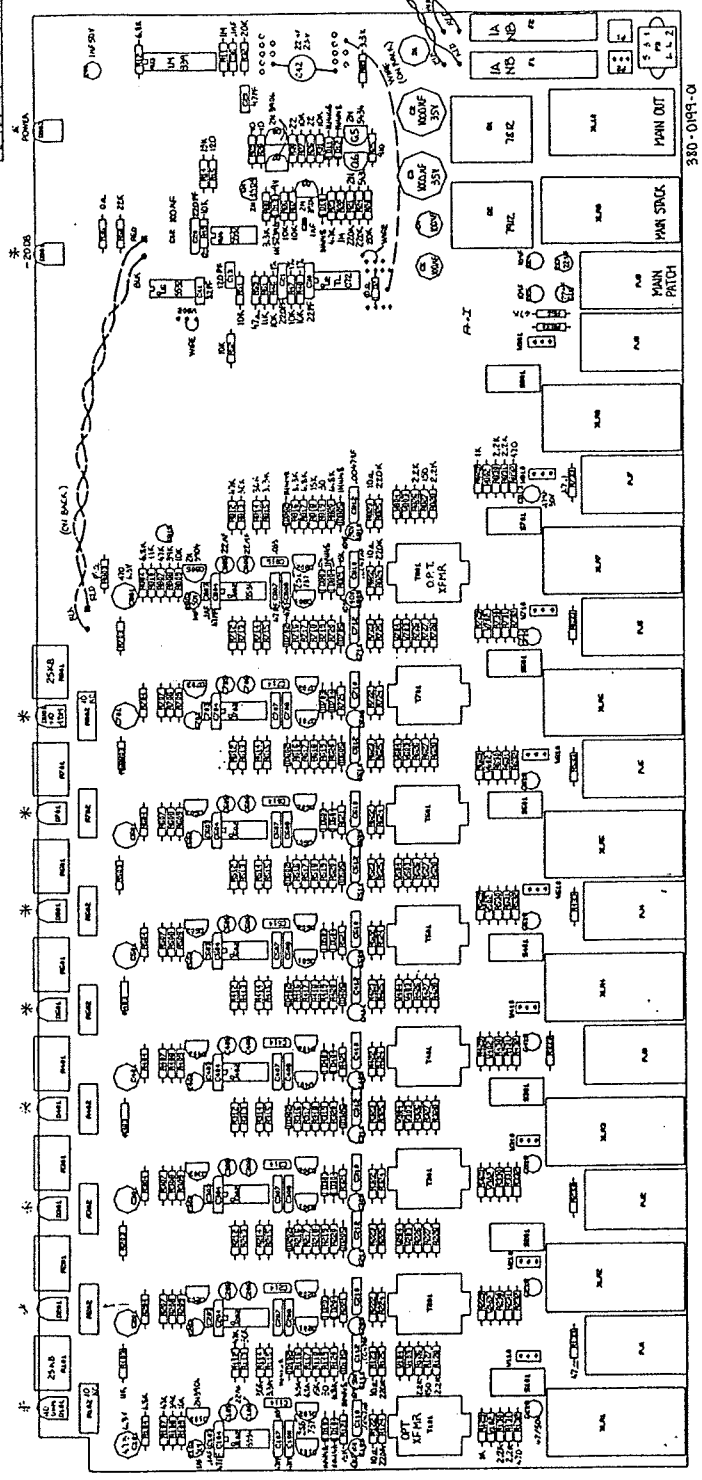
LAST
 R 404 - 154 - 840
 C 4 - 104 - 816
 D 14 - 104 - 805
 U 1 - 104 - 804
 U 2 - 104 - 802

NOTES:
 1. WHEN USING OPTIONAL INPUT TRANSFORMERS,
 REMOVE W202, W203, W204, W205.

biamp
ADVANTAGE - ONE
 PART NO. 240-0191-00
 PRINTED IN U.S.A.

A
 B
 C
 D
 E
 F
 G
 H

1	2	3	4
016 3575-355	016 3575-356	016 3575-357	016 3575-358
016 3575-359	016 3575-360	016 3575-361	016 3575-362
016 3575-363	016 3575-364	016 3575-365	016 3575-366
016 3575-367	016 3575-368	016 3575-369	016 3575-370
016 3575-371	016 3575-372	016 3575-373	016 3575-374
016 3575-375	016 3575-376	016 3575-377	016 3575-378
016 3575-379	016 3575-380	016 3575-381	016 3575-382
016 3575-383	016 3575-384	016 3575-385	016 3575-386
016 3575-387	016 3575-388	016 3575-389	016 3575-390
016 3575-391	016 3575-392	016 3575-393	016 3575-394
016 3575-395	016 3575-396	016 3575-397	016 3575-398
016 3575-399	016 3575-400	016 3575-401	016 3575-402

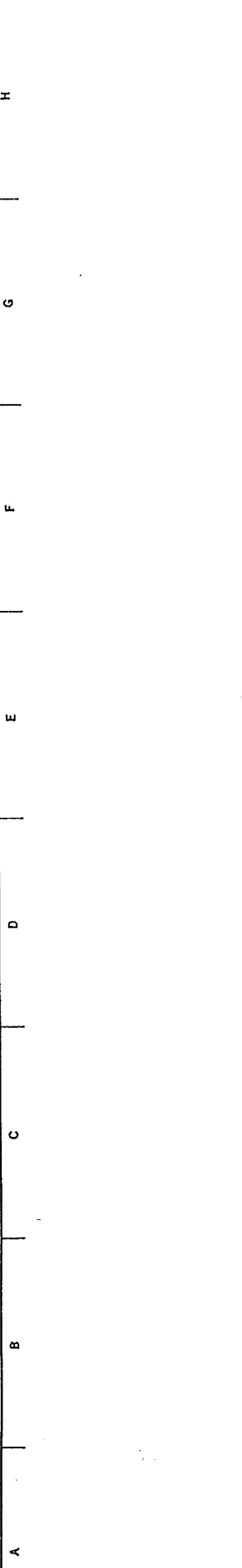


380-0199-0

- NOTES:
1. WHEN USING OPTIONAL INPUT TRANSFORMERS, REMOVE W102 - W103, W104 - W105.
 2. COMPONENTS MARKED * ARE INSTALLED ON THE SOLDER SIDE.
 3. CHANNEL 1 - CHANNEL 7 ARE IDENTICAL.

TYPICAL OF ALL 7 CHANNELS
REPEAT 7 TIMES.

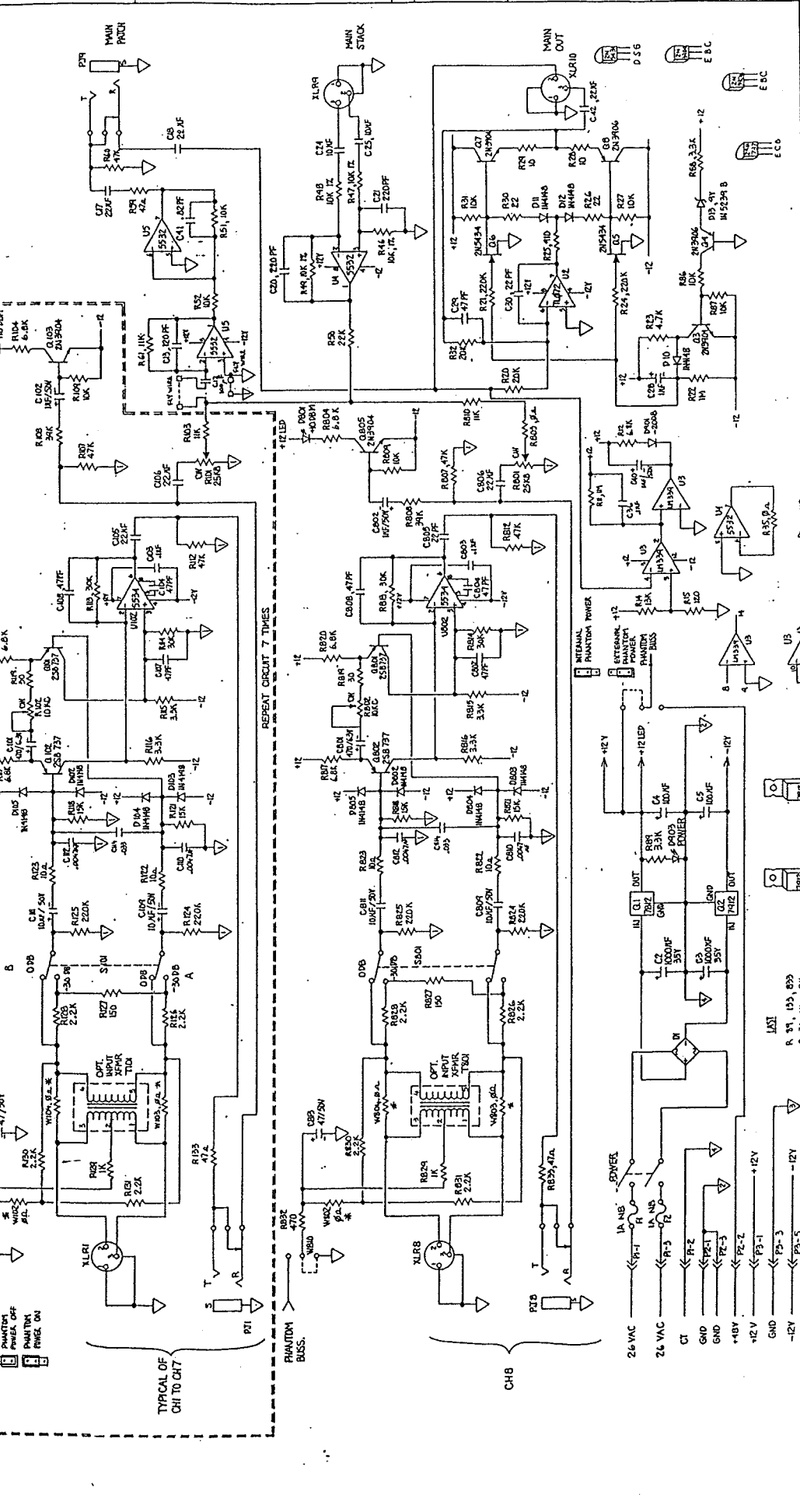
blamp		BLAMP SYSTEMS, INC. 701-0200-00	
NO. 701-0200-00	REV. 1.0	DATE	1/1/81
COMPONENT LAYOUT			
ADVANTAGE - EX			
NO. 701-0200-00	REV. 1.0	DATE	1/1/81
DRAWN BY: J. J. ...			
CHECKED BY: ...			
APPROVED BY: ...			
MATERIALS: ...			
REVISIONS: ...			



NO	REV	DATE	BY	CHK
1				
2				
3				
4				

NO	REV	DATE	BY	CHK
1				
2				
3				
4				

NO	REV	DATE	BY	CHK
1				
2				
3				
4				



biamp
ADVANTAGE-EX

PHANTOM BUS SYSTEMS, INC.
4000 W. 10TH AVE., SUITE 100
DENVER, CO 80202

PHONE: 700-0200-00
FAX: 700-0200-00

PHANTOM BUS SYSTEMS, INC.
4000 W. 10TH AVE., SUITE 100
DENVER, CO 80202

PHONE: 700-0200-00
FAX: 700-0200-00

NOTES:

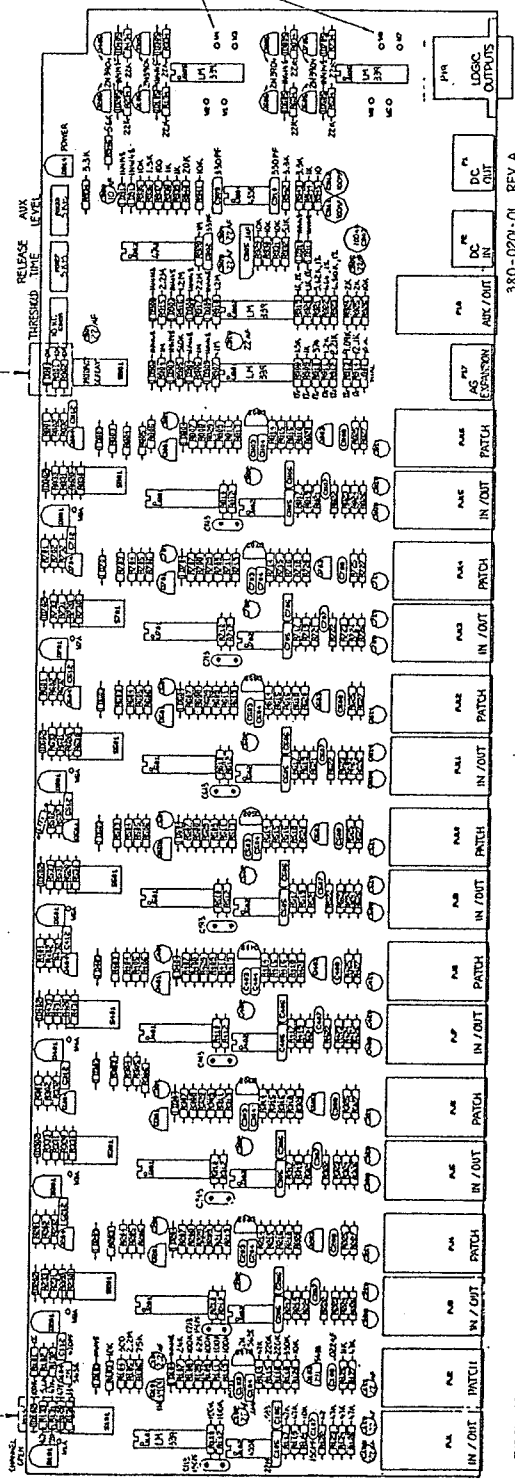
- WHEN USING OPTIONAL INPUT TRANSFORMERS, REMOVE W102-W107, W103-W108, W104-W108.

LIST

- R 31, 153, 233
- C 31, 114, 114
- D 1, 105, 105
- U 5, 102, 102
- G 6, 102, 102

NOTE:
 D 901
 R 901
 R 902
 INSTALLED
 ON BACK OF P.C.E.

NOTE:
 R101
 R102
 R103
 R104
 R105
 R106
 R107
 R108
 R109
 R110
 R111
 R112
 R113
 R114
 R115
 R116
 R117
 R118
 R119
 R120
 R121
 R122
 R123
 R124
 R125
 R126
 R127
 R128
 R129
 R130
 R131
 R132
 R133
 R134
 R135
 R136
 R137
 R138
 R139
 R140
 R141
 R142
 R143
 R144
 R145
 R146
 R147
 R148
 R149
 R150
 INSTALLED
 ON ALL EIGHT CHANNELS

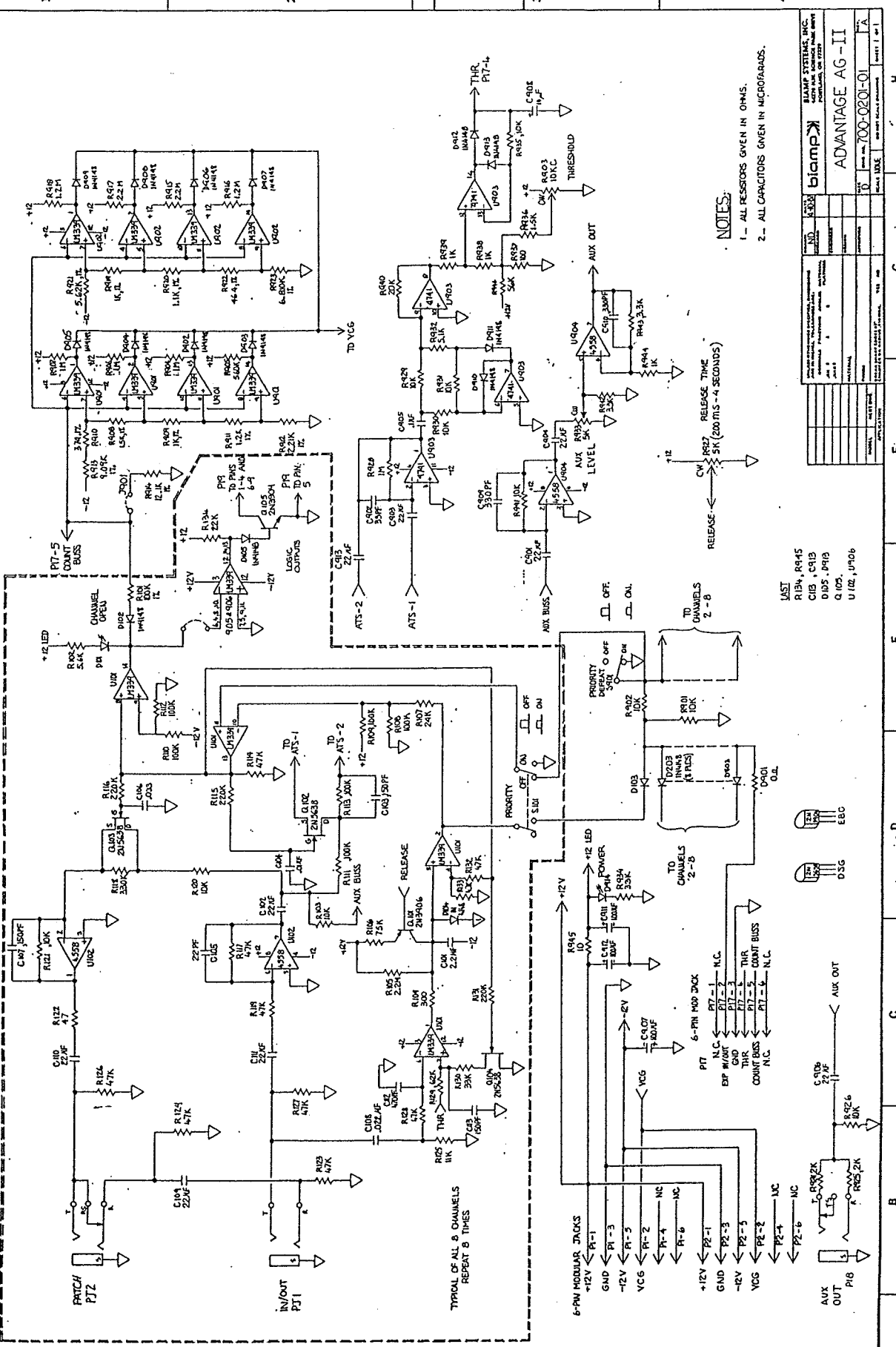


380-0201-01 REV. A

— TYPICAL OF ALL 8 CHANNELS
 REPEAT 8 TIMES

blamp		blamp SYSTEMS, INC. 4000 W. 10TH AVENUE, SUITE 100 DENVER, CO 80202	
COMPONENT LAYOUT		ADVANTAGE - AG II	
REV. A		DATE: 7-01-02-01-01	
DRAWN BY: [blank]		CHECKED BY: [blank]	
DESIGNED BY: [blank]		DATE: [blank]	
PROJECT: [blank]		PAGE: [blank]	

A B C D E F G H



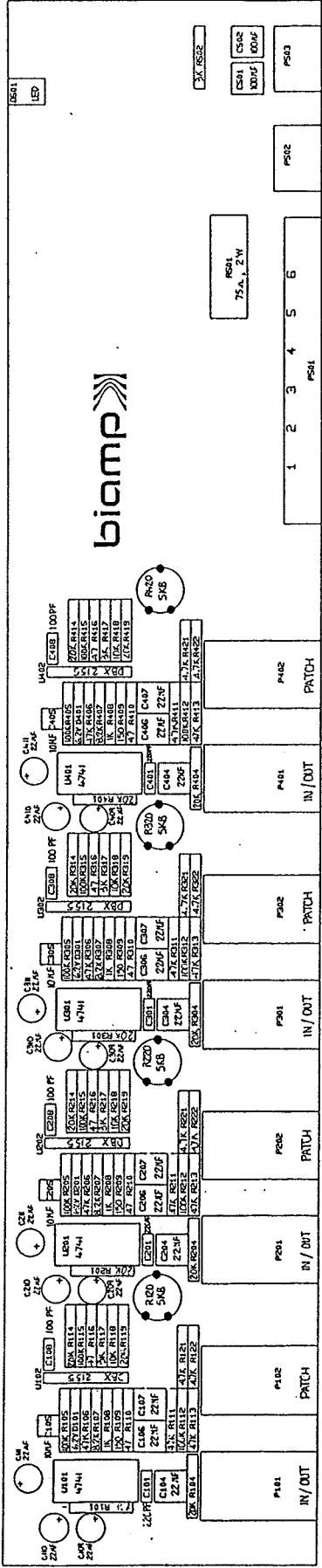
NOTES:

- 1 - ALL RESISTORS GIVEN IN OHMS.
- 2 - ALL CAPACITORS GIVEN IN MICROFARADS.

ADVANTAGE AG-II	
<p>Part Number: 700-020-01</p> <p>Revision: 10</p> <p>DATE: 10/10/77</p> <p>DESIGNED BY: [Blank]</p> <p>DRAWN BY: [Blank]</p> <p>CHECKED BY: [Blank]</p> <p>APPROVED BY: [Blank]</p>	<p>DATE: 10/10/77</p> <p>REVISION: 10</p> <p>DESCRIPTION: ADVANTAGE AG-II</p> <p>QUANTITY: 100</p> <p>PRICE: \$1,200.00</p> <p>TOTAL: \$120,000.00</p>

LAST
 R101, R945
 C101, C102
 U1001, U1002
 U1003, U1004

C 101-44 380-0202-00 REV B

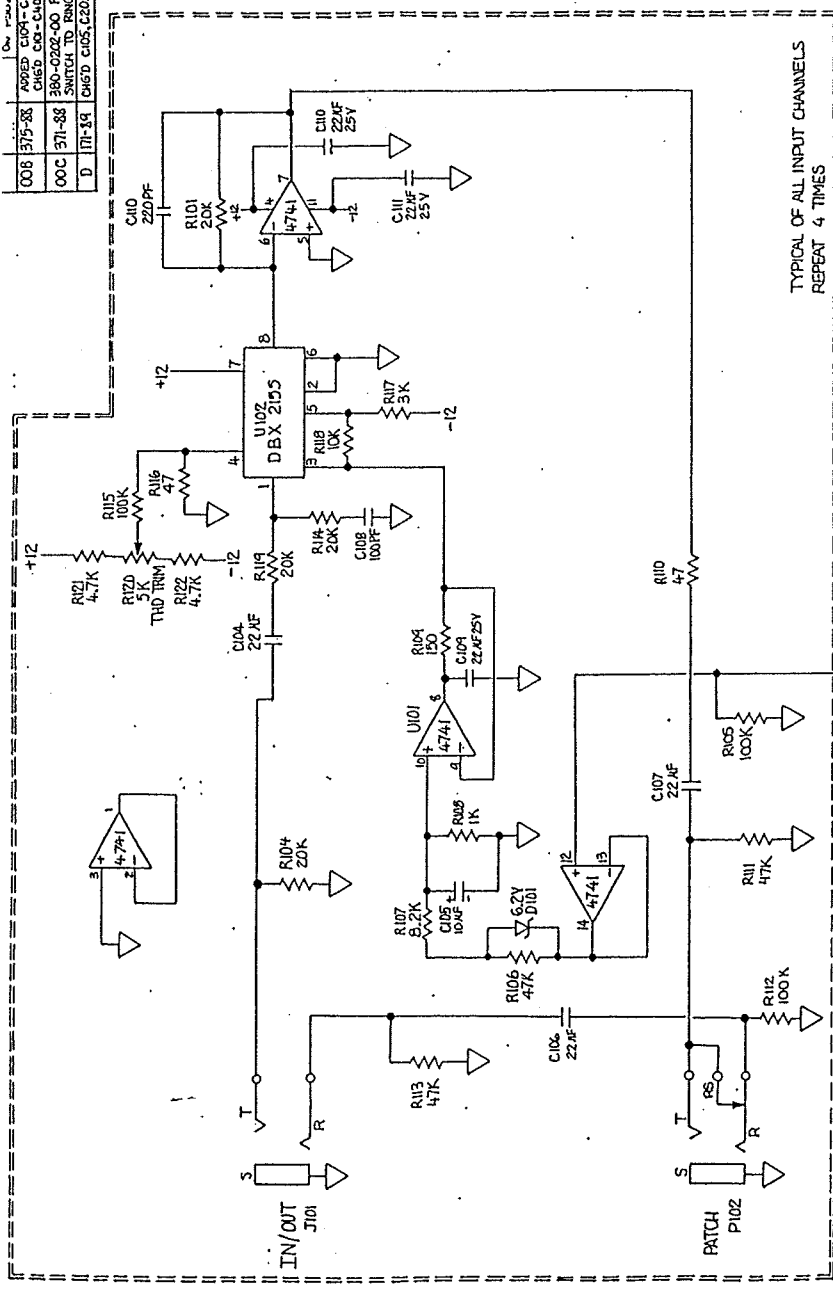
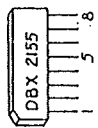


380-0202-00 REV B

biamp		BIAMP SYSTEMS, INC. 1000 W. 10TH AVENUE, SUITE 100 DENVER, CO 80202	
COMPONENT LAYOUT		ADVANTAGE RC	
701-0202-00		REV B	
DATE: 10/11/01		DRAWN BY: J. B. BROWN	
CHECKED BY: J. B. BROWN		APPROVED BY: J. B. BROWN	
PROJECT: 701-0202-00		SHEET: 1 OF 1	

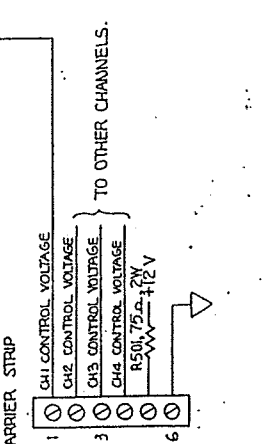
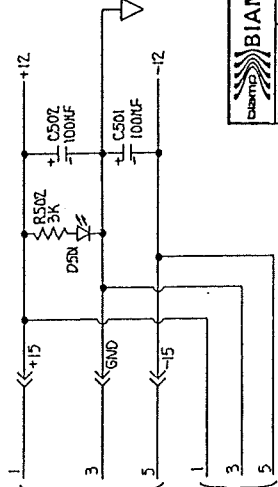
A B C D E F G H

On page 1 P-208.
 C08 375-38 ADDED C104-C109, C10-C110, C11-C111 ND 12-27-81 ND
 C12 C08-C101 FROM 147F TO 220PF
 C08 371-38 380-0202-00 REV.B PCB. CHG'D FROM TIP 1-24-81 ND
 SWITCH TO BING SWITCH.
 D 171-39 CHG'D C105, C205, C305, C106 FROM 100K TO 100K 7-14-81 ND



TYPICAL OF ALL INPUT CHANNELS
 REPEAT 4 TIMES

6-PIN MODULAR JACK



LAST
 R 122, 122, R 502.
 C 111, 111, C 502
 D 101, 401, D 501
 U 102, 402.

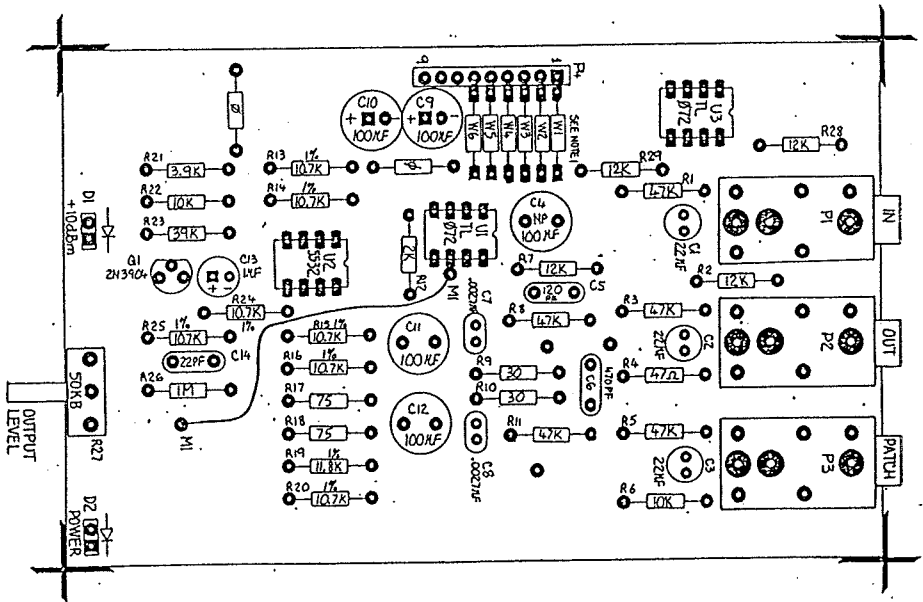
BIAMP SYSTEMS

DATE	BY
REV. A - C - E1	
ND	

ADVANTAGE RC

7000202-00
 REV. D

This document is the property of Blamp Systems, Inc. and is loaned to you for your use only. It is not to be distributed, copied, or reproduced in any form without the written permission of Blamp Systems, Inc. The information contained herein is confidential and its disclosure to unauthorized persons is prohibited. If you are not an authorized user, you should not use this information. If you are an authorized user, you should not disclose this information to unauthorized persons. If you have any questions, please contact Blamp Systems, Inc. at (714) 962-1111.

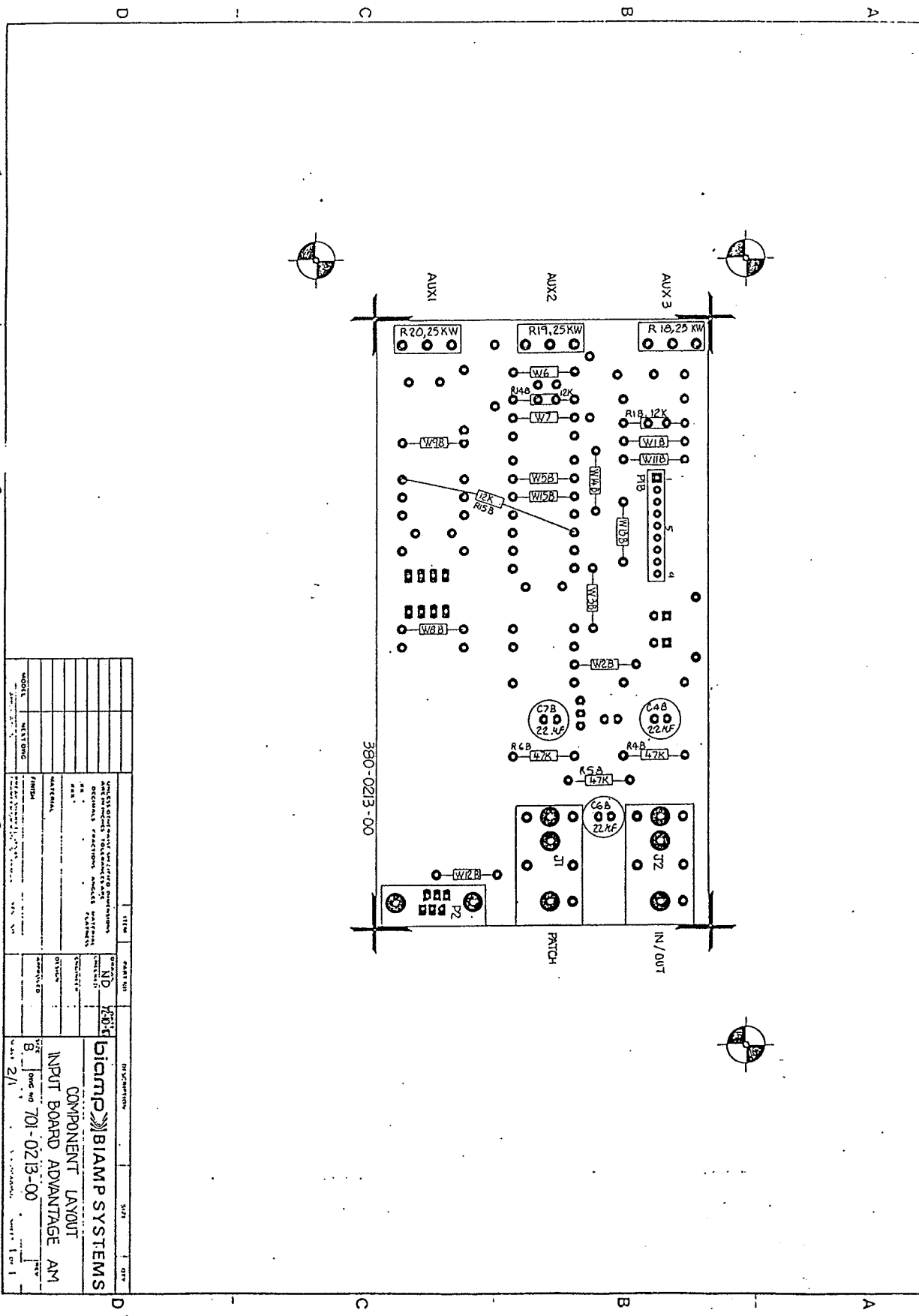


- NOTES:
1. FOR AUX1 BOARD, INSTALL W5, W6 ONLY
 2. FOR AUX2 BOARD, INSTALL W3, W4 ONLY
 3. FOR AUX3 BOARD, INSTALL W1, W2 ONLY

REV.	ECO.	CHANGES	DATE	BY
A	016-88	NEW 10A OPER. 1 TO FIK R10SE THROUGH	3-8-88	ND
B	355-1E	CHGD R27 FROM 6.8K TO 3.9K	12-27-88	ND

DESCRIPTION	SIZE	REV.
blamp SYSTEMS COMPONENT LAYOUT ADVANTAGE AM AUX BOARD		
NO. 5388		
DATE: 701-0212-00		
SCALE: 2/1		

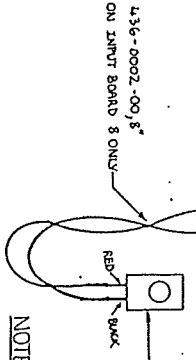
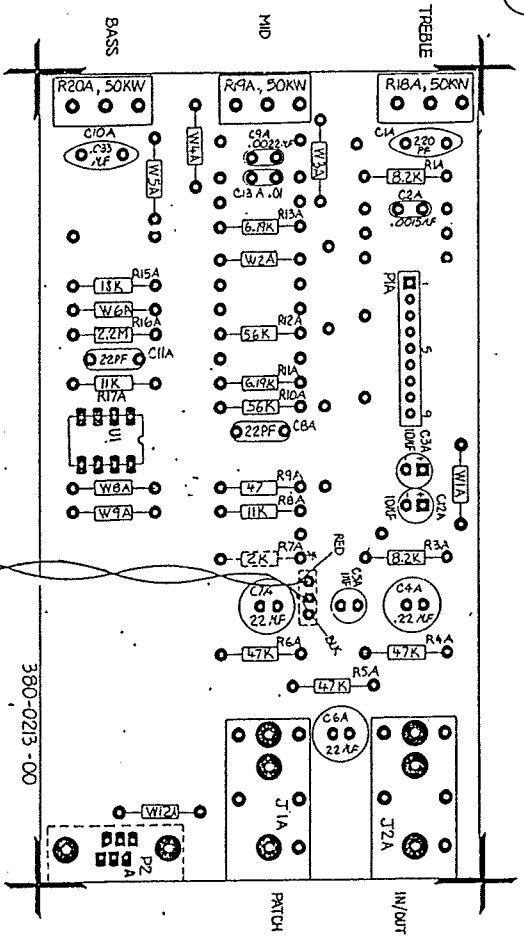
THIS DRAWING IS THE PROPERTY OF BIAMP SYSTEMS, INC. AND IS NOT TO BE REPRODUCED OR TRANSMITTED IN ANY FORM OR BY ANY MEANS, ELECTRONIC OR MECHANICAL, INCLUDING PHOTOCOPYING, RECORDING, OR BY ANY INFORMATION STORAGE AND RETRIEVAL SYSTEM, WITHOUT THE WRITTEN PERMISSION OF BIAMP SYSTEMS, INC.



ITEM	QTY	DESCRIPTION
1	1	BIAMP SYSTEMS COMPONENT BOARD
2	1	BIAMP SYSTEMS COMPONENT BOARD
3	1	BIAMP SYSTEMS COMPONENT BOARD
4	1	BIAMP SYSTEMS COMPONENT BOARD
5	1	BIAMP SYSTEMS COMPONENT BOARD
6	1	BIAMP SYSTEMS COMPONENT BOARD
7	1	BIAMP SYSTEMS COMPONENT BOARD
8	1	BIAMP SYSTEMS COMPONENT BOARD
9	1	BIAMP SYSTEMS COMPONENT BOARD
10	1	BIAMP SYSTEMS COMPONENT BOARD
11	1	BIAMP SYSTEMS COMPONENT BOARD
12	1	BIAMP SYSTEMS COMPONENT BOARD
13	1	BIAMP SYSTEMS COMPONENT BOARD
14	1	BIAMP SYSTEMS COMPONENT BOARD
15	1	BIAMP SYSTEMS COMPONENT BOARD
16	1	BIAMP SYSTEMS COMPONENT BOARD
17	1	BIAMP SYSTEMS COMPONENT BOARD
18	1	BIAMP SYSTEMS COMPONENT BOARD
19	1	BIAMP SYSTEMS COMPONENT BOARD
20	1	BIAMP SYSTEMS COMPONENT BOARD
21	1	BIAMP SYSTEMS COMPONENT BOARD
22	1	BIAMP SYSTEMS COMPONENT BOARD
23	1	BIAMP SYSTEMS COMPONENT BOARD
24	1	BIAMP SYSTEMS COMPONENT BOARD
25	1	BIAMP SYSTEMS COMPONENT BOARD
26	1	BIAMP SYSTEMS COMPONENT BOARD
27	1	BIAMP SYSTEMS COMPONENT BOARD
28	1	BIAMP SYSTEMS COMPONENT BOARD
29	1	BIAMP SYSTEMS COMPONENT BOARD
30	1	BIAMP SYSTEMS COMPONENT BOARD

Biamp SYSTEMS
 COMPONENT LAYOUT
 INPUT BOARD ADVANTAGE AM
 Part No. 701-0213-00
 Rev. 2/1

REV.	DATE	BY	CHK
1	07/6-85	ND	ND

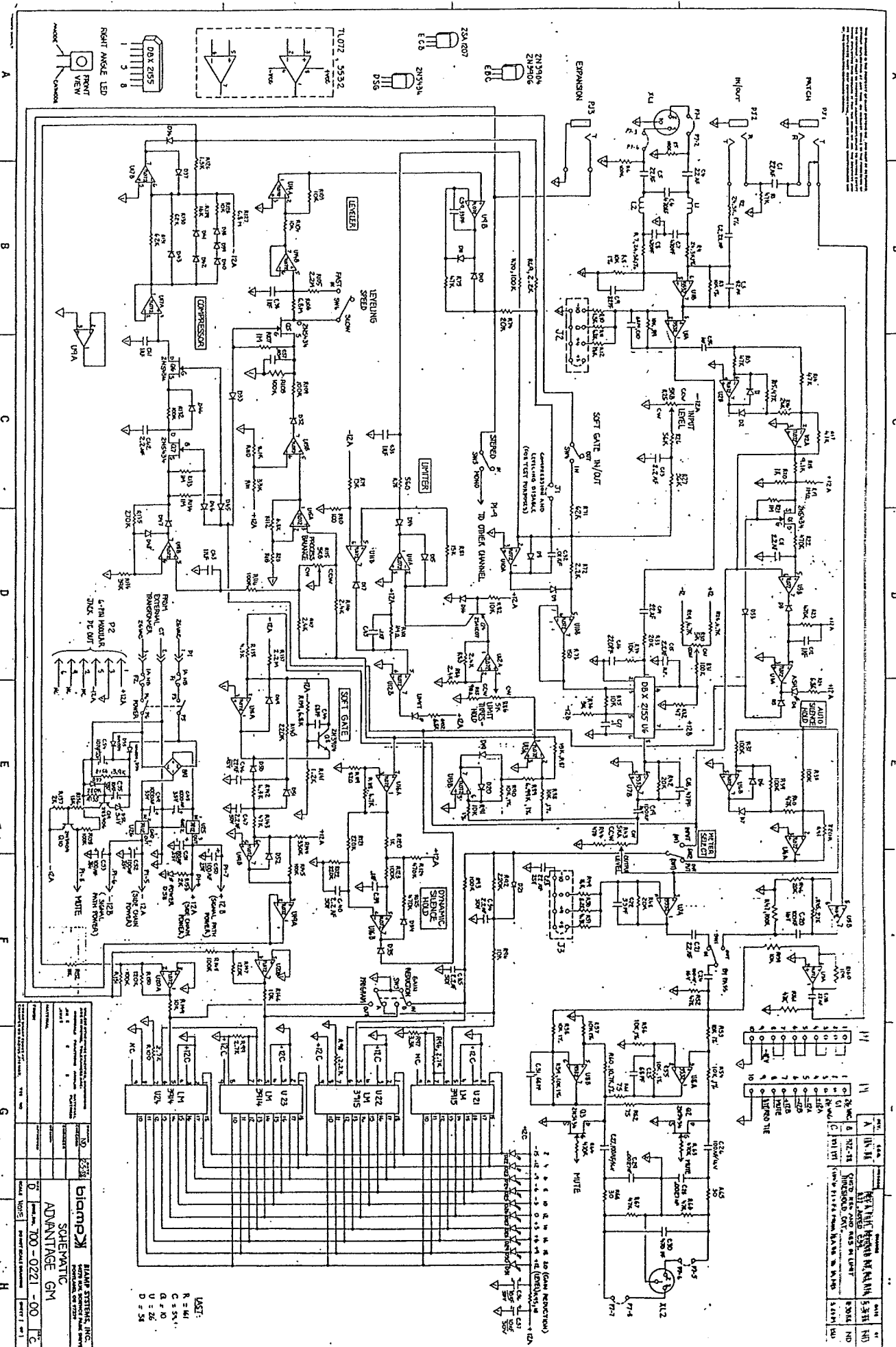


- NOTES:**
1. INSTALL P2 ON INPUT BOARDS 7 AND 8 ONLY.
 2. INSTALL R7A ON INPUT BOARD 8 ONLY.

DATE	REV.	BY	CHK
07/6-85	1	ND	ND
380-0213-00 BIAMP SYSTEMS COMPONENT LAYOUT 3 BAND — ADVANTAGE EQ 701-0214-00			
REV.	DATE	BY	CHK
1	07/6-85	ND	ND

THIS DOCUMENT IS THE PROPERTY OF BIAMP SYSTEMS, INC. IT IS TO BE USED ONLY FOR THE PROJECT AND FOR THE PERSONNEL SPECIFIED HEREIN. IT IS NOT TO BE REPRODUCED, COPIED, OR DISSEMINATED IN ANY MANNER WITHOUT THE WRITTEN PERMISSION OF BIAMP SYSTEMS, INC.

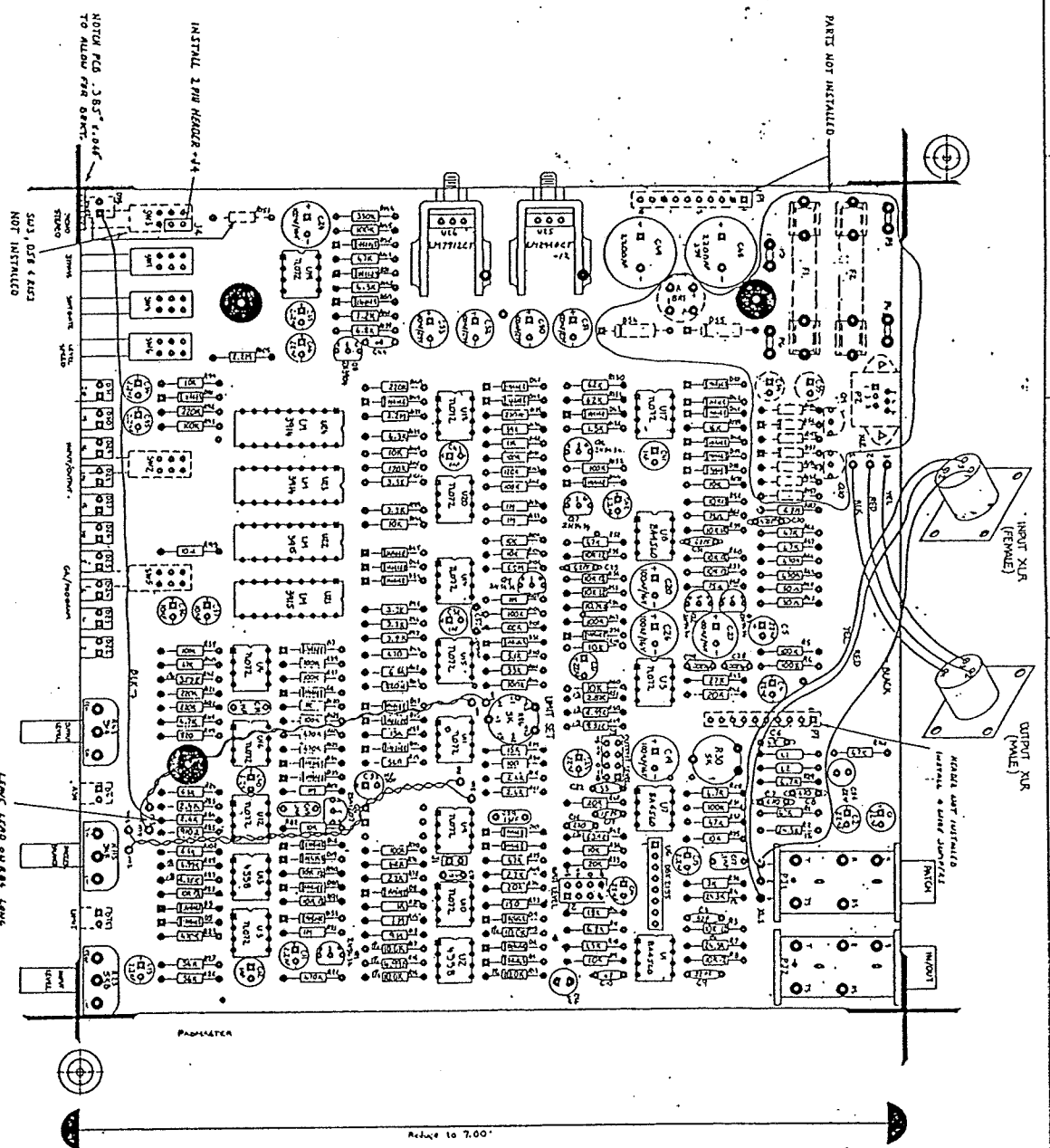
THIS DRAWING IS THE PROPERTY OF BILAMP SYSTEMS, INC. IT IS TO BE USED ONLY FOR THE PROJECT SPECIFICALLY IDENTIFIED HEREIN. IT IS NOT TO BE REPRODUCED OR TRANSMITTED IN ANY FORM OR BY ANY MEANS, ELECTRONIC OR MECHANICAL, INCLUDING PHOTOCOPYING, RECORDING, OR BY ANY INFORMATION STORAGE AND RETRIEVAL SYSTEM, WITHOUT THE WRITTEN PERMISSION OF BILAMP SYSTEMS, INC.



Biamp		BIAMP SYSTEMS, INC.	
SOLEMPATIC		3000 WALKER DRIVE, WESTFIELD, MASS. 01095	
ADVANTAGE GM		TELEPHONE (617) 552-1111	
Model No. 700-0221-00		PART NO. 700-0221-00	
REV. 1		REV. 1	

LIMIT:
 R = 5K
 C = 50P
 G = 10
 U = 2Z
 D = 54

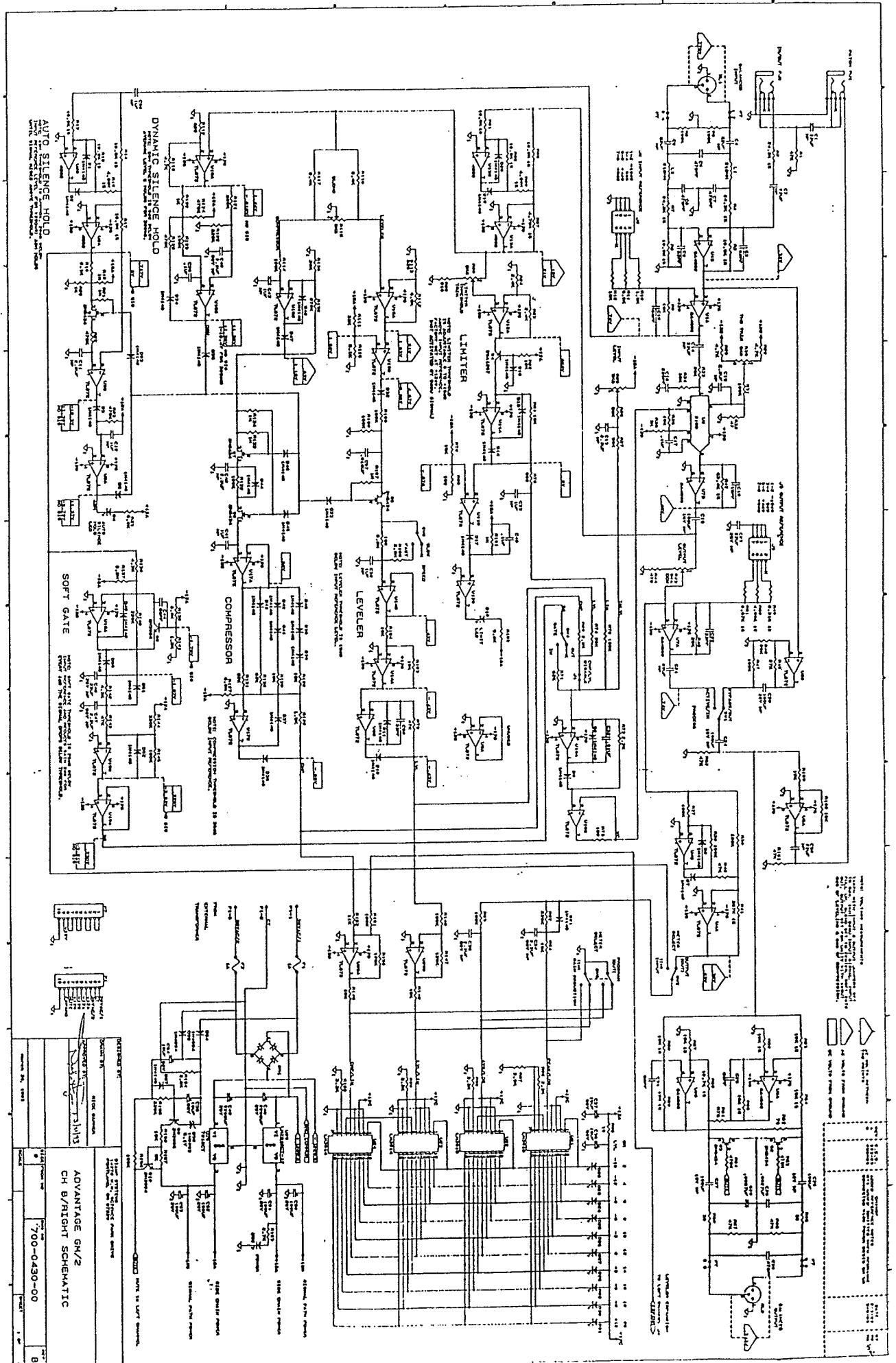
NO.	QTY.	DESCRIPTION	UNIT
1	1	PCB	PCB
2	1	PCB	PCB
3	1	PCB	PCB
4	1	PCB	PCB
5	1	PCB	PCB
6	1	PCB	PCB
7	1	PCB	PCB
8	1	PCB	PCB
9	1	PCB	PCB
10	1	PCB	PCB



DATE	REV	BY	CHKD
01/11/71	1	WHL	WHL
BIOMPH K COMPONENT LAYOUT ADVANTAGE GM/2 ALEFT 701-0429-00 27			

NO.	DESCRIPTION	QTY	UNIT
1	0.032 PTH	1	PTH
2	0.031 PTH	1	PTH
3	0.041 PTH	1	PTH
4	0.062 PTH	1	PTH
5	0.093 NPTD	1	NPTD
6	0.124 NPTD	1	NPTD
7	0.155 OPT	1	OPT

DATE	REV	BY	CHKD
01/11/71	1	WHL	WHL



AUTO SILENCE HOLD
 DYNAMIC SILENCE HOLD
 SOFT GATE
 COMPRESSOR
 LEVELER
 LIMITER
 AFTERBURN

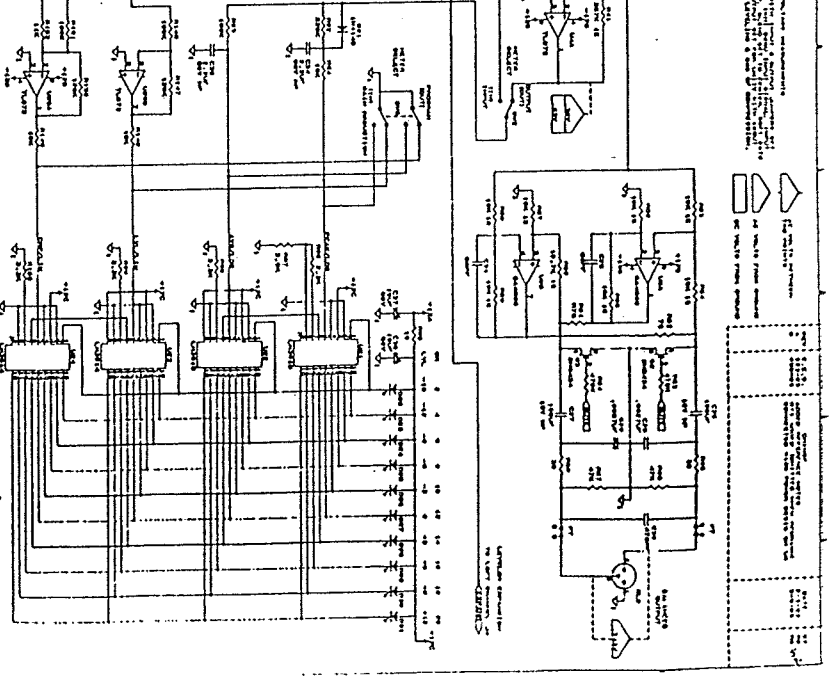
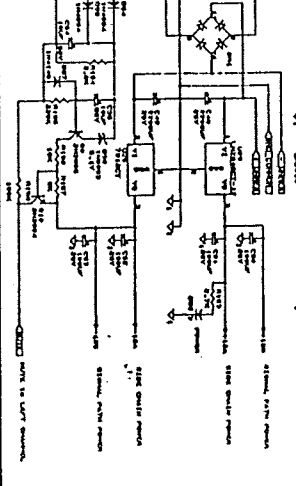
SOFT GATE

COMPRESSOR

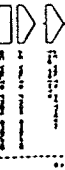
LEVELER

LIMITER

ADVANTAGE GM/2
 CH B/RIGHT SCHEMATIC
 700-0430-00
 8



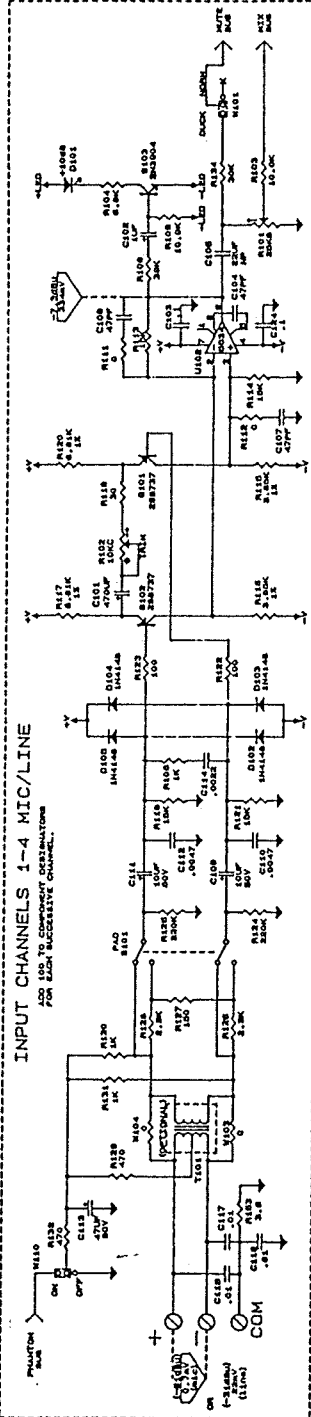
1. This schematic is for the Advantage GM/2 CH B/RIGHT Schematic. It is a detailed drawing of the internal wiring of the component. It shows the connections between the various components and the pins of the component. It is a technical drawing and should be used as a guide for the assembly and repair of the component.



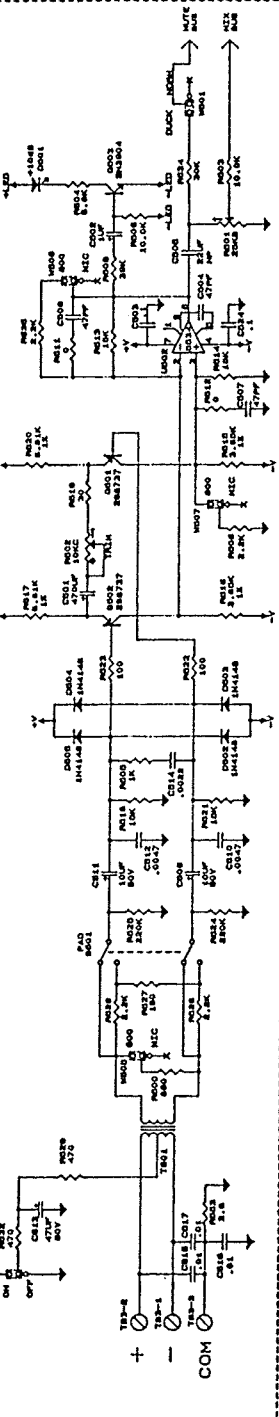
2. This schematic is for the Advantage GM/2 CH B/RIGHT Schematic. It is a detailed drawing of the internal wiring of the component. It shows the connections between the various components and the pins of the component. It is a technical drawing and should be used as a guide for the assembly and repair of the component.

INPUT CHANNELS 1-4 MIC/LINE

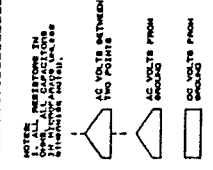
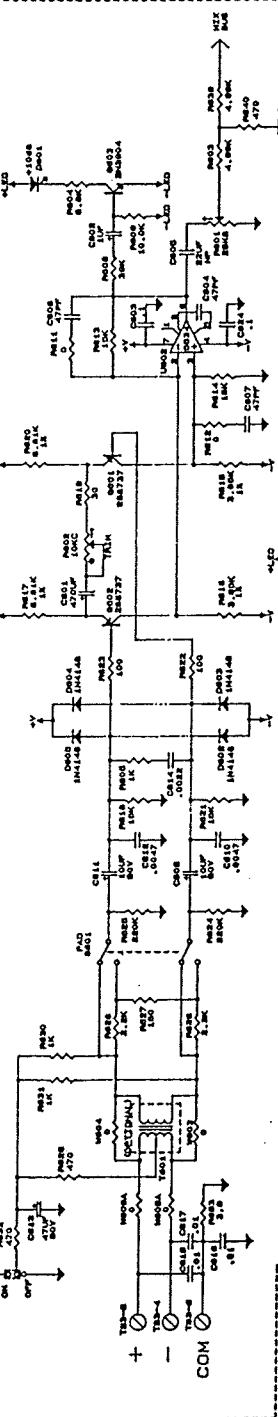
FOR 500 OHM INDUCTIVE CHANNEL



INPUT CHANNEL 5: 500 OHM OR MIC/LINE



INPUT CHANNEL 6: MIC/LINE



EXTERNAL MUTE

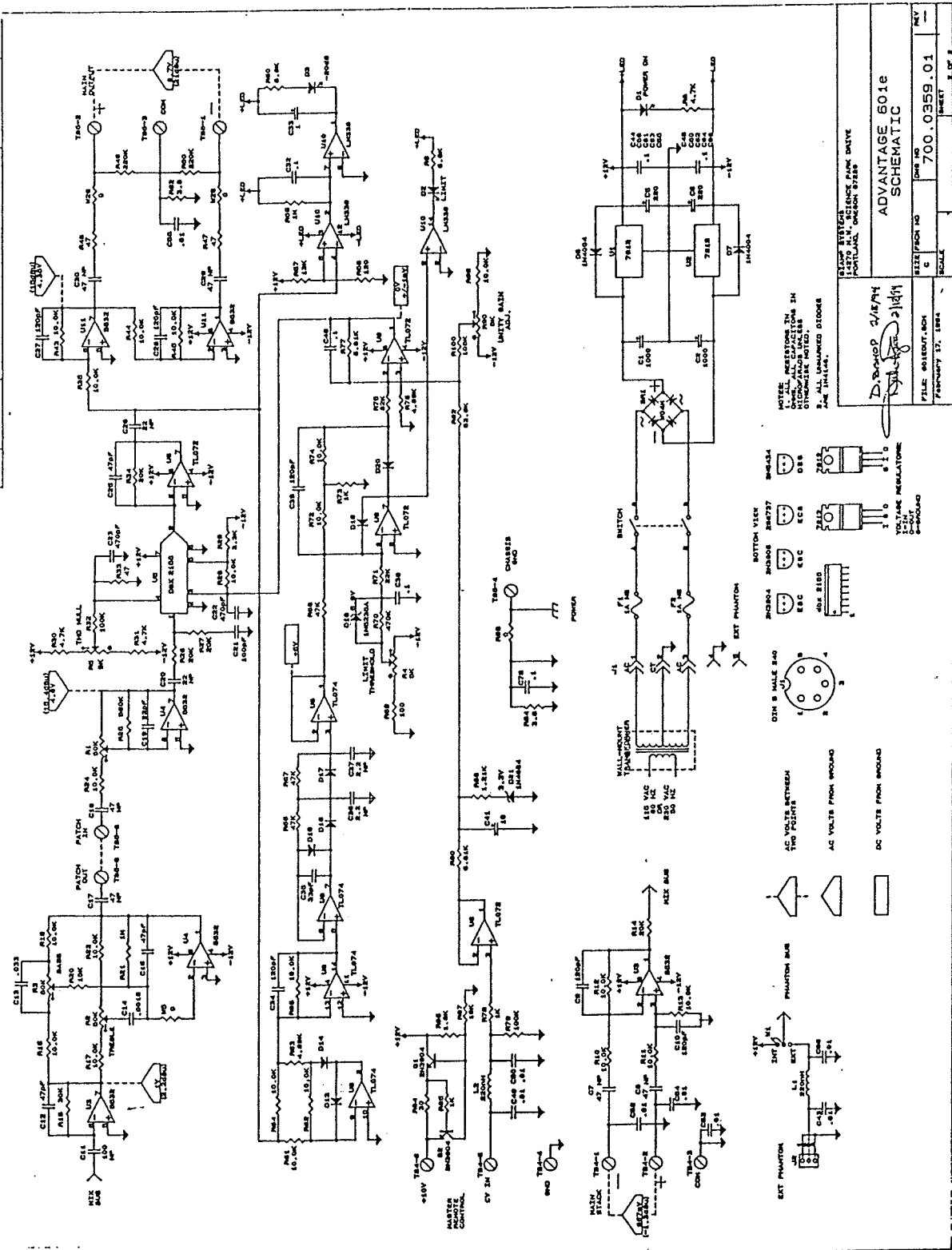
ADVANTAGE 6016
SCHEMATIC

DATE: 2/10/64
BY: [Signature]

FILE: 6016-001
SCALE: C

FORM NO. 700-0359-01
REV. 1

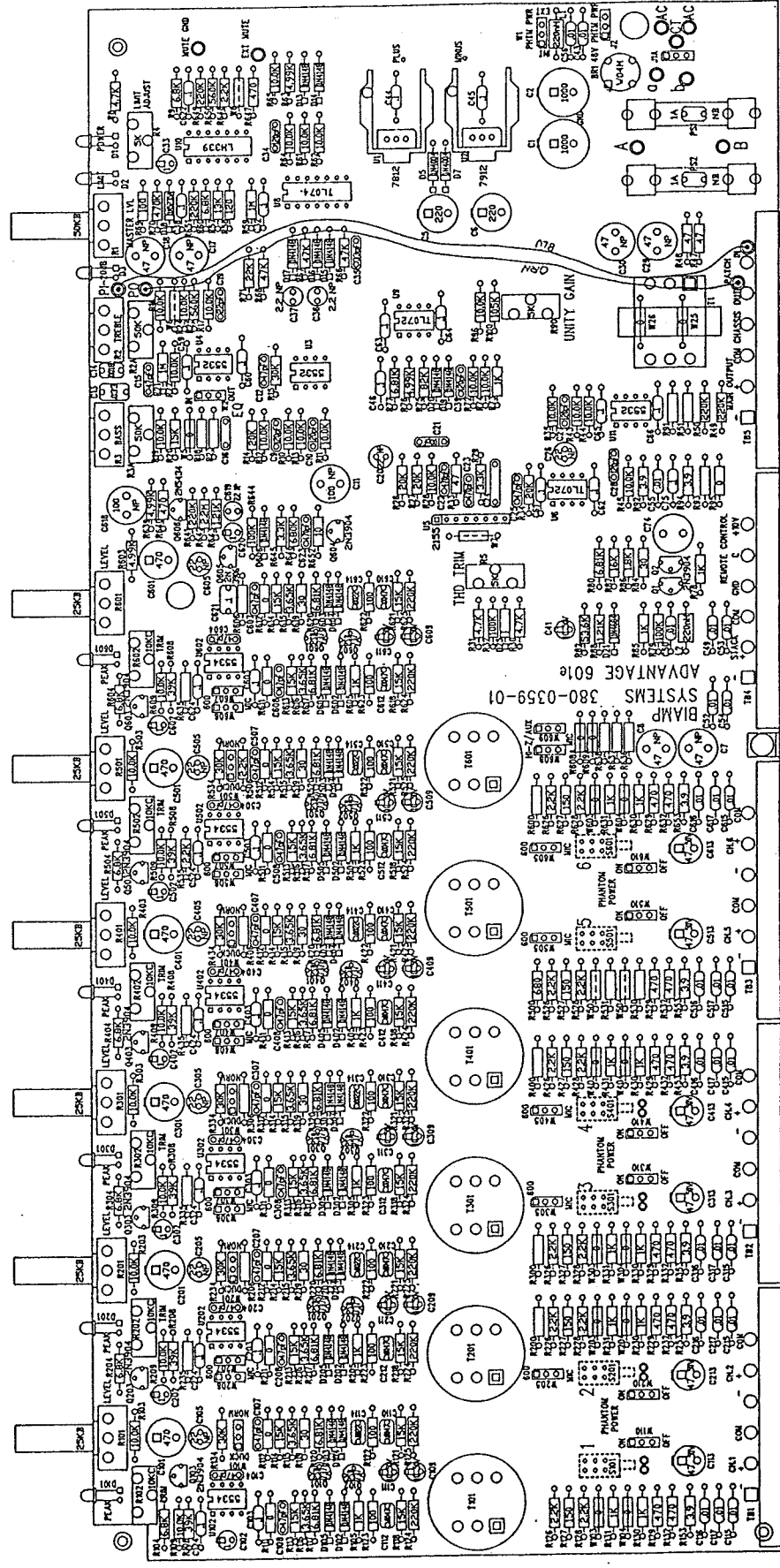
FEBRUARY 1964



NOTES: RESISTORS IN OHMS UNLESS OTHERWISE NOTED.
 2. ALL UNANNOUNCED DIODES ARE 1N4148.

7818V REGULATOR		7805V REGULATOR	
PORTLAND, OREGON 97288			
ADVANTAGE 601e			
SCHEMATIC			
DATE: 2/15/84	DESIGNED BY: [Signature]	FILE: 601OUT.SCH	REV: 1
SIZE: 8.5x11	DATE: FEBRUARY 15, 1984	SCALE: 1:1	SHEET: 1 OF 1

REV	DATE	DESCRIPTION	APPROVED
1		INITIAL RELEASE	



380-0359-01

BIAMP SYSTEMS
14270 N.W. Science Park Drive
Portland, Oregon 97229
(503) 644-7287

BIAMP SYSTEMS
ADVANTAGE 601e
COMPONENT LAYOUT

DATE: 3/15/74
 APPROVED: [Signature]
 CHECKED: [Signature]
 DRAWN: [Signature]
 PART NO: 701-0359-01

REV	DATE	DESCRIPTION	APPROVED
1		INITIAL RELEASE	

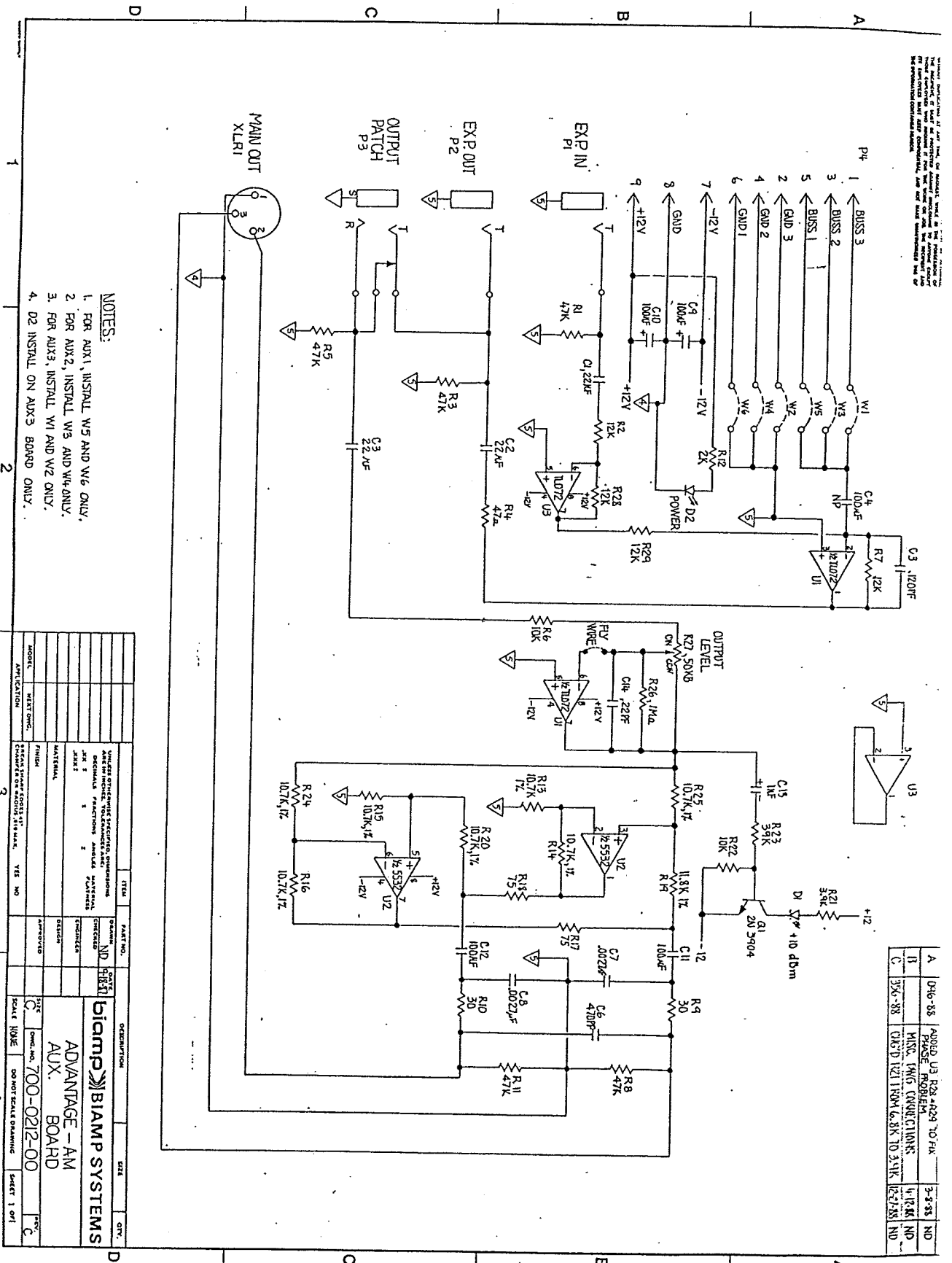
REV	DATE	DESCRIPTION	APPROVED
1		INITIAL RELEASE	

BIAMP SYSTEMS
14270 N.W. Science Park Drive
Portland, Oregon 97229
(503) 644-7287

REV	DATE	DESCRIPTION	APPROVED
1		INITIAL RELEASE	

DO NOT SCALE DRAWING

Unauthorized reproduction of any part, or assembly, thereof, is prohibited. This drawing is the property of Biamp Systems, Inc. and is to be used only for the purpose of manufacturing the product shown hereon.

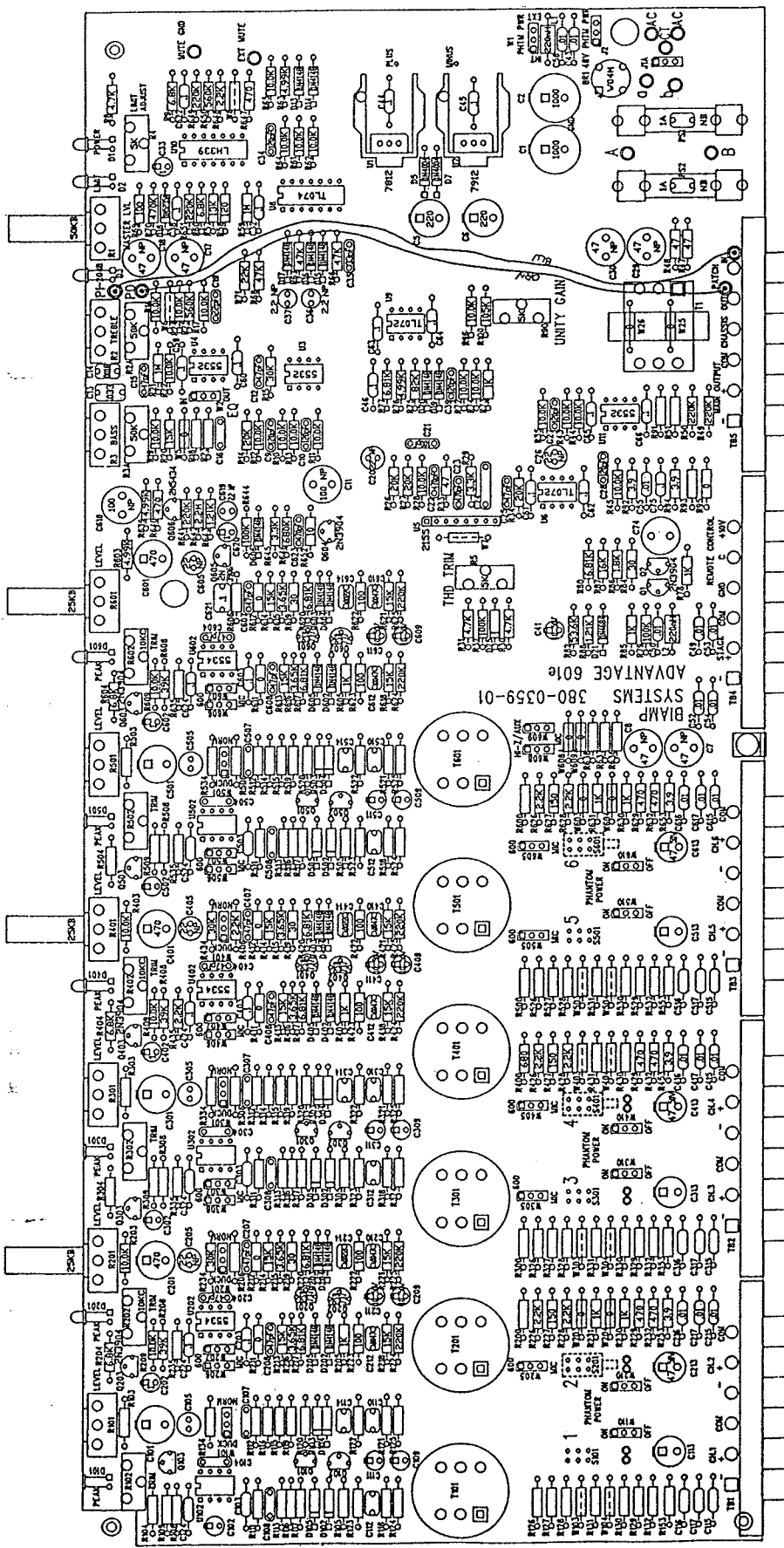


- NOTES:
1. FOR AUX1, INSTALL W5 AND W6 ONLY.
 2. FOR AUX2, INSTALL W3 AND W4 ONLY.
 3. FOR AUX3, INSTALL W1 AND W2 ONLY.
 4. D2 INSTALL ON AUX3 BOARD ONLY.

ITEM	PART NO.	DESCRIPTION	QTY	UNIT
1	ND	ADVANTAGE - AM BOARD	1	PCB
2	ND	AUX. BOARD	1	PCB
3	ND	BIAMP SYSTEMS	1	PCB
4	ND	BIAMP SYSTEMS	1	PCB

REV	DATE	DESCRIPTION	BY	CHKD
A	01-16-83	POWER SUPPLY	ND	ND
B	01-16-83	REVISION	ND	ND
C	01-16-83	REVISION	ND	ND

REV	DATE	DESCRIPTION	BY	APP'D
1		INITIAL RELEASE		



380-0359-01

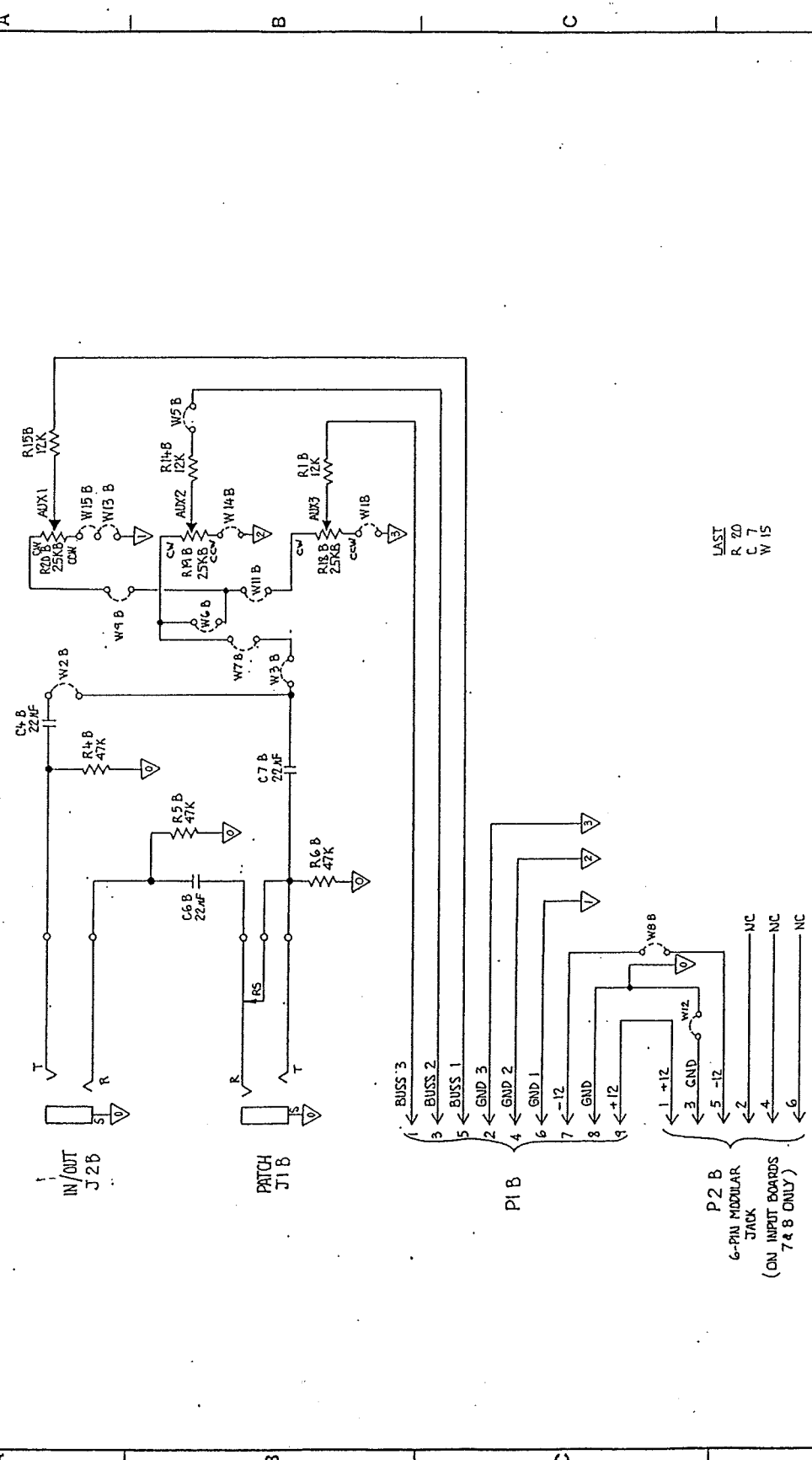
BIAMP SYSTEMS
 14270 N.W. Science Park Drive
 Portland, Oregon 97229
 (503) 641-7287

BIAMP SYSTEMS		DATE	REV
DESIGNED BY	3/1/77		
CHECKED BY			
APPROVED BY			
MATERIAL			
FINISH			
USED ON			
APPLICATOR			
DO NOT SCALE DRAWING			
PROJ. NO.	701-0443-00		
DATE			
REV	D		

**ADVANTAGE 301e
 COMPONENT LAYOUT**

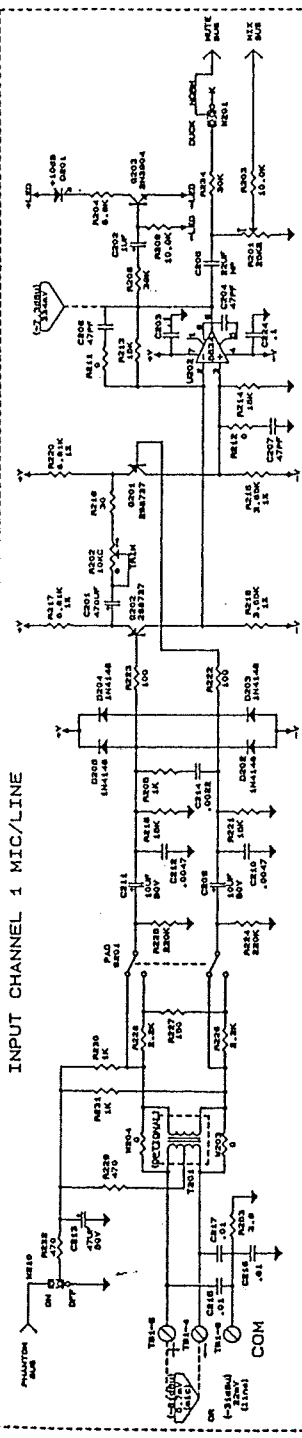
THIS DRAWING IS THE PROPERTY OF BIAMP SYSTEMS. IT IS TO BE USED ONLY FOR THE PROJECT AND QUANTITY SPECIFIED. IT IS NOT TO BE REPRODUCED, COPIED, OR DISTRIBUTED IN ANY MANNER WITHOUT THE WRITTEN PERMISSION OF BIAMP SYSTEMS.

THIS DRAWING IS THE PROPERTY OF BIAMP SYSTEMS, INC. AND SHOULD BE KEPT IN STRICTLY CONFIDENTIAL. IT IS TO BE USED ONLY FOR THE PURPOSES SPECIFIED. IT IS TO BE RETURNED TO BIAMP SYSTEMS, INC. IMMEDIATELY UPON COMPLETION OF THE PROJECT. IT IS NOT TO BE REPRODUCED OR TRANSMITTED IN ANY FORM OR BY ANY MEANS, ELECTRONIC OR MECHANICAL, INCLUDING PHOTOCOPYING, RECORDING, OR BY ANY INFORMATION STORAGE AND RETRIEVAL SYSTEM. THE DESIGN AND CONSTRUCTION OF THIS BOARD SHALL BE THE RESPONSIBILITY OF THE USER.

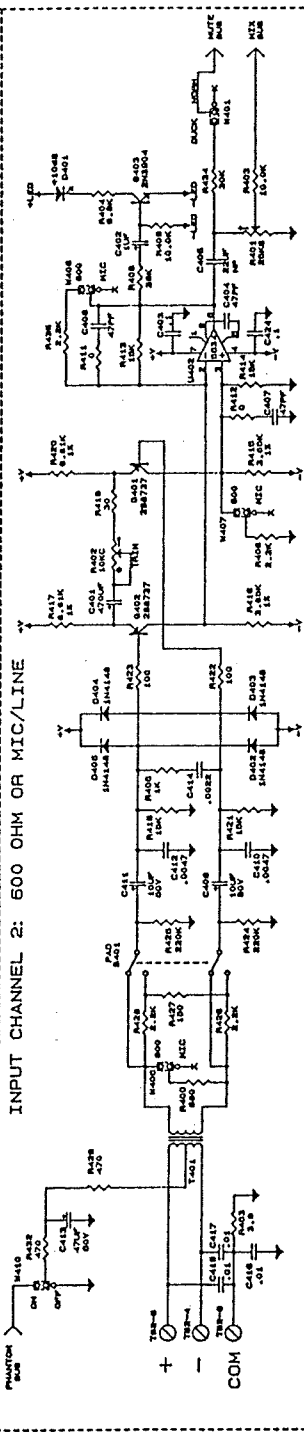


ITEM	PART NO.	DESCRIPTION	SIZE	QTY.
biamp BIAMP SYSTEMS INPUT BOARD ADVANTAGE AM				
UNLESS OTHERWISE SPECIFIED, DIMENSIONS ARE IN INCHES AND DECIMALS FRACTIONS ANGLES PLAINNESS CHECKED.				
APPROVED	DESIGN	CHECKED	DATE	
MATERIAL				
FINISH				
MODEL	NEXT DIM.	SCALE	SCALE	SCALE
APPLICATION				
CHECKED BY: W. J. ADAMS DATE: 5-8-69				
3				
4				
SHEET 1 OF 1				

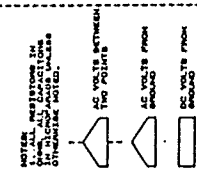
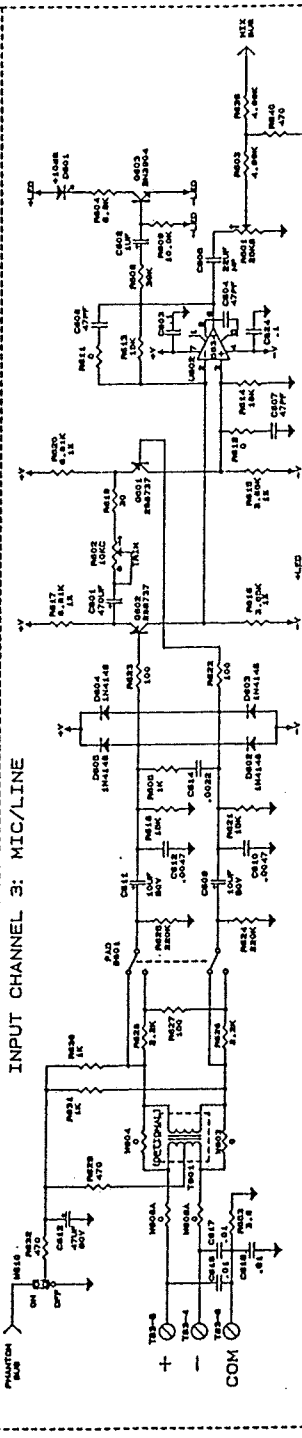
INPUT CHANNEL 1 MIC/LINE



INPUT CHANNEL 2: 500 OHM OR MIC/LINE



INPUT CHANNEL 3: MIC/LINE



NOTES: RESISTORS IN ALL CHANNELS ARE 1% TOLERANCE UNLESS OTHERWISE NOTED.

AC VOLTS BETWEEN THE POINTS

AC VOLTS FROM GROUND

DC VOLTS FROM GROUND

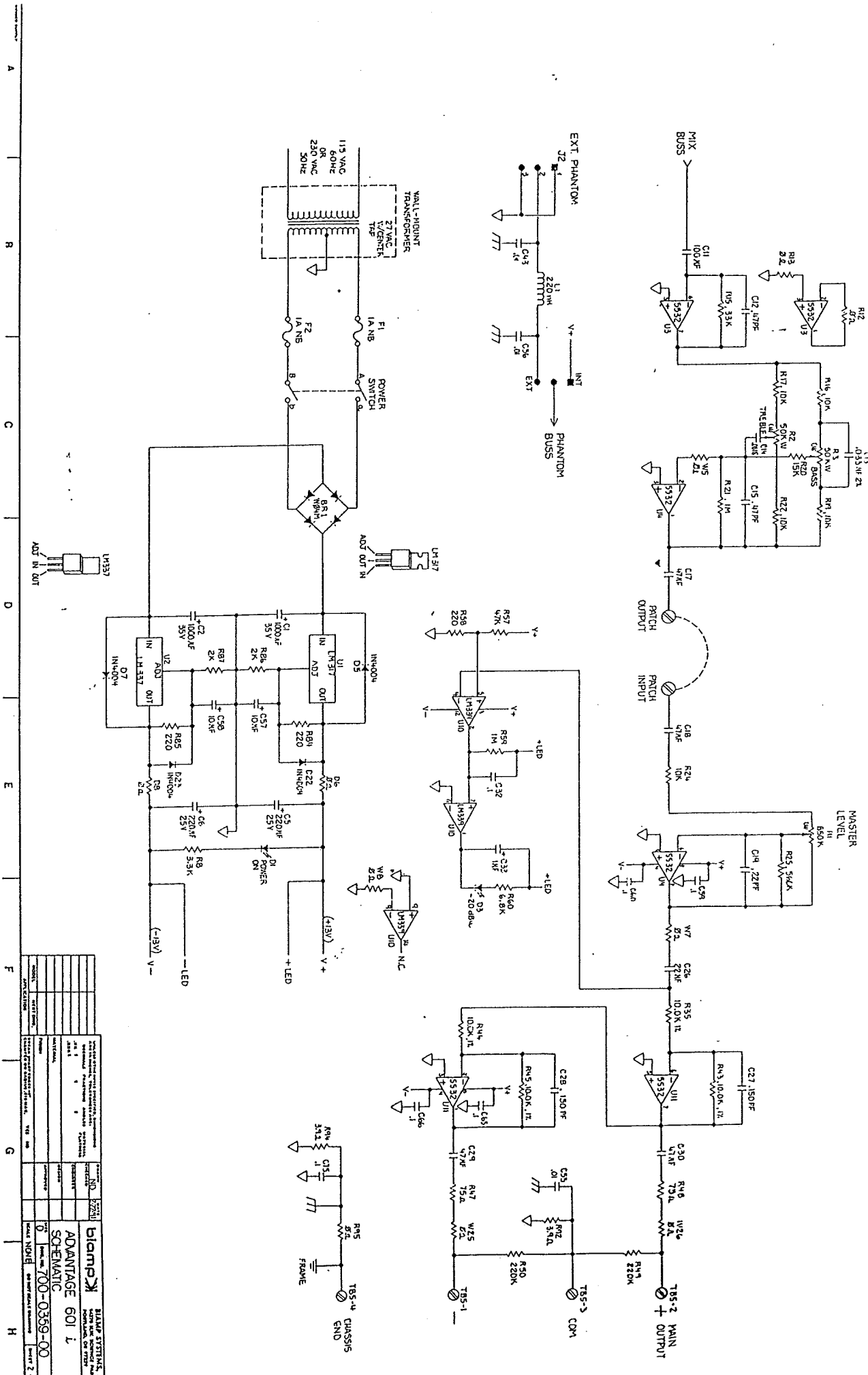
ADVANTAGE 301E SCHEMATIC

FILE 301E.HON

DATE 12/14/84

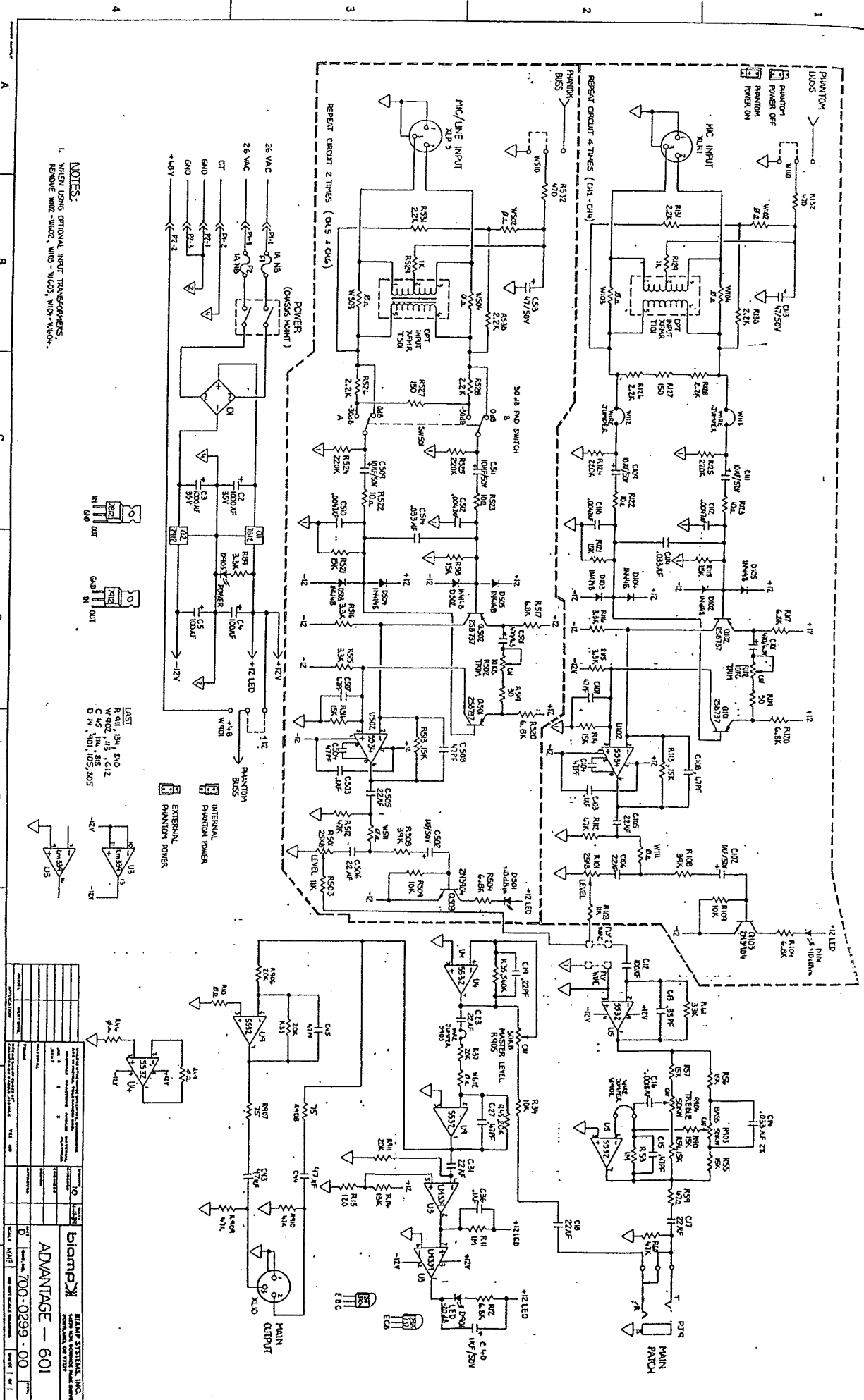
700-0443-00

Copyright © 1988 by Blaupunkt North America, Inc. All rights reserved. This document is the property of Blaupunkt North America, Inc. and is loaned to you for your use only. It is not to be distributed, copied, or reproduced in any form without the written permission of Blaupunkt North America, Inc.



Blaupunkt BLAUPUNKT SYSTEMS, INC. ADVANTAGE 601 L SCHEMATIC	
MODEL: ADVANTAGE 601 L PART NO: 700-0359-00 DATE: 1988	REVISION: 1 DATE: 1988 DRAWN BY: [blank] CHECKED BY: [blank]
MANUFACTURED BY: [blank] MADE IN: [blank]	PRINTED BY: [blank] PRINTED IN: [blank]

A B C D E F G H

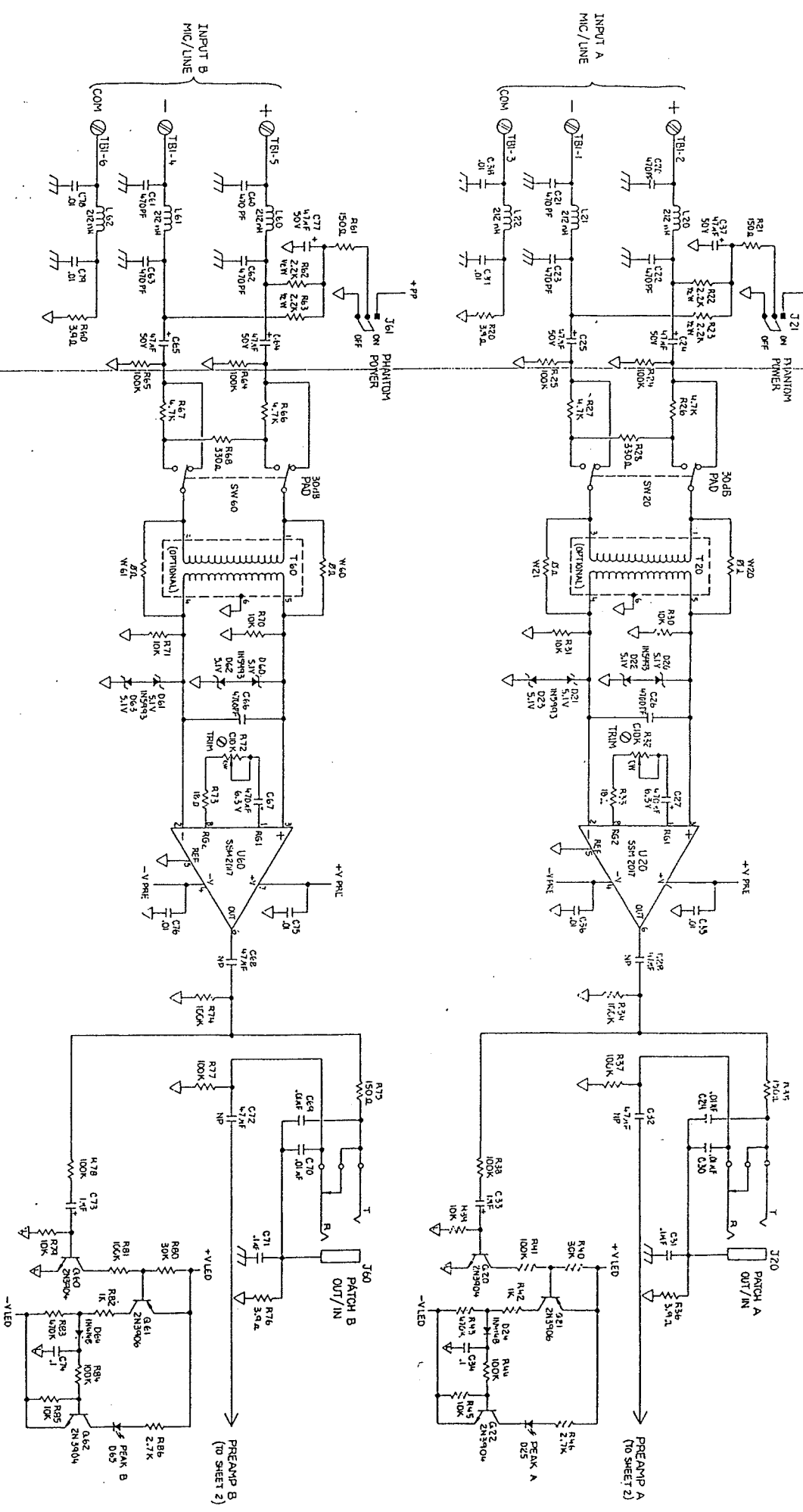


NOTES:
1. WHEN USING OPTIONAL INPUT TRANSFORMERS,
REMOVE WIND-1802Z, WIND-1802S, WIND-1802V,
WIND-1802W, WIND-1802X, WIND-1802Y,
WIND-1802Z, WIND-1802S, WIND-1802V,
WIND-1802W, WIND-1802X, WIND-1802Y,
WIND-1802Z.

- U1: 741
- U2: 741
- U3: 741
- U4: 741
- U5: 741
- U6: 555
- R1: 10K
- R2: 10K
- R3: 10K
- R4: 10K
- R5: 10K
- R6: 10K
- R7: 10K
- R8: 10K
- R9: 10K
- R10: 10K
- R11: 10K
- R12: 10K
- R13: 10K
- R14: 10K
- R15: 10K
- R16: 10K
- R17: 10K
- R18: 10K
- R19: 10K
- R20: 10K
- R21: 10K
- R22: 10K
- R23: 10K
- R24: 10K
- R25: 10K
- R26: 10K
- R27: 10K
- R28: 10K
- R29: 10K
- R30: 10K
- R31: 10K
- R32: 10K
- R33: 10K
- R34: 10K
- R35: 10K
- R36: 10K
- R37: 10K
- R38: 10K
- R39: 10K
- R40: 10K
- R41: 10K
- R42: 10K
- R43: 10K
- R44: 10K
- R45: 10K
- R46: 10K
- R47: 10K
- R48: 10K
- R49: 10K
- R50: 10K
- R51: 10K
- R52: 10K
- R53: 10K
- R54: 10K
- R55: 10K
- R56: 10K
- R57: 10K
- R58: 10K
- R59: 10K
- R60: 10K
- R61: 10K
- R62: 10K
- R63: 10K
- R64: 10K
- R65: 10K
- R66: 10K
- R67: 10K
- R68: 10K
- R69: 10K
- R70: 10K
- R71: 10K
- R72: 10K
- R73: 10K
- R74: 10K
- R75: 10K
- R76: 10K
- R77: 10K
- R78: 10K
- R79: 10K
- R80: 10K
- R81: 10K
- R82: 10K
- R83: 10K
- R84: 10K
- R85: 10K
- R86: 10K
- R87: 10K
- R88: 10K
- R89: 10K
- R90: 10K
- R91: 10K
- R92: 10K
- R93: 10K
- R94: 10K
- R95: 10K
- R96: 10K
- R97: 10K
- R98: 10K
- R99: 10K
- R100: 10K
- C1: 100nF
- C2: 100nF
- C3: 100nF
- C4: 100nF
- C5: 100nF
- C6: 100nF
- C7: 100nF
- C8: 100nF
- C9: 100nF
- C10: 100nF
- C11: 100nF
- C12: 100nF
- C13: 100nF
- C14: 100nF
- C15: 100nF
- C16: 100nF
- C17: 100nF
- C18: 100nF
- C19: 100nF
- C20: 100nF
- C21: 100nF
- C22: 100nF
- C23: 100nF
- C24: 100nF
- C25: 100nF
- C26: 100nF
- C27: 100nF
- C28: 100nF
- C29: 100nF
- C30: 100nF
- C31: 100nF
- C32: 100nF
- C33: 100nF
- C34: 100nF
- C35: 100nF
- C36: 100nF
- C37: 100nF
- C38: 100nF
- C39: 100nF
- C40: 100nF
- C41: 100nF
- C42: 100nF
- C43: 100nF
- C44: 100nF
- C45: 100nF
- C46: 100nF
- C47: 100nF
- C48: 100nF
- C49: 100nF
- C50: 100nF
- C51: 100nF
- C52: 100nF
- C53: 100nF
- C54: 100nF
- C55: 100nF
- C56: 100nF
- C57: 100nF
- C58: 100nF
- C59: 100nF
- C60: 100nF
- C61: 100nF
- C62: 100nF
- C63: 100nF
- C64: 100nF
- C65: 100nF
- C66: 100nF
- C67: 100nF
- C68: 100nF
- C69: 100nF
- C70: 100nF
- C71: 100nF
- C72: 100nF
- C73: 100nF
- C74: 100nF
- C75: 100nF
- C76: 100nF
- C77: 100nF
- C78: 100nF
- C79: 100nF
- C80: 100nF
- C81: 100nF
- C82: 100nF
- C83: 100nF
- C84: 100nF
- C85: 100nF
- C86: 100nF
- C87: 100nF
- C88: 100nF
- C89: 100nF
- C90: 100nF
- C91: 100nF
- C92: 100nF
- C93: 100nF
- C94: 100nF
- C95: 100nF
- C96: 100nF
- C97: 100nF
- C98: 100nF
- C99: 100nF
- C100: 100nF
- D1: 1N4148
- D2: 1N4148
- D3: 1N4148
- D4: 1N4148
- D5: 1N4148
- D6: 1N4148
- D7: 1N4148
- D8: 1N4148
- D9: 1N4148
- D10: 1N4148
- D11: 1N4148
- D12: 1N4148
- D13: 1N4148
- D14: 1N4148
- D15: 1N4148
- D16: 1N4148
- D17: 1N4148
- D18: 1N4148
- D19: 1N4148
- D20: 1N4148
- D21: 1N4148
- D22: 1N4148
- D23: 1N4148
- D24: 1N4148
- D25: 1N4148
- D26: 1N4148
- D27: 1N4148
- D28: 1N4148
- D29: 1N4148
- D30: 1N4148
- D31: 1N4148
- D32: 1N4148
- D33: 1N4148
- D34: 1N4148
- D35: 1N4148
- D36: 1N4148
- D37: 1N4148
- D38: 1N4148
- D39: 1N4148
- D40: 1N4148
- D41: 1N4148
- D42: 1N4148
- D43: 1N4148
- D44: 1N4148
- D45: 1N4148
- D46: 1N4148
- D47: 1N4148
- D48: 1N4148
- D49: 1N4148
- D50: 1N4148
- D51: 1N4148
- D52: 1N4148
- D53: 1N4148
- D54: 1N4148
- D55: 1N4148
- D56: 1N4148
- D57: 1N4148
- D58: 1N4148
- D59: 1N4148
- D60: 1N4148
- D61: 1N4148
- D62: 1N4148
- D63: 1N4148
- D64: 1N4148
- D65: 1N4148
- D66: 1N4148
- D67: 1N4148
- D68: 1N4148
- D69: 1N4148
- D70: 1N4148
- D71: 1N4148
- D72: 1N4148
- D73: 1N4148
- D74: 1N4148
- D75: 1N4148
- D76: 1N4148
- D77: 1N4148
- D78: 1N4148
- D79: 1N4148
- D80: 1N4148
- D81: 1N4148
- D82: 1N4148
- D83: 1N4148
- D84: 1N4148
- D85: 1N4148
- D86: 1N4148
- D87: 1N4148
- D88: 1N4148
- D89: 1N4148
- D90: 1N4148
- D91: 1N4148
- D92: 1N4148
- D93: 1N4148
- D94: 1N4148
- D95: 1N4148
- D96: 1N4148
- D97: 1N4148
- D98: 1N4148
- D99: 1N4148
- D100: 1N4148

QTY	DESCRIPTION	REF. DESIG.	MANUFACTURER
1	IC 741	U1	TI
1	IC 741	U2	TI
1	IC 741	U3	TI
1	IC 741	U4	TI
1	IC 741	U5	TI
1	IC 555	U6	TI
1	RESISTOR 10K	R1	RES
1	RESISTOR 10K	R2	RES
1	RESISTOR 10K	R3	RES
1	RESISTOR 10K	R4	RES
1	RESISTOR 10K	R5	RES
1	RESISTOR 10K	R6	RES
1	RESISTOR 10K	R7	RES
1	RESISTOR 10K	R8	RES
1	RESISTOR 10K	R9	RES
1	RESISTOR 10K	R10	RES
1	RESISTOR 10K	R11	RES
1	RESISTOR 10K	R12	RES
1	RESISTOR 10K	R13	RES
1	RESISTOR 10K	R14	RES
1	RESISTOR 10K	R15	RES
1	RESISTOR 10K	R16	RES
1	RESISTOR 10K	R17	RES
1	RESISTOR 10K	R18	RES
1	RESISTOR 10K	R19	RES
1	RESISTOR 10K	R20	RES
1	RESISTOR 10K	R21	RES
1	RESISTOR 10K	R22	RES
1	RESISTOR 10K	R23	RES
1	RESISTOR 10K	R24	RES
1	RESISTOR 10K	R25	RES
1	RESISTOR 10K	R26	RES
1	RESISTOR 10K	R27	RES
1	RESISTOR 10K	R28	RES
1	RESISTOR 10K	R29	RES
1	RESISTOR 10K	R30	RES
1	RESISTOR 10K	R31	RES
1	RESISTOR 10K	R32	RES
1	RESISTOR 10K	R33	RES
1	RESISTOR 10K	R34	RES
1	RESISTOR 10K	R35	RES
1	RESISTOR 10K	R36	RES
1	RESISTOR 10K	R37	RES
1	RESISTOR 10K	R38	RES
1	RESISTOR 10K	R39	RES
1	RESISTOR 10K	R40	RES
1	RESISTOR 10K	R41	RES
1	RESISTOR 10K	R42	RES
1	RESISTOR 10K	R43	RES
1	RESISTOR 10K	R44	RES
1	RESISTOR 10K	R45	RES
1	RESISTOR 10K	R46	RES
1	RESISTOR 10K	R47	RES
1	RESISTOR 10K	R48	RES
1	RESISTOR 10K	R49	RES
1	RESISTOR 10K	R50	RES
1	RESISTOR 10K	R51	RES
1	RESISTOR 10K	R52	RES
1	RESISTOR 10K	R53	RES
1	RESISTOR 10K	R54	RES
1	RESISTOR 10K	R55	RES
1	RESISTOR 10K	R56	RES
1	RESISTOR 10K	R57	RES
1	RESISTOR 10K	R58	RES
1	RESISTOR 10K	R59	RES
1	RESISTOR 10K	R60	RES
1	RESISTOR 10K	R61	RES
1	RESISTOR 10K	R62	RES
1	RESISTOR 10K	R63	RES
1	RESISTOR 10K	R64	RES
1	RESISTOR 10K	R65	RES
1	RESISTOR 10K	R66	RES
1	RESISTOR 10K	R67	RES
1	RESISTOR 10K	R68	RES
1	RESISTOR 10K	R69	RES
1	RESISTOR 10K	R70	RES
1	RESISTOR 10K	R71	RES
1	RESISTOR 10K	R72	RES
1	RESISTOR 10K	R73	RES
1	RESISTOR 10K	R74	RES
1	RESISTOR 10K	R75	RES
1	RESISTOR 10K	R76	RES
1	RESISTOR 10K	R77	RES
1	RESISTOR 10K	R78	RES
1	RESISTOR 10K	R79	RES
1	RESISTOR 10K	R80	RES
1	RESISTOR 10K	R81	RES
1	RESISTOR 10K	R82	RES
1	RESISTOR 10K	R83	RES
1	RESISTOR 10K	R84	RES
1	RESISTOR 10K	R85	RES
1	RESISTOR 10K	R86	RES
1	RESISTOR 10K	R87	RES
1	RESISTOR 10K	R88	RES
1	RESISTOR 10K	R89	RES
1	RESISTOR 10K	R90	RES
1	RESISTOR 10K	R91	RES
1	RESISTOR 10K	R92	RES
1	RESISTOR 10K	R93	RES
1	RESISTOR 10K	R94	RES
1	RESISTOR 10K	R95	RES
1	RESISTOR 10K	R96	RES
1	RESISTOR 10K	R97	RES
1	RESISTOR 10K	R98	RES
1	RESISTOR 10K	R99	RES
1	RESISTOR 10K	R100	RES
1	CAPACITOR 100nF	C1	RES
1	CAPACITOR 100nF	C2	RES
1	CAPACITOR 100nF	C3	RES
1	CAPACITOR 100nF	C4	RES
1	CAPACITOR 100nF	C5	RES
1	CAPACITOR 100nF	C6	RES
1	CAPACITOR 100nF	C7	RES
1	CAPACITOR 100nF	C8	RES
1	CAPACITOR 100nF	C9	RES
1	CAPACITOR 100nF	C10	RES
1	CAPACITOR 100nF	C11	RES
1	CAPACITOR 100nF	C12	RES
1	CAPACITOR 100nF	C13	RES
1	CAPACITOR 100nF	C14	RES
1	CAPACITOR 100nF	C15	RES
1	CAPACITOR 100nF	C16	RES
1	CAPACITOR 100nF	C17	RES
1	CAPACITOR 100nF	C18	RES
1	CAPACITOR 100nF	C19	RES
1	CAPACITOR 100nF	C20	RES
1	CAPACITOR 100nF	C21	RES
1	CAPACITOR 100nF	C22	RES
1	CAPACITOR 100nF	C23	RES
1	CAPACITOR 100nF	C24	RES
1	CAPACITOR 100nF	C25	RES
1	CAPACITOR 100nF	C26	RES
1	CAPACITOR 100nF	C27	RES
1	CAPACITOR 100nF	C28	RES
1	CAPACITOR 100nF	C29	RES
1	CAPACITOR 100nF	C30	RES
1	CAPACITOR 100nF	C31	RES
1	CAPACITOR 100nF	C32	RES
1	CAPACITOR 100nF	C33	RES
1	CAPACITOR 100nF	C34	RES
1	CAPACITOR 100nF	C35	RES
1	CAPACITOR 100nF	C36	RES
1	CAPACITOR 100nF	C37	RES
1	CAPACITOR 100nF	C38	RES
1	CAPACITOR 100nF	C39	RES
1	CAPACITOR 100nF	C40	RES
1	CAPACITOR 100nF	C41	RES
1	CAPACITOR 100nF	C42	RES
1	CAPACITOR 100nF	C43	RES
1	CAPACITOR 100nF	C44	RES
1	CAPACITOR 100nF	C45	RES
1	CAPACITOR 100nF	C46	RES
1	CAPACITOR 100nF	C47	RES
1	CAPACITOR 100nF	C48	RES
1	CAPACITOR 100nF	C49	RES
1	CAPACITOR 100nF	C50	RES
1	CAPACITOR 100nF	C51	RES
1	CAPACITOR 100nF	C52	RES
1	CAPACITOR 100nF	C53	RES
1	CAPACITOR 100nF	C54	RES
1	CAPACITOR 100nF	C55	RES
1	CAPACITOR 100nF	C56	RES
1	CAPACITOR 100nF	C57	RES
1	CAPACITOR 100nF	C58	RES
1	CAPACITOR 100nF	C59	RES
1	CAPACITOR 100nF	C60	RES
1	CAPACITOR 100nF	C61	RES
1	CAPACITOR 100nF	C62	RES
1	CAPACITOR 100nF	C63	RES
1	CAPACITOR 100nF	C64	RES
1	CAPACITOR 100nF	C65	RES
1	CAPACITOR 100nF	C66	

Blampkin Systems, Inc. 700-0413-00 Rev. A PCB Assembly Drawing
 This drawing is the property of Blampkin Systems, Inc. and is to be used only for the specific project and quantity indicated. It is not to be reproduced, stored in a retrieval system, or transmitted in any form or by any means, electronic, mechanical, photocopying, recording, or by any information storage and retrieval system, without the prior written permission of Blampkin Systems, Inc.

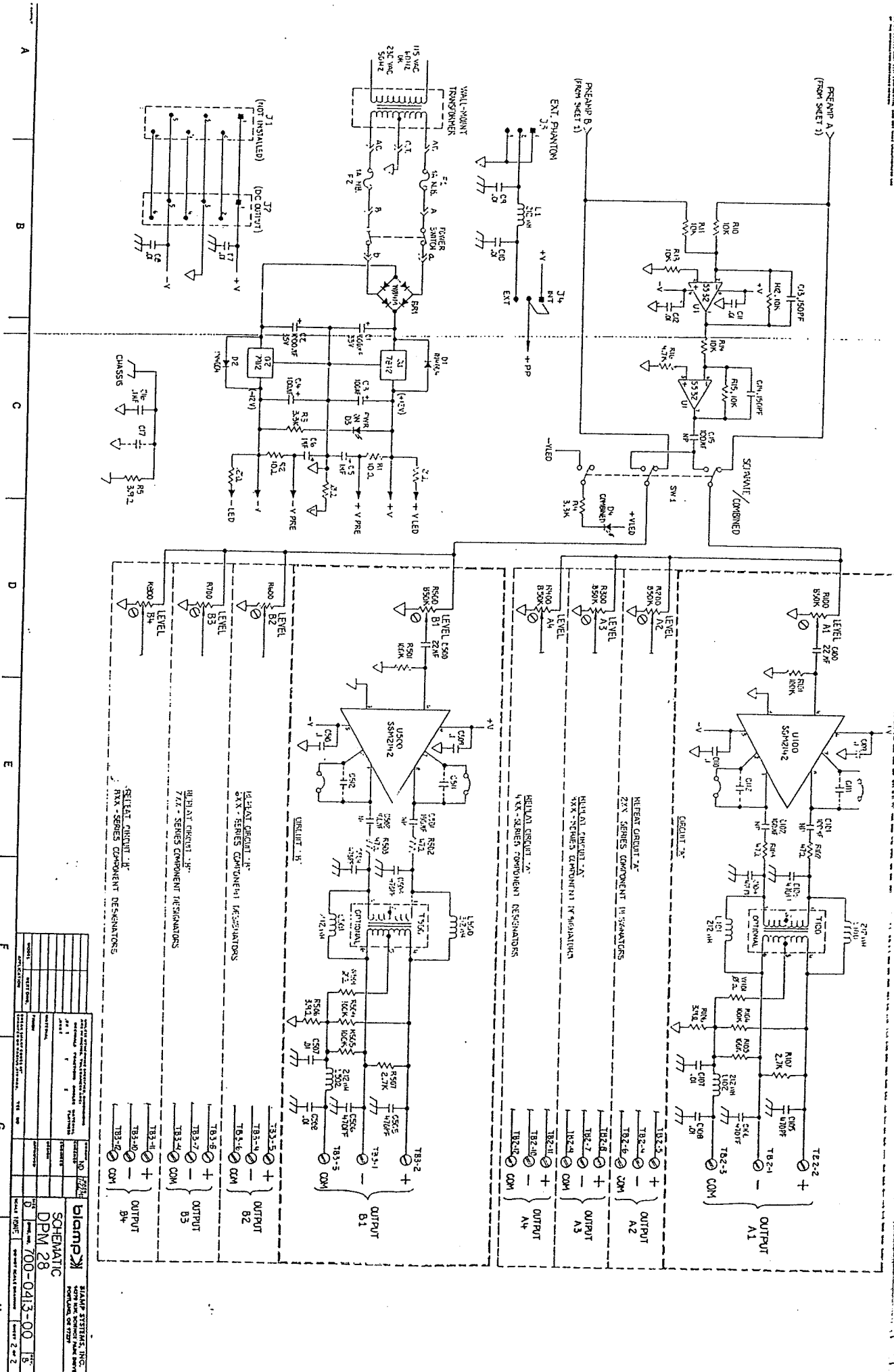


A B C D E F G H

DATE	REV	DESCRIPTION
01/15/00	1	ISSUED FOR PRODUCTION
01/15/00	2	REVISED TO ADD COMPONENTS
01/15/00	3	REVISED TO ADD COMPONENTS
01/15/00	4	REVISED TO ADD COMPONENTS
01/15/00	5	REVISED TO ADD COMPONENTS
01/15/00	6	REVISED TO ADD COMPONENTS
01/15/00	7	REVISED TO ADD COMPONENTS
01/15/00	8	REVISED TO ADD COMPONENTS
01/15/00	9	REVISED TO ADD COMPONENTS
01/15/00	10	REVISED TO ADD COMPONENTS
01/15/00	11	REVISED TO ADD COMPONENTS
01/15/00	12	REVISED TO ADD COMPONENTS
01/15/00	13	REVISED TO ADD COMPONENTS
01/15/00	14	REVISED TO ADD COMPONENTS
01/15/00	15	REVISED TO ADD COMPONENTS
01/15/00	16	REVISED TO ADD COMPONENTS
01/15/00	17	REVISED TO ADD COMPONENTS
01/15/00	18	REVISED TO ADD COMPONENTS
01/15/00	19	REVISED TO ADD COMPONENTS
01/15/00	20	REVISED TO ADD COMPONENTS
01/15/00	21	REVISED TO ADD COMPONENTS
01/15/00	22	REVISED TO ADD COMPONENTS
01/15/00	23	REVISED TO ADD COMPONENTS
01/15/00	24	REVISED TO ADD COMPONENTS
01/15/00	25	REVISED TO ADD COMPONENTS
01/15/00	26	REVISED TO ADD COMPONENTS
01/15/00	27	REVISED TO ADD COMPONENTS
01/15/00	28	REVISED TO ADD COMPONENTS
01/15/00	29	REVISED TO ADD COMPONENTS
01/15/00	30	REVISED TO ADD COMPONENTS
01/15/00	31	REVISED TO ADD COMPONENTS
01/15/00	32	REVISED TO ADD COMPONENTS
01/15/00	33	REVISED TO ADD COMPONENTS
01/15/00	34	REVISED TO ADD COMPONENTS
01/15/00	35	REVISED TO ADD COMPONENTS
01/15/00	36	REVISED TO ADD COMPONENTS
01/15/00	37	REVISED TO ADD COMPONENTS
01/15/00	38	REVISED TO ADD COMPONENTS
01/15/00	39	REVISED TO ADD COMPONENTS
01/15/00	40	REVISED TO ADD COMPONENTS
01/15/00	41	REVISED TO ADD COMPONENTS
01/15/00	42	REVISED TO ADD COMPONENTS
01/15/00	43	REVISED TO ADD COMPONENTS
01/15/00	44	REVISED TO ADD COMPONENTS
01/15/00	45	REVISED TO ADD COMPONENTS
01/15/00	46	REVISED TO ADD COMPONENTS
01/15/00	47	REVISED TO ADD COMPONENTS
01/15/00	48	REVISED TO ADD COMPONENTS
01/15/00	49	REVISED TO ADD COMPONENTS
01/15/00	50	REVISED TO ADD COMPONENTS

DATE	REV	DESCRIPTION
01/15/00	1	ISSUED FOR PRODUCTION
01/15/00	2	REVISED TO ADD COMPONENTS
01/15/00	3	REVISED TO ADD COMPONENTS
01/15/00	4	REVISED TO ADD COMPONENTS
01/15/00	5	REVISED TO ADD COMPONENTS
01/15/00	6	REVISED TO ADD COMPONENTS
01/15/00	7	REVISED TO ADD COMPONENTS
01/15/00	8	REVISED TO ADD COMPONENTS
01/15/00	9	REVISED TO ADD COMPONENTS
01/15/00	10	REVISED TO ADD COMPONENTS
01/15/00	11	REVISED TO ADD COMPONENTS
01/15/00	12	REVISED TO ADD COMPONENTS
01/15/00	13	REVISED TO ADD COMPONENTS
01/15/00	14	REVISED TO ADD COMPONENTS
01/15/00	15	REVISED TO ADD COMPONENTS
01/15/00	16	REVISED TO ADD COMPONENTS
01/15/00	17	REVISED TO ADD COMPONENTS
01/15/00	18	REVISED TO ADD COMPONENTS
01/15/00	19	REVISED TO ADD COMPONENTS
01/15/00	20	REVISED TO ADD COMPONENTS
01/15/00	21	REVISED TO ADD COMPONENTS
01/15/00	22	REVISED TO ADD COMPONENTS
01/15/00	23	REVISED TO ADD COMPONENTS
01/15/00	24	REVISED TO ADD COMPONENTS
01/15/00	25	REVISED TO ADD COMPONENTS
01/15/00	26	REVISED TO ADD COMPONENTS
01/15/00	27	REVISED TO ADD COMPONENTS
01/15/00	28	REVISED TO ADD COMPONENTS
01/15/00	29	REVISED TO ADD COMPONENTS
01/15/00	30	REVISED TO ADD COMPONENTS
01/15/00	31	REVISED TO ADD COMPONENTS
01/15/00	32	REVISED TO ADD COMPONENTS
01/15/00	33	REVISED TO ADD COMPONENTS
01/15/00	34	REVISED TO ADD COMPONENTS
01/15/00	35	REVISED TO ADD COMPONENTS
01/15/00	36	REVISED TO ADD COMPONENTS
01/15/00	37	REVISED TO ADD COMPONENTS
01/15/00	38	REVISED TO ADD COMPONENTS
01/15/00	39	REVISED TO ADD COMPONENTS
01/15/00	40	REVISED TO ADD COMPONENTS
01/15/00	41	REVISED TO ADD COMPONENTS
01/15/00	42	REVISED TO ADD COMPONENTS
01/15/00	43	REVISED TO ADD COMPONENTS
01/15/00	44	REVISED TO ADD COMPONENTS
01/15/00	45	REVISED TO ADD COMPONENTS
01/15/00	46	REVISED TO ADD COMPONENTS
01/15/00	47	REVISED TO ADD COMPONENTS
01/15/00	48	REVISED TO ADD COMPONENTS
01/15/00	49	REVISED TO ADD COMPONENTS
01/15/00	50	REVISED TO ADD COMPONENTS

THIS SCHEMATIC IS THE PROPERTY OF BIAMP SYSTEMS, INC. IT IS TO BE USED ONLY FOR THE PROJECT AND QUANTITY SPECIFIED ON THE ORDER. IT IS NOT TO BE REPRODUCED OR TRANSMITTED IN ANY FORM OR BY ANY MEANS, ELECTRONIC OR MECHANICAL, INCLUDING PHOTOCOPYING, RECORDING, OR BY ANY INFORMATION STORAGE AND RETRIEVAL SYSTEM. WITHOUT THE WRITTEN PERMISSION OF BIAMP SYSTEMS, INC.



NO.	DESCRIPTION	QTY.	REMARKS
1	U100	1	OP-AMP
2	U200	1	OP-AMP
3	U300	1	OP-AMP
4	U400	1	OP-AMP
5	RESISTORS	VARIOUS	VARIOUS
6	CAPACITORS	VARIOUS	VARIOUS
7	DIODES	VARIOUS	VARIOUS
8	TRANSFORMERS	VARIOUS	VARIOUS

BIAMP SYSTEMS, INC.
 1000 W. 10TH AVENUE, SUITE 100
 DENVER, CO 80202
 PHONE: 303-733-1111
 FAX: 303-733-1112
 WWW: WWW.BIAMP.COM

SCHEMATIC
DPW 28
 700-0413-00
 REV. 2-0-0