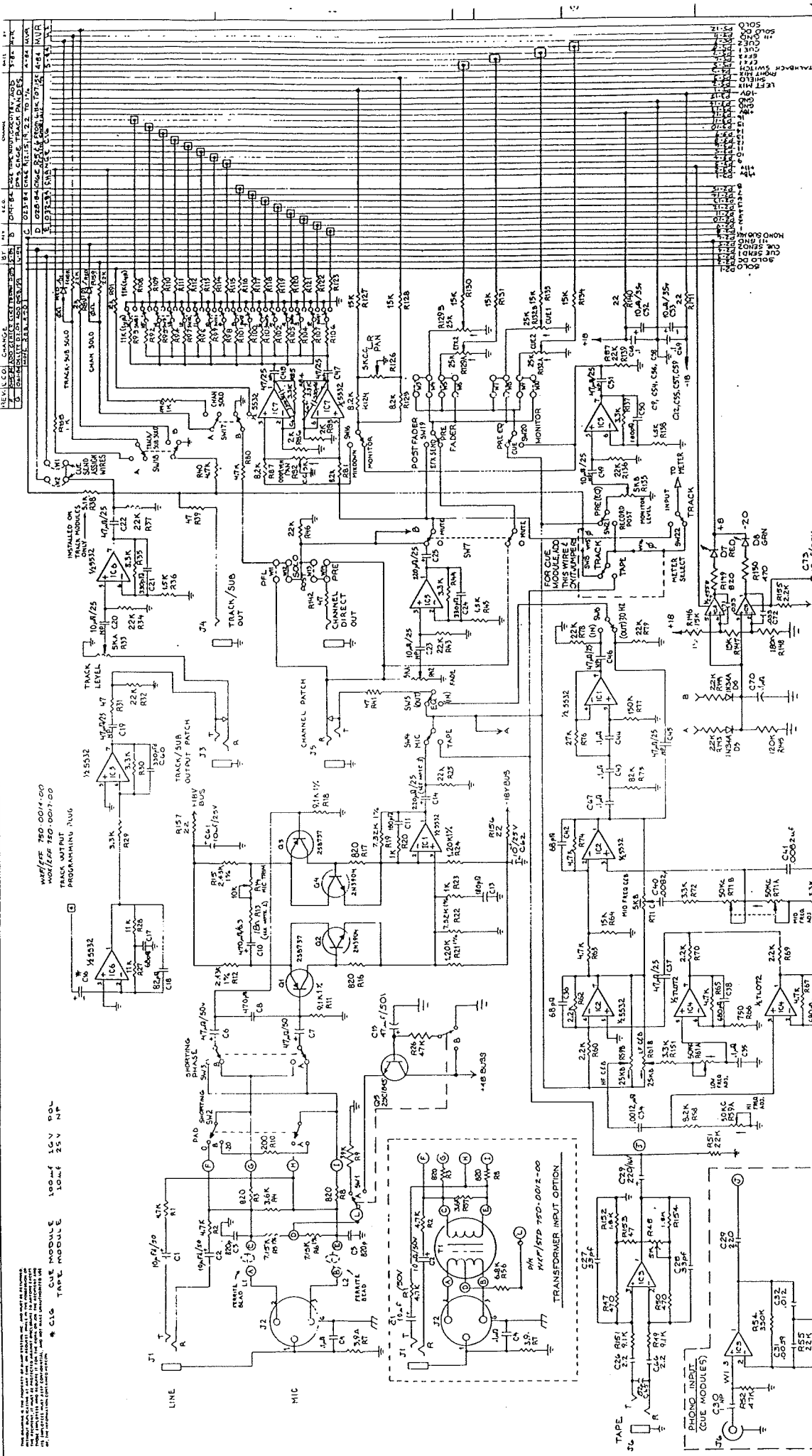


Bi-Mix

Schematic

B I A M P[®]

S Y S T E M S

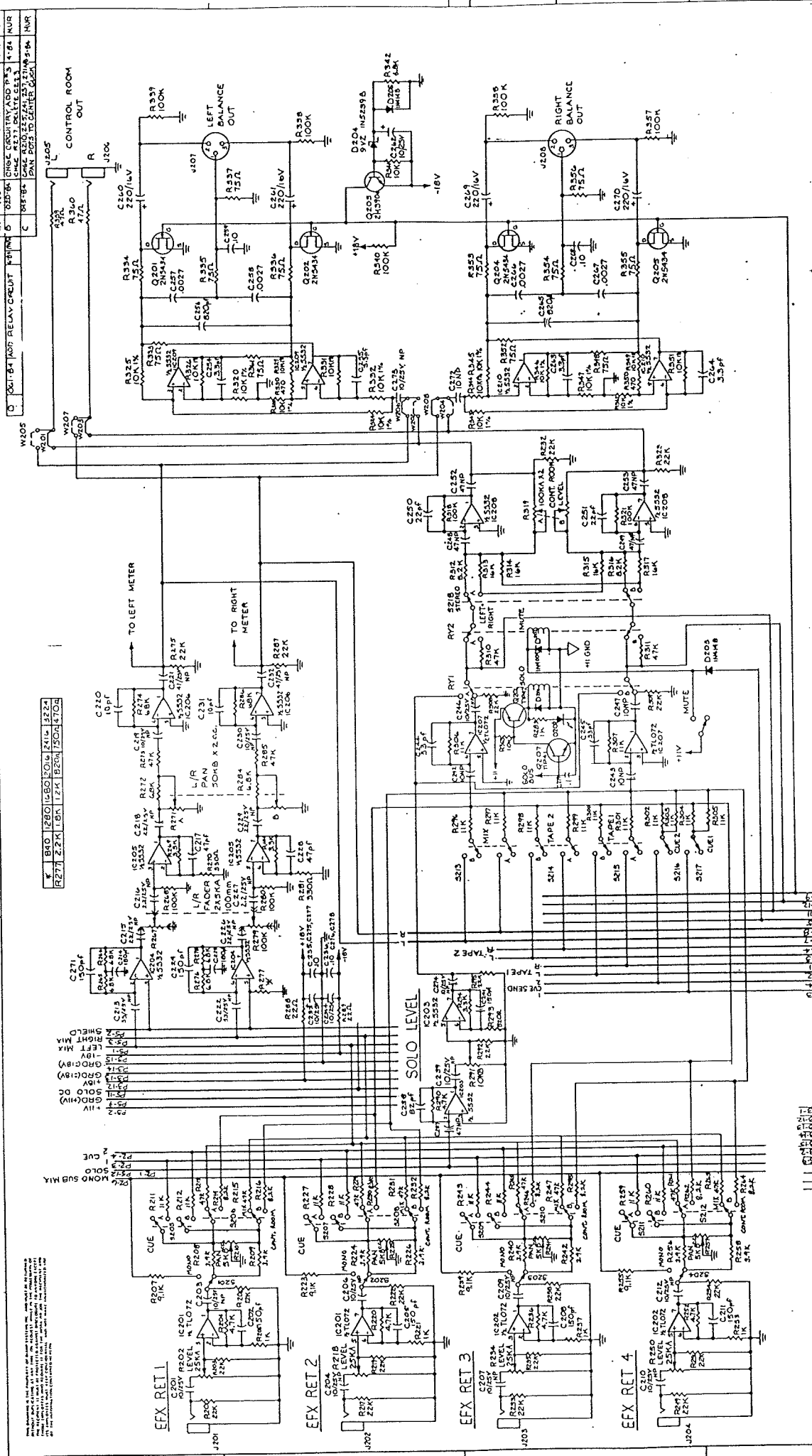


REV	DATE	DESCRIPTION	BY	CHK
1	10/15/70	INITIAL DESIGN		
2	11/10/70	REVISED FOR MANUFACTURE		
3	12/15/70	REVISED FOR MANUFACTURE		
4	01/15/71	REVISED FOR MANUFACTURE		
5	02/15/71	REVISED FOR MANUFACTURE		
6	03/15/71	REVISED FOR MANUFACTURE		
7	04/15/71	REVISED FOR MANUFACTURE		
8	05/15/71	REVISED FOR MANUFACTURE		
9	06/15/71	REVISED FOR MANUFACTURE		
10	07/15/71	REVISED FOR MANUFACTURE		
11	08/15/71	REVISED FOR MANUFACTURE		
12	09/15/71	REVISED FOR MANUFACTURE		
13	10/15/71	REVISED FOR MANUFACTURE		
14	11/15/71	REVISED FOR MANUFACTURE		
15	12/15/71	REVISED FOR MANUFACTURE		
16	01/15/72	REVISED FOR MANUFACTURE		
17	02/15/72	REVISED FOR MANUFACTURE		
18	03/15/72	REVISED FOR MANUFACTURE		
19	04/15/72	REVISED FOR MANUFACTURE		
20	05/15/72	REVISED FOR MANUFACTURE		
21	06/15/72	REVISED FOR MANUFACTURE		
22	07/15/72	REVISED FOR MANUFACTURE		
23	08/15/72	REVISED FOR MANUFACTURE		
24	09/15/72	REVISED FOR MANUFACTURE		
25	10/15/72	REVISED FOR MANUFACTURE		
26	11/15/72	REVISED FOR MANUFACTURE		
27	12/15/72	REVISED FOR MANUFACTURE		
28	01/15/73	REVISED FOR MANUFACTURE		
29	02/15/73	REVISED FOR MANUFACTURE		
30	03/15/73	REVISED FOR MANUFACTURE		
31	04/15/73	REVISED FOR MANUFACTURE		
32	05/15/73	REVISED FOR MANUFACTURE		
33	06/15/73	REVISED FOR MANUFACTURE		
34	07/15/73	REVISED FOR MANUFACTURE		
35	08/15/73	REVISED FOR MANUFACTURE		
36	09/15/73	REVISED FOR MANUFACTURE		
37	10/15/73	REVISED FOR MANUFACTURE		
38	11/15/73	REVISED FOR MANUFACTURE		
39	12/15/73	REVISED FOR MANUFACTURE		
40	01/15/74	REVISED FOR MANUFACTURE		
41	02/15/74	REVISED FOR MANUFACTURE		
42	03/15/74	REVISED FOR MANUFACTURE		
43	04/15/74	REVISED FOR MANUFACTURE		
44	05/15/74	REVISED FOR MANUFACTURE		
45	06/15/74	REVISED FOR MANUFACTURE		
46	07/15/74	REVISED FOR MANUFACTURE		
47	08/15/74	REVISED FOR MANUFACTURE		
48	09/15/74	REVISED FOR MANUFACTURE		
49	10/15/74	REVISED FOR MANUFACTURE		
50	11/15/74	REVISED FOR MANUFACTURE		
51	12/15/74	REVISED FOR MANUFACTURE		
52	01/15/75	REVISED FOR MANUFACTURE		
53	02/15/75	REVISED FOR MANUFACTURE		
54	03/15/75	REVISED FOR MANUFACTURE		
55	04/15/75	REVISED FOR MANUFACTURE		
56	05/15/75	REVISED FOR MANUFACTURE		
57	06/15/75	REVISED FOR MANUFACTURE		
58	07/15/75	REVISED FOR MANUFACTURE		
59	08/15/75	REVISED FOR MANUFACTURE		
60	09/15/75	REVISED FOR MANUFACTURE		
61	10/15/75	REVISED FOR MANUFACTURE		
62	11/15/75	REVISED FOR MANUFACTURE		
63	12/15/75	REVISED FOR MANUFACTURE		
64	01/15/76	REVISED FOR MANUFACTURE		
65	02/15/76	REVISED FOR MANUFACTURE		
66	03/15/76	REVISED FOR MANUFACTURE		
67	04/15/76	REVISED FOR MANUFACTURE		
68	05/15/76	REVISED FOR MANUFACTURE		
69	06/15/76	REVISED FOR MANUFACTURE		
70	07/15/76	REVISED FOR MANUFACTURE		
71	08/15/76	REVISED FOR MANUFACTURE		
72	09/15/76	REVISED FOR MANUFACTURE		
73	10/15/76	REVISED FOR MANUFACTURE		
74	11/15/76	REVISED FOR MANUFACTURE		
75	12/15/76	REVISED FOR MANUFACTURE		
76	01/15/77	REVISED FOR MANUFACTURE		
77	02/15/77	REVISED FOR MANUFACTURE		
78	03/15/77	REVISED FOR MANUFACTURE		
79	04/15/77	REVISED FOR MANUFACTURE		
80	05/15/77	REVISED FOR MANUFACTURE		
81	06/15/77	REVISED FOR MANUFACTURE		
82	07/15/77	REVISED FOR MANUFACTURE		
83	08/15/77	REVISED FOR MANUFACTURE		
84	09/15/77	REVISED FOR MANUFACTURE		
85	10/15/77	REVISED FOR MANUFACTURE		
86	11/15/77	REVISED FOR MANUFACTURE		
87	12/15/77	REVISED FOR MANUFACTURE		
88	01/15/78	REVISED FOR MANUFACTURE		
89	02/15/78	REVISED FOR MANUFACTURE		
90	03/15/78	REVISED FOR MANUFACTURE		
91	04/15/78	REVISED FOR MANUFACTURE		
92	05/15/78	REVISED FOR MANUFACTURE		
93	06/15/78	REVISED FOR MANUFACTURE		
94	07/15/78	REVISED FOR MANUFACTURE		
95	08/15/78	REVISED FOR MANUFACTURE		
96	09/15/78	REVISED FOR MANUFACTURE		
97	10/15/78	REVISED FOR MANUFACTURE		
98	11/15/78	REVISED FOR MANUFACTURE		
99	12/15/78	REVISED FOR MANUFACTURE		
100	01/15/79	REVISED FOR MANUFACTURE		

NOTES:
 1. ALL RESISTORS IN OHMS UNLESS OTHERWISE SPECIFIED.
 2. CHANGE R13 TO 120 OHMS WHEN USING XEAR SW1.
 3. QUALITY OF CH IS DETERMINED IN TEST.

LAST REVISIONS:
 R135F
 C73

BIAMP SYSTEMS INC.
 80 SERIES I/O MODULE
 SCHEMATIC

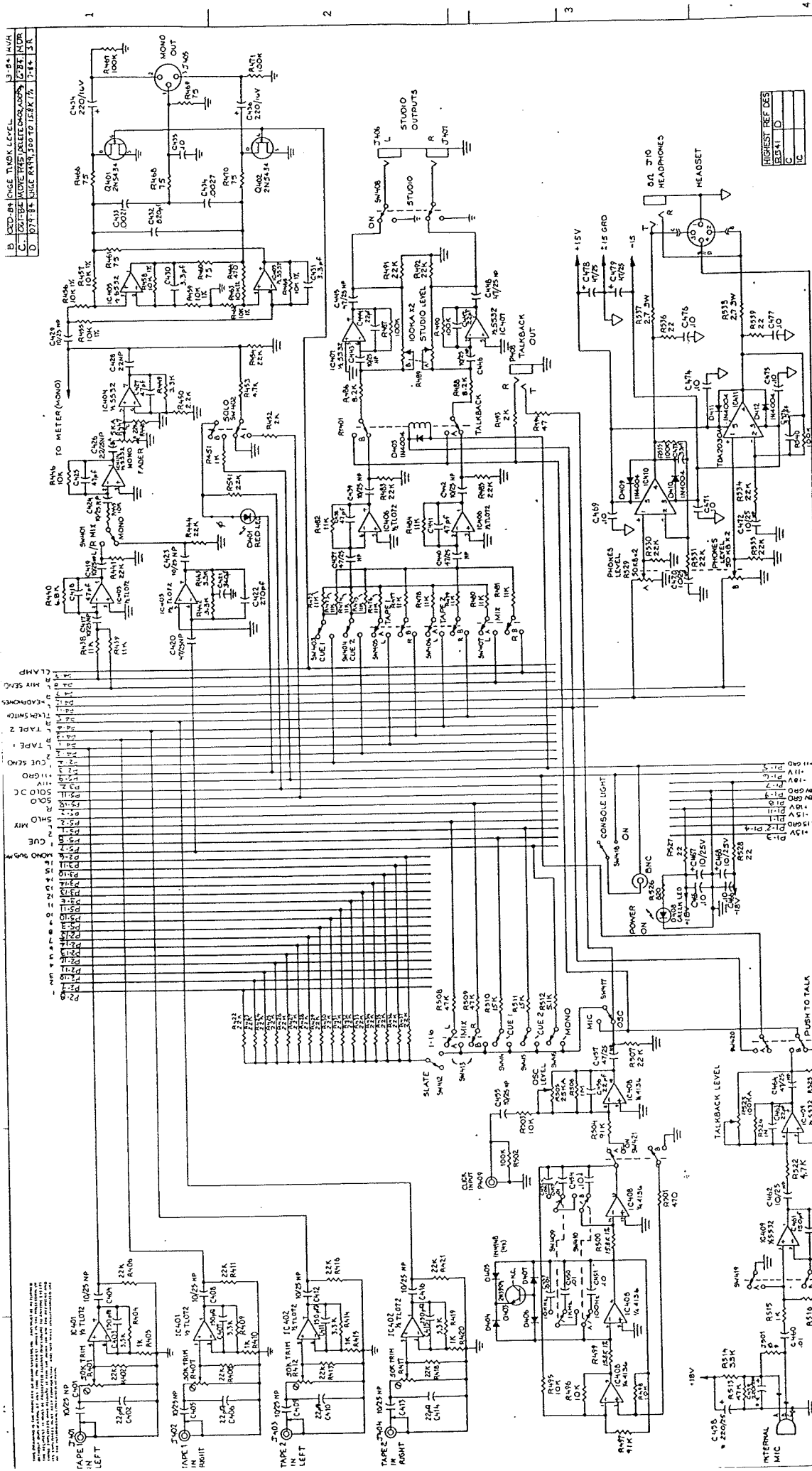


REV	DATE	DESCRIPTION	BY	CHK
1				
2				
3				
4				
5				
6				
7				
8				
9				
10				

NOTE:
 1. ALL CAPACITORS IN MICROFARADS UNLESS OTHERWISE SPECIFIED.
 2. ALL SWITCHES SHOWN IN OUT POSITION.

HIGHEST REF. DES.	REF.	VALUE	UNIT
R334	IC20	100K	Ω
C270	D207	100K	Ω
D207	D207	100K	Ω

REF.	DESCRIPTION	UNIT
1	118V	V
2	11V	V
3	18V	V
4	100K	Ω
5	10K	Ω
6	1K	Ω
7	100K	Ω
8	10K	Ω
9	1K	Ω
10	100K	Ω
11	10K	Ω
12	1K	Ω
13	100K	Ω
14	10K	Ω
15	1K	Ω
16	100K	Ω
17	10K	Ω
18	1K	Ω
19	100K	Ω
20	10K	Ω
21	1K	Ω
22	100K	Ω
23	10K	Ω
24	1K	Ω
25	100K	Ω
26	10K	Ω
27	1K	Ω
28	100K	Ω
29	10K	Ω
30	1K	Ω
31	100K	Ω
32	10K	Ω
33	1K	Ω
34	100K	Ω
35	10K	Ω
36	1K	Ω
37	100K	Ω
38	10K	Ω
39	1K	Ω
40	100K	Ω
41	10K	Ω
42	1K	Ω
43	100K	Ω
44	10K	Ω
45	1K	Ω
46	100K	Ω
47	10K	Ω
48	1K	Ω
49	100K	Ω
50	10K	Ω
51	1K	Ω
52	100K	Ω
53	10K	Ω
54	1K	Ω
55	100K	Ω
56	10K	Ω
57	1K	Ω
58	100K	Ω
59	10K	Ω
60	1K	Ω
61	100K	Ω
62	10K	Ω
63	1K	Ω
64	100K	Ω
65	10K	Ω
66	1K	Ω
67	100K	Ω
68	10K	Ω
69	1K	Ω
70	100K	Ω
71	10K	Ω
72	1K	Ω
73	100K	Ω
74	10K	Ω
75	1K	Ω
76	100K	Ω
77	10K	Ω
78	1K	Ω
79	100K	Ω
80	10K	Ω
81	1K	Ω
82	100K	Ω
83	10K	Ω
84	1K	Ω
85	100K	Ω
86	10K	Ω
87	1K	Ω
88	100K	Ω
89	10K	Ω
90	1K	Ω
91	100K	Ω
92	10K	Ω
93	1K	Ω
94	100K	Ω
95	10K	Ω
96	1K	Ω
97	100K	Ω
98	10K	Ω
99	1K	Ω
100	100K	Ω



- A. 1000µF 50V ELECTROLYTIC CAPACITOR
- B. 100K 1/4W 5% TOLERANCE RESISTOR
- C. 10K 1/4W 5% TOLERANCE RESISTOR
- D. 10K 1/4W 5% TOLERANCE RESISTOR

- 1. 100K 1/4W 5% TOLERANCE RESISTOR
- 2. 10K 1/4W 5% TOLERANCE RESISTOR
- 3. 10K 1/4W 5% TOLERANCE RESISTOR
- 4. 10K 1/4W 5% TOLERANCE RESISTOR
- 5. 10K 1/4W 5% TOLERANCE RESISTOR
- 6. 10K 1/4W 5% TOLERANCE RESISTOR
- 7. 10K 1/4W 5% TOLERANCE RESISTOR
- 8. 10K 1/4W 5% TOLERANCE RESISTOR
- 9. 10K 1/4W 5% TOLERANCE RESISTOR
- 10. 10K 1/4W 5% TOLERANCE RESISTOR
- 11. 10K 1/4W 5% TOLERANCE RESISTOR
- 12. 10K 1/4W 5% TOLERANCE RESISTOR
- 13. 10K 1/4W 5% TOLERANCE RESISTOR
- 14. 10K 1/4W 5% TOLERANCE RESISTOR
- 15. 10K 1/4W 5% TOLERANCE RESISTOR
- 16. 10K 1/4W 5% TOLERANCE RESISTOR
- 17. 10K 1/4W 5% TOLERANCE RESISTOR
- 18. 10K 1/4W 5% TOLERANCE RESISTOR
- 19. 10K 1/4W 5% TOLERANCE RESISTOR
- 20. 10K 1/4W 5% TOLERANCE RESISTOR
- 21. 10K 1/4W 5% TOLERANCE RESISTOR
- 22. 10K 1/4W 5% TOLERANCE RESISTOR
- 23. 10K 1/4W 5% TOLERANCE RESISTOR
- 24. 10K 1/4W 5% TOLERANCE RESISTOR
- 25. 10K 1/4W 5% TOLERANCE RESISTOR
- 26. 10K 1/4W 5% TOLERANCE RESISTOR
- 27. 10K 1/4W 5% TOLERANCE RESISTOR
- 28. 10K 1/4W 5% TOLERANCE RESISTOR
- 29. 10K 1/4W 5% TOLERANCE RESISTOR
- 30. 10K 1/4W 5% TOLERANCE RESISTOR
- 31. 10K 1/4W 5% TOLERANCE RESISTOR
- 32. 10K 1/4W 5% TOLERANCE RESISTOR
- 33. 10K 1/4W 5% TOLERANCE RESISTOR
- 34. 10K 1/4W 5% TOLERANCE RESISTOR
- 35. 10K 1/4W 5% TOLERANCE RESISTOR
- 36. 10K 1/4W 5% TOLERANCE RESISTOR
- 37. 10K 1/4W 5% TOLERANCE RESISTOR
- 38. 10K 1/4W 5% TOLERANCE RESISTOR
- 39. 10K 1/4W 5% TOLERANCE RESISTOR
- 40. 10K 1/4W 5% TOLERANCE RESISTOR
- 41. 10K 1/4W 5% TOLERANCE RESISTOR
- 42. 10K 1/4W 5% TOLERANCE RESISTOR
- 43. 10K 1/4W 5% TOLERANCE RESISTOR
- 44. 10K 1/4W 5% TOLERANCE RESISTOR
- 45. 10K 1/4W 5% TOLERANCE RESISTOR
- 46. 10K 1/4W 5% TOLERANCE RESISTOR
- 47. 10K 1/4W 5% TOLERANCE RESISTOR
- 48. 10K 1/4W 5% TOLERANCE RESISTOR
- 49. 10K 1/4W 5% TOLERANCE RESISTOR
- 50. 10K 1/4W 5% TOLERANCE RESISTOR
- 51. 10K 1/4W 5% TOLERANCE RESISTOR
- 52. 10K 1/4W 5% TOLERANCE RESISTOR
- 53. 10K 1/4W 5% TOLERANCE RESISTOR
- 54. 10K 1/4W 5% TOLERANCE RESISTOR
- 55. 10K 1/4W 5% TOLERANCE RESISTOR
- 56. 10K 1/4W 5% TOLERANCE RESISTOR
- 57. 10K 1/4W 5% TOLERANCE RESISTOR
- 58. 10K 1/4W 5% TOLERANCE RESISTOR
- 59. 10K 1/4W 5% TOLERANCE RESISTOR
- 60. 10K 1/4W 5% TOLERANCE RESISTOR
- 61. 10K 1/4W 5% TOLERANCE RESISTOR
- 62. 10K 1/4W 5% TOLERANCE RESISTOR
- 63. 10K 1/4W 5% TOLERANCE RESISTOR
- 64. 10K 1/4W 5% TOLERANCE RESISTOR
- 65. 10K 1/4W 5% TOLERANCE RESISTOR
- 66. 10K 1/4W 5% TOLERANCE RESISTOR
- 67. 10K 1/4W 5% TOLERANCE RESISTOR
- 68. 10K 1/4W 5% TOLERANCE RESISTOR
- 69. 10K 1/4W 5% TOLERANCE RESISTOR
- 70. 10K 1/4W 5% TOLERANCE RESISTOR
- 71. 10K 1/4W 5% TOLERANCE RESISTOR
- 72. 10K 1/4W 5% TOLERANCE RESISTOR
- 73. 10K 1/4W 5% TOLERANCE RESISTOR
- 74. 10K 1/4W 5% TOLERANCE RESISTOR
- 75. 10K 1/4W 5% TOLERANCE RESISTOR
- 76. 10K 1/4W 5% TOLERANCE RESISTOR
- 77. 10K 1/4W 5% TOLERANCE RESISTOR
- 78. 10K 1/4W 5% TOLERANCE RESISTOR
- 79. 10K 1/4W 5% TOLERANCE RESISTOR
- 80. 10K 1/4W 5% TOLERANCE RESISTOR
- 81. 10K 1/4W 5% TOLERANCE RESISTOR
- 82. 10K 1/4W 5% TOLERANCE RESISTOR
- 83. 10K 1/4W 5% TOLERANCE RESISTOR
- 84. 10K 1/4W 5% TOLERANCE RESISTOR
- 85. 10K 1/4W 5% TOLERANCE RESISTOR
- 86. 10K 1/4W 5% TOLERANCE RESISTOR
- 87. 10K 1/4W 5% TOLERANCE RESISTOR
- 88. 10K 1/4W 5% TOLERANCE RESISTOR
- 89. 10K 1/4W 5% TOLERANCE RESISTOR
- 90. 10K 1/4W 5% TOLERANCE RESISTOR
- 91. 10K 1/4W 5% TOLERANCE RESISTOR
- 92. 10K 1/4W 5% TOLERANCE RESISTOR
- 93. 10K 1/4W 5% TOLERANCE RESISTOR
- 94. 10K 1/4W 5% TOLERANCE RESISTOR
- 95. 10K 1/4W 5% TOLERANCE RESISTOR
- 96. 10K 1/4W 5% TOLERANCE RESISTOR
- 97. 10K 1/4W 5% TOLERANCE RESISTOR
- 98. 10K 1/4W 5% TOLERANCE RESISTOR
- 99. 10K 1/4W 5% TOLERANCE RESISTOR
- 100. 10K 1/4W 5% TOLERANCE RESISTOR

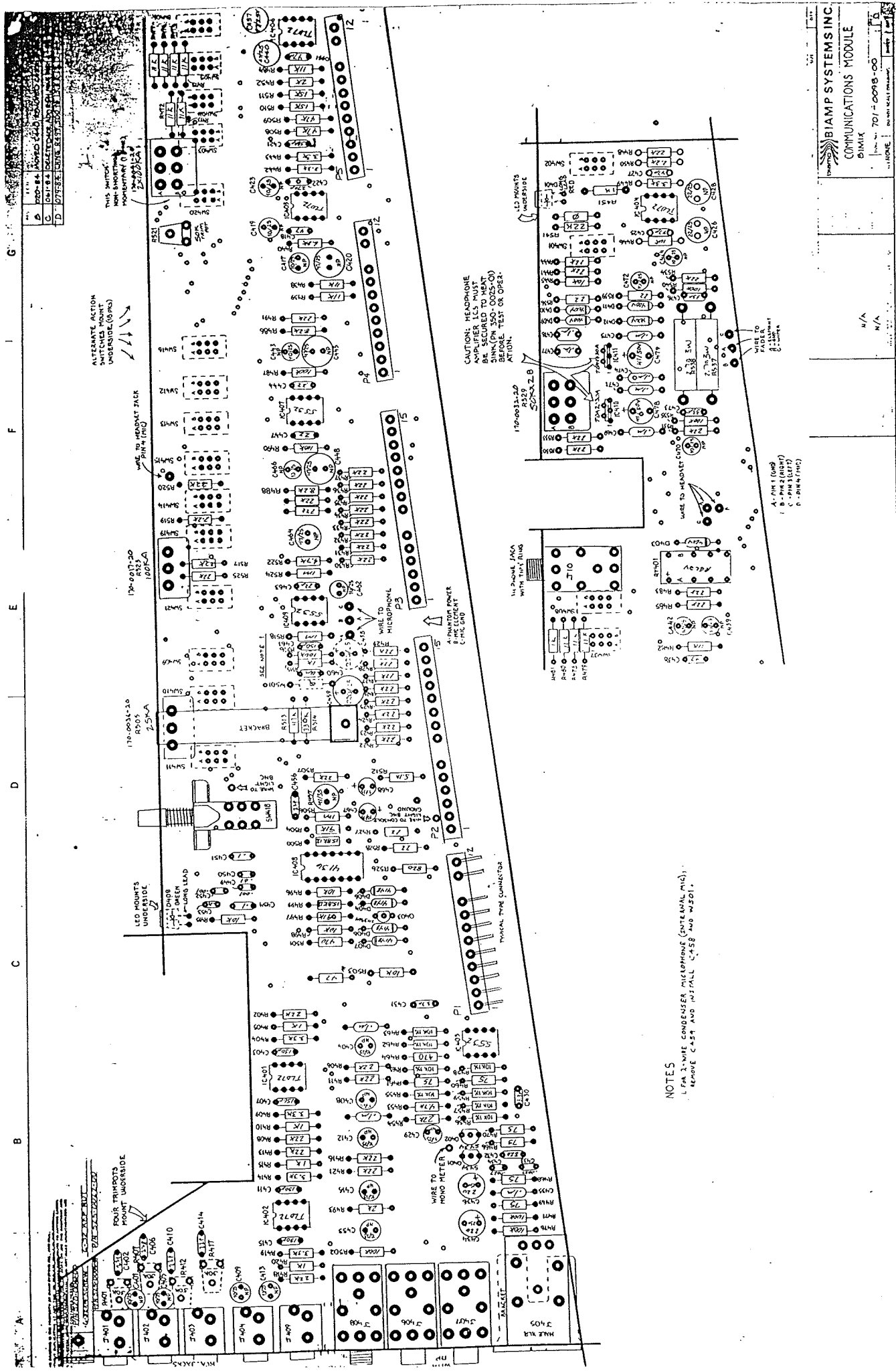
REV.	DATE	DESCRIPTION
1		INITIAL DESIGN
2		REVISION
3		REVISION
4		REVISION
5		REVISION
6		REVISION
7		REVISION
8		REVISION
9		REVISION
10		REVISION

REV.	DATE	DESCRIPTION
1		INITIAL DESIGN
2		REVISION
3		REVISION
4		REVISION
5		REVISION
6		REVISION
7		REVISION
8		REVISION
9		REVISION
10		REVISION

REV.	DATE	DESCRIPTION
1		INITIAL DESIGN
2		REVISION
3		REVISION
4		REVISION
5		REVISION
6		REVISION
7		REVISION
8		REVISION
9		REVISION
10		REVISION

BIAMP SYSTEMS INC.
COMMUNICATIONS MODULE
SCHEMATIC
REV. 10/75

NOTES:
1. ALL CAPACITORS IN MICROFARADS UNLESS OTHERWISE SPECIFIED.
2. ALL RESISTORS IN OHMS UNLESS OTHERWISE SPECIFIED.



111	112	113	114
115	116	117	118
119	120	121	122
123	124	125	126

ALTERNATE ACTION SWITCHES MOUNT UNDERSIDE (OPS)

THIS SWITCH NON-SHORTING MOMENTARY ACTION (2-2000-1)

120-0017-30 R205 R206 R207 100K-A

110-0034-30 R205 R206 R207 2.5MA

LEAD MOUNTS UNDERSIDE

FOUR TRIMPTS MOUNT UNDERSIDE

CAUTION: HEADPHONE AMPLIFIER LC NETWORK MUST BE SHORTED TO GROUND BEFORE TEST OR OPERATION.

120-0034-30 R205 R206 R207 2.5MA

110-0034-30 R205 R206 R207 2.5MA

WIRE TO HEADSET JACK

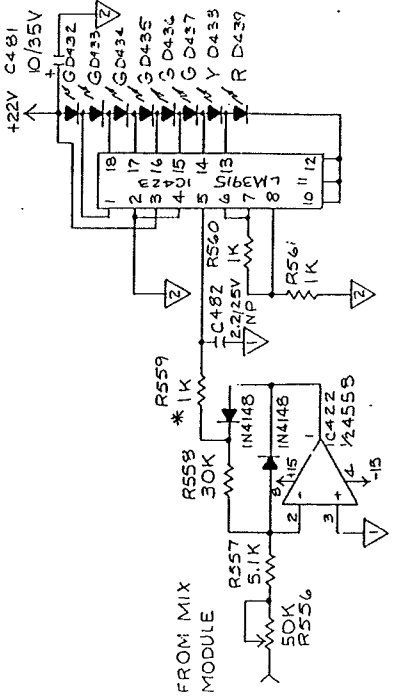
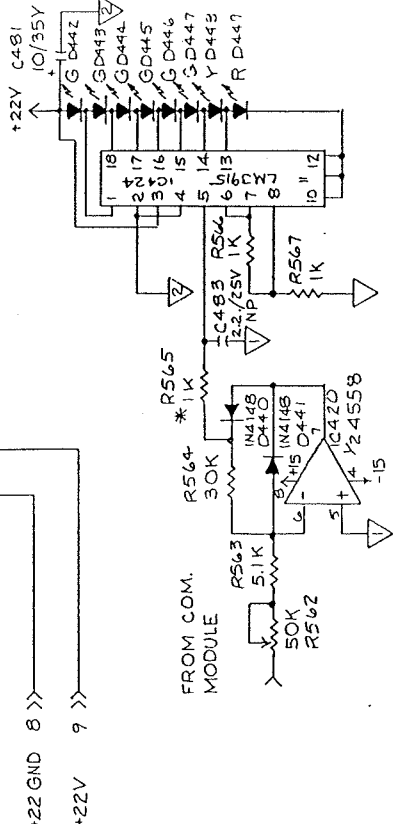
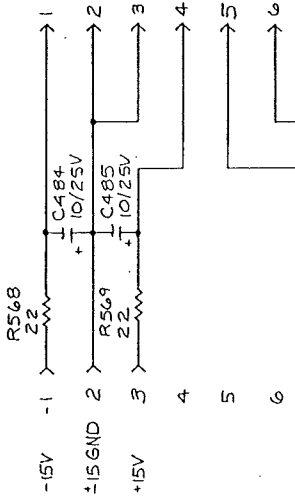
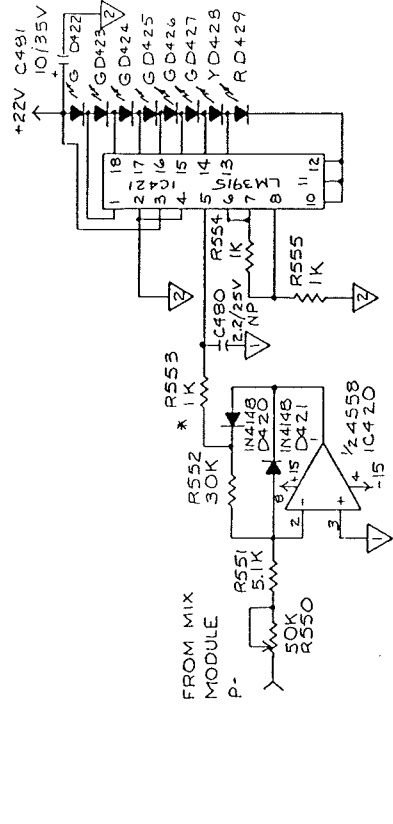
WIRE TO HEADSET JACK

NOTES

- 1. PWR 1-WIRE CONDENSEN MIC (INTERNAL MIC)
- 2. REMOVE C457 AND INSTALL C458 AND W301.

A - PWR 1 (ORNG)
B - PWR 2 (BLK)
C - PWR 3 (GRN)
D - SHIELD (WH)

THIS DRAWING IS THE PROPERTY OF BIAMP SYSTEMS INC. AND MUST BE RETURNED, WITHOUT DUPLICATION AT ANY TIME, TO THE OFFICE OF THE GENERAL MANAGER, BIAMP SYSTEMS INC., 1000 W. 10TH AVENUE, DENVER, COLORADO 80202. EMPLOYEES WHO REQUIRE IT FOR THE WORK OR FOR THE REPAIR AND MAINTENANCE OF BIAMP SYSTEMS INC. EQUIPMENT, AND NOT MAKE UNAUTHORIZED USE OF THE INFORMATION CONTAINED HEREON.



HIGHEST REF DES
R569
C485
IC424
D449

* THIS PART WILL BE 27K FOR AVERAGE METERS

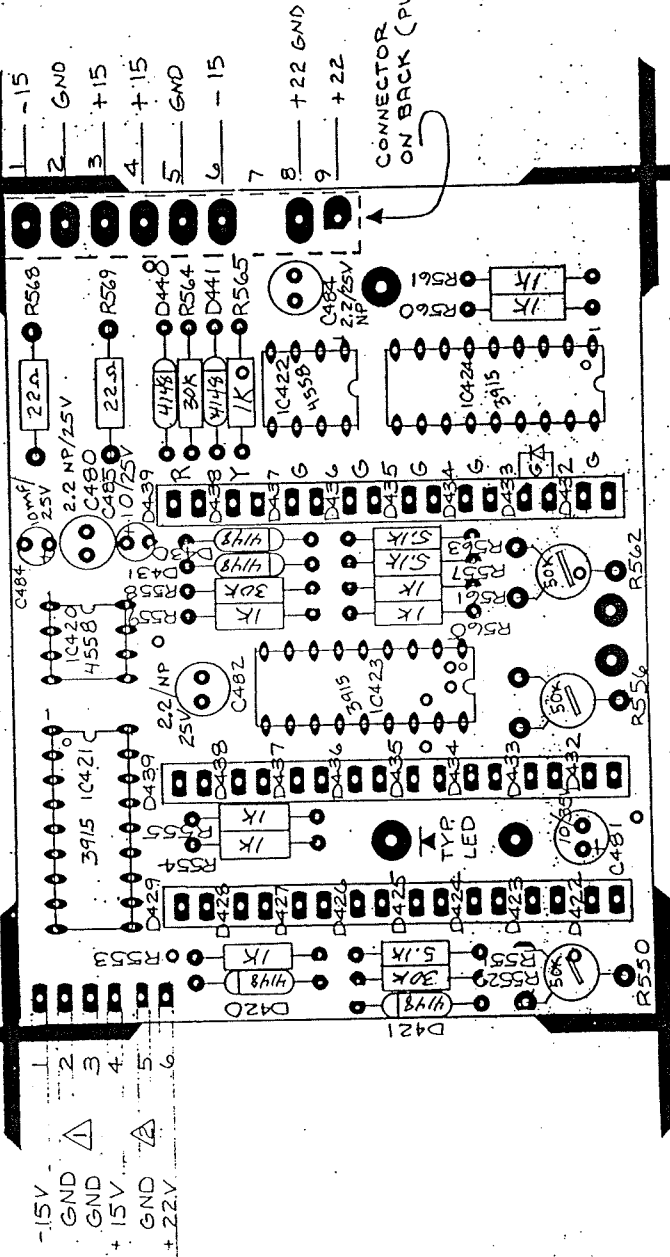
ITEM	PART NO.	DESCRIPTION	SIZE	QTY.
UNLESS OTHERWISE SPECIFIED DIMENSIONS ARE IN INCHES TOLERANCES ARE DECIMALS FRACTIONS ANGLES MATERIAL PLAINNESS	DATE 4-84	DRAWN MWR		
.XX ± N/A	CHECKED	ENGINEER		
.XXX	DESIGN	DESIGN		
MATERIAL N/A	APPROVED			
FINISH N/A				
MODEL NEXT DWD.				
APPLICATION				
SCALE NONE				
DWG. NO. 700-0099-00				
REV. A				
SHEET 1 OF 1				

BIAMP SYSTEMS INC.

BIMIX

3 LED DISPLAY

THIS DRAWING IS THE PROPERTY OF BIAMP SYSTEMS, INC. NO PARTS OF THIS DRAWING ARE TO BE REPRODUCED OR TRANSMITTED IN ANY FORM OR BY ANY MEANS, ELECTRONIC OR MECHANICAL, INCLUDING PHOTOCOPYING, RECORDING, OR BY ANY INFORMATION STORAGE AND RETRIEVAL SYSTEM. WITHOUT THE WRITTEN PERMISSION OF BIAMP SYSTEMS, INC.

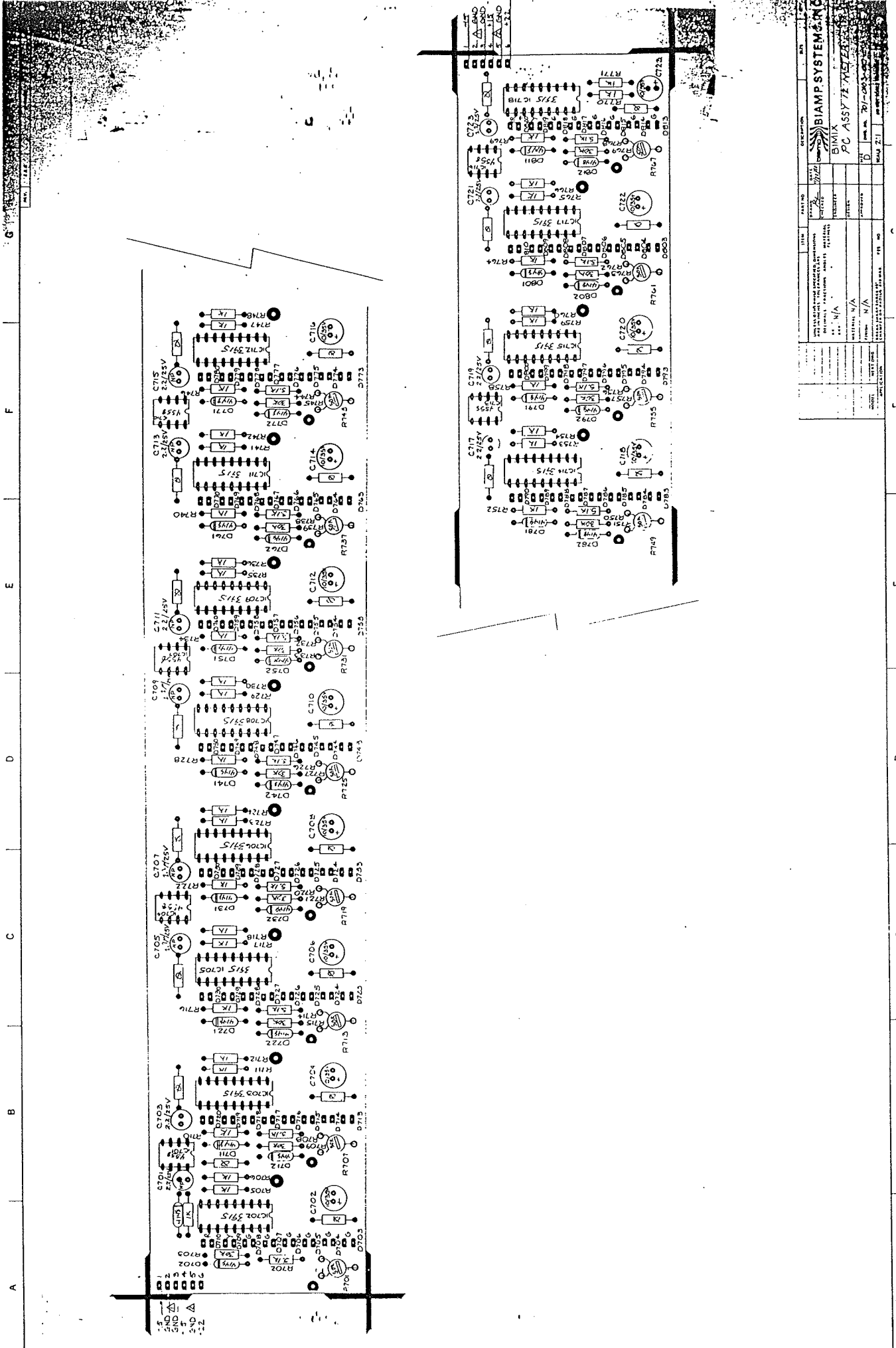


1 2

PART NO	DESCRIPTION	SIZE	QTY
322-0132-00	CONNECTOR 322-0132-00 ON BACK (PULL PIN 7)		
BIAMP SYSTEMS, INC.			
BIMIX 3 LED DISPLAY			
SIZE	DWG NO	REV	
B	701-0099-00	A	
SCALE	Z'1	DO NOT SCALE DRAWING	
SHEET 1 OF 1			

UNLESS OTHERWISE SPECIFIED, DIMENSIONS ARE IN INCHES. TOLERANCES ARE DECIMALS. FRACTIONS - ANGLES MATERIAL FINISH	APPROVED	ENGINEER	DATE
N/A	N/A	N/A	11/10/83
MODEL	NEXT DWG	APPLICATION	

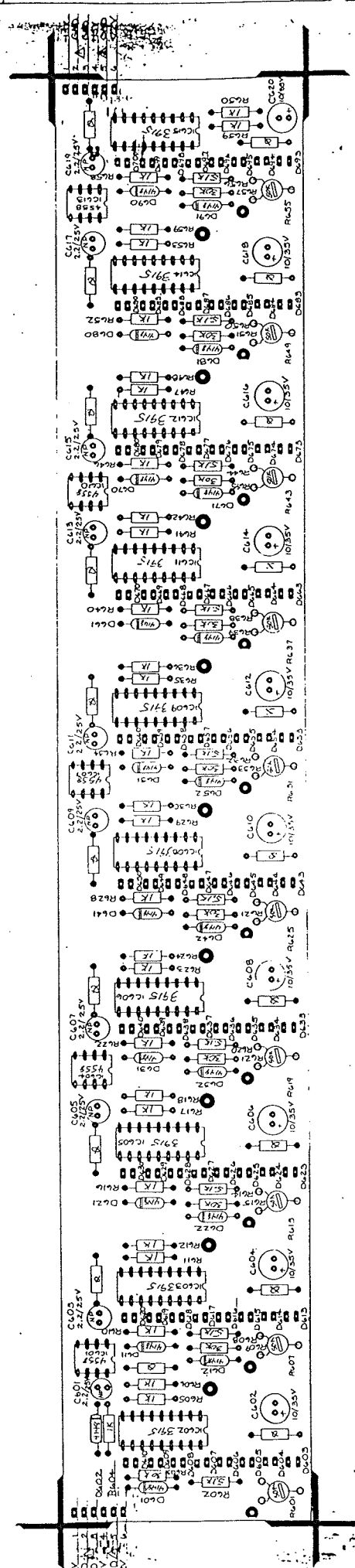
A B C D



REV.	DATE	DESCRIPTION
1	10/20/77	INITIAL RELEASE
2	11/10/77	REVISION 1
3	12/15/77	REVISION 2
4	01/10/78	REVISION 3
5	02/10/78	REVISION 4
6	03/10/78	REVISION 5
7	04/10/78	REVISION 6
8	05/10/78	REVISION 7
9	06/10/78	REVISION 8
10	07/10/78	REVISION 9
11	08/10/78	REVISION 10
12	09/10/78	REVISION 11
13	10/10/78	REVISION 12
14	11/10/78	REVISION 13
15	12/10/78	REVISION 14
16	01/10/79	REVISION 15
17	02/10/79	REVISION 16
18	03/10/79	REVISION 17
19	04/10/79	REVISION 18
20	05/10/79	REVISION 19
21	06/10/79	REVISION 20
22	07/10/79	REVISION 21
23	08/10/79	REVISION 22
24	09/10/79	REVISION 23
25	10/10/79	REVISION 24
26	11/10/79	REVISION 25
27	12/10/79	REVISION 26
28	01/10/80	REVISION 27
29	02/10/80	REVISION 28
30	03/10/80	REVISION 29
31	04/10/80	REVISION 30
32	05/10/80	REVISION 31
33	06/10/80	REVISION 32
34	07/10/80	REVISION 33
35	08/10/80	REVISION 34
36	09/10/80	REVISION 35
37	10/10/80	REVISION 36
38	11/10/80	REVISION 37
39	12/10/80	REVISION 38
40	01/10/81	REVISION 39
41	02/10/81	REVISION 40
42	03/10/81	REVISION 41
43	04/10/81	REVISION 42
44	05/10/81	REVISION 43
45	06/10/81	REVISION 44
46	07/10/81	REVISION 45
47	08/10/81	REVISION 46
48	09/10/81	REVISION 47
49	10/10/81	REVISION 48
50	11/10/81	REVISION 49
51	12/10/81	REVISION 50
52	01/10/82	REVISION 51
53	02/10/82	REVISION 52
54	03/10/82	REVISION 53
55	04/10/82	REVISION 54
56	05/10/82	REVISION 55
57	06/10/82	REVISION 56
58	07/10/82	REVISION 57
59	08/10/82	REVISION 58
60	09/10/82	REVISION 59
61	10/10/82	REVISION 60
62	11/10/82	REVISION 61
63	12/10/82	REVISION 62
64	01/10/83	REVISION 63
65	02/10/83	REVISION 64
66	03/10/83	REVISION 65
67	04/10/83	REVISION 66
68	05/10/83	REVISION 67
69	06/10/83	REVISION 68
70	07/10/83	REVISION 69
71	08/10/83	REVISION 70
72	09/10/83	REVISION 71
73	10/10/83	REVISION 72
74	11/10/83	REVISION 73
75	12/10/83	REVISION 74
76	01/10/84	REVISION 75
77	02/10/84	REVISION 76
78	03/10/84	REVISION 77
79	04/10/84	REVISION 78
80	05/10/84	REVISION 79
81	06/10/84	REVISION 80
82	07/10/84	REVISION 81
83	08/10/84	REVISION 82
84	09/10/84	REVISION 83
85	10/10/84	REVISION 84
86	11/10/84	REVISION 85
87	12/10/84	REVISION 86
88	01/10/85	REVISION 87
89	02/10/85	REVISION 88
90	03/10/85	REVISION 89
91	04/10/85	REVISION 90
92	05/10/85	REVISION 91
93	06/10/85	REVISION 92
94	07/10/85	REVISION 93
95	08/10/85	REVISION 94
96	09/10/85	REVISION 95
97	10/10/85	REVISION 96
98	11/10/85	REVISION 97
99	12/10/85	REVISION 98
100	01/10/86	REVISION 99
101	02/10/86	REVISION 100
102	03/10/86	REVISION 101
103	04/10/86	REVISION 102
104	05/10/86	REVISION 103
105	06/10/86	REVISION 104
106	07/10/86	REVISION 105
107	08/10/86	REVISION 106
108	09/10/86	REVISION 107
109	10/10/86	REVISION 108
110	11/10/86	REVISION 109
111	12/10/86	REVISION 110
112	01/10/87	REVISION 111
113	02/10/87	REVISION 112
114	03/10/87	REVISION 113
115	04/10/87	REVISION 114
116	05/10/87	REVISION 115
117	06/10/87	REVISION 116
118	07/10/87	REVISION 117
119	08/10/87	REVISION 118
120	09/10/87	REVISION 119
121	10/10/87	REVISION 120
122	11/10/87	REVISION 121
123	12/10/87	REVISION 122
124	01/10/88	REVISION 123
125	02/10/88	REVISION 124
126	03/10/88	REVISION 125
127	04/10/88	REVISION 126
128	05/10/88	REVISION 127
129	06/10/88	REVISION 128
130	07/10/88	REVISION 129
131	08/10/88	REVISION 130
132	09/10/88	REVISION 131
133	10/10/88	REVISION 132
134	11/10/88	REVISION 133
135	12/10/88	REVISION 134
136	01/10/89	REVISION 135
137	02/10/89	REVISION 136
138	03/10/89	REVISION 137
139	04/10/89	REVISION 138
140	05/10/89	REVISION 139
141	06/10/89	REVISION 140
142	07/10/89	REVISION 141
143	08/10/89	REVISION 142
144	09/10/89	REVISION 143
145	10/10/89	REVISION 144
146	11/10/89	REVISION 145
147	12/10/89	REVISION 146
148	01/10/90	REVISION 147
149	02/10/90	REVISION 148
150	03/10/90	REVISION 149
151	04/10/90	REVISION 150
152	05/10/90	REVISION 151
153	06/10/90	REVISION 152
154	07/10/90	REVISION 153
155	08/10/90	REVISION 154
156	09/10/90	REVISION 155
157	10/10/90	REVISION 156
158	11/10/90	REVISION 157
159	12/10/90	REVISION 158
160	01/10/91	REVISION 159
161	02/10/91	REVISION 160
162	03/10/91	REVISION 161
163	04/10/91	REVISION 162
164	05/10/91	REVISION 163
165	06/10/91	REVISION 164
166	07/10/91	REVISION 165
167	08/10/91	REVISION 166
168	09/10/91	REVISION 167
169	10/10/91	REVISION 168
170	11/10/91	REVISION 169
171	12/10/91	REVISION 170
172	01/10/92	REVISION 171
173	02/10/92	REVISION 172
174	03/10/92	REVISION 173
175	04/10/92	REVISION 174
176	05/10/92	REVISION 175
177	06/10/92	REVISION 176
178	07/10/92	REVISION 177
179	08/10/92	REVISION 178
180	09/10/92	REVISION 179
181	10/10/92	REVISION 180
182	11/10/92	REVISION 181
183	12/10/92	REVISION 182
184	01/10/93	REVISION 183
185	02/10/93	REVISION 184
186	03/10/93	REVISION 185
187	04/10/93	REVISION 186
188	05/10/93	REVISION 187
189	06/10/93	REVISION 188
190	07/10/93	REVISION 189
191	08/10/93	REVISION 190
192	09/10/93	REVISION 191
193	10/10/93	REVISION 192
194	11/10/93	REVISION 193
195	12/10/93	REVISION 194
196	01/10/94	REVISION 195
197	02/10/94	REVISION 196
198	03/10/94	REVISION 197
199	04/10/94	REVISION 198
200	05/10/94	REVISION 199
201	06/10/94	REVISION 200
202	07/10/94	REVISION 201
203	08/10/94	REVISION 202
204	09/10/94	REVISION 203
205	10/10/94	REVISION 204
206	11/10/94	REVISION 205
207	12/10/94	REVISION 206
208	01/10/95	REVISION 207
209	02/10/95	REVISION 208
210	03/10/95	REVISION 209
211	04/10/95	REVISION 210
212	05/10/95	REVISION 211
213	06/10/95	REVISION 212
214	07/10/95	REVISION 213
215	08/10/95	REVISION 214
216	09/10/95	REVISION 215
217	10/10/95	REVISION 216
218	11/10/95	REVISION 217
219	12/10/95	REVISION 218
220	01/10/96	REVISION 219
221	02/10/96	REVISION 220
222	03/10/96	REVISION 221
223	04/10/96	REVISION 222
224	05/10/96	REVISION 223
225	06/10/96	REVISION 224
226	07/10/96	REVISION 225
227	08/10/96	REVISION 226
228	09/10/96	REVISION 227
229	10/10/96	REVISION 228
230	11/10/96	REVISION 229
231	12/10/96	REVISION 230
232	01/10/97	REVISION 231
233	02/10/97	REVISION 232
234	03/10/97	REVISION 233
235	04/10/97	REVISION 234
236	05/10/97	REVISION 235
237	06/10/97	REVISION 236
238	07/10/97	REVISION 237
239	08/10/97	REVISION 238
240	09/10/97	REVISION 239
241	10/10/97	REVISION 240
242	11/10/97	REVISION 241
243	12/10/97	REVISION 242
244	01/10/98	REVISION 243
245	02/10/98	REVISION 244
246	03/10/98	REVISION 245
247	04/10/98	REVISION 246
248	05/10/98	REVISION 247
249	06/10/98	REVISION 248
250	07/10/98	REVISION 249
251	08/10/98	REVISION 250
252	09/10/98	REVISION 251
253	10/10/98	REVISION 252
254	11/10/98	REVISION 253
255	12/10/98	REVISION 254
256	01/10/99	REVISION 255
257	02/10/99	REVISION 256
258	03/10/99	REVISION 257
259	04/10/99	REVISION 258
260	05/10/99	REVISION 259
261	06/10/99	REVISION 260
262	07/10/99	REVISION 261
263	08/10/99	REVISION 262
264	09/10/99	REVISION 263
265	10/10/99	REVISION 264
266	11/10/99	REVISION 265
267	12/10/99	REVISION 266
268	01/00	REVISION 267
269	02/00	REVISION 268
270	03/00	REVISION 269
271	04/00	REVISION 270
272	05/00	REVISION 271
273	06/00	REVISION 272
274	07/00	REVISION 273
275	08/00	REVISION 274
276	09/00	REVISION 275
277	10/00	REVISION 276
278	11/00	REVISION 277
279	12/00	REVISION 278
280	01/01	REVISION 279
281	02/01	REVISION 280
282	03/01	REVISION 281
283	04/01	REVISION 282
284	05/01	REVISION 283
285	06/01	REVISION 284
286	07/01	REVISION 285
287	08/01	REVISION 286
288	09/01	REVISION 287
289	10/01	REVISION 288
290	11/01	REVISION 289
291	12/01	REVISION 290
292	01/02	REVISION 291
293	02/02	REVISION 292
294	03/02	REVISION 293
29		

A B C D E F G

BIAMP SYSTEMS INC. 10000 W. 10TH AVENUE, DENVER, CO 80202
 TEL: 303-751-1000 FAX: 303-751-1001
 WWW.BIAMP.COM



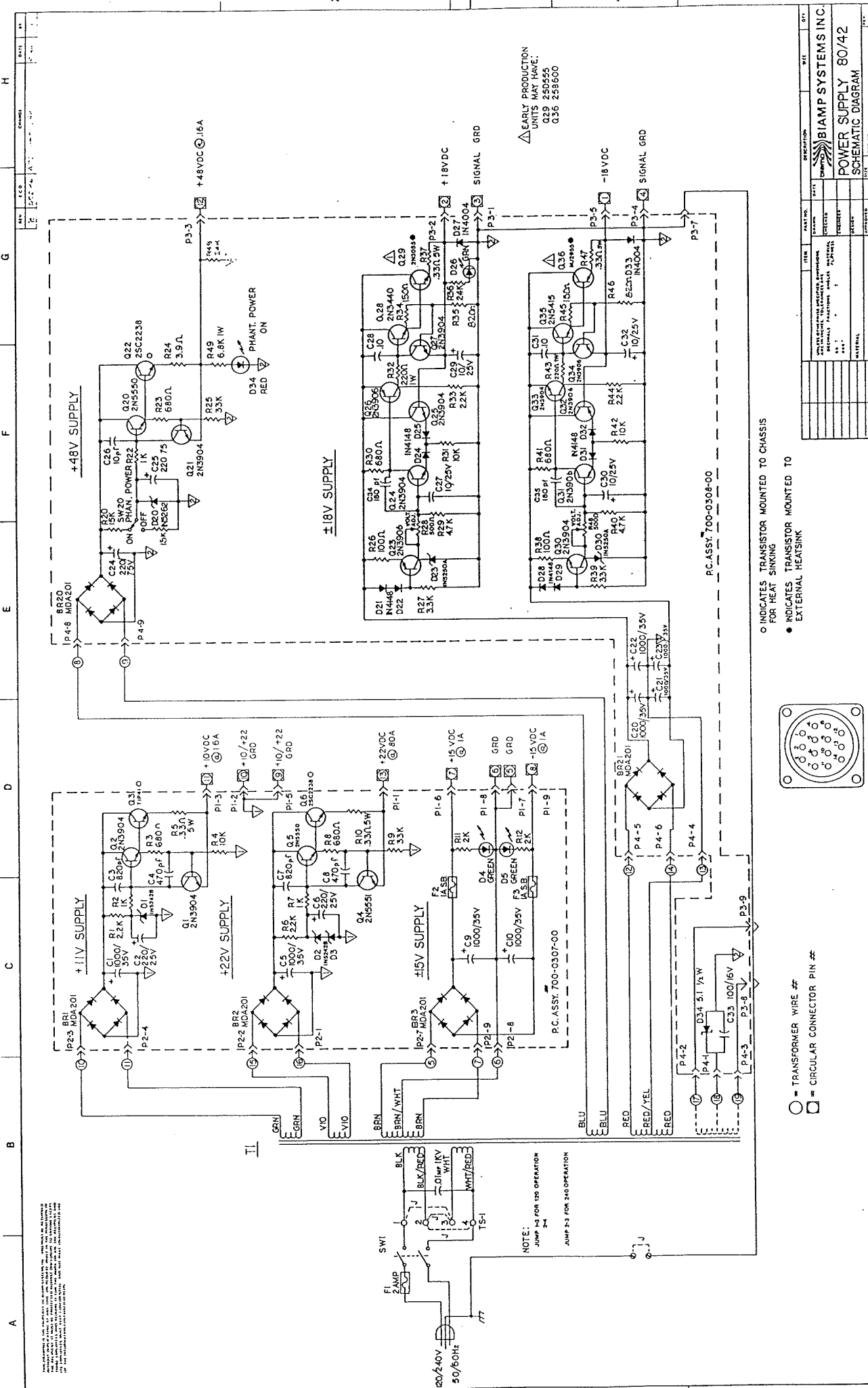
REV	DATE	DESCRIPTION	BY	CHKD
1.0	01/21/00	PC-ASSY 10-DIMETER DIMIX		
1.1	01/21/00	REVISED		
1.2	01/21/00	REVISED		
1.3	01/21/00	REVISED		
1.4	01/21/00	REVISED		
1.5	01/21/00	REVISED		
1.6	01/21/00	REVISED		
1.7	01/21/00	REVISED		
1.8	01/21/00	REVISED		
1.9	01/21/00	REVISED		
2.0	01/21/00	REVISED		
2.1	01/21/00	REVISED		
2.2	01/21/00	REVISED		
2.3	01/21/00	REVISED		
2.4	01/21/00	REVISED		
2.5	01/21/00	REVISED		
2.6	01/21/00	REVISED		
2.7	01/21/00	REVISED		
2.8	01/21/00	REVISED		
2.9	01/21/00	REVISED		
3.0	01/21/00	REVISED		
3.1	01/21/00	REVISED		
3.2	01/21/00	REVISED		
3.3	01/21/00	REVISED		
3.4	01/21/00	REVISED		
3.5	01/21/00	REVISED		
3.6	01/21/00	REVISED		
3.7	01/21/00	REVISED		
3.8	01/21/00	REVISED		
3.9	01/21/00	REVISED		
4.0	01/21/00	REVISED		
4.1	01/21/00	REVISED		
4.2	01/21/00	REVISED		
4.3	01/21/00	REVISED		
4.4	01/21/00	REVISED		
4.5	01/21/00	REVISED		
4.6	01/21/00	REVISED		
4.7	01/21/00	REVISED		
4.8	01/21/00	REVISED		
4.9	01/21/00	REVISED		
5.0	01/21/00	REVISED		
5.1	01/21/00	REVISED		
5.2	01/21/00	REVISED		
5.3	01/21/00	REVISED		
5.4	01/21/00	REVISED		
5.5	01/21/00	REVISED		
5.6	01/21/00	REVISED		
5.7	01/21/00	REVISED		
5.8	01/21/00	REVISED		
5.9	01/21/00	REVISED		
6.0	01/21/00	REVISED		
6.1	01/21/00	REVISED		
6.2	01/21/00	REVISED		
6.3	01/21/00	REVISED		
6.4	01/21/00	REVISED		
6.5	01/21/00	REVISED		
6.6	01/21/00	REVISED		
6.7	01/21/00	REVISED		
6.8	01/21/00	REVISED		
6.9	01/21/00	REVISED		
7.0	01/21/00	REVISED		
7.1	01/21/00	REVISED		
7.2	01/21/00	REVISED		
7.3	01/21/00	REVISED		
7.4	01/21/00	REVISED		
7.5	01/21/00	REVISED		
7.6	01/21/00	REVISED		
7.7	01/21/00	REVISED		
7.8	01/21/00	REVISED		
7.9	01/21/00	REVISED		
8.0	01/21/00	REVISED		
8.1	01/21/00	REVISED		
8.2	01/21/00	REVISED		
8.3	01/21/00	REVISED		
8.4	01/21/00	REVISED		
8.5	01/21/00	REVISED		
8.6	01/21/00	REVISED		
8.7	01/21/00	REVISED		
8.8	01/21/00	REVISED		
8.9	01/21/00	REVISED		
9.0	01/21/00	REVISED		
9.1	01/21/00	REVISED		
9.2	01/21/00	REVISED		
9.3	01/21/00	REVISED		
9.4	01/21/00	REVISED		
9.5	01/21/00	REVISED		
9.6	01/21/00	REVISED		
9.7	01/21/00	REVISED		
9.8	01/21/00	REVISED		
9.9	01/21/00	REVISED		
10.0	01/21/00	REVISED		

BIAMP SYSTEMS INC.
 10000 W. 10TH AVENUE, DENVER, CO 80202
 TEL: 303-751-1000 FAX: 303-751-1001
 WWW.BIAMP.COM

PC-ASSY 10-DIMETER DIMIX

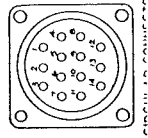
DATE: 01/21/00

REV: 2.1



△ EARLY PRODUCTION UNITS MAY HAVE Q36 25D565 Q36 25B600

○ INDICATES TRANSISTOR MOUNTED TO CHASSIS FOR HEAT SINKING
 ● INDICATES TRANSISTOR MOUNTED TO EXTERNAL HEATSINK

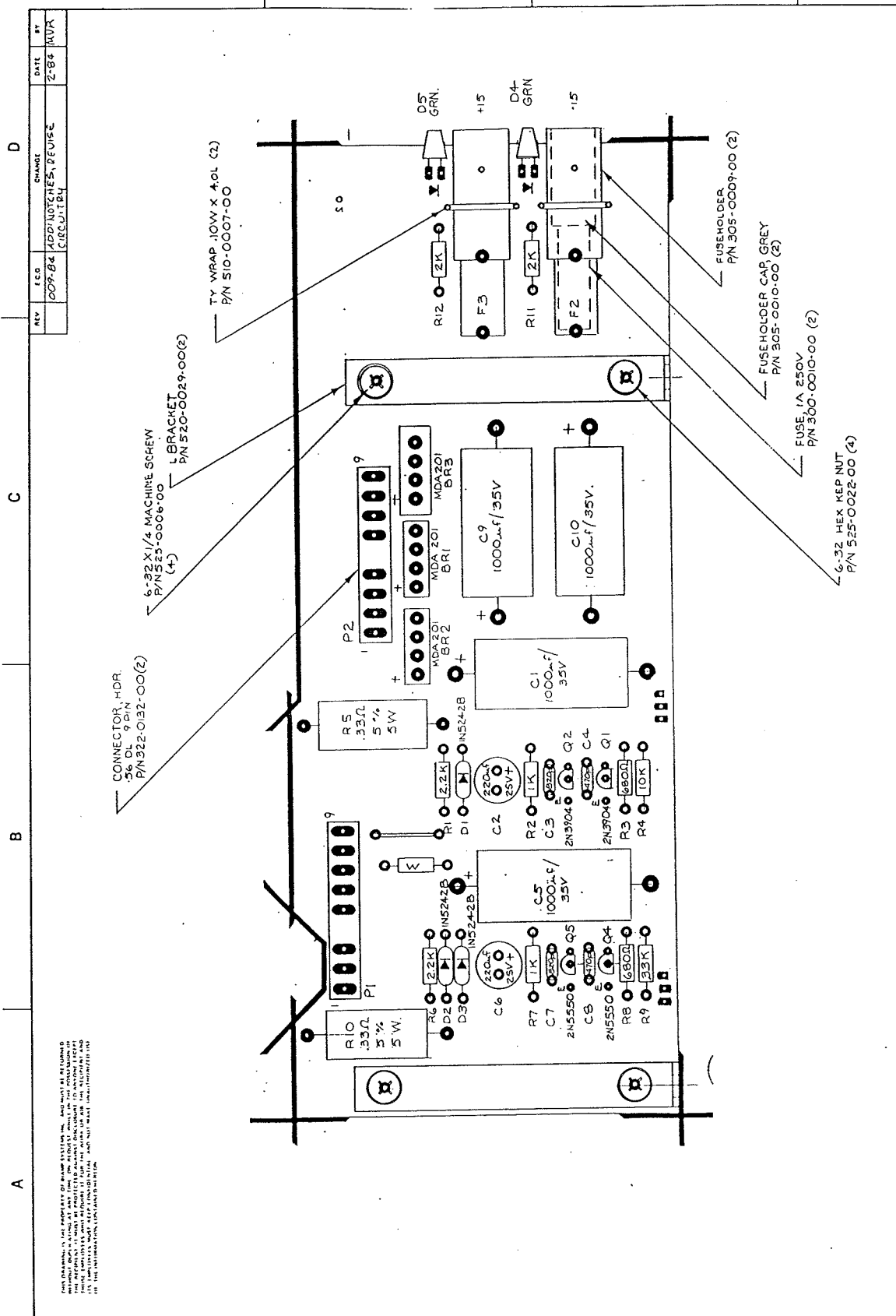


○ = TRANSFORMER WIRE #
 □ = CIRCULAR CONNECTOR PIN #

REV	DESCRIPTION	DATE	BY
1	POWER SUPPLY 80/42 SCHEMATIC DIAGRAM		

REV	DESCRIPTION	DATE	BY
1	BIAMP SYSTEMS INC		

THIS DRAWING IS THE PROPERTY OF BIAMP SYSTEMS, INC. AND MUST BE RETURNED TO THE COMPANY IF IT IS FOUND IN ANY MANNER. THE COMPANY ASSUMES NO LIABILITY FOR THE USE OF THIS DRAWING IN ANY MANNER. THE COMPANY ASSUMES NO LIABILITY FOR THE USE OF THIS DRAWING IN ANY MANNER.



REV	ECO	CHANGE	DATE	BY
		009-B4 ADDING NOTES, REVISE CIRCUITRY	2-84	MAA

ITEM	DESCRIPTION	QTY
1	BIAMP SYSTEMS, INC.	
2	BIAMP SYSTEMS, INC.	
3	BIAMP SYSTEMS, INC.	
4	BIAMP SYSTEMS, INC.	

DATE	2-84
BY	MAA
SCALE	1:1
APP. NO.	701-0307-00
REV.	C
DATE	10/15/22
BY	MAA
APP. NO.	701-0307-00
REV.	C

