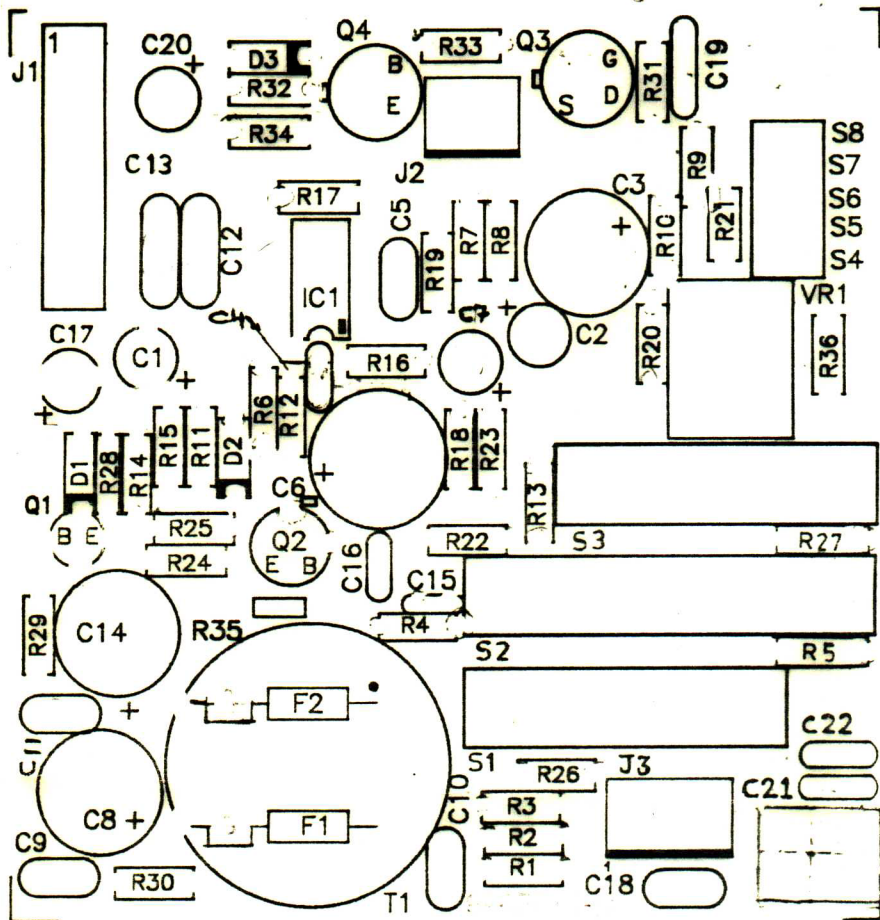


**CMA 350**

**Schematic**

Released July 16, 2002



**COMP. SIDE OF  
CHANNEL PCB (CMA)**

QTY./SET:- 6 NO./SET

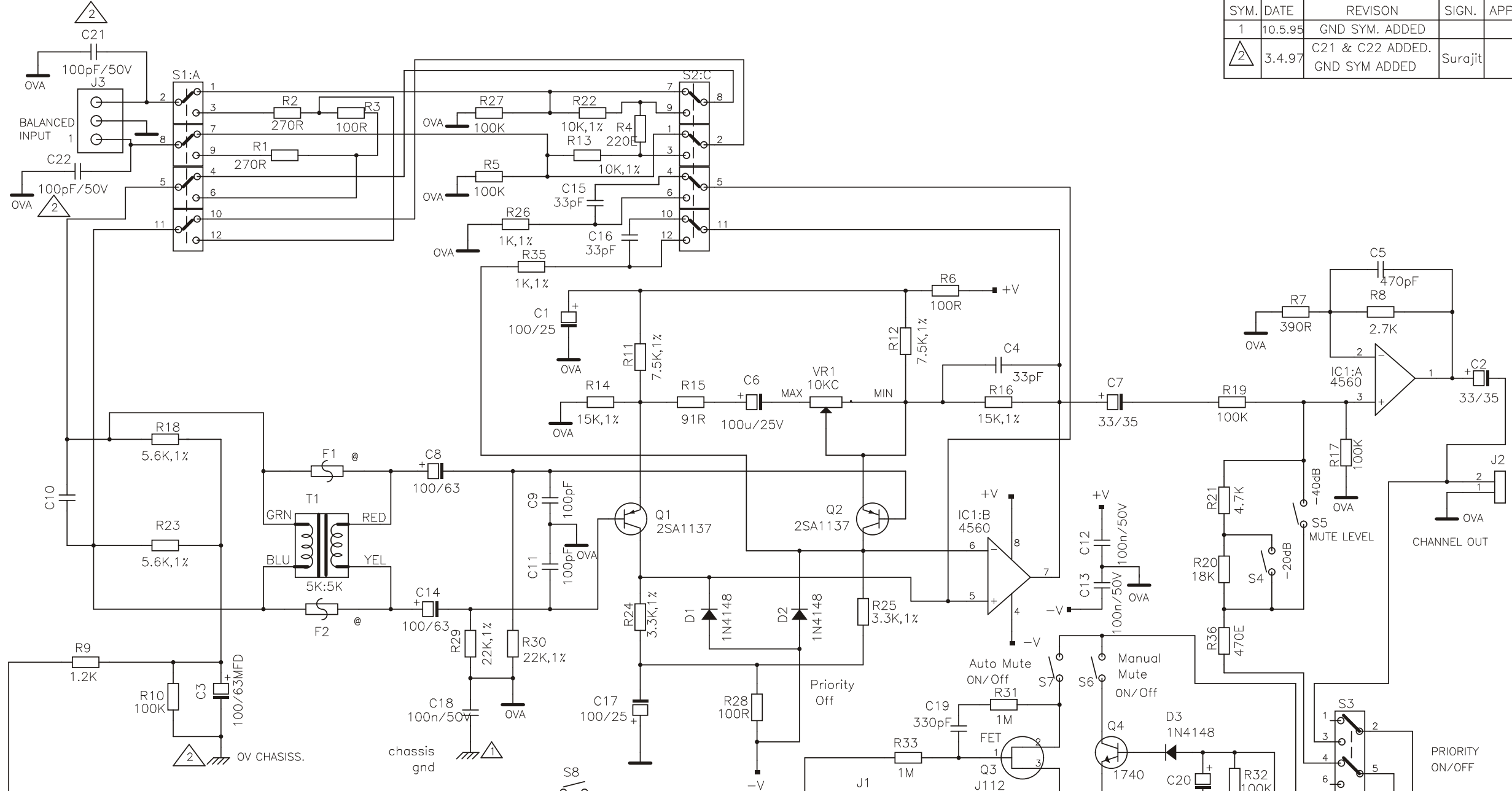
**COMP. SIDE ART. WORK NO.:- 97069**

2	4/6/98	MOUNTING drill changed from 2.3 to 2.7mm PCB outline drawing attached 9704001-G	SR
1	9/8/97	VR1 drill $\phi$ changed to 1.2mm	SR
REV.	SYM.	DATE	DETAILS
			SIGN

**UNISOUND PVT.LTD. 17-A, SEEPZ, BOMBAY-96, INDIA.**

TOP TRACK SIDE ART WORK NO.:- <b>97068</b>	PCB SIZE:-70 x 73 mm	USED ON.
COMP SIDE ART WORK NO.:- -----	DATE:- 2-04-97	CMA
BOTTOM TRACK SIDE ART WORK NO.:- <b>97070</b>	MATERIAL:- FR-4,D/S,PTH.	30, 60, 120, 350
SOLDER MASK ART WORK NO.:- <b>97071</b>	DRN BY:- <b>Srikant</b>	
FOR DRILLING DET. REF. DRG. NO.:- <b>9704001E</b>	APP'D BY:- <i>[Signature]</i>	
TITLE: <b>COMPONENT SIDE OF CHANNEL PCB</b>	PART NO: <b>PCB US X22</b>	REV. FORM
	DRG. NO: <b>9704001 B</b>	<b>2 A4</b>

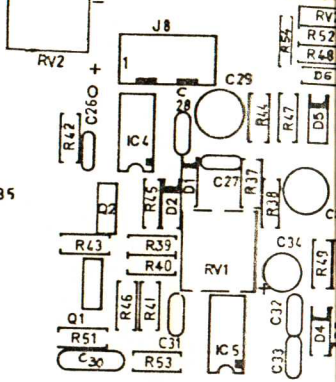
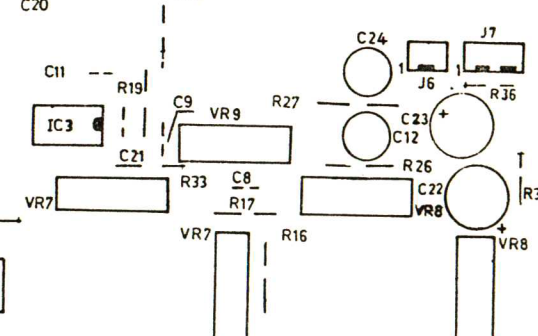
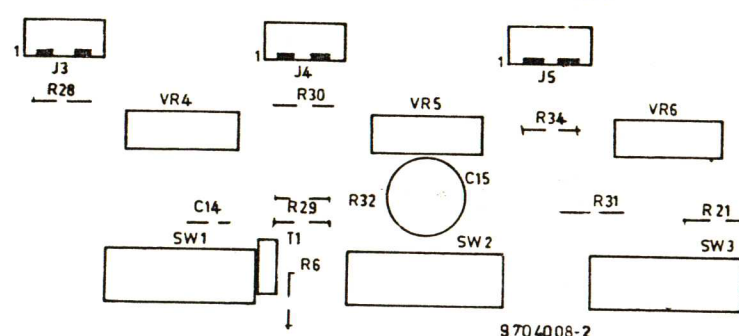
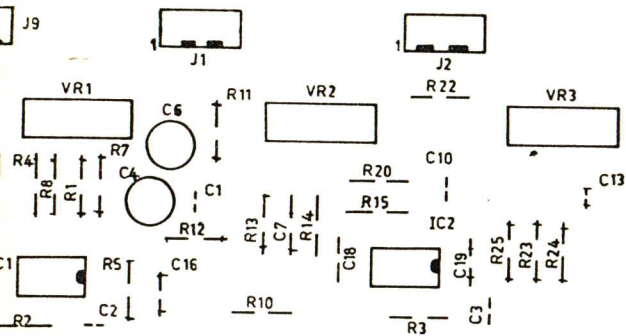
SYM.	DATE	REVISION	SIGN.	APP'D
1	10.5.95	GND SYM. ADDED		
2	3.4.97	C21 & C22 ADDED. GND SYM ADDED	Surajit	



- NOTE:--
- S1 TEL./MIC, LINE SWITCH SHOWN IN MIC POSITION.
  - S2 MIC/LINE SWITCH SHOWN IN MIC POSITION.
  - S3 PRIORITY ON/OFF SWITCH SHOWN IN OFF POSITION.
  - S4 -20dB MUTE LEVEL SHOWN IN OFF POSITION.
  - S5 -40dB MUTE LEVEL SHOWN IN OFF POSITION.
  - S6 MANUAL MUTE ON/OFF SWITCH SHOWN IN OFF POSITION.
  - S7 AUTO MUTE ON/OFF SWITCH SHOWN IN OFF POSITION.
  - S8 PHANTOM POWER ON/OFF SWITCH SHOWN IN OFF POSITION.

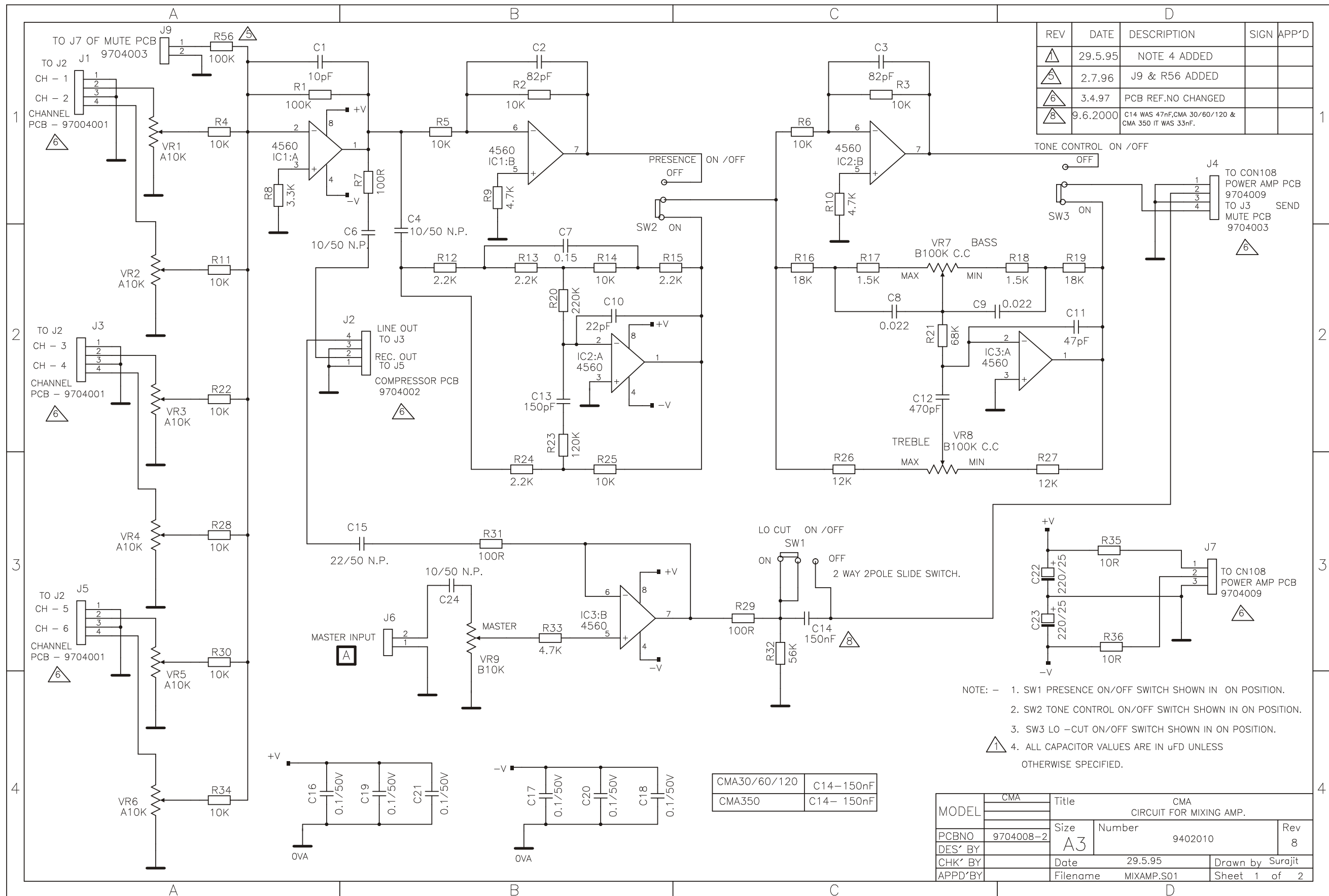
COMP.	CH.1 & 2	CH.3,4,5,6
R1 R2	270R	NOT USED
T1	USED	NOT USED
R4	220E	NOT USED
F1,F2	NOT USED	USED
C5	470pF	330pF
S1	4 POLE	NOT USED
S2	2 POLE	4 POLE
R3	100R	NOT USED

MODEL	CMA	Title	CMA
		CIRCUIT FOR CHANNEL PCB	
PCBNO	9704001	Size	Number
DES' BY	A3		9312012
CHK' BY		Date	29.5.95
APPD'BY		Filename	MDACH.S01
		Drawn by	Surajit
		Sheet	1 of 1



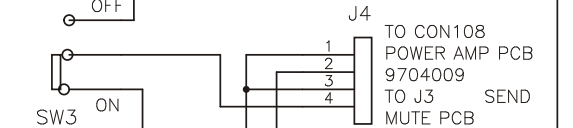
9704008-2



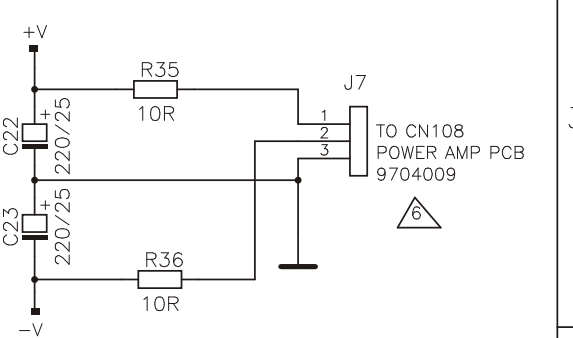
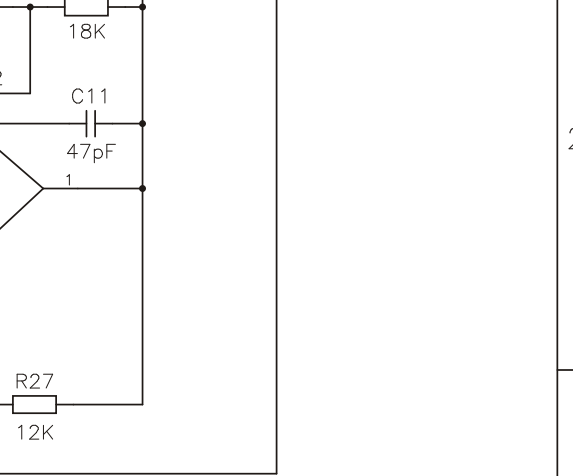


REV	DATE	DESCRIPTION	SIGN	APP'D
△	29.5.95	NOTE 4 ADDED		
△	2.7.96	J9 & R56 ADDED		
△	3.4.97	PCB REF.NO CHANGED		
△	9.6.2000	C14 WAS 47nF,CMA 30/60/120 & CMA 350 IT WAS 33nF.		

TONE CONTROL ON /OFF



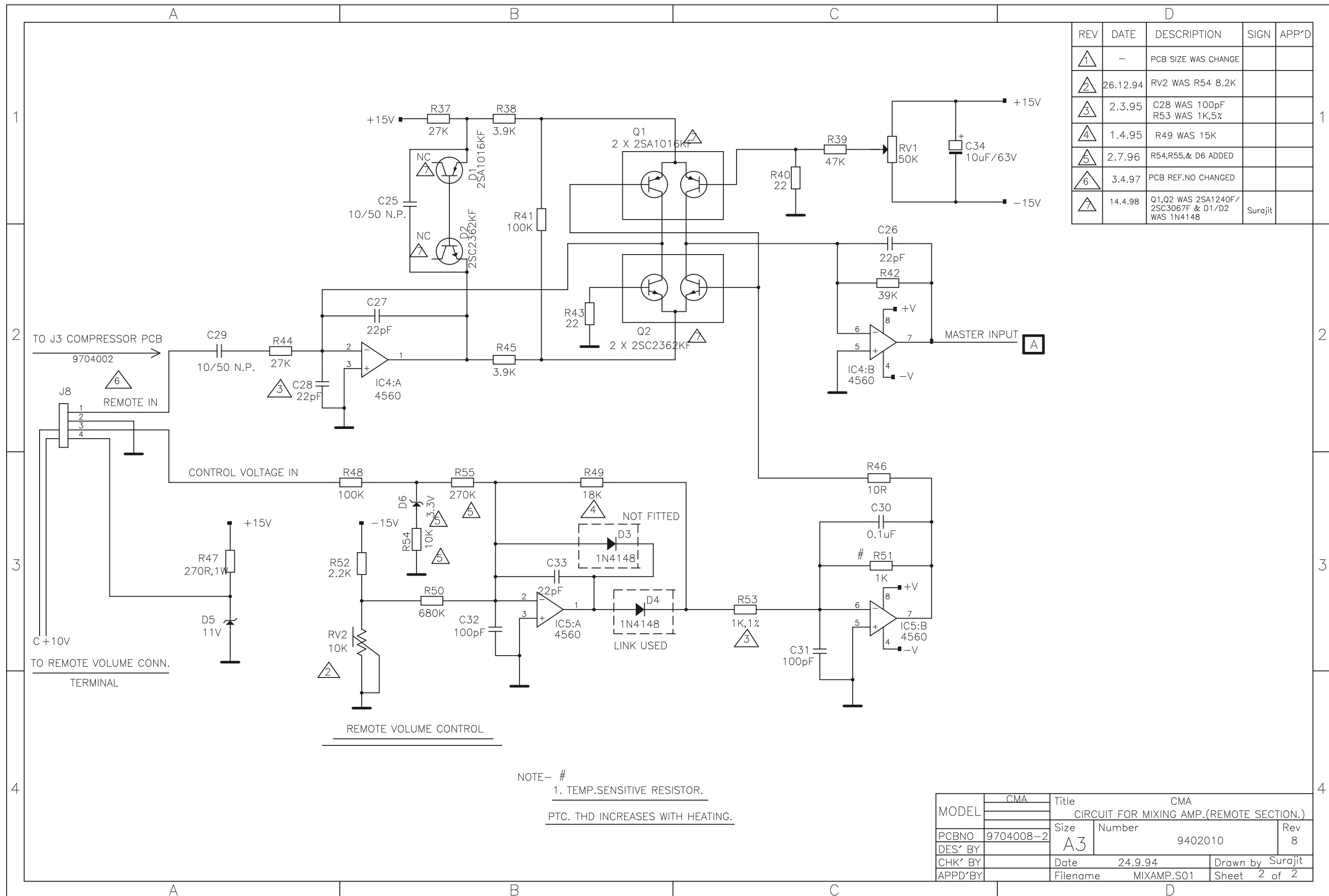
TO CON108 POWER AMP PCB 9704009  
TO J3 SEND MUTE PCB 9704003



- NOTE: -
1. SW1 PRESENCE ON/OFF SWITCH SHOWN IN ON POSITION.
  2. SW2 TONE CONTROL ON/OFF SWITCH SHOWN IN ON POSITION.
  3. SW3 LO -CUT ON/OFF SWITCH SHOWN IN ON POSITION.
  - △ 4. ALL CAPACITOR VALUES ARE IN uFD UNLESS OTHERWISE SPECIFIED.

CMA30/60/120	C14-150nF
CMA350	C14- 150nF

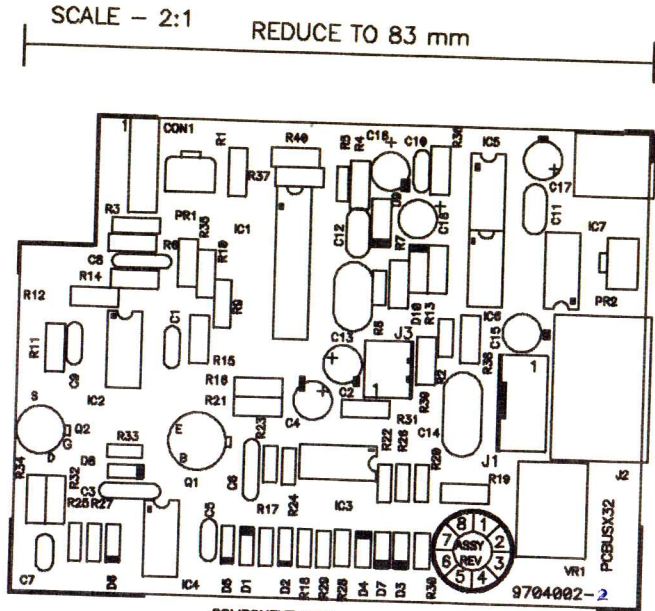
MODEL	CMA	Title	CMA	
			CIRCUIT FOR MIXING AMP.	
PCBNO	9704008-2	Size	Number	Rev
DES' BY		A3	9402010	8
CHK' BY		Date	29.5.95	Drawn by
APPD'BY		Filename	MIXAMP.S01	Surajit
			Sheet	1 of 2



REV	DATE	DESCRIPTION	SIGN	APP'D
1	-	PCB SIZE WAS CHANGE		
2	26.12.94	RV2 WAS R54 8.2K		
3	2.3.95	C28 WAS 100pF R53 WAS 1K,5%		
4	1.4.95	R49 WAS 15K		
5	2.7.96	R54,R55,& D6 ADDED		
6	3.4.97	PCB REF.NO CHANGED		
7	14.4.98	Q1,Q2 WAS 2SA1240F/ 2SC3067F & D1/D2 WAS 1N4148	Surajit	

NOTE- #  
 1. TEMP.SENSITIVE RESISTOR.  
 PTC. THD INCREASES WITH HEATING.

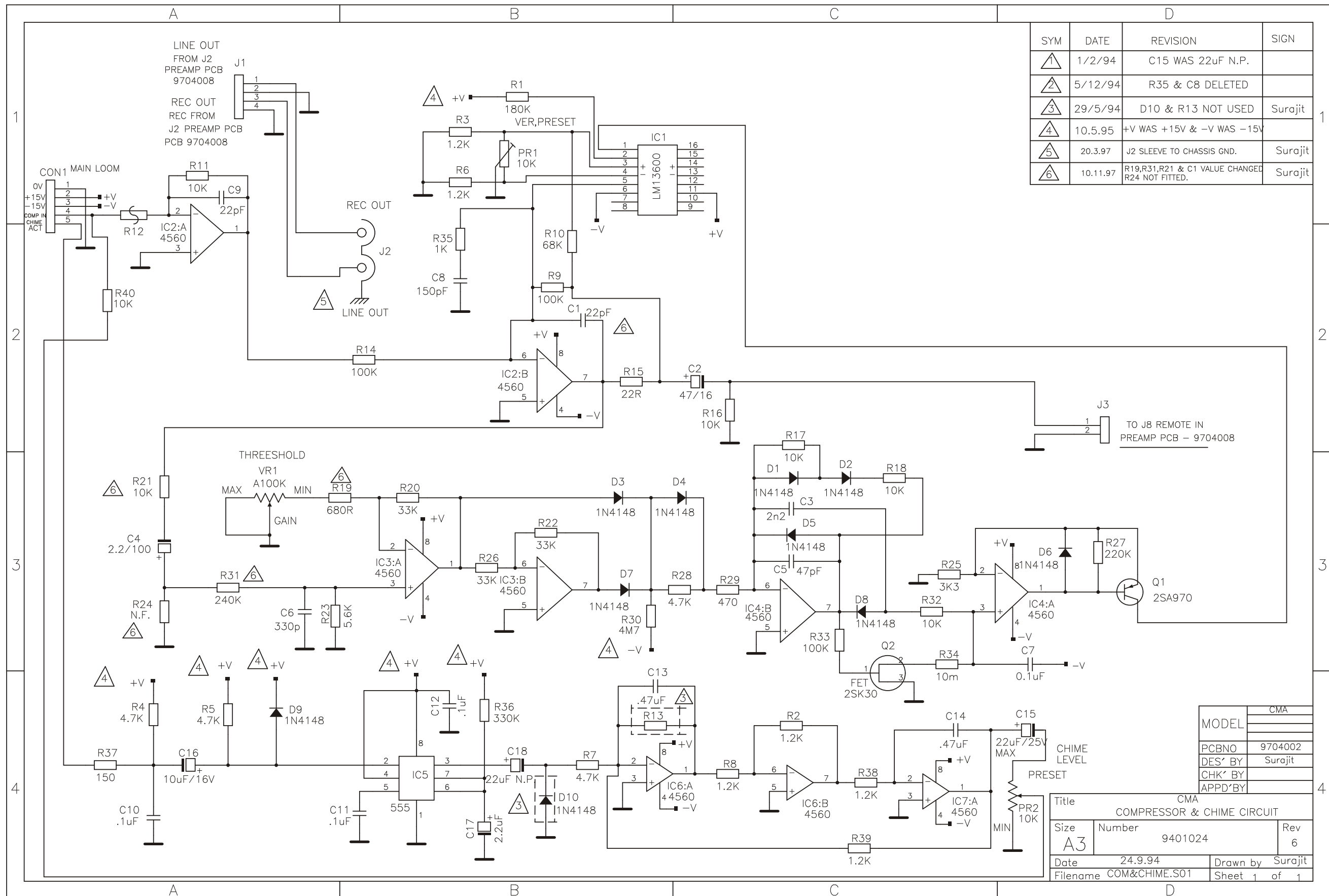
MODEL	CMA	Title CMA		
		CIRCUIT FOR MIXING AMP.(REMOTE SECTION.)		
PCBNO	9704008-2	Size A3	Number 9402010	Rev 8
DES' BY				
CHK' BY		Date 24.9.94	Drawn by Surajit	
APPD'BY		Filename MIXAMP.S01	Sheet 2 of 2	



CMA COMPRESSOR PCB  
 PCB SIZE = 83 x 63.5 mm DOUBLE SIDED PTH PCB  
 PCB NO - 9704002-0  
 DATE - 16.6.97

2	25/6/98	Bracket locking hole was 2.7mm	SA
1	9/8/97	VR1 drill $\phi$ changed to 1.2mm	SA

VIEW	COMPONENT SIDE	UNISOUND PVT.LTD. 17-A, SEEPZ, BOMBAY -96. INDIA			
MODEL	QTY/SET	TOP SIDE TRACK ARTWORK NO- 97052 BOTTOM SIDE TRACK ARTWORK NO- 97054 COMPONENT SIDE ARTWORK NO- 97053 SOLDER MASK ARTWORK NO- 97055	MATL. FR4 DOUBLE SIDED P.T.H PCB	SCALE	SIZE
CMA/30/60/ 120	1			1:1	A4
REV	DATE	DESCRIPTION	DATE - 16.6.97	DES' BY - Surajit	APP'D BY -
		TITLE - COMPRESSOR & CHIME PCB	SIZE - 83 X 63.5 mm		REV 2
			PART NO - PCBUSX32		
			DRG. NO - 9704002		

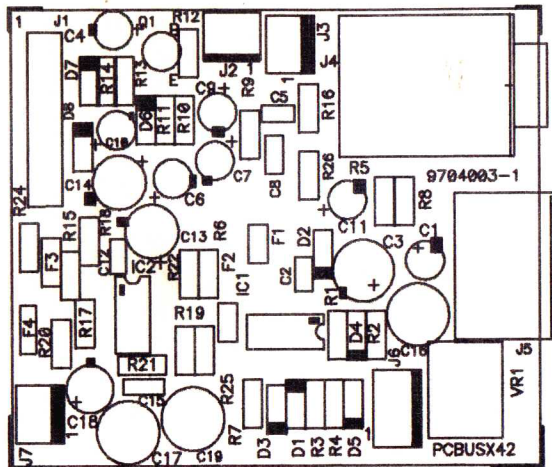


SYM	DATE	REVISION	SIGN
△1	1/2/94	C15 WAS 22uF N.P.	
△2	5/12/94	R35 & C8 DELETED	
△3	29/5/94	D10 & R13 NOT USED	Surajit
△4	10.5.95	+V WAS +15V & -V WAS -15V	
△5	20.3.97	J2 SLEEVE TO CHASSIS GND.	Surajit
△6	10.11.97	R19,R31,R21 & C1 VALUE CHANGED R24 NOT FITTED.	Surajit

MODEL	CMA
PCBNO	9704002
DES' BY	Surajit
CHK' BY	
APPD'BY	

Title CMA COMPRESSOR & CHIME CIRCUIT		
Size A3	Number 9401024	Rev 6
Date 24.9.94	Drawn by Surajit	
Filename COM&CHIME.S01	Sheet 1 of 1	

SCALE - 2:1  
REDUCE TO 70 mm

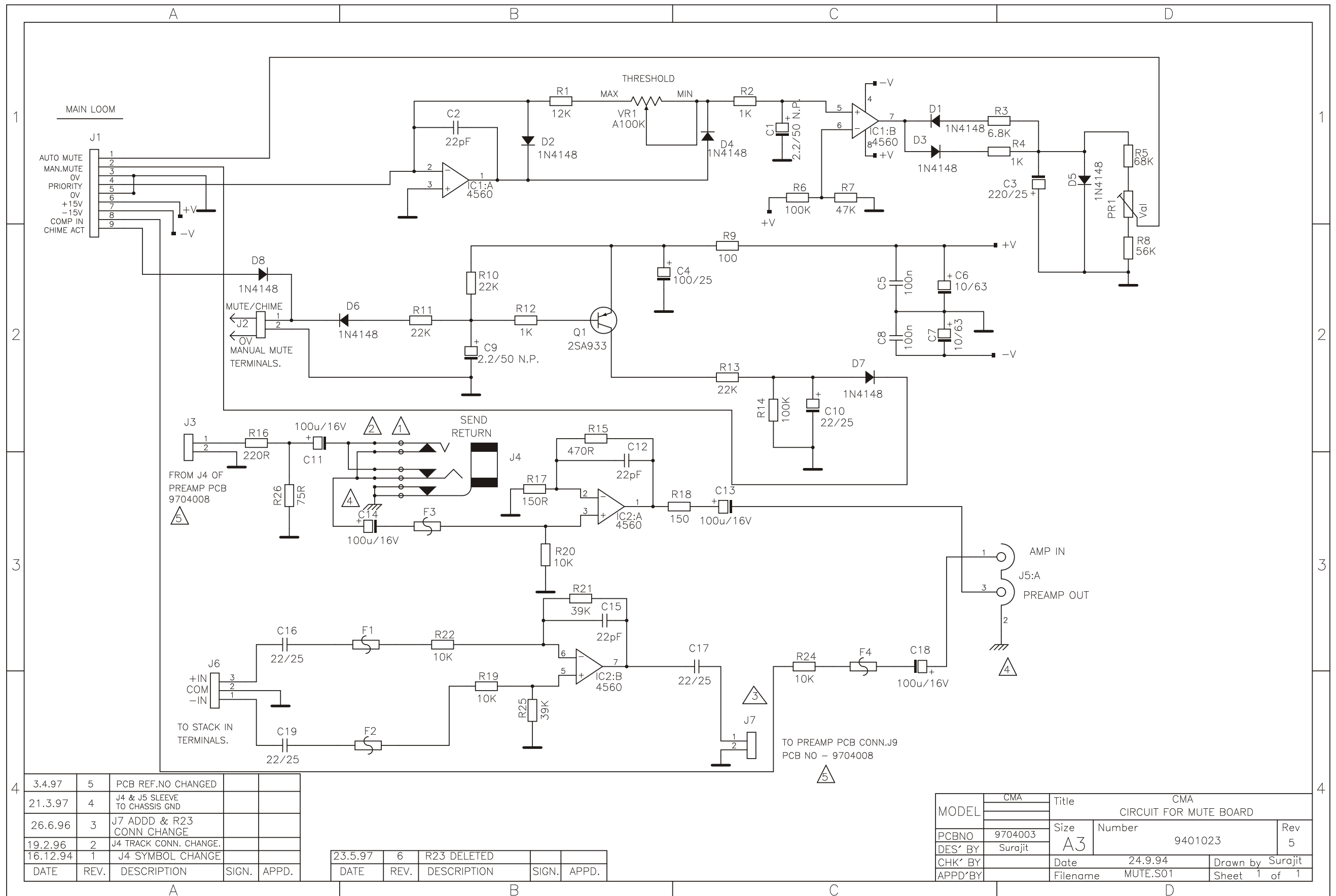


CMA MUTE PCB  
PCB SIZE = 70 x 60 mm  
PCB NO - 9704003-1  
DATE = 11.8.97  
DOUBLE SIDED PTH PCB

COMPONENT SIDE  
ARTWORK NO - 97057

1	11.8.97	VR1 DRILL CHANGED TO 1.2. ADDED 1 HOLE FOR AUTO INST.		
REV	DATE	DESCRIPTION	SIGN	APP'D
UNISOUND PVT.LTD. 17-A, SEEPZ, BOMBAY -96. INDIA				
VIEW	COMPONENT SIDE	TOP SIDE TRACK ARTWORK NO- 97056	MATL.	SCALE
MODEL	QTY/SET	BOTTOM SIDE TRACK ARTWORK NO- 97058	FR4	SIZE
CMA 350	1	COMPONENT SIDE ARTWORK NO- 97057	DOUBLE SIDED PTH PCB	1:1
		SOLDER MASK ARTWORK NO- 97059		A4
			SIZE - 70 x 60 mm	
		TITLE - MUTE PCB	PART NO - PCBUSX42	
			DRG. NO - 9704003 C	REV
		DATE - 2.4.97	DES' BY - Surajit	APP'D BY- [Signature]
				1

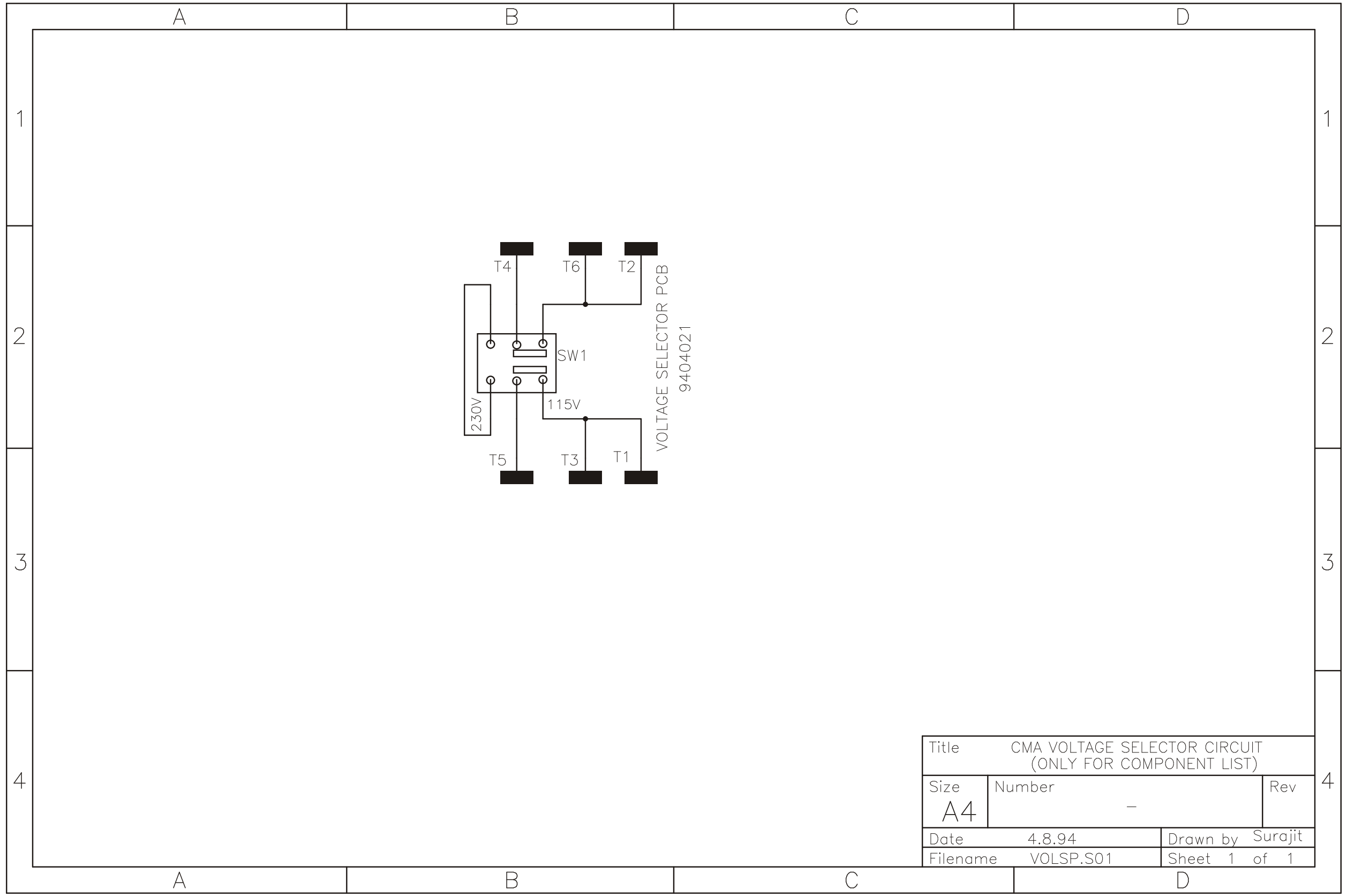




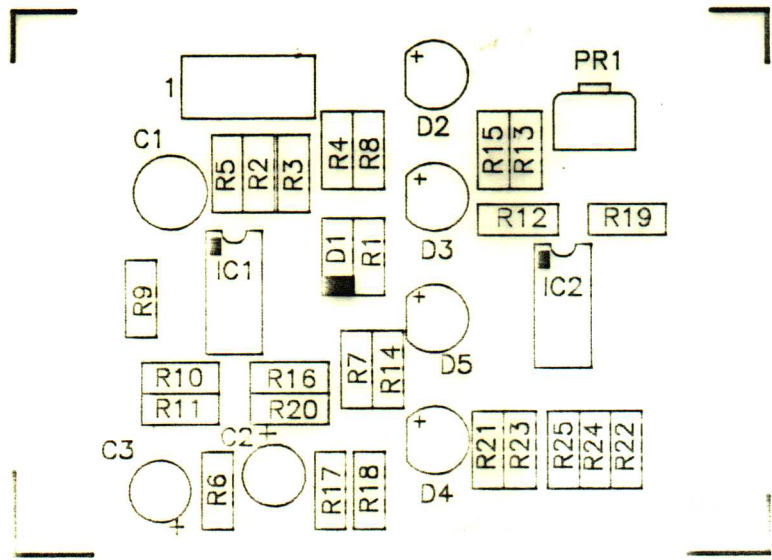
3.4.97	5	PCB REF.NO CHANGED		
21.3.97	4	J4 & J5 SLEEVE TO CHASSIS GND		
26.6.96	3	J7 ADDD & R23 CONN CHANGE		
19.2.96	2	J4 TRACK CONN. CHANGE.		
16.12.94	1	J4 SYMBOL CHANGE		
DATE	REV.	DESCRIPTION	SIGN.	APPD.

23.5.97	6	R23 DELETED		
DATE	REV.	DESCRIPTION	SIGN.	APPD.

MODEL	CMA	Title CMA		
		CIRCUIT FOR MUTE BOARD		
PCBNO	9704003	Size	Number	Rev
DES' BY	Surajit	A3	9401023	5
CHK' BY		Date	24.9.94	Drawn by Surajit
APPD'BY		Filename	MUTE.S01	Sheet 1 of 1



Title			CMA VOLTAGE SELECTOR CIRCUIT (ONLY FOR COMPONENT LIST)		
Size	Number	Rev		4	
A4	-				
Date	4.8.94	Drawn by		Surajit	
Filename	VOLSP.S01	Sheet		1 of 1	



**COMP.SIDE OF  
LED PCB**

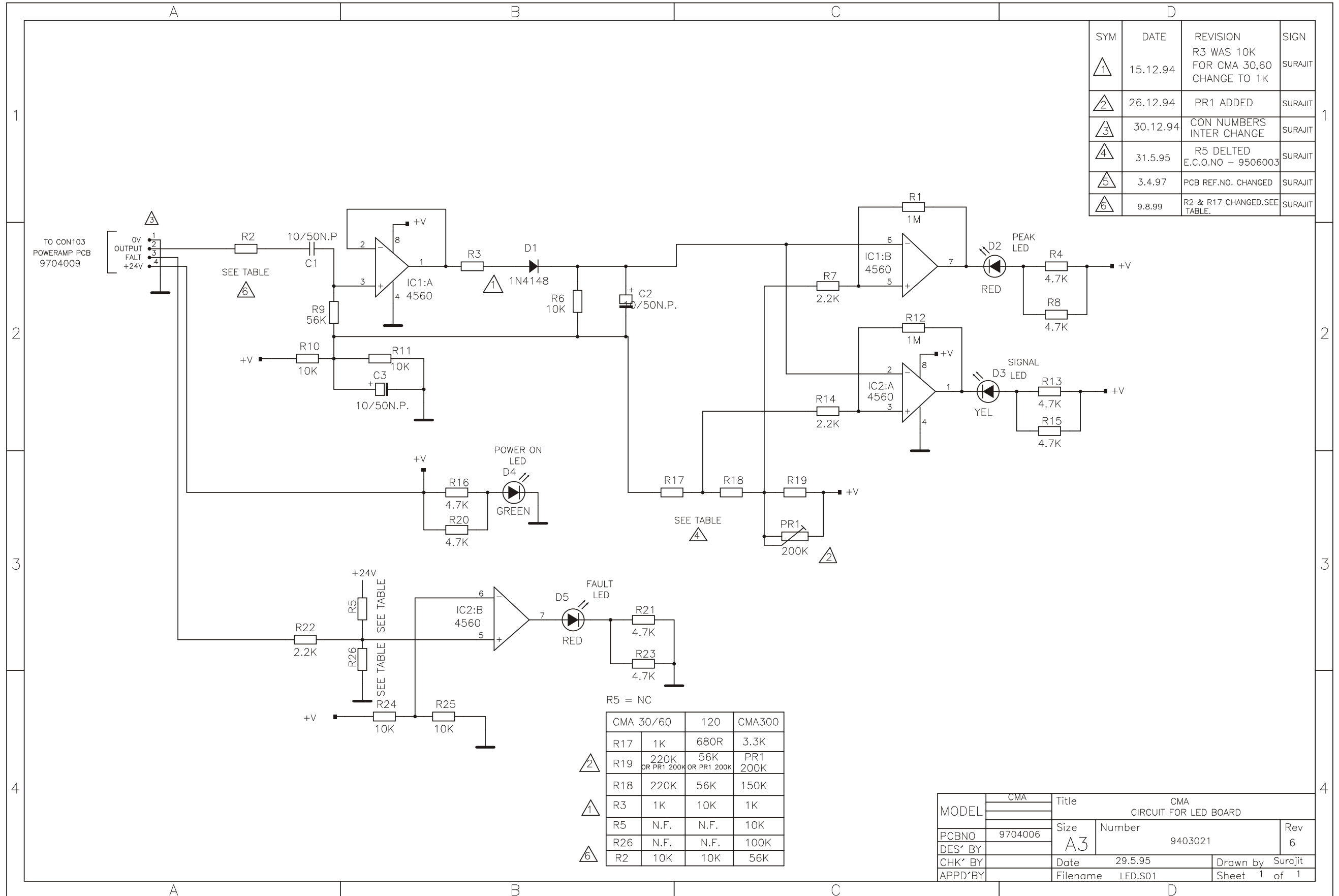
QTY./SET:- 1 NO./SET

**COMP. SIDE ARTWORK NO.:- 97077**

1		9/8/97	PR1 drill hole changed to 1.2mm and made horizontal provision	<i>[Signature]</i>
REV.	SYM.	DATE	DETAILS	SIGN

**UNISOUND PVT.LTD. 17-A, SEEPZ, BOMBAY-96, INDIA.**

TOP TRACK SIDE ART WORK NO.:- <b>97076</b>	PCB SIZE:-61x44mm	USED ON.
COMP SIDE ART WORK NO.:- -----	DATE:- 2-04-97	CMA
BOTTOM TRACK SIDE ART WORK NO.:- <b>97078</b>	MATERIAL:- FR-4,D/S,PTH.	
SOLDER MASK ART WORK NO.:- <b>97079</b>	DRN BY:- <i>[Signature]</i>	
FOR DRILLING DET. REF. DRG. NO.:- <b>9704006E</b>	APP'D BY:- <i>[Signature]</i>	
TITLE: <b>COMP. SIDE OF LED PCB (CMA)</b>	PART NO: <b>PCB US X72</b>	REV.
	DRG. NO: <b>9704006 B</b>	FORM <b>A4</b>



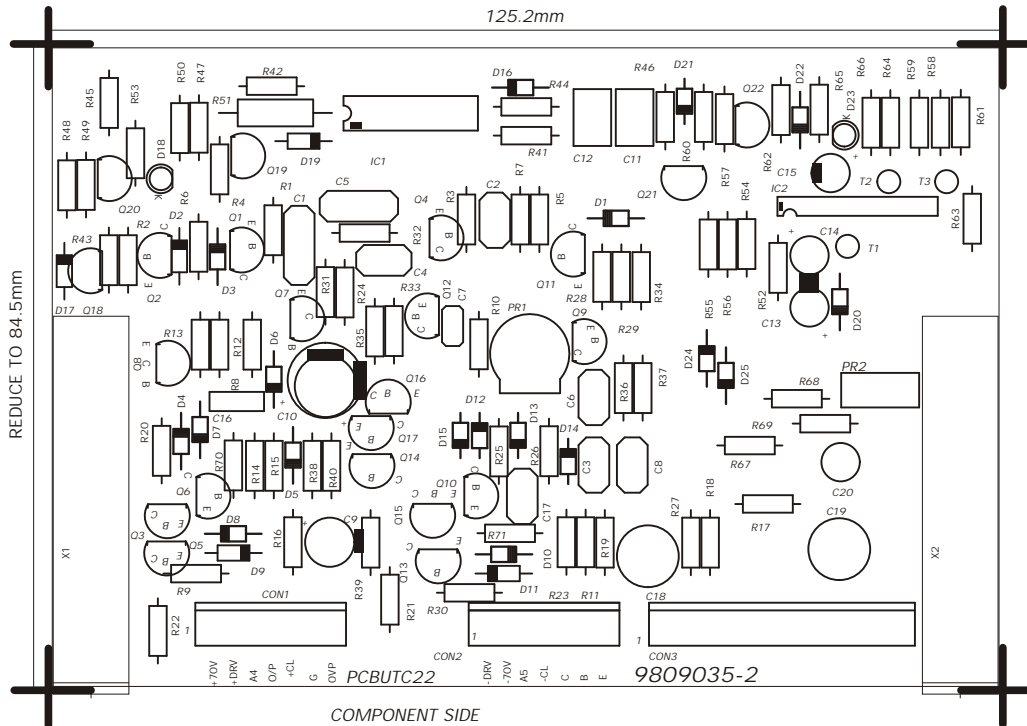
SYM	DATE	REVISION	SIGN
△1	15.12.94	R3 WAS 10K FOR CMA 30,60 CHANGE TO 1K	SURAJIT
△2	26.12.94	PR1 ADDED	SURAJIT
△3	30.12.94	CON NUMBERS INTER CHANGE	SURAJIT
△4	31.5.95	R5 DELTED E.C.O.NO - 9506003	SURAJIT
△5	3.4.97	PCB REF.NO. CHANGED	SURAJIT
△6	9.8.99	R2 & R17 CHANGED.SEE TABLE.	SURAJIT

R5 = NC

	CMA 30/60	120	CMA300
R17	1K	680R	3.3K
R19	220K OR PR1 200K	56K OR PR1 200K	PR1 200K
R18	220K	56K	150K
R3	1K	10K	1K
R5	N.F.	N.F.	10K
R26	N.F.	N.F.	100K
R2	10K	10K	56K

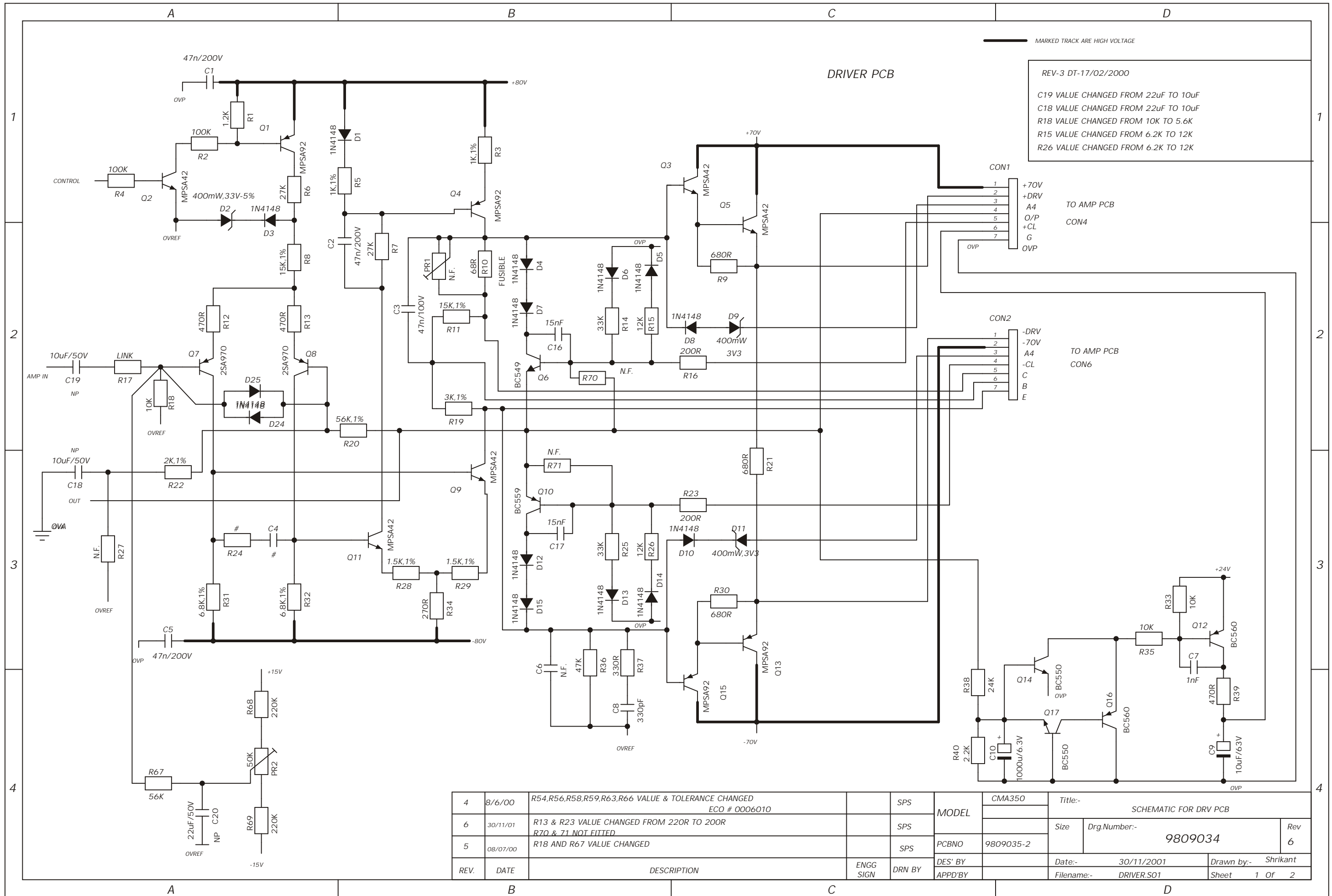
MODEL	CMA	Title		
		CMA CIRCUIT FOR LED BOARD		
PCBNO	9704006	Size	Number	Rev
DES' BY		A3	9403021	6
CHK' BY		Date	29.5.95	Drawn by
APPD'BY		Filename	LED.S01	Surajit
				Sheet 1 of 1

DATE:19/05/99  
FILE NAME:C:\PCB1\UNIV\MA350\DRIVER-2.PCB  
ALL DIM ARE IN MM  
PCB NO- 9809035-2  
MATERIAL:-FR4-D/S-PTH PCB SIZE:-125.2 x 84.5mm



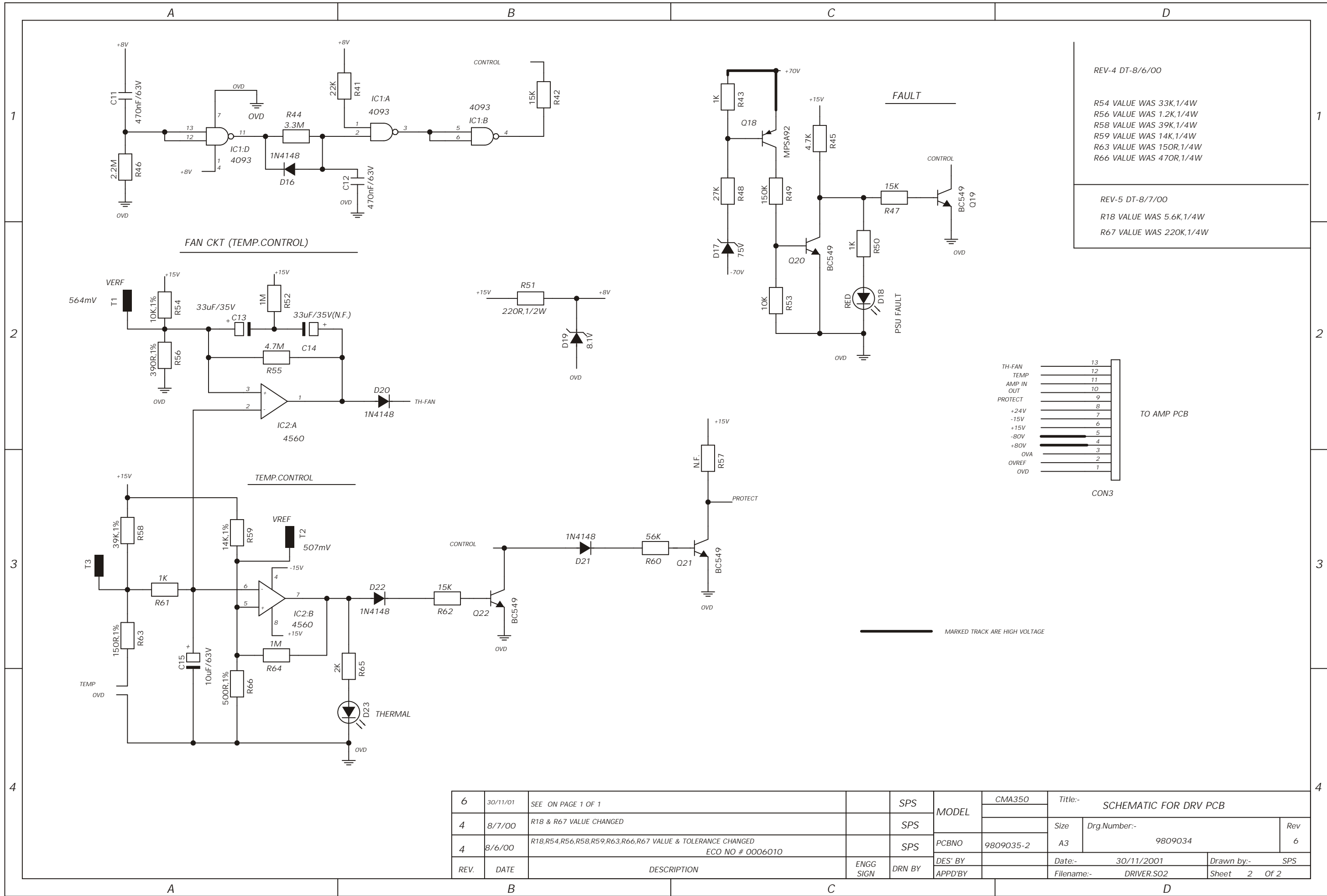
COMPONENT SIDE





REV-3 DT-17/02/2000  
 C19 VALUE CHANGED FROM 22uF TO 10uF  
 C18 VALUE CHANGED FROM 22uF TO 10uF  
 R18 VALUE CHANGED FROM 10K TO 5.6K  
 R15 VALUE CHANGED FROM 6.2K TO 12K  
 R26 VALUE CHANGED FROM 6.2K TO 12K

REV.	DATE	DESCRIPTION	ENGG SIGN	DRN BY	MODEL	PCBNO	DES' BY	APPD'BY	Date:-	Drawn by:-	Rev
4	8/6/00	R54,R56,R58,R59,R63,R66 VALUE & TOLERANCE CHANGED ECO # 0006010			SPS	CMA350			Title:- SCHEMATIC FOR DRV PCB		
6	30/11/01	R13 & R23 VALUE CHANGED FROM 220R TO 200R R70 & 71 NOT FITTED			SPS				Size	Drg.Number:-	Rev
5	08/07/00	R18 AND R67 VALUE CHANGED			SPS	9809035-2				9809034	6
									Date:- 30/11/2001	Drawn by:- Shrikant	
									Filename:- DRIVER.S01	Sheet 1 Of 2	



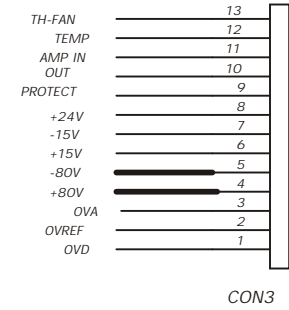
REV-4 DT-8/6/00

R54 VALUE WAS 33K,1/4W  
 R56 VALUE WAS 1.2K,1/4W  
 R58 VALUE WAS 39K,1/4W  
 R59 VALUE WAS 14K,1/4W  
 R63 VALUE WAS 150R,1/4W  
 R66 VALUE WAS 470R,1/4W

---

REV-5 DT-8/7/00

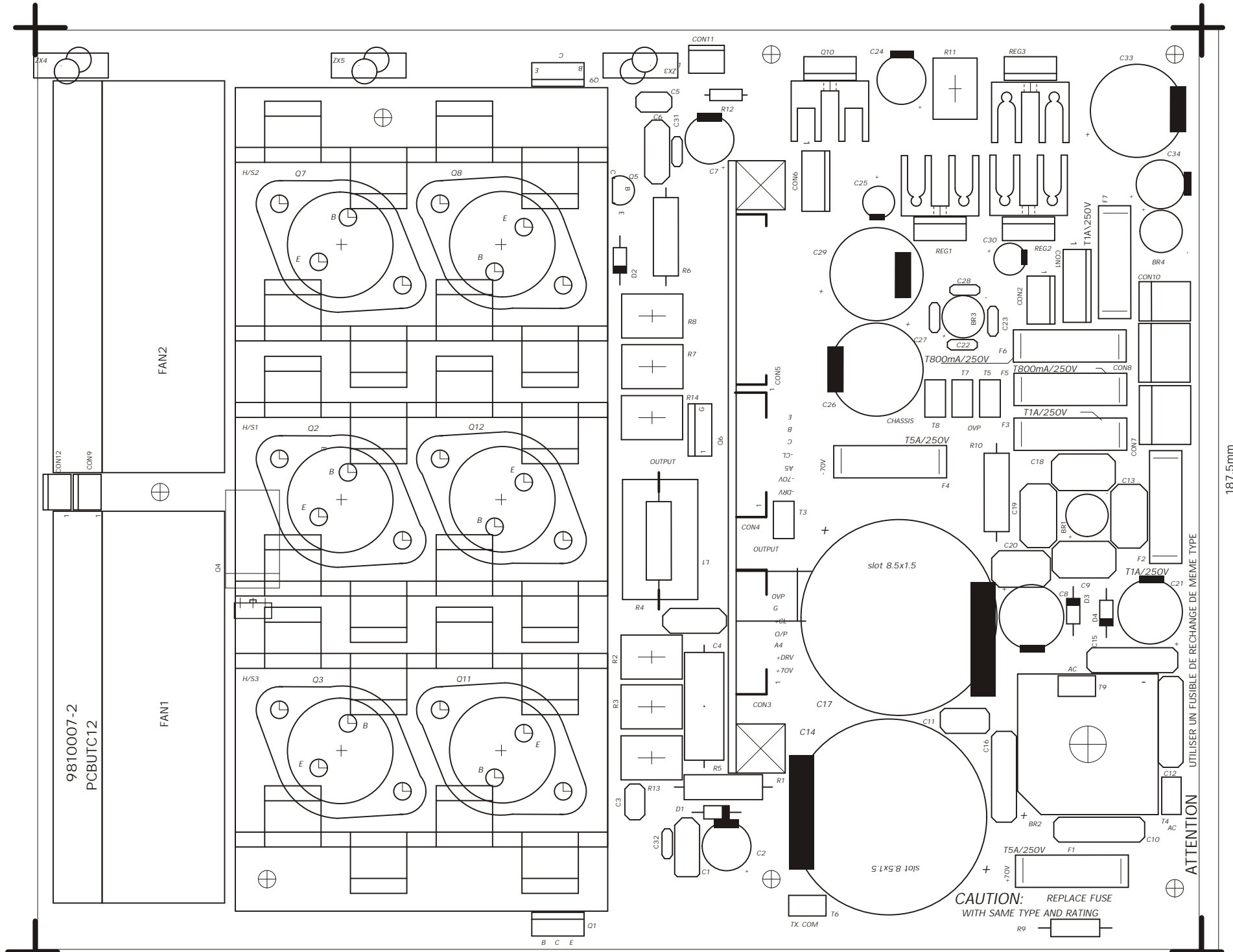
R18 VALUE WAS 5.6K,1/4W  
 R67 VALUE WAS 220K,1/4W



TO AMP PCB

MARKED TRACK ARE HIGH VOLTAGE

6	30/11/01	SEE ON PAGE 1 OF 1		SPS	MODEL	CMA350	Title:- SCHEMATIC FOR DRV PCB		
4	8/7/00	R18 & R67 VALUE CHANGED		SPS			Size	Drg.Number:-	Rev
4	8/6/00	R18,R54,R56,R58,R59,R63,R66,R67 VALUE & TOLERANCE CHANGED ECO NO # 0006010		SPS	PCBNO	9809035-2	A3	9809034	6
REV.	DATE	DESCRIPTION	ENGG SIGN	DRN BY	DES' BY	Date:-	30/11/2001	Drawn by:-	SPS
					APPD'BY	Filename:-	DRIVER.S02	Sheet	2 Of 2



9810007-2  
PCBUTC12

FAN2

FAN1

CAUTION: REPLACE FUSE WITH SAME TYPE AND RATING

ATTENTION UTILISER UN FUSIBLE DE RECHANGE DE MEME TYPE

187,5mm

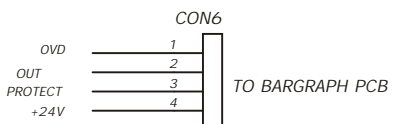
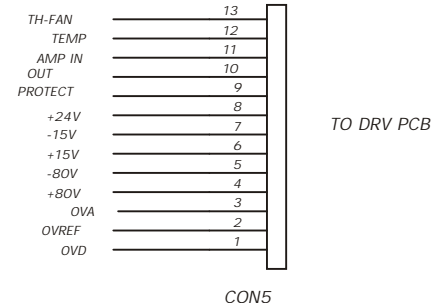
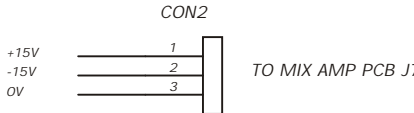
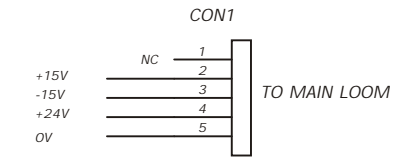
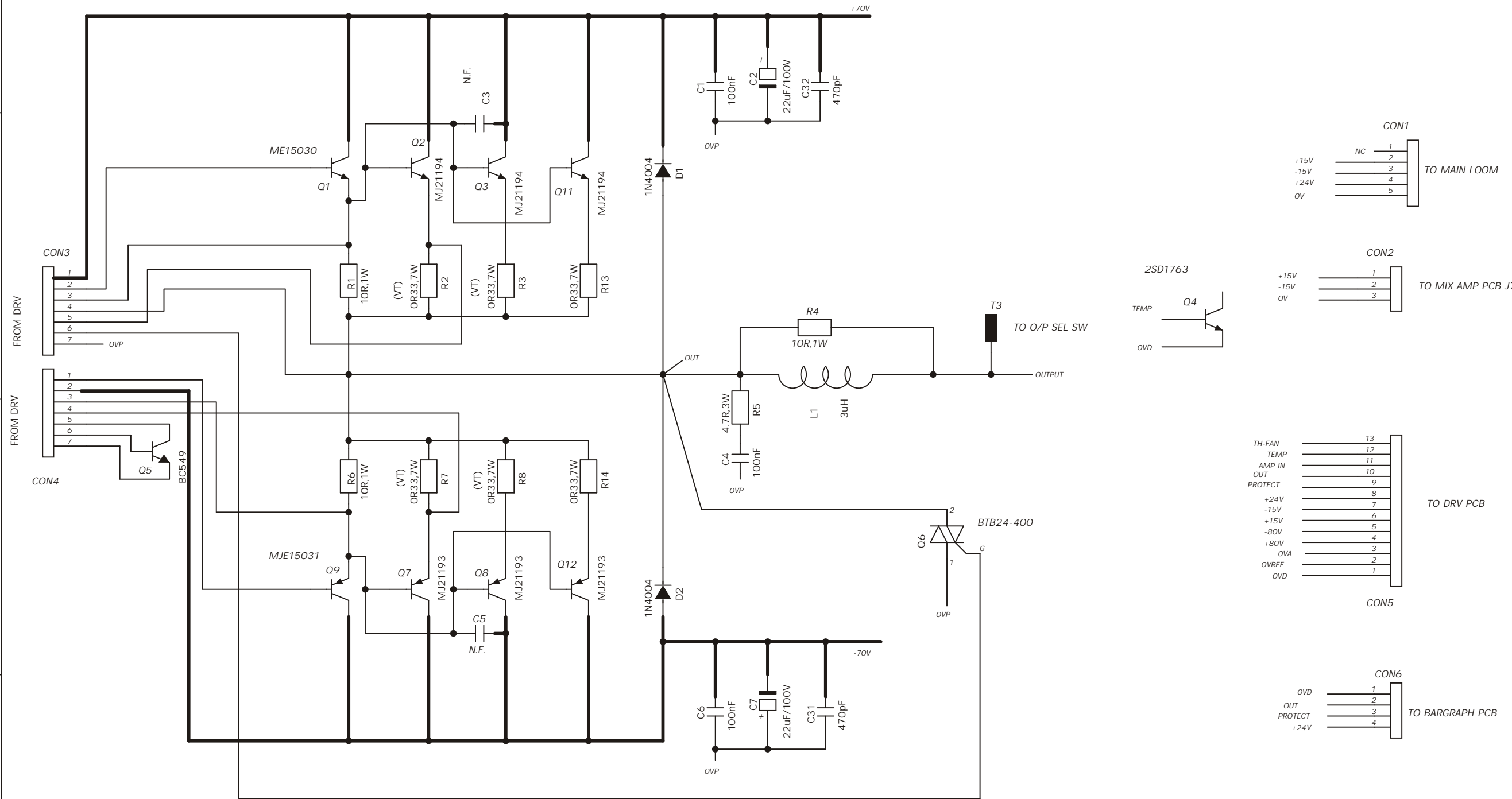
FILE NAME: C:\PCB1\UNI\CMA350\MAINAMP5.PCB  
ALL DIM ARE IN MM DATE: 24/07/00  
PCB NO-9810007-2  
MATERIAL:-FR4-D/S-PTH PCB SIZE:- 237 x 187.5 mm

COMPONENT SIDE

REDUCE TO 237 mm

POWER AMPLIFIER

MARKED TRACK ARE HIGH VOLTAGE



						CMA-350	Title:- SCHEMATIC FOR AMP PCB		
3	30/11/01	Q2,Q3 & Q11 TRANSISTOR TYPE CHANGE FROM MJ15022 TO MJ21194 Q7,Q8 & Q12 TRANSISTOR TYPE CHANGE FROM MJ15023 TO MJ21193		SPS	MODEL		Size	Drq.Number:- 9810008	Rev 3
2	17/02/2000	Q1 CHANGED FROM 2SC4793 TO MJ15030 AND Q9 FROM 2SA1837 TO MJE15031		SPS	PCBNO	9810007	Date:- 30/11/01	Drawn by:- Shrikant	
REV.	DATE	DESCRIPTION	ENGG SIGN	DRN BY	DES' BY		Filename:- AMP.S01	Sheet 1 Of 2	

A B C D

1

1

2

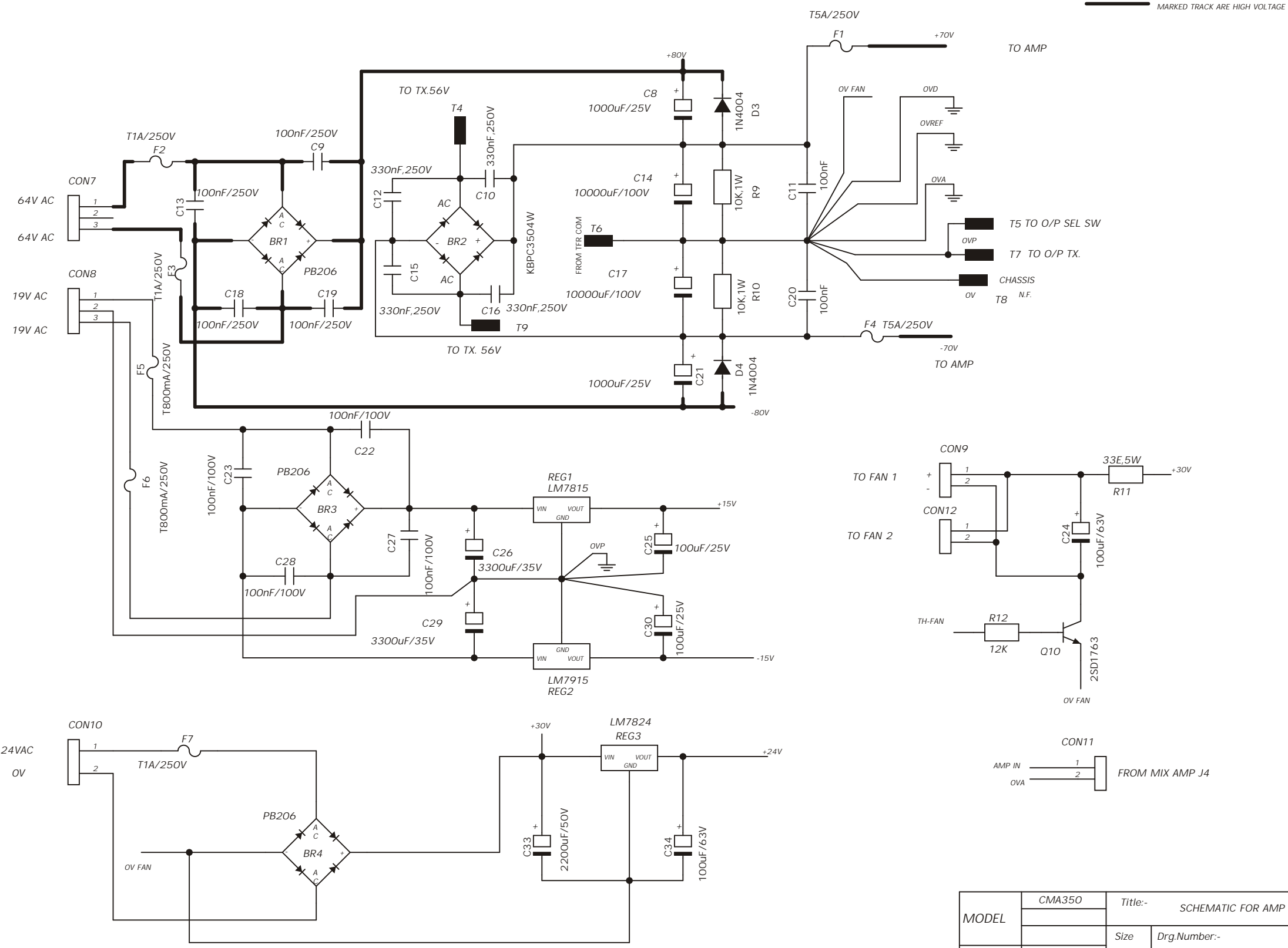
2

3

3

4

4



MODEL	CMA350	Title:- SCHEMATIC FOR AMP PCB		
PCBNO	9810007	Size	Drq.Number:- 9810008	Rev 3
DES' BY		Date:- 30/11/01	Drawn by:- Shrikant	
APPD'BY		Filename:- AMP.SO2	Sheet 2 Of 2	