

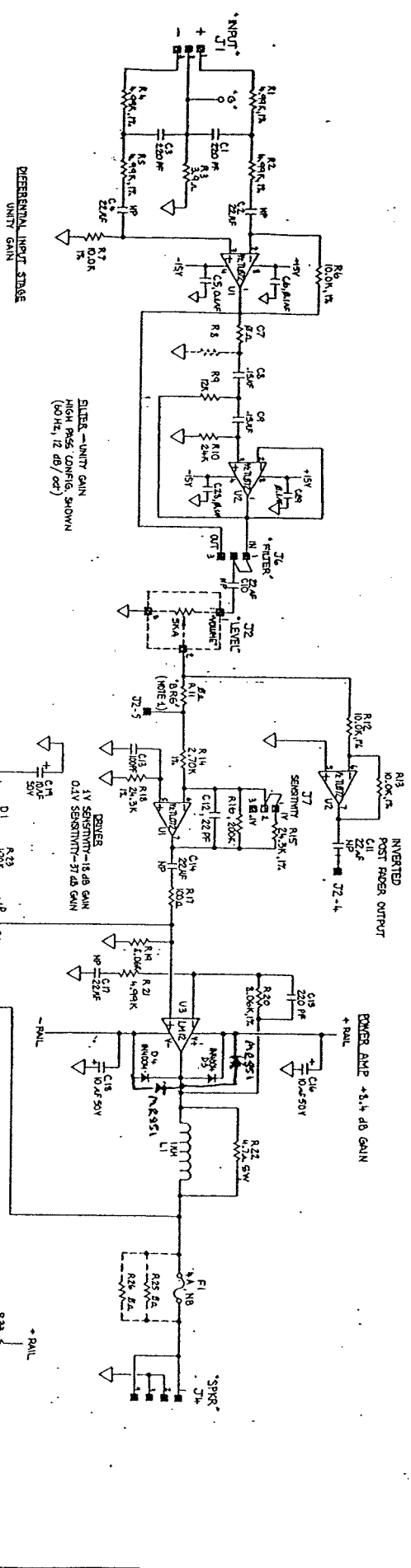
**D60
&
CPA 130
Schematic**

B I A M P[®]

S Y S T E M S

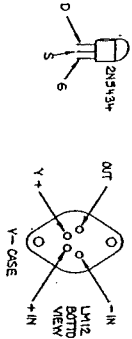
10074 SW Arctic Drive Beaverton, OR 97005 503-641-7287

NOTES:
 1. THIS SCHEMATIC IS FOR THE 060 POWER AMPLIFIER.
 2. THE 060 POWER AMPLIFIER IS A STEREO AMPLIFIER.
 3. THE 060 POWER AMPLIFIER IS A STEREO AMPLIFIER.
 4. THE 060 POWER AMPLIFIER IS A STEREO AMPLIFIER.



NOTE 1. RESISTOR R11 NOT INSTALLED ON UNITS WHICH SUPPORT MONO - BRIDGE OPERATION.

- LAST
- R 10
- C 31
- D 9
- T 7
- L 1



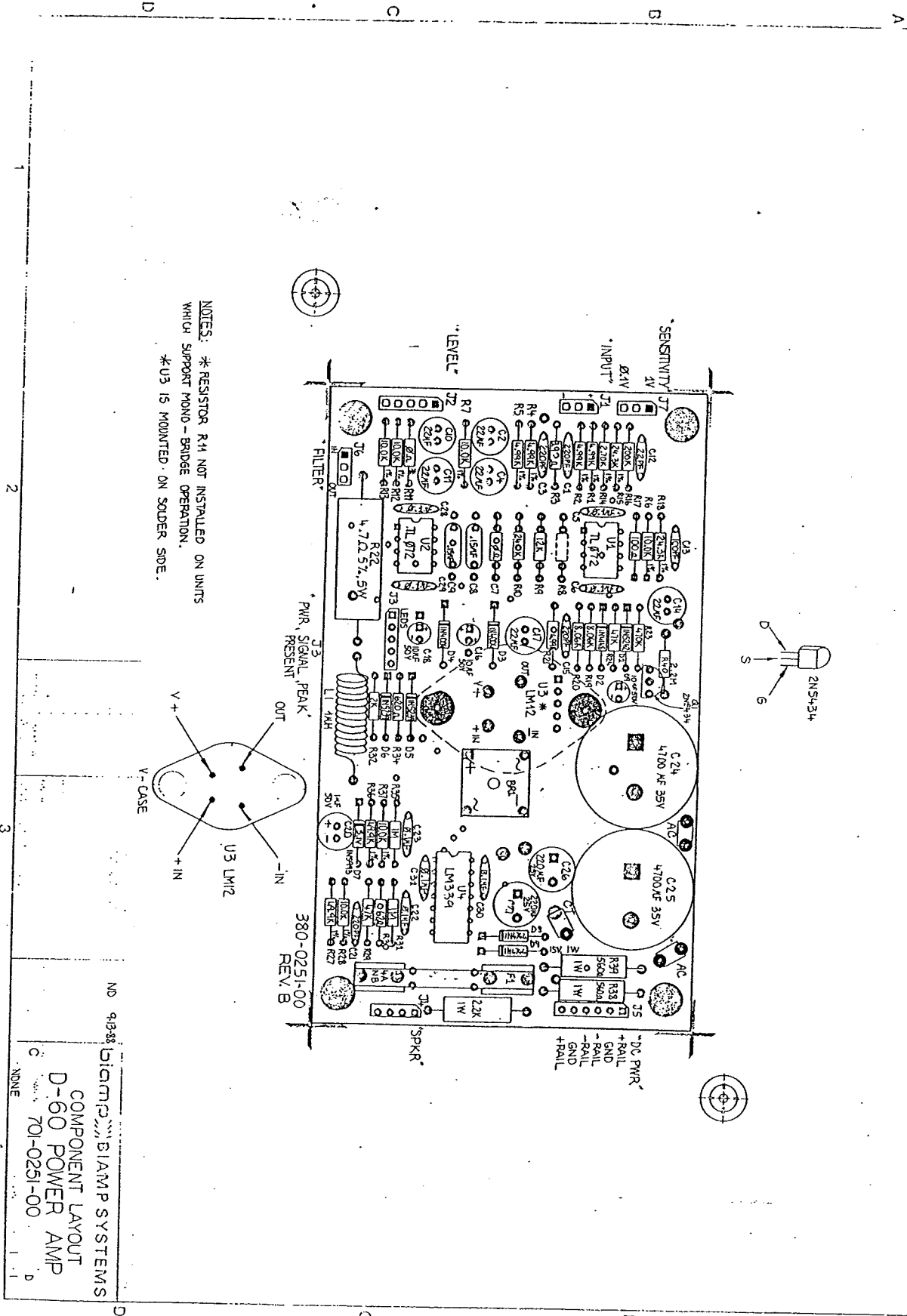
MODEL	060
REVISION	1
DATE	10/1/70
DESIGNED BY	J. W. HARRIS
CHECKED BY	J. W. HARRIS
APPROVED BY	J. W. HARRIS
DATE	10/1/70
DESIGNED BY	J. W. HARRIS
CHECKED BY	J. W. HARRIS
APPROVED BY	J. W. HARRIS
DATE	10/1/70
DESIGNED BY	J. W. HARRIS
CHECKED BY	J. W. HARRIS
APPROVED BY	J. W. HARRIS
DATE	10/1/70
DESIGNED BY	J. W. HARRIS
CHECKED BY	J. W. HARRIS
APPROVED BY	J. W. HARRIS
DATE	10/1/70
DESIGNED BY	J. W. HARRIS
CHECKED BY	J. W. HARRIS
APPROVED BY	J. W. HARRIS
DATE	10/1/70

blampk
 BLAMP SYSTEMS, INC.
 6600 W. 10TH AVENUE
 DENVER, CO 80202
 700-0251-00

A B C D E F G H



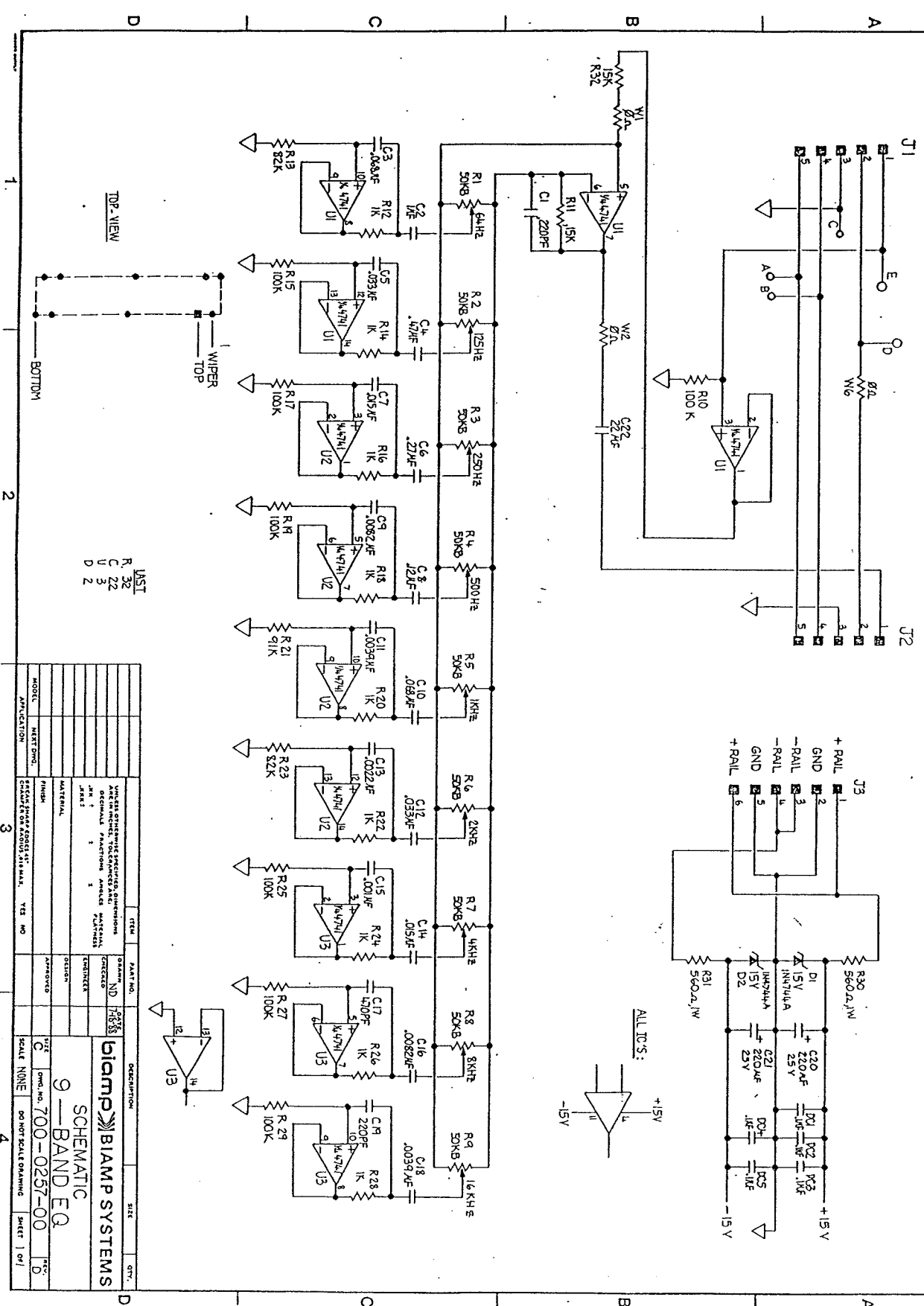
A	315-88	REV A FILM: ALSO ADDED R10	10-19-88	ND
B	365-89	REMOVED HEATSINK FROM BR1	3-7-89	ND
C	073-89	380-0251-00 REV B FILM	3-17-89	ND
D	014-90	CHGD SPRK FUSE TO 1/4A	1-17-90	ND



NOTES: * RESISTOR R14 NOT INSTALLED ON UNITS WHICH SUPPORT MONO-BRIDGE OPERATION.
* U3 IS MOUNTED ON SOLDER SIDE.

NO 41338 BIACTIC BIAMP SYSTEMS
COMPONENT LAYOUT
D-60 POWER AMP
701-0251-00
NONE

THE ASSUMES IN THE SPECIFICATIONS OF THIS DRAWING, AND THE USE OF THE SYMBOLS AND NOTATION IN THE DRAWING, ARE SUBJECT TO THE ASSUMPTIONS AND NOTATION IN THE DRAWING. THE ASSUMPTIONS AND NOTATION ARE SUBJECT TO THE ASSUMPTIONS AND NOTATION IN THE DRAWING. THE ASSUMPTIONS AND NOTATION ARE SUBJECT TO THE ASSUMPTIONS AND NOTATION IN THE DRAWING.



TOP VIEW

WIPER
TOP
BOTTOM

LAST
R, 32
C, 22
D, 3
Z

REV.	DATE	DESCRIPTION	BY
C	3/17/88	ADDED C22, SWITCHED TO J2.	ND
D	3/28/88	ADDED W6 - REV. B FILM.	ND

REV.	DATE	DESCRIPTION	BY
C	3/17/88	ADDED C22, SWITCHED TO J2.	ND
D	3/28/88	ADDED W6 - REV. B FILM.	ND

REV.	DATE	DESCRIPTION	BY
C	3/17/88	ADDED C22, SWITCHED TO J2.	ND
D	3/28/88	ADDED W6 - REV. B FILM.	ND

REV.	DATE	DESCRIPTION	BY
C	3/17/88	ADDED C22, SWITCHED TO J2.	ND
D	3/28/88	ADDED W6 - REV. B FILM.	ND

REV.	DATE	DESCRIPTION	BY
C	3/17/88	ADDED C22, SWITCHED TO J2.	ND
D	3/28/88	ADDED W6 - REV. B FILM.	ND

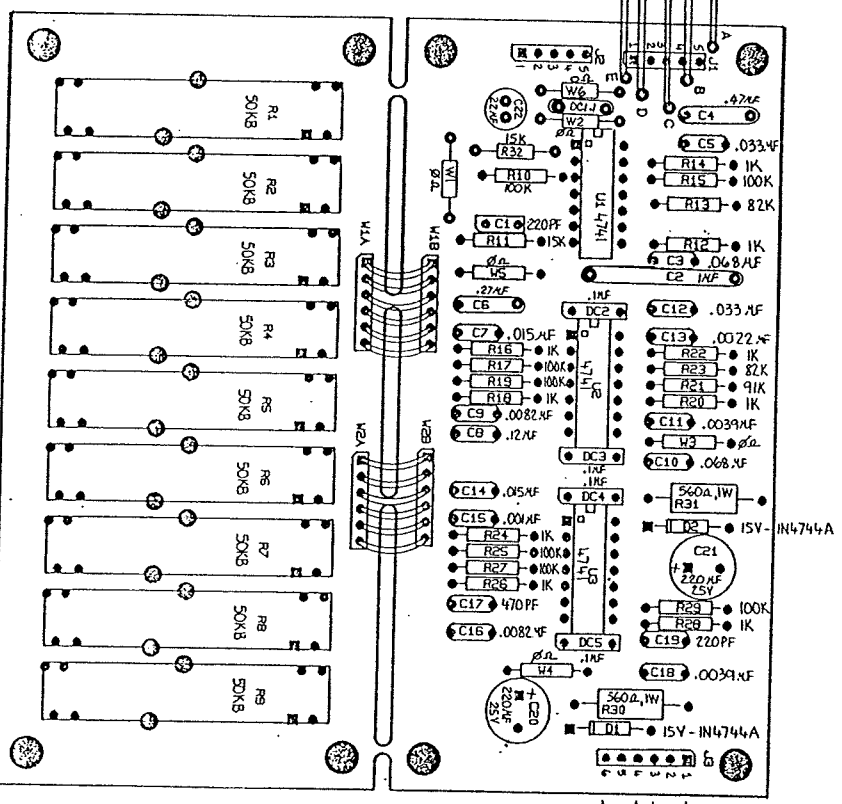
REV.	DATE	DESCRIPTION	BY
C	3/17/88	ADDED C22, SWITCHED TO J2.	ND
D	3/28/88	ADDED W6 - REV. B FILM.	ND

BIAMP SYSTEMS
SCHEMATIC
9-BAND EQ

REV.	DATE	DESCRIPTION	BY
C	3/17/88	ADDED C22, SWITCHED TO J2.	ND
D	3/28/88	ADDED W6 - REV. B FILM.	ND

1-15-78
 1. The purpose of this drawing is to provide the manufacturer of the component with the information necessary to fabricate the component to the specifications shown on this drawing.
 2. The manufacturer of the component shall be responsible for providing the manufacturer of the component with the information necessary to fabricate the component to the specifications shown on this drawing.
 3. The manufacturer of the component shall be responsible for providing the manufacturer of the component with the information necessary to fabricate the component to the specifications shown on this drawing.
 4. The manufacturer of the component shall be responsible for providing the manufacturer of the component with the information necessary to fabricate the component to the specifications shown on this drawing.

WIRE	DESCRIPTION	PART NUMBER
A	22 GA ORANGE 14.5"	425-0103-00
B		
C		
D		
E	22 GA BLACK 14.5"	425-0104-00

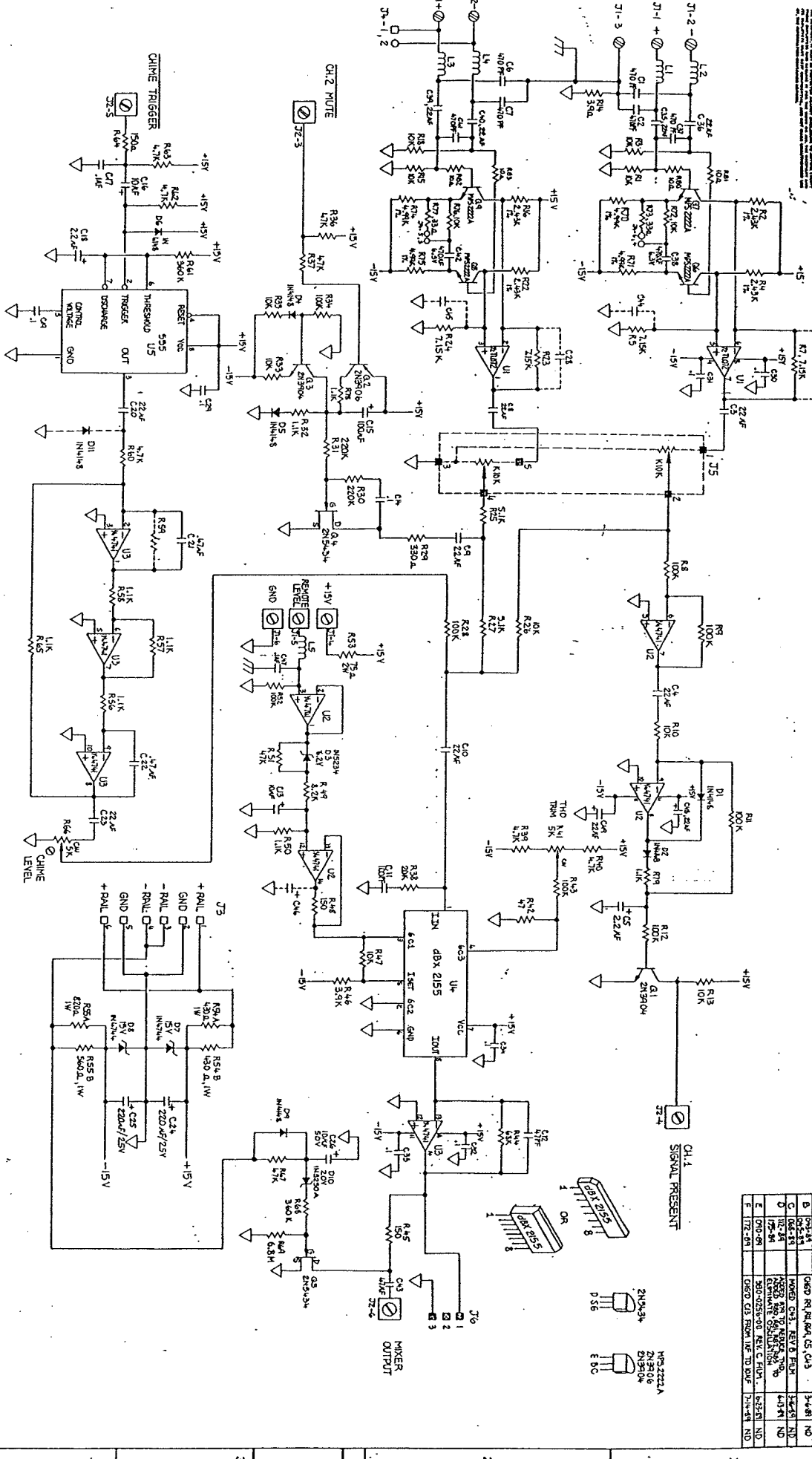


380-0257-00 REV. B

REV	DESCRIPTION	DATE	BY
C	37-88	ADDED C22 W/ WZ	10/24/88 ND
D	328-88	ADDED W/6, REV. B FULM	11-2-88 ND
E	329-88	CHG'D WIRES FROM 4" TO 4.5"	11-5-88 ND

ND 9468
 BIAMP SYSTEMS
 COMPONENT LAYOUT
 9-BAND EQ
 Part No 701-0257-00
 2X
 ALL DIMENSIONS IN INCHES UNLESS NOTED OTHERWISE

THIS SCHEMATIC IS THE PROPERTY OF BILMAPK SYSTEMS, INC. IT IS TO BE USED ONLY FOR THE EQUIPMENT SPECIFICALLY IDENTIFIED HEREON. IT IS NOT TO BE REPRODUCED OR TRANSMITTED IN ANY FORM OR BY ANY MEANS, ELECTRONIC OR MECHANICAL, INCLUDING PHOTOCOPYING, RECORDING, OR BY ANY INFORMATION STORAGE AND RETRIEVAL SYSTEM, WITHOUT THE WRITTEN PERMISSION OF BILMAPK SYSTEMS, INC.

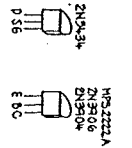
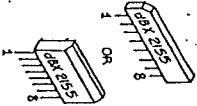


LAST
R 33
C 49
R 11
Q 4
L 5

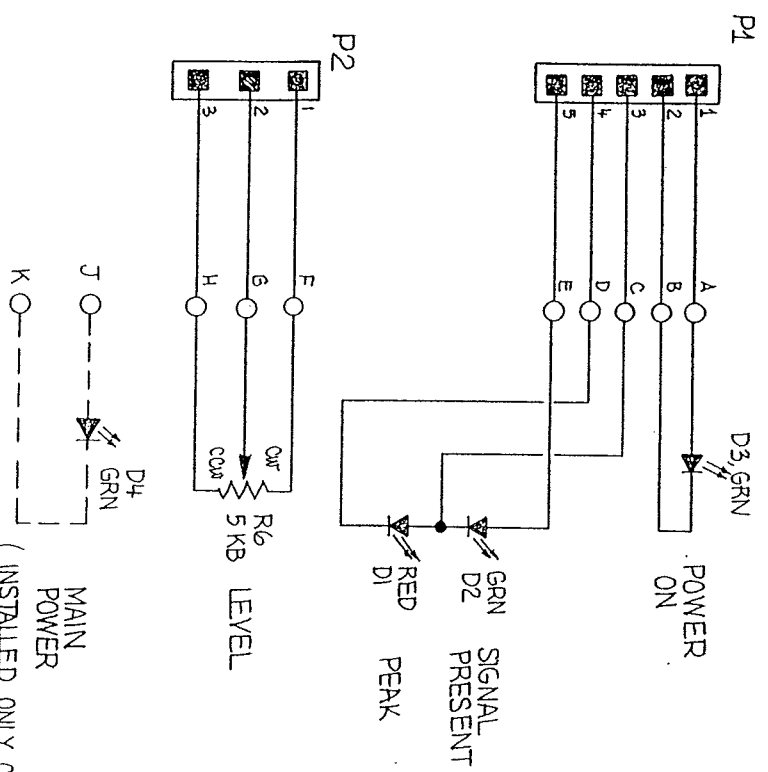
A B C D E F G H

NO. 6231		BILMAPK SYSTEMS, INC.	
REV. 1		10/1/88	
TITLE		SCHEMATIC	
PART NO.		D-60 MIXER	
DRAWN BY		700-0286-00	
CHECKED BY			
APPROVED BY			
DATE			
SHEET NO.		1 OF 1	

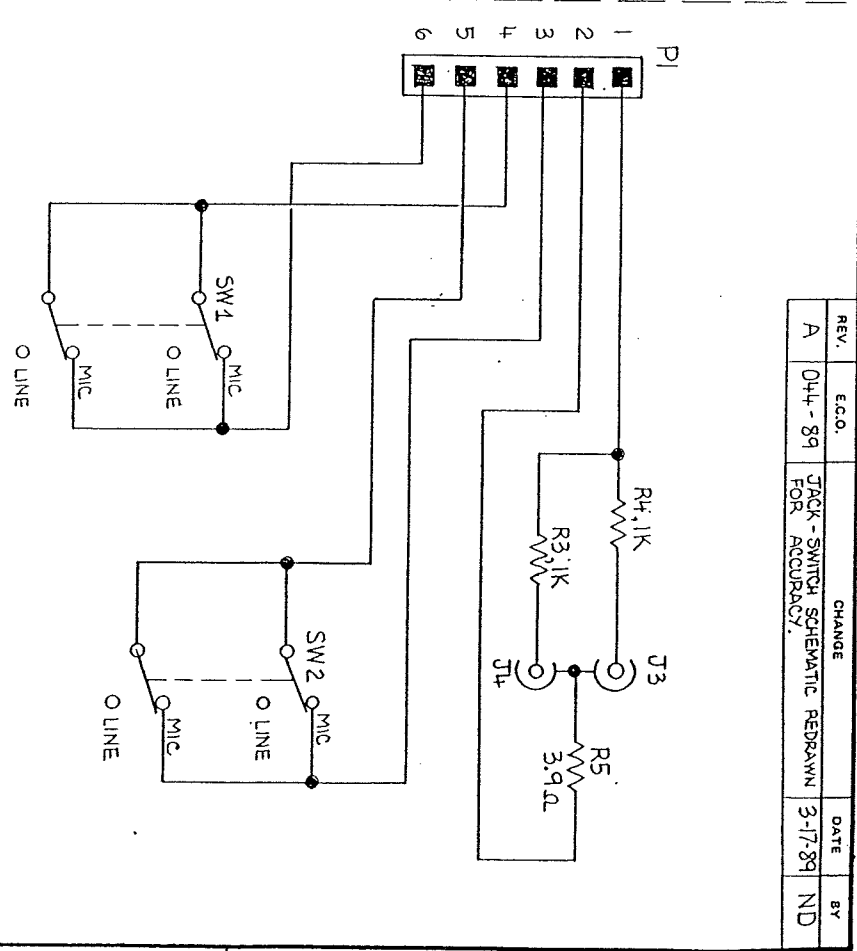
B	100-14	1000 RI 50K 0.5%	100-14	NO
C	100-14	1000 RI 50K 0.5%	100-14	NO
D	100-14	1000 RI 50K 0.5%	100-14	NO
E	100-14	1000 RI 50K 0.5%	100-14	NO
F	100-14	1000 RI 50K 0.5%	100-14	NO



THIS DRAWING IS THE PROPERTY OF BIAMP SYSTEMS, AND MUST BE RETURNED TO THE DRAWING OFFICE ON REQUEST, WHILE IN THE POSSESSION OF THE RECIPIENT. IT MUST BE PROTECTED AGAINST UNAUTHORIZED USE BY THOSE EMPLOYEES WHO REQUIRE IT FOR THE WORK OR JOB. THE RECIPIENT AND ITS EMPLOYEES MUST KEEP CONFIDENTIAL, AND NOT MAKE UNAUTHORIZED USE OF THE INFORMATION CONTAINED HEREON.



(INSTALLED ONLY ON CHANNEL 4 OF 4 CHANNEL UNIT.)



REV.	ECO.	CHANGE	DATE	BY
A	044-89	JACK - SWITCH SCHEMATIC REDRAWN FOR ACCURACY.	3-17-89	ND

700 - 0260-00		700 - 0260 - 00 (D60 L.P.)		REV. A
D60 LED POT P.C.B.		700 - 0261 - 00 (D60M J.S.W.)		REV. A
D-60 LED POT P.C.B.		D-60M JACK SWITCH P.C.B.		
UNLESS OTHERWISE SPECIFIED, DIMENSIONS ARE IN INCHES. TOLERANCES ARE: DECIMALS FRACTIONS ANGLES MATERIAL FLATNESS		DRAWN ND		DATE 9-9-88
.XXX ±		CHECKED		
.XXX ±		ENGINEER		
MATERIAL		DESIGN		
FINISH		APPROVED		
BREAK SQUARE EDGES .5" CHAMFER OR FLARE .5" MAX.		SCALE NONE		DO NOT SCALE DRAWING
ITEM		PART NO.		SIZE
DESCRIPTION		QTY.		

700 - 0260-00
D60 LED POT P.C.B.

700 - 0261-00
D-60M JACK SWITCH P.C.B.

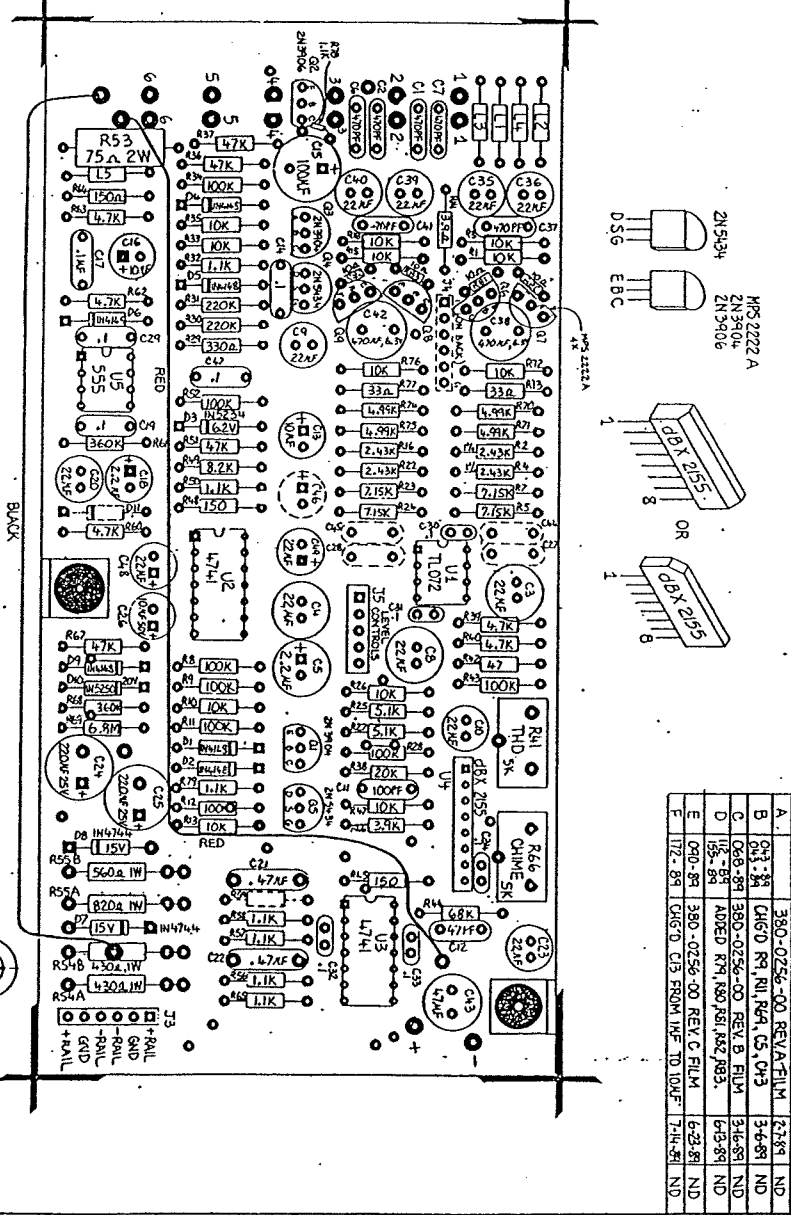
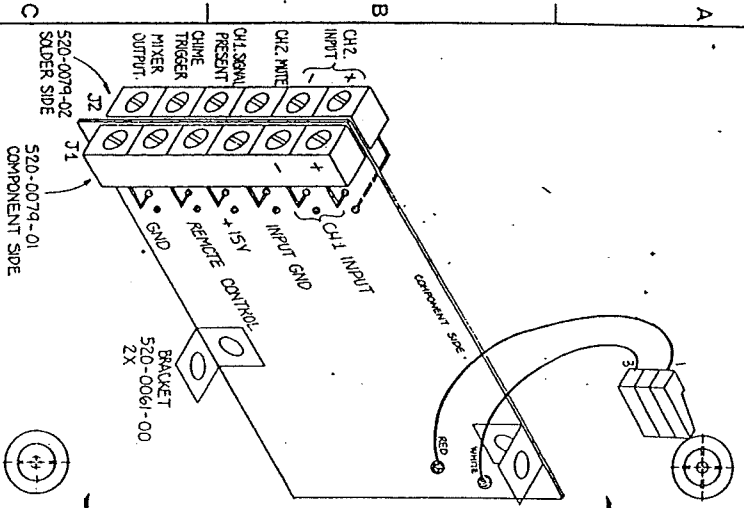
BIAMP SYSTEMS

SCHEMATIC DIAGRAM P.C.B.
D-60 LED POT & D-60M JACK SW

SIZE B DWG. NO. 700 - 0260 - 00 (D60 L.P.)
SCALE NONE DO NOT SCALE DRAWING SHEET 1 OF 1

2

THIS DRAWING IS THE PROPERTY OF BIAMP SYSTEMS, INC. IT IS TO BE USED ONLY FOR THE PROJECT AND QUANTITY SPECIFIED. IT IS NOT TO BE REPRODUCED, COPIED, OR TRANSMITTED IN ANY FORM OR BY ANY MEANS, ELECTRONIC OR MECHANICAL, INCLUDING PHOTOCOPYING, RECORDING, OR BY ANY INFORMATION STORAGE AND RETRIEVAL SYSTEM. BIAMP SYSTEMS, INC. 701 0256 00



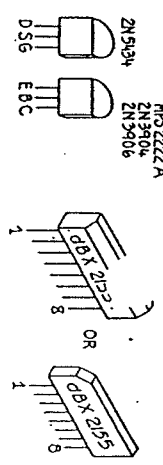
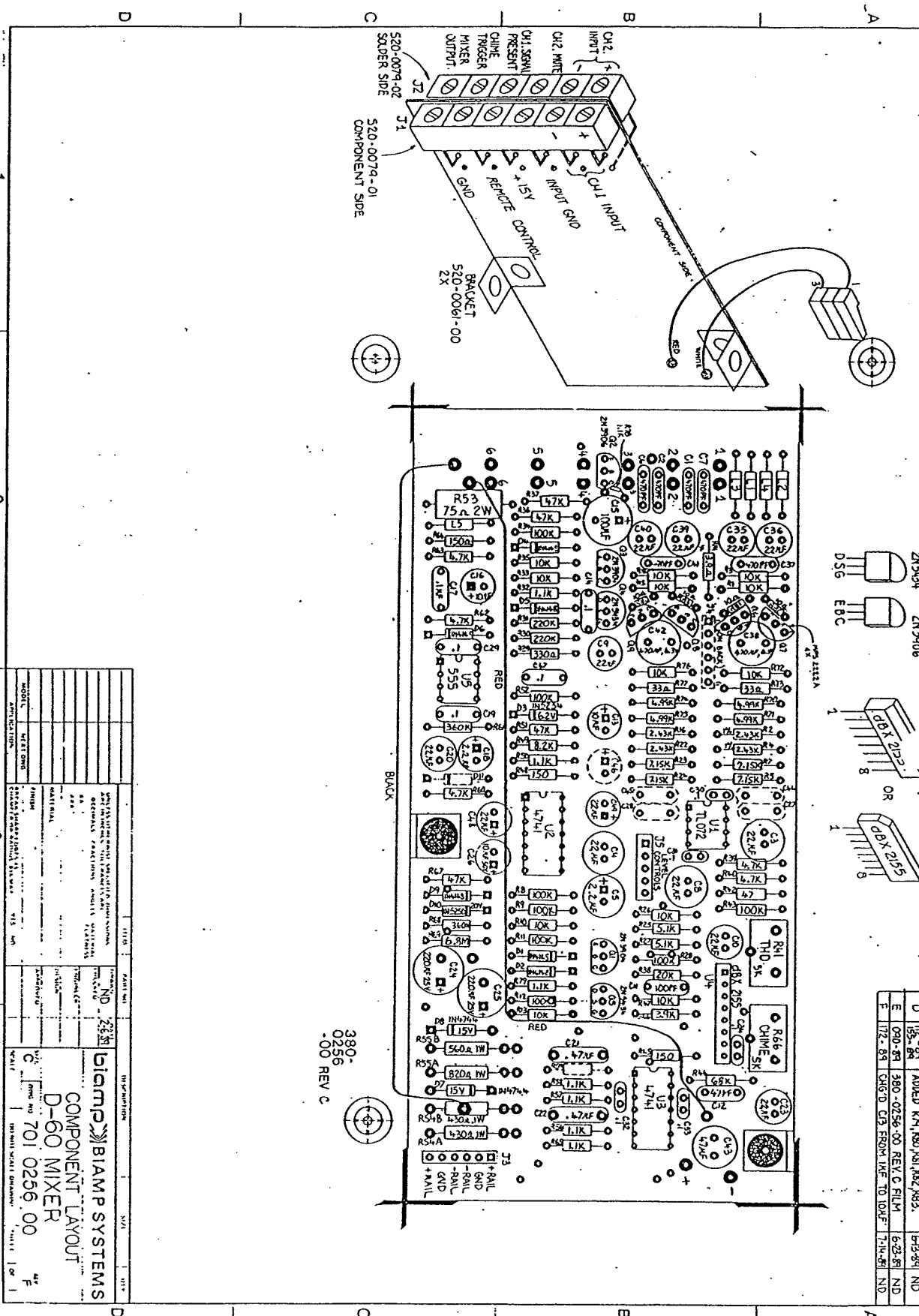
Part No.	Description	Quantity	Notes
A	380-0256-00 REV.A-FILM	2784	ND
B	041-88 CHG'D R91, R94, C5, C13	3468	ND
C	068-89 380-0256-00 REV. B, FILM	3468	ND
D	112-89 ADDED R91, R90, R91, R92, R93	6438	ND
E	090-89 380-0256-00 REV. C, FILM	6438	ND
F	112-89 CHG'D C13 FROM 100UF TO 100UF	7144	ND

380-0256-00 REV C

Model	Part No.	Rev.	Notes
MODEL	701 0256 00	ND	BIAMP SYSTEMS, INC.
DESCRIPTION	D-60 MIXER COMPONENT LAYOUT		
DATE	701 0256 00	ND	
DESIGNED BY			
CHECKED BY			
APPROVED BY			
DATE			

THE INFORMATION CONTAINED
 HEREIN IS UNCLASSIFIED
 DATE 08-29-2011 BY 60322
 AUTHORITY: 31 CFR 101-11.6

MILITARY AIRCRAFT EQUIPMENT, 72, AIRCRAFT ELECTRICAL
 AND MECHANICAL DRAWING
 72-0256-00 REV. B



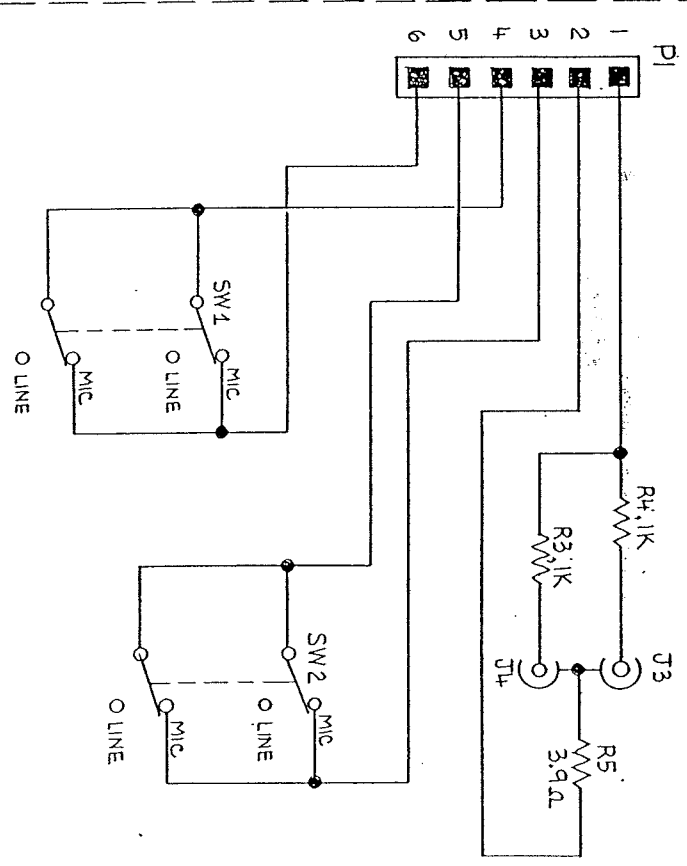
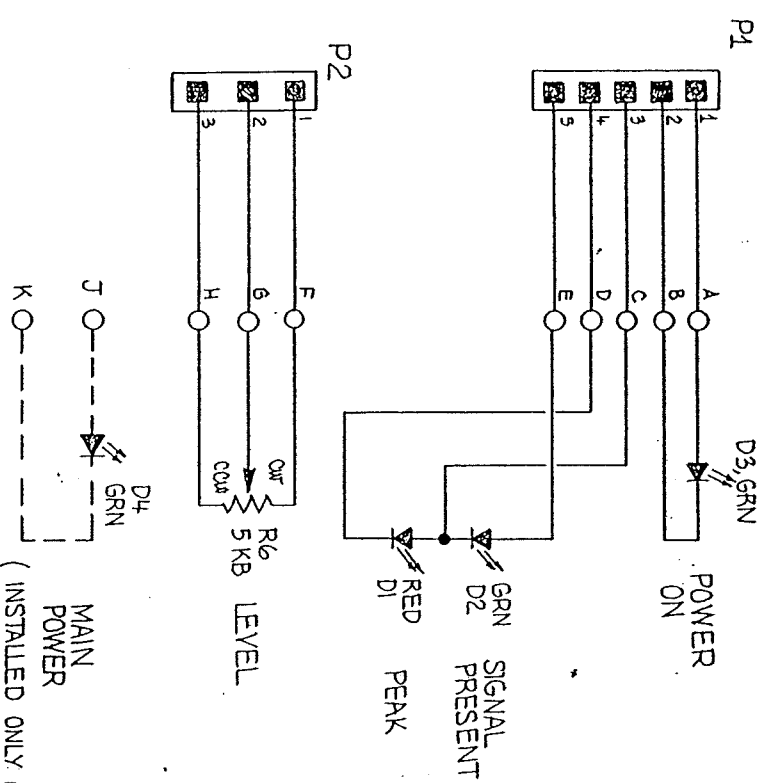
B	001-82	UNGD R4, R11, R44, C3, CH2	13-6-83	ND
C	085-83	380-0256-00 REV. B FILT	3-6-83	ND
D	15-84	ADDE R4, R40, R41, R42, R82	6-13-83	ND
E	020-83	380-0256-00 REV. C FILM	6-22-83	ND
F	172-83	CHGD C15 FROM 10UF TO 100UF	7-18-83	ND

380-
 0256
 -00 REV. C

INFORMATION ND 256 380-0256-00 D-60 MIXER COMPONENT LAYOUT 701 0256 00		DATE 1983	
DRAWN 10/11/83		CHECKED 10/11/83	
APPROVED 10/11/83		AUTHORITY 10/11/83	
PART NO. 380-0256-00		TITLE D-60 MIXER COMPONENT LAYOUT	
QTY. 1000		UNIT PCB	
MATERIAL FR-4		FINISH ENAMEL	
MFG. INSTRUCTIONS 1. ALL DIMENSIONS ARE IN INCHES UNLESS OTHERWISE SPECIFIED.		NOTES 1. ALL DIMENSIONS ARE IN INCHES UNLESS OTHERWISE SPECIFIED.	

1 2 3 4

THIS DRAWING IS THE PROPERTY OF BIAMP SYSTEMS, AND MUST BE RETURNED WITHOUT DUPLICATING AT ANY TIME, ON REQUEST, WHILE IN THE POSSESSION OF THE RECIPIENT. THE RECIPIENT AGREES TO HOLD BIAMP SYSTEMS HARMLESS FROM AND TO INDEMNIFY BIAMP SYSTEMS FROM AND AGAINST ALL SUCH EMPLOYEES WHO REQUIRE IT FOR THE WORK ON JOB. THE RECIPIENT AND ITS EMPLOYEES MUST KEEP CONFIDENTIAL, AND NOT MAKE UNAUTHORIZED USE OF THE INFORMATION CONTAINED HEREON.



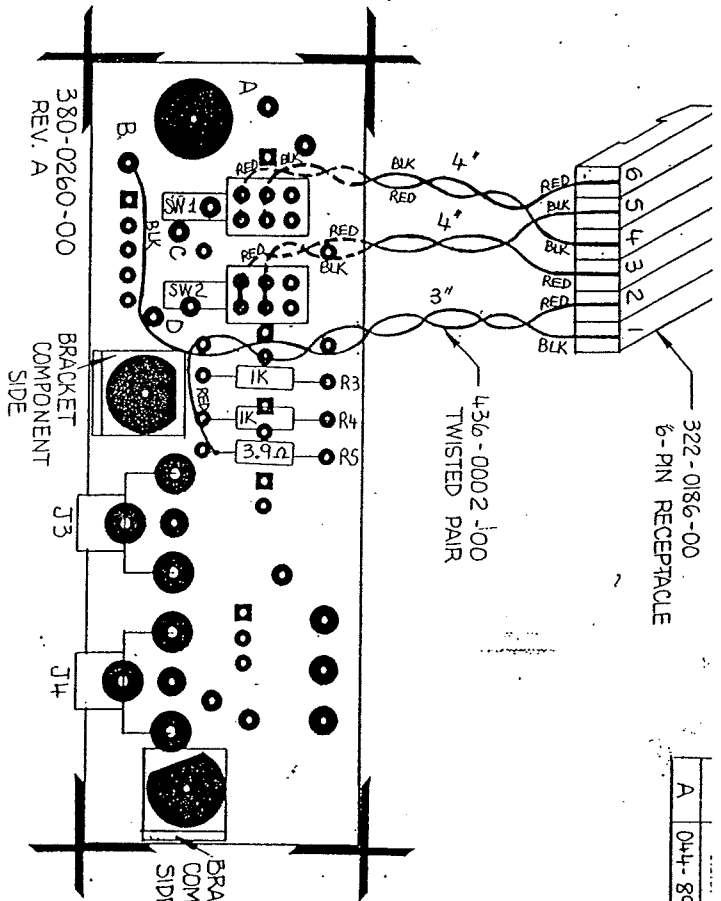
700 - 0260-00
D60 LED POT P.C.B.

ITEM	PART NO.	DESCRIPTION	SIZE	QTY.
	ND 91388	700 - 0261 - 00 D-60M JACK SWITCH P.C.B.		
<p>UNLESS OTHERWISE SPECIFIED, DIMENSIONS ARE IN INCHES. TOLERANCES ARE: DECIMALS FRACTIONS ANGLES MATERIAL FLATNESS</p> <p>.XX ± .XXX ±</p>				
<p>FINISH: BREAK SHARP EDGES 1ST CHAMFER OR RADIUS .010 MAX.</p>				
<p>SCALE: NDNE DO NOT SCALE DRAWING SHEET 1 OF 1</p>				

A B C D

A	044-89	JACK-SWITCH SCHEMATIC REDRAWN FOR ACCURACY	3-17-89	ND
---	--------	--	---------	----

THIS DRAWING IS THE PROPERTY OF BIAMP SYSTEMS, AND MUST BE RETURNED WITHOUT DUPLICATING AT ANY TIME, ON REQUEST, WHILE IN THE POSSESSION OF THE RECIPIENT. IT MUST BE PROTECTED AGAINST DISCLOSURE TO ANYONE EXCEPT THE RECIPIENT. REPAIRS OR MODIFICATIONS TO THE WORK OR JOB THE RECIPIENT AND ITS EMPLOYEES SHALL BE DONE AT THEIR RISK, AND NOT MAKE UNAUTHORIZED USE OF THE INFORMATION CONTAINED HEREON.



TITLE: PART NO. 380-0260-00 DATE: 04-89 DRAWN BY: ND CHECKED BY: 49788 ENGINEER: ND DATE: 04-89 APPROVED BY: ND DATE: 04-89		DESCRIPTION: BIAMP SYSTEMS D-60M JACK, SWITCH PCB ASSY. COMPONENT DIAG.	
DIMENSIONS: 380-0260-00 MATERIAL: PCB FINISH: ENAMEL QUANTITY: 1000 UNIT: M		DO NOT SCALE DRAWING SHEET 1 OF 1	

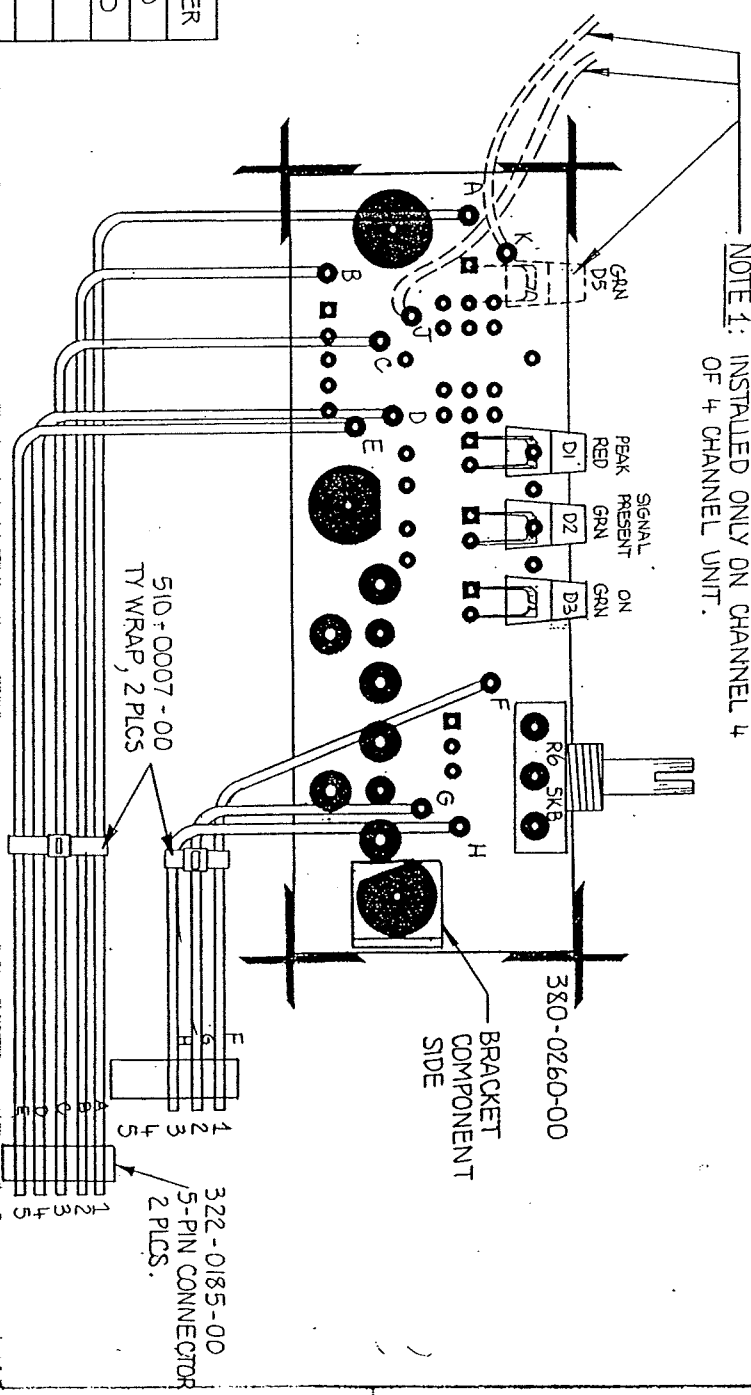
A	04-89	REDRAWN FOR ACCURACY	3-17-89	ND
---	-------	----------------------	---------	----

A B C D

THIS DRAWING IS THE PROPERTY OF BIAAMP SYSTEMS, AND MUST BE RETURNED WITHOUT DUPLICATING AT ANY TIME, ON REQUEST, WHILE IN THE POSSESSION OF THE REPERT, IT MUST BE PROTECTED AGAINST DISCLOSURE TO ANYONE EXCEPT THE PERSON TO WHOM IT IS LOANED. THE INFORMATION CONTAINED HEREIN AND THE DRAWINGS MUST BE KEPT CONFIDENTIAL, AND NOT MADE UNAUTHORIZED USE OF THE INFORMATION CONTAINED HEREON.

REV	ECO	CHANGE	DATE	BY
A	329-88	CHG'D WIRES FROM 7" TO 7.5"	11-3-88	ND

NOTE 1: INSTALLED ONLY ON CHANNEL 4 OF 4 CHANNEL UNIT.



WIRE	GAUGE	COLOR	LENGTH	PART NUMBER
A	22	RED	6"	425.0071.00
B	22	WHT	6"	425.0033.00
C	22	WHT	6"	
D	22	WHT	6"	
E	22	WHT	6"	
F	22	BLK	7.5"	425.0076.00
G	22	ORANGE	7.5"	425.0025.00
H	22	ORANGE	7.5"	425.0025.00

ND 9-9-88

BIAMP SYSTEMS

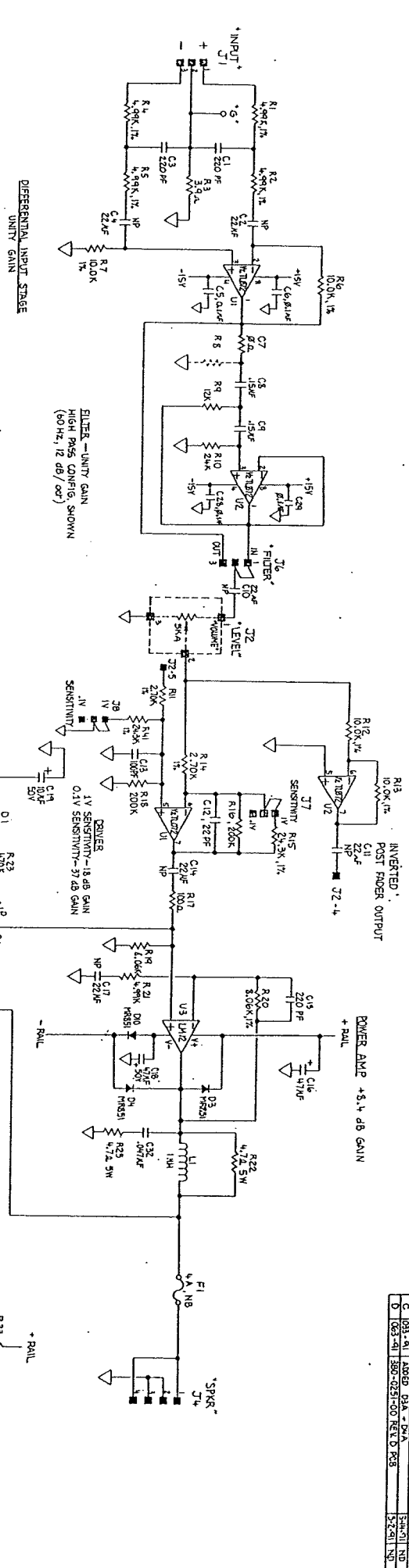
D-60 LED, POT PCB ASSY
COMPONENT LAYOUT DIAG.

701-0260-00

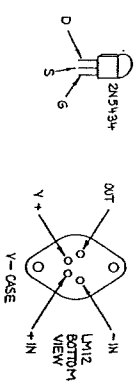
2X

A B C D

THIS SCHEMATIC IS THE PROPERTY OF BIAMP SYSTEMS, INC. IT IS TO BE USED FOR THE REPAIR OF THE EQUIPMENT IDENTIFIED HEREIN ONLY. IT IS NOT TO BE REPRODUCED OR TRANSMITTED IN ANY FORM OR BY ANY MEANS, ELECTRONIC OR MECHANICAL, INCLUDING PHOTOCOPYING, RECORDING, OR BY ANY INFORMATION STORAGE AND RETRIEVAL SYSTEM. WITHOUT THE WRITTEN PERMISSION OF BIAMP SYSTEMS, INC.

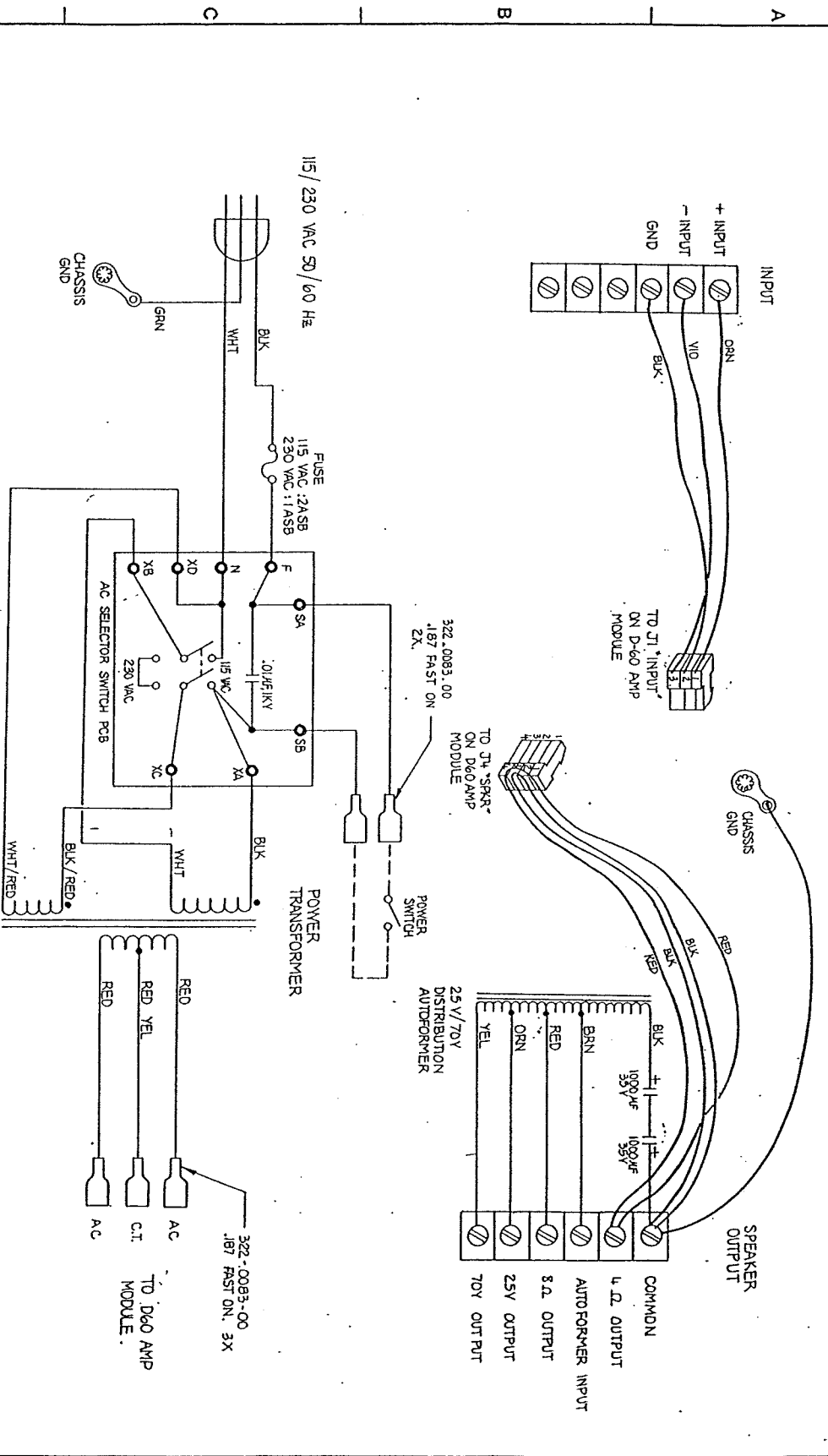


- LAST
- R 41
 - C 32
 - O 10
 - T 7
 - B 8
 - F 1
 - L 1



BIAMP SYSTEMS, INC.		ALPHA SYSTEMS, INC.	
2000 WILSON AVENUE, SUITE 100, WESTPORT, MA 01886		100 WILSON AVENUE, SUITE 100, WESTPORT, MA 01886	
MODEL	REV.	NO. PARTS	DATE
D60	0	1	7/00
D60 POWER AMPLIFIER SCHEMATIC		700-0251-00	
REV. 0		700-0251-00	
REV. 1		700-0251-00	
REV. 2		700-0251-00	
REV. 3		700-0251-00	
REV. 4		700-0251-00	
REV. 5		700-0251-00	
REV. 6		700-0251-00	
REV. 7		700-0251-00	
REV. 8		700-0251-00	
REV. 9		700-0251-00	
REV. 10		700-0251-00	
REV. 11		700-0251-00	
REV. 12		700-0251-00	
REV. 13		700-0251-00	
REV. 14		700-0251-00	
REV. 15		700-0251-00	
REV. 16		700-0251-00	
REV. 17		700-0251-00	
REV. 18		700-0251-00	
REV. 19		700-0251-00	
REV. 20		700-0251-00	
REV. 21		700-0251-00	
REV. 22		700-0251-00	
REV. 23		700-0251-00	
REV. 24		700-0251-00	
REV. 25		700-0251-00	
REV. 26		700-0251-00	
REV. 27		700-0251-00	
REV. 28		700-0251-00	
REV. 29		700-0251-00	
REV. 30		700-0251-00	
REV. 31		700-0251-00	
REV. 32		700-0251-00	
REV. 33		700-0251-00	
REV. 34		700-0251-00	
REV. 35		700-0251-00	
REV. 36		700-0251-00	
REV. 37		700-0251-00	
REV. 38		700-0251-00	
REV. 39		700-0251-00	
REV. 40		700-0251-00	
REV. 41		700-0251-00	
REV. 42		700-0251-00	
REV. 43		700-0251-00	
REV. 44		700-0251-00	
REV. 45		700-0251-00	
REV. 46		700-0251-00	
REV. 47		700-0251-00	
REV. 48		700-0251-00	
REV. 49		700-0251-00	
REV. 50		700-0251-00	

THESE DRAWINGS ARE THE PROPERTY OF BIAMP SYSTEMS, INC. AND ARE NOT TO BE REPRODUCED OR TRANSMITTED IN ANY FORM OR BY ANY MEANS, ELECTRONIC OR MECHANICAL, INCLUDING PHOTOCOPYING, RECORDING, OR BY ANY INFORMATION STORAGE AND RETRIEVAL SYSTEM, WITHOUT THE WRITTEN PERMISSION OF BIAMP SYSTEMS, INC. THE INFORMATION CONTAINED HEREIN IS UNCLASSIFIED.



<p>115 / 230 VAC 50 / 60 HZ</p> <p>FUSE 115 VAC : 2ASB 230 VAC : 1ASB</p> <p>CHASSIS GND</p> <p>AC SELECTOR SWITCH PCB</p> <p>POWER TRANSFORMER</p> <p>25 V/70V DISTRIBUTION AUTOTRANSFORMER</p> <p>SPEAKER OUTPUT</p>																						
<p>TO J1 "INPUT" ON D-60 AMP MODULE</p> <p>TO J4 "SPKR" ON D60 AMP MODULE</p>																						
<p>322-.0083-.00 .187 FAST ON 2X.</p> <p>322-.0083-.00 .187 FAST ON 3X</p>																						
<p>WHT / RED</p> <p>RED</p> <p>RED YEL</p> <p>RED</p> <p>AC</p> <p>C.T.</p> <p>AC</p>																						
<p>1</p> <p>2</p> <p>3</p> <p>4</p>																						
<table border="1"> <tr> <th>ITEM</th> <th>PART NO.</th> <th>DESCRIPTION</th> <th>SIZE</th> <th>QTY.</th> </tr> <tr> <td>ND</td> <td></td> <td>BIAMP SYSTEMS</td> <td></td> <td></td> </tr> <tr> <td colspan="5"> <p>D-60 CHASSIS WIRING</p> </td> </tr> <tr> <td>801-0062-00</td> <td></td> <td></td> <td></td> <td></td> </tr> </table>			ITEM	PART NO.	DESCRIPTION	SIZE	QTY.	ND		BIAMP SYSTEMS			<p>D-60 CHASSIS WIRING</p>					801-0062-00				
ITEM	PART NO.	DESCRIPTION	SIZE	QTY.																		
ND		BIAMP SYSTEMS																				
<p>D-60 CHASSIS WIRING</p>																						
801-0062-00																						

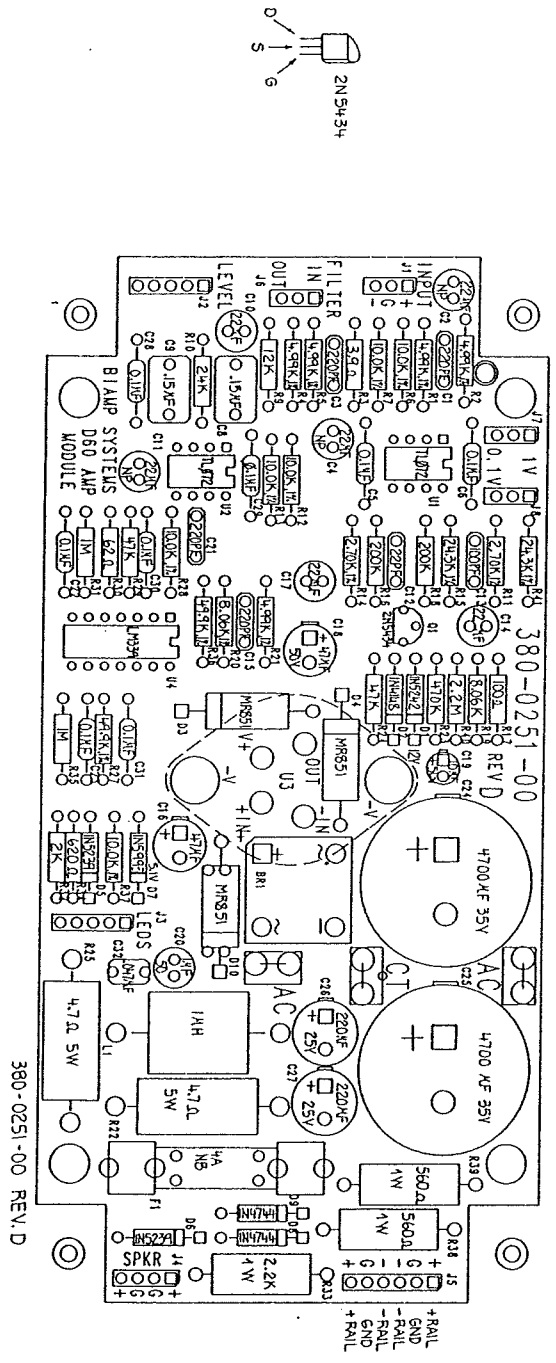
The drawings are the property of Biamp Systems, Inc. and shall not be reproduced, copied, or distributed in any form without the written consent of Biamp Systems, Inc. The drawings are the property of Biamp Systems, Inc. and shall not be reproduced, copied, or distributed in any form without the written consent of Biamp Systems, Inc.

BIAMP SYSTEMS
 10074 SW ARCTIC DRIVE
 BEAVERTON, OR 97005

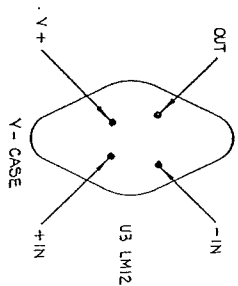
BIAMP SYSTEMS
 (503) 641-7287

380-0251-00 REV D
 D60 AMPLIFIER PCB
 Sheet 1 of 5 : Silkscreen

063-91 380-0251-00 REV D PCB 5-2-91 ND



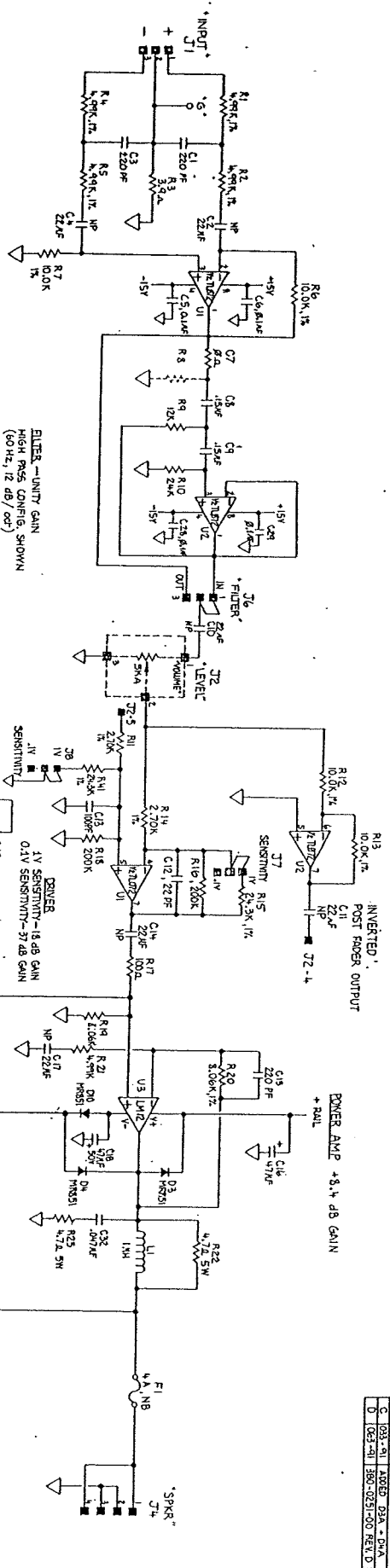
NOTES:
 * RESISTOR R14 NOT INSTALLED ON UNITS WHICH SUPPORT MONO-BRIDGE OPERATION.
 * U3 IS MOUNTED ON SOLDER SIDE.



ITEM	PART NO.	DESCRIPTION	SIZE	QTY.
UNLESS OTHERWISE SPECIFIED, DIMENSIONS ARE IN MILLIMETERS. TOLERANCES ARE AS SHOWN. MATERIALS ARE TO BE USED UNLESS OTHERWISE SPECIFIED.	380-0251-00	BIAMP SYSTEMS		
DESIGNED BY	ENGINEER	DESIGN		
CHECKED BY	APPROVED			
BIAMP SYSTEMS				
COMPONENT LAYOUT				
D60 POWER AMP				
DATE	REV. NO.	SCALE	SHEET 1 OF 1	
05/21/91	00	2 X		

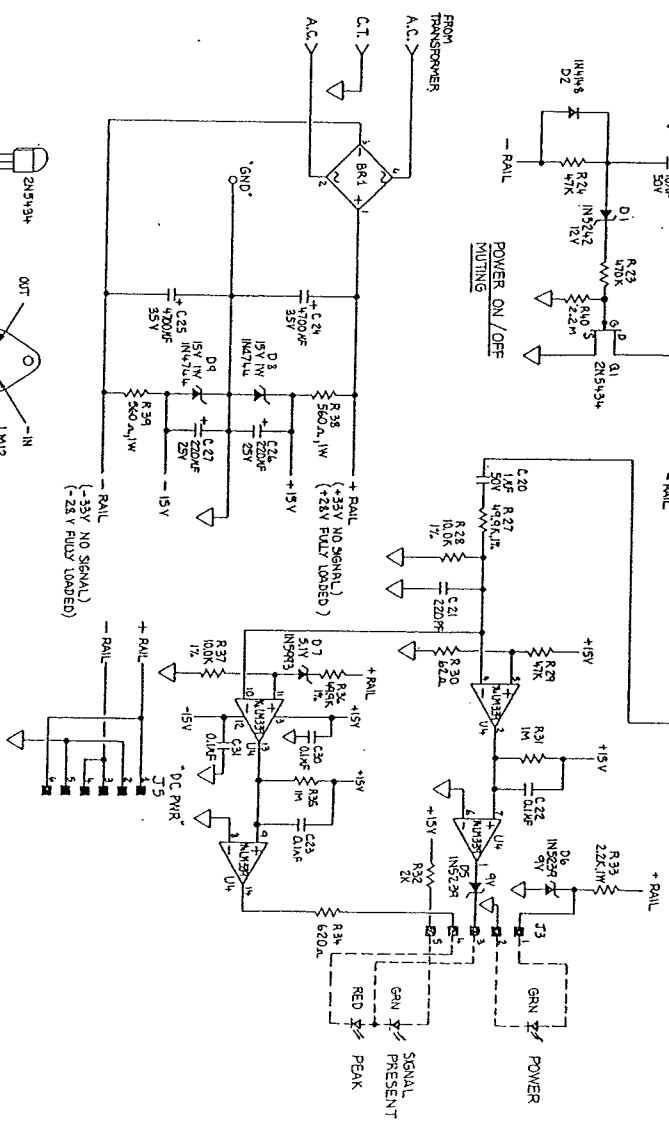
1 2 3 4

REVISIONS TO THIS DRAWING ARE LISTED IN THE REVISIONS SECTION OF THIS DRAWING. THE REVISIONS SECTION IS PART OF THIS DRAWING. THE REVISIONS SECTION IS PART OF THIS DRAWING.

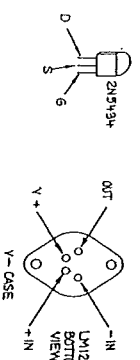


DIFFERENTIAL INPUT STAGE
UNITY GAIN

FILTER - UNITY GAIN
HIGH PASS CONFIG. SHOWN
(50 HZ, 12 DB/OCT)



- LAST
- R 41
- C 22
- D 10
- I 1
- F 9
- L 1



A B C D E F G H

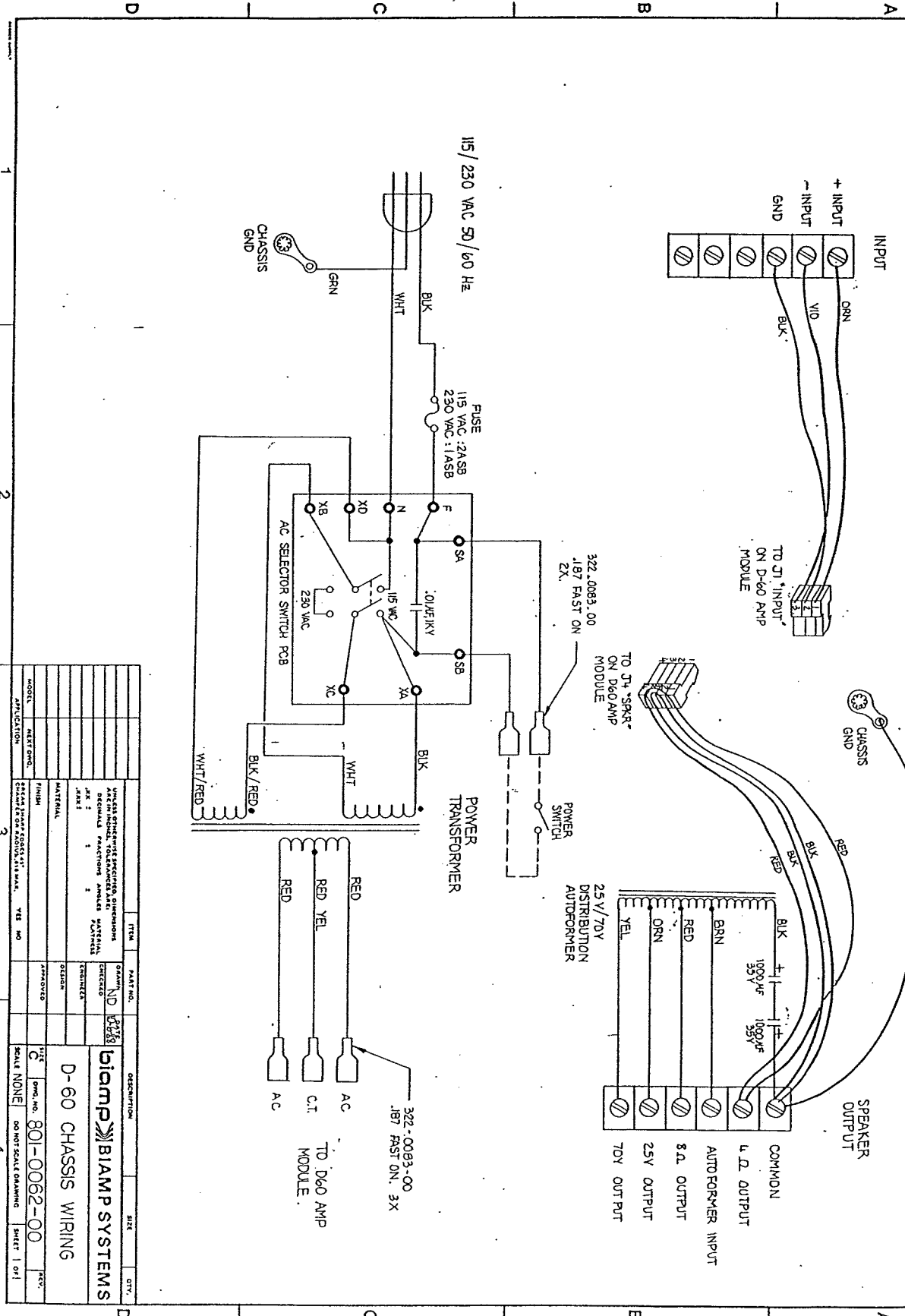
REV.	DATE	BY	CHKD.	DESCRIPTION
A	3/15/88			ADDED R40
B	01/11/90			CHG'D SPEAK. FUSE TO 1/4"
C	10/23/91			ADD'D 25A - 5A FUSE
D	10/23/91			350-0251-00 REV. D PCB

NO.	REV.	DATE	BY	CHKD.	DESCRIPTION
1	1	10/23/91			060 POWER AMPLIFIER SCHEMATIC

060 POWER AMPLIFIER SCHEMATIC

BLAMP SYSTEMS, INC.
4400 W. 14TH AVE. SUITE 100
DENVER, CO 80202

THE SYSTEMS AND PRODUCTS OF BIAAMP SYSTEMS, INC. ARE THE PROPERTY OF BIAAMP SYSTEMS, INC. AND ARE NOT TO BE REPRODUCED OR TRANSMITTED IN ANY FORM OR BY ANY MEANS, ELECTRONIC OR MECHANICAL, INCLUDING PHOTOCOPYING, RECORDING, OR BY ANY INFORMATION STORAGE AND RETRIEVAL SYSTEM, WITHOUT THE WRITTEN PERMISSION OF BIAAMP SYSTEMS, INC.

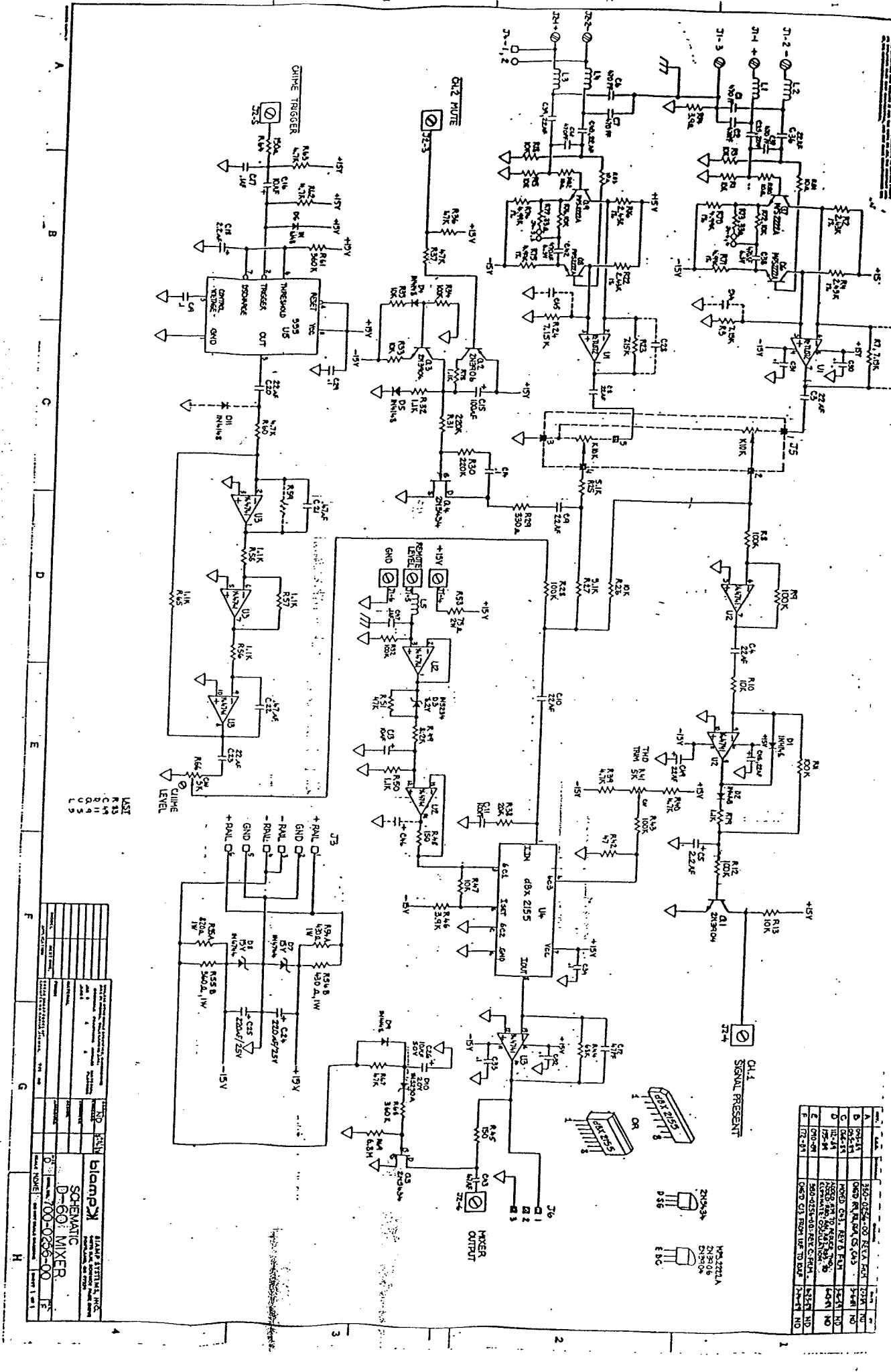


ITEM	PART NO.	DESCRIPTION	QTY.
1	322-0083-00	115VAC :2ASB	1
2	187-FAST ON, 2X	POWER SWITCH	1
3	322-0083-00	115VAC :2ASB	1
4	187-FAST ON, 3X	POWER SWITCH	1
5	322-0083-00	115VAC :2ASB	1
6	187-FAST ON, 2X	POWER SWITCH	1
7	322-0083-00	115VAC :2ASB	1
8	187-FAST ON, 2X	POWER SWITCH	1
9	322-0083-00	115VAC :2ASB	1
10	187-FAST ON, 2X	POWER SWITCH	1
11	322-0083-00	115VAC :2ASB	1
12	187-FAST ON, 2X	POWER SWITCH	1
13	322-0083-00	115VAC :2ASB	1
14	187-FAST ON, 2X	POWER SWITCH	1
15	322-0083-00	115VAC :2ASB	1
16	187-FAST ON, 2X	POWER SWITCH	1
17	322-0083-00	115VAC :2ASB	1
18	187-FAST ON, 2X	POWER SWITCH	1
19	322-0083-00	115VAC :2ASB	1
20	187-FAST ON, 2X	POWER SWITCH	1
21	322-0083-00	115VAC :2ASB	1
22	187-FAST ON, 2X	POWER SWITCH	1
23	322-0083-00	115VAC :2ASB	1
24	187-FAST ON, 2X	POWER SWITCH	1
25	322-0083-00	115VAC :2ASB	1
26	187-FAST ON, 2X	POWER SWITCH	1
27	322-0083-00	115VAC :2ASB	1
28	187-FAST ON, 2X	POWER SWITCH	1
29	322-0083-00	115VAC :2ASB	1
30	187-FAST ON, 2X	POWER SWITCH	1
31	322-0083-00	115VAC :2ASB	1
32	187-FAST ON, 2X	POWER SWITCH	1
33	322-0083-00	115VAC :2ASB	1
34	187-FAST ON, 2X	POWER SWITCH	1
35	322-0083-00	115VAC :2ASB	1
36	187-FAST ON, 2X	POWER SWITCH	1
37	322-0083-00	115VAC :2ASB	1
38	187-FAST ON, 2X	POWER SWITCH	1
39	322-0083-00	115VAC :2ASB	1
40	187-FAST ON, 2X	POWER SWITCH	1
41	322-0083-00	115VAC :2ASB	1
42	187-FAST ON, 2X	POWER SWITCH	1
43	322-0083-00	115VAC :2ASB	1
44	187-FAST ON, 2X	POWER SWITCH	1
45	322-0083-00	115VAC :2ASB	1
46	187-FAST ON, 2X	POWER SWITCH	1
47	322-0083-00	115VAC :2ASB	1
48	187-FAST ON, 2X	POWER SWITCH	1
49	322-0083-00	115VAC :2ASB	1
50	187-FAST ON, 2X	POWER SWITCH	1
51	322-0083-00	115VAC :2ASB	1
52	187-FAST ON, 2X	POWER SWITCH	1
53	322-0083-00	115VAC :2ASB	1
54	187-FAST ON, 2X	POWER SWITCH	1
55	322-0083-00	115VAC :2ASB	1
56	187-FAST ON, 2X	POWER SWITCH	1
57	322-0083-00	115VAC :2ASB	1
58	187-FAST ON, 2X	POWER SWITCH	1
59	322-0083-00	115VAC :2ASB	1
60	187-FAST ON, 2X	POWER SWITCH	1
61	322-0083-00	115VAC :2ASB	1
62	187-FAST ON, 2X	POWER SWITCH	1
63	322-0083-00	115VAC :2ASB	1
64	187-FAST ON, 2X	POWER SWITCH	1
65	322-0083-00	115VAC :2ASB	1
66	187-FAST ON, 2X	POWER SWITCH	1
67	322-0083-00	115VAC :2ASB	1
68	187-FAST ON, 2X	POWER SWITCH	1
69	322-0083-00	115VAC :2ASB	1
70	187-FAST ON, 2X	POWER SWITCH	1
71	322-0083-00	115VAC :2ASB	1
72	187-FAST ON, 2X	POWER SWITCH	1
73	322-0083-00	115VAC :2ASB	1
74	187-FAST ON, 2X	POWER SWITCH	1
75	322-0083-00	115VAC :2ASB	1
76	187-FAST ON, 2X	POWER SWITCH	1
77	322-0083-00	115VAC :2ASB	1
78	187-FAST ON, 2X	POWER SWITCH	1
79	322-0083-00	115VAC :2ASB	1
80	187-FAST ON, 2X	POWER SWITCH	1
81	322-0083-00	115VAC :2ASB	1
82	187-FAST ON, 2X	POWER SWITCH	1
83	322-0083-00	115VAC :2ASB	1
84	187-FAST ON, 2X	POWER SWITCH	1
85	322-0083-00	115VAC :2ASB	1
86	187-FAST ON, 2X	POWER SWITCH	1
87	322-0083-00	115VAC :2ASB	1
88	187-FAST ON, 2X	POWER SWITCH	1
89	322-0083-00	115VAC :2ASB	1
90	187-FAST ON, 2X	POWER SWITCH	1
91	322-0083-00	115VAC :2ASB	1
92	187-FAST ON, 2X	POWER SWITCH	1
93	322-0083-00	115VAC :2ASB	1
94	187-FAST ON, 2X	POWER SWITCH	1
95	322-0083-00	115VAC :2ASB	1
96	187-FAST ON, 2X	POWER SWITCH	1
97	322-0083-00	115VAC :2ASB	1
98	187-FAST ON, 2X	POWER SWITCH	1
99	322-0083-00	115VAC :2ASB	1
100	187-FAST ON, 2X	POWER SWITCH	1

1 2 3 4

REV. 10/81

REV. 10/81



- LIST
- R13
 - R14
 - R15
 - R16
 - R17
 - R18
 - R19
 - R20
 - R21
 - R22
 - R23
 - R24
 - R25
 - R26
 - R27
 - R28
 - R29
 - R30
 - R31
 - R32
 - R33
 - R34
 - R35
 - R36
 - R37
 - R38
 - R39
 - R40
 - R41
 - R42
 - R43
 - R44
 - R45
 - R46
 - R47
 - R48
 - R49
 - R50
 - R51
 - R52
 - R53
 - R54
 - R55
 - R56
 - R57
 - R58
 - R59
 - R60
 - R61
 - R62
 - R63
 - R64
 - R65
 - R66
 - R67
 - R68
 - R69
 - R70
 - R71
 - R72
 - R73
 - R74
 - R75
 - R76
 - R77
 - R78
 - R79
 - R80
 - R81
 - R82
 - R83
 - R84
 - R85
 - R86
 - R87
 - R88
 - R89
 - R90
 - R91
 - R92
 - R93
 - R94
 - R95
 - R96
 - R97
 - R98
 - R99
 - R100

NO.	DESCRIPTION	QTY.	REMARKS
1	741	1	OP-AMP
2	742	1	OP-AMP
3	743	1	OP-AMP
4	744	1	OP-AMP
5	745	1	OP-AMP
6	746	1	OP-AMP
7	747	1	OP-AMP
8	748	1	OP-AMP
9	749	1	OP-AMP
10	750	1	OP-AMP
11	751	1	OP-AMP
12	752	1	OP-AMP
13	753	1	OP-AMP
14	754	1	OP-AMP
15	755	1	OP-AMP
16	756	1	OP-AMP
17	757	1	OP-AMP
18	758	1	OP-AMP
19	759	1	OP-AMP
20	760	1	OP-AMP
21	761	1	OP-AMP
22	762	1	OP-AMP
23	763	1	OP-AMP
24	764	1	OP-AMP
25	765	1	OP-AMP
26	766	1	OP-AMP
27	767	1	OP-AMP
28	768	1	OP-AMP
29	769	1	OP-AMP
30	770	1	OP-AMP
31	771	1	OP-AMP
32	772	1	OP-AMP
33	773	1	OP-AMP
34	774	1	OP-AMP
35	775	1	OP-AMP
36	776	1	OP-AMP
37	777	1	OP-AMP
38	778	1	OP-AMP
39	779	1	OP-AMP
40	780	1	OP-AMP
41	781	1	OP-AMP
42	782	1	OP-AMP
43	783	1	OP-AMP
44	784	1	OP-AMP
45	785	1	OP-AMP
46	786	1	OP-AMP
47	787	1	OP-AMP
48	788	1	OP-AMP
49	789	1	OP-AMP
50	790	1	OP-AMP
51	791	1	OP-AMP
52	792	1	OP-AMP
53	793	1	OP-AMP
54	794	1	OP-AMP
55	795	1	OP-AMP
56	796	1	OP-AMP
57	797	1	OP-AMP
58	798	1	OP-AMP
59	799	1	OP-AMP
60	800	1	OP-AMP

NO.	DESCRIPTION	QTY.	REMARKS
1	741	1	OP-AMP
2	742	1	OP-AMP
3	743	1	OP-AMP
4	744	1	OP-AMP
5	745	1	OP-AMP
6	746	1	OP-AMP
7	747	1	OP-AMP
8	748	1	OP-AMP
9	749	1	OP-AMP
10	750	1	OP-AMP
11	751	1	OP-AMP
12	752	1	OP-AMP
13	753	1	OP-AMP
14	754	1	OP-AMP
15	755	1	OP-AMP
16	756	1	OP-AMP
17	757	1	OP-AMP
18	758	1	OP-AMP
19	759	1	OP-AMP
20	760	1	OP-AMP
21	761	1	OP-AMP
22	762	1	OP-AMP
23	763	1	OP-AMP
24	764	1	OP-AMP
25	765	1	OP-AMP
26	766	1	OP-AMP
27	767	1	OP-AMP
28	768	1	OP-AMP
29	769	1	OP-AMP
30	770	1	OP-AMP
31	771	1	OP-AMP
32	772	1	OP-AMP
33	773	1	OP-AMP
34	774	1	OP-AMP
35	775	1	OP-AMP
36	776	1	OP-AMP
37	777	1	OP-AMP
38	778	1	OP-AMP
39	779	1	OP-AMP
40	780	1	OP-AMP
41	781	1	OP-AMP
42	782	1	OP-AMP
43	783	1	OP-AMP
44	784	1	OP-AMP
45	785	1	OP-AMP
46	786	1	OP-AMP
47	787	1	OP-AMP
48	788	1	OP-AMP
49	789	1	OP-AMP
50	790	1	OP-AMP
51	791	1	OP-AMP
52	792	1	OP-AMP
53	793	1	OP-AMP
54	794	1	OP-AMP
55	795	1	OP-AMP
56	796	1	OP-AMP
57	797	1	OP-AMP
58	798	1	OP-AMP
59	799	1	OP-AMP
60	800	1	OP-AMP

Blaupunkt
 SCHEMATIC
 D-60 MIXER
 PART NO. 100-0286-00
 DATE 1-1-61

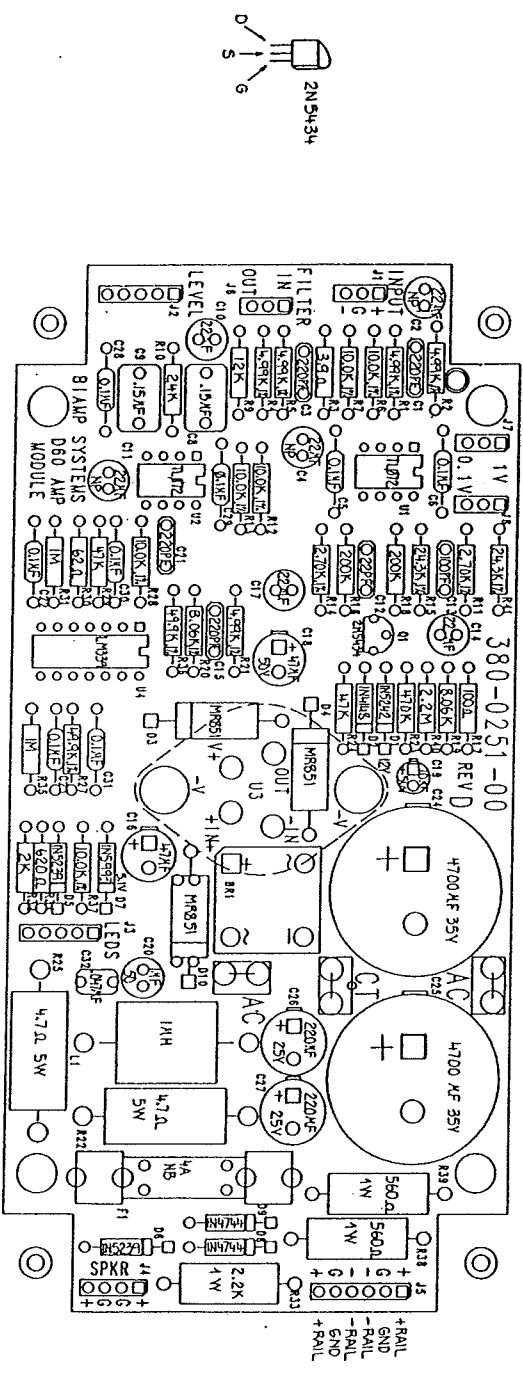
THIS DRAWING IS THE PROPERTY OF BIAMP SYSTEMS, INC. IT IS TO BE USED ONLY FOR THE MANUFACTURE OF THE PRODUCT SPECIFICALLY IDENTIFIED HEREON. IT IS NOT TO BE REPRODUCED, COPIED, OR TRANSMITTED IN ANY FORM OR BY ANY MEANS, ELECTRONIC OR MECHANICAL, INCLUDING PHOTOCOPYING, RECORDING, OR BY ANY INFORMATION STORAGE AND RETRIEVAL SYSTEM, WITHOUT THE WRITTEN PERMISSION OF BIAMP SYSTEMS, INC.

BIAMP SYSTEMS
10074 SW ARCTIC DRIVE
BEAVERTON, OR 97005

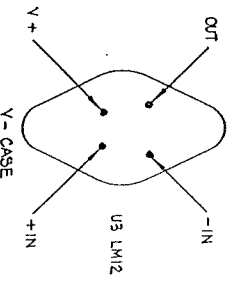
BIAMP SYSTEMS
 (503) 641-7287

380-0251-00 REV D
 D60 AMPLIFIER PCB
 Sheet 1 of 5 : Silkscreen

REV.	EDA	CHANGE	DATE	BY
F	06-3-91	380-0251-00 REV. D PCB	5/2/91	ND



NOTES:
 * RESISTOR R4 NOT INSTALLED ON UNITS WHICH SUPPORT MONO-BRIDGE OPERATION.
 * U3 IS MOUNTED ON SOLDER SIDE.



ITEM	PART NO.	DESCRIPTION	SIZE	QTY.
1	2N5434	DIODE		1
2	U3	LM12		1
BIAMP SYSTEMS				
COMPONENT LAYOUT				
D60 POWER AMP				
380-0251-00				
Sheet 1 of 1				