

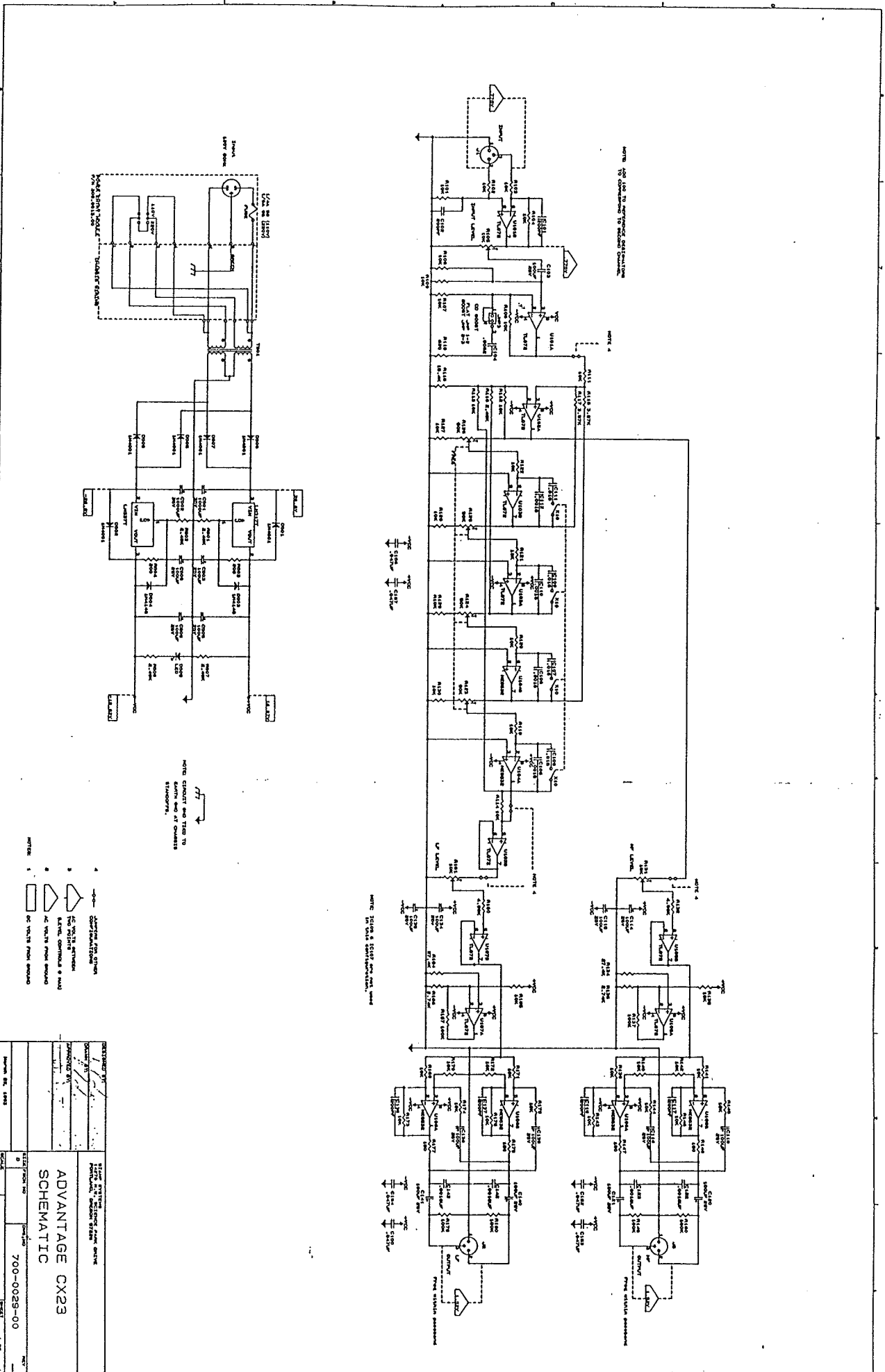
CX 23

# Schematic

**B I A M P<sup>®</sup>**

---

S Y S T E M S



NOTE: FOR LAMP TO OPERATE, DISTRIBUTION  
MUST BE CORRECTLY WIRING TO RELAY CHANNEL

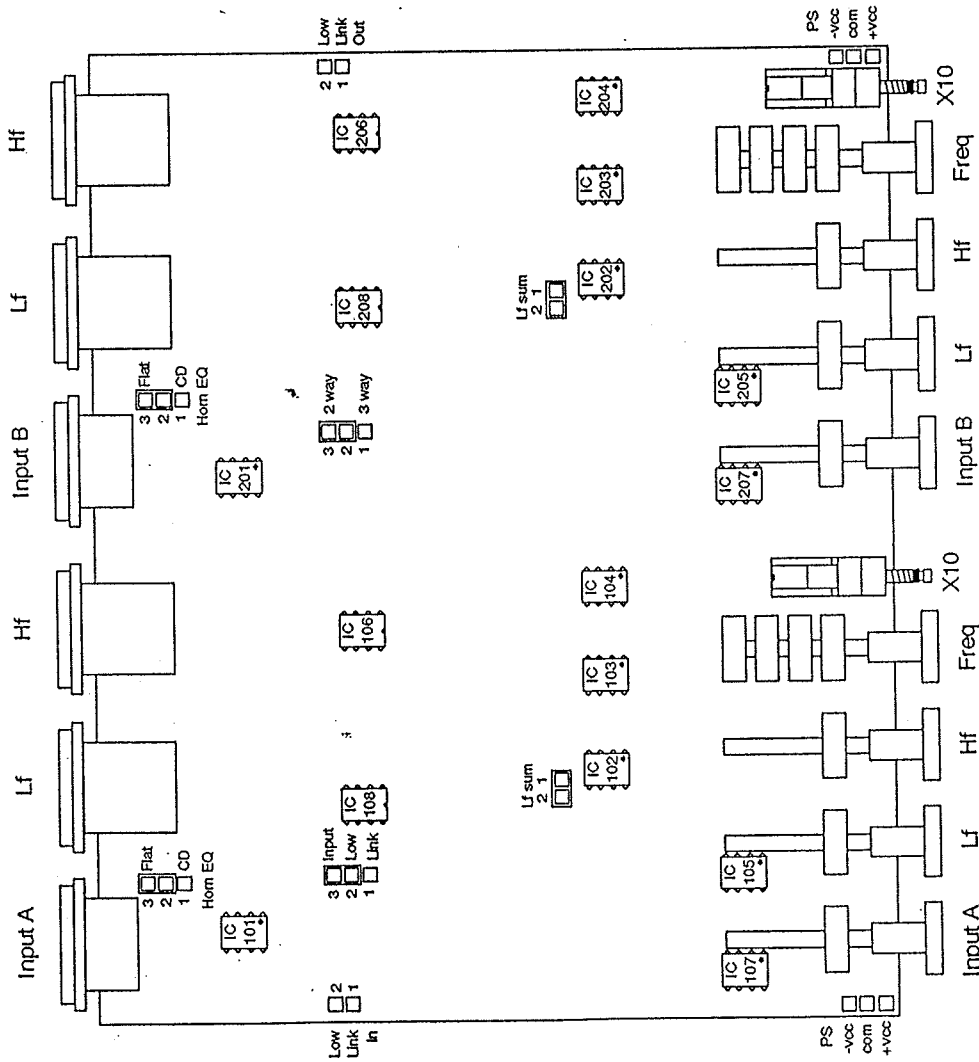
NOTE: ALL RELAY CHANNELS  
MUST BE WIRING TO RELAY CHANNEL

NOTE: FOR LAMP TO OPERATE, DISTRIBUTION  
MUST BE CORRECTLY WIRING TO RELAY CHANNEL

NOTE: CONTACT AND TIE TO  
STANDARD

- NOTE: 1
- 1. CONTACT AND TIE TO STANDARD
  - 2. CONTACT AND TIE TO STANDARD
  - 3. CONTACT AND TIE TO STANDARD
  - 4. CONTACT AND TIE TO STANDARD

DESIGNED BY	DATE
DRAWN BY	DATE
CHECKED BY	DATE
APPROVED BY	DATE
<b>ADVANTAGE CX23</b>	
<b>SCHEMATIC</b>	
SCALE	700-0029-00
REV	1



File name: CX23\_PCB.AI  
 CX23 PCB ASSY.  
 Dwg No. : A\_10031