

Cascade Series

# Schematic

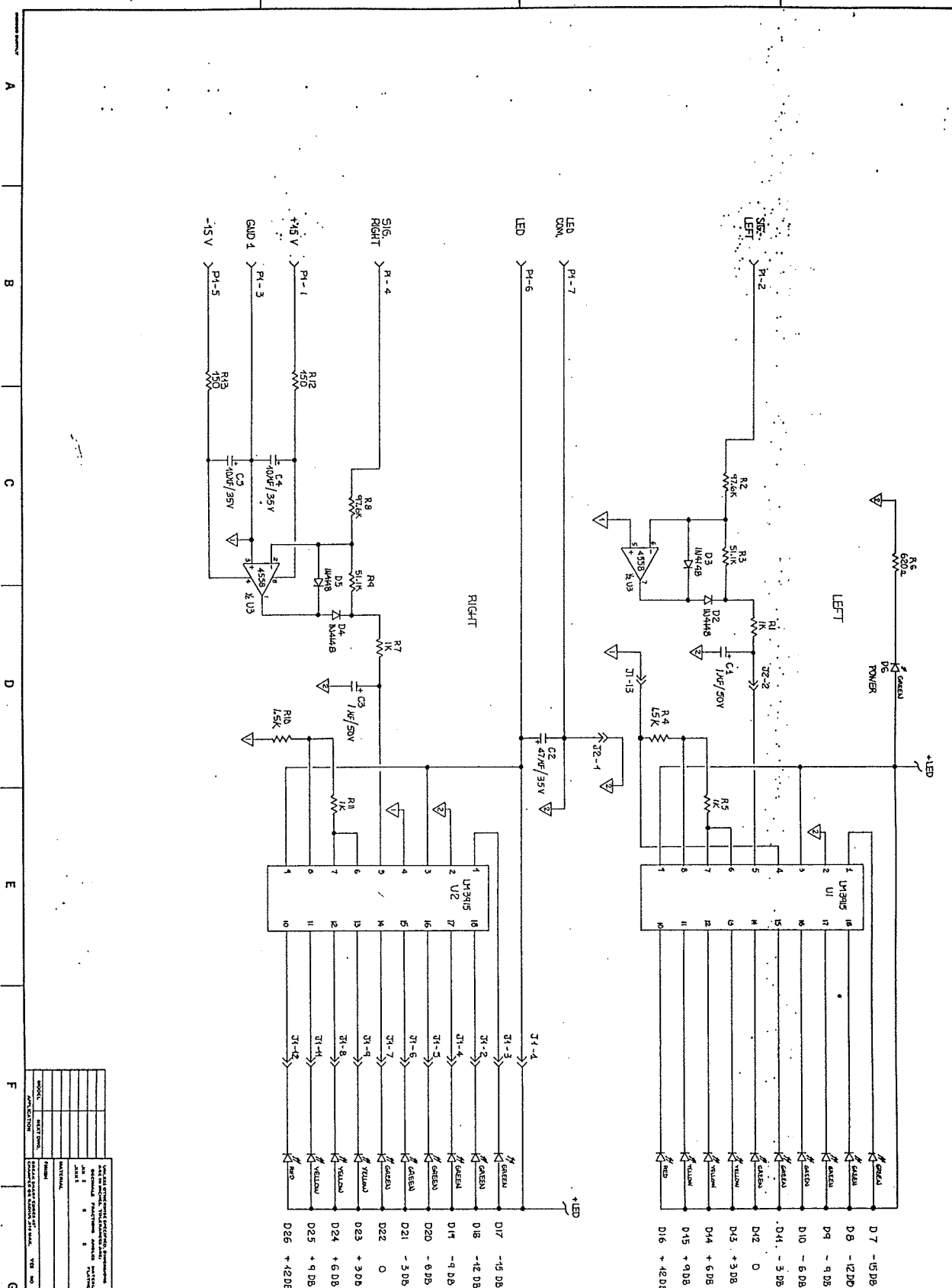
**B I A M P<sup>®</sup>**

---

S Y S T E M S



THIS DRAWING IS THE PROPERTY OF BIAMP SYSTEMS, INC. IT IS TO BE USED ONLY FOR THE PROJECT AND QUANTITY SPECIFIED IN THE ORDER. IT IS NOT TO BE REPRODUCED OR TRANSMITTED IN ANY FORM OR BY ANY MEANS, ELECTRONIC OR MECHANICAL, INCLUDING PHOTOCOPYING, RECORDING, OR BY ANY INFORMATION STORAGE AND RETRIEVAL SYSTEM. WITHOUT THE WRITTEN PERMISSION OF BIAMP SYSTEMS, INC.

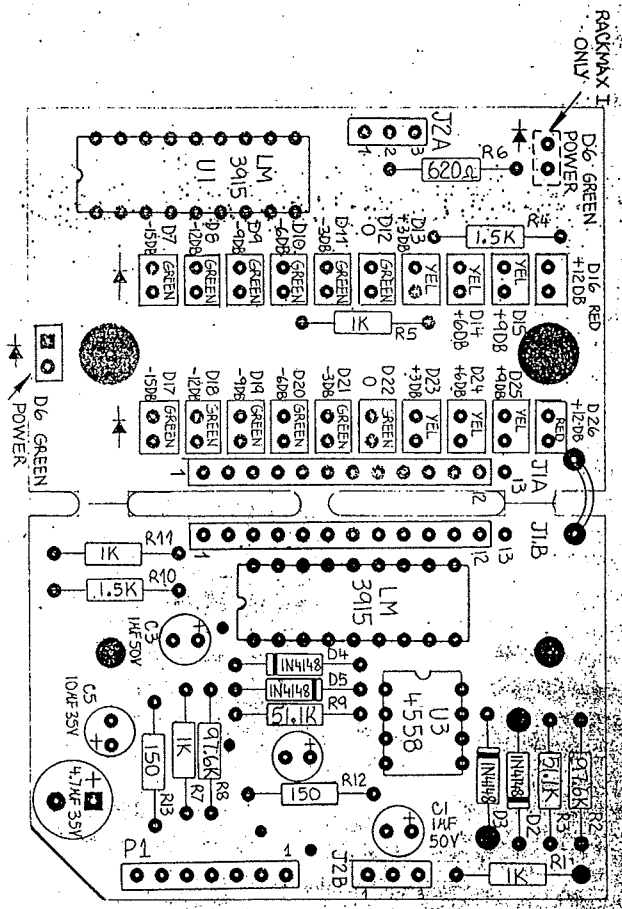


REV.	DATE	DESCRIPTION	BY	CHKD.
B	05-87	REVISED TO 2X WIRE BONDING	3-13-SF	N
C	02-78	305-0266 REV'D PCB	1-38-SH	NI
D	03-81	CHG'D RES FROM 330Ω TO 620Ω	1-28-SH	NI
E	04-81	CHG'D R2, R3, R4 FOR 4+ dB REF	3-28-SH	N

BIAMP SYSTEMS, INC. RACKMAX BARGRAPH BOARD 700-0166-00	BIAMP SYSTEMS, INC. 10000 WILSON BLVD. CHICAGO, IL 60643
---	--

THIS DRAWING IS THE PROPERTY OF BIAMP SYSTEMS, INC. IT IS TO BE USED ONLY FOR THE PROJECT AND SITE SPECIFICALLY IDENTIFIED ON THE DRAWING. IT IS NOT TO BE REPRODUCED, COPIED, OR TRANSMITTED IN ANY FORM OR BY ANY MEANS, ELECTRONIC OR MECHANICAL, INCLUDING PHOTOCOPYING, RECORDING, OR BY ANY INFORMATION STORAGE AND RETRIEVAL SYSTEM. THE USER ASSUMES ALL LIABILITY FOR THE USE OF THIS DRAWING. THE USER SHALL BE RESPONSIBLE FOR OBTAINING ALL NECESSARY PERMITS AND APPROVALS FROM THE LOCAL, STATE, AND FEDERAL AUTHORITIES.



BIAMP BARGRAPH BOARD  
 RACKMAX  
**380-0186-00 REV D**

ITEM	DESCRIPTION	QTY.
1	BIAMP BARGRAPH BOARD	1
2	BIAMP BARGRAPH BOARD	1
3	BIAMP BARGRAPH BOARD	1
4	BIAMP BARGRAPH BOARD	1
5	BIAMP BARGRAPH BOARD	1
6	BIAMP BARGRAPH BOARD	1
7	BIAMP BARGRAPH BOARD	1

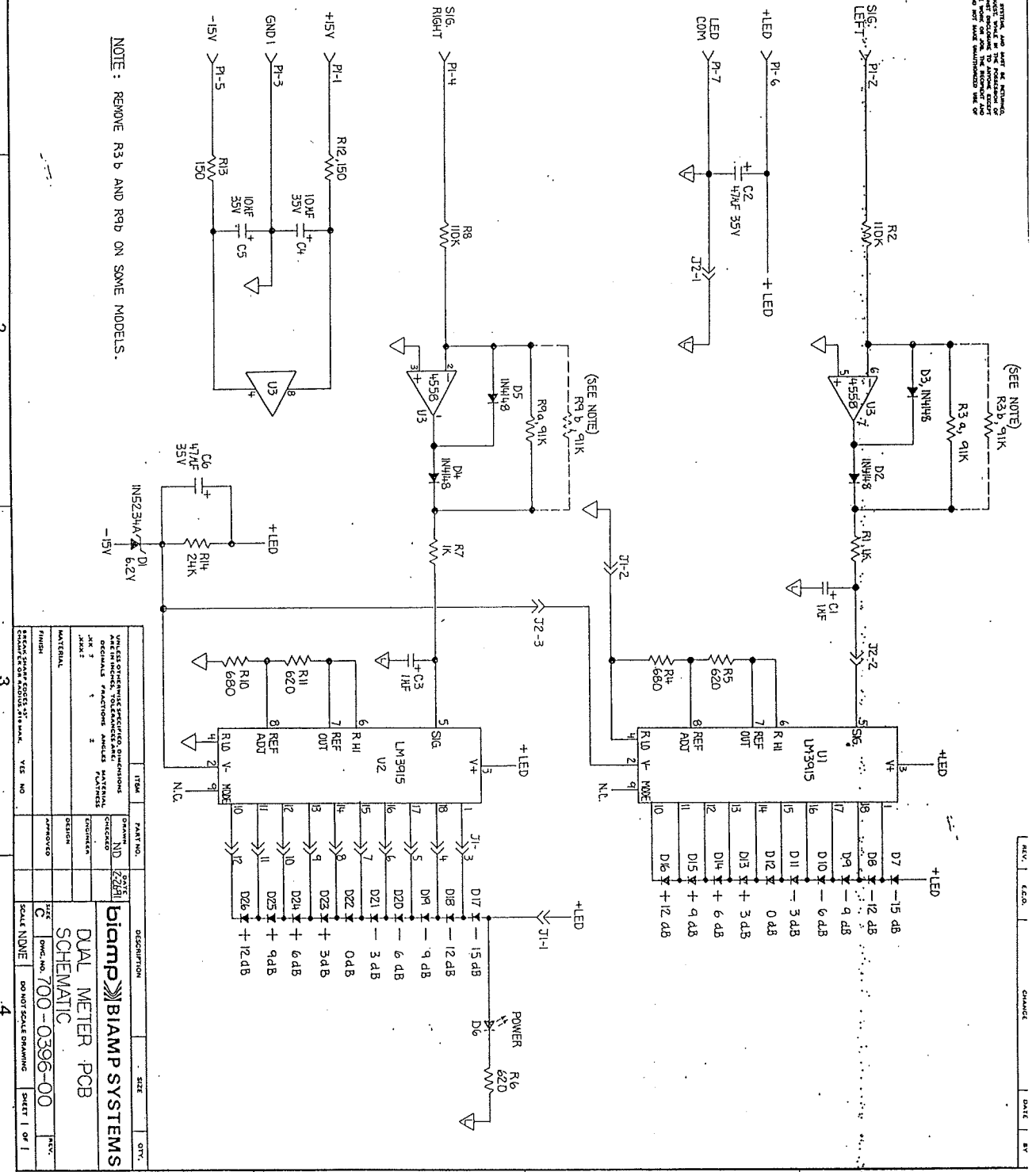
A B C D

REV.	DATE	BY	CHANGE
001	07-89	ND	380-0186-00 REV D FILM
002	07-89	ND	MOVE POWER LED
003	03-91	ND	CHG D. R6 FROM 330Ω TO 620Ω
004	07-91	ND	CHG D. R2, R3, R8, R9 FOR +4dBu REF

**Biamp** BIAMP SYSTEMS  
 COMPONENT LAYOUT  
 RACKMAX BARGRAPH BOARD

UNLESS OTHERWISE SPECIFIED DIMENSIONS ARE IN INCHES. TOLERANCES ARE: ANGLES MATERIALS XXXX  
 FINISH: BREAK SHARP EDGES 45° CHAMFER OR RADIUS .010 MAX.  
 SCALE 2X DO NOT SCALE DRAWING SHEET 6 OF 6

THIS DRAWING IS THE PROPERTY OF BIAAMP SYSTEMS, INC. AND IS NOT TO BE REPRODUCED OR TRANSMITTED IN ANY FORM OR BY ANY MEANS, ELECTRONIC OR MECHANICAL, INCLUDING PHOTOCOPYING, RECORDING, OR BY ANY INFORMATION STORAGE AND RETRIEVAL SYSTEM, WITHOUT THE WRITTEN PERMISSION OF BIAAMP SYSTEMS, INC.



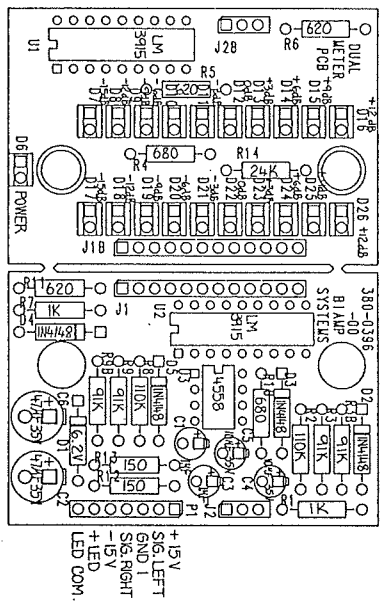
NOTE: REMOVE R3 b AND R4 b ON SOME MODELS.

ITEM	PART NO.	DESCRIPTION	QTY.
1	220H	DIODES	1
2	220H	DIODES	1
3	220H	DIODES	1
4	220H	DIODES	1
5	220H	DIODES	1
6	220H	DIODES	1
7	220H	DIODES	1
8	220H	DIODES	1
9	220H	DIODES	1
10	220H	DIODES	1
11	220H	DIODES	1
12	220H	DIODES	1
13	220H	DIODES	1
14	220H	DIODES	1
15	220H	DIODES	1
16	220H	DIODES	1
17	220H	DIODES	1
18	220H	DIODES	1
19	220H	DIODES	1
20	220H	DIODES	1
21	220H	DIODES	1
22	220H	DIODES	1
23	220H	DIODES	1
24	220H	DIODES	1
25	220H	DIODES	1
26	220H	DIODES	1

THIS DRAWING IS THE PROPERTY OF BIAMP SYSTEMS, INC. AND IS NOT TO BE REPRODUCED OR TRANSMITTED IN ANY FORM OR BY ANY MEANS, ELECTRONIC OR MECHANICAL, INCLUDING PHOTOCOPYING, RECORDING, OR BY ANY INFORMATION STORAGE AND RETRIEVAL SYSTEM. THE DESIGN OF THIS DRAWING IS THE PROPERTY OF BIAMP SYSTEMS, INC. AND IS NOT TO BE REPRODUCED OR TRANSMITTED IN ANY FORM OR BY ANY MEANS, ELECTRONIC OR MECHANICAL, INCLUDING PHOTOCOPYING, RECORDING, OR BY ANY INFORMATION STORAGE AND RETRIEVAL SYSTEM.

BIAMP SYSTEMS  
 14270 N.W. Science Park Drive  
 Portland, Oregon 97229  
 (503) 641-7287

380-0396-00  
 DUAL METER PCB  
 Sheet 1 of 5: Silkscreen



NOTE: REMOVE R35 AND R40 ON SOME MODELS.

ITEM	PART NO.	DESCRIPTION	SIZE	QTY.
1	ND	BIAMP SYSTEMS		
2	ND	DUAL METER PCB		
3	ND	COMPONENT LAYOUT		
4	ND	701-0396-00		

1 2 3 4







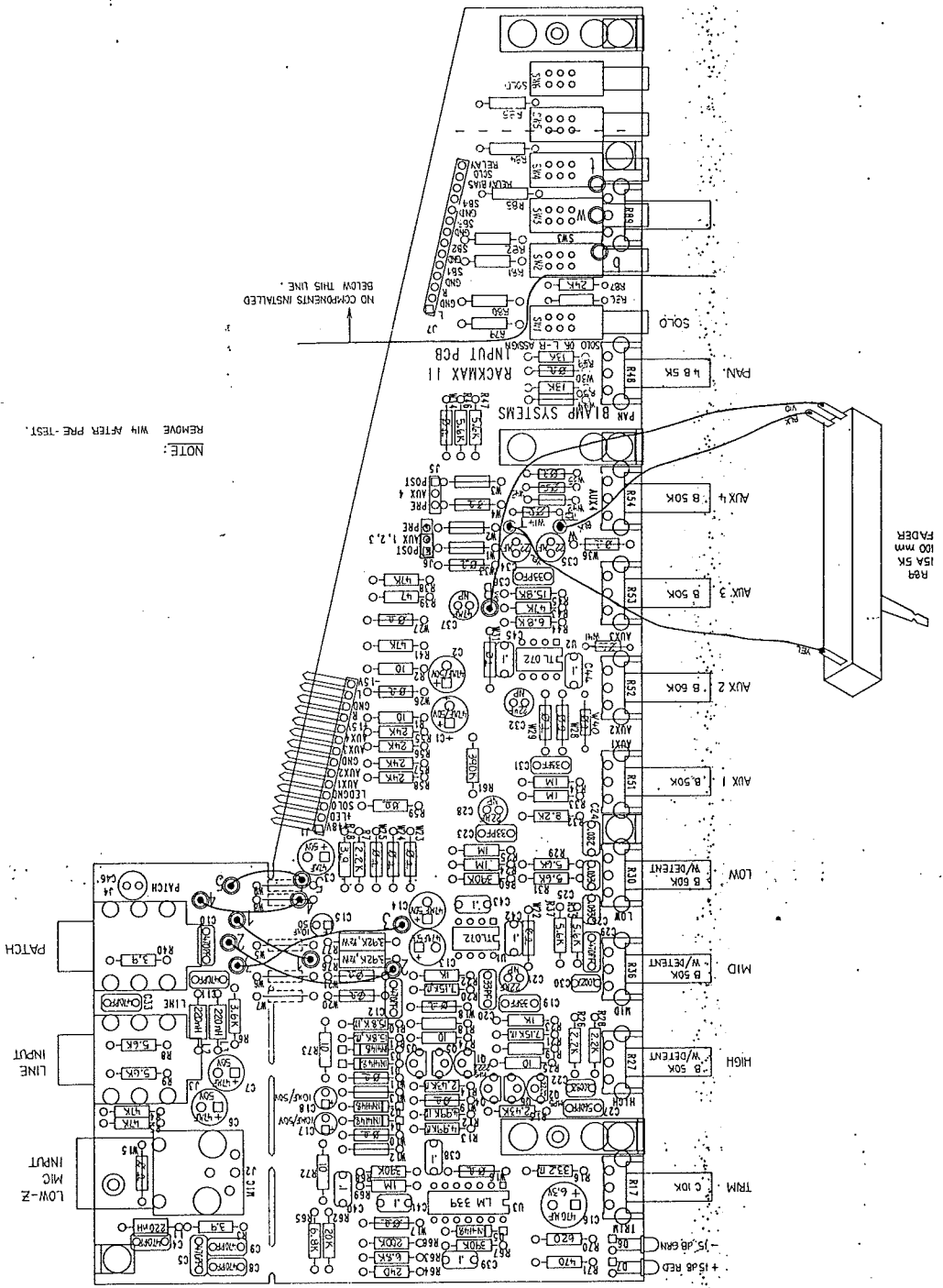




ALL DIMENSIONS ARE IN MILLIMETERS UNLESS OTHERWISE SPECIFIED  
 DIMENSIONS TO CENTER UNLESS OTHERWISE SPECIFIED  
 DIMENSIONS TO FACE UNLESS OTHERWISE SPECIFIED  
 DIMENSIONS TO EDGE UNLESS OTHERWISE SPECIFIED  
 DIMENSIONS TO CENTER UNLESS OTHERWISE SPECIFIED  
 DIMENSIONS TO FACE UNLESS OTHERWISE SPECIFIED  
 DIMENSIONS TO EDGE UNLESS OTHERWISE SPECIFIED

3800230A JOB - Sat May 12 10:26:43 1990

A B C D E F G H



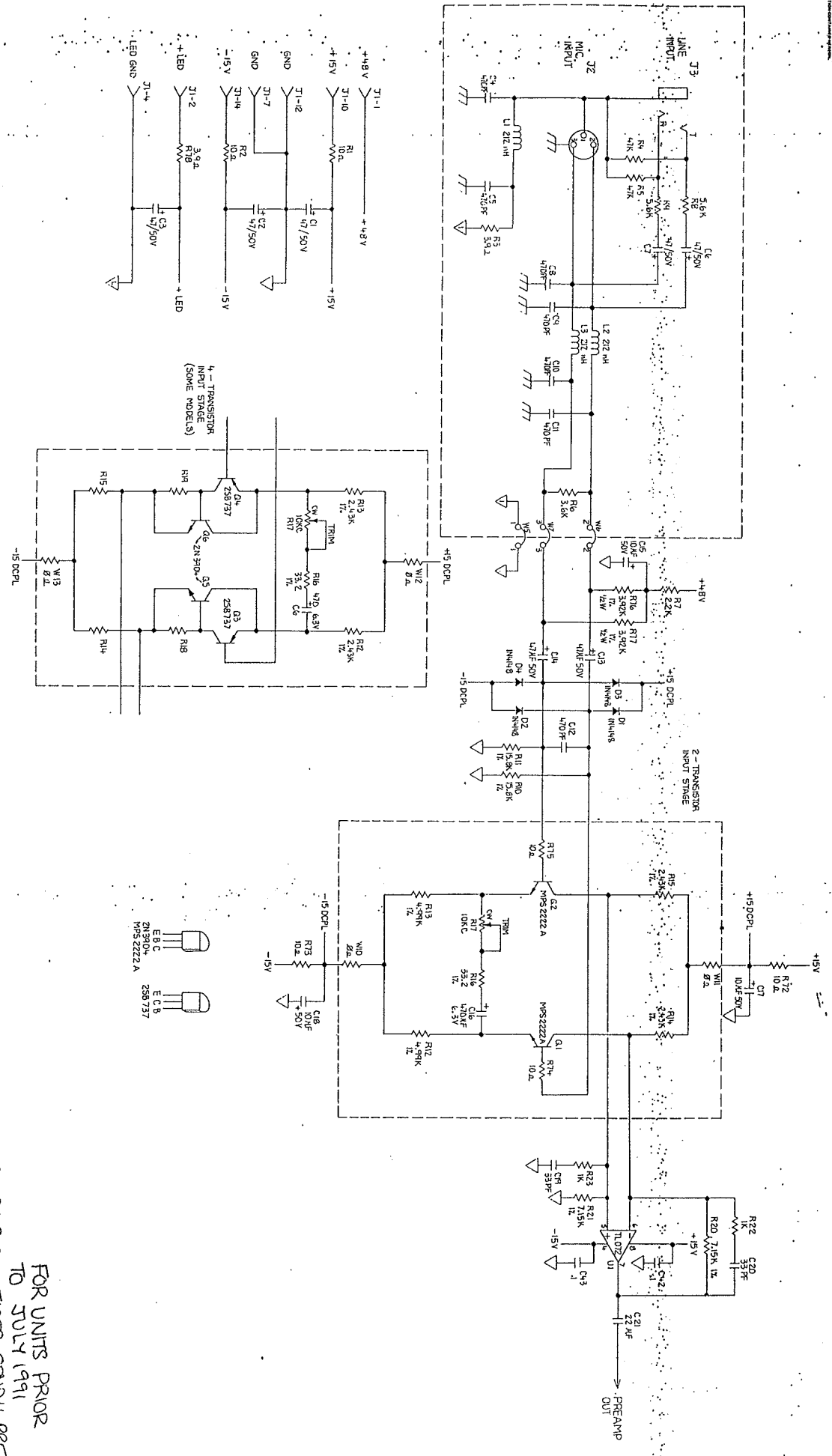
NOTE: REMOVE WIP AFTER PRE-TEST.

BIAMP SYSTEMS  
 RACKMAX II INPUT PCB  
 380-0230-01  
 REV C

<b>Blamp</b> BIAMP SYSTEMS, INC. 10000 W. 10TH AVE. NORTHGLENN, CA 95720	
COMPANY NO. 230 PROJECT NO. 380-0230-01 DRAWING NO. 70-0231-00 SHEET 2/1	DATE: 5/12/90 TIME: 10:26:43 JOB: 3800230A
DESIGNER: [blank] CHECKED: [blank] APPROVED: [blank]	TITLE: [blank]

REV	DATE	DESCRIPTION	BY
A	05/12/90	REV C FILM	WJ
B	05/12/90	REV D SERVOES TO 1/2 POS. 3.1" FEE	WJ

ALL DIMENSIONS ARE IN MILLIMETERS UNLESS OTHERWISE SPECIFIED  
 DIMENSIONS IN PARENTHESES ARE FOR INFORMATION ONLY  
 DIMENSIONS IN INCHES ARE FOR INFORMATION ONLY  
 DIMENSIONS IN MILLIMETERS ARE FOR INFORMATION ONLY  
 DIMENSIONS IN INCHES ARE FOR INFORMATION ONLY



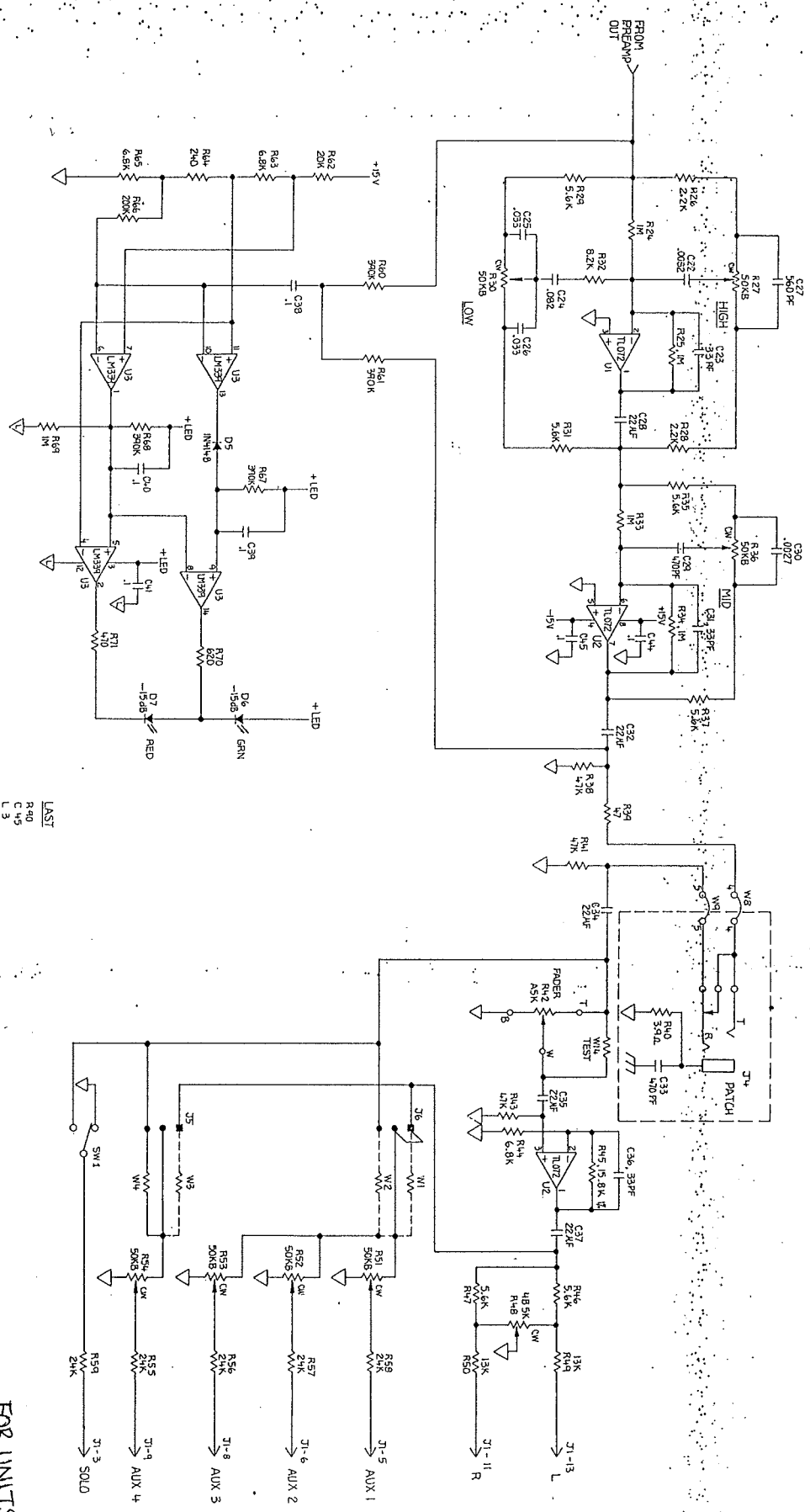
NO.	QTY	DESCRIPTION	UNIT
1	1	4-TRANSISTOR INPUT STAGE (SOME MODELS)	PCB
2	1	2-TRANSISTOR INPUT STAGE	PCB
3	1	PREAMP	PCB
4	1	OUT	PCB

FOR UNITS PRIOR TO JULY 1991 SENDS 1-3 POST FADER, SEND 4 PRE

<b>biamp</b> BIAMP SYSTEMS, INC. 1000 W. GARDNER PARK DRIVE WILSON, N.C. 27158	SCHEMATIC CASCADE 12, 16, 20 INVERT (Part No. 7000-0231-00)
---	---

REV.	DATE	DESCRIPTION	BY	APP.
A	03-90	CHG RT FROM 470 Ω TO 2.2K	W	ND

THIS DRAWING IS THE PROPERTY OF BIAMP SYSTEMS, INC. IT IS TO BE USED ONLY FOR THE PROJECT AND QUANTITY SPECIFIED HEREON. IT IS NOT TO BE REPRODUCED, COPIED, OR TRANSMITTED IN ANY FORM OR BY ANY MEANS, ELECTRONIC OR MECHANICAL, INCLUDING PHOTOCOPYING, RECORDING, OR BY ANY INFORMATION STORAGE AND RETRIEVAL SYSTEM. WITHOUT THE WRITTEN PERMISSION OF BIAMP SYSTEMS, INC.



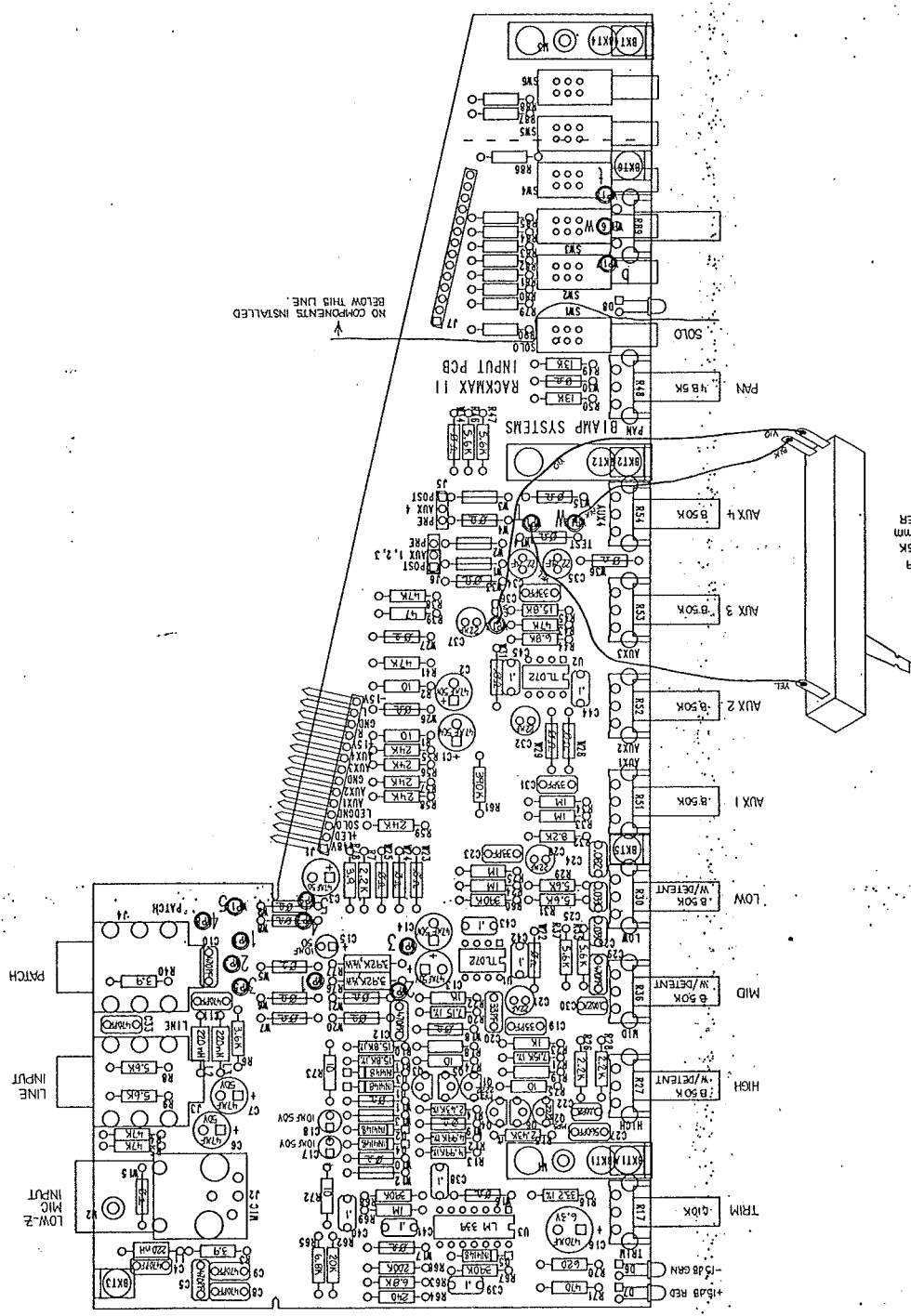
- LAST
- R-40
  - C-45
  - D-3
  - D-2
  - D-1
  - D-6
  - U-3
  - U-2
  - U-1
  - U-50

BIAMP SYSTEMS, INC.		BLAMP SYSTEMS, INC.	
12100 W. 10th Avenue, Suite 100, Golden, CO 80401		12100 W. 10th Avenue, Suite 100, Golden, CO 80401	
CASCAD 12/16/20 INPUT		CASCAD 12/16/20 INPUT	
REV. 01		REV. 01	
DATE: 07/19/91		DATE: 07/19/91	
DRAWN: [Name]		DRAWN: [Name]	
CHECKED: [Name]		CHECKED: [Name]	
APPROVED: [Name]		APPROVED: [Name]	
SHEET 2 OF 2		SHEET 2 OF 2	

FOR UNITS PRIOR TO JULY 1991

THIS DRAWING IS THE PROPERTY OF BIAMP SYSTEMS, INC. IT IS TO BE USED ONLY FOR THE PROJECT AND SITE SPECIFICALLY IDENTIFIED HEREIN. IT IS NOT TO BE REPRODUCED, COPIED, OR TRANSMITTED IN ANY FORM OR BY ANY MEANS, ELECTRONIC OR MECHANICAL, INCLUDING PHOTOCOPYING, RECORDING, OR BY ANY INFORMATION STORAGE AND RETRIEVAL SYSTEM, WITHOUT THE WRITTEN PERMISSION OF BIAMP SYSTEMS, INC.

A B C D E F G H



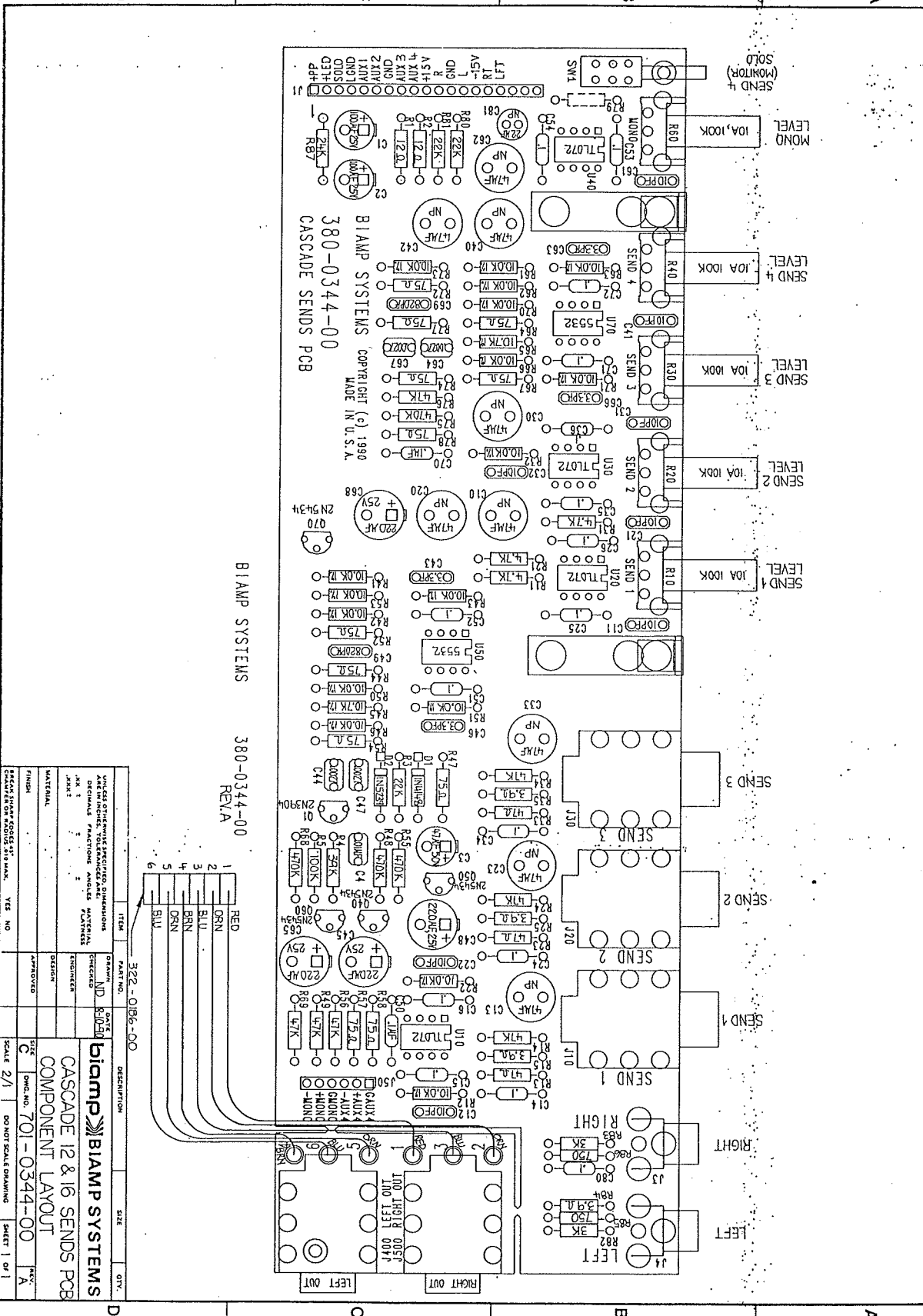
380-0230-00  
 RACKMAX II INPUT PCB  
 REV A  
 UNITS PRIOR  
 TO JULY 1991

<b>biamp</b> BIAMP SYSTEMS, INC. 10000 W. 10th Street, Suite 100 Golden, CO 80401 (303) 440-1000	
PROJECT NO. 10-0230-00	DRAWING NO. 380-0230-00
DATE 10/20/90	REVISION REV A
DESIGNED BY J. W.	CHECKED BY J. W.
DRAWN BY J. W.	APPROVED BY J. W.

REV	DATE	DESCRIPTION
A	07/25/90	CHG'D FR FROM 10/04/02/24 (1/1/90) ND



This drawing is the property of Biamp Systems, Inc. and is not to be reproduced, stored in a retrieval system, or transmitted in any form or by any means, electronic, mechanical, photocopying, recording, or by any information storage and retrieval system, without the prior written permission of Biamp Systems, Inc. The information contained herein is confidential and proprietary.



REV.	ESD.	CHANGE	DATE	BY
A	HF-90	ADDED SW4, R85, R86, R87, CH6D, R82, R83.	11-5-90	ND

ITEM	PART NO.	QTY.
1	RED	
2	ORN	
3	BLU	
4	BRN	
5	ORN	
6	BLU	

DESCRIPTION	SIZE	QTY.
BIAMP SYSTEMS		
CASCADE 12 & 16 SENDS PCB		
COMPONENT LAYOUT		
DATE	SCALE	DO NOT SCALE DRAWING
11/5/90	2/1	SHEET 1 of 1



