

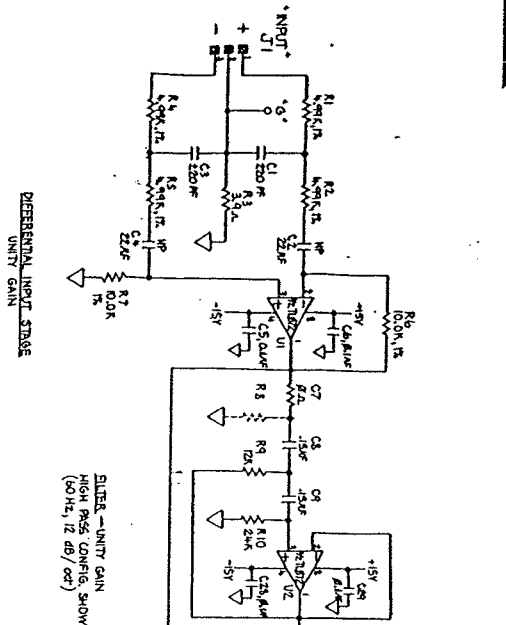
**D60
&
CPA 130
Schematic**

B I A M P[®]

S Y S T E M S

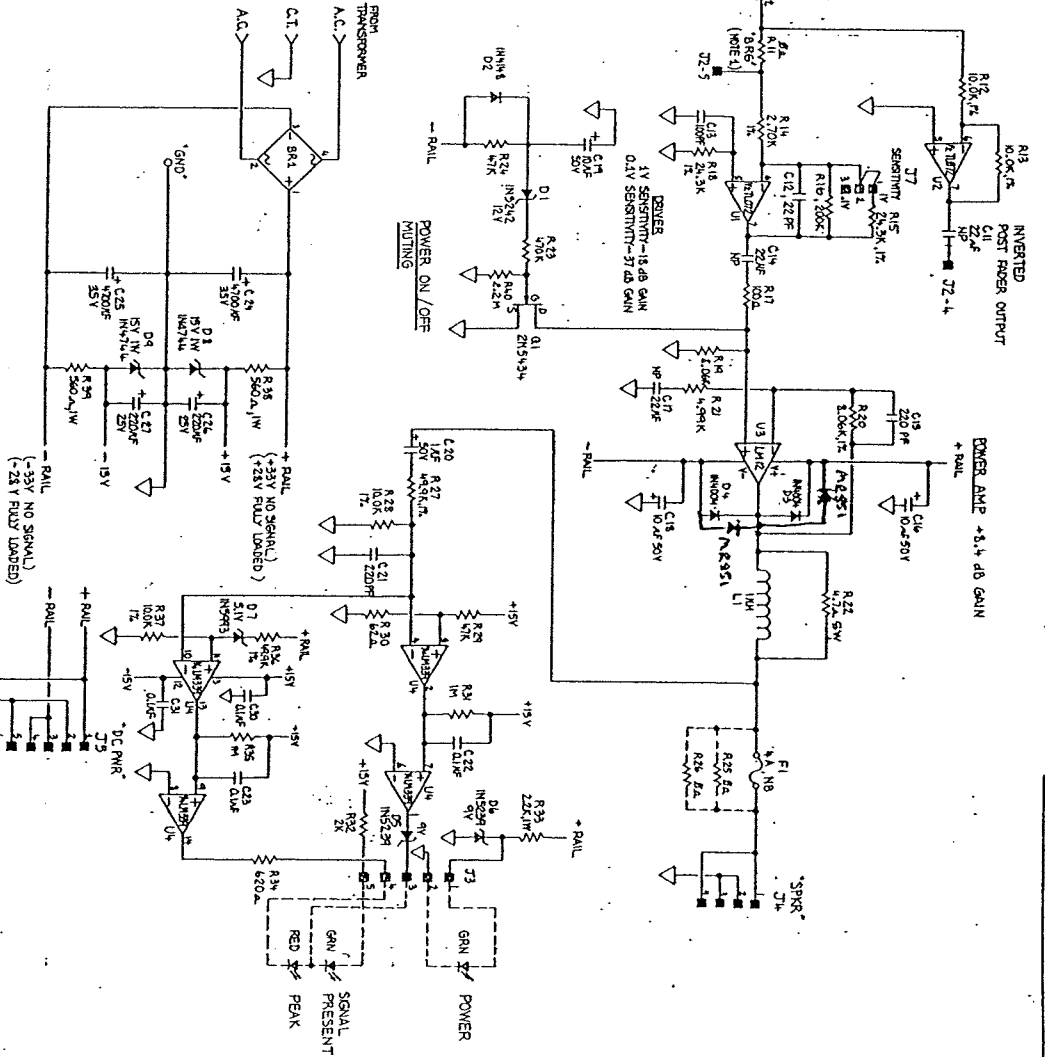
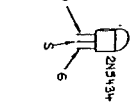
10074 SW Arctic Drive Beaverton, OR 97005 503-641-7287

1. This schematic diagram is for informational purposes only. It is not to be used for repair or maintenance purposes.



NOTE 1. RESISTOR R11 NOT INSTALLED ON UNITS WHICH SUPPORT MONO - BRIDGE OPERATION.

- LAST
- R 10
- C 31
- D 9
- J 7
- L 1



REVISIONS		DATE	BY	APP'D.	REASON FOR CHANGE
1	REVISED	10/1/88	JLM	WJL	REVISED FOR PAPER
2	REVISED	10/1/88	JLM	WJL	REVISED FOR PAPER
3	REVISED	10/1/88	JLM	WJL	REVISED FOR PAPER
4	REVISED	10/1/88	JLM	WJL	REVISED FOR PAPER

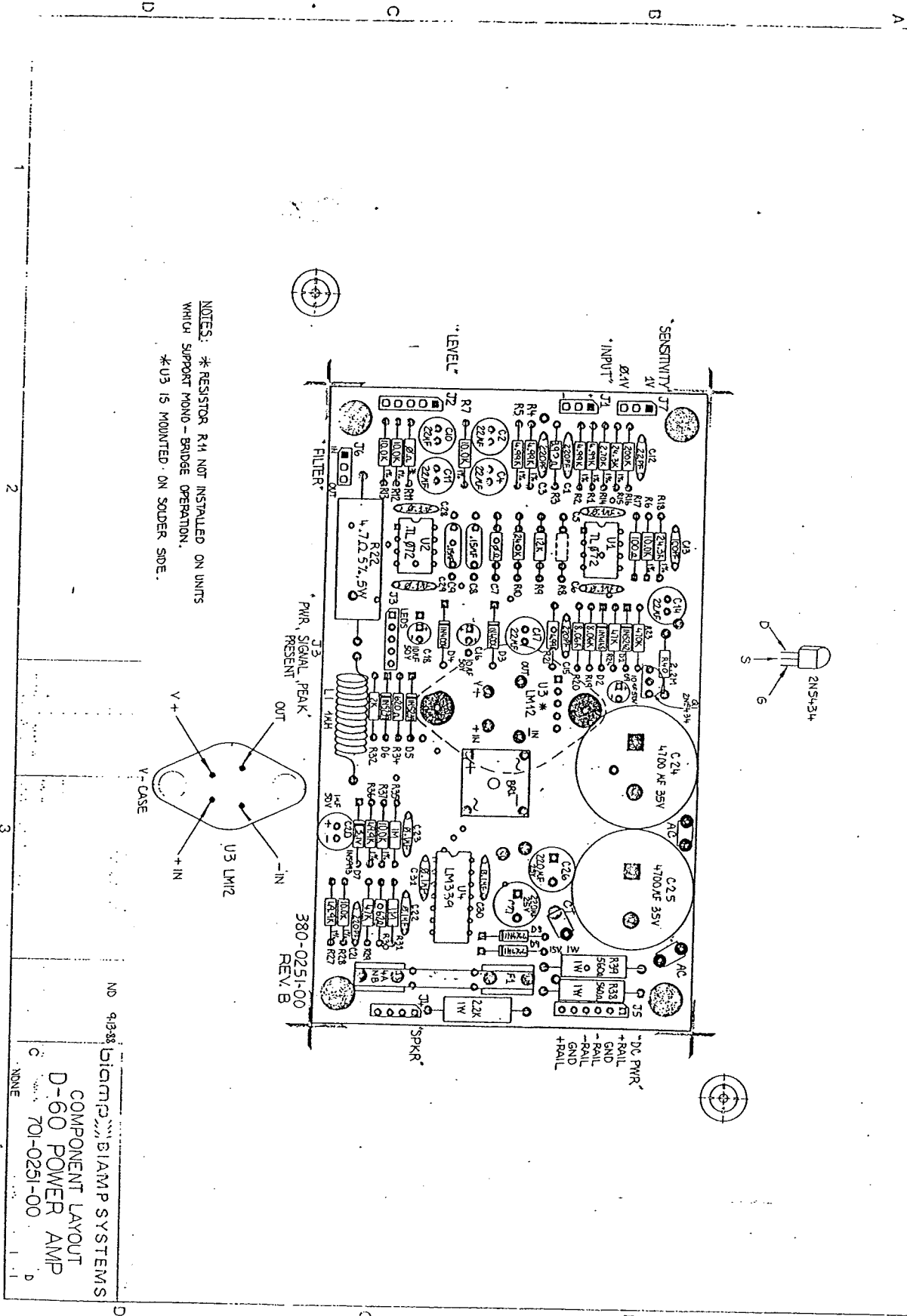
Blampkin BLAMP SYSTEMS, INC.
 4550 VAN BUREN STREET, NORTH HAVEN, CT 06460
 (203) 338-7100
0.60 POWER AMPLIFIER SCHEMATIC
 PART NO. 700-0251-00

REV.	DATE	DESCRIPTION	BY	APP'D.
A	8-5-88	ADDED R40	JLM	WJL
B	8-24-88	CHANGED SPEAK FUSE TO 1.5A	JLM	WJL

A B C D E F G H



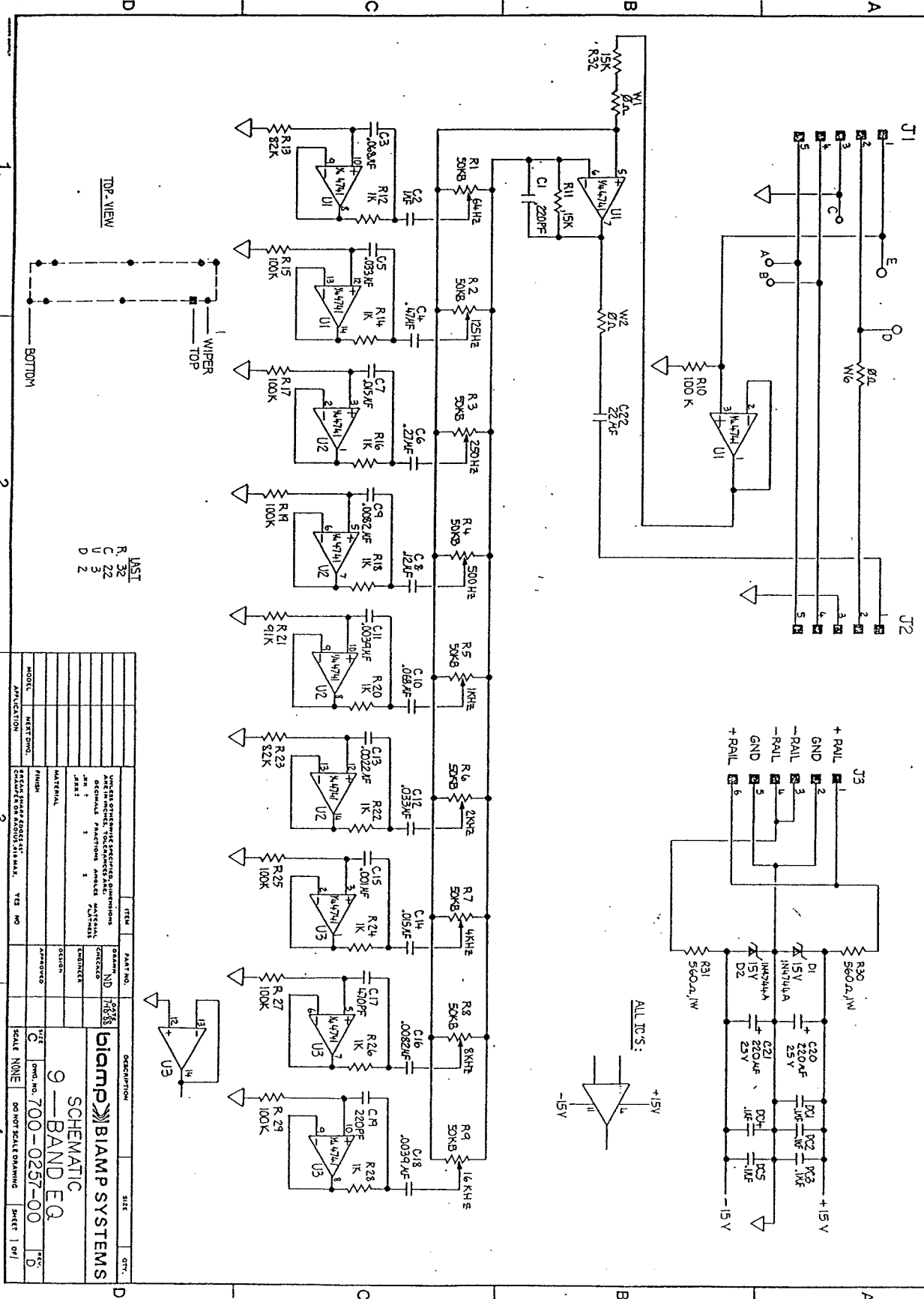
A	315-88	REV A FILM: ALSO ADDED R10	10-19-88	ND
B	365-89	REMOVED HEATSINK FROM BR1	3-7-89	ND
C	073-89	380-0251-00 REV B FILM	3-17-89	ND
D	014-90	CHGD SPRK FUSE TO 1A	1-17-90	ND



NOTES: * RESISTOR R14 NOT INSTALLED ON UNITS WHICH SUPPORT MONO-BRIDGE OPERATION.
* U3 IS MOUNTED ON SOLDER SIDE.

NO 41388
 COMPONENT LAYOUT
 D-60 POWER AMP
 701-0251-00
 NONE

THE ASSURANCE OF THE ACCURACY OF THESE DIMENSIONS, AND THAT OF THE POSITIONING OF THE COMPONENTS, IS THE RESPONSIBILITY OF THE DESIGNER. THE MANUFACTURER SHALL BE RESPONSIBLE FOR THE POSITIONING OF THE COMPONENTS IN THE MOUNTING BOARD. THE MANUFACTURER SHALL BE RESPONSIBLE FOR THE POSITIONING OF THE COMPONENTS IN THE MOUNTING BOARD.



LAST
R. 26
C. 22
D. 3
V. 2

REV.	DATE	DESCRIPTION	BY
C	3/17-88	ADDED C22, SWAPPED J1, J2.	ND
D	3/28-88	ADDED W6 - REV. B FILM.	ND

DESIGNER	DATE	SCALE	SHEET
ND	1/8/88	1:1	1/1

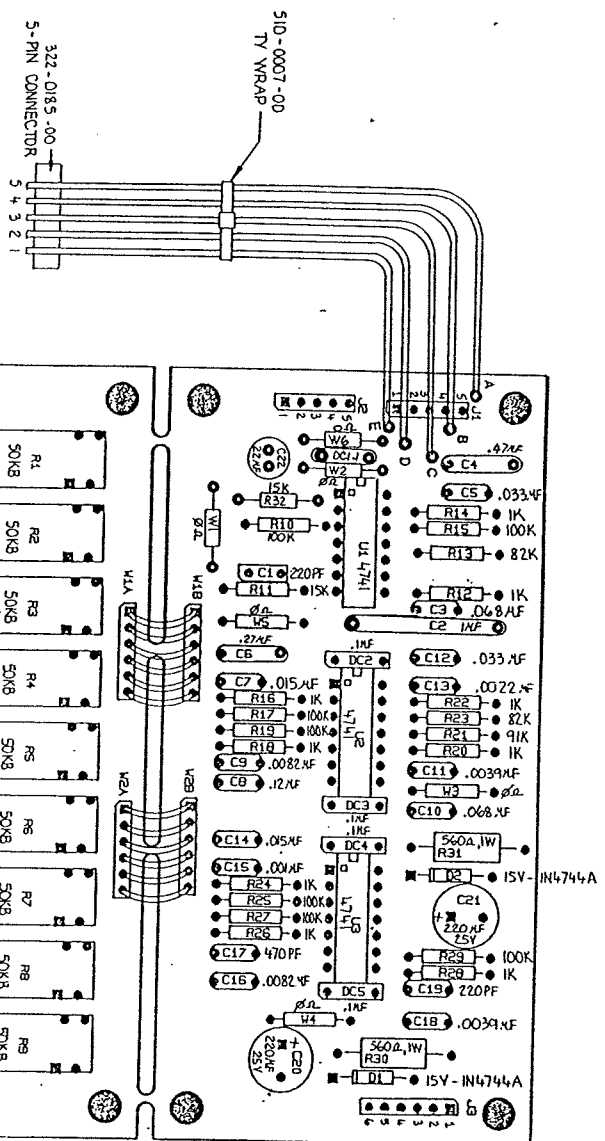
DESCRIPTION	SIZE	QTY.
BIAMP 9-BAND EQ	1.5	1

MODEL	PART NO.	REV.
	700-0257-00	B

APPLICATOR	DATE	SCALE	SHEET
	1/8/88	1:1	1/1

REV.	DATE	DESCRIPTION	BY
C	3/17-88	ADDED C22, SWAPPED J1, J2.	ND
D	3/28-88	ADDED W6 - REV. B FILM.	ND

THIS DRAWING IS THE PROPERTY OF ADAM ELECTRIC, INC. AND IS NOT TO BE REPRODUCED, COPIED, OR TRANSMITTED IN ANY FORM OR BY ANY MEANS, ELECTRONIC OR MECHANICAL, INCLUDING PHOTOCOPYING, RECORDING, OR BY ANY INFORMATION STORAGE AND RETRIEVAL SYSTEM. THE COMPANY ASSUMES NO LIABILITY FOR ANY DAMAGE, LOSS, OR INJURY RESULTING FROM THE USE OF THIS DRAWING. ALL RIGHTS ARE RESERVED.



380-0257-00 REV. B

WIRE	DESCRIPTION	PART NUMBER
A	22 GA ORANGE 14.5"	425-0103-00
B		
C		
D		
E	22 GA BLACK 14.5"	425-0104-00

NO 94688

BIAMP SYSTEMS

COMPONENT LAYOUT

9-BAND EQ

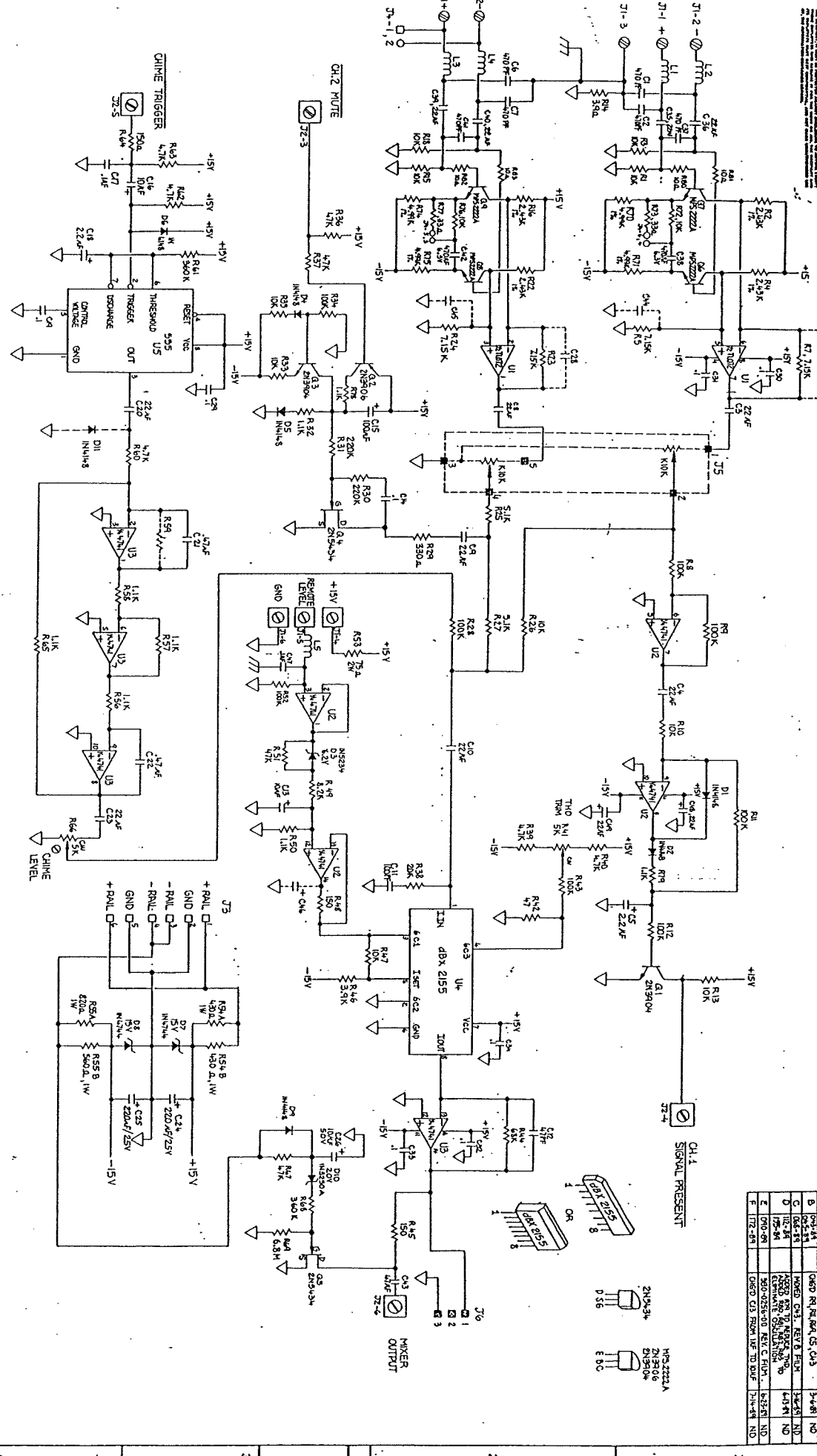
Part No 701-0257-00

Sheet 2X of 1

All Dimensions in Inches unless noted

REV	ECO	CHANGE	DATE	BY
C	37-88	ADDED C22 W/ WZ	10-24-88	ND
D	328-88	ADDED W/6, REV. B, FLU	11-2-88	ND
E	329-88	CHG'D WIRES FROM 4" TO 4.5"	11-3-88	ND

THIS SCHEMATIC IS THE PROPERTY OF BIAAMP SYSTEMS, INC. IT IS TO BE USED ONLY FOR THE EQUIPMENT SPECIFICALLY IDENTIFIED HEREIN. IT IS NOT TO BE REPRODUCED OR TRANSMITTED IN ANY FORM OR BY ANY MEANS, ELECTRONIC OR MECHANICAL, INCLUDING PHOTOCOPYING, RECORDING, OR BY ANY INFORMATION STORAGE AND RETRIEVAL SYSTEM, WITHOUT THE WRITTEN PERMISSION OF BIAAMP SYSTEMS, INC.

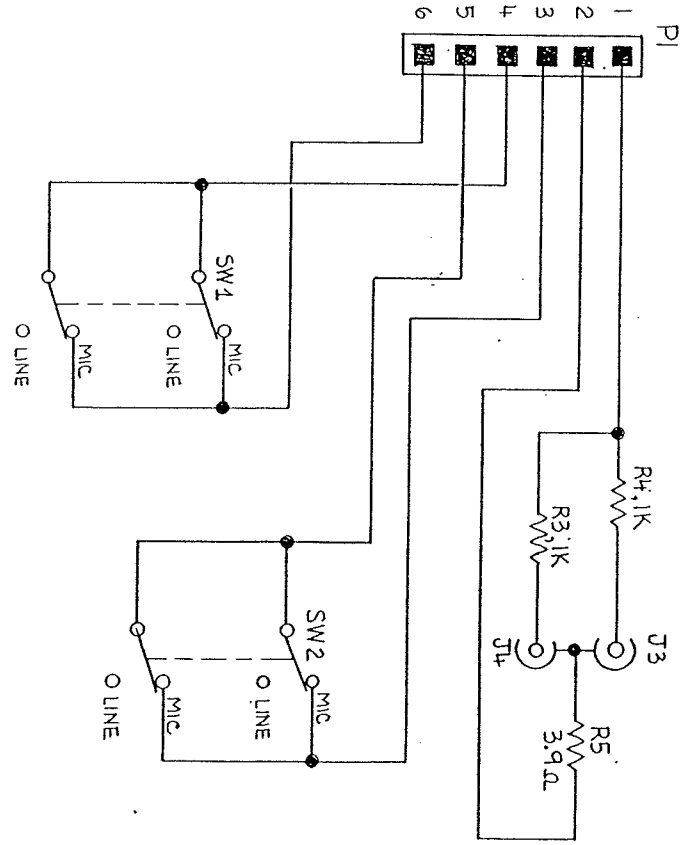
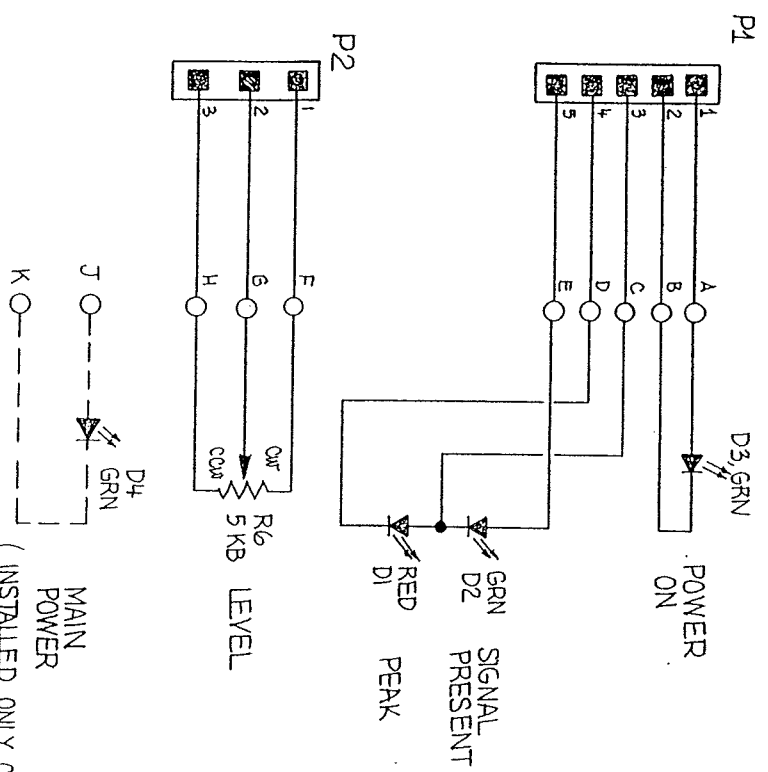


NO.	QTY.	DESCRIPTION	MANUFACTURER	DATE
1	1	741	TI	
2	1	741	TI	
3	1	741	TI	
4	1	741	TI	
5	1	741	TI	
6	1	741	TI	
7	1	741	TI	
8	1	741	TI	
9	1	741	TI	
10	1	741	TI	
11	1	741	TI	
12	1	741	TI	
13	1	741	TI	
14	1	741	TI	
15	1	741	TI	
16	1	741	TI	
17	1	741	TI	
18	1	741	TI	
19	1	741	TI	
20	1	741	TI	
21	1	741	TI	
22	1	741	TI	
23	1	741	TI	
24	1	741	TI	
25	1	741	TI	
26	1	741	TI	
27	1	741	TI	
28	1	741	TI	
29	1	741	TI	
30	1	741	TI	
31	1	741	TI	
32	1	741	TI	
33	1	741	TI	
34	1	741	TI	
35	1	741	TI	
36	1	741	TI	
37	1	741	TI	
38	1	741	TI	
39	1	741	TI	
40	1	741	TI	
41	1	741	TI	
42	1	741	TI	
43	1	741	TI	
44	1	741	TI	
45	1	741	TI	
46	1	741	TI	
47	1	741	TI	
48	1	741	TI	
49	1	741	TI	
50	1	741	TI	
51	1	741	TI	
52	1	741	TI	
53	1	741	TI	
54	1	741	TI	
55	1	741	TI	
56	1	741	TI	
57	1	741	TI	
58	1	741	TI	
59	1	741	TI	
60	1	741	TI	
61	1	741	TI	
62	1	741	TI	
63	1	741	TI	
64	1	741	TI	
65	1	741	TI	
66	1	741	TI	
67	1	741	TI	
68	1	741	TI	
69	1	741	TI	
70	1	741	TI	
71	1	741	TI	
72	1	741	TI	
73	1	741	TI	
74	1	741	TI	
75	1	741	TI	
76	1	741	TI	
77	1	741	TI	
78	1	741	TI	
79	1	741	TI	
80	1	741	TI	
81	1	741	TI	
82	1	741	TI	
83	1	741	TI	
84	1	741	TI	
85	1	741	TI	
86	1	741	TI	
87	1	741	TI	
88	1	741	TI	
89	1	741	TI	
90	1	741	TI	
91	1	741	TI	
92	1	741	TI	
93	1	741	TI	
94	1	741	TI	
95	1	741	TI	
96	1	741	TI	
97	1	741	TI	
98	1	741	TI	
99	1	741	TI	
100	1	741	TI	

blampk BIAAMP SYSTEMS, INC.
 SCHEMATIC
 D-60 MIXER
 700-0286-00

LAST
 R 33
 C 49
 R 11
 Q 4
 L 5

THIS DRAWING IS THE PROPERTY OF BIAMP SYSTEMS, AND MUST BE RETURNED TO THE DRAWING OFFICE ON REQUEST, WHILE IN THE POSSESSION OF THE RECIPIENT. IT MUST BE PROTECTED AGAINST UNAUTHORIZED USE BY THOSE EMPLOYEES WHO REQUIRE IT FOR THE WORK OR JOB THE INFORMATION CONTAINED HEREON.



MAIN POWER CHANNEL 4 OF 4 CHANNEL UNIT. (INSTALLED ONLY ON CHANNEL 4 OF 4 CHANNEL UNIT.)

ITEM	PART NO.	DESCRIPTION	SIZE	QTY.
BIAMP SYSTEMS				
SCHEMATIC DIAGRAM P.C.B.				
D-60 LED POT & D-60M JACK SW				
UNLESS OTHERWISE SPECIFIED, DIMENSIONS ARE IN INCHES. TOLERANCES ARE: DECIMALS FRACTIONS ANGLES MATERIAL FLATNESS				
.XXX ± ± ±				
MATERIAL				
FINISH				
BREAK SQUARE CORERS .5" CHAMFER OR RADIUS .5" O MAX.				
MODEL	NEXT DWG.	FINISH	YES	NO
APPLICATION		APPROVED		
		DESIGN		
		ENGINEER		
		CHECKED		
		DRAWN		
		DATE		
		9-9-88		

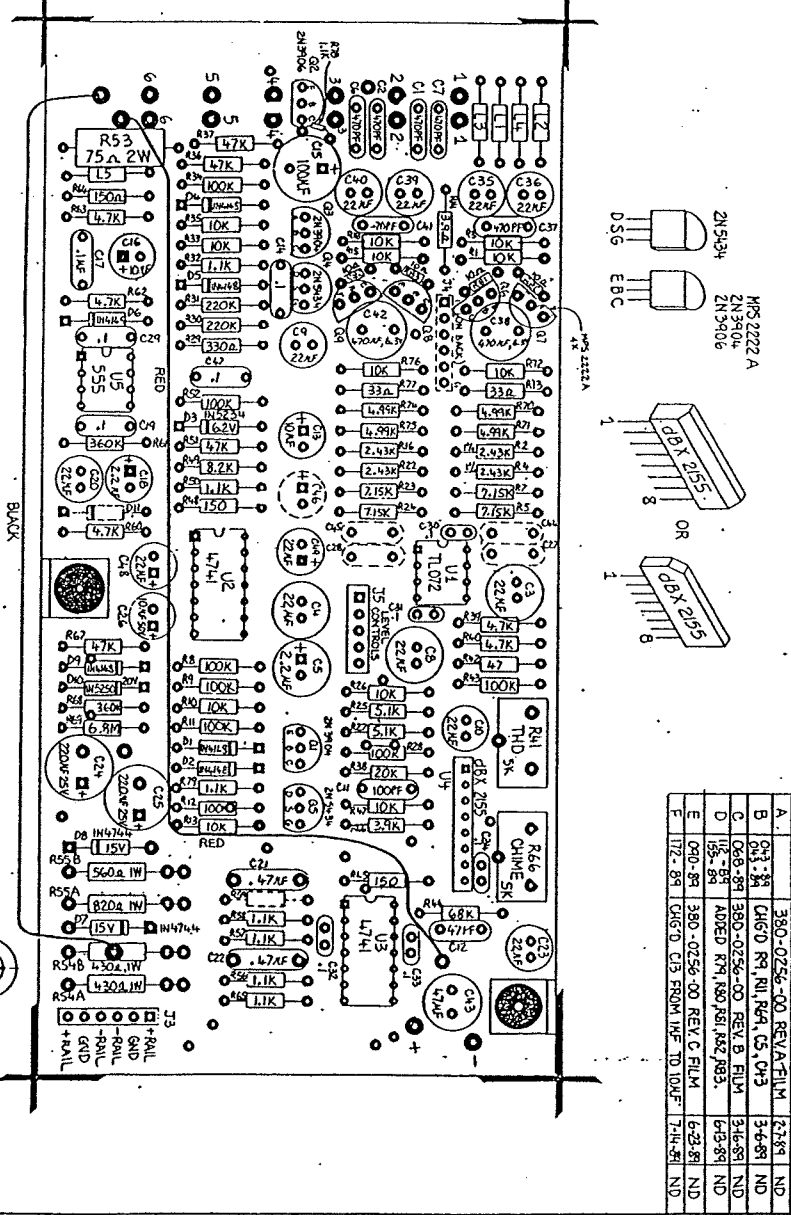
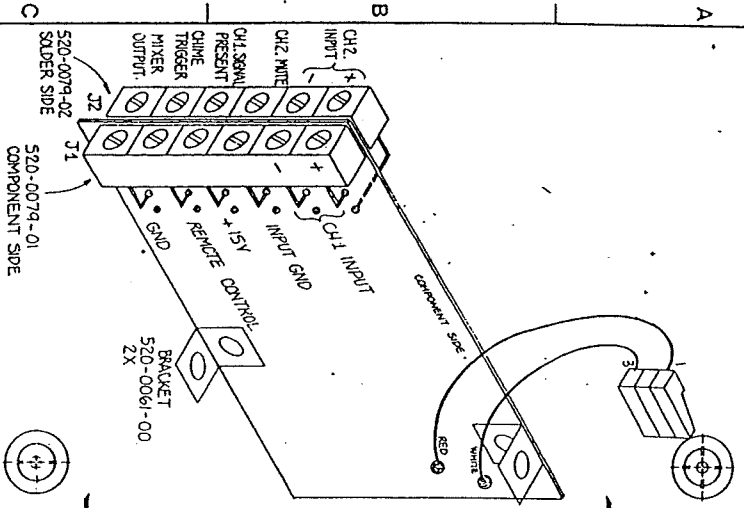
REV.	E.C.O.	CHANGE	DATE	BY
A	044-89	JACK - SWITCH SCHEMATIC REDRAWN FOR ACCURACY.	3-17-89	ND

A B C D

700 - 0260-00
D60 LED POT P.C.B.

700 - 0261-00
D-60M JACK SWITCH P.C.B.

THIS DRAWING IS THE PROPERTY OF BIAMP SYSTEMS, INC. IT IS TO BE USED ONLY FOR THE PROJECT AND QUANTITY SPECIFIED. IT IS NOT TO BE REPRODUCED, COPIED, OR TRANSMITTED IN ANY FORM OR BY ANY MEANS, ELECTRONIC OR MECHANICAL, INCLUDING PHOTOCOPYING, RECORDING, OR BY ANY INFORMATION STORAGE AND RETRIEVAL SYSTEM. ANY UNAUTHORIZED USE OF THIS DRAWING IS PROHIBITED AND WILL BE PROSECUTED TO THE FULL EXTENT OF THE LAW.



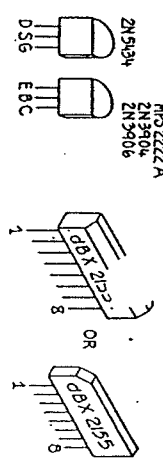
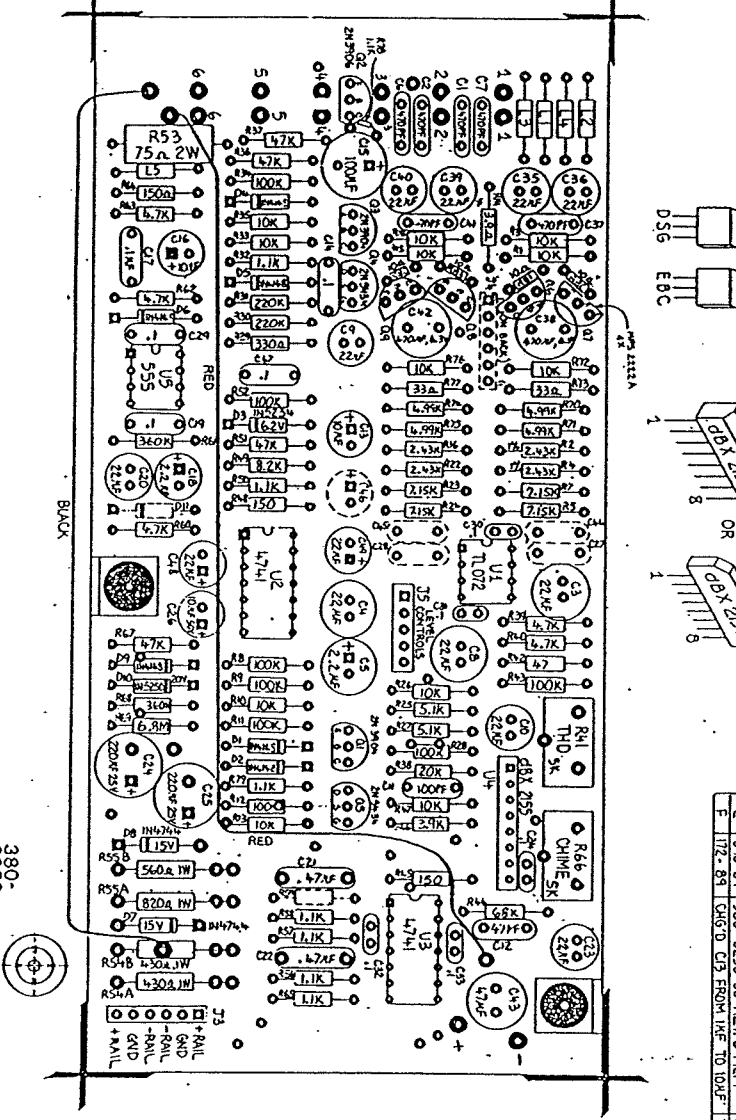
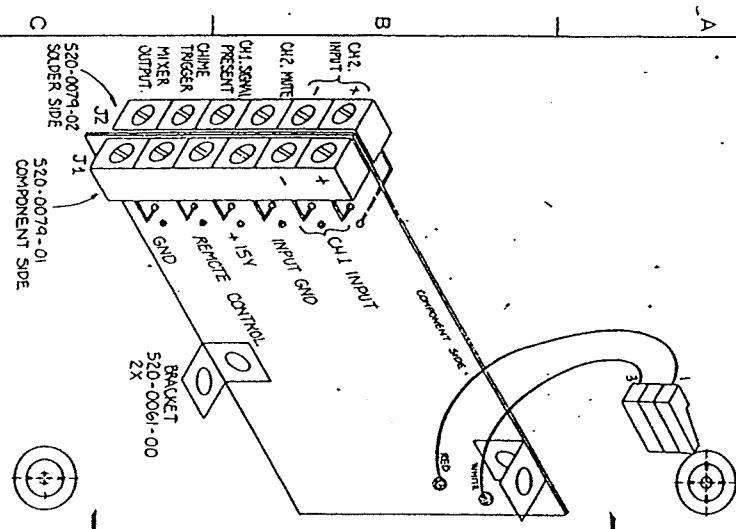
Part No.	Description	Quantity	Notes
A	380-0256-00 REV A FILM	2784	ND
B	041-88	3468	ND
C	068-88	3468	ND
D	112-88	648	ND
E	090-88	648	ND
F	112-88	744	ND

380-0256-00 REV C

Model	Part No.	Rev.	Notes
MODEL	701 0256 00	00	
DESCRIPTION	BIAMP SYSTEMS COMPONENT LAYOUT D-60 MIXER		
DATE	701 0256 00	00	
DESIGNED BY			
CHECKED BY			
APPROVED BY			

THIS DRAWING IS THE PROPERTY OF BIAAMP SYSTEMS, INC. IT IS TO BE KEPT IN CONFIDENCE AND NOT TO BE REPRODUCED OR TRANSMITTED IN ANY FORM OR BY ANY MEANS, ELECTRONIC OR MECHANICAL, INCLUDING PHOTOCOPYING, RECORDING, OR BY ANY INFORMATION STORAGE AND RETRIEVAL SYSTEM.

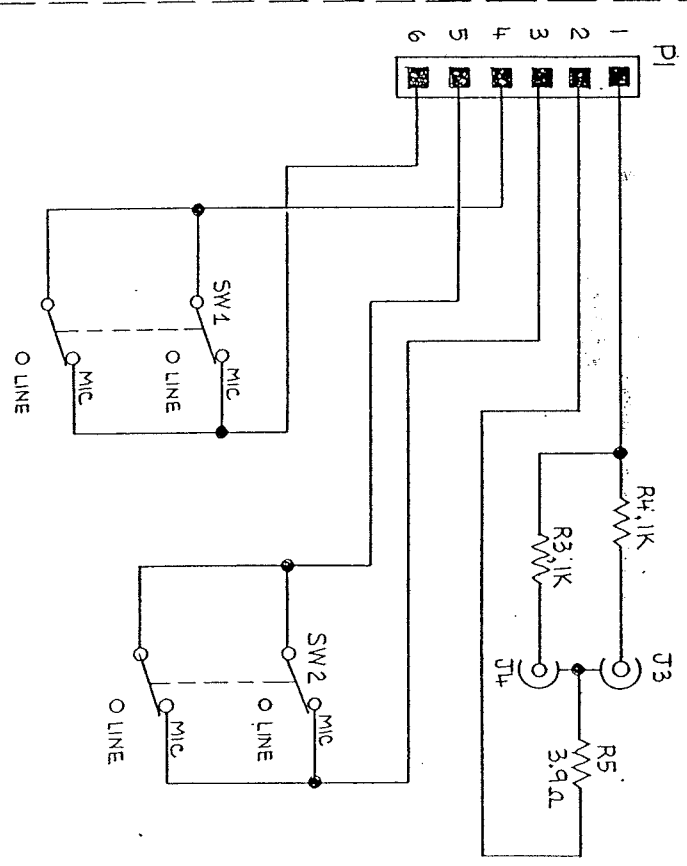
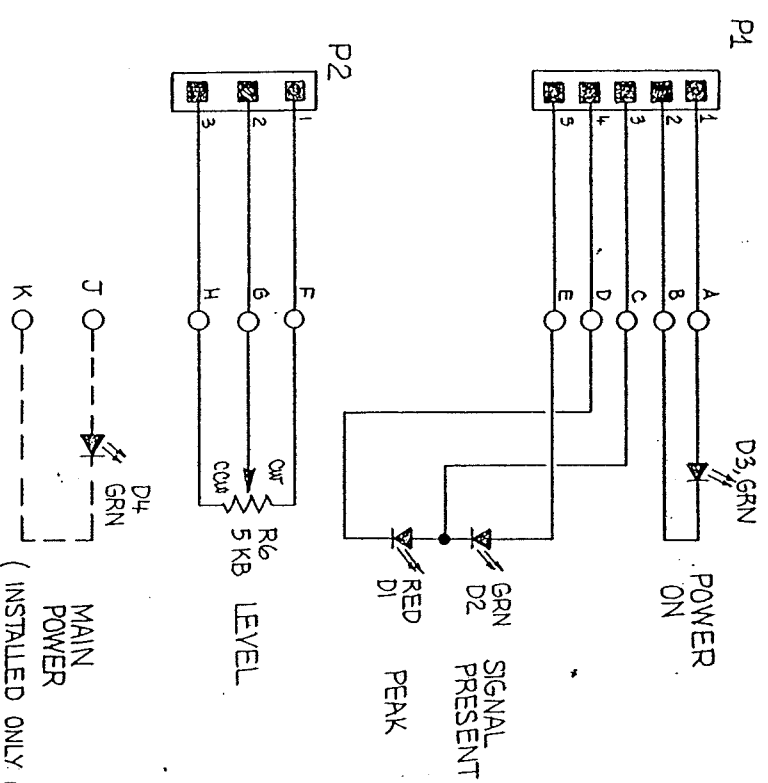
A



B	390-0256-00	REV. B	FILED	3-16-83	ND
C	390-0256-00	REV. B	FILED	3-16-83	ND
D	390-0256-00	REV. C	FILED	5-13-83	ND
E	390-0256-00	REV. C	FILED	5-22-83	ND
F	390-0256-00	REV. C	FILED	7-16-83	ND

1	2	3	4
<p>390-0256-00 REV C</p>			
<p>BIAMP SYSTEMS D-60 MIXER 701 0256 00</p>			
<p>REVISIONS</p>			
NO.	DATE	BY	DESCRIPTION
1	ND 2583		INITIALS
2			
3			
4			
5			
6			
7			
8			
9			
10			
11			
12			
13			
14			
15			
16			
17			
18			
19			
20			
21			
22			
23			
24			
25			
26			
27			
28			
29			
30			
31			
32			
33			
34			
35			
36			
37			
38			
39			
40			
41			
42			
43			
44			
45			
46			
47			
48			
49			
50			
51			
52			
53			
54			
55			
56			
57			
58			
59			
60			
61			
62			
63			
64			
65			
66			
67			
68			
69			
70			
71			
72			
73			
74			
75			
76			
77			
78			
79			
80			
81			
82			
83			
84			
85			
86			
87			
88			
89			
90			
91			
92			
93			
94			
95			
96			
97			
98			
99			
100			

THIS DRAWING IS THE PROPERTY OF BIAMP SYSTEMS, AND MUST BE RETURNED WITHOUT DUPLICATING AT ANY TIME, ON REQUEST, WHILE IN THE POSSESSION OF THE RECIPIENT. THE RECIPIENT AGREES TO HOLD BIAMP SYSTEMS HARMLESS FROM AND TO INDEMNIFY BIAMP SYSTEMS FROM AND AGAINST ALL SUCH EMPLOYEES WHO REQUIRE IT FOR THE WORK ON JOB. THE RECIPIENT AND ITS EMPLOYEES MUST KEEP CONFIDENTIAL, AND NOT MAKE UNAUTHORIZED USE OF THE INFORMATION CONTAINED HEREON.



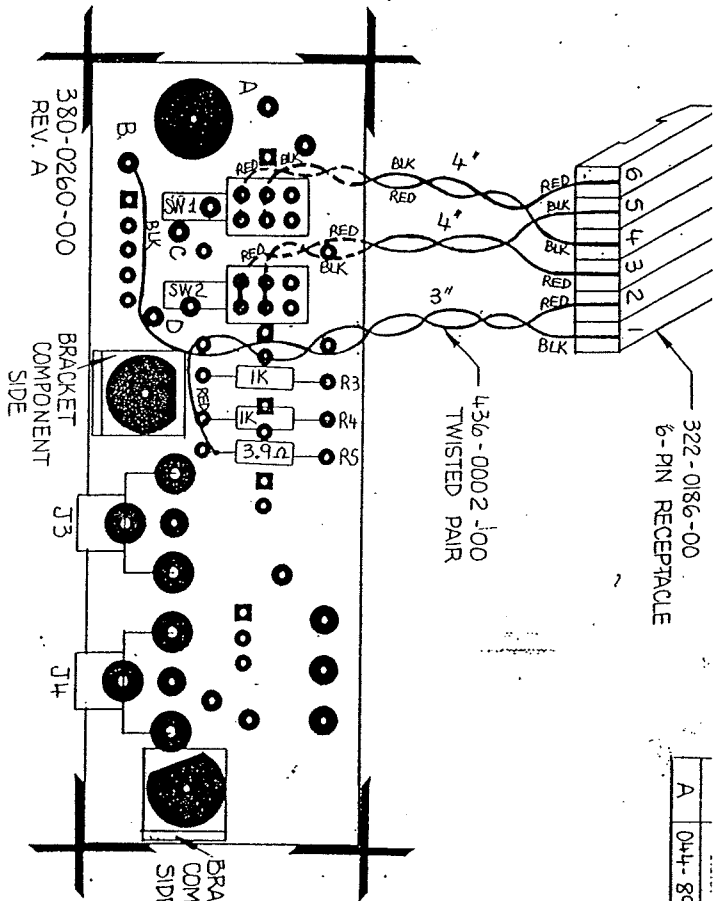
700 - 0260-00
D60 LED POT P.C.B.

ITEM	PART NO.	DESCRIPTION	SIZE	QTY.
	ND 94188	700 - 0261 - 00 D-60M JACK SWITCH P.C.B.		
<p>UNLESS OTHERWISE SPECIFIED, DIMENSIONS ARE IN INCHES. TOLERANCES ARE: DECIMALS FRACTIONS ANGLES MATERIAL FLATNESS</p> <p>.XX ± .XXX ±</p>				
<p>FINISH BREAK SHARP EDGES 1ST CHAMFER OR RADIUS .010 MAX. YES NO</p>				
<p>MODEL NEXT DWG. APPLICATION</p>				

A B C D

A	044-89	JACK-SWITCH SCHEMATIC REDRAWN FOR ACCURACY	3-17-89	ND
---	--------	--	---------	----

THIS DRAWING IS THE PROPERTY OF BIAMP SYSTEMS, AND MUST BE RETURNED WITHOUT DUPLICATING AT ANY TIME, ON REQUEST, WHILE IN THE POSSESSION OF THE RECIPIENT. IT MUST BE PROTECTED AGAINST DISCLOSURE TO ANYONE EXCEPT THE RECIPIENT. REPAIRS OR MODIFICATIONS TO THE WORK OR JOB THE RECIPIENT AND ITS EMPLOYER SHALL BE DONE AT THE RECIPIENT'S RISK, AND NOT MAKE UNAUTHORIZED USE OF THE INFORMATION CONTAINED HEREON.



TITLE PART NO. ND 91788		DESCRIPTION SHEET 1 OF 1	
DATE 701-0261-00		DWG NO. 701-0261-00	
QUANTITY 2X		DO NOT SCALE DRAWING	
DRAWN BY ND		CHECKED BY ND	
ENGINEER ND		APPROVED BY ND	
MATERIALS ND		FINISH ND	
DIMENSIONS ND		WEIGHT ND	
COMMENTS ND		NOTES ND	
REVISIONS ND		APPROVALS ND	

A B C D

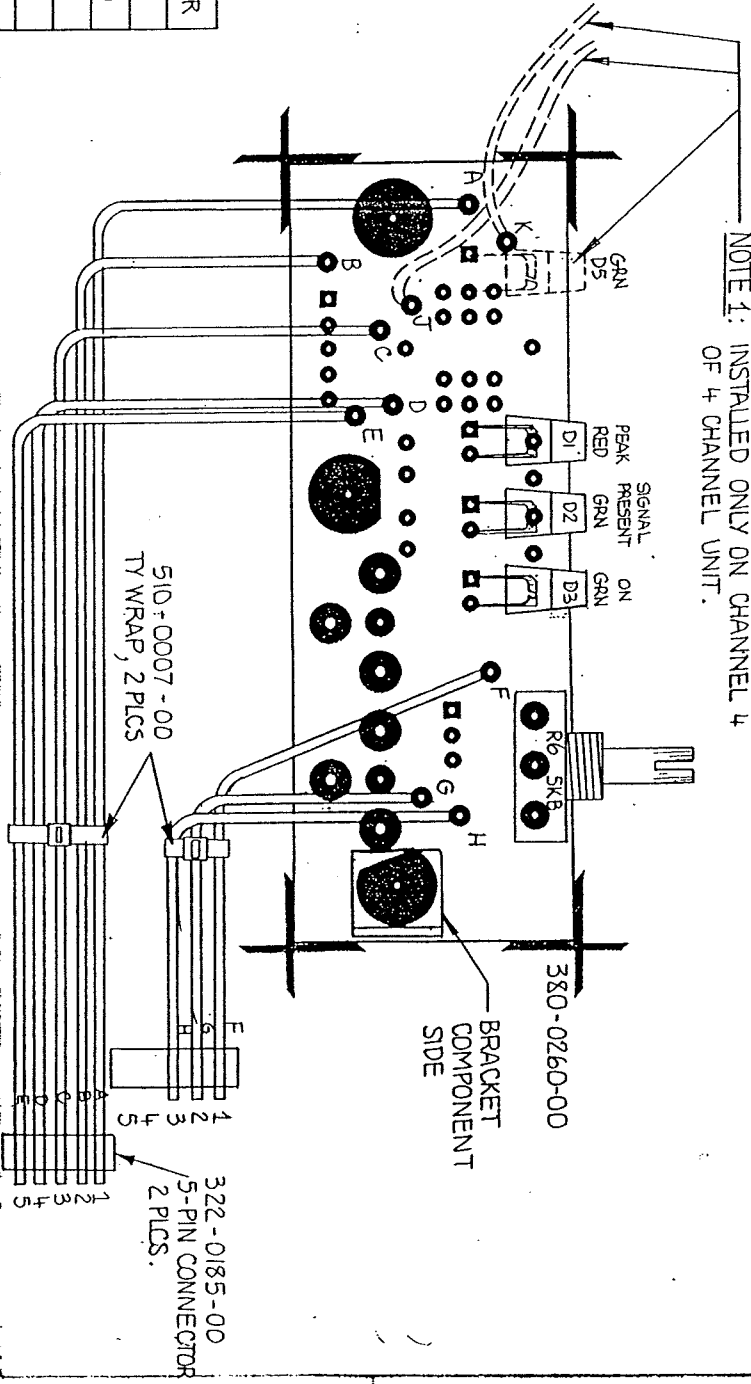
BIAMP SYSTEMS
 D-60M JACK, SWITCH PCB ASSY.
 COMPONENT DIAG.

A 044-89 REDRAWN FOR ACCURACY 3-17-89 ND

THIS DRAWING IS THE PROPERTY OF BIAAMP SYSTEMS, AND MUST BE RETURNED WITHOUT DUPLICATING AT ANY TIME, ON REQUEST, WHILE IN THE POSSESSION OF THE REPERENT. IT MUST BE PROTECTED AGAINST DISCLOSURE TO ANYONE EXCEPT THE PERSONS SPECIFICALLY AUTHORIZED BY BIAAMP SYSTEMS. ALL DRAWINGS AND SPECIFICATIONS MUST BE KEPT CONFIDENTIAL, AND NOT MADE UNAUTHORIZED USE OF THE INFORMATION CONTAINED HEREON.

REV	ECO	CHANGE	DATE	BY
A	329-88	CHG'D WIRES FROM 7" TO 7.5"	11-3-88	ND

NOTE 1: INSTALLED ONLY ON CHANNEL 4 OF 4 CHANNEL UNIT.



WIRE	GAUGE	COLOR	LENGTH	PART NUMBER
A	22	RED	6"	425.0071.00
B	22	WHT	6"	425.0033.00
C	22	WHT	6"	
D	22	WHT	6"	
E	22	WHT	6"	
F	22	BLK	7.5"	425.0076.00
G	22	ORANGE	7.5"	425.0025.00
H	22	ORANGE	7.5"	425.0025.00

ND 9-9-88

BIAMP SYSTEMS

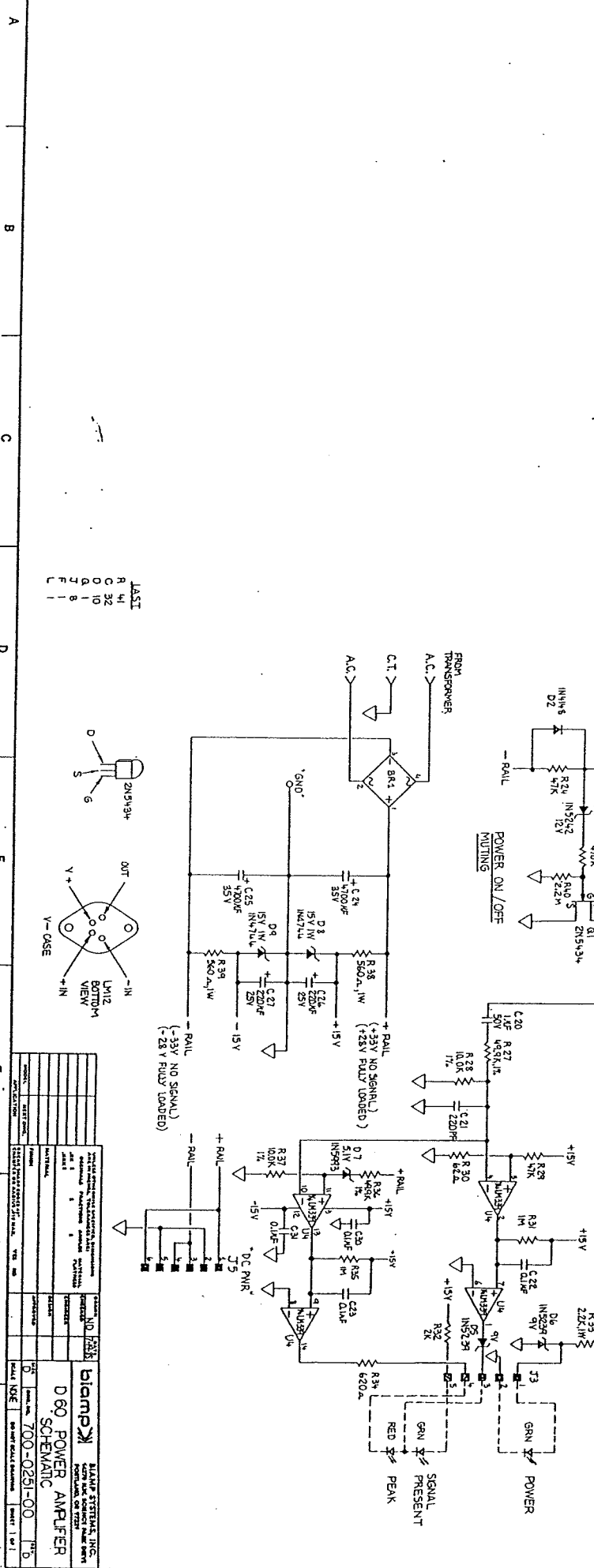
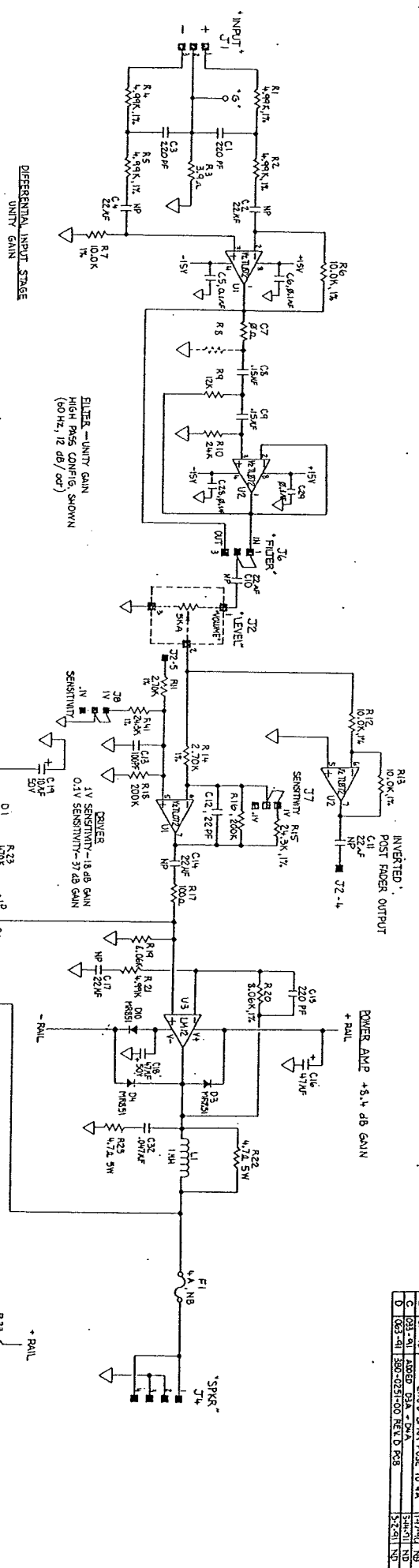
D-60 LED, POT PCB ASSY
COMPONENT LAYOUT DIAG.

701-0260-00

2X

A B C D

THIS SCHEMATIC IS THE PROPERTY OF BIAAMP SYSTEMS, INC. IT IS TO BE USED ONLY FOR THE EQUIPMENT SPECIFICALLY IDENTIFIED HEREIN. IT IS NOT TO BE REPRODUCED OR TRANSMITTED IN ANY FORM OR BY ANY MEANS, ELECTRONIC OR MECHANICAL, INCLUDING PHOTOCOPYING, RECORDING, OR BY ANY INFORMATION STORAGE AND RETRIEVAL SYSTEM, WITHOUT THE WRITTEN PERMISSION OF BIAAMP SYSTEMS, INC.



REV	DESCRIPTION	DATE	BY
1	INITIAL	12/21/77	W. J. WALKER
2	REVISION	12/21/77	W. J. WALKER
3	REVISION	12/21/77	W. J. WALKER
4	REVISION	12/21/77	W. J. WALKER
5	REVISION	12/21/77	W. J. WALKER
6	REVISION	12/21/77	W. J. WALKER
7	REVISION	12/21/77	W. J. WALKER
8	REVISION	12/21/77	W. J. WALKER
9	REVISION	12/21/77	W. J. WALKER
10	REVISION	12/21/77	W. J. WALKER
11	REVISION	12/21/77	W. J. WALKER
12	REVISION	12/21/77	W. J. WALKER
13	REVISION	12/21/77	W. J. WALKER
14	REVISION	12/21/77	W. J. WALKER
15	REVISION	12/21/77	W. J. WALKER
16	REVISION	12/21/77	W. J. WALKER
17	REVISION	12/21/77	W. J. WALKER
18	REVISION	12/21/77	W. J. WALKER
19	REVISION	12/21/77	W. J. WALKER
20	REVISION	12/21/77	W. J. WALKER

NO. 7233	DATE	REV.	BY
700-0251-00	12/21/77	0	W. J. WALKER

700-0251-00	12/21/77	0	W. J. WALKER
-------------	----------	---	--------------

700-0251-00	12/21/77	0	W. J. WALKER
-------------	----------	---	--------------

700-0251-00	12/21/77	0	W. J. WALKER
-------------	----------	---	--------------

BIAMP SYSTEMS, INC. ALABAMA SYSTEMS, INC. 700-0251-00

NO. 7233

DATE 12/21/77

REV. 0

BY W. J. WALKER

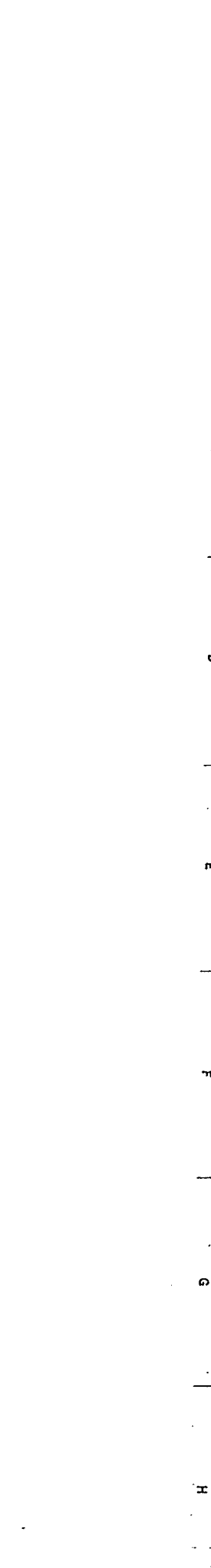
DESCRIPTION D60 POWER AMPLIFIER SCHEMATIC

700-0251-00

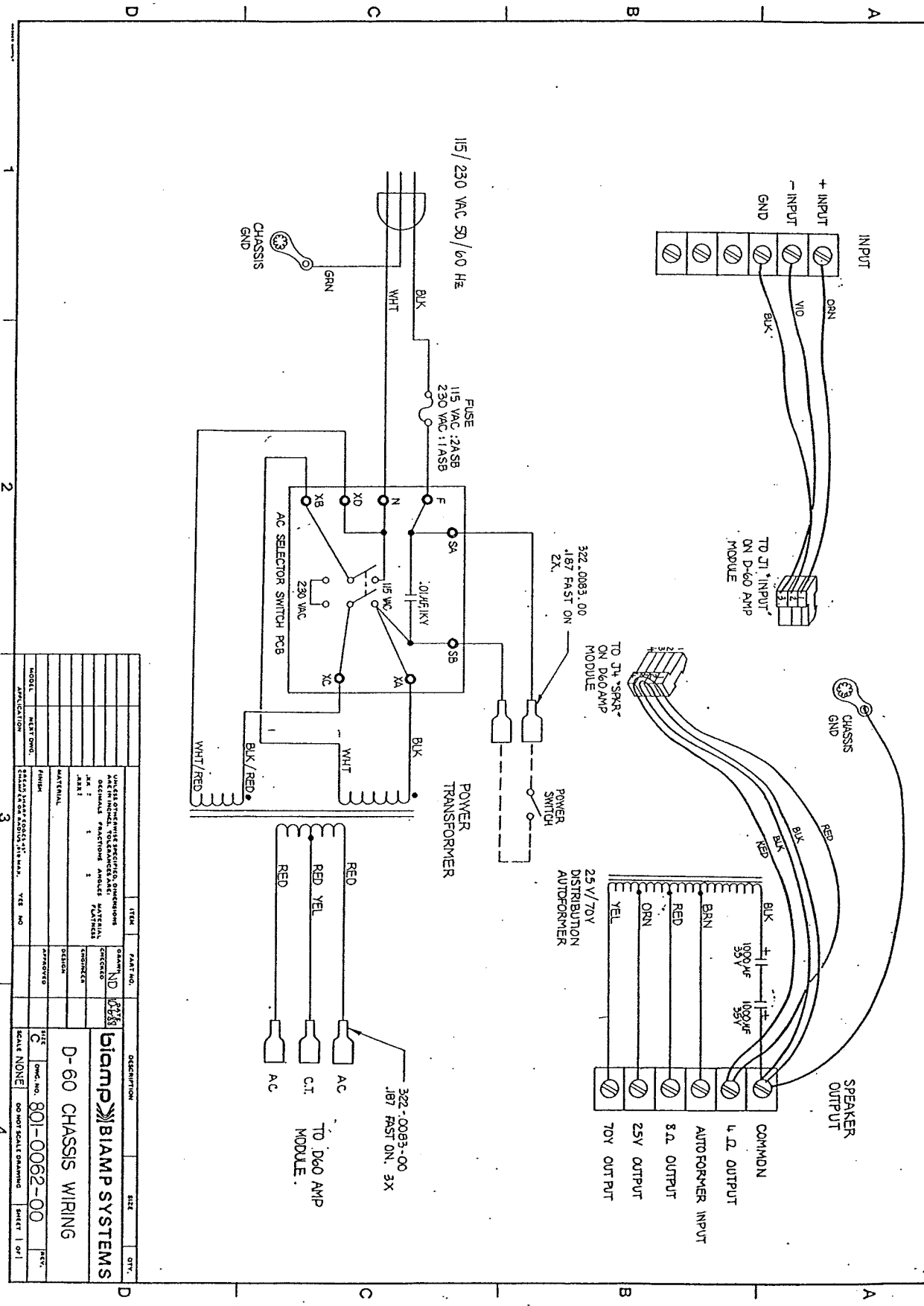
12/21/77

0

W. J. WALKER



THIS DRAWING IS THE PROPERTY OF BIAAMP SYSTEMS, INC. AND SHALL BE RETURNED TO THE COMPANY AT THE END OF THE PROJECT. ANY REVISIONS TO THIS DRAWING SHALL BE APPROVED BY THE COMPANY. THIS DRAWING IS NOT TO BE REPRODUCED OR TRANSMITTED IN ANY FORM OR BY ANY MEANS, ELECTRONIC OR MECHANICAL, INCLUDING PHOTOCOPYING, RECORDING, OR BY ANY INFORMATION STORAGE AND RETRIEVAL SYSTEM.



ITEM	PART NO.	DESCRIPTION	SIZE	QTY.
1	ND	UNLESS OTHERWISE SPECIFIED, DIMENSIONS SHALL BE IN INCHES. DECIMAL FRACTIONS AND ANGLES PLAINTEXT ARE IN INCHES.		
2	ND	CONNECTIONS		
3	ND	DESIGN		
4	ND	APPROVED		
MODEL		801-0062-00		
APPLICATION		DO NOT SCALE DRAWING		
NEXT DWG.				
DATE				
SCALE		NONE		
SHEET		1 OF 1		

1 2 3 4

D

C

B

A

D

C

B

A

D-60 CHASSIS WIRING

BIAMP SYSTEMS

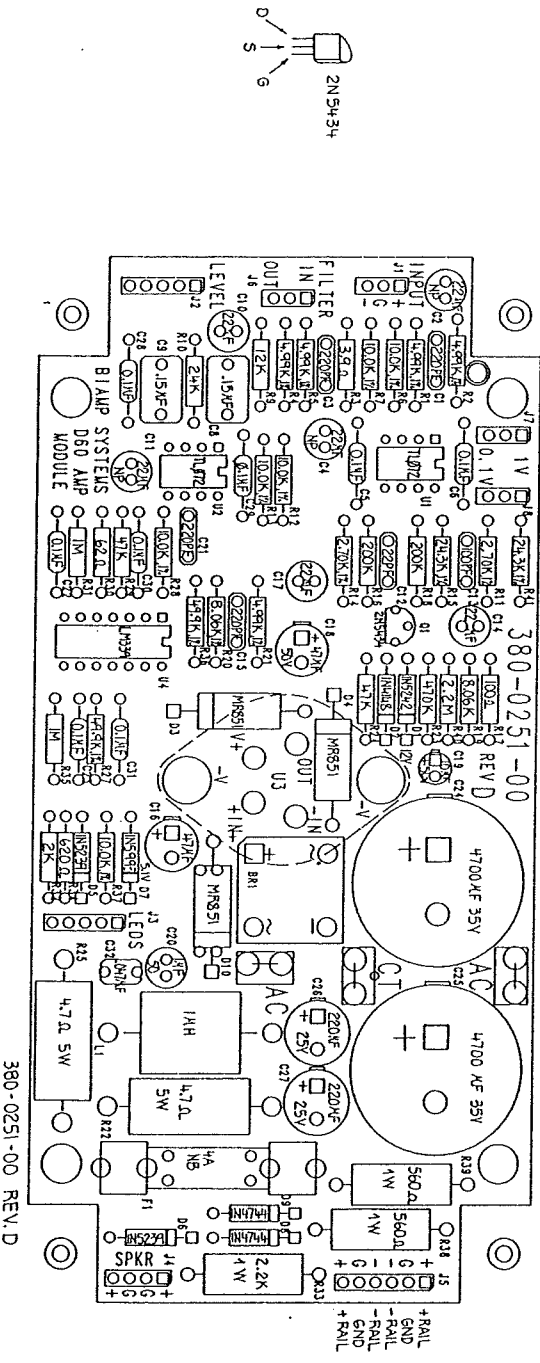
The drawings are the property of Biamp Systems, Inc. and shall not be reproduced, copied, or distributed in any form without the written consent of Biamp Systems, Inc. This drawing is the property of Biamp Systems, Inc. and shall not be reproduced, copied, or distributed in any form without the written consent of Biamp Systems, Inc.

BIAMP SYSTEMS
10074 SW ARCTIC DRIVE
BEAVERTON, OR 97005

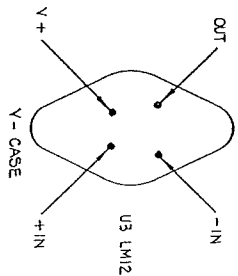
BIAMP SYSTEMS
 (503) 641-7287

380-0251-00 REV D
 D60 AMPLIFIER PCB
 Sheet 1 of 5 : Silkscreen

063-91 380-0251-00 REV D PCB 5-2-91 ND



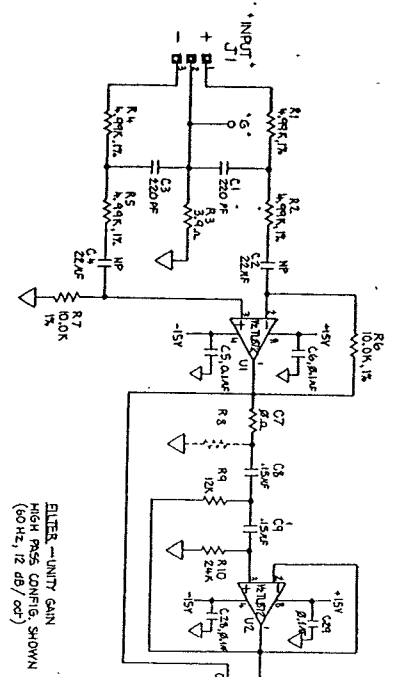
NOTES:
 * RESISTOR R14 NOT INSTALLED ON UNITS WHICH SUPPORT MONO-BRIDGE OPERATION.
 * U3 IS MOUNTED ON SOLDER SIDE.



ITEM	PART NO.	DESCRIPTION	SIZE	QTY.
1	380-0251-00	BIAMP SYSTEMS		
2	701-0251-00	COMPONENT LAYOUT		
3	701-0251-00	D60 POWER AMP		
4				

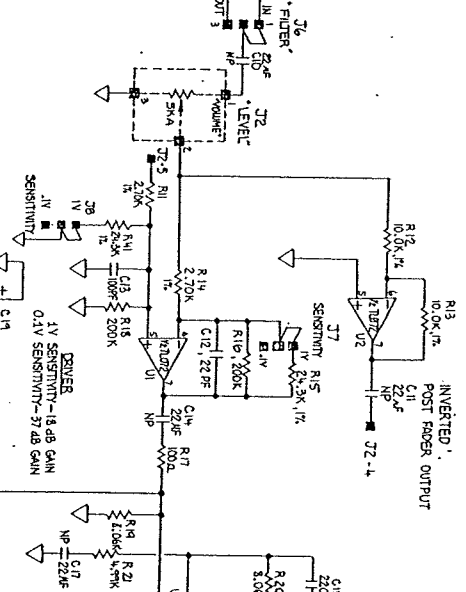
Standard 1/2" Pitch Dimensions
 Dimensions in inches are given in parentheses
 Dimensions in millimeters are given in brackets
 Dimensions in centimeters are given in square brackets
 Dimensions in meters are given in curly braces
 Dimensions in kilometers are given in diamond shapes
 Dimensions in miles are given in circles
 Dimensions in feet are given in triangles
 Dimensions in yards are given in squares
 Dimensions in miles are given in diamonds
 Dimensions in feet are given in circles
 Dimensions in yards are given in squares
 Dimensions in miles are given in diamonds

DIFFERENTIAL INPUT STAGE
 UNITY GAIN

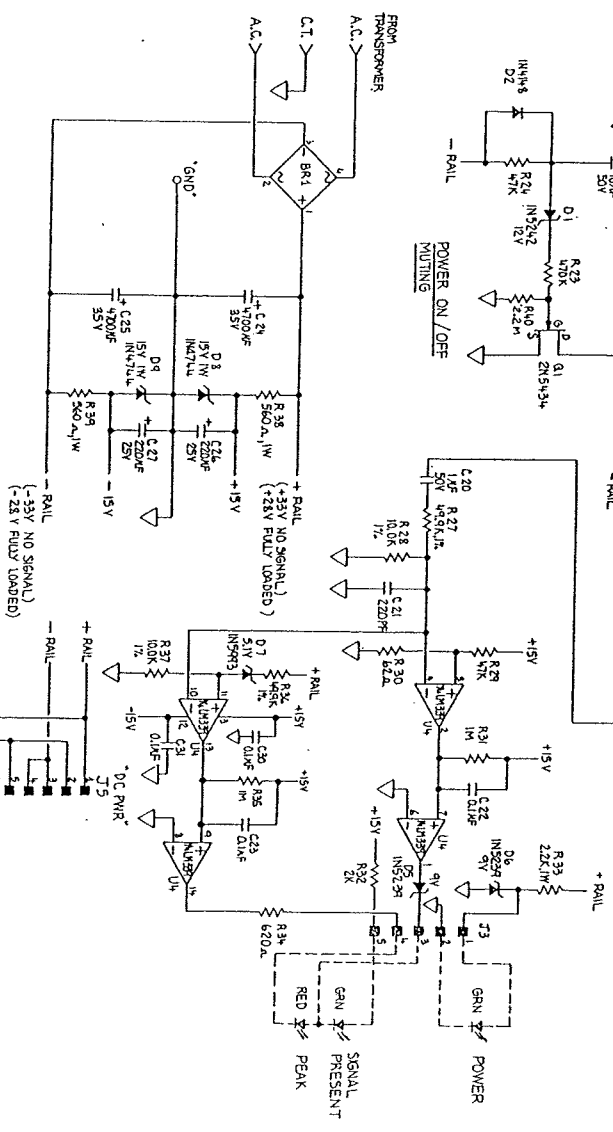
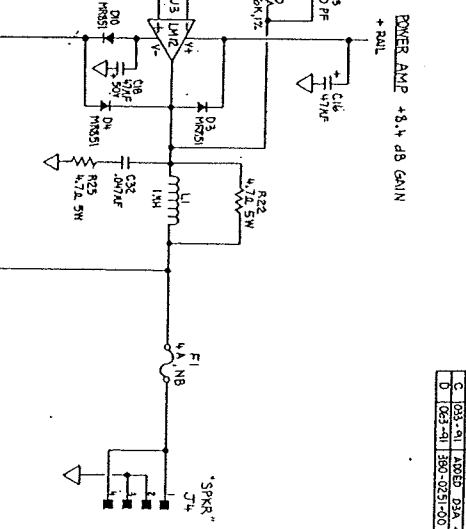


ALTER-UNITY GAIN
 HIGH PASS CONFIG. SHOWN
 (50 HZ, 12 DB/OCT)

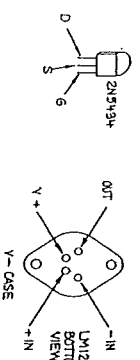
INVERTED POST FEEDBACK OUTPUT



POWER AMP +3.4 DB GAIN



- LAST
- R 41
- C 22
- D 10
- I 1
- T 9
- F 1
- L 1

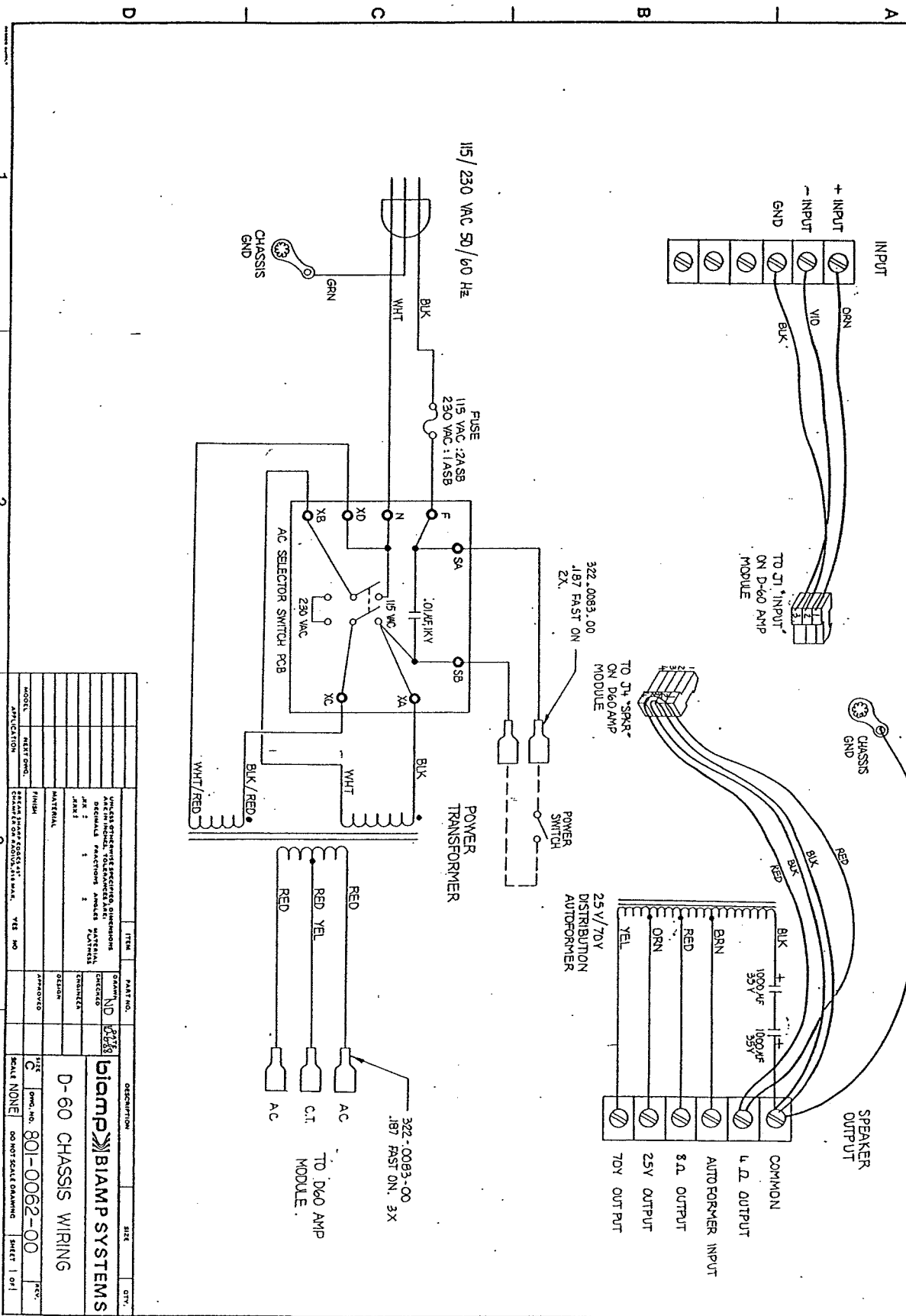


REV.	DATE	DESCRIPTION	BY	CHKD.
A	3/15/88	ADDED R40		
B	01/11/90	CHG'D SPEAK FUSE TO 1/4"		
C	10/23/91	ADD'D D5A - 5A		
D	10/23/91	350-0251-00 REV. D PCB		

060 POWER AMPLIFIER SCHEMATIC
 BIAMP SYSTEMS, INC.
 4400 W. 14TH STREET
 DENVER, CO 80202
 700-0251-00
 REV. 1 OF 1

A B C D E F G H

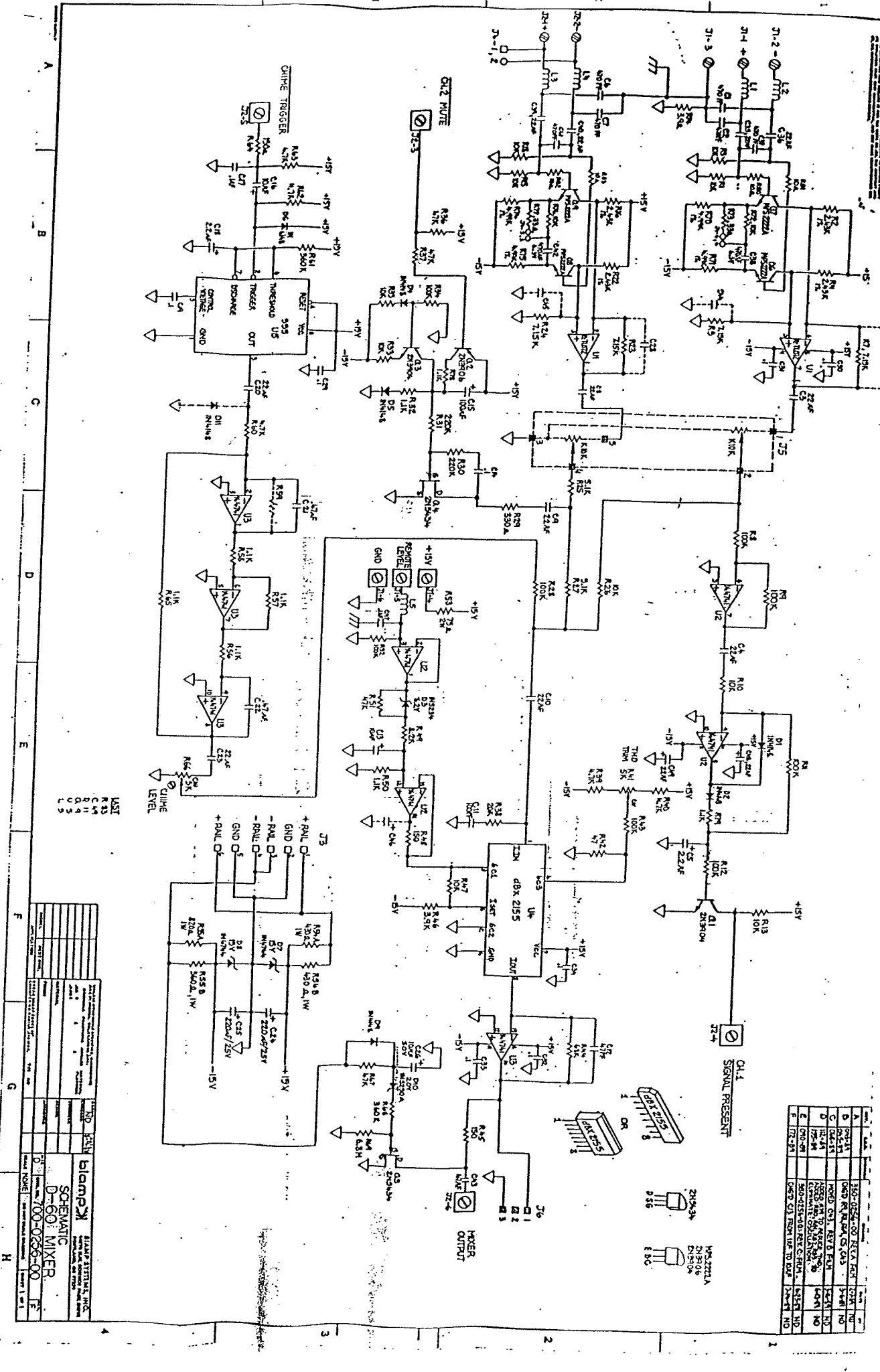
THE SYSTEMS ARE THE PROPERTY OF BIAAMP SYSTEMS, and their use, without the express or tacit approval of BIAAMP SYSTEMS, is prohibited. No part of this manual may be reproduced without written permission from BIAAMP SYSTEMS. The design of the system is the property of BIAAMP SYSTEMS.



REV.	1	CHASSIS WIRING	REV.
DATE			
CHANGE			
E.D.			
REV.			

DESCRIPTION	QUANTITY
BIAMP SYSTEMS	1
D-60 CHASSIS WIRING	1

PART NO.	801-0062-00
REV.	00
DATE	
SCALE	NONE
DO NOT SCALE DRAWING	



LIST
R1 47K
R2 10K
R3 10K
R4 10K
R5 10K
R6 10K
R7 10K
R8 10K
R9 10K
R10 10K
R11 10K
R12 10K
R13 10K
R14 10K
R15 10K
R16 10K
R17 10K
R18 10K
R19 10K
R20 10K
R21 10K
R22 10K
R23 10K
R24 10K
R25 10K
C1 22uF
C2 22uF
C3 22uF
C4 22uF
C5 22uF
C6 22uF
C7 22uF
C8 22uF
C9 22uF
C10 22uF

NO.	DESCRIPTION	QTY.	REMARKS
1	2N304A	1	MIXER
2	6X4	1	DETECTOR
3	955 US	1	DETECTOR
4	6X4	1	DETECTOR
5	6X4	1	DETECTOR
6	6X4	1	DETECTOR
7	6X4	1	DETECTOR
8	6X4	1	DETECTOR
9	6X4	1	DETECTOR
10	6X4	1	DETECTOR
11	6X4	1	DETECTOR
12	6X4	1	DETECTOR
13	6X4	1	DETECTOR
14	6X4	1	DETECTOR
15	6X4	1	DETECTOR
16	6X4	1	DETECTOR
17	6X4	1	DETECTOR
18	6X4	1	DETECTOR
19	6X4	1	DETECTOR
20	6X4	1	DETECTOR
21	6X4	1	DETECTOR
22	6X4	1	DETECTOR
23	6X4	1	DETECTOR
24	6X4	1	DETECTOR
25	6X4	1	DETECTOR

NO.	DESCRIPTION	QTY.	REMARKS
1	2N304A	1	MIXER
2	6X4	1	DETECTOR
3	955 US	1	DETECTOR
4	6X4	1	DETECTOR
5	6X4	1	DETECTOR
6	6X4	1	DETECTOR
7	6X4	1	DETECTOR
8	6X4	1	DETECTOR
9	6X4	1	DETECTOR
10	6X4	1	DETECTOR
11	6X4	1	DETECTOR
12	6X4	1	DETECTOR
13	6X4	1	DETECTOR
14	6X4	1	DETECTOR
15	6X4	1	DETECTOR
16	6X4	1	DETECTOR
17	6X4	1	DETECTOR
18	6X4	1	DETECTOR
19	6X4	1	DETECTOR
20	6X4	1	DETECTOR
21	6X4	1	DETECTOR
22	6X4	1	DETECTOR
23	6X4	1	DETECTOR
24	6X4	1	DETECTOR
25	6X4	1	DETECTOR

Blaupunkt
SCHEMATIC
D-60 MIXER
PART NO. 100-0286-00
REV. 1 1971

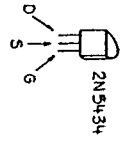
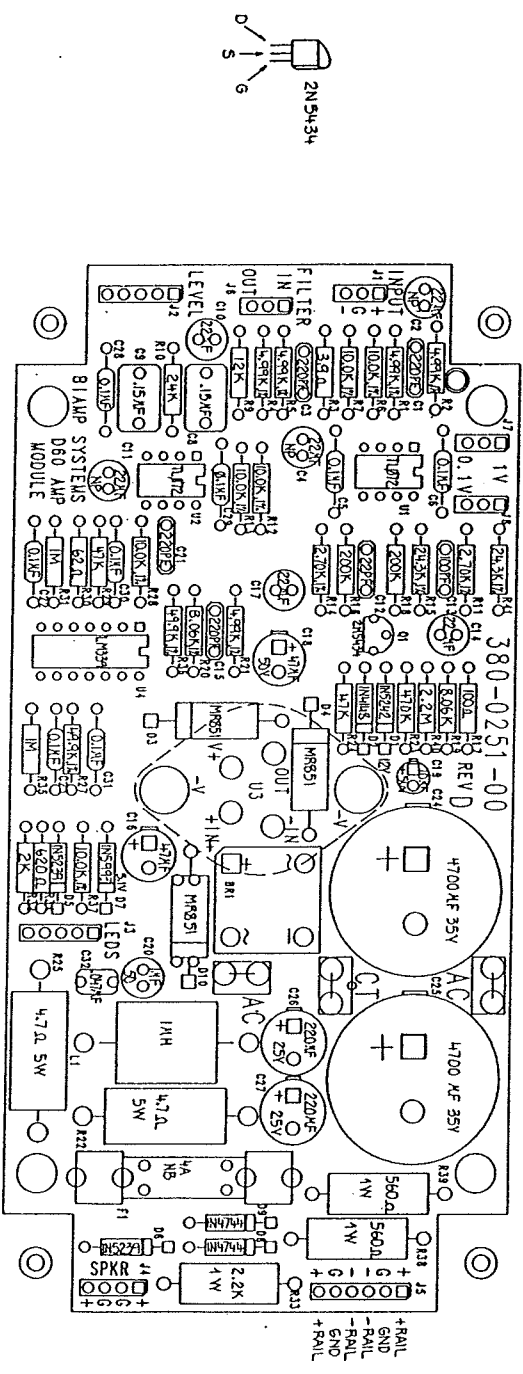
THIS DRAWING IS THE PROPERTY OF BIAMP SYSTEMS, INC. IT IS TO BE USED ONLY FOR THE MANUFACTURE OF THE PRODUCT SPECIFICALLY IDENTIFIED HEREON. IT IS NOT TO BE REPRODUCED, COPIED, OR TRANSMITTED IN ANY FORM OR BY ANY MEANS, ELECTRONIC OR MECHANICAL, INCLUDING PHOTOCOPYING, RECORDING, OR BY ANY INFORMATION STORAGE AND RETRIEVAL SYSTEM. ANY UNAUTHORIZED REPRODUCTION OR USE OF THIS DRAWING IS PROHIBITED AND WILL BE PROSECUTED TO THE FULL EXTENT OF THE LAW.

BIAMP SYSTEMS
10074 SW ARCTIC DRIVE
BEAVERTON, OR 97005

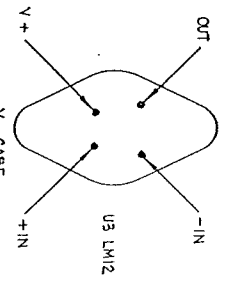
BIAMP SYSTEMS
 (503) 641-7287

380-0251-00 REV D
 D60 AMPLIFIER PCB
 Sheet 1 of 5 : Silkscreen

REV.	EDA	CHANGE	DATE	BY
F	06-3-91	380-0251-00 REV. D PCB	5/2/91	ND



NOTES:
 * RESISTOR R41 NOT INSTALLED ON UNITS WHICH SUPPORT MONO-BRIDGE OPERATION.
 * U3 IS MOUNTED ON SOLDER SIDE.



ITEM	PART NO.	DESCRIPTION	SIZE	QTY.
1	2N5434	DIODE		
2	2N3904	TRANSISTOR		
3	741	OP-AMP		
4	LM12	OP-AMP		
5	RESISTORS	RESISTORS		
6	CAPACITORS	CAPACITORS		
7	INDUCTORS	INDUCTORS		
8	CONNECTORS	CONNECTORS		
9	OTHER	OTHER		
10	FINISH	FINISH		
11	REVISIONS	REVISIONS		
12	DATE	DATE		
13	BY	BY		
14	CHKD	CHKD		
15	APPV	APPV		
16	DATE	DATE		
17	BY	BY		
18	CHKD	CHKD		
19	APPV	APPV		
20	DATE	DATE		
21	BY	BY		
22	CHKD	CHKD		
23	APPV	APPV		
24	DATE	DATE		
25	BY	BY		
26	CHKD	CHKD		
27	APPV	APPV		
28	DATE	DATE		
29	BY	BY		
30	CHKD	CHKD		
31	APPV	APPV		
32	DATE	DATE		
33	BY	BY		
34	CHKD	CHKD		
35	APPV	APPV		
36	DATE	DATE		
37	BY	BY		
38	CHKD	CHKD		
39	APPV	APPV		
40	DATE	DATE		
41	BY	BY		
42	CHKD	CHKD		
43	APPV	APPV		
44	DATE	DATE		
45	BY	BY		
46	CHKD	CHKD		
47	APPV	APPV		
48	DATE	DATE		
49	BY	BY		
50	CHKD	CHKD		
51	APPV	APPV		
52	DATE	DATE		
53	BY	BY		
54	CHKD	CHKD		
55	APPV	APPV		
56	DATE	DATE		
57	BY	BY		
58	CHKD	CHKD		
59	APPV	APPV		
60	DATE	DATE		
61	BY	BY		
62	CHKD	CHKD		
63	APPV	APPV		
64	DATE	DATE		
65	BY	BY		
66	CHKD	CHKD		
67	APPV	APPV		
68	DATE	DATE		
69	BY	BY		
70	CHKD	CHKD		
71	APPV	APPV		
72	DATE	DATE		
73	BY	BY		
74	CHKD	CHKD		
75	APPV	APPV		
76	DATE	DATE		
77	BY	BY		
78	CHKD	CHKD		
79	APPV	APPV		
80	DATE	DATE		
81	BY	BY		
82	CHKD	CHKD		
83	APPV	APPV		
84	DATE	DATE		
85	BY	BY		
86	CHKD	CHKD		
87	APPV	APPV		
88	DATE	DATE		
89	BY	BY		
90	CHKD	CHKD		
91	APPV	APPV		
92	DATE	DATE		
93	BY	BY		
94	CHKD	CHKD		
95	APPV	APPV		
96	DATE	DATE		
97	BY	BY		
98	CHKD	CHKD		
99	APPV	APPV		
100	DATE	DATE		

1 2 3 4

380-0251-00 REV. D

BIAMP SYSTEMS
COMPONENT LAYOUT
D60 POWER AMP