

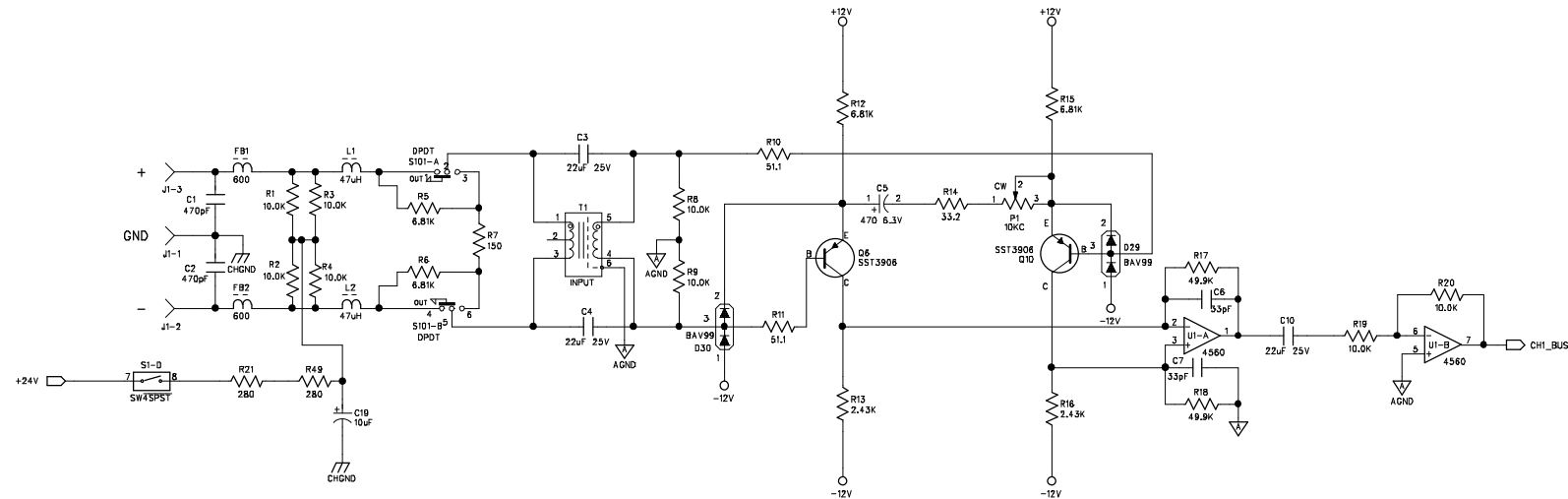
DA28r
(Distribution Amp &
Router)

Schematic

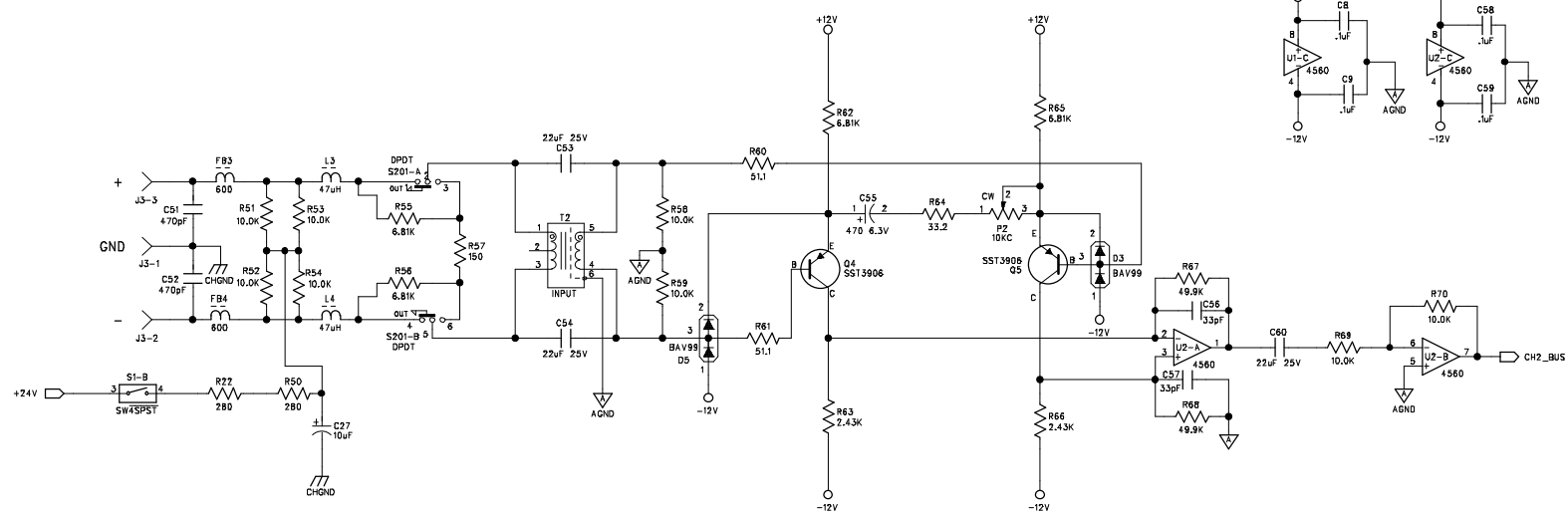
Released July 16, 2002

REVISION RECORD				
REV	ECO #	DESCRIPTION:	DATE:	BY:

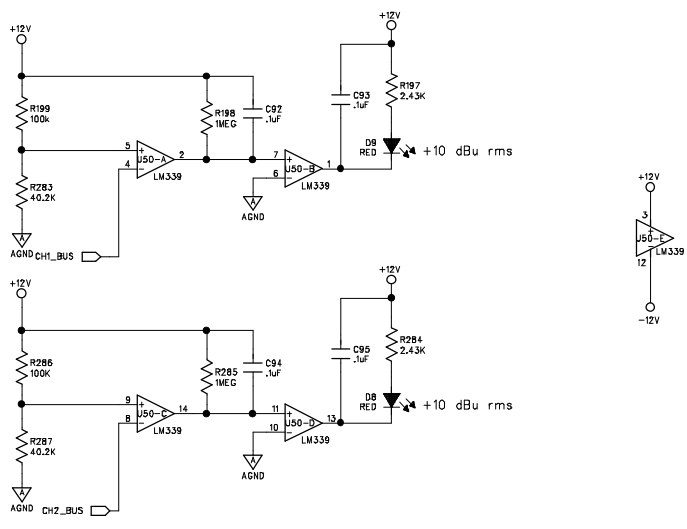
A



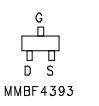
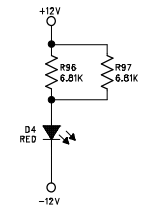
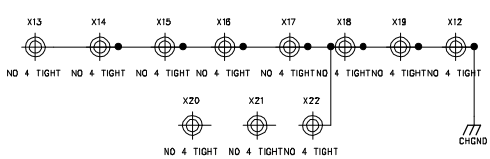
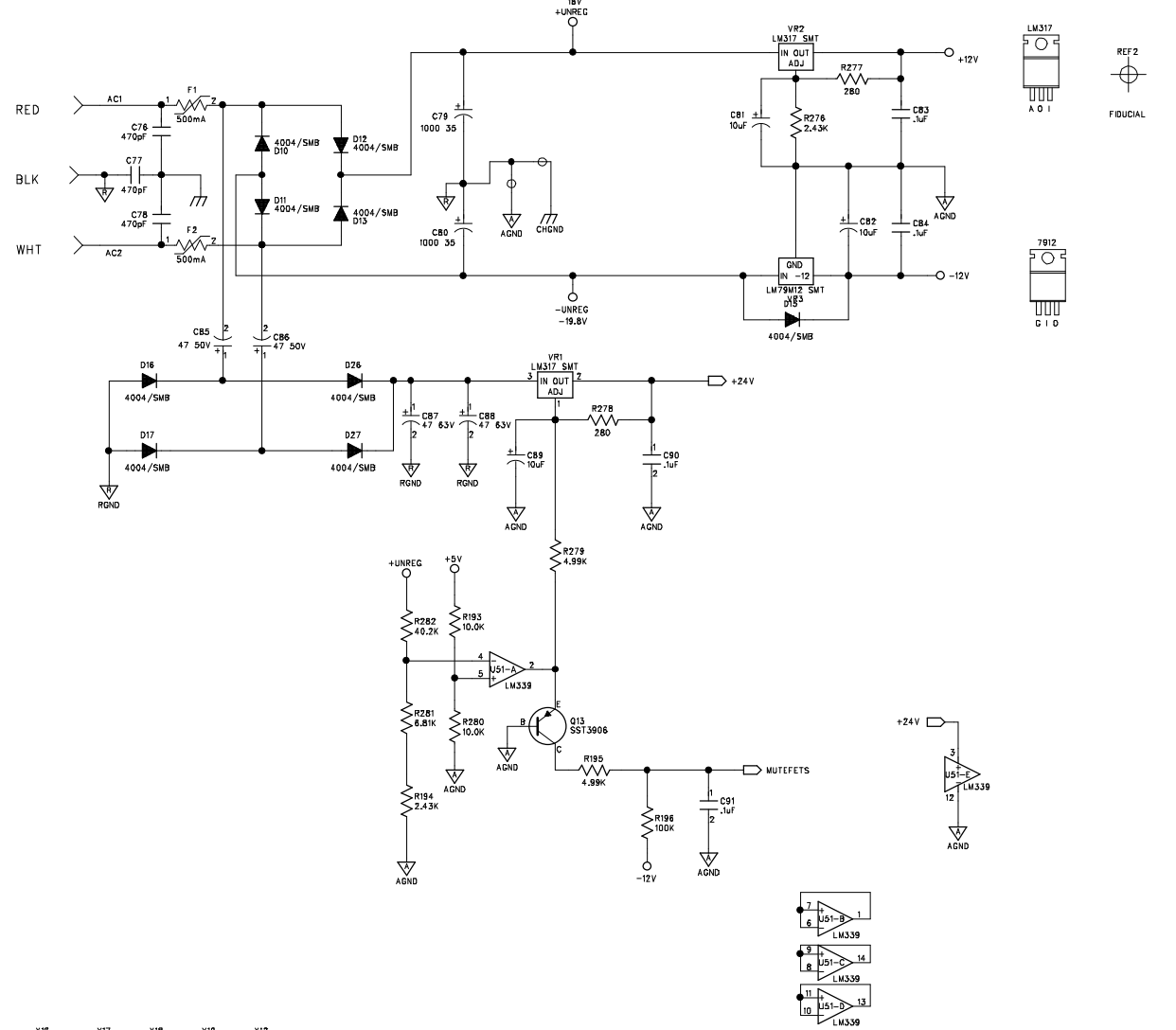
B



C



D



BIAMP SYSTEMS, INC. 10074 SW ARCTIC DR BEAVERTON, OR 97124

TITLE: Advantage DA28R Input and Power Supply

USED ON:	DATE:	SIZE:	DRAWING NO:	REV:
DRAWN: J. Damori	DN: 2/2/99		700-0495-00	-
APPROVED:	DN:	SCALE:		

1

2

3

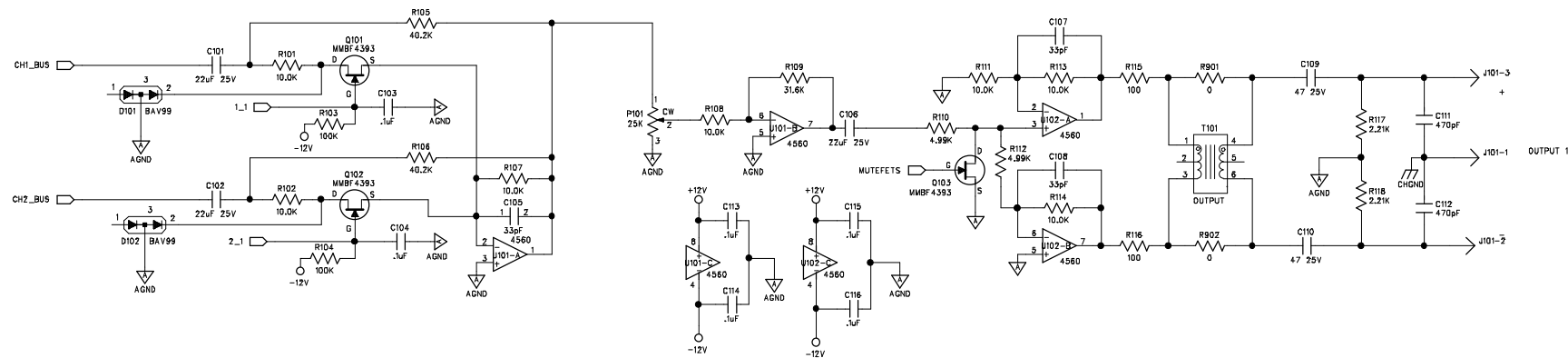
4

5

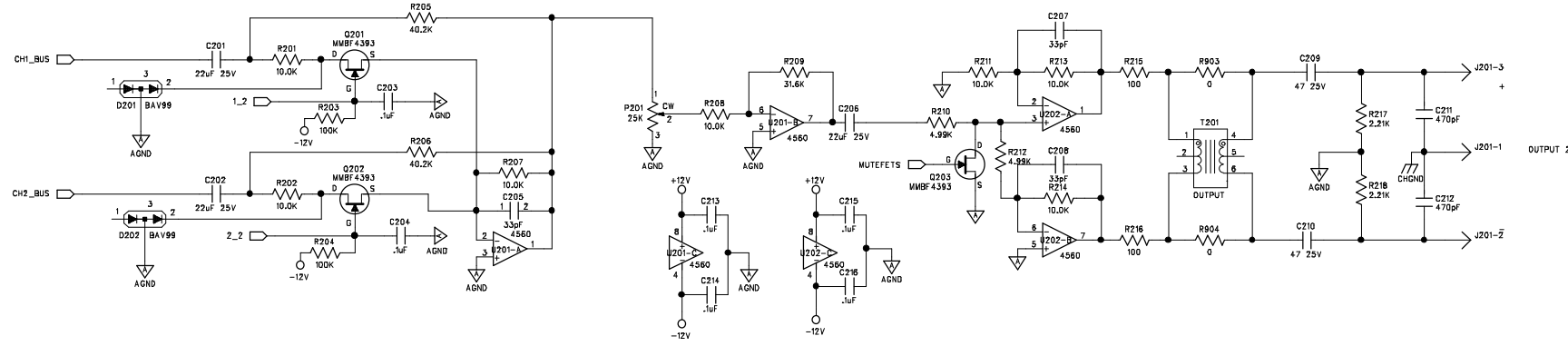
6

REVISION RECORD				
REV	ECO #	DESCRIPTION:	DATE:	BY:

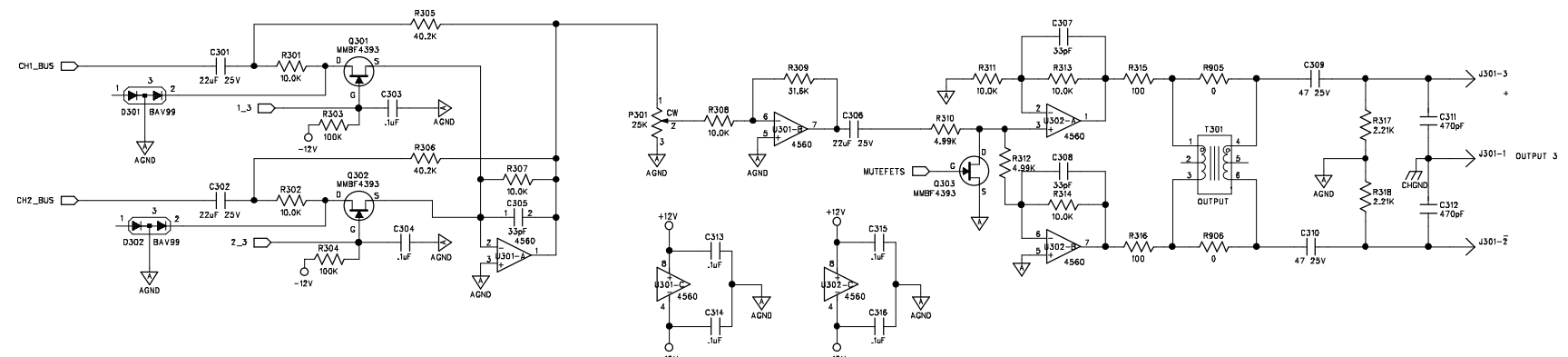
A



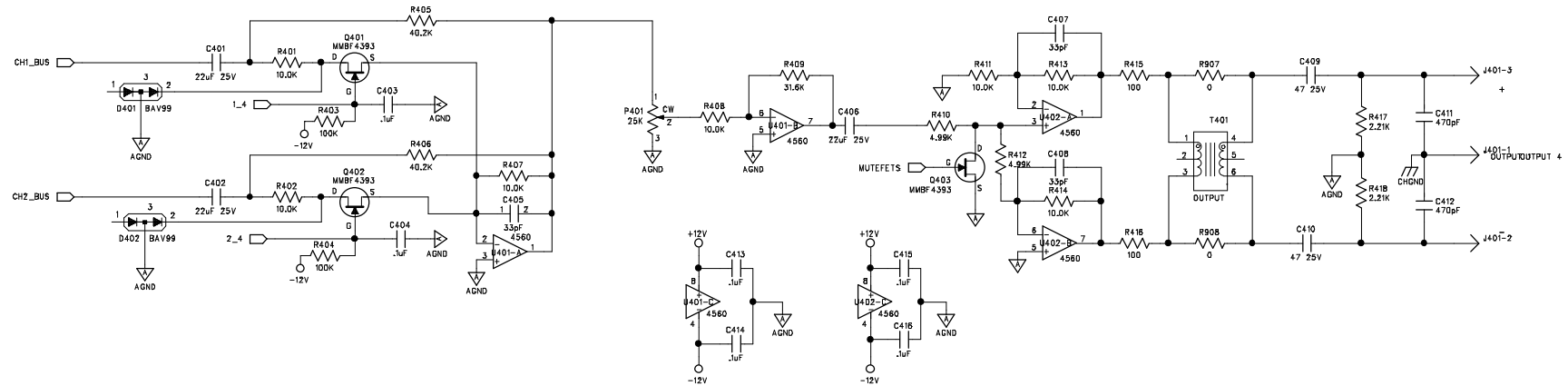
B



C



D



MMBF 4393

BIAMP SYSTEMS, INC.		10074 SW ARCTIC DRIVE BEAVERTON, OR 97005	
TITLE: Advantage DA28R Outputs 1-4			
COPY DATE STAMP:	SIZE:	DRAWING NO:	REV:
		700-0495-00	-
APPROVED:	DATE:	SCALE:	SHEET: 2 OF 4

USED ON:	
DRAWN:	J. Damori
DATE:	2/2/99
APPROVED:	

1

2

3

4

5

6

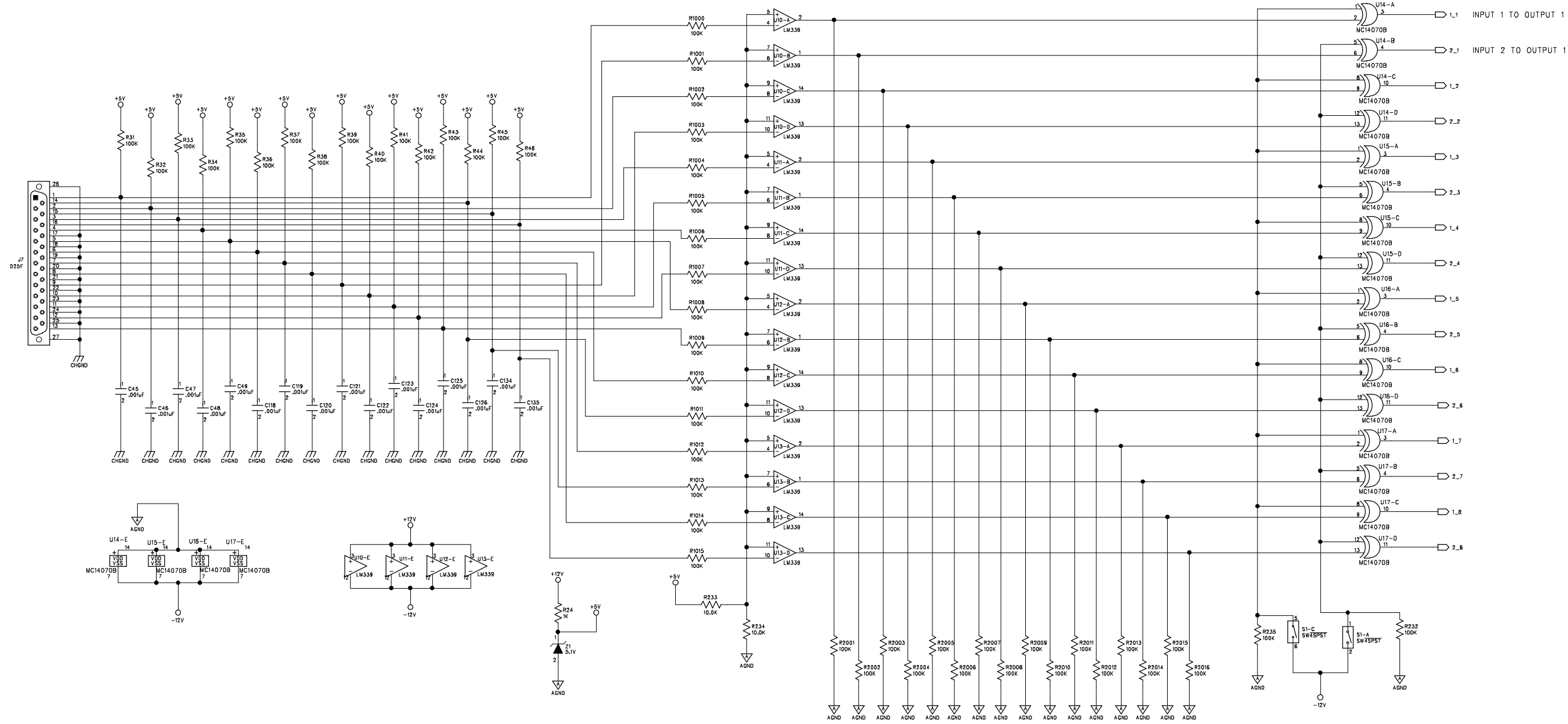
REVISION RECORD				
REV	ECD #	DESCRIPTION:	DATE:	BY:

A

B

C

D



BIAMP SYSTEMS, INC.		10074 SW ARCTIC DRIVE BEAVERTON, OR 97005	
TITLE: Advantage DA28R Logic Inputs			
USED ON:	COPY DATE STAMP:	SIZE:	DRAWING NO:
DRAWN: J. Damori	ON: 2/2/99		700-0495-00
APPROVED:	ON:	SCALE:	REVISION:
			4 OF 4