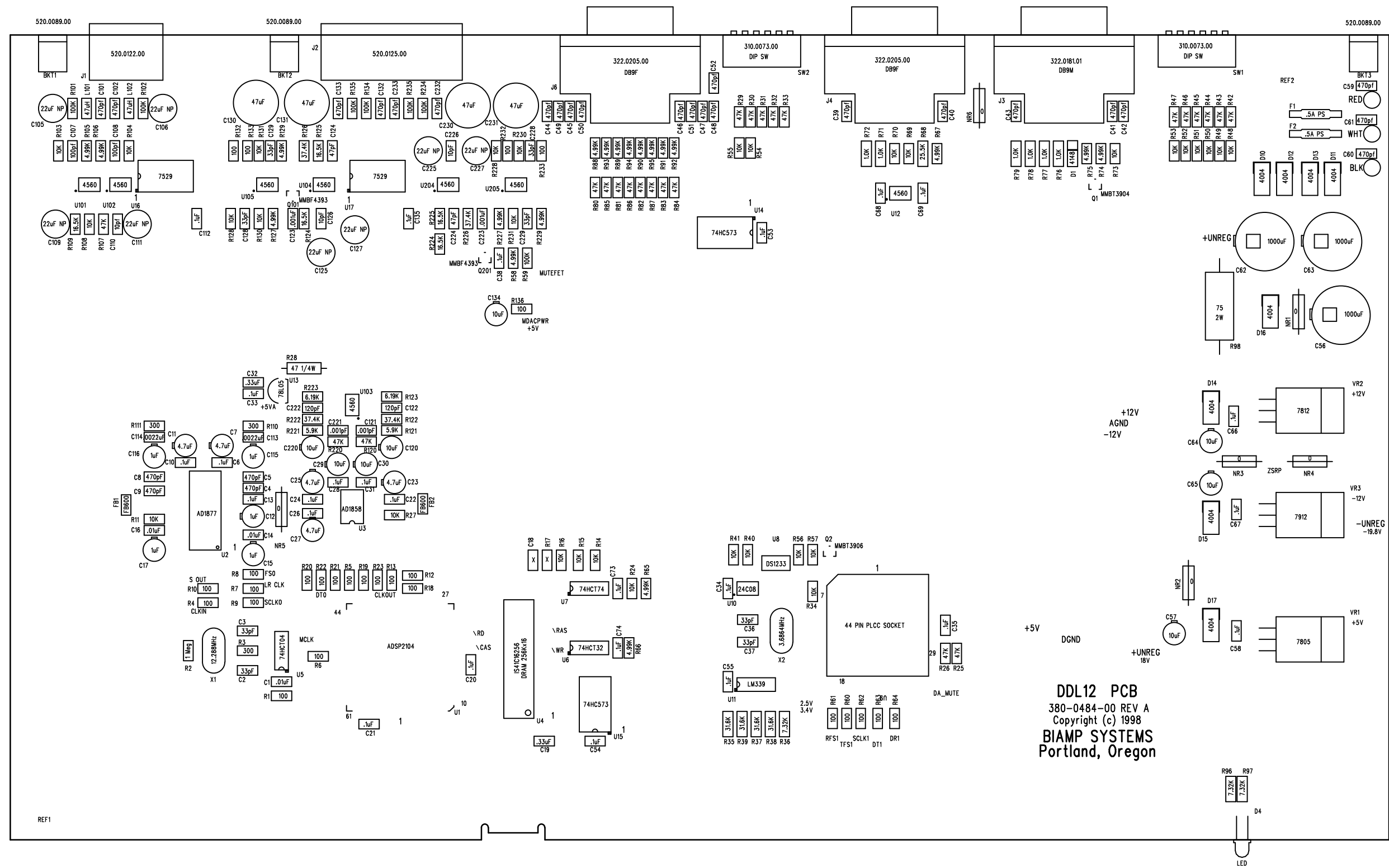


**DDL12
(Digital Delay)**

Schematic

Released July 16, 2002



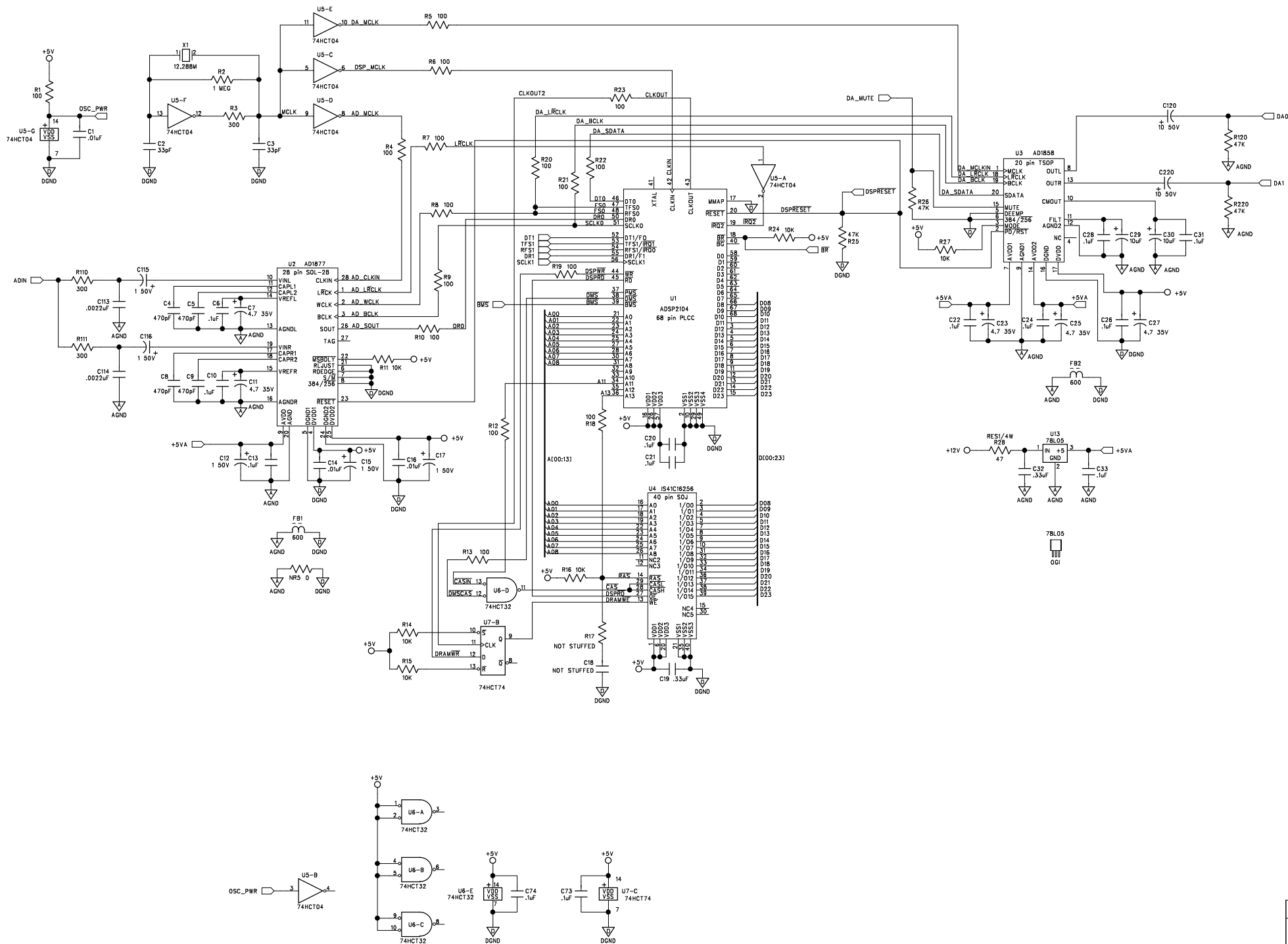
BIAMP SYSTEMS
 14130 N.W. Science Park Drive
 Portland, Oregon 97229
 (503) 641-7287

380-0484-00
 DDL12 PCB REV A

Sheet 1 of 1: Fabrication Drawing

DDL12 PCB
 380-0484-00 REV A
 Copyright (c) 1998
 BIAMP SYSTEMS
 Portland, Oregon

REVISION RECORD				
REV	ECO #	DESCRIPTION:	DATE:	BY:
A	-	INITIAL RELEASE	5/8/98	



BIAMP SYSTEMS, INC. 14130 NW SCIENCE PARK DRIVE
 PORTLAND, OR 97229

TITLE: Advantage DDL12
 AD/DA & DSP

USED ON:	DATE:	SIZE:	DRAWING NO.:	REV.:
DRAWN: Rick Garner	DN: 5/8/98		700.0484.00	A
APPROVED:	DN:	SCALE:		

SHEET: 1 OF 3

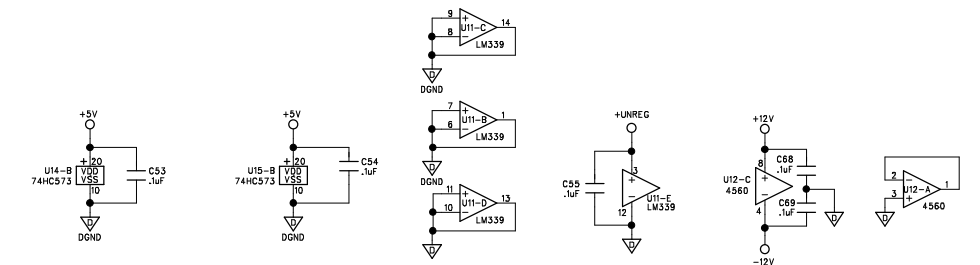
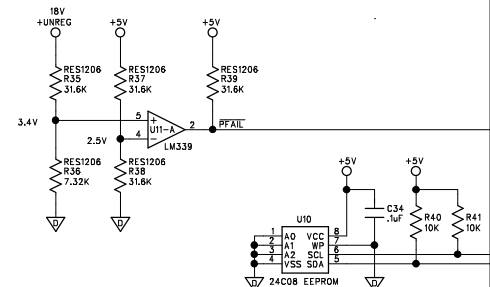
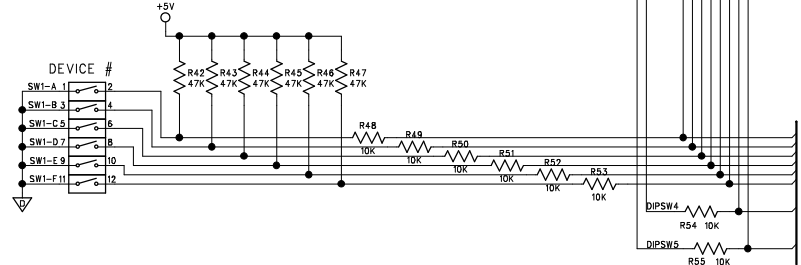
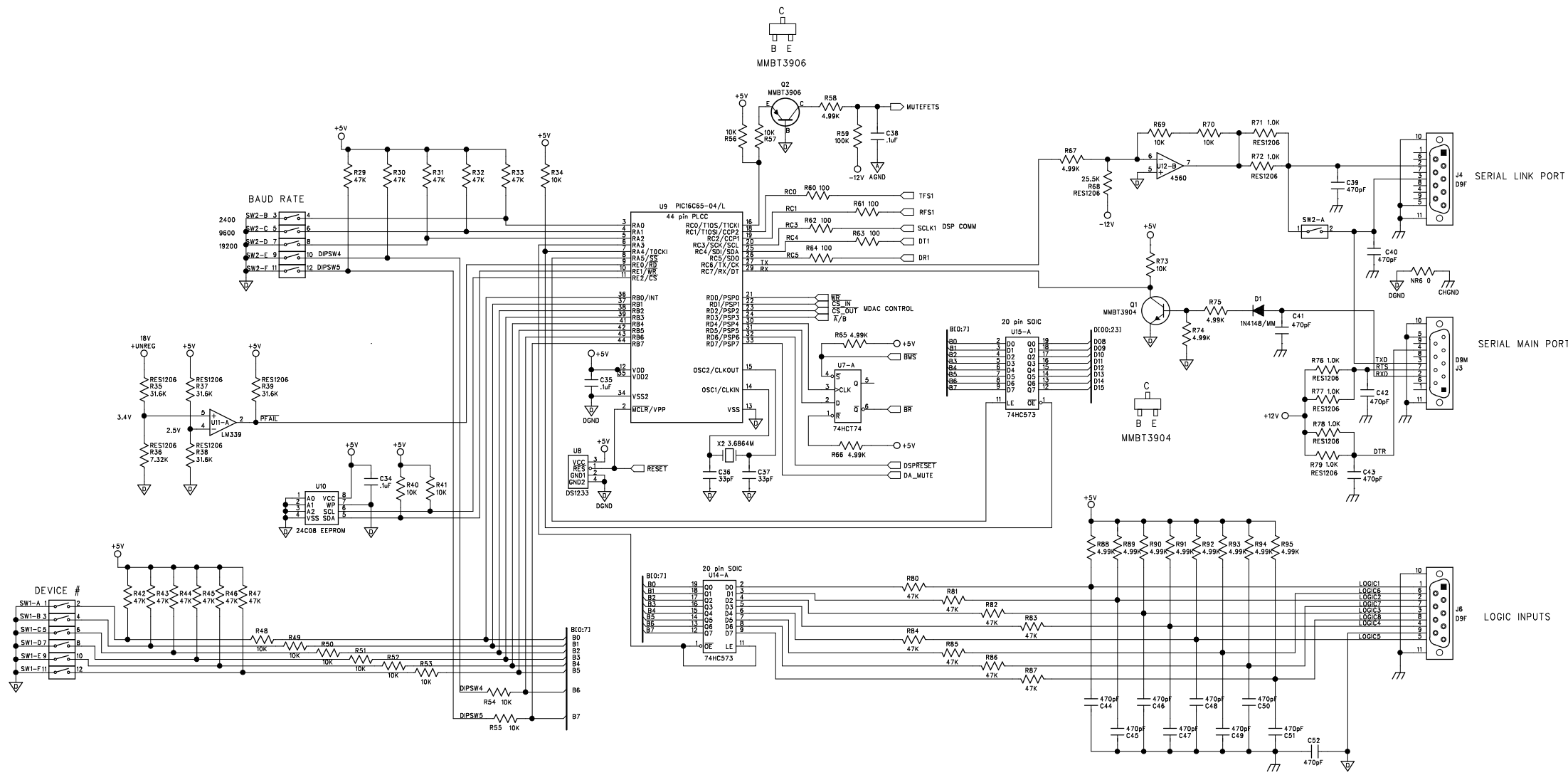
REVISION RECORD				
REV	ECHO #	DESCRIPTION:	DATE:	BY:

A

B

C

D



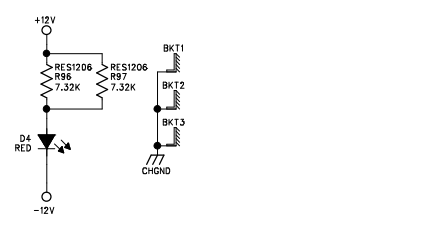
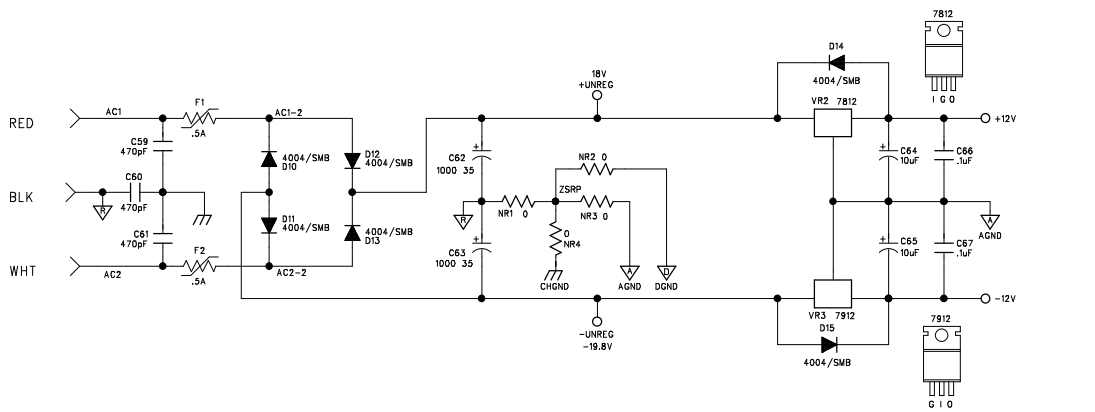
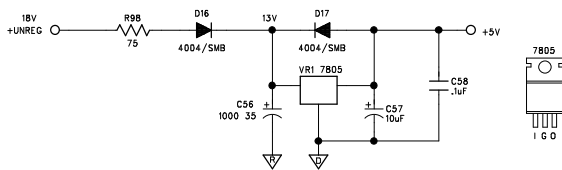
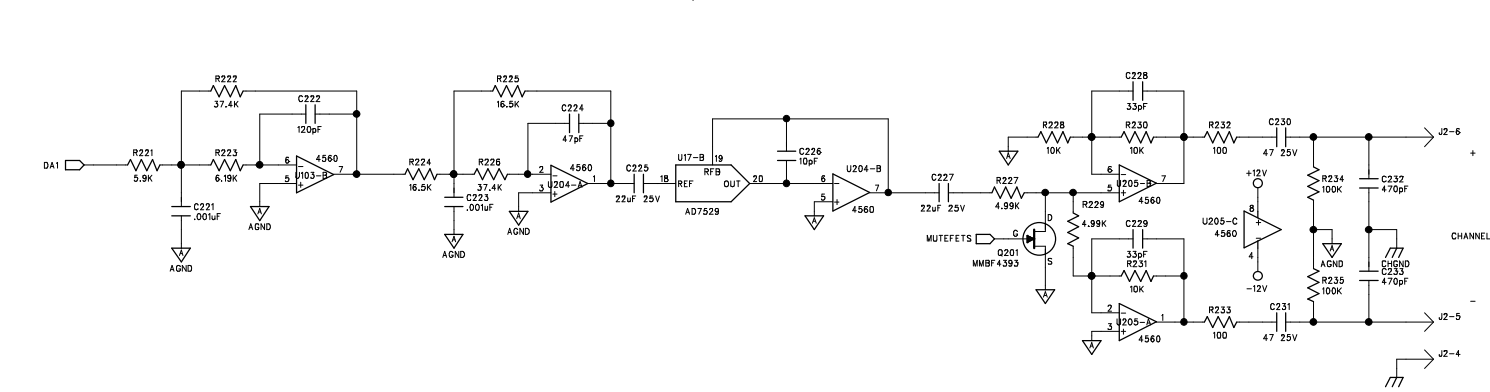
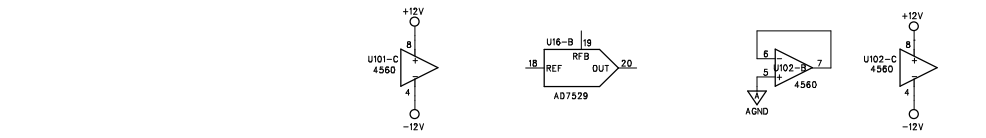
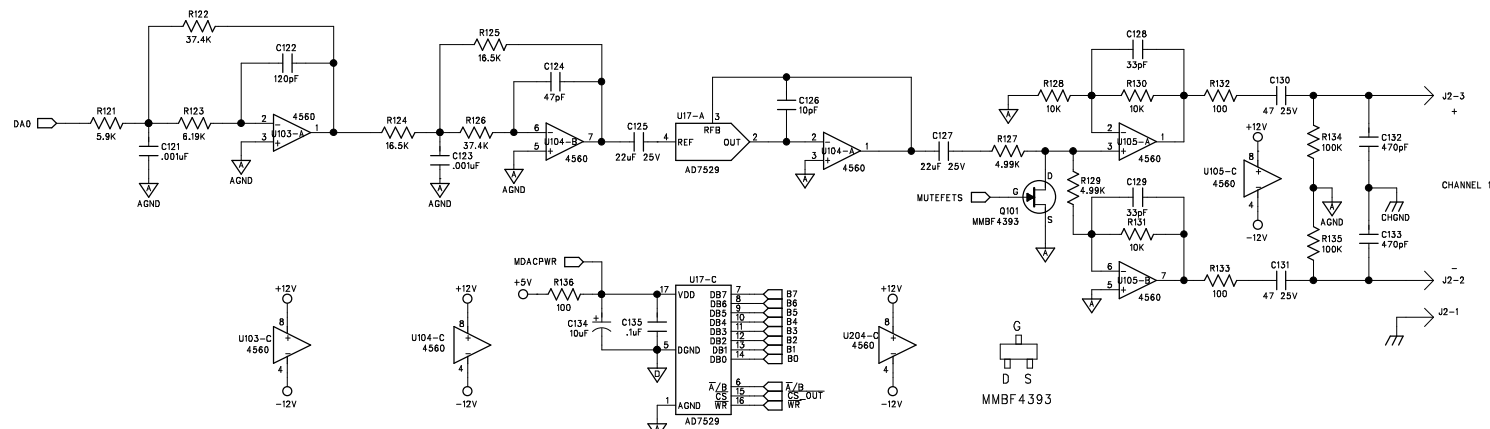
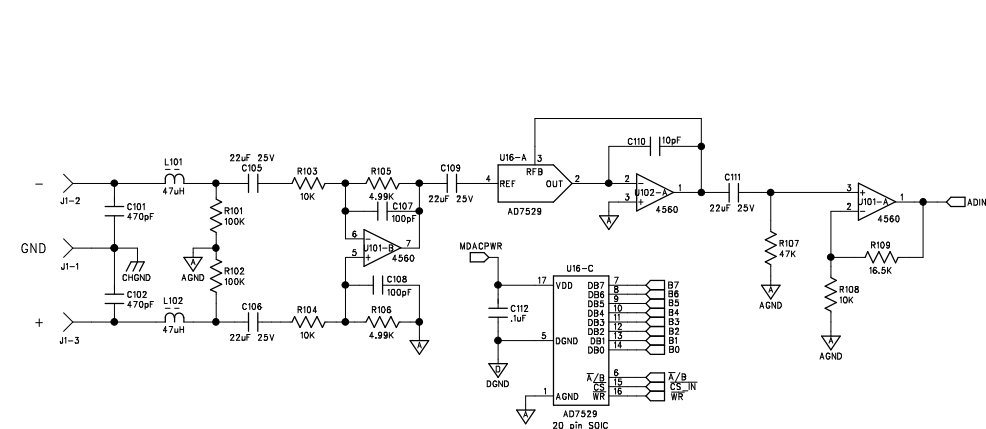
BIAMP SYSTEMS, INC. 14130 NW SCIENCE PARK DRIVE
 PORTLAND, OR 97229

TITLE: Advantage DDL12
 MICROCONTROLLER & COMM

USED ON:	DATE:	REV:
DRAWN: Rick Garner	DN: 5/8/98	A
APPROVED:	DN:	

SCALE: SHEET: 2 OF 3

REVISION RECORD				
REV	ECO #	DESCRIPTION:	DATE:	BY:



BIAMP SYSTEMS, INC. 14130 NW SCIENCE PARK DRIVE
PORTLAND, OR 97229

TITLE: Advantage DDL12
ANALOG I/O & POWER SUPPLY

USED ON:	DATE:	SCALE:	REV:
DRAWN: Rick Garner	DN: 5/8/98	700.0484.00	A
APPROVED:	DN:		