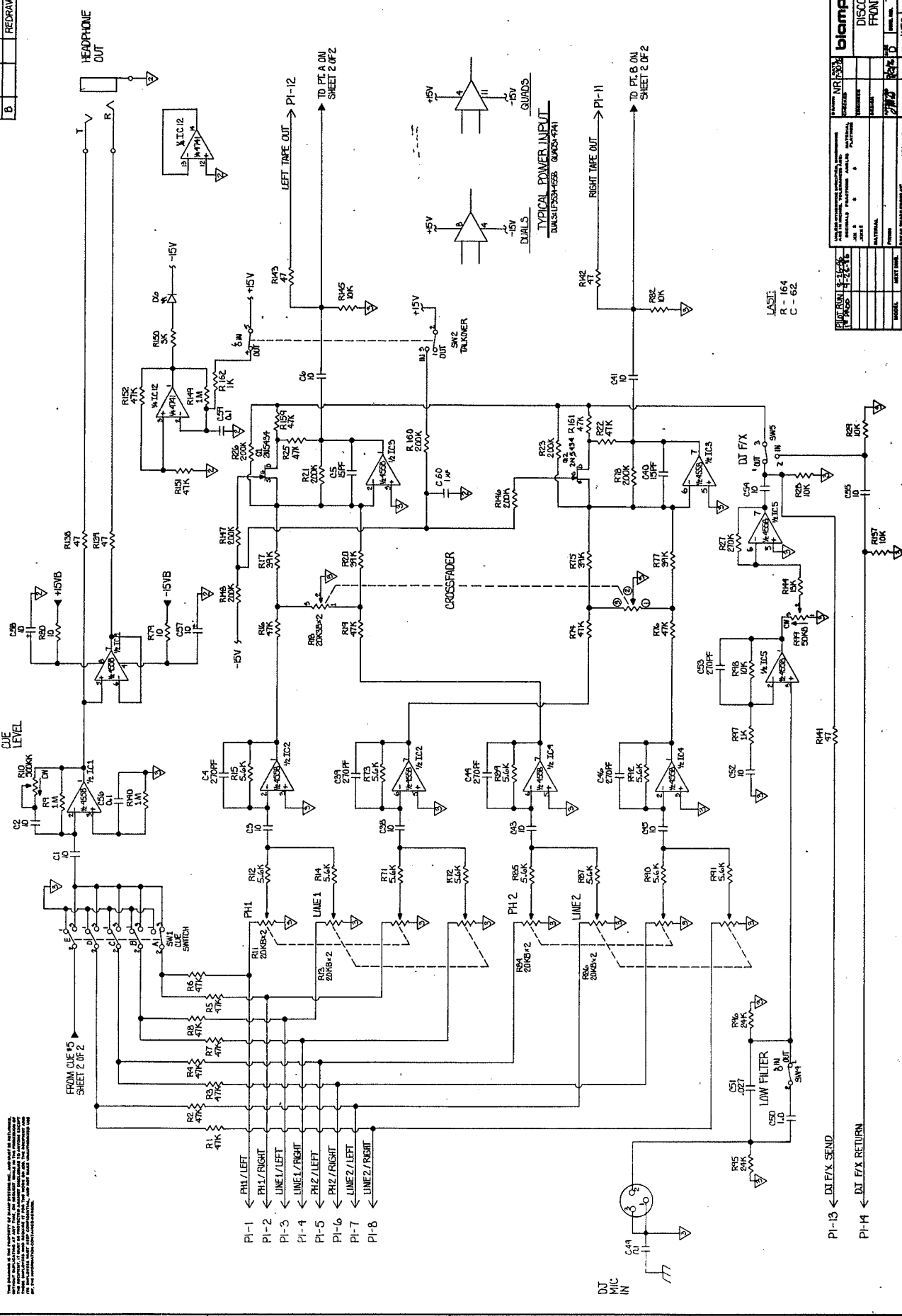


DJ 3600, 3500, 3001

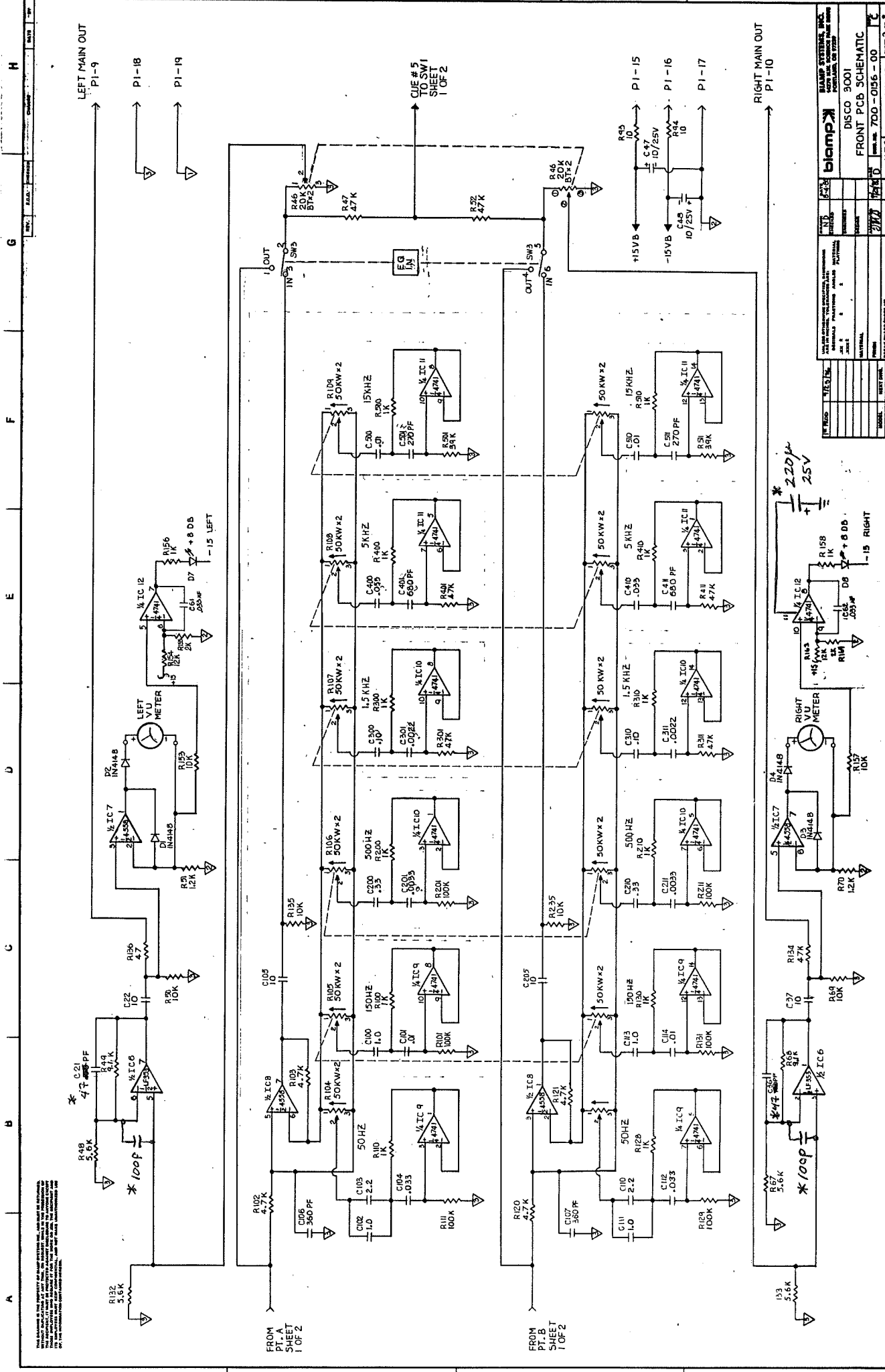
Schematic

B I A M P[®]

S Y S T E M S



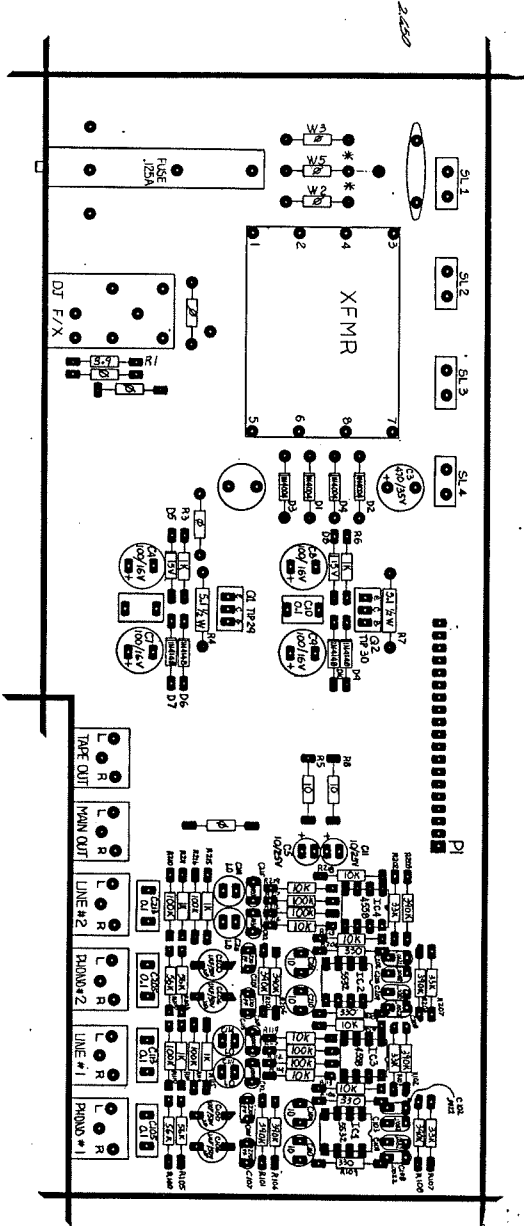
updates* (5 ea.)



REV	DATE	DESCRIPTION	BY	CHKD
1				
2				
3				
4				
5				

blamp DISCO 3001 FRONT PCB SCHEMATIC
700-0156-00
SHEET 2 OF 2

A B C D E F G H



NOTES:
 * FOR 120 VAC INPUT POWER, W3 ONLY
 - STUFF & Δ JUMPER W2 & W3 ONLY
 - FOR 240 VAC INPUT POWER,
 - STUFF & Δ JUMPER W3 ONLY.

REV	DATE	DESCRIPTION	BY	APP
00A	11-0	INITIAL REV. OF PROTO BOARD		
00B	09-87	REVISIONS MADE TO (REV. 00A) ZONE 28 REMOVE THE PRO		

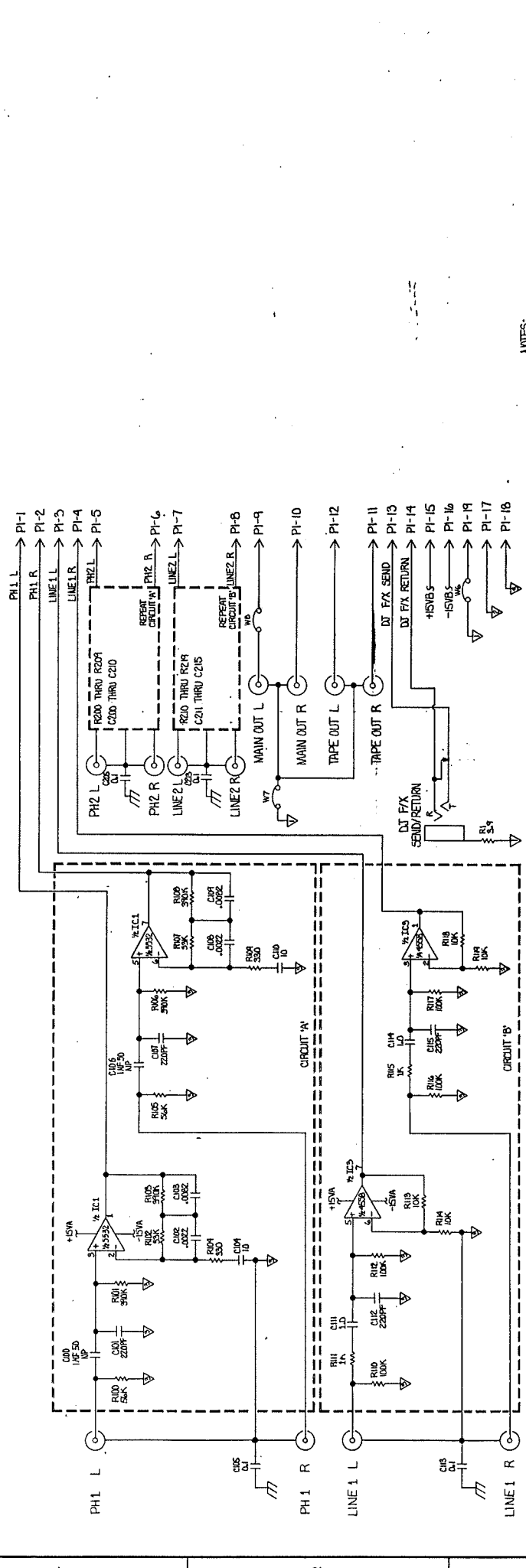
7-17-86

blamp

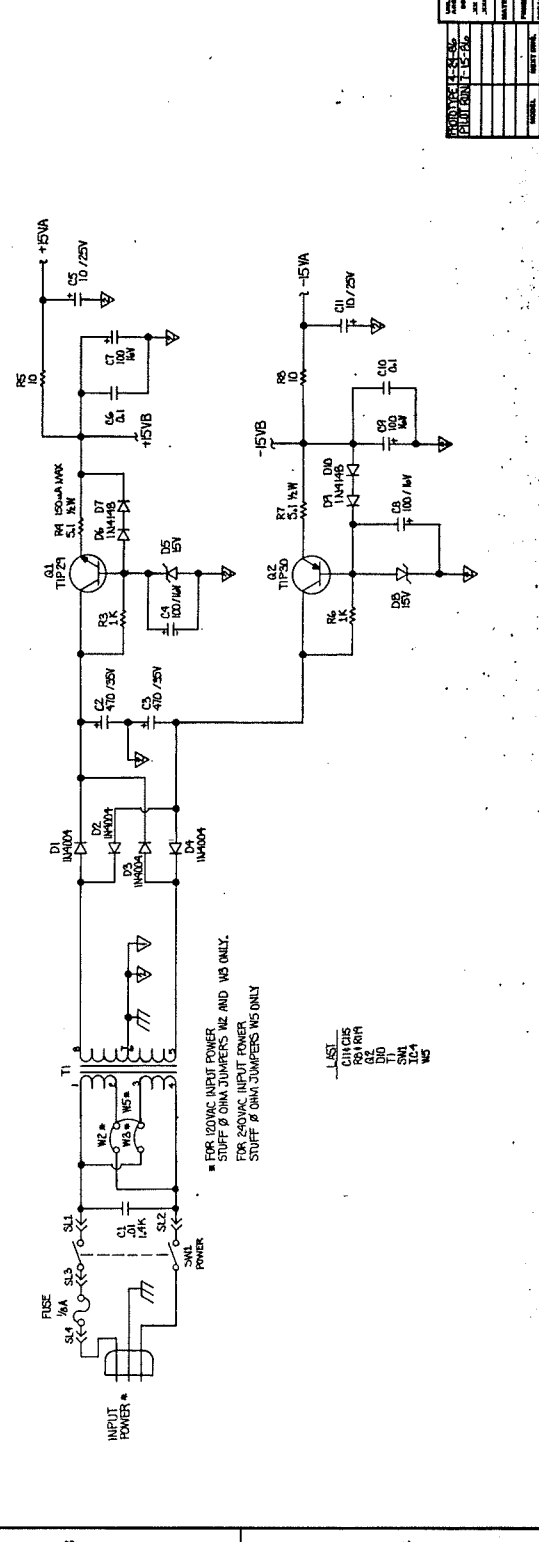
COMPONENT LAYOUT
 DISCO 3001 REAR PCB

70-057-00

REV	DATE	BY
10A	10-24-67	
10B	11-16-67	
10C	11-16-67	
10D	11-16-67	



NOTES:
 1. ALL RESISTORS ARE GIVEN IN OHMS
 2. ALL CAPACITORS ARE GIVEN IN MICROFARADS

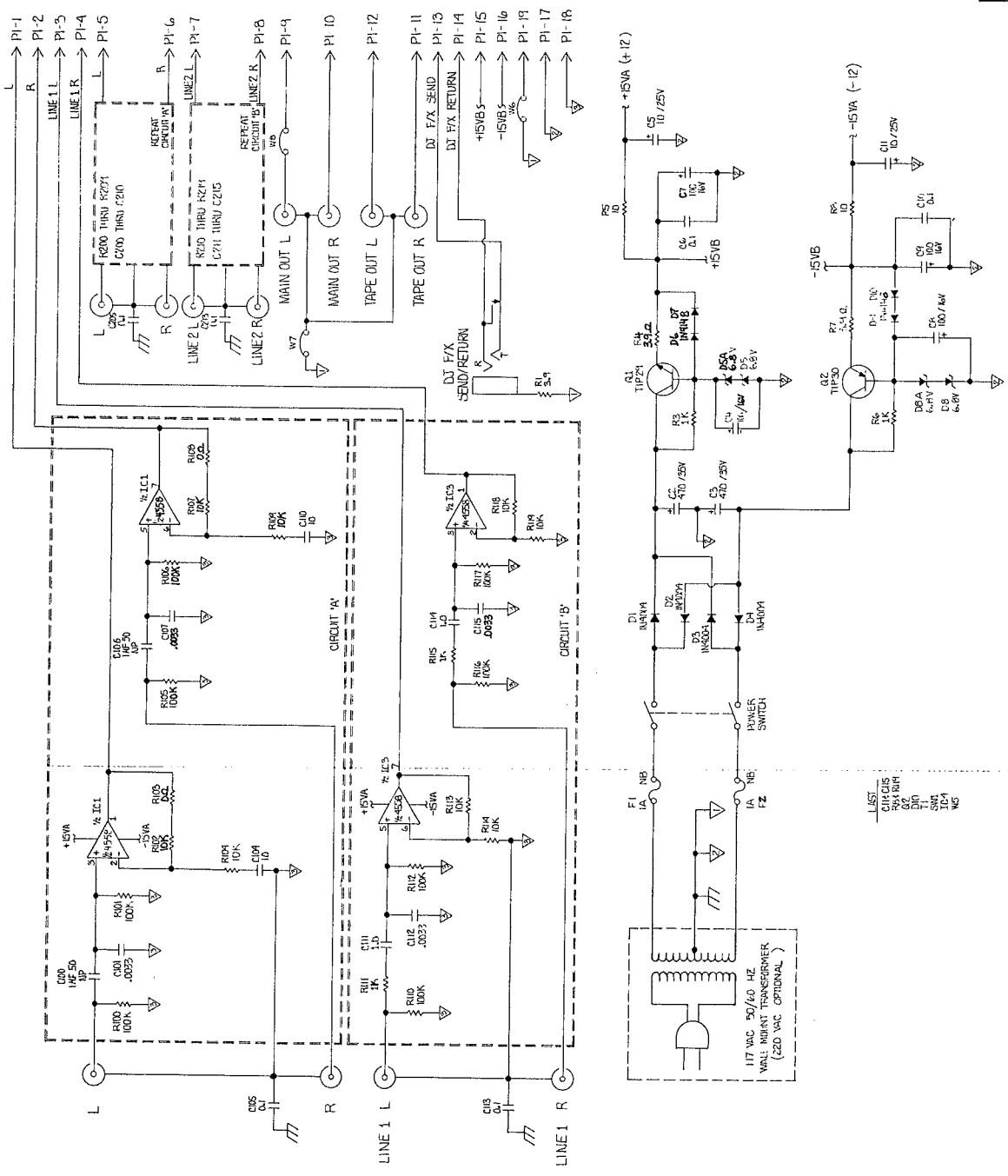


DISCO 3001 REAR RB SCHEMATIC
 700-0167-00

■ FOR 150VAC INPUT POWER STUFF # 9 OHM JUMPERS #2 AND #3 ONLY.
 ■ FOR 250VAC INPUT POWER STUFF # 8 OHM JUMPERS #5 ONLY

LIST:
 IC1C15
 R214R18
 R2
 C2
 T1
 S1
 S2
 S3

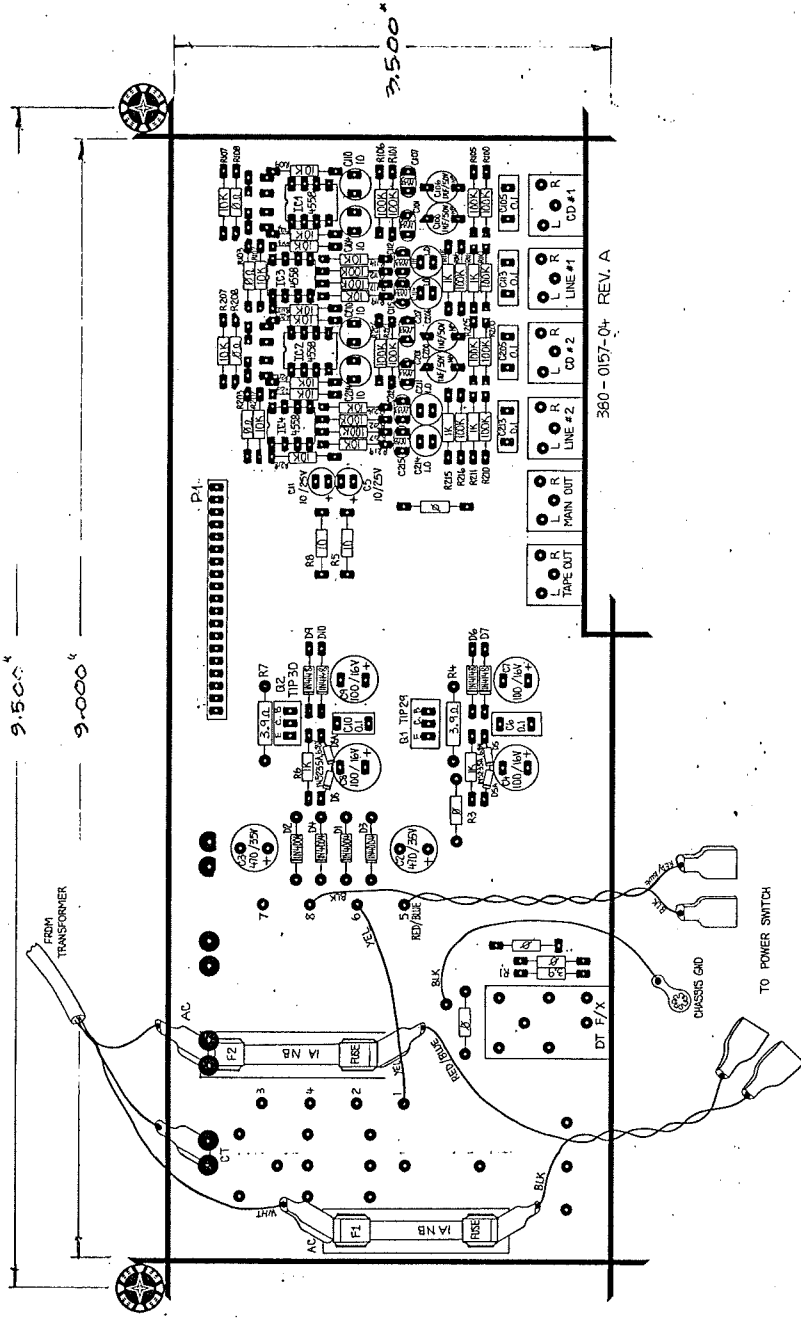
THIS DRAWING IS THE PROPERTY OF BIAMP SYSTEMS, INC. AND IS NOT TO BE REPRODUCED OR TRANSMITTED IN ANY FORM OR BY ANY MEANS, ELECTRONIC OR MECHANICAL, INCLUDING PHOTOCOPYING, RECORDING, OR BY ANY INFORMATION STORAGE AND RETRIEVAL SYSTEM. THE COMPANY WILL NOT BE RESPONSIBLE FOR ANY DAMAGE TO PROPERTY OR PERSONS ARISING FROM THE USE OF THIS DRAWING FOR ANY PURPOSE OTHER THAN THAT AUTHORIZED BY BIAMP SYSTEMS, INC. AND WILL NOT BE RESPONSIBLE FOR ANY LOSS OF PROFITS OR OTHER ECONOMIC DAMAGES.



NOTES:
 1. ALL RESISTORS ARE GIVEN IN OHMS
 2. ALL CAPACITORS ARE GIVEN IN MICROFARADS

DESIGNER	DATE	SCALE	SHEET	OF
REVISED	BY	DATE		
APPROVED	BY	DATE		
BIAMP SYSTEMS, INC. 117 VAC 50/60 HZ WALL MOUNT TRANSFORMER (220 VAC OPTIONAL)				
BIAMP SYSTEMS, INC. DJ 3600 REAR PCB SCHEMATIC				
PARTS LIST Q1 100/10W Q2 100/10W R1 5.1K R2 10K R3 1K R4 10K R5 100K R6 10K R7 5.1K R8 10K R9 10K R10 10K R11 10K R12 10K R13 10K R14 10K R15 10K R16 10K R17 10K R18 10K R19 10K C1 10/125V C2 10/125V C3 470/25V C4 10/125V C5 470/25V C6 10/125V C7 10/125V C8 6.8P C9 10/125V C10 10/125V D1 1N4148 D2 1N4148 D3 1N4148 D4 1N4148 D5 1N4148 IC1 1458 IC2 1458 U1 100MA FUSE U2 100MA FUSE				

ALL DIMENSIONS IN INCHES UNLESS OTHERWISE SPECIFIED. DIMENSIONS SHOWN ARE FOR INFORMATION ONLY. DIMENSIONS FOR FABRICATION ARE GIVEN IN THE DRAWING. DIMENSIONS FOR FABRICATION ARE GIVEN IN THE DRAWING. DIMENSIONS FOR FABRICATION ARE GIVEN IN THE DRAWING.



2X-SHOOT WITH ALL LAYERS

biamp		BIAMP SYSTEMS, INC.	
DATE	12/20/84	DESIGNED BY	MAKING
REV		DRAWN BY	MAKING
APPROVED BY		CHECKED BY	MAKING
DATE		DATE	
PROJECT	701-0420-00	PROJECT	701-0420-00
MODEL		MODEL	
MATERIAL		MATERIAL	

