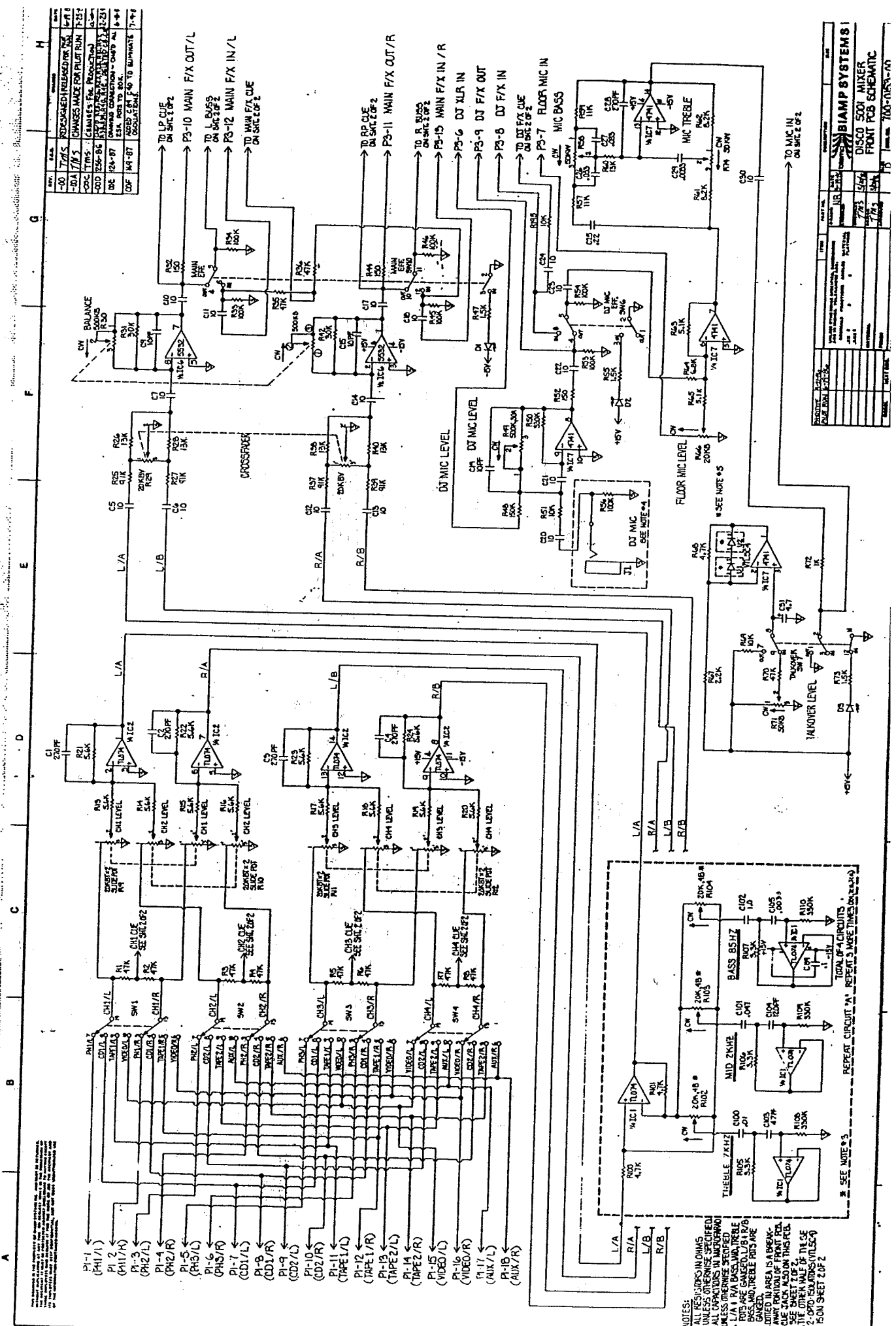


DJ 5001, 5500, 5600

Schematic

B I A M P[®]

S Y S T E M S



REV.	DATE	DESCRIPTION
100	7/75	DESIGNED/REDESIGNED FOR 500 WATT
101	7/75	CHANGES MADE FOR PILOT RUN
102	7/75	CHANGES FOR PRODUCTION
103	8/82	ADDED 500 WATT CAPABILITY
104	8/82	ADDED 500 WATT CAPABILITY
105	8/82	ADDED 500 WATT CAPABILITY
106	8/82	ADDED 500 WATT CAPABILITY
107	8/82	ADDED 500 WATT CAPABILITY
108	8/82	ADDED 500 WATT CAPABILITY
109	8/82	ADDED 500 WATT CAPABILITY
110	8/82	ADDED 500 WATT CAPABILITY

- NOTES:
1. ALL RESISTORS IN OHMS UNLESS OTHERWISE SPECIFIED.
 2. ALL CAPACITORS IN MICROFARADS UNLESS OTHERWISE SPECIFIED.
 3. L/A + R/A GANGED, L/B + R/B GANGED, TREBLE POT IS GANGED.
 4. DOTTED LINE AREA IS A BREAK-AWAY PORTION OF FRONT PANEL. CUE JACK ALSO ON THIS PANEL.
 5. TYPICAL TUNING CURVE IS SHOWN ON THIS PANEL.
 6. 2.000" DIA. DIMENSIONS UNLESS OTHERWISE SPECIFIED.

REV.	DATE	DESCRIPTION
100	7/75	DESIGNED/REDESIGNED FOR 500 WATT
101	7/75	CHANGES MADE FOR PILOT RUN
102	7/75	CHANGES FOR PRODUCTION
103	8/82	ADDED 500 WATT CAPABILITY
104	8/82	ADDED 500 WATT CAPABILITY
105	8/82	ADDED 500 WATT CAPABILITY
106	8/82	ADDED 500 WATT CAPABILITY
107	8/82	ADDED 500 WATT CAPABILITY
108	8/82	ADDED 500 WATT CAPABILITY
109	8/82	ADDED 500 WATT CAPABILITY
110	8/82	ADDED 500 WATT CAPABILITY

BIAMP SYSTEMS
DISCO 500 MIXER
FRONT PCB SCHEMATIC

REPEAT CIRCUIT 'A' - REPEAT 3 MORE TIMES (ON PANEL)

REPEAT CIRCUIT 'B' - REPEAT 3 MORE TIMES (ON PANEL)

SEE NOTE #3

SEE NOTE #4

SEE NOTE #5

SEE NOTE #6

SEE NOTE #7

SEE NOTE #8

SEE NOTE #9

SEE NOTE #10

SEE NOTE #11

SEE NOTE #12

SEE NOTE #13

SEE NOTE #14

SEE NOTE #15

SEE NOTE #16

SEE NOTE #17

SEE NOTE #18

SEE NOTE #19

SEE NOTE #20

SEE NOTE #21

SEE NOTE #22

SEE NOTE #23

SEE NOTE #24

SEE NOTE #25

SEE NOTE #26

SEE NOTE #27

SEE NOTE #28

SEE NOTE #29

SEE NOTE #30

SEE NOTE #31

SEE NOTE #32

SEE NOTE #33

SEE NOTE #34

SEE NOTE #35

SEE NOTE #36

SEE NOTE #37

SEE NOTE #38

SEE NOTE #39

SEE NOTE #40

SEE NOTE #41

SEE NOTE #42

SEE NOTE #43

SEE NOTE #44

SEE NOTE #45

SEE NOTE #46

SEE NOTE #47

SEE NOTE #48

SEE NOTE #49

SEE NOTE #50

SEE NOTE #51

SEE NOTE #52

SEE NOTE #53

SEE NOTE #54

SEE NOTE #55

SEE NOTE #56

SEE NOTE #57

SEE NOTE #58

SEE NOTE #59

SEE NOTE #60

SEE NOTE #61

SEE NOTE #62

SEE NOTE #63

SEE NOTE #64

SEE NOTE #65

SEE NOTE #66

SEE NOTE #67

SEE NOTE #68

SEE NOTE #69

SEE NOTE #70

SEE NOTE #71

SEE NOTE #72

SEE NOTE #73

SEE NOTE #74

SEE NOTE #75

SEE NOTE #76

SEE NOTE #77

SEE NOTE #78

SEE NOTE #79

SEE NOTE #80

SEE NOTE #81

SEE NOTE #82

SEE NOTE #83

SEE NOTE #84

SEE NOTE #85

SEE NOTE #86

SEE NOTE #87

SEE NOTE #88

SEE NOTE #89

SEE NOTE #90

SEE NOTE #91

SEE NOTE #92

SEE NOTE #93

SEE NOTE #94

SEE NOTE #95

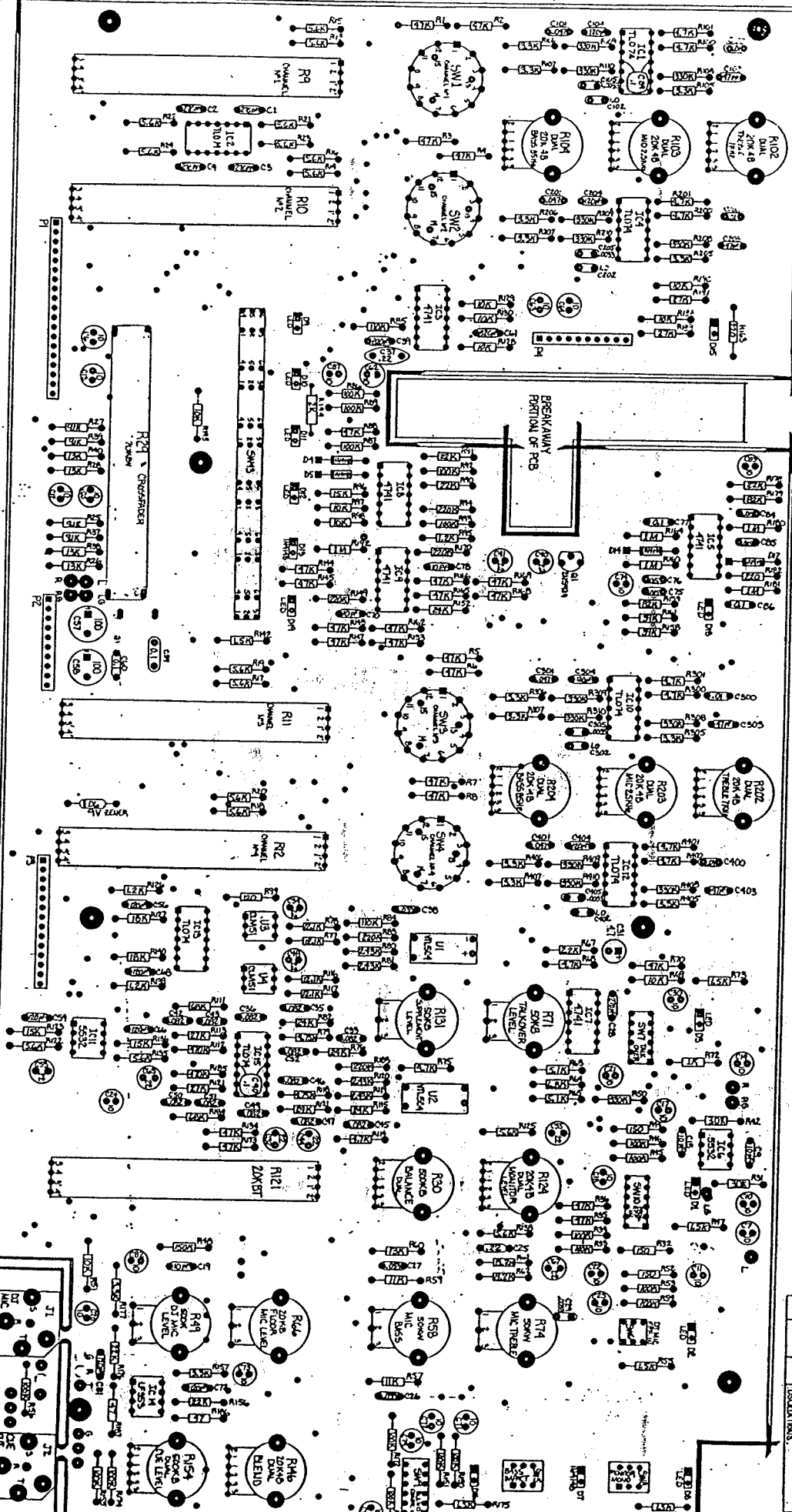
SEE NOTE #96

SEE NOTE #97

SEE NOTE #98

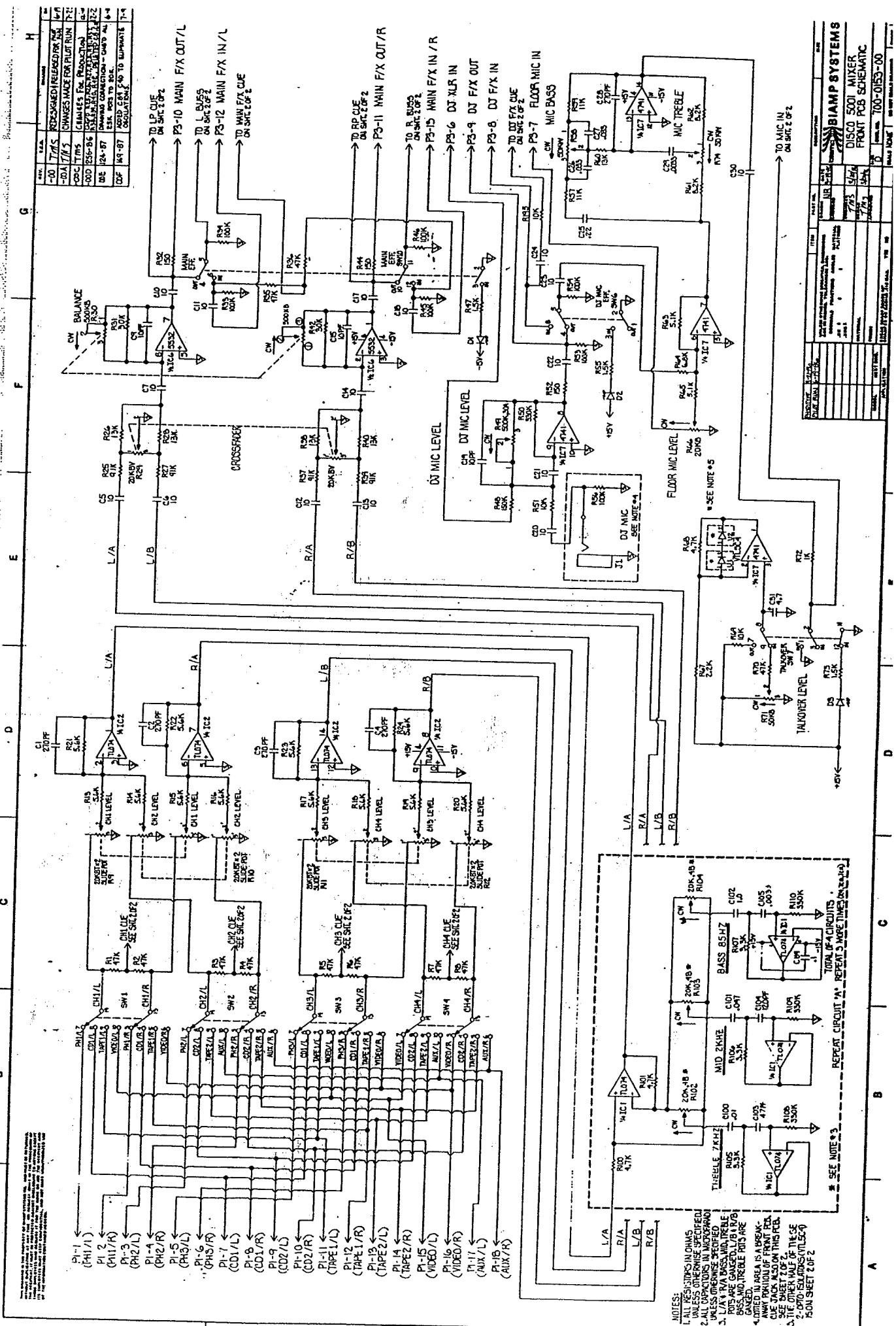
SEE NOTE #99

SEE NOTE #100



REV	DATE	DESCRIPTION
001	10-1-68	ISSUED FOR PRODUCTION
002	10-1-68	REVISION 1
003	10-1-68	REVISION 2
004	10-1-68	REVISION 3
005	10-1-68	REVISION 4
006	10-1-68	REVISION 5
007	10-1-68	REVISION 6
008	10-1-68	REVISION 7
009	10-1-68	REVISION 8
010	10-1-68	REVISION 9
011	10-1-68	REVISION 10
012	10-1-68	REVISION 11
013	10-1-68	REVISION 12
014	10-1-68	REVISION 13
015	10-1-68	REVISION 14
016	10-1-68	REVISION 15
017	10-1-68	REVISION 16
018	10-1-68	REVISION 17
019	10-1-68	REVISION 18
020	10-1-68	REVISION 19
021	10-1-68	REVISION 20
022	10-1-68	REVISION 21
023	10-1-68	REVISION 22
024	10-1-68	REVISION 23
025	10-1-68	REVISION 24
026	10-1-68	REVISION 25
027	10-1-68	REVISION 26
028	10-1-68	REVISION 27
029	10-1-68	REVISION 28
030	10-1-68	REVISION 29
031	10-1-68	REVISION 30
032	10-1-68	REVISION 31
033	10-1-68	REVISION 32
034	10-1-68	REVISION 33
035	10-1-68	REVISION 34
036	10-1-68	REVISION 35
037	10-1-68	REVISION 36
038	10-1-68	REVISION 37
039	10-1-68	REVISION 38
040	10-1-68	REVISION 39
041	10-1-68	REVISION 40
042	10-1-68	REVISION 41
043	10-1-68	REVISION 42
044	10-1-68	REVISION 43
045	10-1-68	REVISION 44
046	10-1-68	REVISION 45
047	10-1-68	REVISION 46
048	10-1-68	REVISION 47
049	10-1-68	REVISION 48
050	10-1-68	REVISION 49
051	10-1-68	REVISION 50
052	10-1-68	REVISION 51
053	10-1-68	REVISION 52
054	10-1-68	REVISION 53
055	10-1-68	REVISION 54
056	10-1-68	REVISION 55
057	10-1-68	REVISION 56
058	10-1-68	REVISION 57
059	10-1-68	REVISION 58
060	10-1-68	REVISION 59
061	10-1-68	REVISION 60
062	10-1-68	REVISION 61
063	10-1-68	REVISION 62
064	10-1-68	REVISION 63
065	10-1-68	REVISION 64
066	10-1-68	REVISION 65
067	10-1-68	REVISION 66
068	10-1-68	REVISION 67
069	10-1-68	REVISION 68
070	10-1-68	REVISION 69
071	10-1-68	REVISION 70
072	10-1-68	REVISION 71
073	10-1-68	REVISION 72
074	10-1-68	REVISION 73
075	10-1-68	REVISION 74

Blomkamp
 LAMP UNIT
 2500 FRONT RD ASSY
 70-0153-00



REV.	DATE	DESCRIPTION
-00	7/83	REDESIGNED RELEASED FOR NIA
-01	7/83	CHANGES MADE FOR PILOT RUN
-02	7/83	CHANGES FOR PRODUCTION
-03	7/83	ADD TIPS
-04	7/83	ADD 25K-86
-05	7/83	ADD 10K-87
-06	7/83	ADD 10K-87
-07	7/83	ADD 10K-87
-08	7/83	ADD 10K-87
-09	7/83	ADD 10K-87
-10	7/83	ADD 10K-87

REV.	DATE	DESCRIPTION
-11	7/83	ADD 10K-87
-12	7/83	ADD 10K-87
-13	7/83	ADD 10K-87
-14	7/83	ADD 10K-87
-15	7/83	ADD 10K-87
-16	7/83	ADD 10K-87
-17	7/83	ADD 10K-87
-18	7/83	ADD 10K-87
-19	7/83	ADD 10K-87
-20	7/83	ADD 10K-87

REV.	DATE	DESCRIPTION
-21	7/83	ADD 10K-87
-22	7/83	ADD 10K-87
-23	7/83	ADD 10K-87
-24	7/83	ADD 10K-87
-25	7/83	ADD 10K-87
-26	7/83	ADD 10K-87
-27	7/83	ADD 10K-87
-28	7/83	ADD 10K-87
-29	7/83	ADD 10K-87
-30	7/83	ADD 10K-87

REV.	DATE	DESCRIPTION
-31	7/83	ADD 10K-87
-32	7/83	ADD 10K-87
-33	7/83	ADD 10K-87
-34	7/83	ADD 10K-87
-35	7/83	ADD 10K-87
-36	7/83	ADD 10K-87
-37	7/83	ADD 10K-87
-38	7/83	ADD 10K-87
-39	7/83	ADD 10K-87
-40	7/83	ADD 10K-87

REV.	DATE	DESCRIPTION
-41	7/83	ADD 10K-87
-42	7/83	ADD 10K-87
-43	7/83	ADD 10K-87
-44	7/83	ADD 10K-87
-45	7/83	ADD 10K-87
-46	7/83	ADD 10K-87
-47	7/83	ADD 10K-87
-48	7/83	ADD 10K-87
-49	7/83	ADD 10K-87
-50	7/83	ADD 10K-87

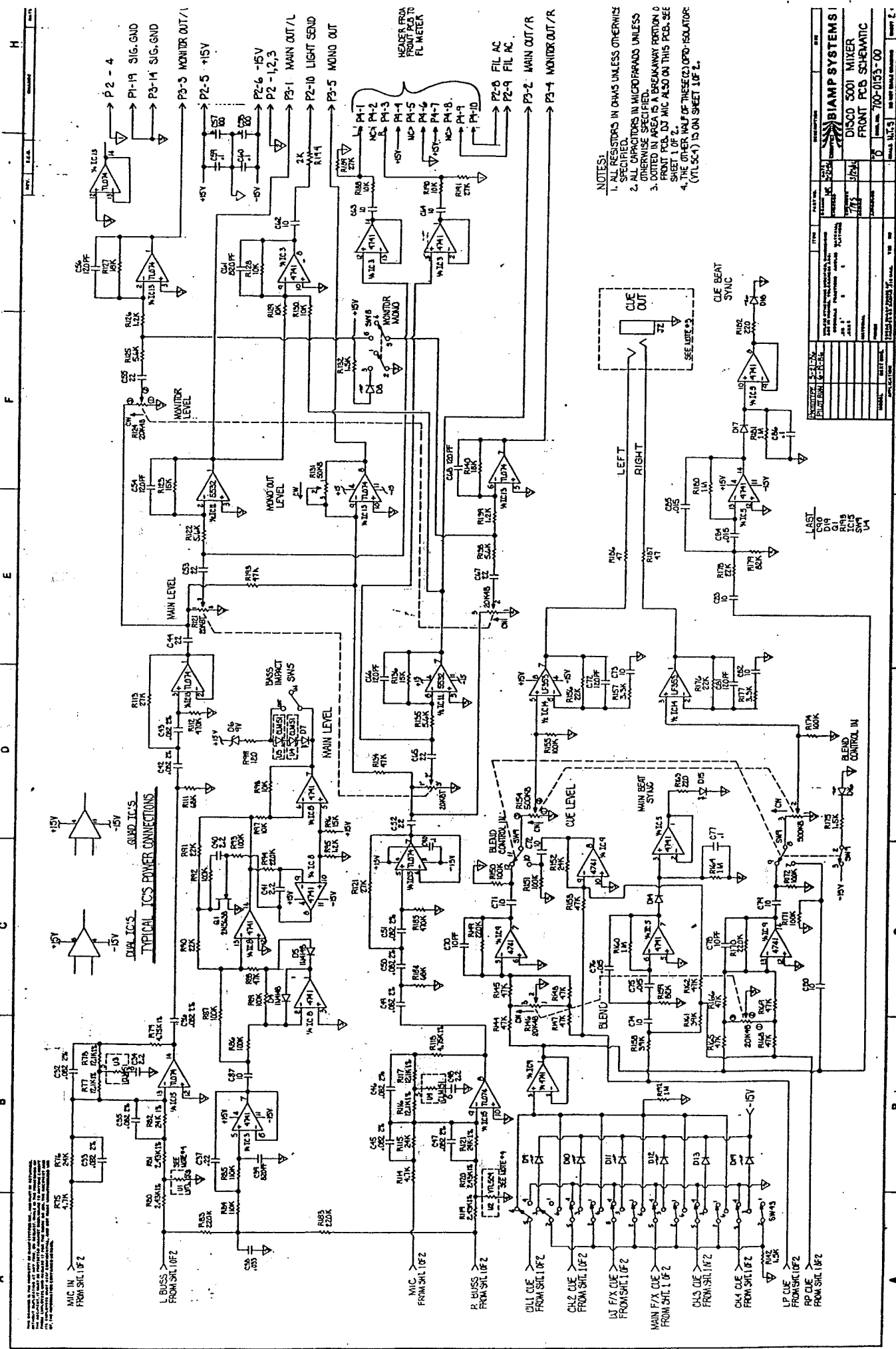
REV.	DATE	DESCRIPTION
-51	7/83	ADD 10K-87
-52	7/83	ADD 10K-87
-53	7/83	ADD 10K-87
-54	7/83	ADD 10K-87
-55	7/83	ADD 10K-87
-56	7/83	ADD 10K-87
-57	7/83	ADD 10K-87
-58	7/83	ADD 10K-87
-59	7/83	ADD 10K-87
-60	7/83	ADD 10K-87

NOTES:
 1. ALL RESISTORS IN OHMS UNLESS OTHERWISE SPECIFIED.
 2. ALL CAPACITORS IN MICROFARADS UNLESS OTHERWISE SPECIFIED.
 3. L/A V/A BASS AND TREBLE POTIS ARE GANGED. L/R R/B TREBLE POTIS ARE GANGED.
 4. DOTTED IN AREA IS A BREAK-AWAY PORTION OF FRONT PCB. GUE JACK ALSO ON THIS PCB.
 5. THE OTHER TIPS ON THIS PCB ARE GANGED.
 6. SEE SHEET 2 OF 2.

REV.	DATE	DESCRIPTION
-01	7/83	ADD 10K-87
-02	7/83	ADD 10K-87
-03	7/83	ADD 10K-87
-04	7/83	ADD 10K-87
-05	7/83	ADD 10K-87
-06	7/83	ADD 10K-87
-07	7/83	ADD 10K-87
-08	7/83	ADD 10K-87
-09	7/83	ADD 10K-87
-10	7/83	ADD 10K-87

REV.	DATE	DESCRIPTION
-11	7/83	ADD 10K-87
-12	7/83	ADD 10K-87
-13	7/83	ADD 10K-87
-14	7/83	ADD 10K-87
-15	7/83	ADD 10K-87
-16	7/83	ADD 10K-87
-17	7/83	ADD 10K-87
-18	7/83	ADD 10K-87
-19	7/83	ADD 10K-87
-20	7/83	ADD 10K-87

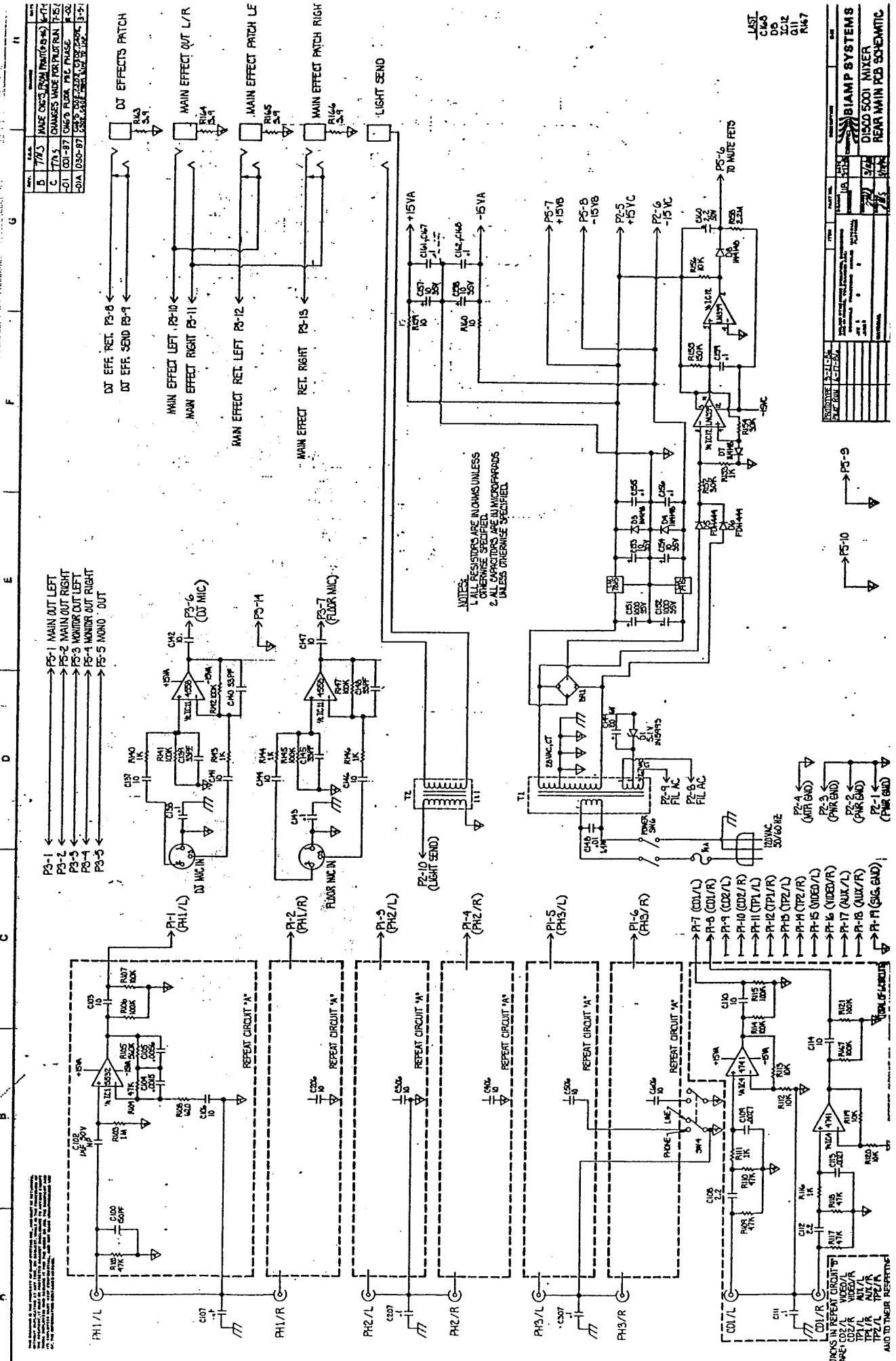
BIAMP SYSTEMS
 DISCO 5001 MIXER
 FRONT PCB SCHEMATIC
 700-0185-00



- NOTES:
1. ALL RESISTORS IN OHMS UNLESS OTHERWISE SPECIFIED.
 2. ALL CAPACITORS IN MICROFARADS UNLESS OTHERWISE SPECIFIED.
 3. OTHERS IN AREA IS A BREAKAWAY REGION OF FRONT PCB. D7 MIC ALSO ON THIS PCB. SEE SHEET 1 OF 2.
 4. THE OTHER HALF OF THESE (D7) OPD-INSULATOR (VLS-CA) IS ON SHEET 1 OF 2.

BIAMP SYSTEMS	
DISCO 5001 MIXER	
FRONT PCB SCHEMATIC	
REV.	DATE
1	7/73
2	7/73
3	7/73
4	7/73
5	7/73
6	7/73
7	7/73
8	7/73
9	7/73
10	7/73
11	7/73
12	7/73
13	7/73
14	7/73
15	7/73
16	7/73
17	7/73
18	7/73
19	7/73
20	7/73
21	7/73
22	7/73
23	7/73
24	7/73
25	7/73
26	7/73
27	7/73
28	7/73
29	7/73
30	7/73
31	7/73
32	7/73
33	7/73
34	7/73
35	7/73
36	7/73
37	7/73
38	7/73
39	7/73
40	7/73
41	7/73
42	7/73
43	7/73
44	7/73
45	7/73
46	7/73
47	7/73
48	7/73
49	7/73
50	7/73
51	7/73
52	7/73
53	7/73
54	7/73
55	7/73
56	7/73
57	7/73
58	7/73
59	7/73
60	7/73
61	7/73
62	7/73
63	7/73
64	7/73
65	7/73
66	7/73
67	7/73
68	7/73
69	7/73
70	7/73
71	7/73
72	7/73
73	7/73
74	7/73
75	7/73
76	7/73
77	7/73
78	7/73
79	7/73
80	7/73
81	7/73
82	7/73
83	7/73
84	7/73
85	7/73
86	7/73
87	7/73
88	7/73
89	7/73
90	7/73
91	7/73
92	7/73
93	7/73
94	7/73
95	7/73
96	7/73
97	7/73
98	7/73
99	7/73
100	7/73

REF. DES.	QTY	VALUE	UNIT	DESCRIPTION
R1	1	20K	Ω	RESISTOR
R2	1	10K	Ω	RESISTOR
R3	1	5K	Ω	RESISTOR
R4	1	100K	Ω	RESISTOR
R5	1	10K	Ω	RESISTOR
R6	1	10K	Ω	RESISTOR
R7	1	10K	Ω	RESISTOR
R8	1	10K	Ω	RESISTOR
R9	1	10K	Ω	RESISTOR
R10	1	10K	Ω	RESISTOR
R11	1	10K	Ω	RESISTOR
R12	1	10K	Ω	RESISTOR
R13	1	10K	Ω	RESISTOR
R14	1	10K	Ω	RESISTOR
R15	1	10K	Ω	RESISTOR
R16	1	10K	Ω	RESISTOR
R17	1	10K	Ω	RESISTOR
R18	1	10K	Ω	RESISTOR
R19	1	10K	Ω	RESISTOR
R20	1	10K	Ω	RESISTOR
R21	1	10K	Ω	RESISTOR
R22	1	10K	Ω	RESISTOR
R23	1	10K	Ω	RESISTOR
R24	1	10K	Ω	RESISTOR
R25	1	10K	Ω	RESISTOR
R26	1	10K	Ω	RESISTOR
R27	1	10K	Ω	RESISTOR
R28	1	10K	Ω	RESISTOR
R29	1	10K	Ω	RESISTOR
R30	1	10K	Ω	RESISTOR
R31	1	10K	Ω	RESISTOR
R32	1	10K	Ω	RESISTOR
R33	1	10K	Ω	RESISTOR
R34	1	10K	Ω	RESISTOR
R35	1	10K	Ω	RESISTOR
R36	1	10K	Ω	RESISTOR
R37	1	10K	Ω	RESISTOR
R38	1	10K	Ω	RESISTOR
R39	1	10K	Ω	RESISTOR
R40	1	10K	Ω	RESISTOR
R41	1	10K	Ω	RESISTOR
R42	1	10K	Ω	RESISTOR
R43	1	10K	Ω	RESISTOR
R44	1	10K	Ω	RESISTOR
R45	1	10K	Ω	RESISTOR
R46	1	10K	Ω	RESISTOR
R47	1	10K	Ω	RESISTOR
R48	1	10K	Ω	RESISTOR
R49	1	10K	Ω	RESISTOR
R50	1	10K	Ω	RESISTOR
R51	1	10K	Ω	RESISTOR
R52	1	10K	Ω	RESISTOR
R53	1	10K	Ω	RESISTOR
R54	1	10K	Ω	RESISTOR
R55	1	10K	Ω	RESISTOR
R56	1	10K	Ω	RESISTOR
R57	1	10K	Ω	RESISTOR
R58	1	10K	Ω	RESISTOR
R59	1	10K	Ω	RESISTOR
R60	1	10K	Ω	



DATE	BY	REVISION
11/7/73	WFL	MADE CHANGES FROM (08/84)
11/7/73	WFL	CHANGES MADE FOR PLANT RUN
01-01-87	WFL	CHG'S FOR P.C. PHASE
03-05-87	WFL	CHG'S FOR P.C. PHASE

LAST
C140
D10
IC12
G11
RM7

DATE	BY	REVISION
11/7/73	WFL	MADE CHANGES FROM (08/84)
11/7/73	WFL	CHANGES MADE FOR PLANT RUN
01-01-87	WFL	CHG'S FOR P.C. PHASE
03-05-87	WFL	CHG'S FOR P.C. PHASE

DATE	BY	REVISION
11/7/73	WFL	MADE CHANGES FROM (08/84)
11/7/73	WFL	CHANGES MADE FOR PLANT RUN
01-01-87	WFL	CHG'S FOR P.C. PHASE
03-05-87	WFL	CHG'S FOR P.C. PHASE

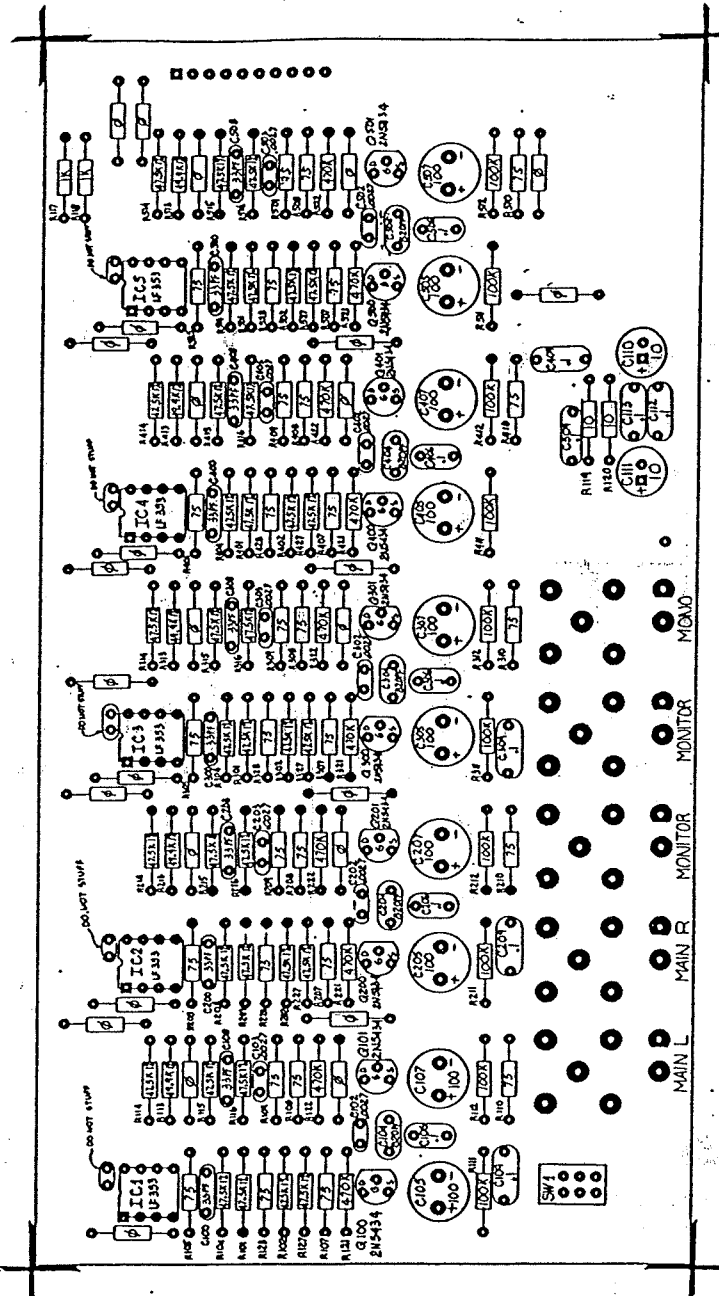
DATE	BY	REVISION
11/7/73	WFL	MADE CHANGES FROM (08/84)
11/7/73	WFL	CHANGES MADE FOR PLANT RUN
01-01-87	WFL	CHG'S FOR P.C. PHASE
03-05-87	WFL	CHG'S FOR P.C. PHASE

DATE	BY	REVISION
11/7/73	WFL	MADE CHANGES FROM (08/84)
11/7/73	WFL	CHANGES MADE FOR PLANT RUN
01-01-87	WFL	CHG'S FOR P.C. PHASE
03-05-87	WFL	CHG'S FOR P.C. PHASE

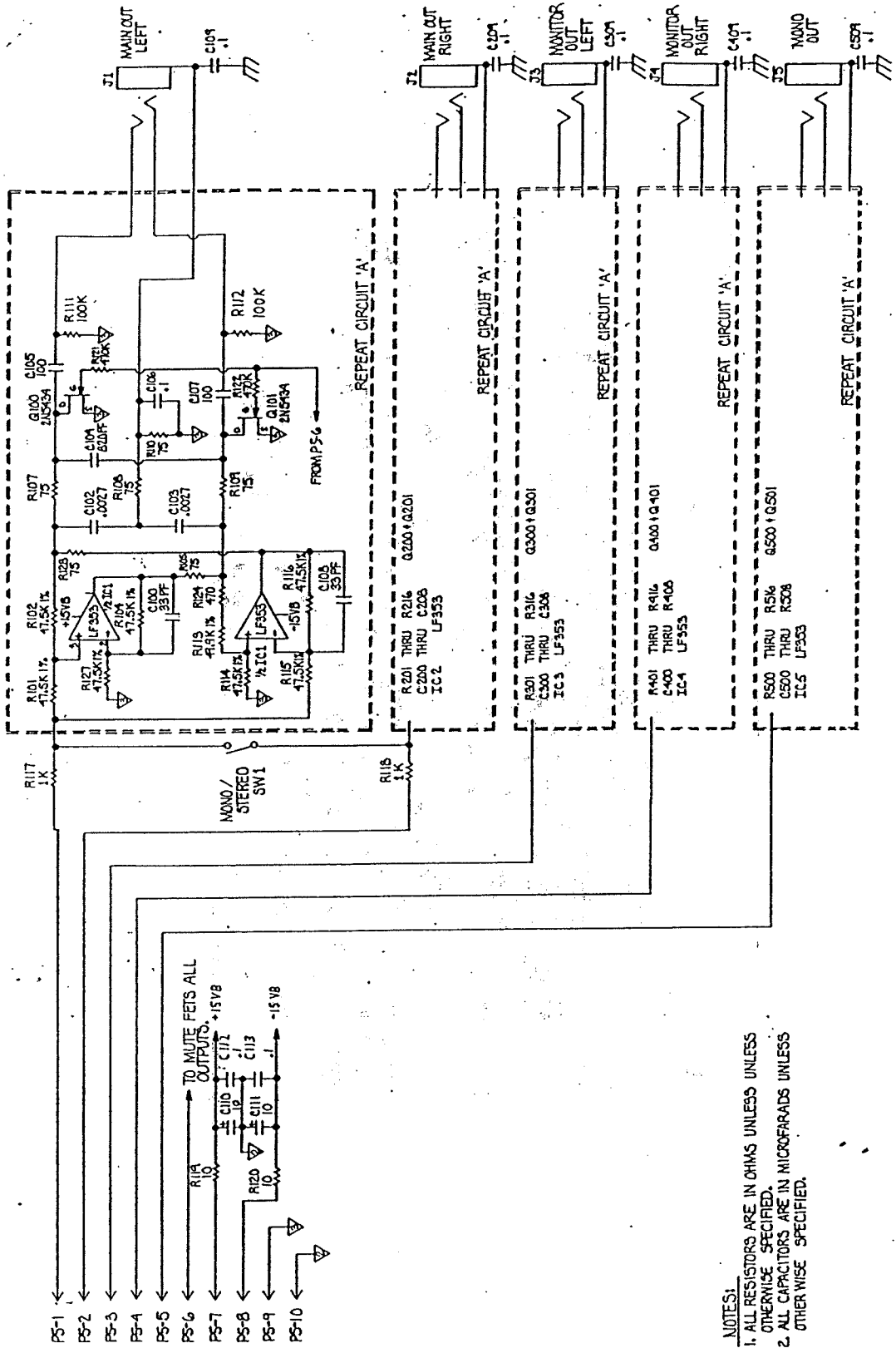
NOTES:
1. RESISTORS ARE IN OHMS UNLESS OTHERWISE SPECIFIED.
2. ALL CAPACITORS ARE IN MICROFARADS UNLESS OTHERWISE SPECIFIED.

PLUGS IN REPEAT CIRCUIT *A*
PH1/L
PH1/R
PH2/L
PH2/R
PH3/L
PH3/R
CO1/L
CO1/R
AND TO THEIR RESPECTIVE

TO MUTE FEEDS
PS-6
PS-7
PS-8
PS-9
PS-10
PS-11
PS-12
PS-13
PS-14
PS-15
PS-16
PS-17
PS-18
PS-19
PS-20



BIAMP SYSTEMS
 AUG 1984 6-210-94
 PARTIAL 6-18-84
 9-03-86
 DISCO 5701 REAR TRACK PCB | 701-01
 COMPONENT LAYOUT



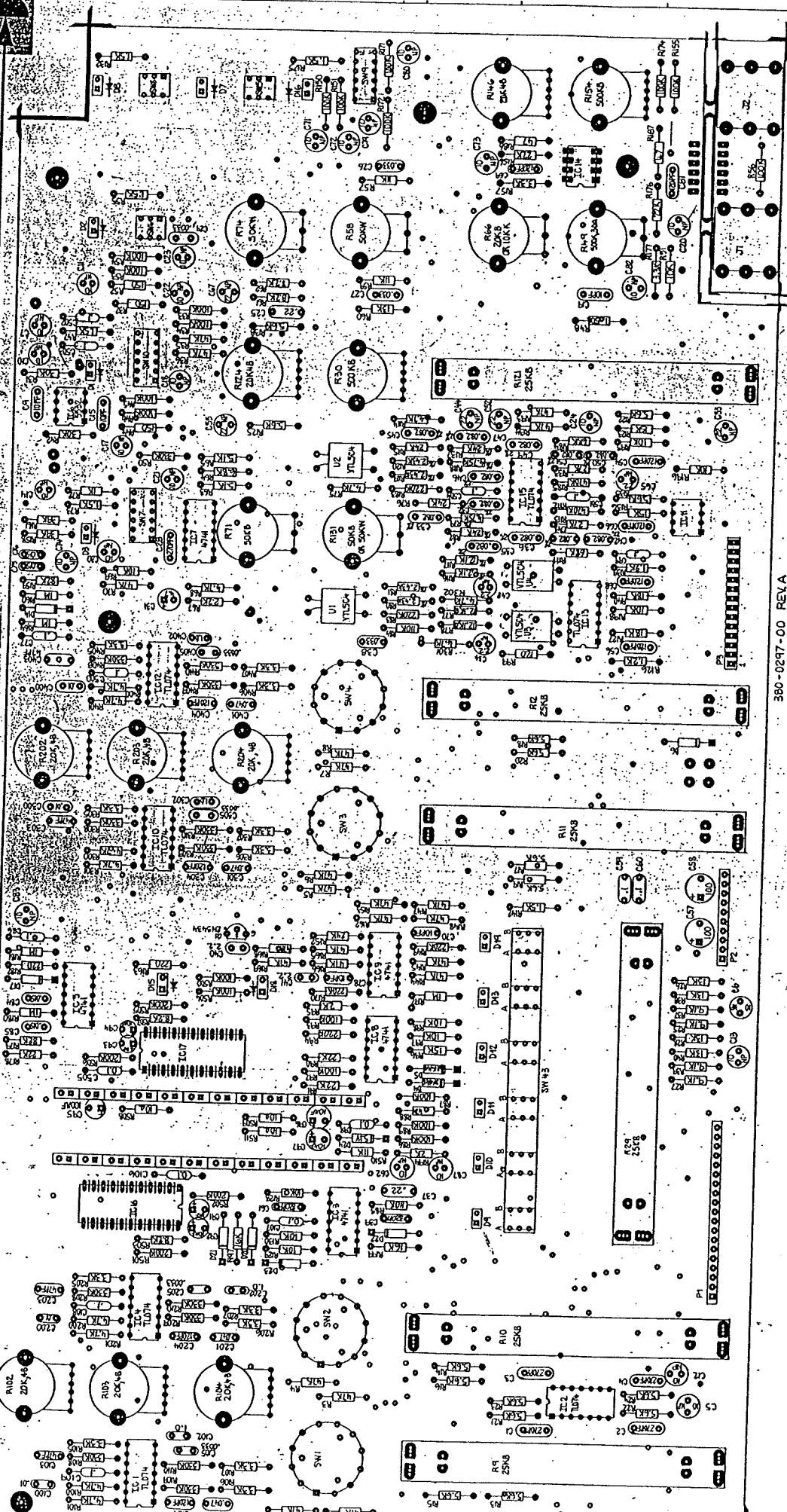
LAST
 C115
 J5
 IC5
 R123, 124, 128
 SW1
 Q101

NOTES:
 1. ALL RESISTORS ARE IN OHMS UNLESS OTHERWISE SPECIFIED.
 2. ALL CAPACITORS ARE IN MICROFARADS UNLESS OTHERWISE SPECIFIED.

PLUTRON 4-20-86	REV	DATE
PROTOTYPE 4-10-86	1	10/86
DATE	BY	CHKD
REV 4-7-86	A	CHGD CIRCUIT FROM REAR PANEL
REV 1-17-86	B	CHG CAPS & ADDED RESISTORS
REV 1-17-86	C	CHANGES MADE RE: PLUTON PLAN
REV		
DISCO 5001 REAR JACK PCB 700-01553-02		

REV. 1.0
 DATE: 10/15/00
 DRAWN BY: J. S. A. E.

Reduce to 16.00 inches

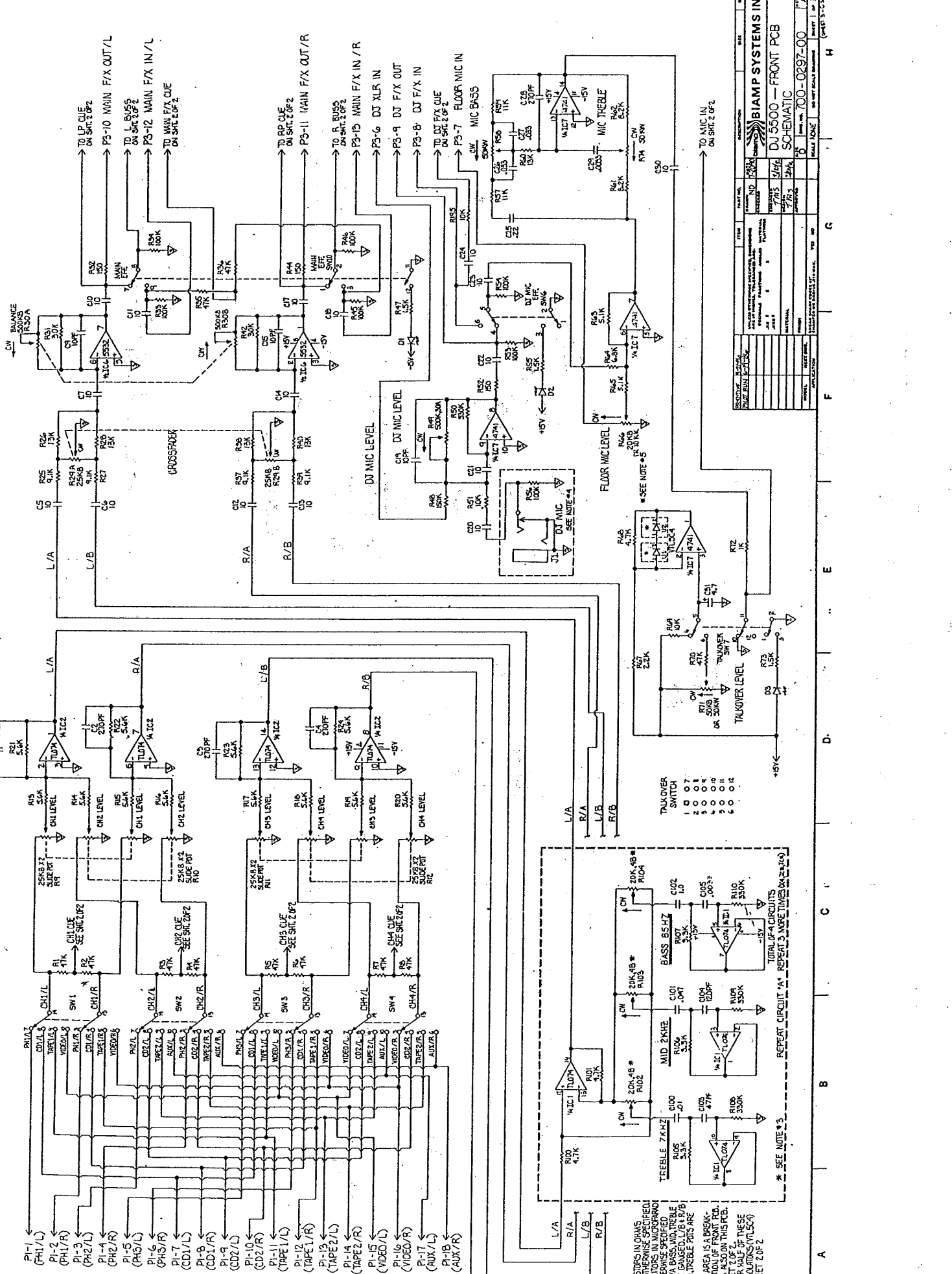


380-0297-00 REV.A

MASTER PAD

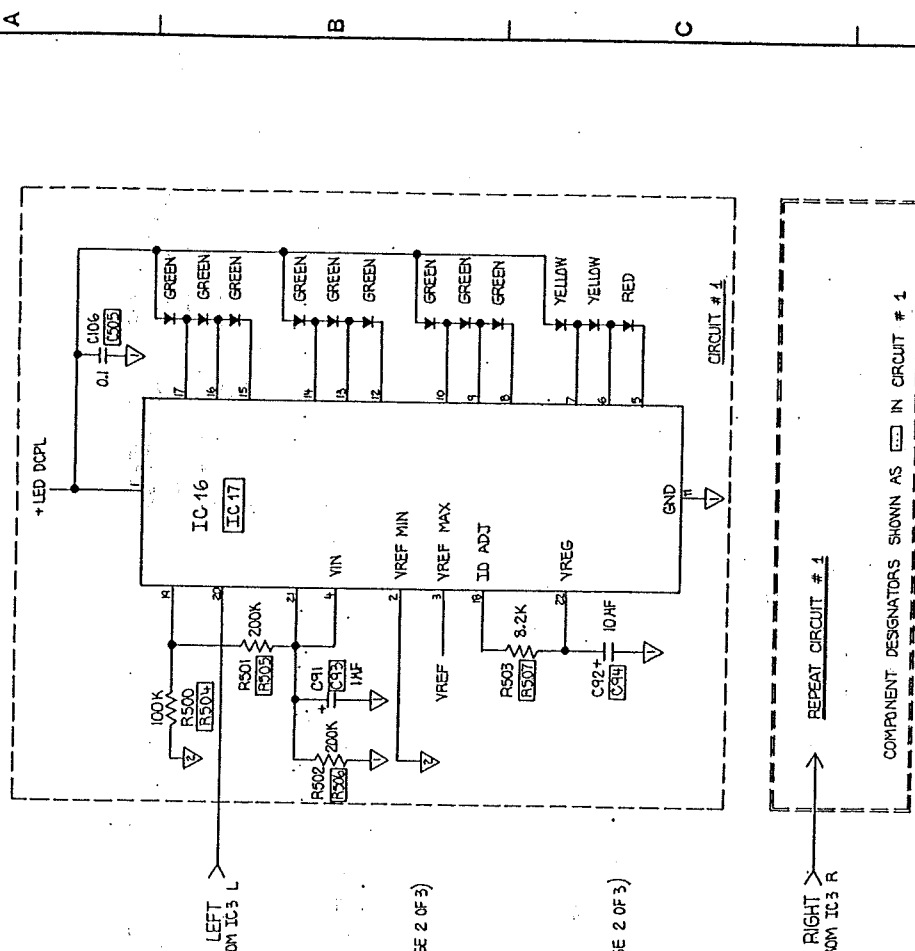
DATE	10/15/00	REV	1.0
DESIGNED BY	J. S. A. E.	CHECKED BY	J. S. A. E.
APPROVED BY		DATE	10/15/00
blamp			
BLAMP SYSTEMS, INC.			
PORTLAND, OR 97208			
COMPONENT LAYOUT			
D1 5500 FRONT PCB			
FILE NO.	701-0297-00	REV	1.0
DATE	10/15/00	REV	1.0
BY	J. S. A. E.	DATE	10/15/00
CHECKED BY	J. S. A. E.	DATE	10/15/00
APPROVED BY		DATE	10/15/00

A B C



BIAMP SYSTEMS INC. 700-0297-00
 DJ 5500 - FRONT PCB SCHEMATIC
 REV. 1.0
 DATE: 10/94
 BY: [Signature]
 APP. [Signature]
 10-940 NO

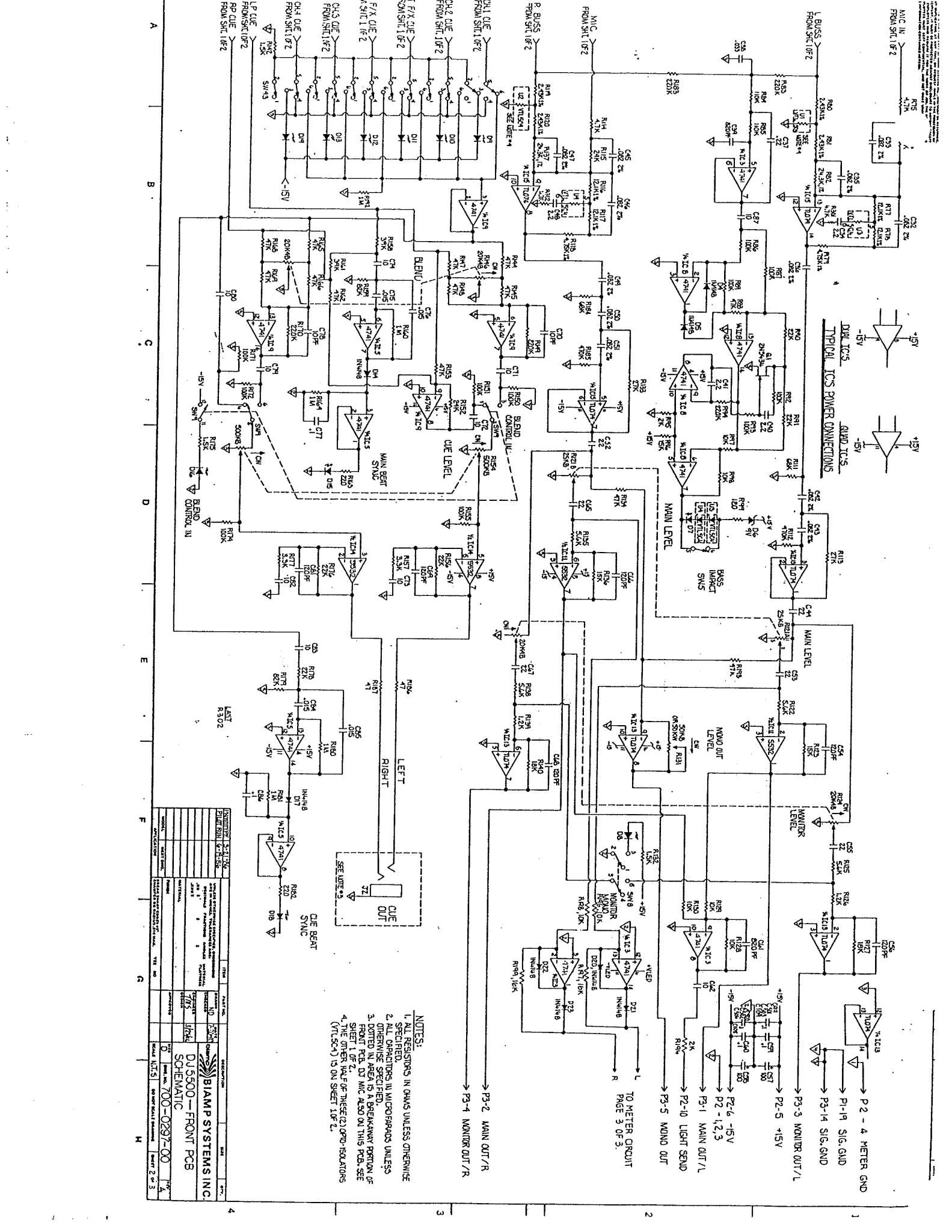
THIS DRAWING IS THE PROPERTY OF BIAMP SYSTEMS, INC. IT IS TO BE USED ONLY FOR THE PROJECT AND QUANTITY SPECIFIED. IT IS NOT TO BE REPRODUCED OR TRANSMITTED IN ANY FORM OR BY ANY MEANS, ELECTRONIC OR MECHANICAL, INCLUDING PHOTOCOPYING, RECORDING, OR BY ANY INFORMATION STORAGE AND RETRIEVAL SYSTEM. WITHOUT THE WRITTEN PERMISSION OF BIAMP SYSTEMS, INC., THIS DRAWING IS NOT TO BE USED FOR ANY OTHER PROJECT OR QUANTITY.



LAST:

- R511
- C106, C905
- D 24
- G 1
- IC17
- SK91
- U4

ITEM	DESCRIPTION	SIZE	QTY.
bigamp BIAMP SYSTEMS			
DJ 5500 FRONT PCB			
SCHEMATIC			
SIZE	C	DRG. NO.	700-0297-00
SCALE	NONE	DO NOT SCALE DRAWING	SHEET 3 OF 3
APPROVED			
CHECKED			
DESIGNED			
DRAWN			
DATE			
REV. NO.			
YES			
NO			



TYPICAL IC'S POWER CONNECTIONS



- NOTES:
1. ALL RESISTORS IN OHMS UNLESS OTHERWISE SPECIFIED.
 2. ALL CAPACITORS IN MICROFARADS UNLESS OTHERWISE SPECIFIED.
 3. DIMENSIONS SPECIFIED PERFORM PERFORM FRONT SHEET AND MIC ALSO ON THIS PCB. SEE SHEET 1 OF 2.
 4. THE OTHER HALF OF THESE (2) 1000-Ω ISOLATORS (VTL SC-4) IS ON SHEET 1 OF 2.

BIAMP SYSTEMS INC. 700-0297-00 SCHEMATIC FRONT PCB	
PART NO. D15500-FRONT PCB	REV. NO. 0
DATE 1974	DRAWN BY JPH
CHECKED BY JPH	APPROVED BY JPH
DESIGNED BY JPH	TESTED BY JPH
MANUFACTURED BY JPH	ASSEMBLED BY JPH
DRAWN DATE 1974	TESTED DATE 1974
MANUFACTURE DATE 1974	ASSEMBLE DATE 1974
SHEET NO. 2 OF 3	TOTAL SHEETS 3

A B C D E F G H

TO METER CIRCUIT
PAGE 3 OF 3.

P2-4 METER GND
P1-19 SIG. GND
P3-14 SIG. GND
P2-5 +5V
P2-6 -5V
P2-1,2,3
P3-1 MAIN OUT/L
P2-10 LIGHT SEND
P3-5 MOUND OUT
P3-3 MONITOR OUT/L
P3-14 SIG. GND