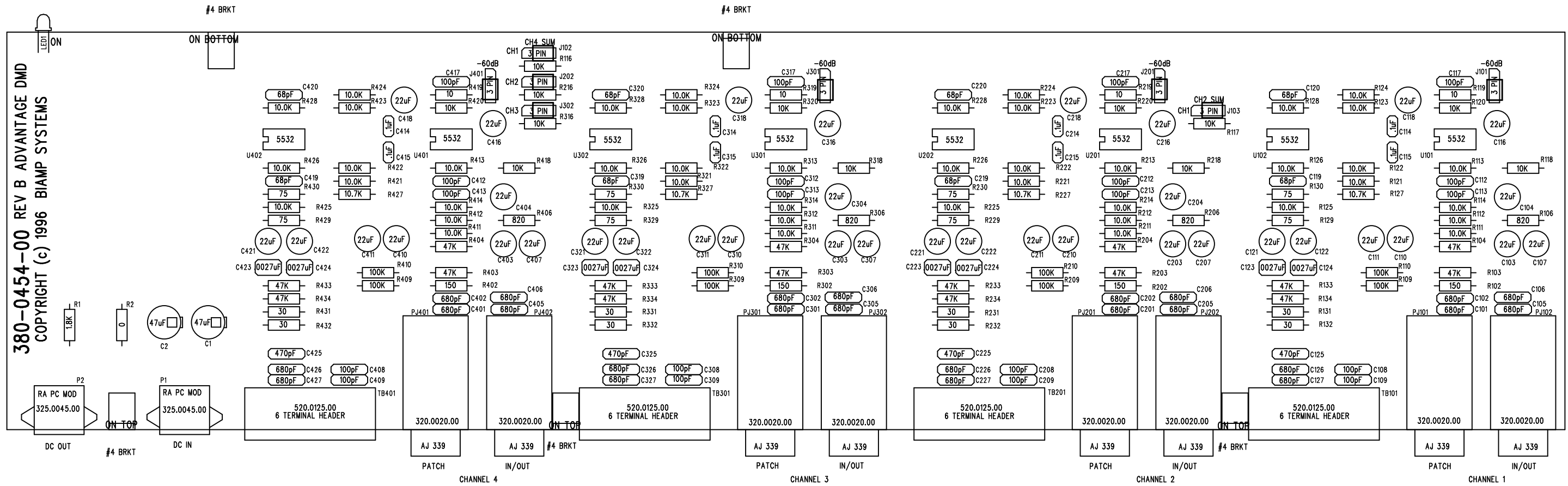


**DMD**  
**Device Matching**  
**Driver**  
**Schematic**

Released June 25,

380-0454-00 REV B ADVANTAGE DMD  
COPYRIGHT (c) 1996 BIAMP SYSTEMS



BIAMP SYSTEMS  
14130 N.W. Science Park Drive  
Portland, Oregon 97229  
(503) 641-7287

380-0454-00 REV B  
ADVANTAGE DMD PCB

Sheet 1 of 5 : Component I.D. Silkscreen  
Sheet 2 of 5 : Component Side

REVISION RECORD				
REV	ECO #	DESCRIPTION:	DATE:	BY:
A	174-94	REV'D FOR PRODUCTION, FIXED R106 VALUE	1-25-95	RG
B	152-96	CHG'D CONNECTORS, DELETED R & C'S @ INPUT	3-31-97	RG
BZ	89-97	CHG'D Cx08 & Cx09 TO 100PF	6-19-97	

