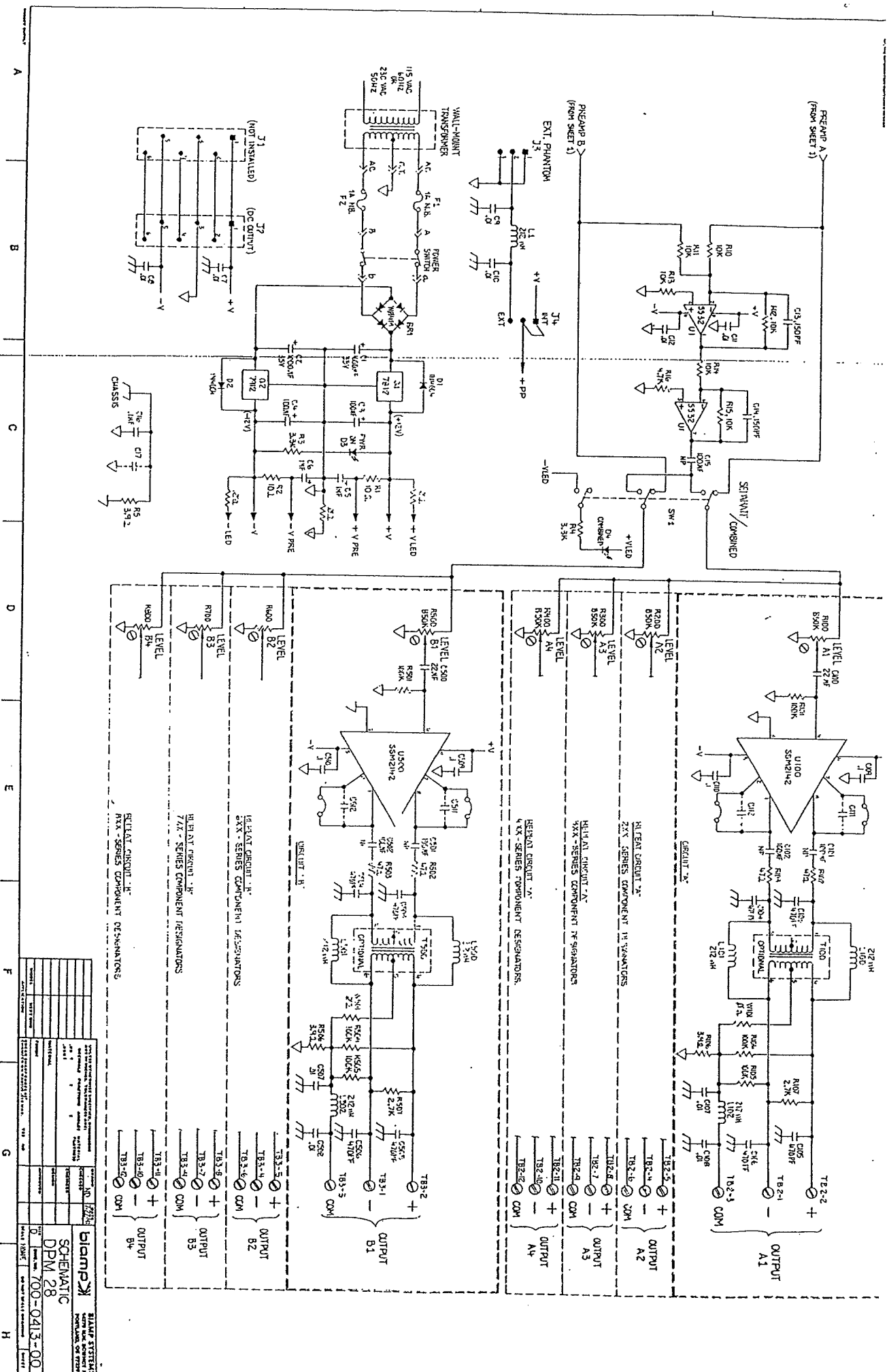


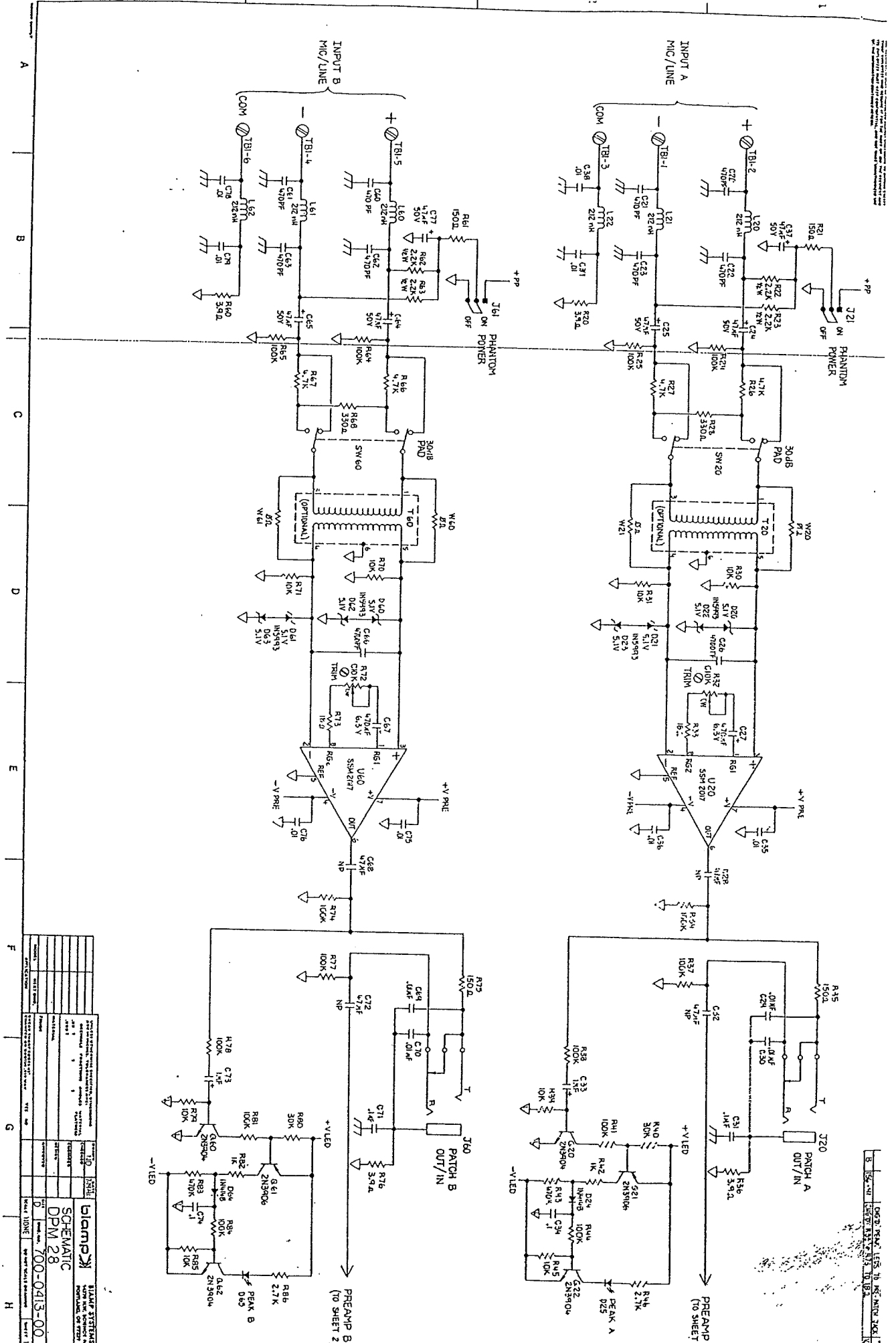
DPM/ 28
Schematic

B I A M P[®]
—
S Y S T E M S

10074 SW Arctic Drive Beaverton, OR 97005 503-641-7287



Blampack SCHEMATIC DPM 28 700-0413-00	
PART NO. 700-0413-00 REV. 1 DATE 10/80	MANUFACTURED BY BLAMPACK SYSTEMS, INC. 1000 W. 10TH ST. DENVER, CO 80202
TITLE SCHEMATIC	DRAWN BY J. J. B.
CHECKED BY J. J. B.	DATE 10/80
APPROVED BY J. J. B.	SCALE 1:1
SHEET NO. 1	TOTAL SHEETS 2



Blampy		Blampy Systems, Inc.	
SCHEMATIC		DPM 28	
700-0413-00		1 B	
REV. 11/06		REV. 11/06	
DATE		DATE	
DRAWN		DRAWN	
CHECKED		CHECKED	
APPROVED		APPROVED	

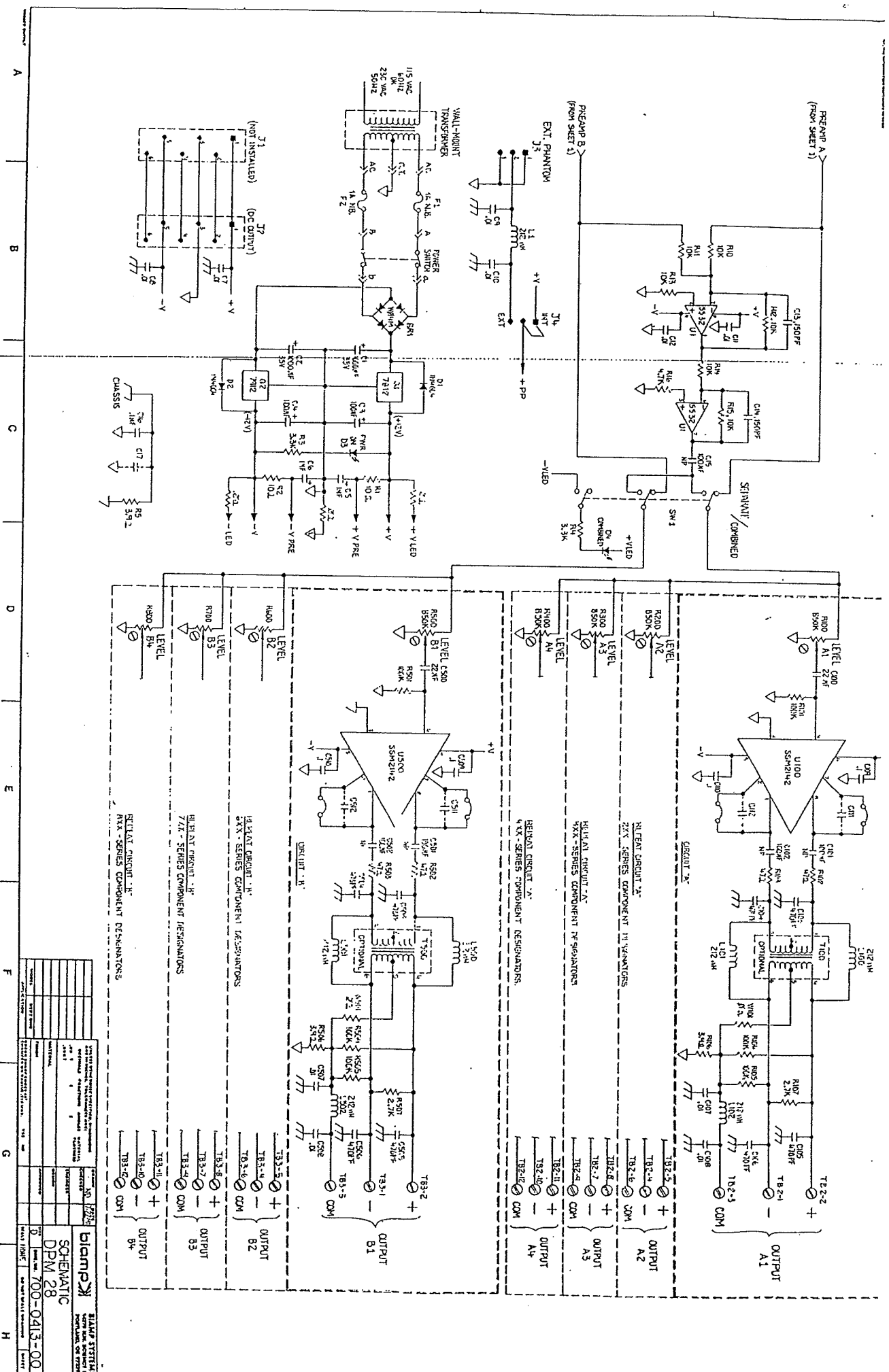
THIS DRAWING IS THE PROPERTY OF BLAMPY SYSTEMS, INC. IT IS TO BE KEPT IN CONFIDENTIALITY AND NOT TO BE REPRODUCED OR TRANSMITTED IN ANY FORM OR BY ANY MEANS, ELECTRONIC OR MECHANICAL, INCLUDING PHOTOCOPYING, RECORDING, OR BY ANY INFORMATION STORAGE AND RETRIEVAL SYSTEM.

10620 PEAK 155 TO REC INSTR 30K 10 18 2 10 25 11

DPM/ 28
Schematic

B I A M P[®]
S Y S T E M S

10074 SW Arctic Drive Beaverton, OR 97005 503-641-7287



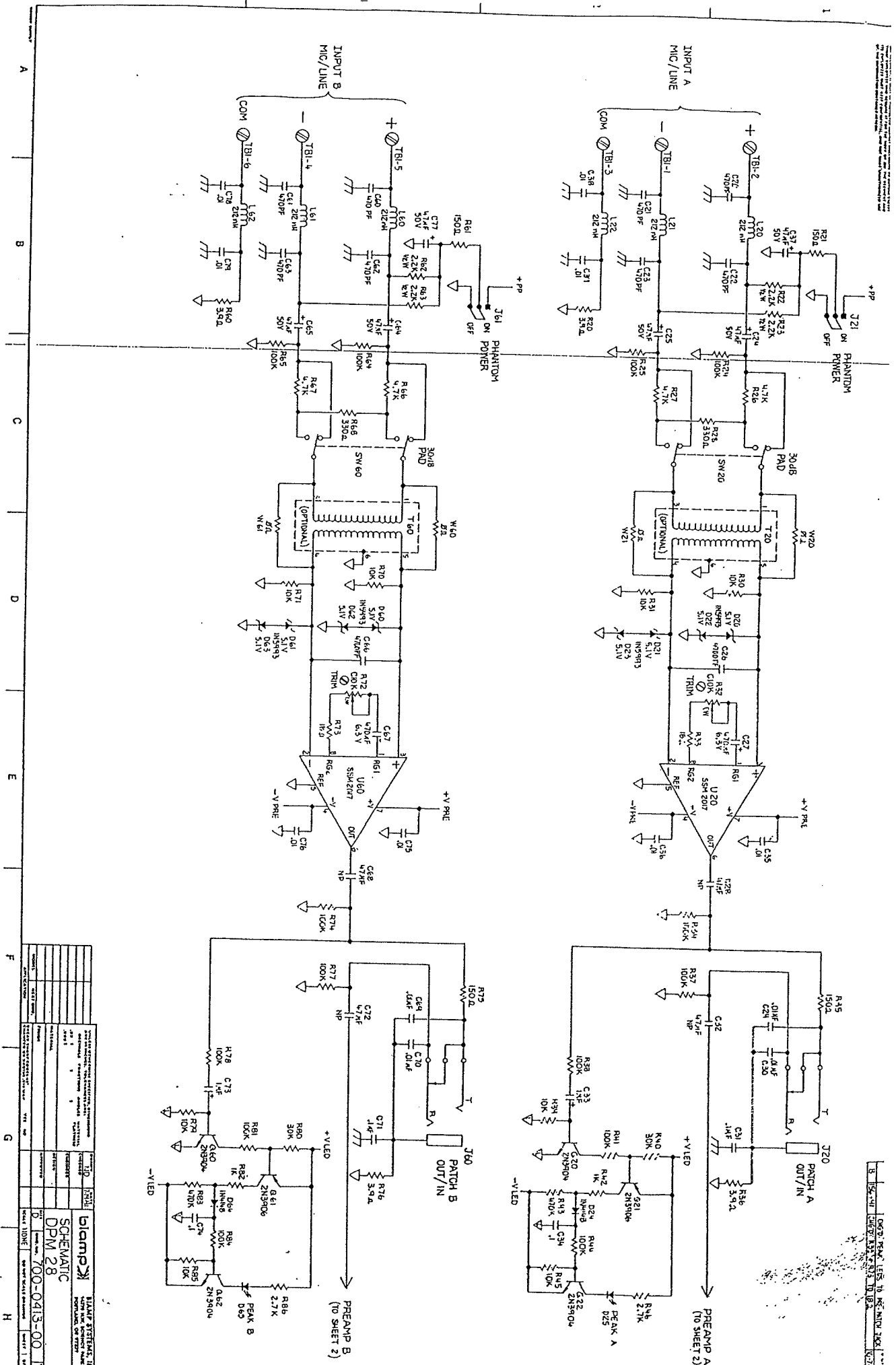
NO.	DESCRIPTION	REV.	DATE
1	SCHEMATIC	1	10/1/78
2	REVISED	2	10/1/78
3	REVISED	3	10/1/78
4	REVISED	4	10/1/78
5	REVISED	5	10/1/78
6	REVISED	6	10/1/78
7	REVISED	7	10/1/78
8	REVISED	8	10/1/78
9	REVISED	9	10/1/78
10	REVISED	10	10/1/78

biamp **BIAMP SYSTEMS, INC.**
 1000 W. 10th St., Suite 100
 Portland, OR 97201
 (503) 241-1000
 FAX: (503) 241-1001

SCHEMATIC
DPW 28
 MODEL 700-0413-00
 SHEET 2 OF 2

THIS DRAWING IS THE PROPERTY OF BIAAMP SYSTEMS, INC. IT IS TO BE KEPT IN CONFIDENTIALITY AND NOT TO BE REPRODUCED OR COPIED IN ANY MANNER WITHOUT THE WRITTEN PERMISSION OF BIAAMP SYSTEMS, INC.

DATE: 10/27/03 REV: 155-14 REV: 10/27/03



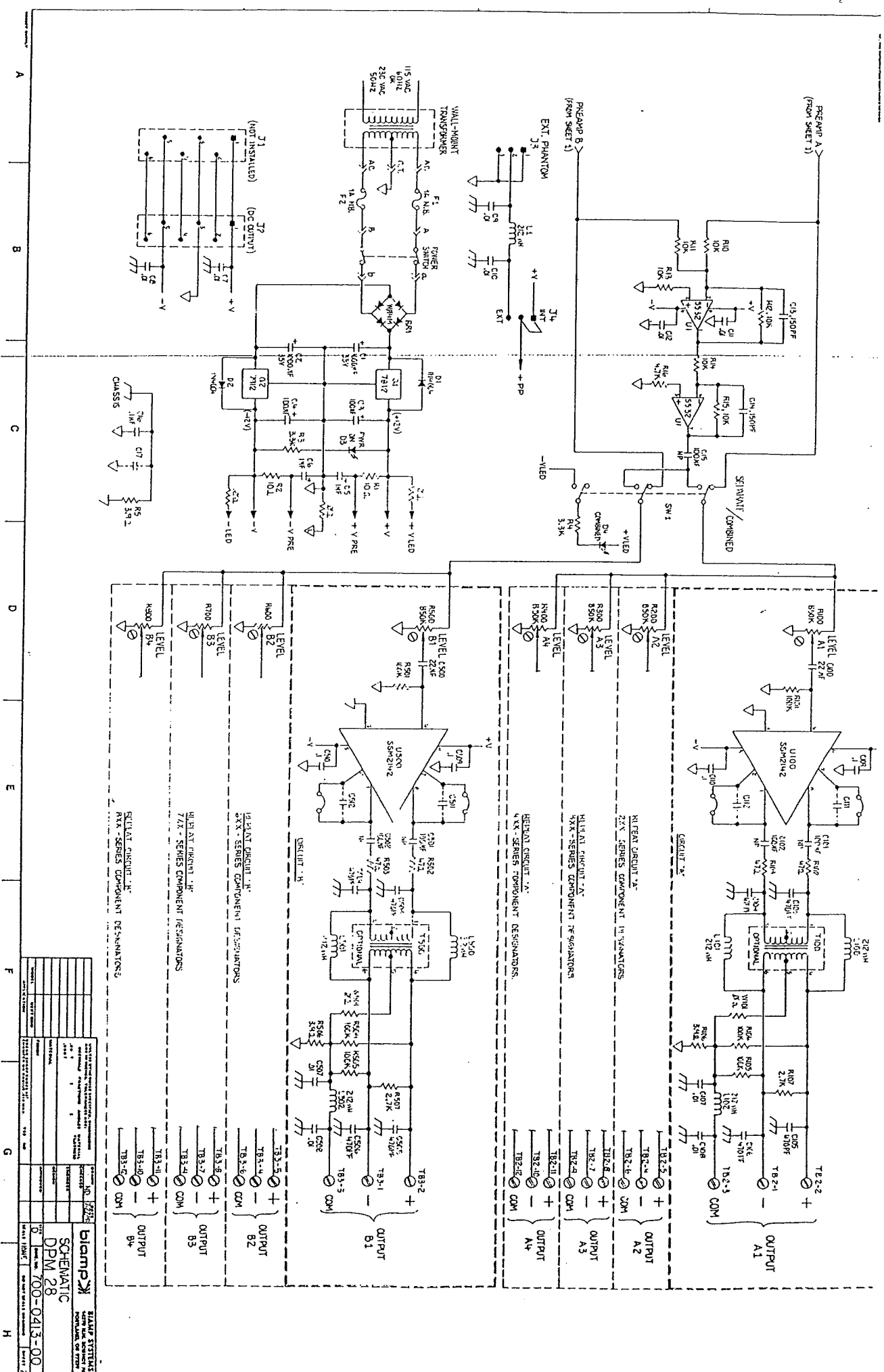
BIAAMP SYSTEMS, INC.	
700-0413-00	
SCHEMATIC	
DPM 28	
REV: 155-14	
DATE: 10/27/03	
DRAWN BY: [Name]	
CHECKED BY: [Name]	
APPROVED BY: [Name]	
SCALE: 1:1	
SHEET 1 OF 2	

DPM/ 28
Schematic

B I A M P[®]

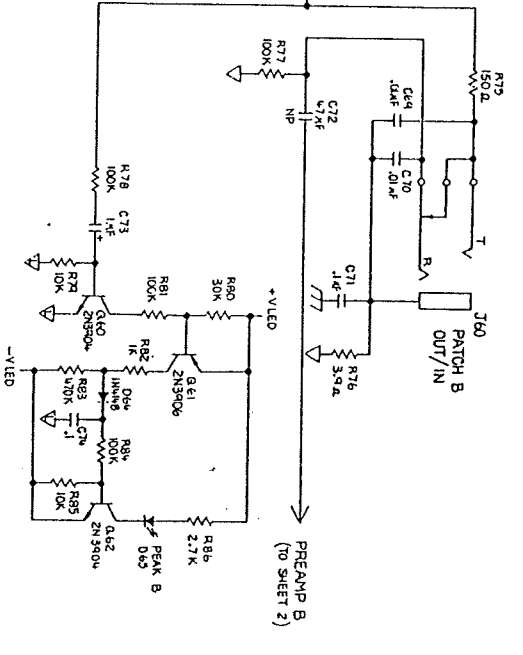
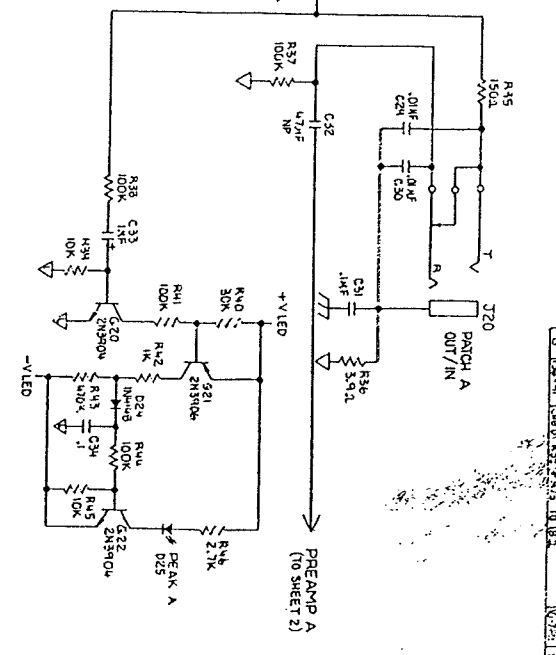
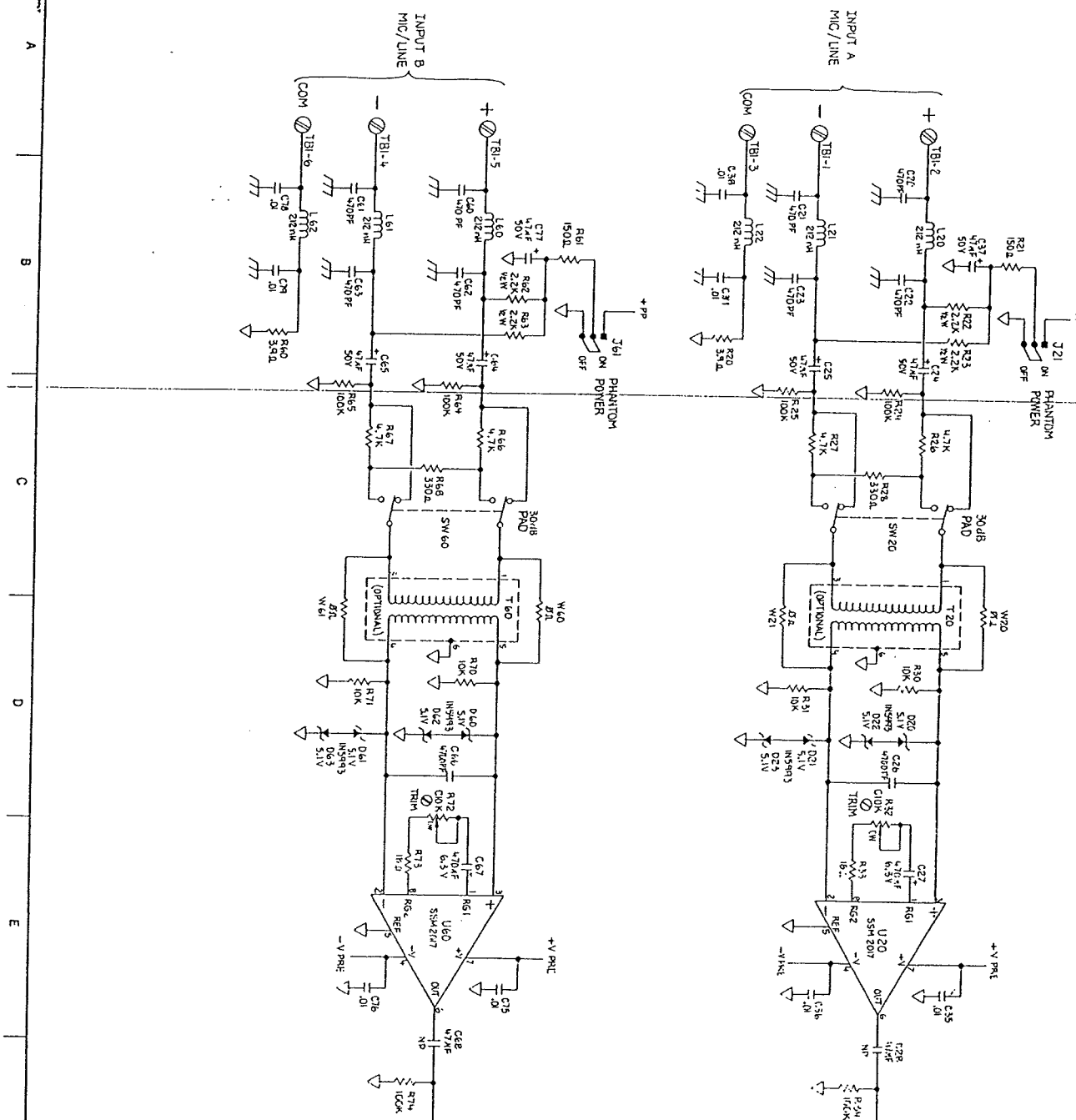
S Y S T E M S

10074 SW Arctic Drive Beaverton, OR 97005 503-641-7287



NO.	DESCRIPTION	QTY	REMARKS
1	RESISTOR	1	
2	RESISTOR	1	
3	RESISTOR	1	
4	RESISTOR	1	
5	RESISTOR	1	
6	RESISTOR	1	
7	RESISTOR	1	
8	RESISTOR	1	
9	RESISTOR	1	
10	RESISTOR	1	
11	RESISTOR	1	
12	RESISTOR	1	
13	RESISTOR	1	
14	RESISTOR	1	
15	RESISTOR	1	
16	RESISTOR	1	
17	RESISTOR	1	
18	RESISTOR	1	
19	RESISTOR	1	
20	RESISTOR	1	
21	RESISTOR	1	
22	RESISTOR	1	
23	RESISTOR	1	
24	RESISTOR	1	
25	RESISTOR	1	
26	RESISTOR	1	
27	RESISTOR	1	
28	RESISTOR	1	
29	RESISTOR	1	
30	RESISTOR	1	
31	RESISTOR	1	
32	RESISTOR	1	
33	RESISTOR	1	
34	RESISTOR	1	
35	RESISTOR	1	
36	RESISTOR	1	
37	RESISTOR	1	
38	RESISTOR	1	
39	RESISTOR	1	
40	RESISTOR	1	
41	RESISTOR	1	
42	RESISTOR	1	
43	RESISTOR	1	
44	RESISTOR	1	
45	RESISTOR	1	
46	RESISTOR	1	
47	RESISTOR	1	
48	RESISTOR	1	
49	RESISTOR	1	
50	RESISTOR	1	
51	RESISTOR	1	
52	RESISTOR	1	
53	RESISTOR	1	
54	RESISTOR	1	
55	RESISTOR	1	
56	RESISTOR	1	
57	RESISTOR	1	
58	RESISTOR	1	
59	RESISTOR	1	
60	RESISTOR	1	
61	RESISTOR	1	
62	RESISTOR	1	
63	RESISTOR	1	
64	RESISTOR	1	
65	RESISTOR	1	
66	RESISTOR	1	
67	RESISTOR	1	
68	RESISTOR	1	
69	RESISTOR	1	
70	RESISTOR	1	
71	RESISTOR	1	
72	RESISTOR	1	
73	RESISTOR	1	
74	RESISTOR	1	
75	RESISTOR	1	
76	RESISTOR	1	
77	RESISTOR	1	
78	RESISTOR	1	
79	RESISTOR	1	
80	RESISTOR	1	
81	RESISTOR	1	
82	RESISTOR	1	
83	RESISTOR	1	
84	RESISTOR	1	
85	RESISTOR	1	
86	RESISTOR	1	
87	RESISTOR	1	
88	RESISTOR	1	
89	RESISTOR	1	
90	RESISTOR	1	
91	RESISTOR	1	
92	RESISTOR	1	
93	RESISTOR	1	
94	RESISTOR	1	
95	RESISTOR	1	
96	RESISTOR	1	
97	RESISTOR	1	
98	RESISTOR	1	
99	RESISTOR	1	
100	RESISTOR	1	
101	RESISTOR	1	
102	RESISTOR	1	
103	RESISTOR	1	
104	RESISTOR	1	
105	RESISTOR	1	
106	RESISTOR	1	
107	RESISTOR	1	
108	RESISTOR	1	
109	RESISTOR	1	
110	RESISTOR	1	
111	RESISTOR	1	
112	RESISTOR	1	
113	RESISTOR	1	
114	RESISTOR	1	
115	RESISTOR	1	
116	RESISTOR	1	
117	RESISTOR	1	
118	RESISTOR	1	
119	RESISTOR	1	
120	RESISTOR	1	
121	RESISTOR	1	
122	RESISTOR	1	
123	RESISTOR	1	
124	RESISTOR	1	
125	RESISTOR	1	
126	RESISTOR	1	
127	RESISTOR	1	
128	RESISTOR	1	
129	RESISTOR	1	
130	RESISTOR	1	
131	RESISTOR	1	
132	RESISTOR	1	
133	RESISTOR	1	
134	RESISTOR	1	
135	RESISTOR	1	
136	RESISTOR	1	
137	RESISTOR	1	
138	RESISTOR	1	
139	RESISTOR	1	
140	RESISTOR	1	
141	RESISTOR	1	
142	RESISTOR	1	
143	RESISTOR	1	
144	RESISTOR	1	
145	RESISTOR	1	
146	RESISTOR	1	
147	RESISTOR	1	
148	RESISTOR	1	
149	RESISTOR	1	
150	RESISTOR	1	
151	RESISTOR	1	
152	RESISTOR	1	
153	RESISTOR	1	
154	RESISTOR	1	
155	RESISTOR	1	
156	RESISTOR	1	
157	RESISTOR	1	
158	RESISTOR	1	
159	RESISTOR	1	
160	RESISTOR	1	
161	RESISTOR	1	
162	RESISTOR	1	
163	RESISTOR	1	
164	RESISTOR	1	
165	RESISTOR	1	
166	RESISTOR	1	
167	RESISTOR	1	
168	RESISTOR	1	
169	RESISTOR	1	
170	RESISTOR	1	
171	RESISTOR	1	
172	RESISTOR	1	
173	RESISTOR	1	
174	RESISTOR	1	
175	RESISTOR	1	
176	RESISTOR	1	
177	RESISTOR	1	
178	RESISTOR	1	
179	RESISTOR	1	
180	RESISTOR	1	
181	RESISTOR	1	
182	RESISTOR	1	
183	RESISTOR	1	
184	RESISTOR	1	
185	RESISTOR	1	
186	RESISTOR	1	
187	RESISTOR	1	
188	RESISTOR	1	
189	RESISTOR	1	
190	RESISTOR	1	
191	RESISTOR	1	
192	RESISTOR	1	
193	RESISTOR	1	
194	RESISTOR	1	
195	RESISTOR	1	
196	RESISTOR	1	
197	RESISTOR	1	
198	RESISTOR	1	
199	RESISTOR	1	
200	RESISTOR	1	

THIS DRAWING IS THE PROPERTY OF BLAMP, INC. IT IS TO BE USED ONLY FOR THE PROJECT AND QUANTITY SPECIFIED IN THE ORDER. IT IS NOT TO BE REPRODUCED OR TRANSMITTED IN ANY FORM OR BY ANY MEANS, ELECTRONIC OR MECHANICAL, INCLUDING PHOTOCOPYING, RECORDING, OR BY ANY INFORMATION STORAGE AND RETRIEVAL SYSTEM. WITHOUT THE WRITTEN PERMISSION OF BLAMP, INC.



REV	DATE	BY	CHKD	DESCRIPTION
1				SCHEMATIC
2				DPW 28

Blamp, Inc. 5144F SYSTEMS, INC.
 100-0413-00
 SCHEMATIC
 DPW 28
 SHEET 1 OF 2

DO NOT PEAK TEST TO NEGATIVE JACK