

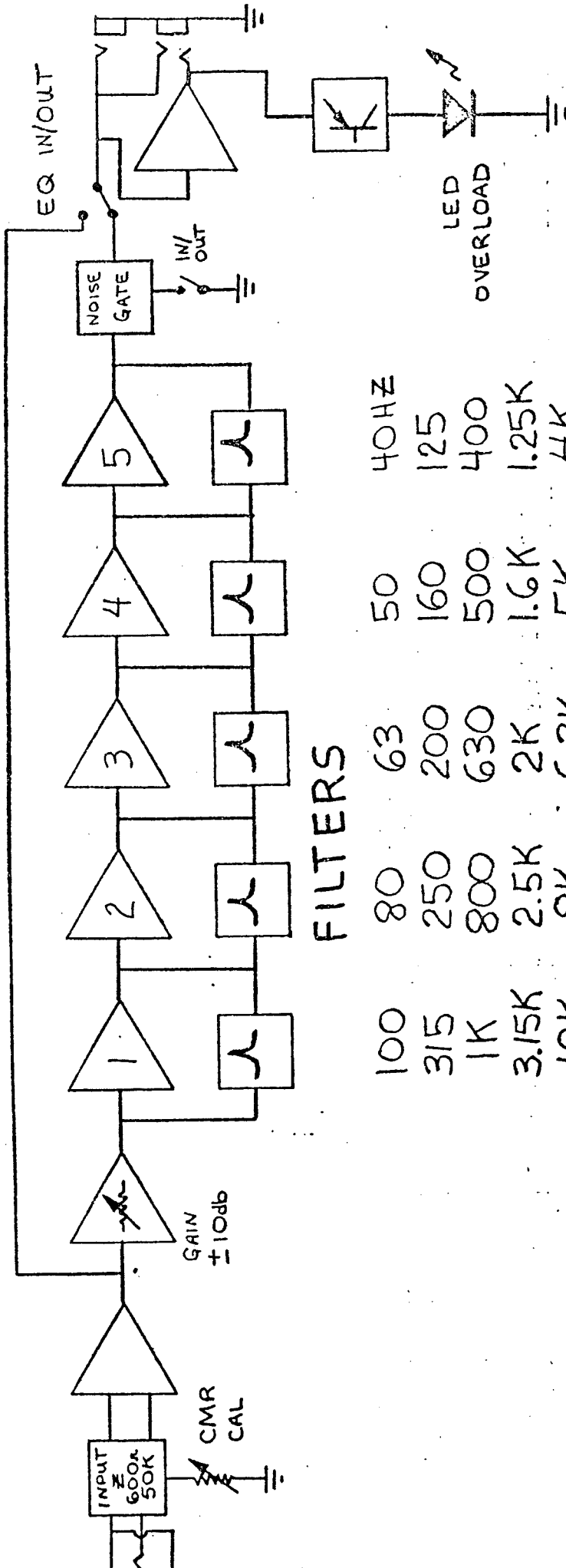
**EQ 270**

# **Schematic Manual**

**B I A M P<sup>®</sup>**  
—  
S Y S T E M S

10074 SW Arctic Drive      Beaverton, OR 97005      503-641-7287

# MIXERS



# FILTERS

100	80	63	50	40HZ
315	250	200	160	125
1K	800	630	500	400
3.15K	2.5K	2K	1.6K	1.25K
10K	8K	6.3K	5K	4K
			16K	12.5K

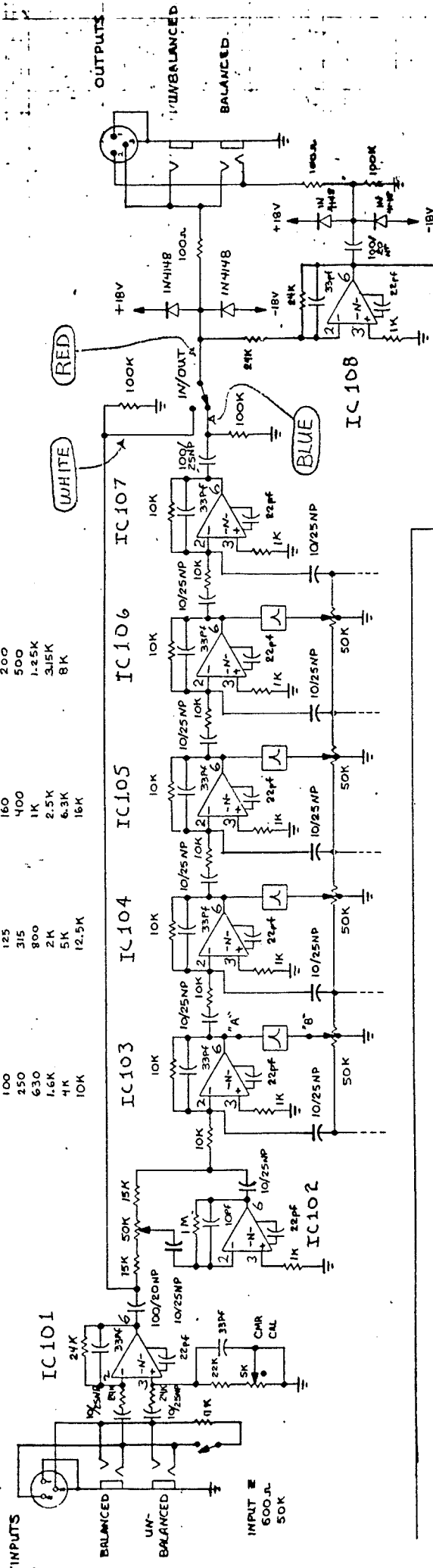
BI-AMP EQ/270A

BLOCK DIAGRAM

H<sup>2</sup>

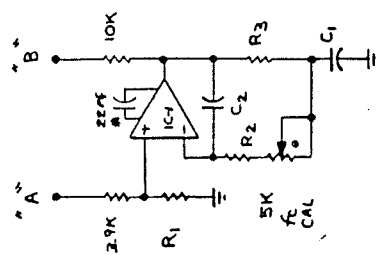
MIXERS

- 1- 40HZ 100 250 630 1.6K 4K 10K
- 2- 50HZ 125 315 800 2.5K 6.3K 12.5K
- 3- 63HZ 160 400 1K 2.5K 6.3K 16K
- 4- 80HZ 200 500 1.25K 3.15K 8K

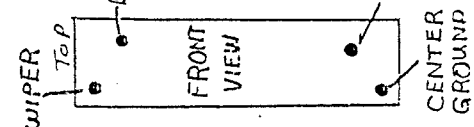
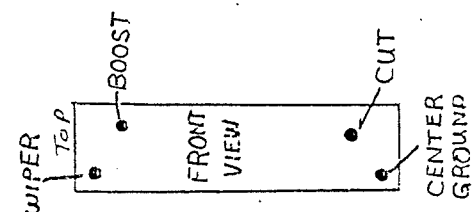


fc	IC-1	C455B	R <sub>1</sub>	R <sub>2</sub>	R <sub>3</sub>	C <sub>1</sub>	C <sub>2</sub>	MIXER
40HZ			390 ± 50 Ω	6.8K Ω	10K Ω	2.2 ± 1 μF	.047 μF ± β	1
50			330 ± 18	8.2K		2.2 ± .47	.033 ± .0033	2
63			270 ± 33	6.8K		.022 ± .0047		3
80			220 ± 39	5.6K		1 ± 1	.022 ± .0015	4
100			270 ± 10	8.2K		1 ± .47	.015 ± .0022	1
125			220 ± 39	6.8K		1 ± .27	.01 ± .0047	2
160			220 ± 27	6.8K		1	.01 ± .0015	3
200			270 ± β	10K		.47 ± .27	.0068 ± 680 pF	4
250			220 ± β	4.7K		.47 ± .27	.0068 ± 680 pF	1
315			220 ± 55	8.2K		.47 ± .27	.0047 ± 680 pF	2
400			180 ± 22	4.7K		.47 ± .27	.0039 ± β	3
500			220 ± β	4.7K		.27	.0022 ± β	4
630			220 ± 10	4.7K		.22	.0022 ± 150 pF	2
800			220 ± 10	6.8K		1 ± .068	.0015 ± 150 pF	3
1K			190 ± 22	6.8K		1 ± .047	.001 ± 270 pF	4
1.6K			150 ± 10	4.7K		1 ± .033	.001 ± β	1
2K			150 ± 22	6.8K		1	.680 pF ± β	2
2.5K			220 ± 10	1K	2.2K	.27	.0015 ± 270 pF	3
3.15K			180 ± 39	1K		.22	.0015 ± β	4
4K			180 ± 10	1K		1 ± .1	.001 ± 150 pF	1
5K			320 ± 27	1K		1 ± .033	.680 pF ± 150 pF	2
6.3K			220 ± 27	1K		1 ± .033	.470 pF ± 82 pF	3
8K			220 ± 27	1K		.082	.470 pF ± 33 pF	4
10K			220 ± 27	1K		.048	.270 pF ± 150 pF	1
12.5K			180 ± β	1K		.068 ± .0022	.270 pF ± 82 pF	2
16K			150 ± 99	1K		.047	.270 pF ± β	3

RESISTORS IN SERIES  
CAPACITORS IN PARALLEL



FILTERS



BIAMP EQ/270A

1-17-77

H2



DRIFT

EQ/270A

12-11-78 H<sup>2</sup>

POWER

