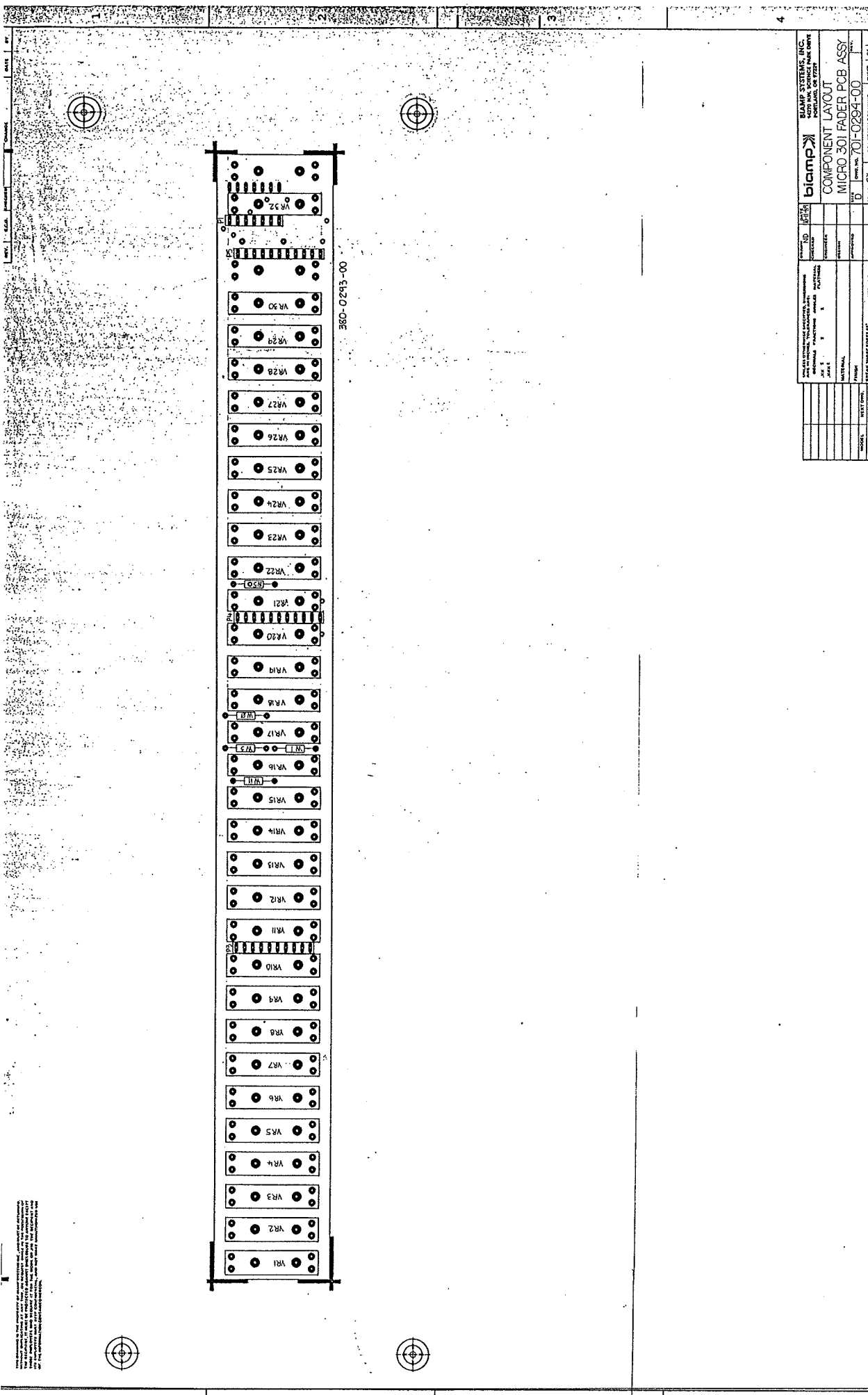


meQ 152 & 301

Schematic

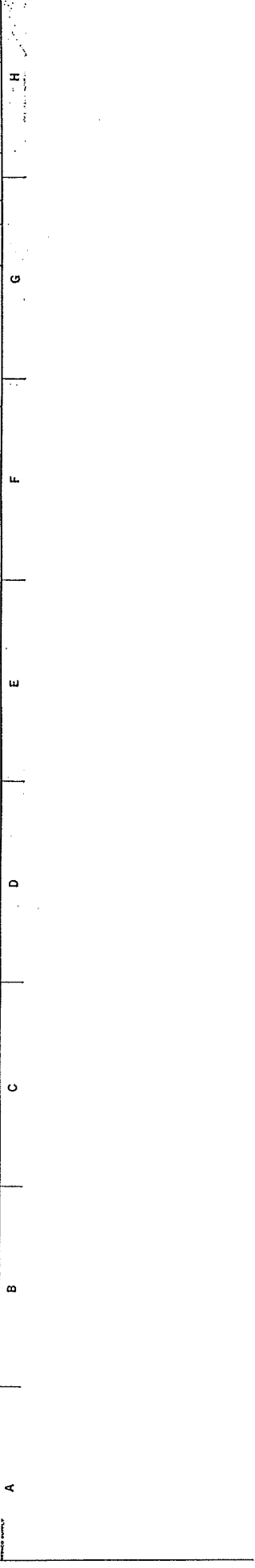
B I A M P[®]

S Y S T E M S

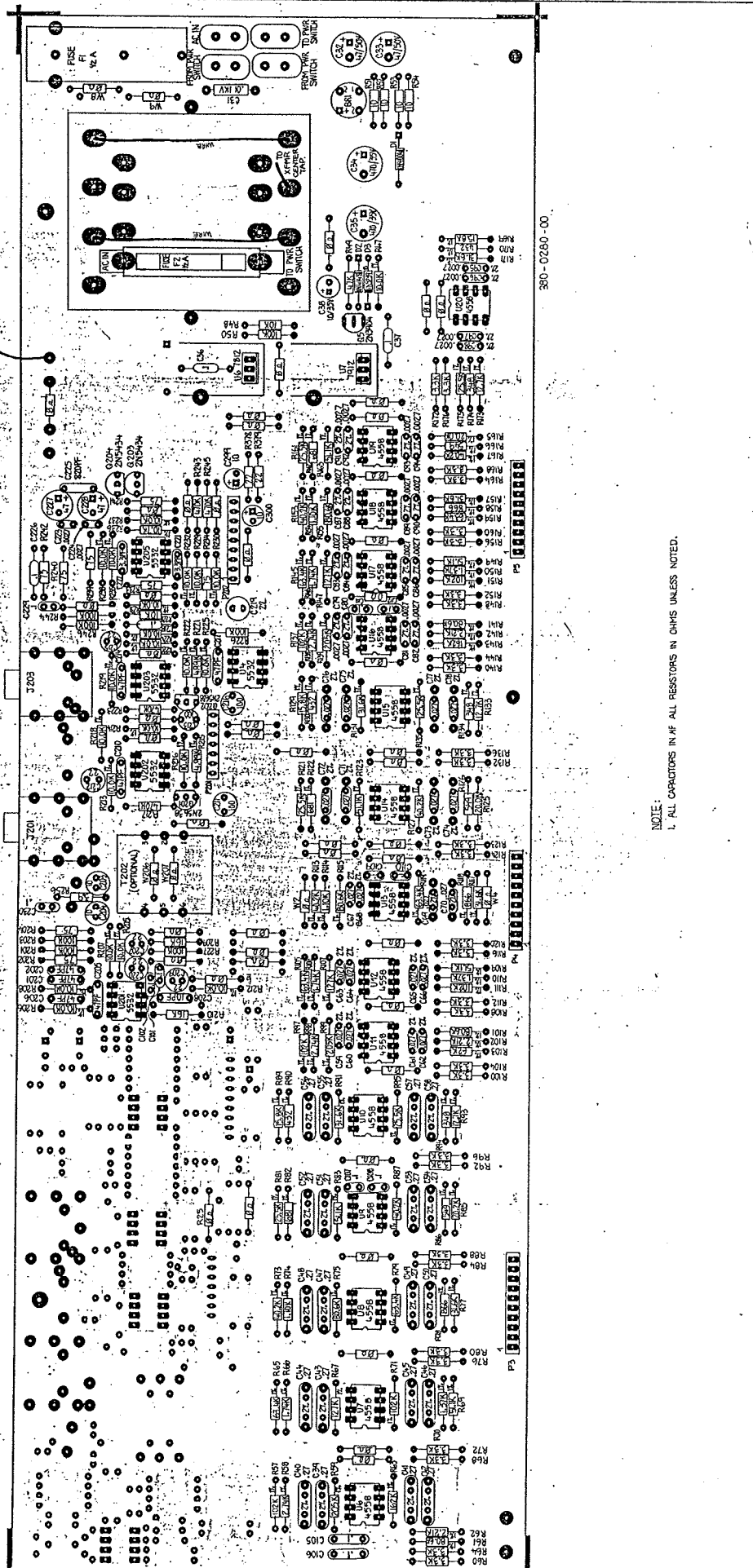


00-6130-038E

| | | | |
|--------------------------|-------------|---|-------------|
| biamp | | BIAMP SYSTEMS, INC. 1000 N.W. SCHMIDT PARK DRIVE PORTLAND, OR 97227 | |
| REV. NO. | DATE | REV. NO. | DATE |
| 001 | 01/15/84 | 001 | 01/15/84 |
| DESIGNED BY | CHECKED BY | DESIGNED BY | CHECKED BY |
| W. J. JONES | J. J. JONES | W. J. JONES | J. J. JONES |
| DATE | DATE | DATE | DATE |
| 01/15/84 | 01/15/84 | 01/15/84 | 01/15/84 |
| TITLE | | SHEET NO. OF TOTAL SHEETS | |
| MICRO 301 FADER PCB ASSY | | SHEET 1 OF 1 | |
| PROJECT NO. | | PROJECT NO. | |
| 701-0294-00 | | 701-0294-00 | |
| SCALE | | SCALE | |
| 2X | | 2X | |



THIS DRAWING IS THE PROPERTY OF BIAMP SYSTEMS, INC. AND IS NOT TO BE REPRODUCED OR TRANSMITTED IN ANY FORM OR BY ANY MEANS, ELECTRONIC OR MECHANICAL, INCLUDING PHOTOCOPYING, RECORDING, OR BY ANY INFORMATION STORAGE AND RETRIEVAL SYSTEM. THE USER OF THIS DRAWING AGREES TO HOLD BIAMP SYSTEMS, INC. HARMLESS FROM AND AGAINST ALL SUCH REPRODUCTION OR TRANSMISSION. THE USER OF THIS DRAWING AGREES TO HOLD BIAMP SYSTEMS, INC. HARMLESS FROM AND AGAINST ALL SUCH REPRODUCTION OR TRANSMISSION.

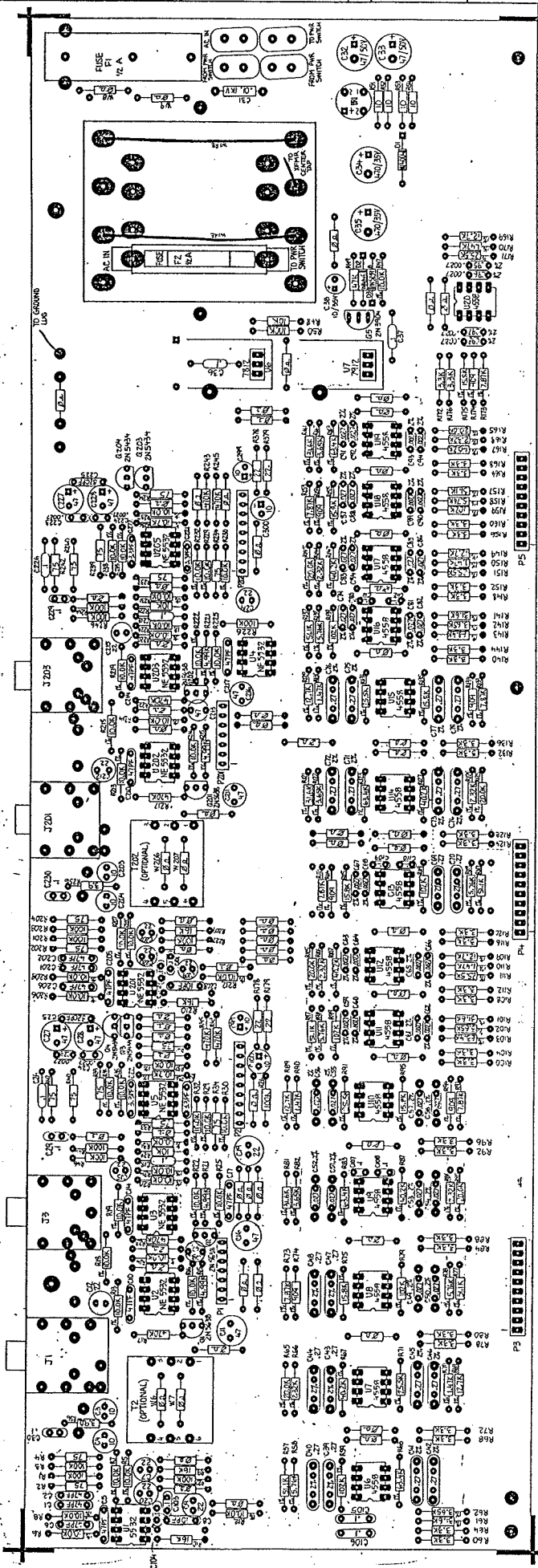


380-0280-00

NOTE:
1. ALL CAPACITORS IN KF ALL RESISTORS IN OHMS UNLESS NOTED.

| | | | |
|--------------------------------|------|-------------------------|------|
| BIAMP SYSTEMS, INC. | | DATE: 11/81 | |
| 1000 W. 10TH AVENUE, SUITE 100 | | DRAWING NO: 701-0282-00 | |
| PORTLAND, OR 97207 | | REV. 15 | |
| DESIGNED BY | DATE | APPROVED BY | DATE |
| DRAWN BY | | CHECKED BY | |
| MANUFACTURED BY | | TESTED BY | |
| QUANTITY | | SCALE | |
| ISSUE NO. | | BY | |
| REV. 15 | | DATE | |

A B C D E F G H

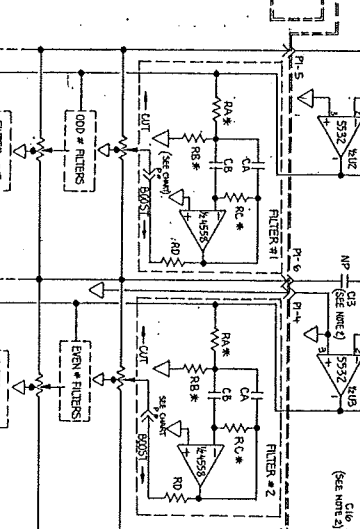
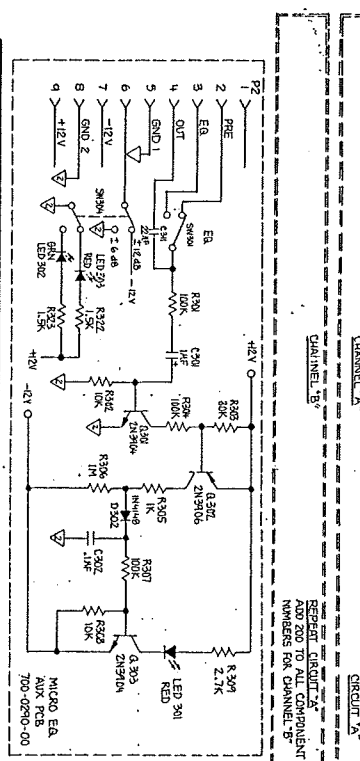
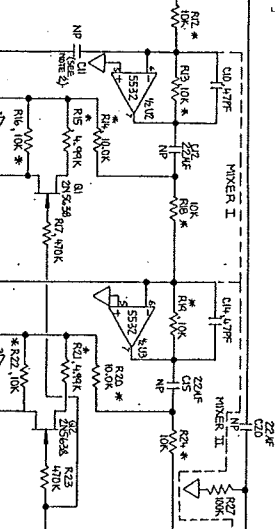
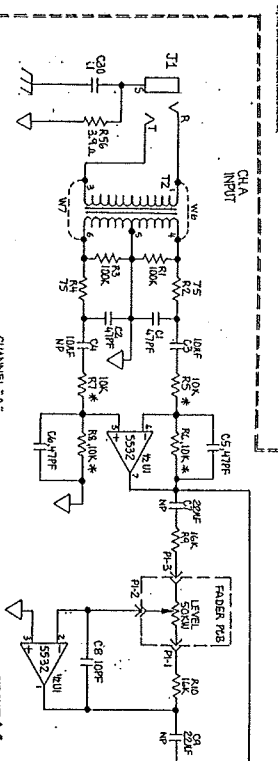


380-0280-00

| | |
|--|------|
| BIAMP SYSTEMS, INC. 4001 W. 10TH AVENUE DENVER, CO 80202 | |
| DATE | REV. |
| 10/78 | 1.00 |
| MICRO EQ 152 MAIN PCB ASSY | |
| BIAMP SYSTEMS, INC. | |
| 4001 W. 10TH AVENUE | |
| DENVER, CO 80202 | |
| PAGE 2X OF 2X | |

A B C D E F G H

BIAMP SYSTEMS, INC. 4001 W. 10TH AVENUE DENVER, CO 80202



| FIG. 1 | FIG. 2 | FIG. 3 | FIG. 4 | FIG. 5 | FIG. 6 |
|--------|--------|--------|--------|--------|--------|
| 1 | 1 | 1 | 1 | 1 | 1 |
| 2 | 2 | 2 | 2 | 2 | 2 |
| 3 | 3 | 3 | 3 | 3 | 3 |
| 4 | 4 | 4 | 4 | 4 | 4 |
| 5 | 5 | 5 | 5 | 5 | 5 |
| 6 | 6 | 6 | 6 | 6 | 6 |
| 7 | 7 | 7 | 7 | 7 | 7 |
| 8 | 8 | 8 | 8 | 8 | 8 |
| 9 | 9 | 9 | 9 | 9 | 9 |
| 10 | 10 | 10 | 10 | 10 | 10 |
| 11 | 11 | 11 | 11 | 11 | 11 |
| 12 | 12 | 12 | 12 | 12 | 12 |
| 13 | 13 | 13 | 13 | 13 | 13 |
| 14 | 14 | 14 | 14 | 14 | 14 |
| 15 | 15 | 15 | 15 | 15 | 15 |
| 16 | 16 | 16 | 16 | 16 | 16 |
| 17 | 17 | 17 | 17 | 17 | 17 |
| 18 | 18 | 18 | 18 | 18 | 18 |
| 19 | 19 | 19 | 19 | 19 | 19 |
| 20 | 20 | 20 | 20 | 20 | 20 |
| 21 | 21 | 21 | 21 | 21 | 21 |
| 22 | 22 | 22 | 22 | 22 | 22 |
| 23 | 23 | 23 | 23 | 23 | 23 |
| 24 | 24 | 24 | 24 | 24 | 24 |
| 25 | 25 | 25 | 25 | 25 | 25 |
| 26 | 26 | 26 | 26 | 26 | 26 |
| 27 | 27 | 27 | 27 | 27 | 27 |
| 28 | 28 | 28 | 28 | 28 | 28 |
| 29 | 29 | 29 | 29 | 29 | 29 |
| 30 | 30 | 30 | 30 | 30 | 30 |

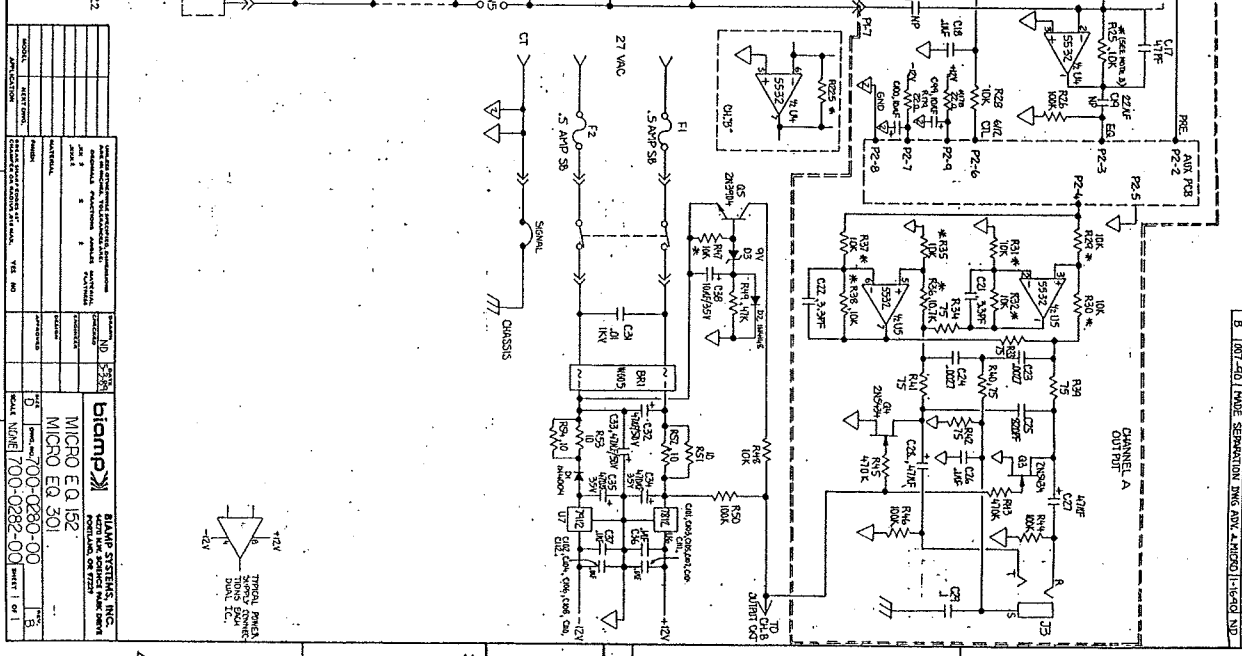
SOURCE: 30-0-30VDC (EA 301)
 CIRCUIT: 700-0280-00
 SERIAL: JIMBERS N-193

DUAL 15-0-15VDC (EA 152)
 USE: CHA & CHB INPUT & OUTPUT CIRCUITS.
 LEAVE: N-193 OPEN.

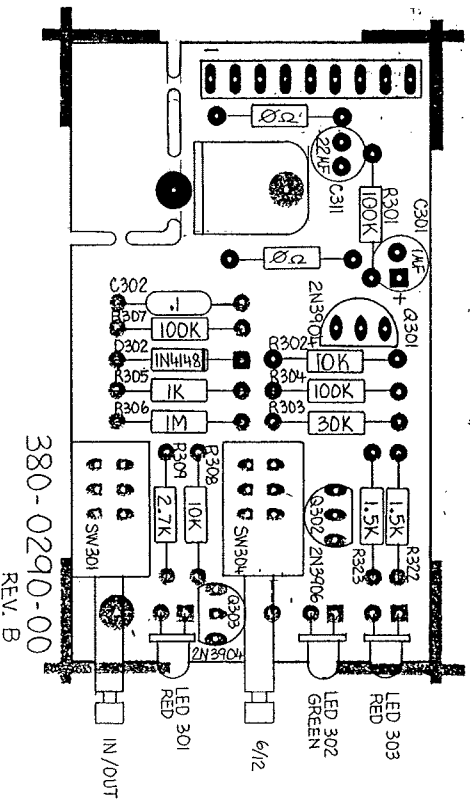
NOTES:
 1. RESISTORS WITH AN ASTERISK (*) ARE 1%.
 2. C1, C2 ARE 47µF (EA 152).
 3. R225 (R227-R230, R232-R233) = 100KΩ (EA 152).
 R225 = 10KΩ; R227 = 51K.

LIST:
 R 56, R19, R322
 C 56, C12, C311
 U 7, U302
 D 4, D302
 D 4, D302

3. AMPLIFIERS W/193 & W5 ARE ON THE PAPER PCB.



THIS DRAWING IS THE PROPERTY OF BIAMP SYSTEMS, AND MUST BE RETURNED, WITHOUT DUPLICATING AT ANY TIME, ON REQUEST, WHILE IN THE POSSESSION OF THE RECIPIENT. IT MUST BE PROTECTED AGAINST DISCLOSURE TO ANYONE EXCEPT THE EMPLOYEES WHO REQUIRE IT FOR THE WORK ON JOB. THE RECIPIENT AND THESE EMPLOYEES SHALL BE CONSIDERED CONFIDENTIAL, AND NOT MAKE UNAUTHORIZED USE OF THE INFORMATION CONTAINED HEREON.



| REV. | E.C.O. | CHANGE | DATE | BY |
|------|--------|--------------------------|----------|----|
| A | NONE | 360-0290-00 REV. A. FILM | 12-15-89 | ND |
| B | 263-89 | 380-0290-00 REV. B. FILM | 12-19-89 | ND |
| C | 007-90 | CHG'D R320 8.2K TO 10K | 1-18-90 | ND |

| ITEM | PART NO | DATE | DESCRIPTION | QTY |
|------|---------|---------|-----------------------|-----|
| | ND | 9/15/89 | COMPONENT LAYOUT | |
| | | | B I A M P SYSTEMS | |
| | | | MICRO EQ-AUX PCB ASSY | |

| UNLESS OTHERWISE SPECIFIED, DIMENSIONS ARE IN INCHES. TOLERANCES ARE: | CHECKED | DATE |
|---|---------|------|
| DECIMALS FRACTIONS ANGLES MATERIAL FLATNESS | | |
| .XX | | |
| .XXX | | |

| FINISH | DESIGN | APPROVED |
|-----------------------------|--------|----------|
| BREAK SHARP EDGES 45° | | |
| CHAMFER OR RADIUS .010 MAX. | | |

| MODEL | FINISH | SIZE | SCALE | DO NOT SCALE DRAWING | SHEET | OF |
|-------------|--------|-------------|-------|----------------------|-------|----|
| NEXT DWG. | | B | 2X | | 1 | 1 |
| APPLICATION | | DWG. NO. | | | | |
| | | 701-0290-00 | | | | |

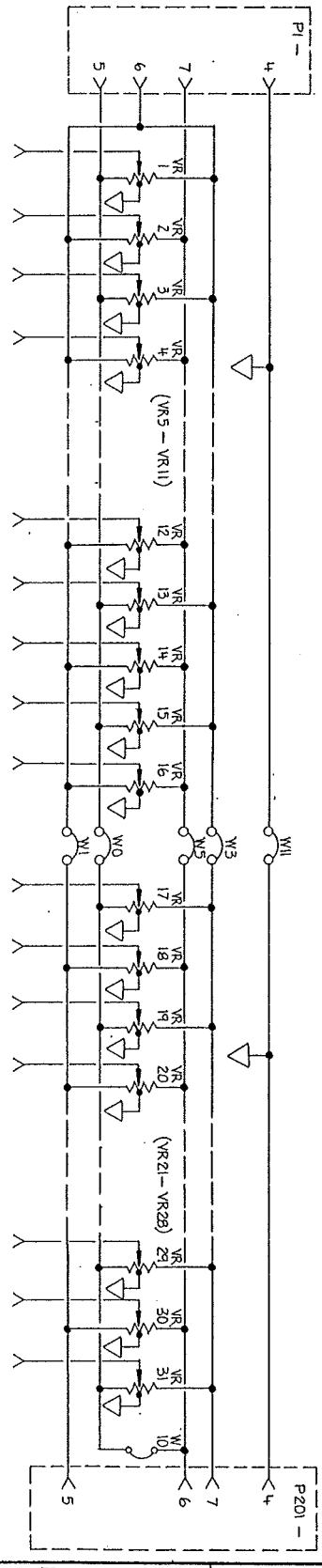
BIAMP SUPPLY A

B C

D

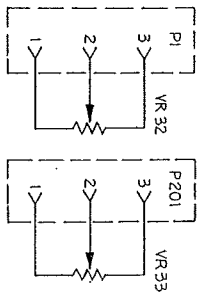
1

THIS DRAWING IS THE PROPERTY OF BIAMP SYSTEMS, INC. AND SHALL BE RETURNED TO THE COMPANY AT THE END OF THE PROJECT. IT IS NOT TO BE REPRODUCED OR TRANSMITTED IN ANY FORM OR BY ANY MEANS, ELECTRONIC OR MECHANICAL, INCLUDING PHOTOCOPYING, RECORDING, OR BY ANY INFORMATION STORAGE AND RETRIEVAL SYSTEM, WITHOUT THE WRITTEN PERMISSION OF BIAMP SYSTEMS, INC.



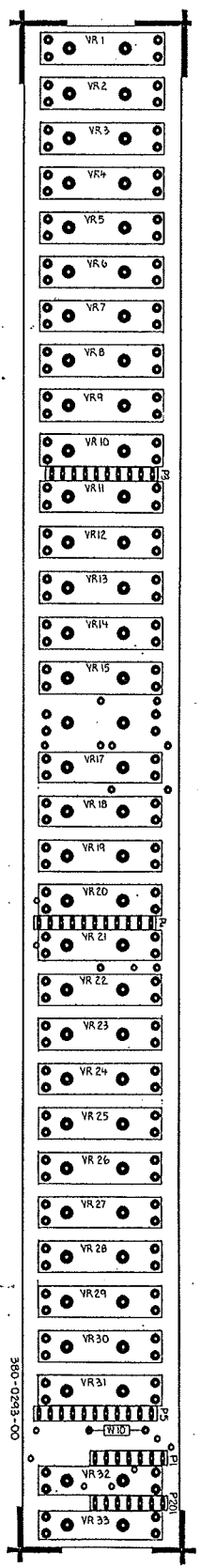
| EQ 152 | | | EQ 301 | | |
|--------|----------|----------|---------|----------|--|
| VR # | FILTER # | WIPER P# | FILTER# | WIPER P# | |
| 1 | 1A | P3-1 | 1 | P3-1 | |
| 2 | 2A | P3-2 | 2 | P3-2 | |
| 3 | 3A | P3-3 | 3 | P3-3 | |
| 4 | 4A | P3-4 | 4 | P3-4 | |
| 5 | 5A | P3-5 | 5 | P3-5 | |
| 6 | 6A | P3-6 | 6 | P3-6 | |
| 7 | 7A | P3-7 | 7 | P3-7 | |
| 8 | 8A | P3-8 | 8 | P3-8 | |
| 9 | 9A | P3-9 | 9 | P3-9 | |
| 10 | 10A | P3-10 | 10 | P3-10 | |
| 11 | 11A | P4-1 | 11 | P4-1 | |
| 12 | 12A | P4-2 | 12 | P4-2 | |
| 13 | 13A | P4-3 | 13 | P4-3 | |
| 14 | 14A | P4-4 | 14 | P4-4 | |
| 15 | 15A | P4-5 | 15 | P4-5 | |
| 16 | 16A | P4-6 | 16 | P4-6 | |
| 17 | 17A | P4-7 | 17 | P4-7 | |
| 18 | 18A | P4-8 | 18 | P4-8 | |
| 19 | 19A | P4-9 | 19 | P4-9 | |
| 20 | 20A | P4-10 | 20 | P4-10 | |
| 21 | 21A | P5-1 | 21 | P5-1 | |
| 22 | 22A | P5-2 | 22 | P5-2 | |
| 23 | 23A | P5-3 | 23 | P5-3 | |
| 24 | 24A | P5-4 | 24 | P5-4 | |
| 25 | 25A | P5-5 | 25 | P5-5 | |
| 26 | 26A | P5-6 | 26 | P5-6 | |
| 27 | 27A | P5-7 | 27 | P5-7 | |
| 28 | 28A | P5-8 | 28 | P5-8 | |
| 29 | 29A | P5-9 | 29 | P5-9 | |
| 30 | 30A | P5-10 | 30 | P5-10 | |
| 31 | 31A | P5-11 | | | |
| 32 | 32A | P5-12 | | | |
| 33 | 33A | P5-13 | | | |

NOTES:
 EQ 301: USE P1, INSTALL W0, W1, W3, W5, W11.
 EQ 152: USE P1 FOR CH. A, P201 FOR CH. B; INSTALL W10 ONLY.



| ITEM | PART NO. | DESCRIPTION | SIZE | QTY. |
|------|----------|----------------------|------|------|
| 1 | 029600 | BIAMP SYSTEMS | | |
| 2 | 029601 | SCHEMATIC | | |
| 3 | 029602 | MICRO EQ FADER BOARD | | |
| 4 | 029603 | THRU 029600 | | |

THIS DRAWING IS THE PROPERTY OF BIAMP CORPORATION. IT IS TO BE USED ONLY FOR THE PROJECT AND QUANTITY SPECIFIED HEREON. IT IS NOT TO BE REPRODUCED, COPIED, OR TRANSMITTED IN ANY FORM OR BY ANY MEANS, ELECTRONIC OR MECHANICAL, INCLUDING PHOTOCOPYING, RECORDING, OR BY ANY INFORMATION STORAGE AND RETRIEVAL SYSTEM, WITHOUT THE WRITTEN PERMISSION OF BIAMP CORPORATION.



| | | | |
|---|---|---|---|
| BIAMP CORPORATION 1000 W. 10TH AVENUE DENVER, CO 80202 | | BIAMP CORPORATION 1000 W. 10TH AVENUE DENVER, CO 80202 | |
| DATE: 10/1/00 DRAWN BY: J. J. JONES CHECKED BY: J. J. JONES APPROVED BY: J. J. JONES | PART NO: 380-0293-00 REV: 0 QTY: 1000 | PROJECT NO: 101-0293-00 REV: 0 QTY: 1000 | PART NO: 380-0293-00 REV: 0 QTY: 1000 |
| BIAMP CORPORATION 1000 W. 10TH AVENUE DENVER, CO 80202 | | | |
| COMPONENT LAYOUT MICRO 192 FADER PCB ASSY | | | |
| DATE: 10/1/00 DRAWN BY: J. J. JONES CHECKED BY: J. J. JONES APPROVED BY: J. J. JONES | | | |

