

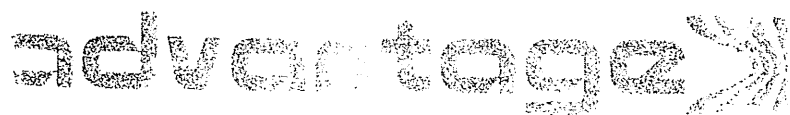


Biamp Systems  
14270 N.W. Science Park Drive  
Portland, Oregon 97229

Tel: 503.641.7287  
Telex: 4932491 BIAMPUI  
Fax: 503.626.0281

MIXPAK ALL MODELS

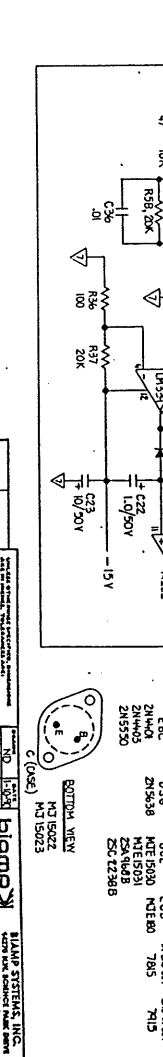
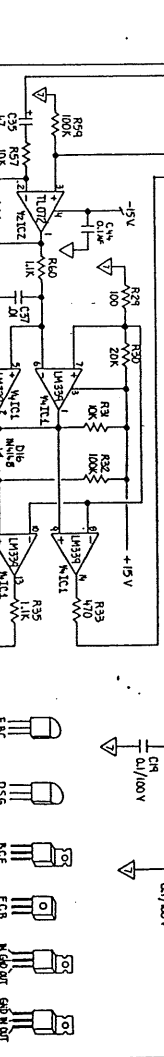
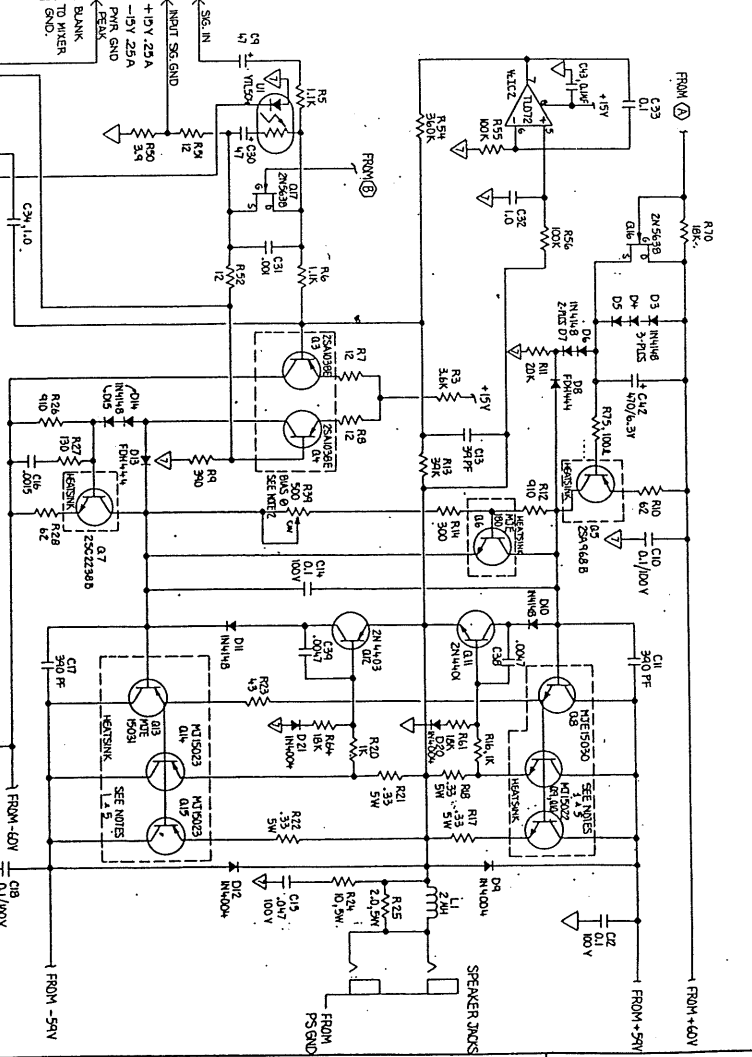
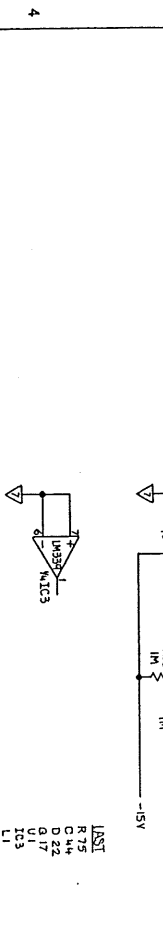
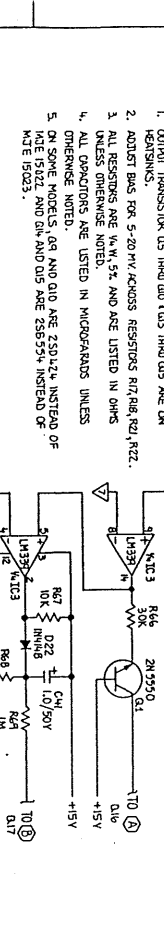
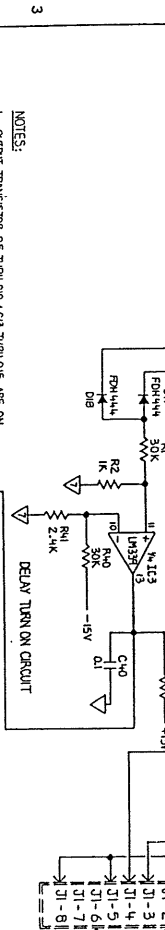
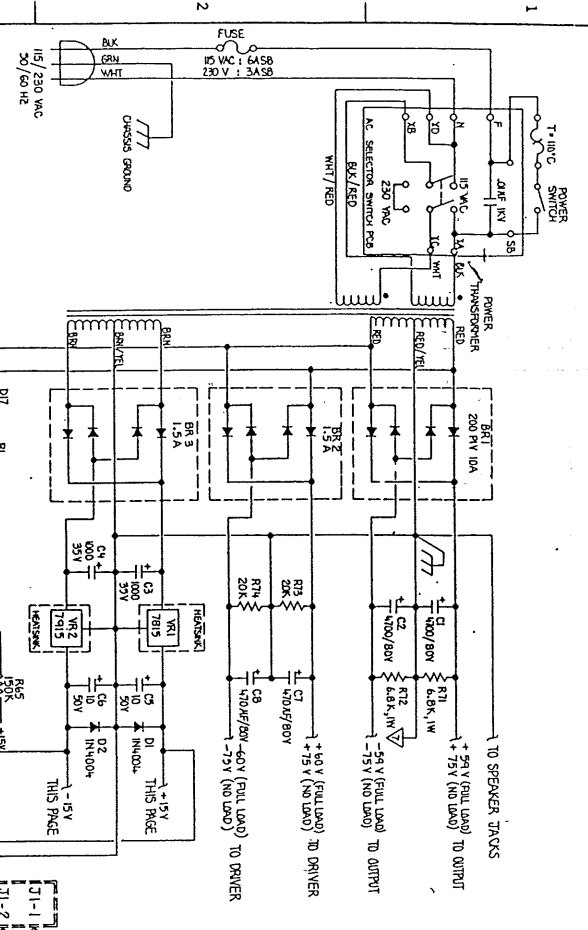
SCHEMATIC







1. THE POWER SUPPLY IS A FULL BRIDGE RECTIFIER WITH A 1000 μF 50V ELECTROLYTIC CAPACITOR IN THE POSITIVE RAIL AND A 1000 μF 50V ELECTROLYTIC CAPACITOR IN THE NEGATIVE RAIL. THE POWER SUPPLY IS A FULL BRIDGE RECTIFIER WITH A 1000 μF 50V ELECTROLYTIC CAPACITOR IN THE POSITIVE RAIL AND A 1000 μF 50V ELECTROLYTIC CAPACITOR IN THE NEGATIVE RAIL.



- NOTES:**
1. OUTPUT TRANSISTOR Q3 THRU Q10 & Q13 THRU Q15 ARE ON RESISTORS.
  2. ADJUST BIAS FOR 5-20 μV ACROSS RESISTORS R17, R8, R9, R12.
  3. ALL RESISTORS ARE 1/4 W, 5% AND ARE LISTED IN OHMS UNLESS OTHERWISE NOTED.
  4. ALL DIMENSIONS ARE LISTED IN MICRONS UNLESS OTHERWISE NOTED.
  5. ON SOME MODELS, Q8 AND Q10 ARE 2N1950 INSTEAD OF MTE 15023.

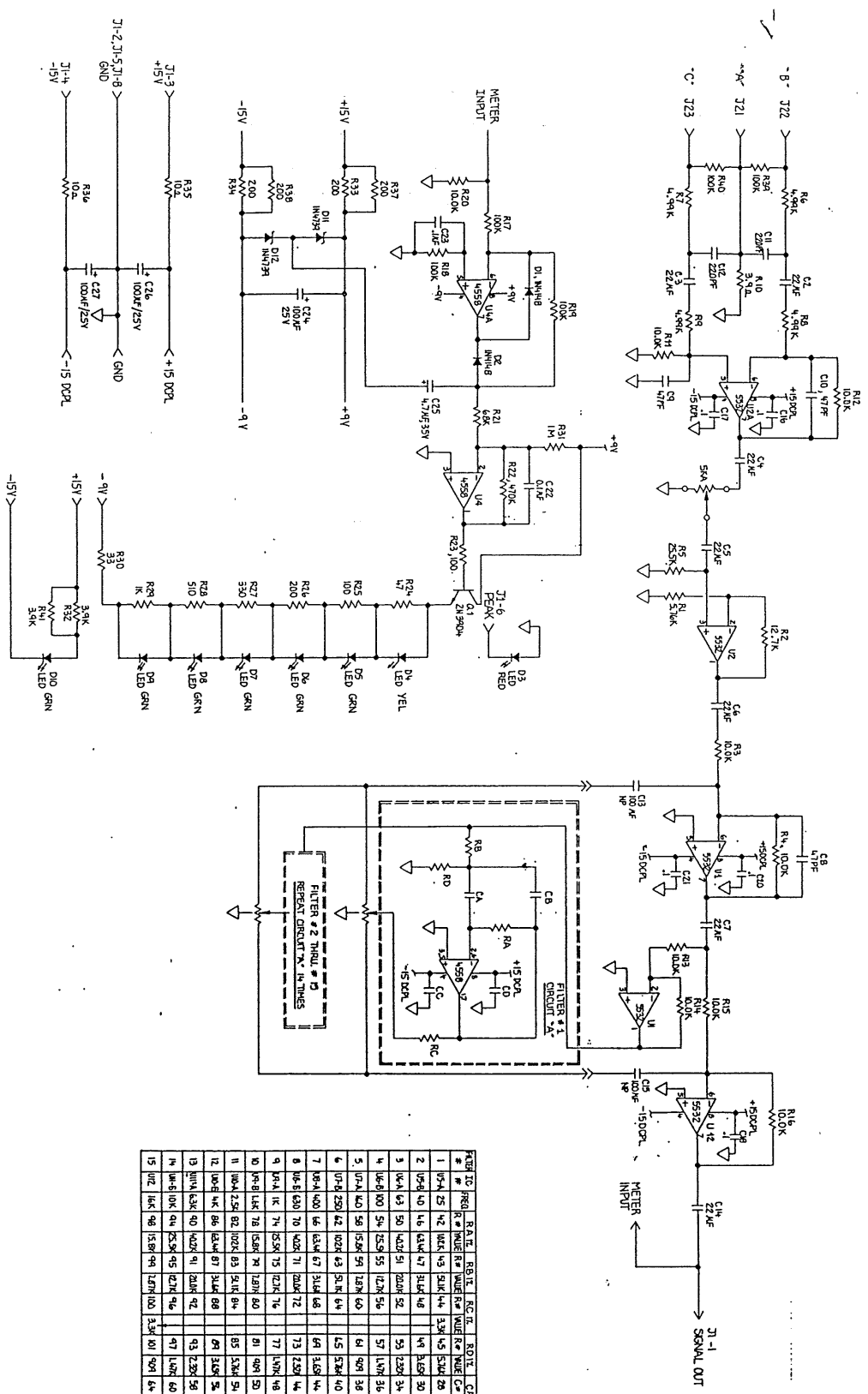
Q1	Q2	Q3	Q4	Q5	Q6	Q7	Q8	Q9	Q10	Q11	Q12	Q13	Q14	Q15
2N1950	2N1950	2N1950	2N1950	2N1950	2N1950	2N1950	2N1950	2N1950	2N1950	2N1950	2N1950	2N1950	2N1950	2N1950
R1	R2	R3	R4	R5	R6	R7	R8	R9	R10	R11	R12	R13	R14	R15
10K	10K	10K	10K	10K	10K	10K	10K	10K	10K	10K	10K	10K	10K	10K
C1	C2	C3	C4	C5	C6	C7	C8	C9	C10	C11	C12	C13	C14	C15
1000 μF	1000 μF	1000 μF	1000 μF	1000 μF	1000 μF	1000 μF	1000 μF	1000 μF	1000 μF	1000 μF	1000 μF	1000 μF	1000 μF	1000 μF

**BIAMP 300 POWER PCB SCHEMATIC**

BIAMP SYSTEMS, INC.  
1000 W. 10TH AVE.  
DENVER, CO 80202

700-0300-00

THIS SCHEMATIC IS THE PROPERTY OF Blampack Engineering, Inc. and is loaned to you for your personal use only. It is not to be reproduced, stored in a retrieval system, or transmitted in any form or by any means, electronic, mechanical, photocopying, recording, or by any information storage and retrieval system, without the prior written permission of Blampack Engineering, Inc.

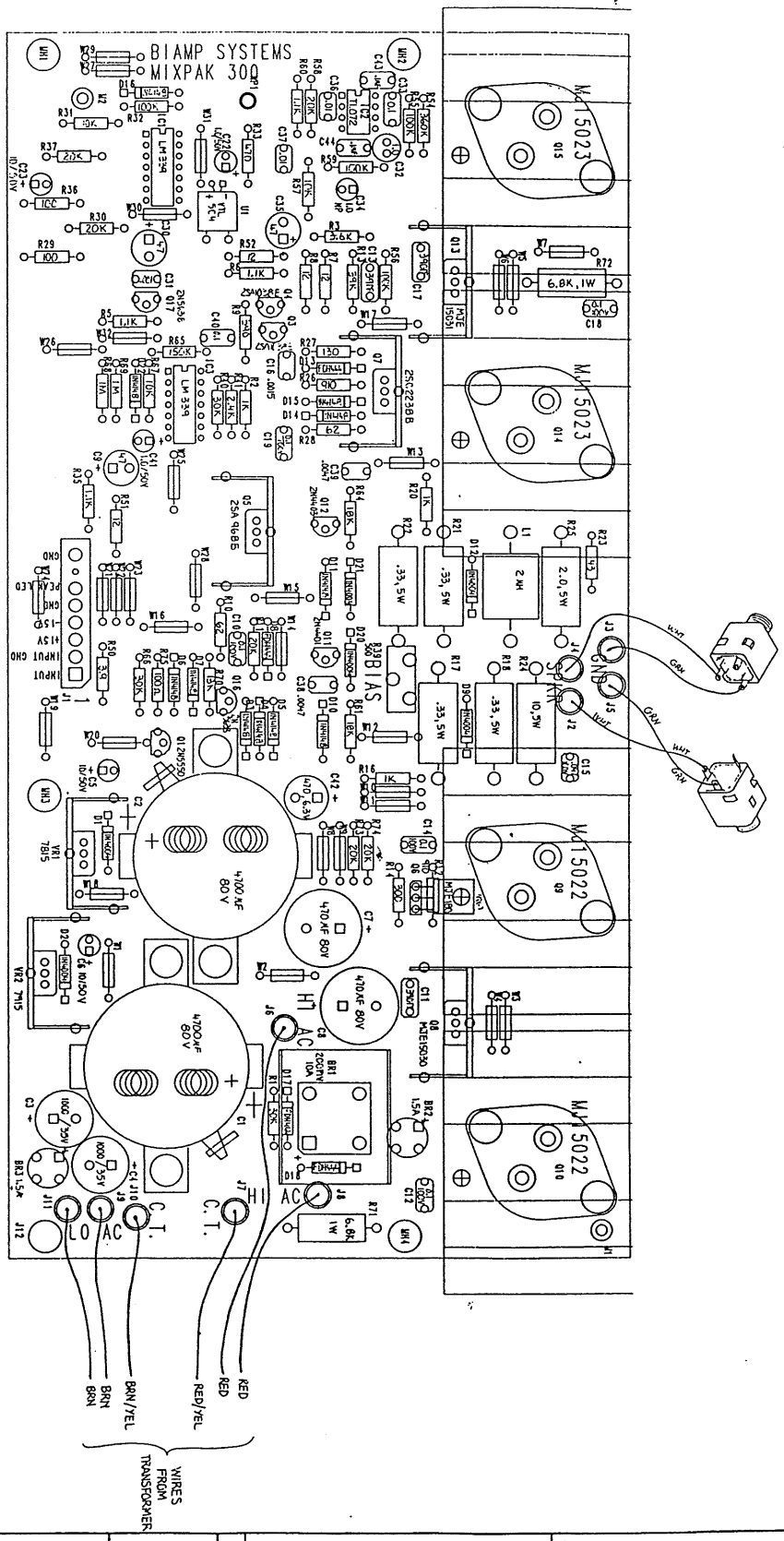


PN#	IC	PN#	R	RATE	EB	IT	RC	IT	RO	IT	CA	C	CB	CC	CD
#	1	2	3	4	5	6	7	8	9	10	11	12	13	14	15
105A	105A	105A	105A	105A	105A	105A	105A	105A	105A	105A	105A	105A	105A	105A	105A
105A	105A	105A	105A	105A	105A	105A	105A	105A	105A	105A	105A	105A	105A	105A	105A
105A	105A	105A	105A	105A	105A	105A	105A	105A	105A	105A	105A	105A	105A	105A	105A
105A	105A	105A	105A	105A	105A	105A	105A	105A	105A	105A	105A	105A	105A	105A	105A
105A	105A	105A	105A	105A	105A	105A	105A	105A	105A	105A	105A	105A	105A	105A	105A
105A	105A	105A	105A	105A	105A	105A	105A	105A	105A	105A	105A	105A	105A	105A	105A
105A	105A	105A	105A	105A	105A	105A	105A	105A	105A	105A	105A	105A	105A	105A	105A
105A	105A	105A	105A	105A	105A	105A	105A	105A	105A	105A	105A	105A	105A	105A	105A
105A	105A	105A	105A	105A	105A	105A	105A	105A	105A	105A	105A	105A	105A	105A	105A

Blampack Engineering, Inc.  
 11115 S. RAYBLAND AVE.  
 TUCUMCUM, ARIZONA 85710  
 (602) 865-2500  
 FAX: (602) 865-2501  
 WWW: WWW.BLAMPACK.COM

THIS DRAWING IS THE PROPERTY OF BILAMP SYSTEMS, INC. IT IS TO BE USED ONLY FOR THE PROJECT AND QUANTITY SPECIFIED THEREON. IT IS NOT TO BE REPRODUCED, COPIED, OR TRANSMITTED IN ANY FORM OR BY ANY MEANS, ELECTRONIC OR MECHANICAL, INCLUDING PHOTOCOPYING, RECORDING, OR BY ANY INFORMATION STORAGE AND RETRIEVAL SYSTEM. WITHOUT THE WRITTEN PERMISSION OF BILAMP SYSTEMS, INC.

REV.	DATE	DESCRIPTION	BY	APP.
A	10-24-80	STARTED	DR - DB	CH/SDI MD



BIAMP SYSTEMS  
 14270 N.W. SCIENCE PARK DRIVE  
 PORTLAND, OREGON U.S.A.  
 (503) 641-7287

BIAMP SYSTEMS  
 MIXPAK 300 REAR POWER PCB  
 380-0300-00

NOTES:  
 . COMPONENTS SHOWN (W.A.) ARE RES. & A

REV.	DATE	DESCRIPTION	BY	APP.
0	10-24-80	STARTED	DR - DB	CH/SDI MD

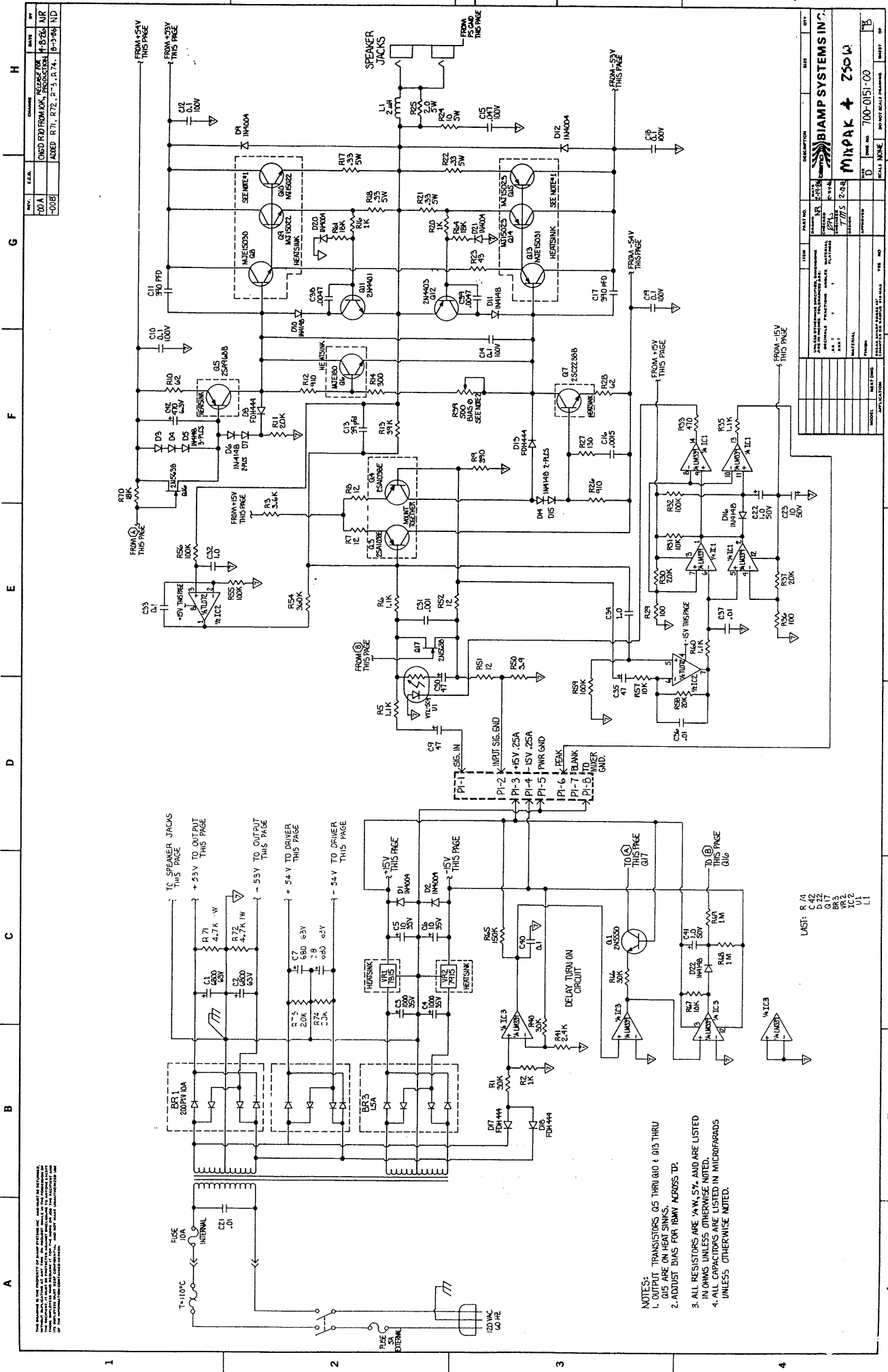
  

Bilamp		BILAMP SYSTEMS, INC.	
MIXPAK 300 REAR POWER PCB		4270 N.W. SCIENCE PARK DRIVE	
PORTLAND, OREGON 97228		TEL: (503) 641-7287	
FAX: (503) 641-7288		CIRCLE NO. 101 ON READER SERVICE CARD	

3800300 JOB - FR:1 DEC 29 06:37:24 1989

A B C D E F G H





REV.	DATE	DESCRIPTION
001	1-8-74	CHD FDD FROM LOK, REVISION FOR
		ADDED R71, R72, P-3, R74, B-3, 248, ND

ITEM	PART NO.	DESCRIPTION	QTY
1	2N4403	TRANSISTOR	1
2	2N4404	TRANSISTOR	1
3	2N5500	TRANSISTOR	1
4	2N5504	TRANSISTOR	1
5	741	OP AMP	1
6	747	OP AMP	1

ITEM	PART NO.	DESCRIPTION	QTY
7	10K	RESISTOR	1
8	100K	RESISTOR	1
9	1M	RESISTOR	1
10	10M	RESISTOR	1
11	100N	CAPACITOR	1
12	100P	CAPACITOR	1

ITEM	PART NO.	DESCRIPTION	QTY
13	100	RESISTOR	1
14	1000	RESISTOR	1
15	10000	RESISTOR	1
16	100000	RESISTOR	1
17	1000000	RESISTOR	1
18	10000000	RESISTOR	1

ITEM	PART NO.	DESCRIPTION	QTY
19	100000000	RESISTOR	1
20	1000000000	RESISTOR	1
21	10000000000	RESISTOR	1
22	100000000000	RESISTOR	1
23	1000000000000	RESISTOR	1

ITEM	PART NO.	DESCRIPTION	QTY
24	10000000000000	RESISTOR	1
25	100000000000000	RESISTOR	1
26	1000000000000000	RESISTOR	1
27	10000000000000000	RESISTOR	1
28	100000000000000000	RESISTOR	1

ITEM	PART NO.	DESCRIPTION	QTY
29	1000000000000000000	RESISTOR	1
30	10000000000000000000	RESISTOR	1

NOTES:  
 1. ALL TRANSISTORS AS THRU Q10 & Q13 THRU Q17 ARE ON HEAT SINKS.  
 2. ADJUST BIAS FOR 100V ACROSS TP.  
 3. ALL RESISTORS ARE 1/4W, 5%, AND ARE LISTED IN OHMS UNLESS OTHERWISE NOTED.  
 4. ALL CAPACITORS ARE LISTED IN MICROFARADS UNLESS OTHERWISE NOTED.

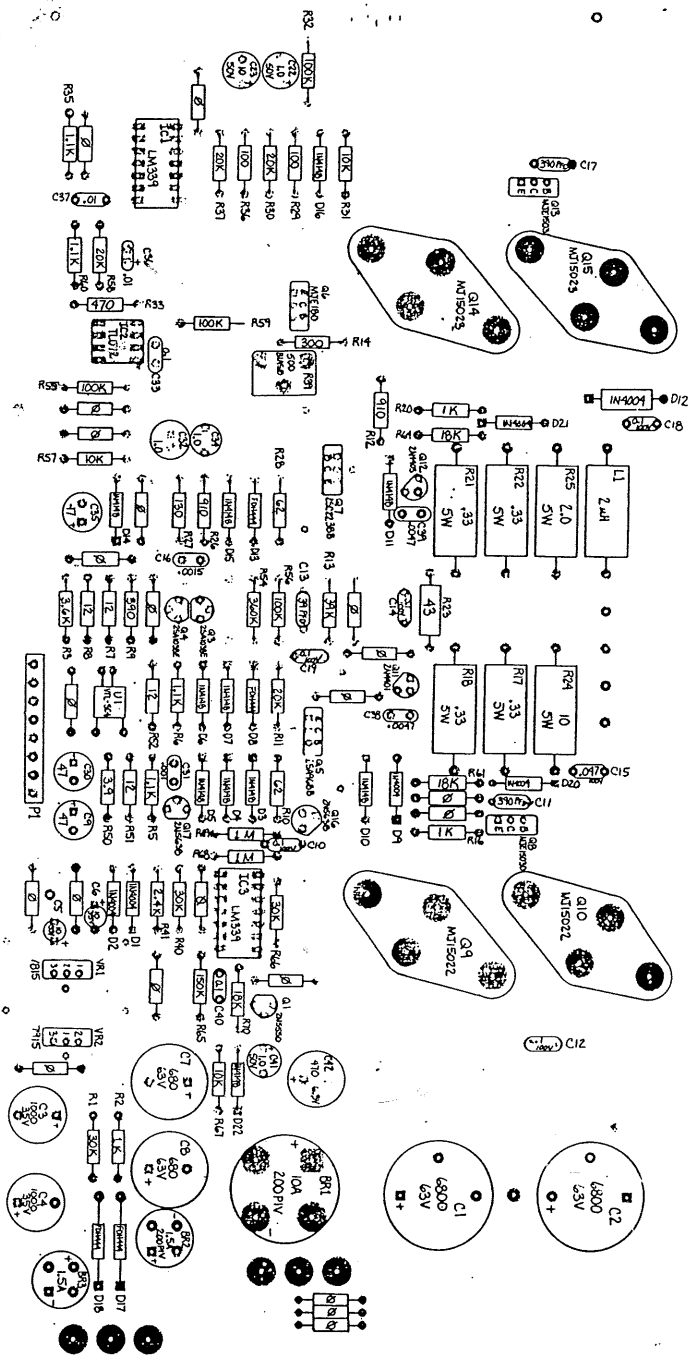
LAST: R 74  
 C 42  
 Q 17  
 BR 3  
 VR 2  
 UL 1  
 LI 1

**BIAMP SYSTEMS INC.**  
**Mixpak + 250W**

DATE: 1-8-74  
 DRAWING NO: 700-051-00  
 REV: 001

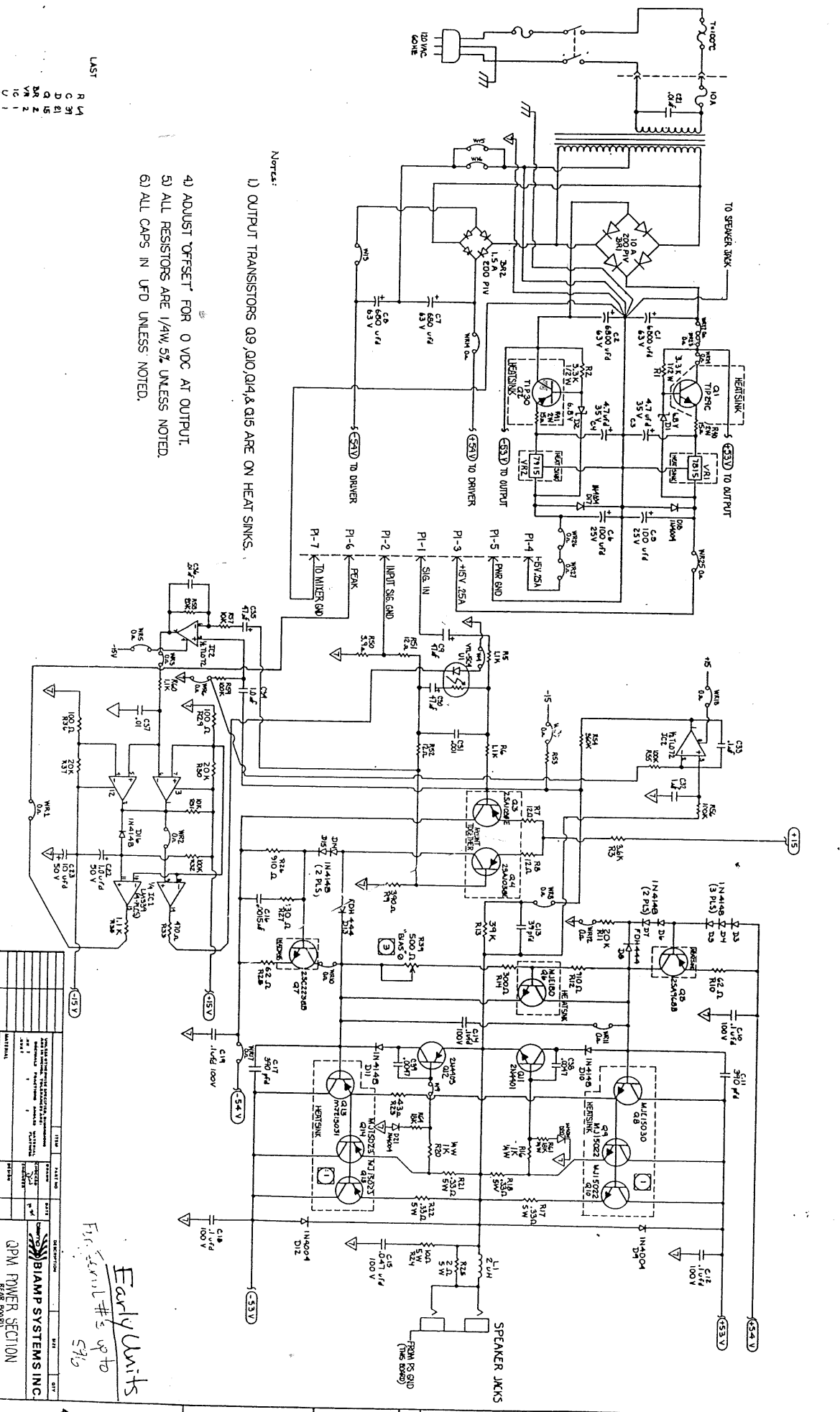
DESIGNED BY: [Name]  
 CHECKED BY: [Name]  
 APPROVED BY: [Name]





THIS DRAWING IS THE PROPERTY OF BILHAM SYSTEMS INC. IT IS TO BE USED ONLY FOR THE PROJECT AND QUANTITY SPECIFIED. IT IS NOT TO BE REPRODUCED OR COPIED IN ANY MANNER WITHOUT THE WRITTEN PERMISSION OF BILHAM SYSTEMS INC. THE COMPANY ASSUMES NO LIABILITY FOR ANY DAMAGE OR LOSS OF PROFITS, BUSINESS OR REVENUE, OR FOR ANY SPECIAL, INCIDENTAL OR CONSEQUENTIAL DAMAGES, INCLUDING ATTORNEY'S FEES, ARISING OUT OF OR FROM THIS DRAWING OR THE PROJECT TO WHICH IT RELATES.

A B C D E F G H



NOTES:

- 1) OUTPUT TRANSISTORS Q9, Q10, Q14 & Q15 ARE ON HEAT SINKS.
- 4) ADJUST "OFFSET" FOR 0 VDC AT OUTPUT.
- 5) ALL RESISTORS ARE 1/4W, 5% UNLESS NOTED.
- 6) ALL CAPS IN UFD UNLESS NOTED.

LAST

- R M1
- C B1
- Q A1
- DR Z
- VM 1
- IC 1
- L 1

REV	DATE	DESCRIPTION	BY	CHK
1		REVISED PER PROOF UPDATE		
2				
3				
4				

BILHAM SYSTEMS INC.  
 3PM POWER SECTION  
 REAR BOARD  
 700-0331-00

*Early Units*  
*up to*  
*Serial # 576*