

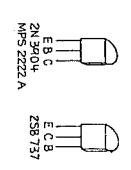
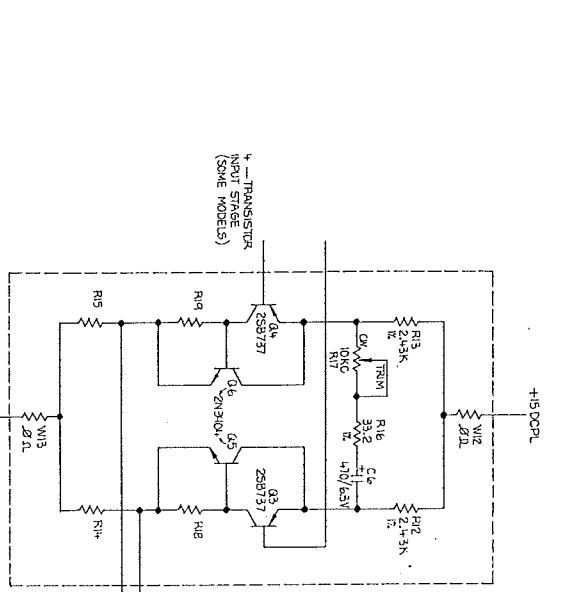
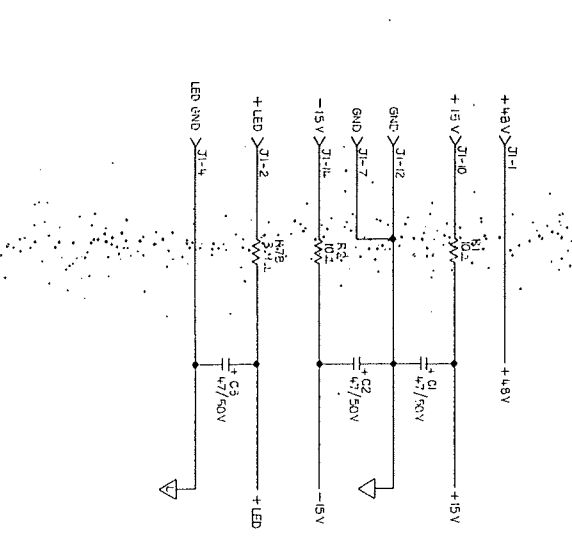
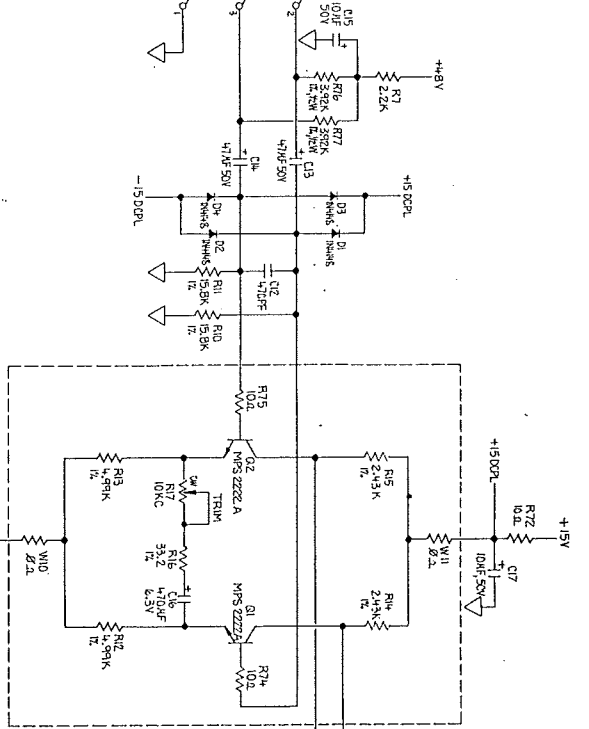
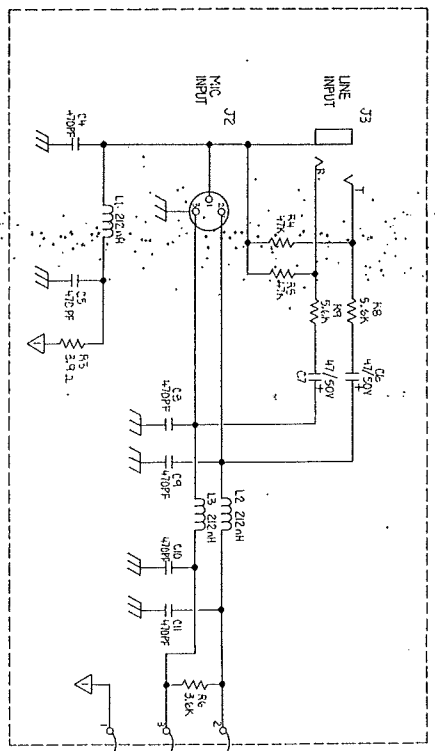
NEWPORT

Schematic

B I A M P[®]

S Y S T E M S

THIS SCHEMATIC IS THE PROPERTY OF BIA-MP SYSTEMS, INC. AND IS NOT TO BE REPRODUCED OR TRANSMITTED IN ANY FORM OR BY ANY MEANS, ELECTRONIC OR MECHANICAL, INCLUDING PHOTOCOPYING, RECORDING, OR BY ANY INFORMATION STORAGE AND RETRIEVAL SYSTEM. ANY UNAUTHORIZED REPRODUCTION OR TRANSMISSION IS STRICTLY PROHIBITED AND WILL BE PROSECUTED TO THE FULL EXTENT OF THE LAW.



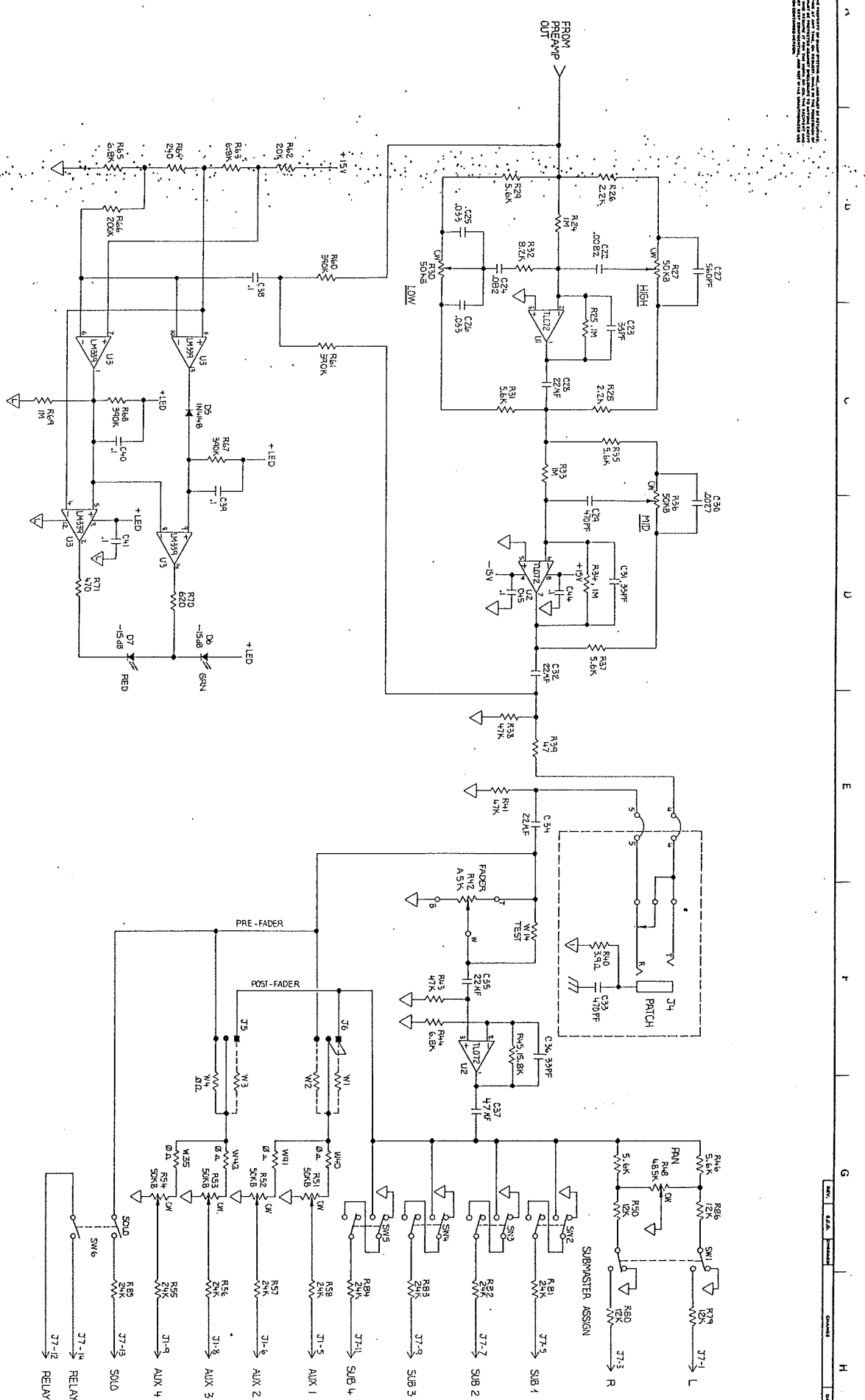
REV	DATE	DESCRIPTION	BY	CHKD
A	02/25/81	300-0230-01 REV C FLUX		

DATE	02/25/81	BY		CHKD	
DESIGNED		BY		CHKD	
SCHEMATIC		BY		CHKD	
NEWPORT INPUT		BY		CHKD	
FORM NO. 700-0235-00		BY		CHKD	
REV. 1 OF 2		BY		CHKD	

DATE	02/25/81	BY		CHKD	
DESIGNED		BY		CHKD	
SCHEMATIC		BY		CHKD	
NEWPORT INPUT		BY		CHKD	
FORM NO. 700-0235-00		BY		CHKD	
REV. 1 OF 2		BY		CHKD	

BIAMPEX SYSTEMS, INC. 300-0230-01 REV C FLUX 3/2/81 ND

THIS DRAWING IS THE PROPERTY OF BIAMP SYSTEMS, INC. IT IS TO BE USED ONLY FOR THE PROJECT AND QUANTITY SPECIFIED. IT IS NOT TO BE REPRODUCED OR TRANSMITTED IN ANY FORM OR BY ANY MEANS, ELECTRONIC OR MECHANICAL, INCLUDING PHOTOCOPYING, RECORDING, OR BY ANY INFORMATION STORAGE AND RETRIEVAL SYSTEM. WITHOUT THE WRITTEN PERMISSION OF BIAMP SYSTEMS, INC.



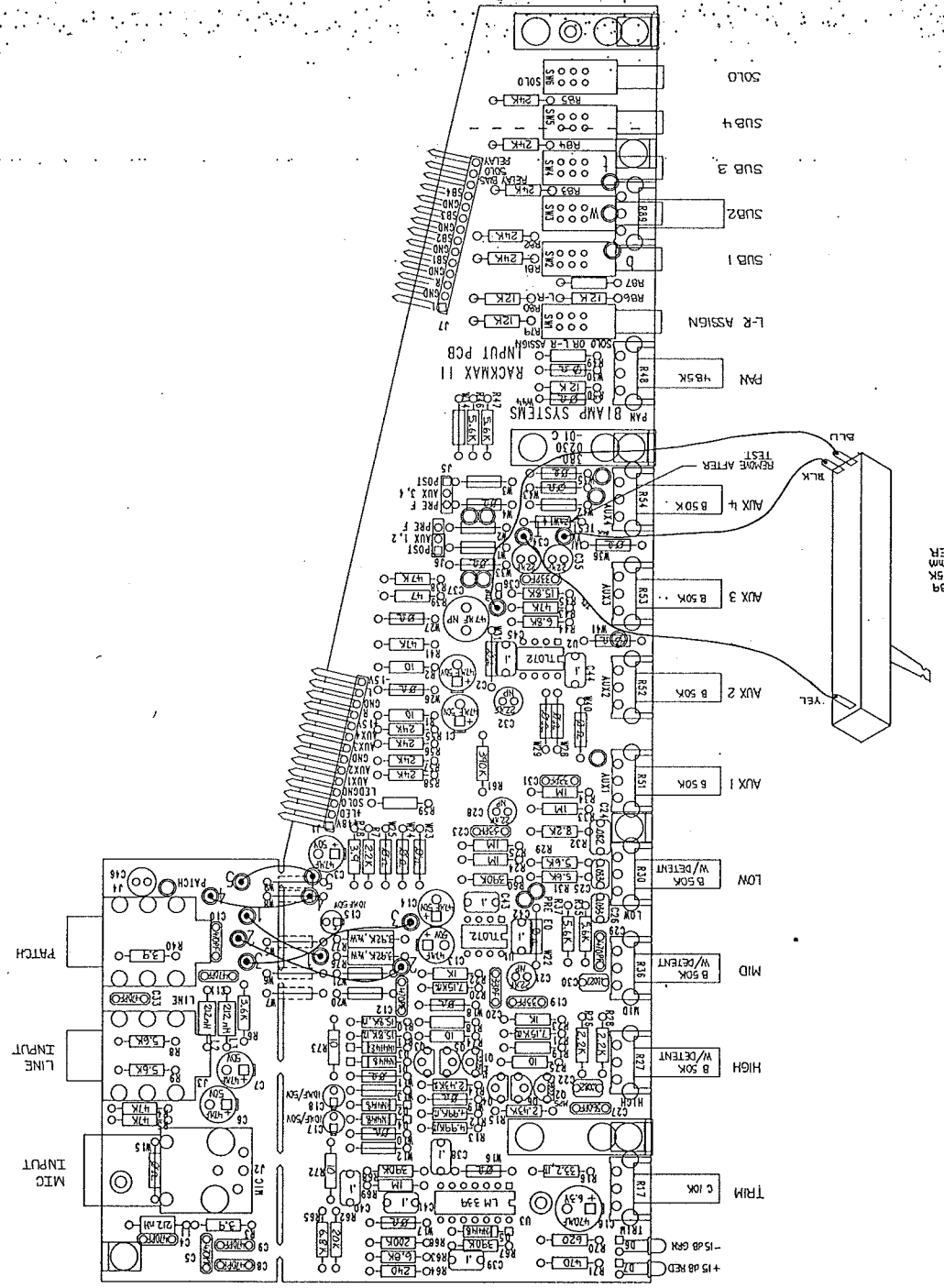
biamp BIAMP SYSTEMS, INC. 1000 WEST 10TH AVENUE, SUITE 100 DENVER, CO 80202 TEL: 303.733.1100 FAX: 303.733.1101 WWW.BIAMP.COM	
NEWPORT INPUT SCHEMATIC	BIAMP SYSTEMS, INC.
DATE: 08/01/00 DRAWN BY: J. J. JONES CHECKED BY: J. J. JONES APPROVED BY: J. J. JONES	PROJECT NO: 700-0233-00 SHEET 2 OF 2

A R C N F G H

THIS DRAWING IS THE PROPERTY OF BIAMP SYSTEMS, INC. IT IS TO BE USED ONLY FOR THE PROJECT AND QUANTITY SPECIFIED HEREON. IT IS NOT TO BE REPRODUCED, COPIED, OR TRANSMITTED IN ANY FORM OR BY ANY MEANS, ELECTRONIC OR MECHANICAL, INCLUDING PHOTOCOPYING, RECORDING, OR BY ANY INFORMATION STORAGE AND RETRIEVAL SYSTEM, WITHOUT THE WRITTEN PERMISSION OF BIAMP SYSTEMS, INC.

3800230B JOB - FR1 NOV 16 13:51:34 1990

A R C N E H G

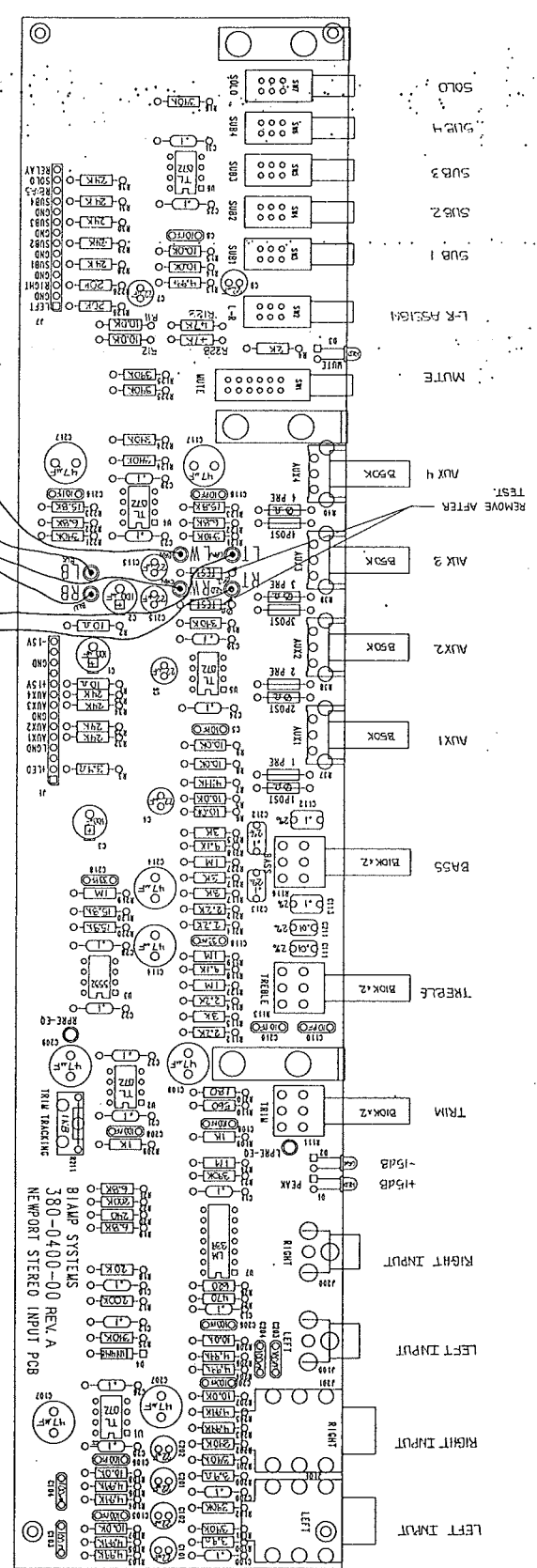


BIAMP SYSTEMS
14270 N.W. Science Park Drive
Portland, Oregon 97229
(503) 641-7287
Sheet 1 of 4 : Silkscreen
RACKMAX II INPUT PCB
380-0230-01
REV C

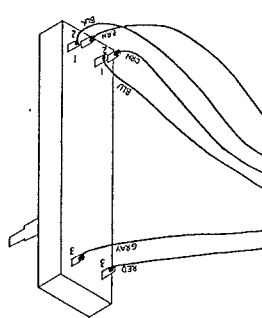
Blamp BIAMP SYSTEMS, INC. 4420 N.W. Science Park Drive Portland, OR 97229		PROJECT NO. 3800230B DATE 11/16/90 DRAWN BY J. H.
TITLE NEWPORT INPUT PCB COMPONENT LAYOUT	PART NO. 380-0233-00 REV. 0	SHEET 1 OF 1
MODEL PART LOCATION	MFG. MFG. PART NO.	MFG. QTY. MFG. DATE

REV	DATE	BY	CHKD
A	10/26/90	JH	JH

THIS DRAWING IS THE PROPERTY OF BIAMP SYSTEMS, INC. IT IS TO BE USED ONLY FOR THE PROJECT AND QUANTITY SPECIFIED. IT IS NOT TO BE REPRODUCED, COPIED, OR TRANSMITTED IN ANY FORM OR BY ANY MEANS, ELECTRONIC OR MECHANICAL, INCLUDING PHOTOCOPYING, RECORDING, OR BY ANY INFORMATION STORAGE AND RETRIEVAL SYSTEM. WITHOUT THE WRITTEN PERMISSION OF BIAMP SYSTEMS, INC.



BIAMP SYSTEMS
 14270 N.W. Science Park Drive
 Portland, Oregon 97229
 (503) 641-7287



380-0400-00 REV.A
 NEWPORT STEREO INPUT PCB
 Sheet 1 of 5 : Silkscreen

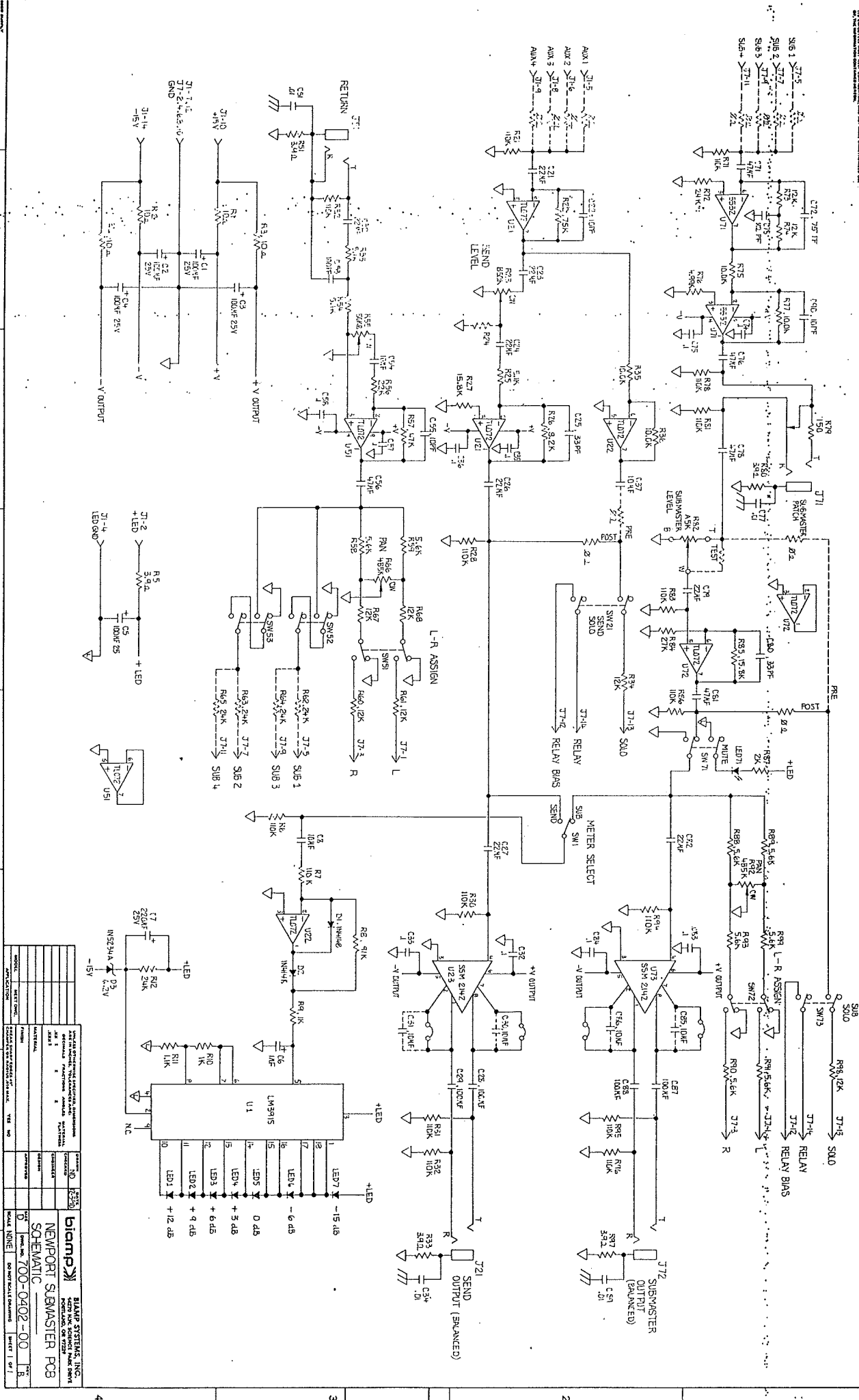
REV.	DATE	DESCRIPTION	BY	CHKD.
1.00	11/23/90	NEWPORT STEREO INPUT PCB

DESIGNED BY	DATE	BY	CHKD.
...
CHECKED BY	DATE	BY	CHKD.
...
APPROVED BY	DATE	BY	CHKD.
...

BIAMP SYSTEMS, INC.	701-0400-00
COMPONENT LAYOUT	NEWPORT STEREO INPUT PCB
DATE	NOV 23 1990
BY	...
CHKD.	...
APPROVED	...
SHEET 1 OF 5	...

3800400.job - Sun Dec 09 23:00:25 1990

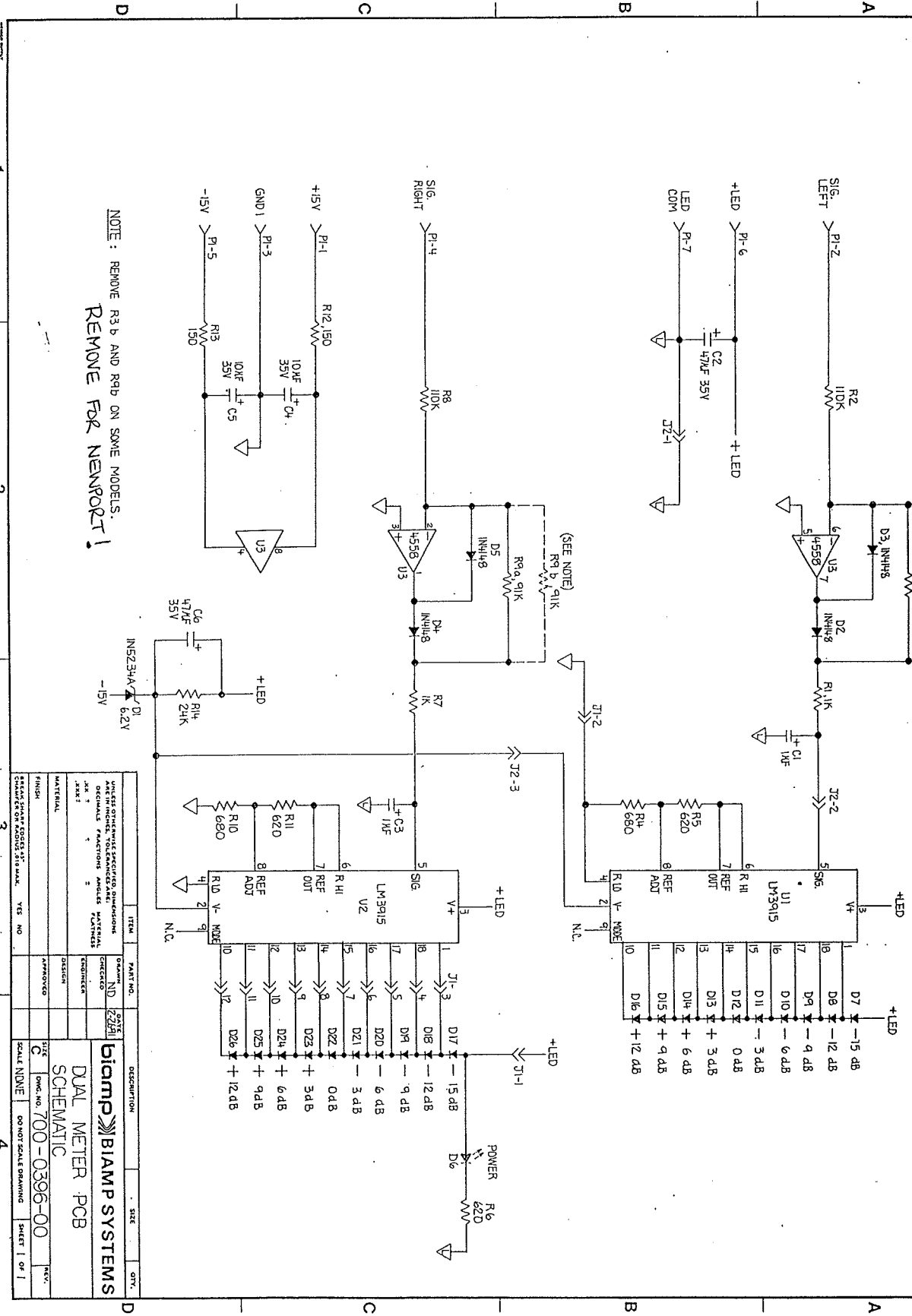
THIS DRAWING IS THE PROPERTY OF BIAMP SYSTEMS, INC. IT IS TO BE USED ONLY FOR THE PROJECT AND QUANTITY SPECIFIED THEREON. IT IS NOT TO BE REPRODUCED, COPIED, OR TRANSMITTED IN ANY FORM OR BY ANY MEANS, ELECTRONIC OR MECHANICAL, INCLUDING PHOTOCOPYING, RECORDING, OR BY ANY INFORMATION STORAGE AND RETRIEVAL SYSTEM. ANY UNAUTHORIZED REPRODUCTION OR USE OF THIS DRAWING IS STRICTLY PROHIBITED AND WILL BE PROSECUTED TO THE FULL EXTENT OF THE LAW.



DATE	2/25/80	BY	WJG
DESCRIPTION	NEWPORT SUBMASTER PCB		
PROJECT	NEWPORT SUBMASTER PCB		
REV	1	DATE	2/25/80
REV	2	DATE	2/25/80
REV	3	DATE	2/25/80
REV	4	DATE	2/25/80
REV	5	DATE	2/25/80
REV	6	DATE	2/25/80
REV	7	DATE	2/25/80
REV	8	DATE	2/25/80
REV	9	DATE	2/25/80
REV	10	DATE	2/25/80
REV	11	DATE	2/25/80
REV	12	DATE	2/25/80
REV	13	DATE	2/25/80
REV	14	DATE	2/25/80
REV	15	DATE	2/25/80
REV	16	DATE	2/25/80
REV	17	DATE	2/25/80
REV	18	DATE	2/25/80
REV	19	DATE	2/25/80
REV	20	DATE	2/25/80
REV	21	DATE	2/25/80
REV	22	DATE	2/25/80
REV	23	DATE	2/25/80
REV	24	DATE	2/25/80
REV	25	DATE	2/25/80
REV	26	DATE	2/25/80
REV	27	DATE	2/25/80
REV	28	DATE	2/25/80
REV	29	DATE	2/25/80
REV	30	DATE	2/25/80
REV	31	DATE	2/25/80
REV	32	DATE	2/25/80
REV	33	DATE	2/25/80
REV	34	DATE	2/25/80
REV	35	DATE	2/25/80
REV	36	DATE	2/25/80
REV	37	DATE	2/25/80
REV	38	DATE	2/25/80
REV	39	DATE	2/25/80
REV	40	DATE	2/25/80
REV	41	DATE	2/25/80
REV	42	DATE	2/25/80
REV	43	DATE	2/25/80
REV	44	DATE	2/25/80
REV	45	DATE	2/25/80
REV	46	DATE	2/25/80
REV	47	DATE	2/25/80
REV	48	DATE	2/25/80
REV	49	DATE	2/25/80
REV	50	DATE	2/25/80
REV	51	DATE	2/25/80
REV	52	DATE	2/25/80
REV	53	DATE	2/25/80
REV	54	DATE	2/25/80
REV	55	DATE	2/25/80
REV	56	DATE	2/25/80
REV	57	DATE	2/25/80
REV	58	DATE	2/25/80
REV	59	DATE	2/25/80
REV	60	DATE	2/25/80
REV	61	DATE	2/25/80
REV	62	DATE	2/25/80
REV	63	DATE	2/25/80
REV	64	DATE	2/25/80
REV	65	DATE	2/25/80
REV	66	DATE	2/25/80
REV	67	DATE	2/25/80
REV	68	DATE	2/25/80
REV	69	DATE	2/25/80
REV	70	DATE	2/25/80
REV	71	DATE	2/25/80
REV	72	DATE	2/25/80
REV	73	DATE	2/25/80
REV	74	DATE	2/25/80
REV	75	DATE	2/25/80
REV	76	DATE	2/25/80
REV	77	DATE	2/25/80
REV	78	DATE	2/25/80
REV	79	DATE	2/25/80
REV	80	DATE	2/25/80
REV	81	DATE	2/25/80
REV	82	DATE	2/25/80
REV	83	DATE	2/25/80
REV	84	DATE	2/25/80
REV	85	DATE	2/25/80
REV	86	DATE	2/25/80
REV	87	DATE	2/25/80
REV	88	DATE	2/25/80
REV	89	DATE	2/25/80
REV	90	DATE	2/25/80
REV	91	DATE	2/25/80
REV	92	DATE	2/25/80
REV	93	DATE	2/25/80
REV	94	DATE	2/25/80
REV	95	DATE	2/25/80
REV	96	DATE	2/25/80
REV	97	DATE	2/25/80
REV	98	DATE	2/25/80
REV	99	DATE	2/25/80
REV	100	DATE	2/25/80

BIAMP SYSTEMS, INC. 2550 INDUSTRIAL PARKWAY, SUITE 100, NEWPORT NEWS, VA 23601. PHONE: 800-700-0402. FAX: 800-700-0402. WWW: WWW.BIAMP.COM

THIS DRAWING IS THE PROPERTY OF BIAMP SYSTEMS, INC. AND IS NOT TO BE REPRODUCED OR TRANSMITTED IN ANY FORM OR BY ANY MEANS, ELECTRONIC OR MECHANICAL, INCLUDING PHOTOCOPYING, RECORDING, OR BY ANY INFORMATION STORAGE AND RETRIEVAL SYSTEM. ANY UNAUTHORIZED REPRODUCTION OR TRANSMISSION IS STRICTLY PROHIBITED. BIAMP SYSTEMS, INC. IS NOT RESPONSIBLE FOR ANY DAMAGE TO PERSONS OR PROPERTY CAUSED BY THE USE OF THIS DRAWING.



ITEM	DESCRIPTION	QTY
1	LM3915	2
2	LM393	2
3	1N4148	10
4	1N4148	10
5	1N4148	10
6	1N4148	10
7	1N4148	10
8	1N4148	10
9	1N4148	10
10	1N4148	10
11	1N4148	10
12	1N4148	10
13	1N4148	10
14	1N4148	10
15	1N4148	10
16	1N4148	10
17	1N4148	10
18	1N4148	10
19	1N4148	10
20	1N4148	10
21	1N4148	10
22	1N4148	10
23	1N4148	10
24	1N4148	10
25	1N4148	10
26	1N4148	10
27	1N4148	10
28	1N4148	10
29	1N4148	10
30	1N4148	10
31	1N4148	10
32	1N4148	10
33	1N4148	10
34	1N4148	10
35	1N4148	10
36	1N4148	10
37	1N4148	10
38	1N4148	10
39	1N4148	10
40	1N4148	10
41	1N4148	10
42	1N4148	10
43	1N4148	10
44	1N4148	10
45	1N4148	10
46	1N4148	10
47	1N4148	10
48	1N4148	10
49	1N4148	10
50	1N4148	10
51	1N4148	10
52	1N4148	10
53	1N4148	10
54	1N4148	10
55	1N4148	10
56	1N4148	10
57	1N4148	10
58	1N4148	10
59	1N4148	10
60	1N4148	10
61	1N4148	10
62	1N4148	10
63	1N4148	10
64	1N4148	10
65	1N4148	10
66	1N4148	10
67	1N4148	10
68	1N4148	10
69	1N4148	10
70	1N4148	10
71	1N4148	10
72	1N4148	10
73	1N4148	10
74	1N4148	10
75	1N4148	10
76	1N4148	10
77	1N4148	10
78	1N4148	10
79	1N4148	10
80	1N4148	10
81	1N4148	10
82	1N4148	10
83	1N4148	10
84	1N4148	10
85	1N4148	10
86	1N4148	10
87	1N4148	10
88	1N4148	10
89	1N4148	10
90	1N4148	10
91	1N4148	10
92	1N4148	10
93	1N4148	10
94	1N4148	10
95	1N4148	10
96	1N4148	10
97	1N4148	10
98	1N4148	10
99	1N4148	10
100	1N4148	10

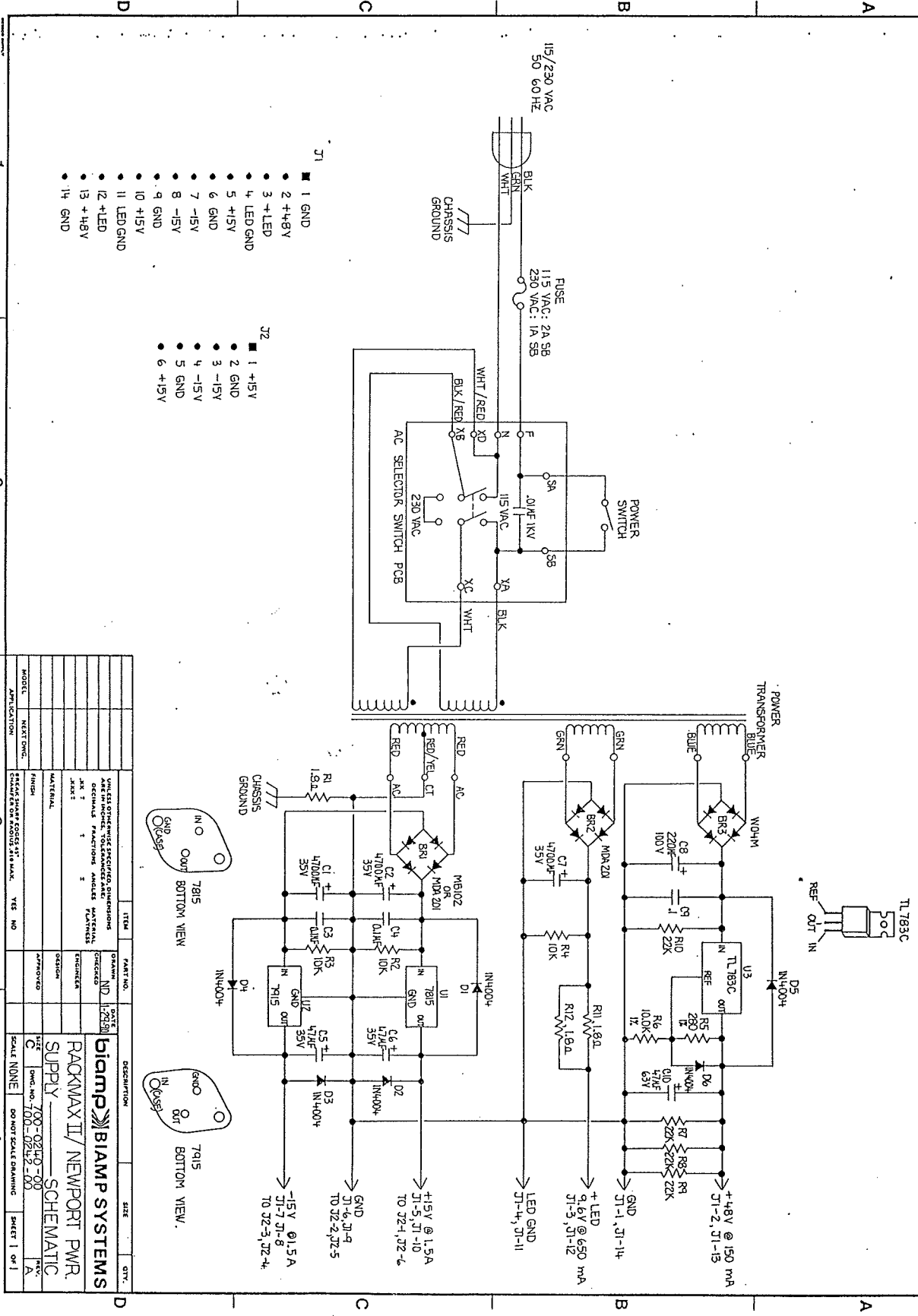
ITEM	DESCRIPTION	QTY
1	LM3915	2
2	LM393	2
3	1N4148	10
4	1N4148	10
5	1N4148	10
6	1N4148	10
7	1N4148	10
8	1N4148	10
9	1N4148	10
10	1N4148	10
11	1N4148	10
12	1N4148	10
13	1N4148	10
14	1N4148	10
15	1N4148	10
16	1N4148	10
17	1N4148	10
18	1N4148	10
19	1N4148	10
20	1N4148	10
21	1N4148	10
22	1N4148	10
23	1N4148	10
24	1N4148	10
25	1N4148	10
26	1N4148	10
27	1N4148	10
28	1N4148	10
29	1N4148	10
30	1N4148	10
31	1N4148	10
32	1N4148	10
33	1N4148	10
34	1N4148	10
35	1N4148	10
36	1N4148	10
37	1N4148	10
38	1N4148	10
39	1N4148	10
40	1N4148	10
41	1N4148	10
42	1N4148	10
43	1N4148	10
44	1N4148	10
45	1N4148	10
46	1N4148	10
47	1N4148	10
48	1N4148	10
49	1N4148	10
50	1N4148	10
51	1N4148	10
52	1N4148	10
53	1N4148	10
54	1N4148	10
55	1N4148	10
56	1N4148	10
57	1N4148	10
58	1N4148	10
59	1N4148	10
60	1N4148	10
61	1N4148	10
62	1N4148	10
63	1N4148	10
64	1N4148	10
65	1N4148	10
66	1N4148	10
67	1N4148	10
68	1N4148	10
69	1N4148	10
70	1N4148	10
71	1N4148	10
72	1N4148	10
73	1N4148	10
74	1N4148	10
75	1N4148	10
76	1N4148	10
77	1N4148	10
78	1N4148	10
79	1N4148	10
80	1N4148	10
81	1N4148	10
82	1N4148	10
83	1N4148	10
84	1N4148	10
85	1N4148	10
86	1N4148	10
87	1N4148	10
88	1N4148	10
89	1N4148	10
90	1N4148	10
91	1N4148	10
92	1N4148	10
93	1N4148	10
94	1N4148	10
95	1N4148	10
96	1N4148	10
97	1N4148	10
98	1N4148	10
99	1N4148	10
100	1N4148	10

NOTE: REMOVE R3b AND R9b ON SOME MODELS.
REMOVE FOR NENRPORT!

ITEM	DESCRIPTION	QTY
1	LM3915	2
2	LM393	2
3	1N4148	10
4	1N4148	10
5	1N4148	10
6	1N4148	10
7	1N4148	10
8	1N4148	10
9	1N4148	10
10	1N4148	10
11	1N4148	10
12	1N4148	10
13	1N4148	10
14	1N4148	10
15	1N4148	10
16	1N4148	10
17	1N4148	10
18	1N4148	10
19	1N4148	10
20	1N4148	10
21	1N4148	10
22	1N4148	10
23	1N4148	10
24	1N4148	10
25	1N4148	10
26	1N4148	10
27	1N4148	10
28	1N4148	10
29	1N4148	10
30	1N4148	10
31	1N4148	10
32	1N4148	10
33	1N4148	10
34	1N4148	10
35	1N4148	10
36	1N4148	10
37	1N4148	10
38	1N4148	10
39	1N4148	10
40	1N4148	10
41	1N4148	10
42	1N4148	10
43	1N4148	10
44	1N4148	10
45	1N4148	10
46	1N4148	10
47	1N4148	10
48	1N4148	10
49	1N4148	10
50	1N4148	10
51	1N4148	10
52	1N4148	10
53	1N4148	10
54	1N4148	10
55	1N4148	10
56	1N4148	10
57	1N4148	10
58	1N4148	10
59	1N4148	10
60	1N4148	10
61	1N4148	10
62	1N4148	10
63	1N4148	10
64	1N4148	10
65	1N4148	10
66	1N4148	10
67	1N4148	10
68	1N4148	10
69	1N4148	10
70	1N4148	10
71	1N4148	10
72	1N4148	10
73	1N4148	10
74	1N4148	10
75	1N4148	10
76	1N4148	10
77	1N4148	10
78	1N4148	10
79	1N4148	10
80	1N4148	10
81	1N4148	10
82	1N4148	10
83	1N4148	10
84	1N4148	10
85	1N4148	10
86	1N4148	10
87	1N4148	10
88	1N4148	10
89	1N4148	10
90	1N4148	10
91	1N4148	10
92	1N4148	10
93	1N4148	10
94	1N4148	10
95	1N4148	10
96	1N4148	10
97	1N4148	10
98	1N4148	10
99	1N4148	10
100	1N4148	10

ITEM	DESCRIPTION	QTY
1	LM3915	2
2	LM393	2
3	1N4148	10
4	1N4148	10
5	1N4148	10
6	1N4148	10
7	1N4148	10
8	1N4148	10
9	1N4148	10
10	1N4148	10
11	1N4148	10
12	1N4148	10
13	1N4148	10
14	1N4148	10
15	1N4148	10
16	1N4148	10
17	1N4148	10
18	1N4148	10
19	1N4148	10
20	1N4148	10
21	1N4148	10
22	1N4148	10
23	1N4148	10
24	1N41	

This drawing is the property of BAMP SYSTEMS, and shall be returned to the originator if not returned to the originator. It shall be protected against disclosure to anyone other than authorized personnel. All rights reserved. THE DESIGN AND CONSTRUCTION OF THIS DRAWING ARE THE PROPERTY OF BAMP SYSTEMS.



- J1
- 1 GND
 - 2 +4.8V
 - 3 +LED
 - 4 LED GND
 - 5 +15V
 - 6 GND
 - 7 -15V
 - 8 -15V
 - 9 GND
 - 10 +15V
 - 11 LED GND
 - 12 +1LED
 - 13 +4.8V
 - 14 GND

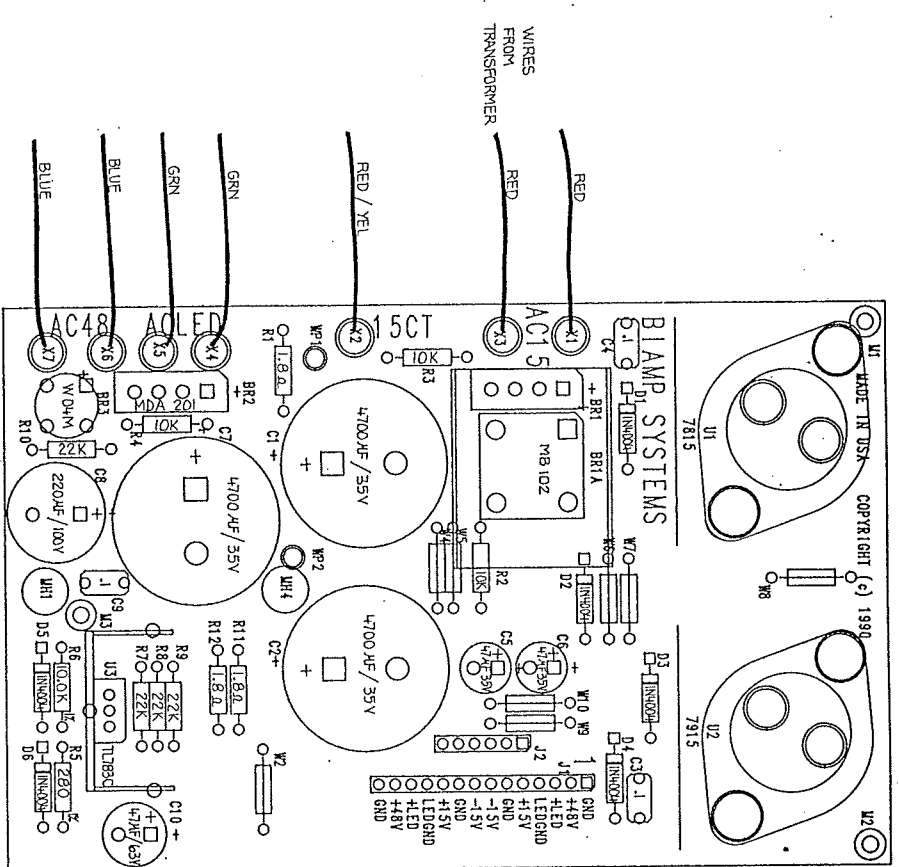
- J2
- 1 +15V
 - 2 GND
 - 3 -15V
 - 4 -15V
 - 5 GND
 - 6 +15V

ITEM	QTY	DESCRIPTION	SIZE	QTY
1	1	TL783C		
2	1	TL7815		
3	1	BR1, BR2, BR3, BR4		
4	1	C1, C2, C3, C4, C5		
5	1	R1, R2, R3, R4, R5, R6, R7, R8, R9, R10, R11, R12, R13, R14, R15, R16, R17, R18, R19, R20, R21, R22, R23, R24, R25, R26, R27, R28, R29, R30, R31, R32, R33, R34, R35, R36, R37, R38, R39, R40, R41, R42, R43, R44, R45, R46, R47, R48, R49, R50, R51, R52, R53, R54, R55, R56, R57, R58, R59, R60, R61, R62, R63, R64, R65, R66, R67, R68, R69, R70, R71, R72, R73, R74, R75, R76, R77, R78, R79, R80, R81, R82, R83, R84, R85, R86, R87, R88, R89, R90, R91, R92, R93, R94, R95, R96, R97, R98, R99, R100		

REV.	DATE	BY
A	03-91	CH/D, R1, R5, R6, R11, R12
		3-1-91
		IND

BIAMP SYSTEMS
RACKMAX II / NEWPORT PWR.
SUPPLY SCHEMATIC

THE PATENTED & TRADE MARKED DESIGN OF THIS POWER SUPPLY AND THE USE OF THE TRADE MARK OF BIAMP SYSTEMS IN THE DESIGN OF THIS POWER SUPPLY IS THE PROPERTY OF BIAMP SYSTEMS. NO PART OF THIS DOCUMENT IS TO BE REPRODUCED OR TRANSMITTED IN ANY FORM OR BY ANY MEANS, ELECTRONIC OR MECHANICAL, INCLUDING PHOTOCOPYING, RECORDING, OR BY ANY INFORMATION STORAGE AND RETRIEVAL SYSTEM, WITHOUT THE WRITTEN PERMISSION OF BIAMP SYSTEMS.



BIAMP SYSTEMS
RACKMAX II POWER SUPPLY

NOTES: COMPONENTS SHOWN ARE OF A RESISTOR.

MODEL	NEXT TIME	APPLICATION	CHANGE ON RADIO 518 MAX.	YES	NO
380-02740-00					
<p>BIAMP SYSTEMS RACKMAX II/NEWPORT PWR. SUPPLY - COMPONENT LAYOUT</p>					
<p>SCALE 2X SHEET 1 OF 1</p>					

REV.	DATE	CHANGE	DATE	BY
A	03-91	CHG'D R1, R5, R6, R11, R12.	3-11-91	ND