

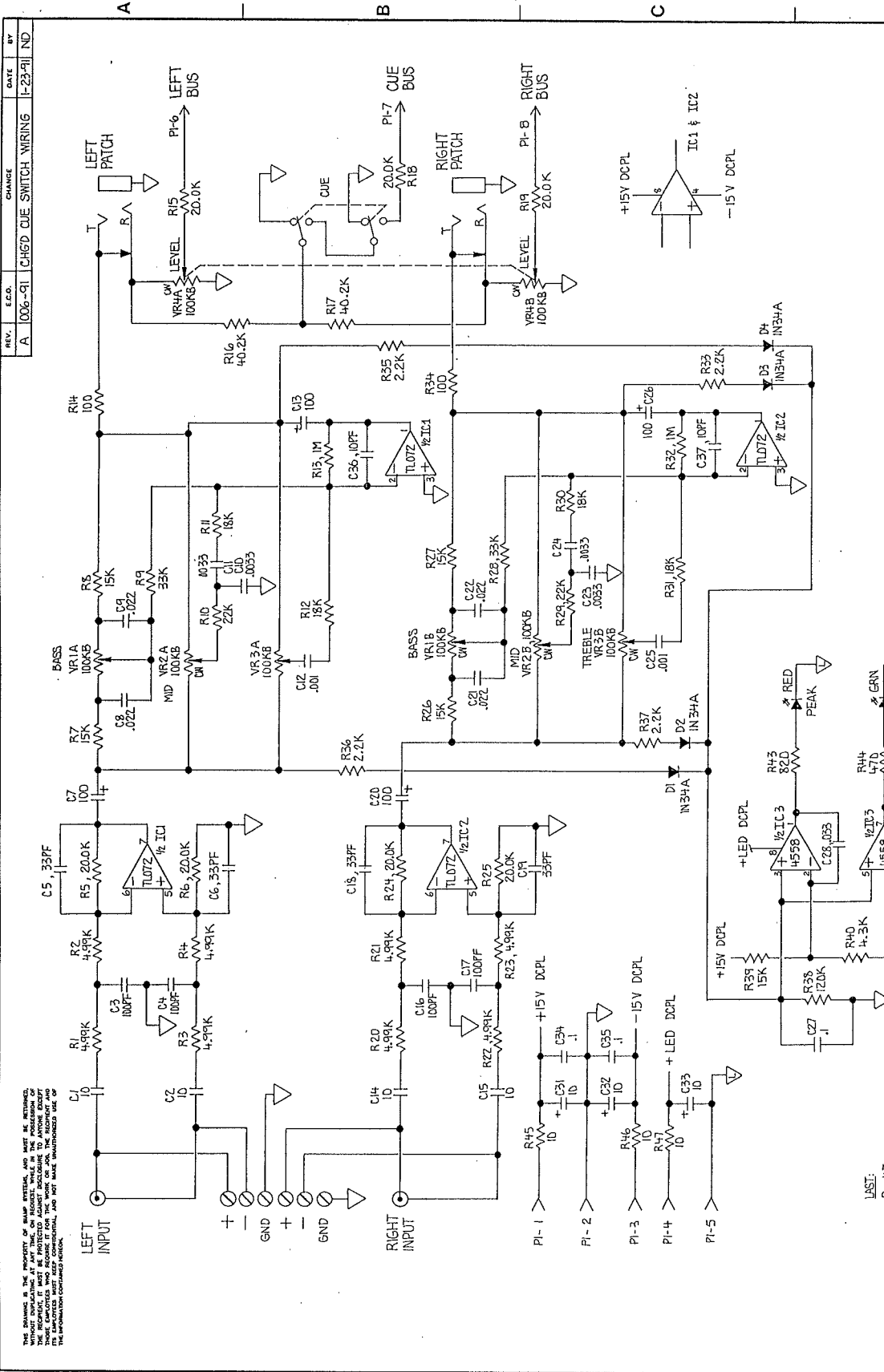
PM602

# Schematic

**B I A M P<sup>®</sup>**

---

S Y S T E M S



THIS DRAWING IS THE PROPERTY OF BIAMP SYSTEMS, AND MUST BE RETURNED TO THE COMPANY UPON REQUEST. IT IS NOT TO BE REPRODUCED OR TRANSMITTED IN ANY FORM OR BY ANY MEANS, ELECTRONIC OR MECHANICAL, INCLUDING PHOTOCOPYING, RECORDING, OR BY ANY INFORMATION STORAGE AND RETRIEVAL SYSTEM, WITHOUT THE WRITTEN PERMISSION OF BIAMP SYSTEMS. THE INFORMATION CONTAINED HEREIN IS UNCLASSIFIED EXCEPT WHERE SHOWN OTHERWISE.

REV.	E.Z.O.	CHANGE	DATE	BY
A	1006-91	CHGD CUE SWITCH WIRING	1-23-91	ND

ITEM	PART NO.	DESCRIPTION	SIZE	QTY.
1	IC1 & IC2	TL072		2
2	D1 & D2	IN394A		2
3	D3 & D4	IN394A		2
4	R1-R45	RESISTORS		45
5	C1-C10	CAPACITORS		10

DRAWING NO.	ENGINEER	DESIGNER	APPROVED	FINISH	SCALE	NO.
1006-91					NONE	1

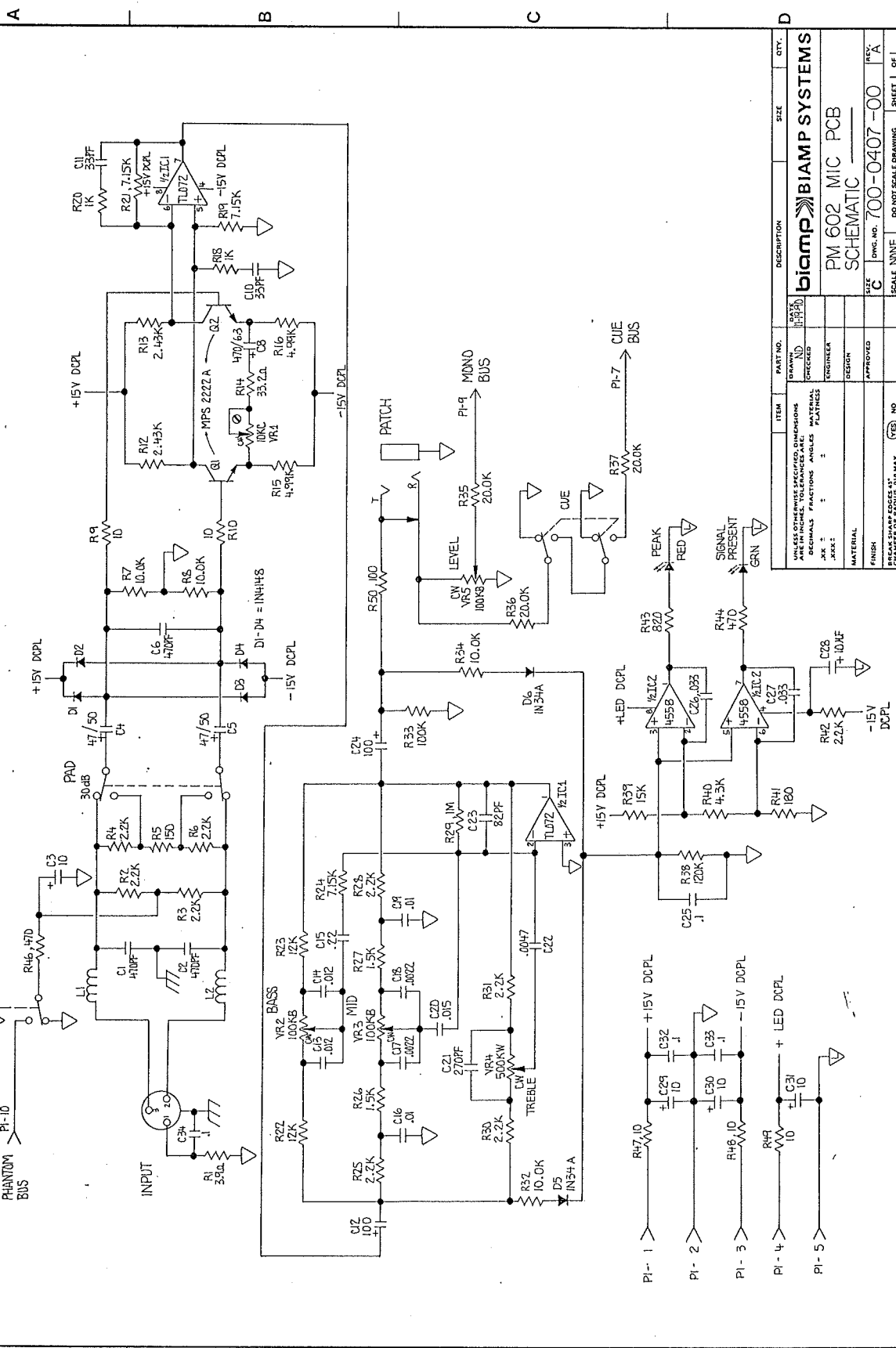
  

DESCRIPTION	SIZE	QTY.
biamp BIAMP SYSTEMS		
PM 602 INPUT PCB		
SCHEMATIC		
SIZE	ENG. NO. 700-0406-00	REV. A
SCALE	NONE	DO NOT SCALE DRAWING
		SHEET 1 OF 1

LAST:  
 R 47  
 C 37  
 D 4  
 IC 3



THIS DRAWING IS THE PROPERTY OF BIAMP SYSTEMS, INC. AND IS NOT TO BE REPRODUCED OR TRANSMITTED IN ANY FORM OR BY ANY MEANS, ELECTRONIC OR MECHANICAL, INCLUDING PHOTOCOPYING, RECORDING, OR BY ANY INFORMATION STORAGE AND RETRIEVAL SYSTEM. WITHOUT THE WRITTEN PERMISSION OF BIAMP SYSTEMS, INC. THIS INFORMATION IS UNCLASSIFIED.

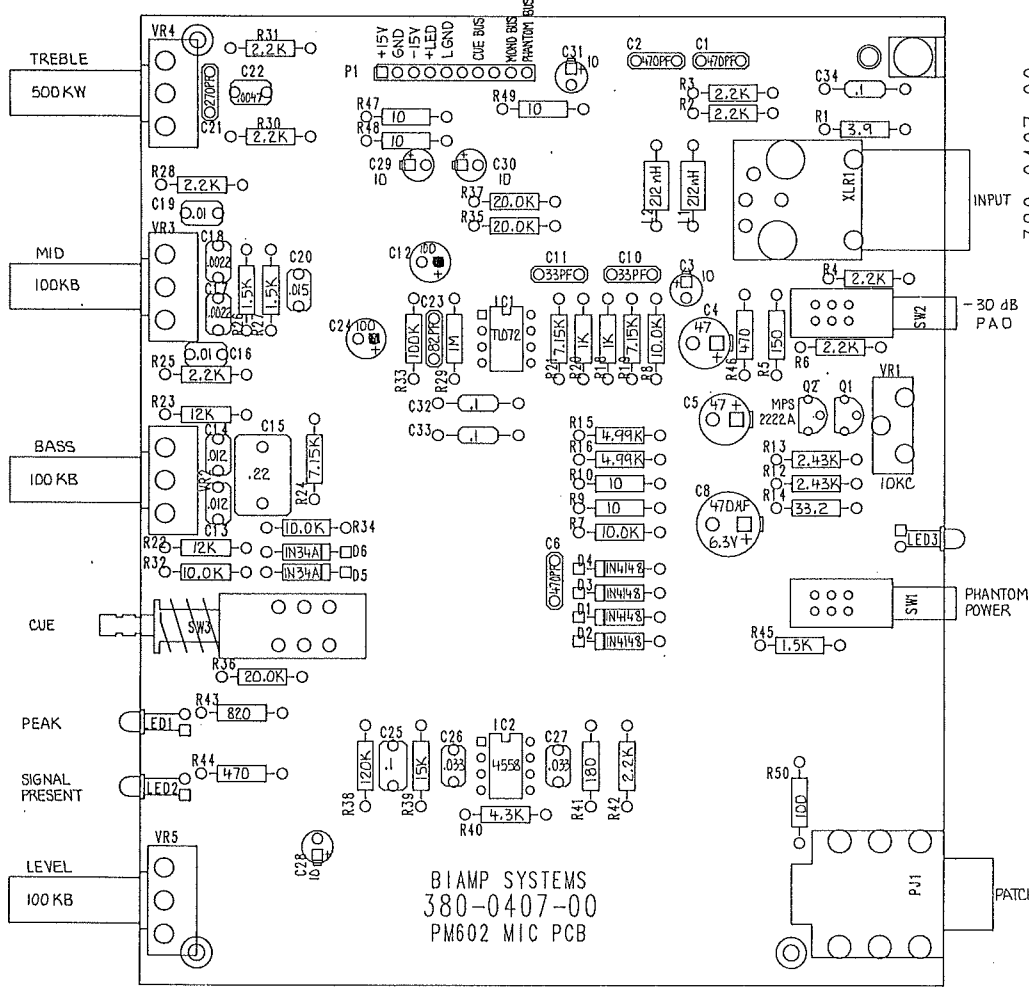


ITEM	DESCRIPTION	SIZE	QTY.
1	BIAMP SYSTEMS		
2	PM 602 MIC PCB		
3	SCHEMATIC		
4	SCALE NONE		
5	DO NOT SCALE DRAWING		
6	SHEET 1 OF 1		

DRW. NO.	REV.	DESCRIPTION	DATE	BY
006-91	ND	CAGED CUE SWITCH WIRING	1-23-91	ND

A B C D

THIS DRAWING IS THE PROPERTY OF BIAMP SYSTEMS, AND MUST BE RETURNED TO BIAMP SYSTEMS UPON COMPLETION OF THE PROJECT. IT MUST BE PROTECTED AGAINST DISCLOSURE TO ANYONE EXCEPT BIAMP SYSTEMS PERSONNEL. BIAMP SYSTEMS WILL NOT BE RESPONSIBLE FOR ANY REPRODUCTION OR UNAUTHORIZED USE OF THE INFORMATION CONTAINED HEREIN.



BIAMP SYSTEMS  
380-0407-00  
PM602 MIC PCB

380-0407-00

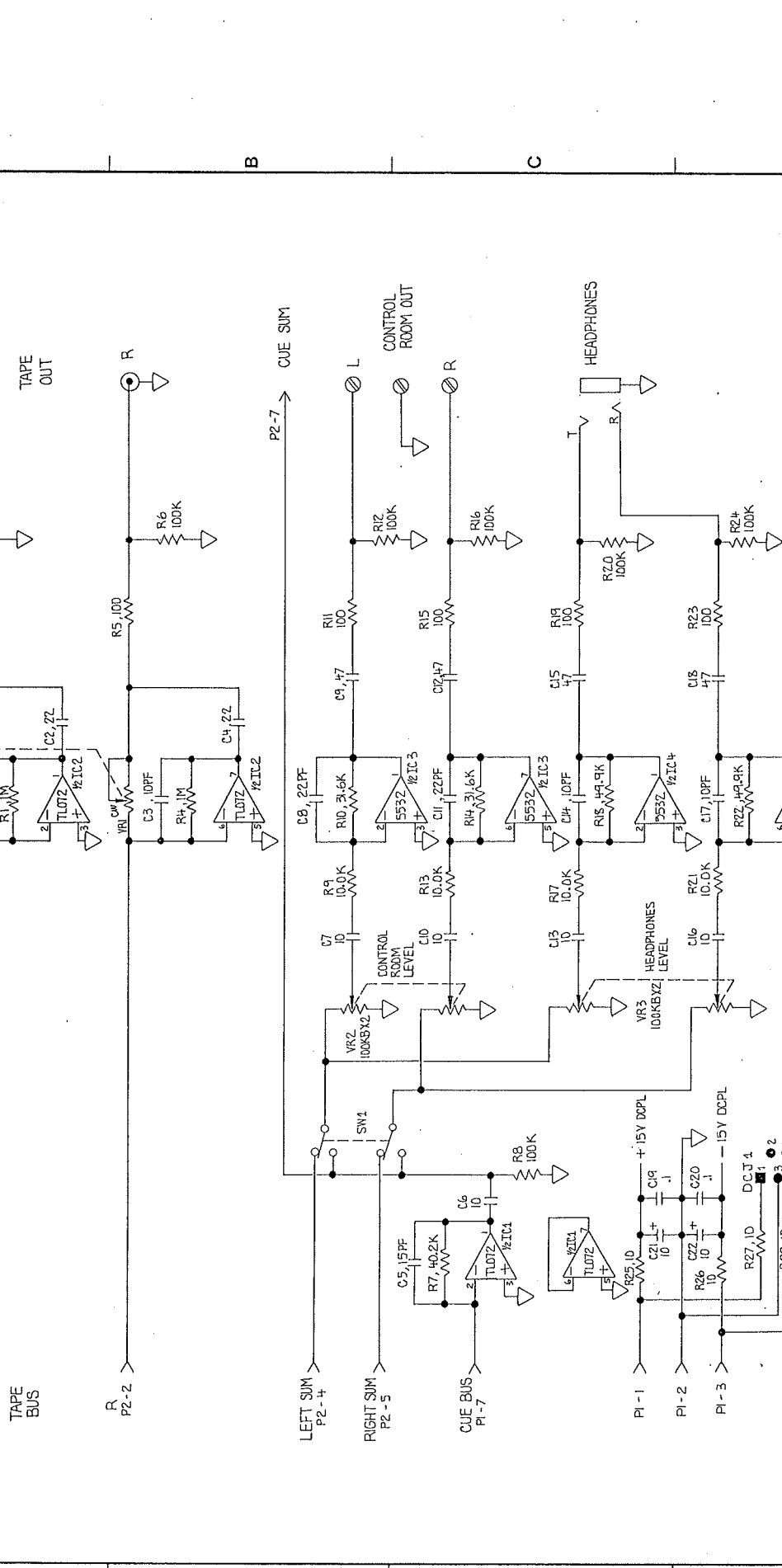
DESCRIPTION	SIZE	QTY.
PM602 MIC PCB		
UNLESS OTHERWISE SPECIFIED, ALL DIMENSIONS ARE IN INCHES. DECIMALS AND FRACTIONS ANGLES PLATES		
.X.X	ENGINEER	
.X.XX	DESIGN	
	APPROVED	
MATERIAL		
FINISH		
UNLESS OTHERWISE SPECIFIED, ALL DIMENSIONS ARE IN INCHES. DECIMALS AND FRACTIONS ANGLES PLATES	YES	NO
SCALE 2/A	DO NOT SCALE DRAWING	SHEET 1 OF 1

BIAMP SYSTEMS  
COMPONENT LAYOUT  
PM602 MIC PCB

BIAMP SYSTEMS  
14270 N.W. Science Park Drive  
Portland, Oregon 97229  
(503) 641-7287

A B C D

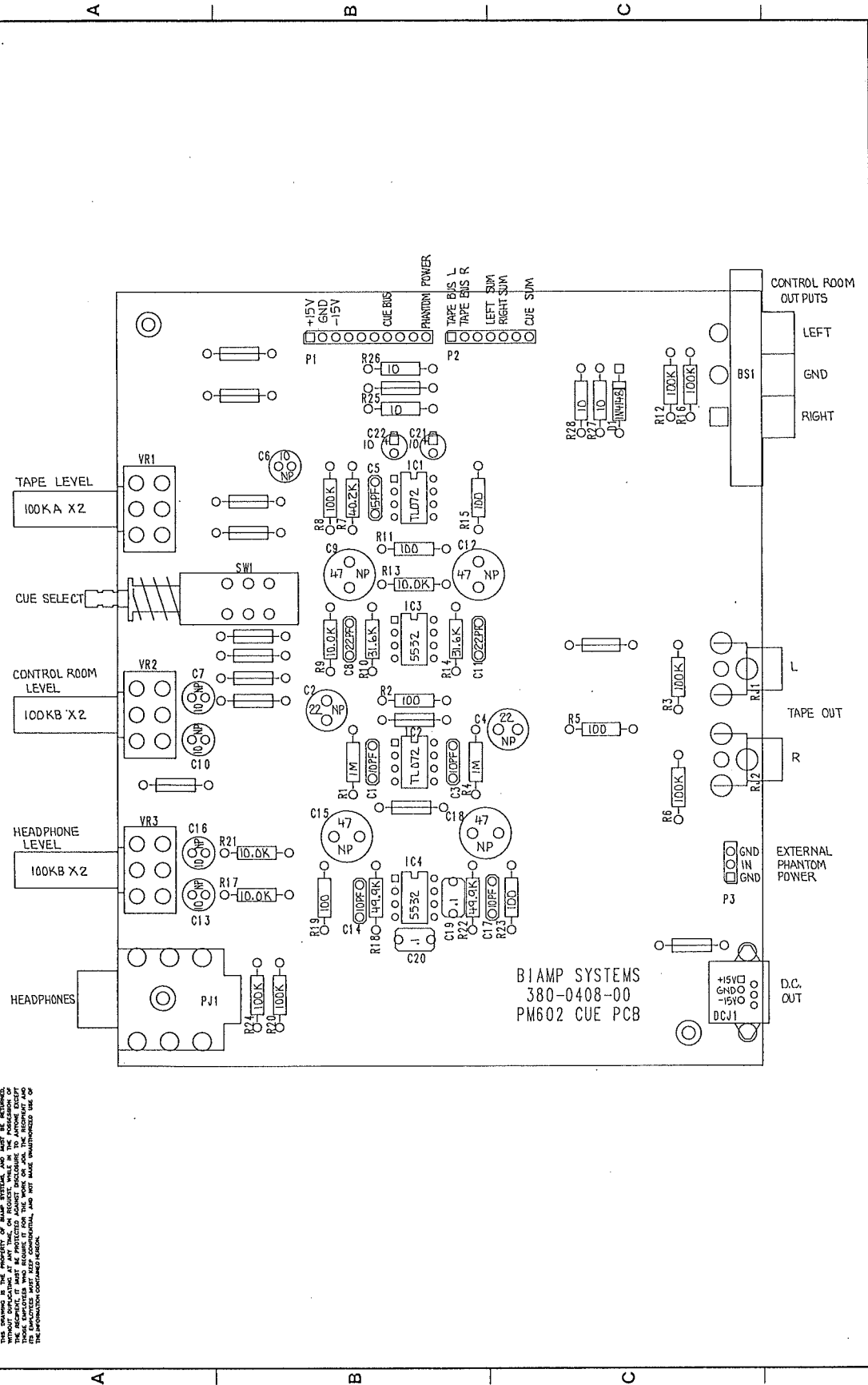
THIS DRAWING IS THE PROPERTY OF BIAMP SYSTEMS, INC. AND MUST BE RETURNED TO THE COMPANY UPON COMPLETION OF THE PROJECT. THE INFORMATION CONTAINED HEREIN IS UNCLASSIFIED EXCEPT WHERE SHOWN OTHERWISE. THIS DOCUMENT IS NOT TO BE REPRODUCED, STORED IN A RETRIEVABLE SYSTEM, OR TRANSMITTED IN ANY FORM OR BY ANY MEANS, ELECTRONIC OR MECHANICAL, INCLUDING PHOTOCOPYING, RECORDING, OR BY ANY INFORMATION STORAGE AND RETRIEVAL SYSTEM, WITHOUT THE WRITTEN PERMISSION OF BIAMP SYSTEMS, INC.



ITEM	DESCRIPTION	SIZE	QTY.
1	UNLESS OTHERWISE SPECIFIED, DIMENSIONS ARE IN MILLIMETERS (INCHES IN PARENTHESES)		
2	RESISTORS		
3	CAPACITORS		
4	OP-AMP BUFFERS		
5	POTENTIOMETERS		
6	RESISTORS		
7	CAPACITORS		
8	RESISTORS		
9	POTENTIOMETERS		
10	RESISTORS		
11	CAPACITORS		
12	RESISTORS		
13	CAPACITORS		
14	RESISTORS		
15	CAPACITORS		
16	RESISTORS		
17	CAPACITORS		
18	RESISTORS		
19	CAPACITORS		
20	RESISTORS		
21	CAPACITORS		
22	RESISTORS		
23	CAPACITORS		
24	RESISTORS		
25	CAPACITORS		
26	RESISTORS		
27	CAPACITORS		
28	RESISTORS		
29	CAPACITORS		
30	RESISTORS		
31	CAPACITORS		
32	RESISTORS		
33	CAPACITORS		
34	RESISTORS		
35	CAPACITORS		
36	RESISTORS		
37	CAPACITORS		
38	RESISTORS		
39	CAPACITORS		
40	RESISTORS		
41	CAPACITORS		
42	RESISTORS		
43	CAPACITORS		
44	RESISTORS		
45	CAPACITORS		
46	RESISTORS		
47	CAPACITORS		
48	RESISTORS		
49	CAPACITORS		
50	RESISTORS		
51	CAPACITORS		
52	RESISTORS		
53	CAPACITORS		
54	RESISTORS		
55	CAPACITORS		
56	RESISTORS		
57	CAPACITORS		
58	RESISTORS		
59	CAPACITORS		
60	RESISTORS		
61	CAPACITORS		
62	RESISTORS		
63	CAPACITORS		
64	RESISTORS		
65	CAPACITORS		
66	RESISTORS		
67	CAPACITORS		
68	RESISTORS		
69	CAPACITORS		
70	RESISTORS		
71	CAPACITORS		
72	RESISTORS		
73	CAPACITORS		
74	RESISTORS		
75	CAPACITORS		
76	RESISTORS		
77	CAPACITORS		
78	RESISTORS		
79	CAPACITORS		
80	RESISTORS		
81	CAPACITORS		
82	RESISTORS		
83	CAPACITORS		
84	RESISTORS		
85	CAPACITORS		
86	RESISTORS		
87	CAPACITORS		
88	RESISTORS		
89	CAPACITORS		
90	RESISTORS		
91	CAPACITORS		
92	RESISTORS		
93	CAPACITORS		
94	RESISTORS		
95	CAPACITORS		
96	RESISTORS		
97	CAPACITORS		
98	RESISTORS		
99	CAPACITORS		
100	RESISTORS		

**biamp** BIAMP SYSTEMS  
 PM602 CUE PCB  
 SCHEMATIC  
 SIZE C DWG. NO. 700-0408-00  
 SCALE NONE DO NOT SCALE DRAWING SHEET 1 OF 1

THIS DRAWING IS THE PROPERTY OF BIAMP SYSTEMS AND MUST BE RETURNED TO BIAMP SYSTEMS WITHIN 30 DAYS OF THE DATE OF ISSUANCE. IF YOU ARE NOT THE ORIGINAL PURCHASER OF THIS DRAWING, YOU MUST CONTACT BIAMP SYSTEMS TO OBTAIN A COPY. IF YOU ARE THE ORIGINAL PURCHASER, YOU MUST CONTACT BIAMP SYSTEMS TO OBTAIN A COPY. IF YOU ARE THE ORIGINAL PURCHASER, YOU MUST CONTACT BIAMP SYSTEMS TO OBTAIN A COPY.



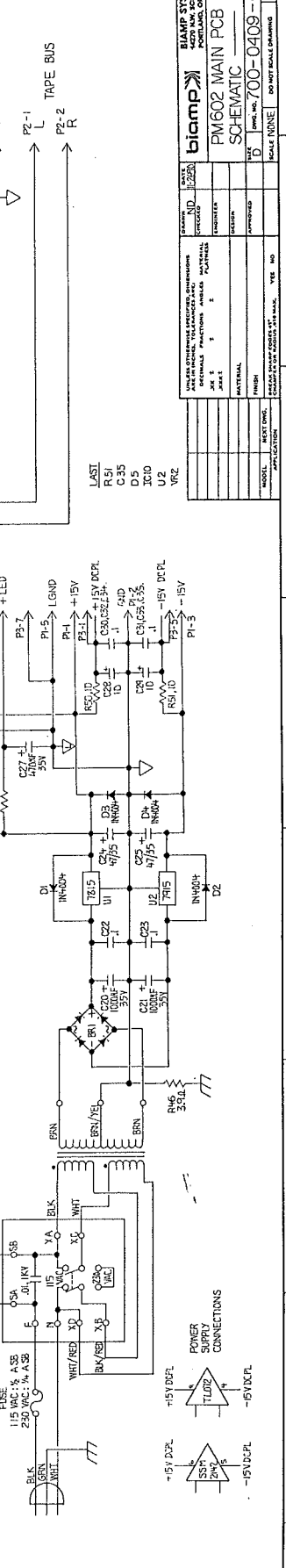
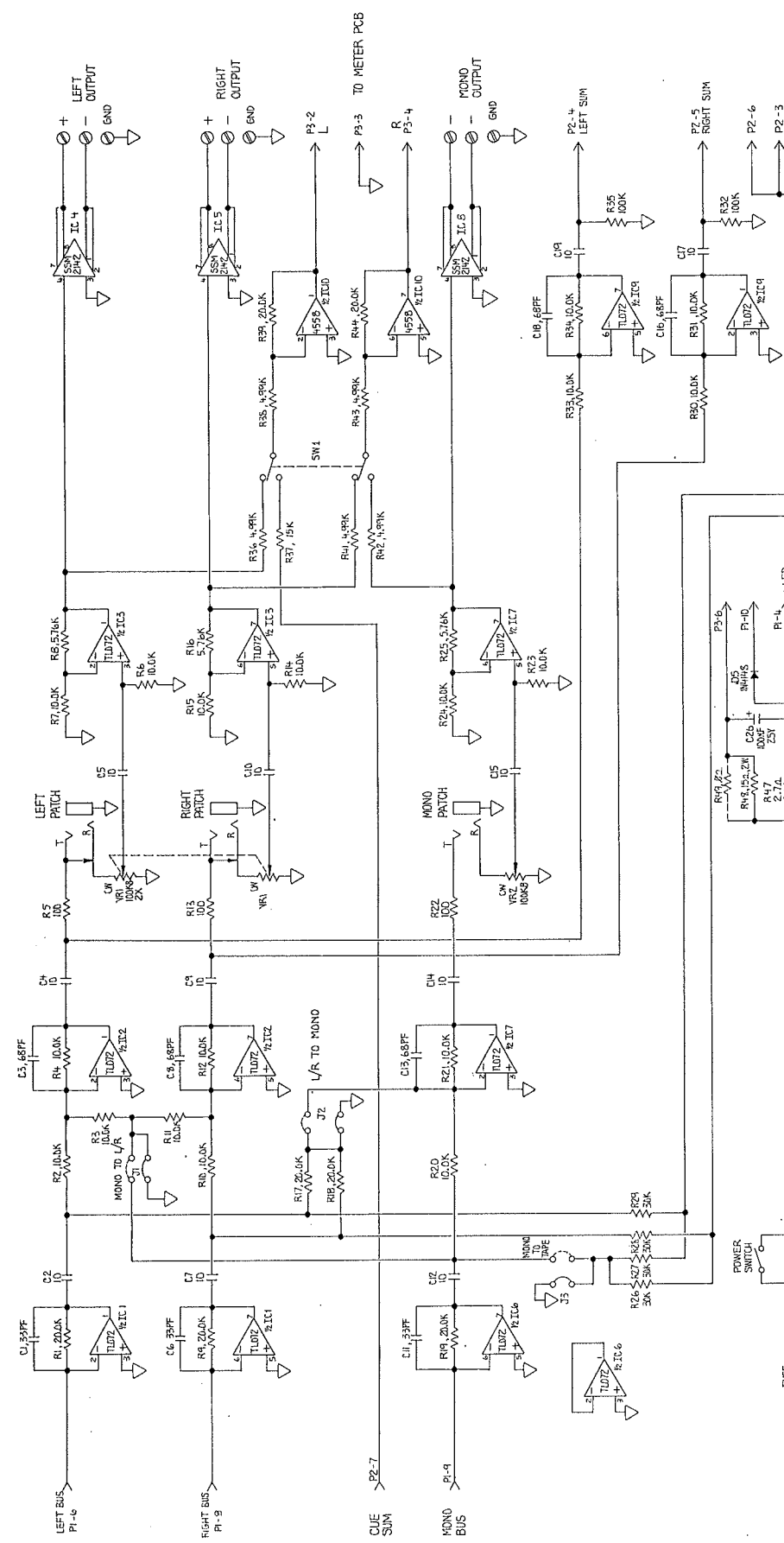
BIAMP SYSTEMS  
380-0408-00  
PM602 CUE PCB

DESCRIPTION	SIZE	QTY.
BIAMP SYSTEMS PM602 CUE PCB COMPONENT LAYOUT		
SCALE 2/1		4
DO NOT SCALE DRAWING		
SHEET 1 OF 1		

BIAMP SYSTEMS  
14270 N.W. Science Park Drive  
Portland, Oregon 97229  
(503) 641-7287

REV.	DATE	BY
1		
2		
3		
4		

This drawing is the property of Biamp Systems, Inc. and must be returned to the originator. It is to be used for the purpose of manufacturing only. It is not to be used for any other purpose. It is not to be reproduced, stored in a retrieval system, or transmitted in any form or by any means, electronic, mechanical, photocopying, recording, or by any information storage and retrieval system, without the prior written permission of Biamp Systems, Inc.

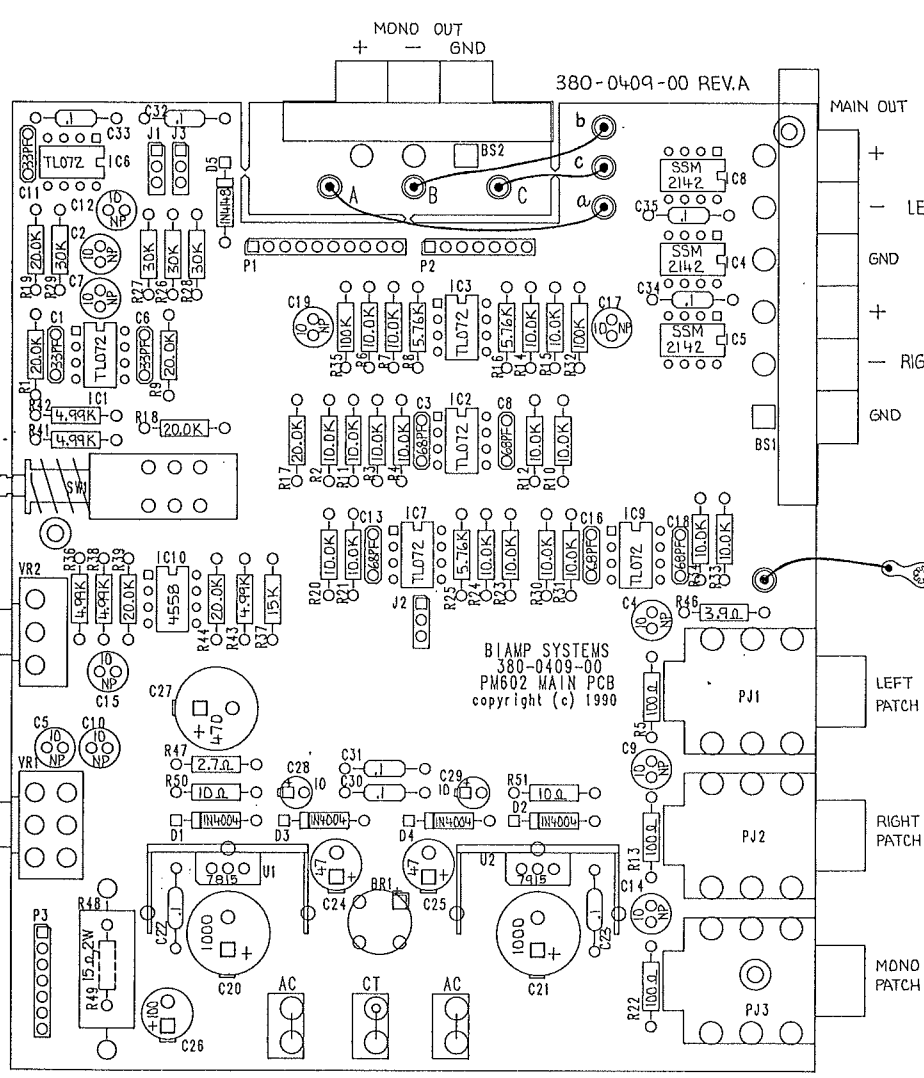
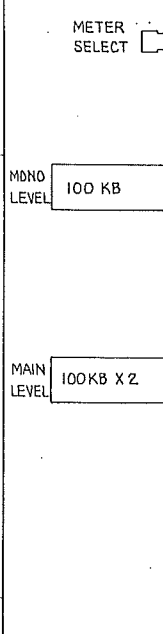


- LAST
- R 8
- C 35
- D 5
- IC 0
- U 2
- VP 2

REV. 107-91	SWAPPED LEFT + RIGHT SUM ENVS.	125411	ND
<b>biamp</b>			
PM602 MAIN PCB			
SCHEMATIC			
DATE	REV.	SCALE	NO.
BIAMP SYSTEMS, INC.			
PO BOX 1000			
POPLAR BLVD, DEERFIELD			
ILLINOIS, USA			
TEL: 630/399-1000			
FAX: 630/399-1001			
WWW.BIAMP.COM			
© 2000 BIAMP SYSTEMS, INC.			
ALL RIGHTS RESERVED			



REV.	E.C.O.	CHANGE	DATE	BY
A	1007-91	380-0409-00 REV.A PCB	1-25-91	ND



JUMPER OPTIONS			
MONO SIGNAL TO LEFT/RIGHT	J1		
LEFT/RIGHT SIGNAL TO MONO	J2		
MONO SIGNAL TO TAPE	J3		

DATE	1-25-91	DATE	1-25-91
DESIGNER	ND	DESIGNER	ND
CHECKED	ND	CHECKED	ND
APPROVED	ND	APPROVED	ND
MATERIAL		MATERIAL	
FINISH		FINISH	
BREAK SHARP EDGES 45°	YES	BREAK SHARP EDGES 45°	YES
EMPTIER ON RADIUS .015 MAX.		EMPTIER ON RADIUS .015 MAX.	
SCALE	Z/1	SCALE	Z/1
DO NOT SCALE DRAWING		DO NOT SCALE DRAWING	
SHEET	1	SHEET	1
OF	1	OF	1

**BIAMP SYSTEMS**  
**380-0409-00**  
**PM602 MAIN PCB**  
 copyright (c) 1990

BIAMP SYSTEMS  
 14270 N.W. Science Park Drive  
 Portland, Oregon 97229  
 (503) 641-7287

THIS DRAWING IS THE PROPERTY OF BIAMP SYSTEMS, AND PART OF A SERIES OF DRAWINGS THAT CONSTITUTE THE COMPLETE DRAWING SET FOR THE MANUFACTURE OF THE PRODUCT. IT IS NOT TO BE REPRODUCED OR TRANSMITTED IN ANY FORM OR BY ANY MEANS, ELECTRONIC OR MECHANICAL, INCLUDING PHOTOCOPYING, RECORDING, OR BY ANY INFORMATION STORAGE AND RETRIEVAL SYSTEM, WITHOUT PERMISSION IN WRITING FROM BIAMP SYSTEMS. THE INFORMATION CONTAINED HEREIN IS UNCLASSIFIED, AND NOT BE RELEASED TO THE PUBLIC.