

Quad Limiter

Schematic

B I A M P[®]

S Y S T E M S

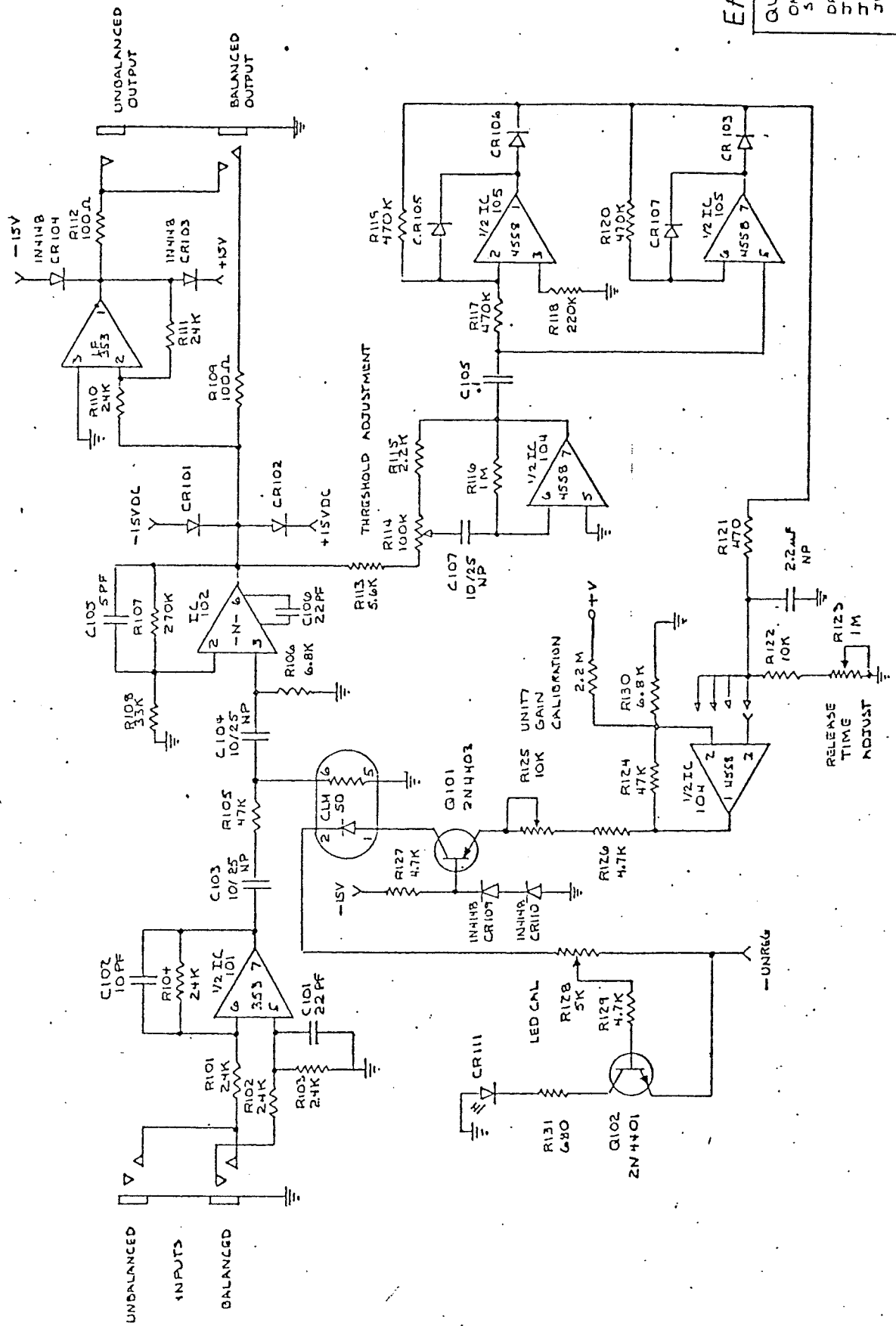
Test and Calibration of the Early Production Quad Limiter

1. Set all front panel controls to their MAX CW rotation.
Set all trim controls on the circuit board to the center
Of their rotation.
Set the DELAY control to its max CW position.
2. Adjust the generator output to -20DB.
Connect the generator to the unbalanced IN jack of
the channel under test.
Connect the AC Voltmeter & Scope to the OUT jack of
the channel under test.
3. Adjust RI25 for and output level of -20DB.
4. Re-adjust the generator output level to "0"DB. Rotate
The front panel threshold control to its MAX CCW
position. The output level should be between 11&15DB.
5. Set the threshold control to the "0" position. The out-
Put level should be approx. 3DB+or - 1DB. Adjust
R128 so that the front panel LED just begins to come
on.
6. Test all balanced inputs & outputs.

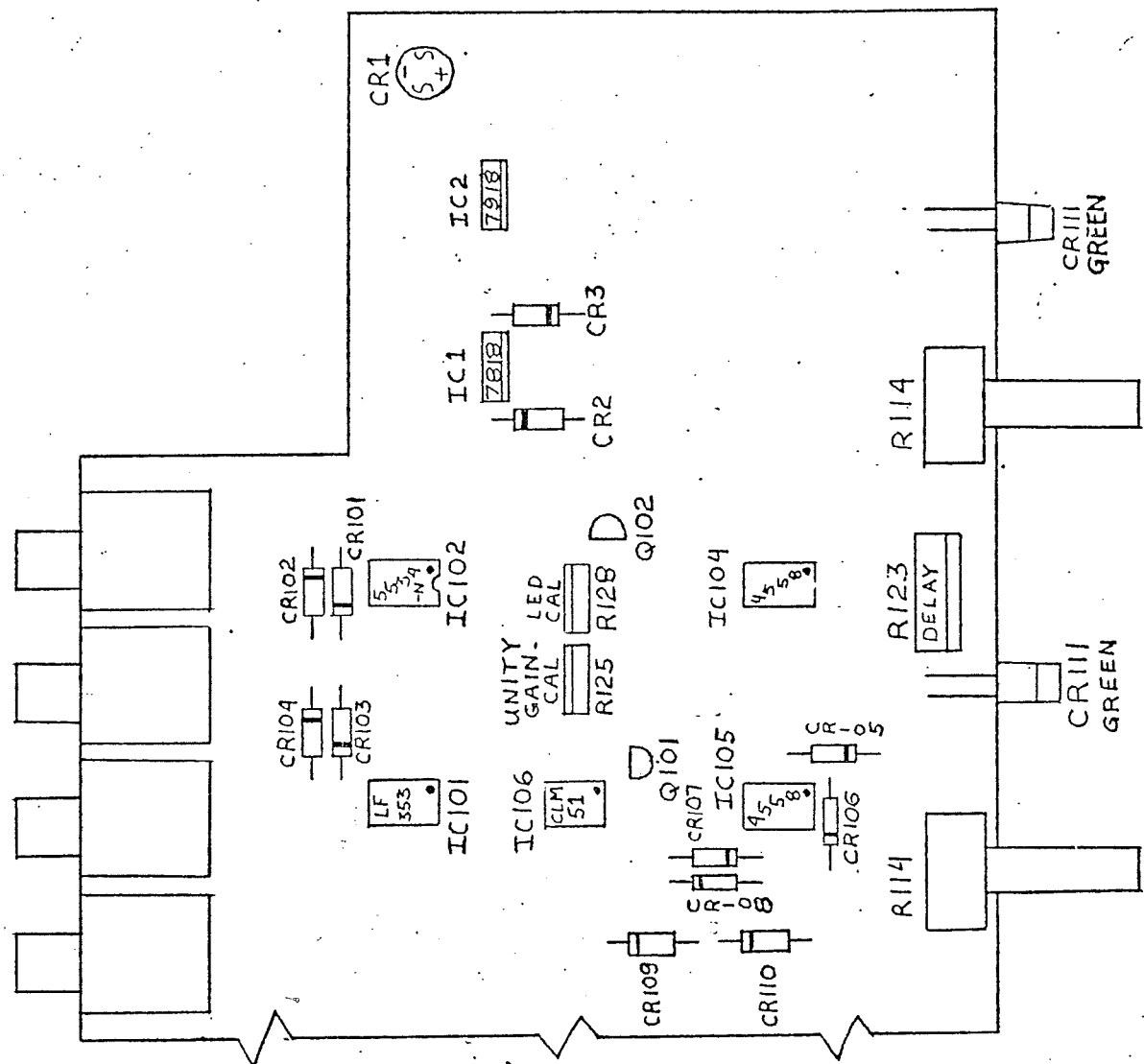
Test Procedure for Quad Limiter

1. Set front panel controls to +18 db.
2. With a 0dBm input adjust new pot for unity gain.
3. Rotate front panel threshold control fully counterclockwise and adjust the 10k pot for -17db output.
4. Repeat steps 2 & 3.
5. Adjust front panel control for -3db output.
6. Adjust LED cal pot so LED just comes on.
7. Check output level with threshold control set at -10 dB. Level should be between -6dB & -8dB.

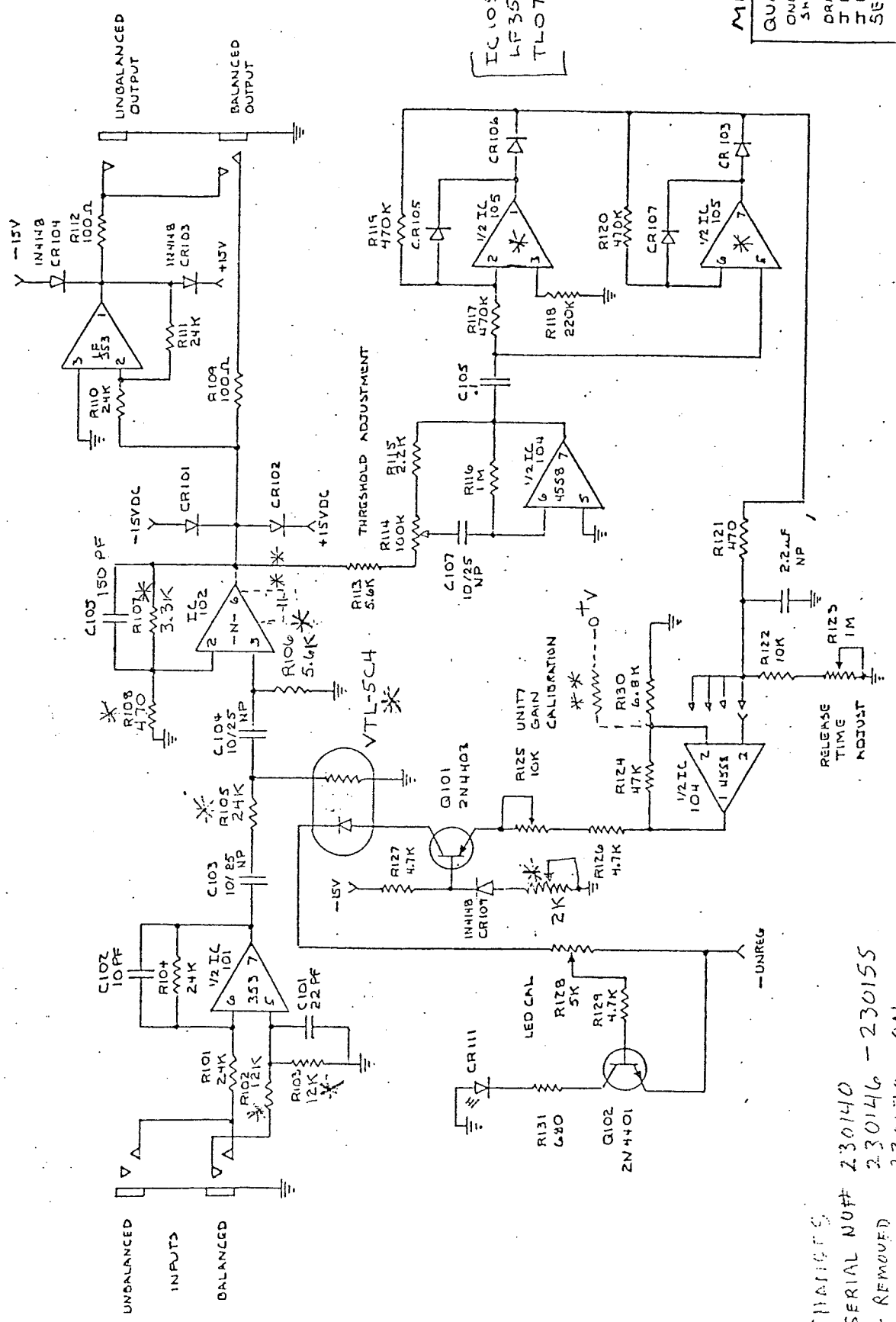
EARLY
 QUAD LIMITER
 ONE CHANNEL
 SHOWN
 DRAWN BY
 J. PSYTON
 J. DUNCAN
 JULY 17, 1979



QUAD LIMITER
 DRAWN BY
 TOM HENRICKSEN
 5/8/80



CHANNEL 4 SHOWN
 PLUS POWER SUPPLY
 ALL OTHER CHANNELS
 ARE THE SAME.

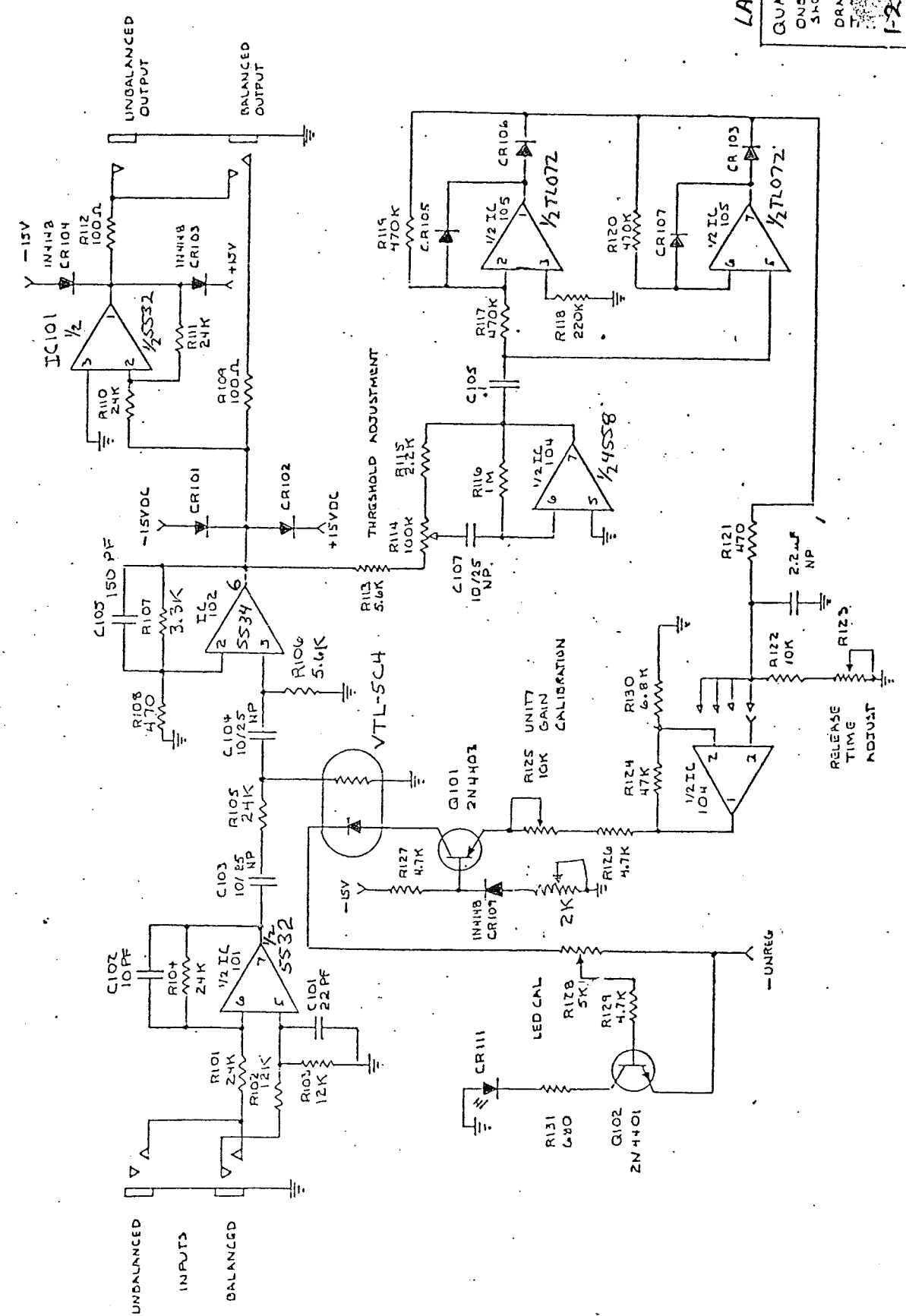


IC 105
LF353
TL072

MIDDLE
QUAD LIMITER
ONE CHANNEL
SHOWN
DRAWN BY
J. P. YOUNG
J. DUNCAN
SEPT 10, 1981

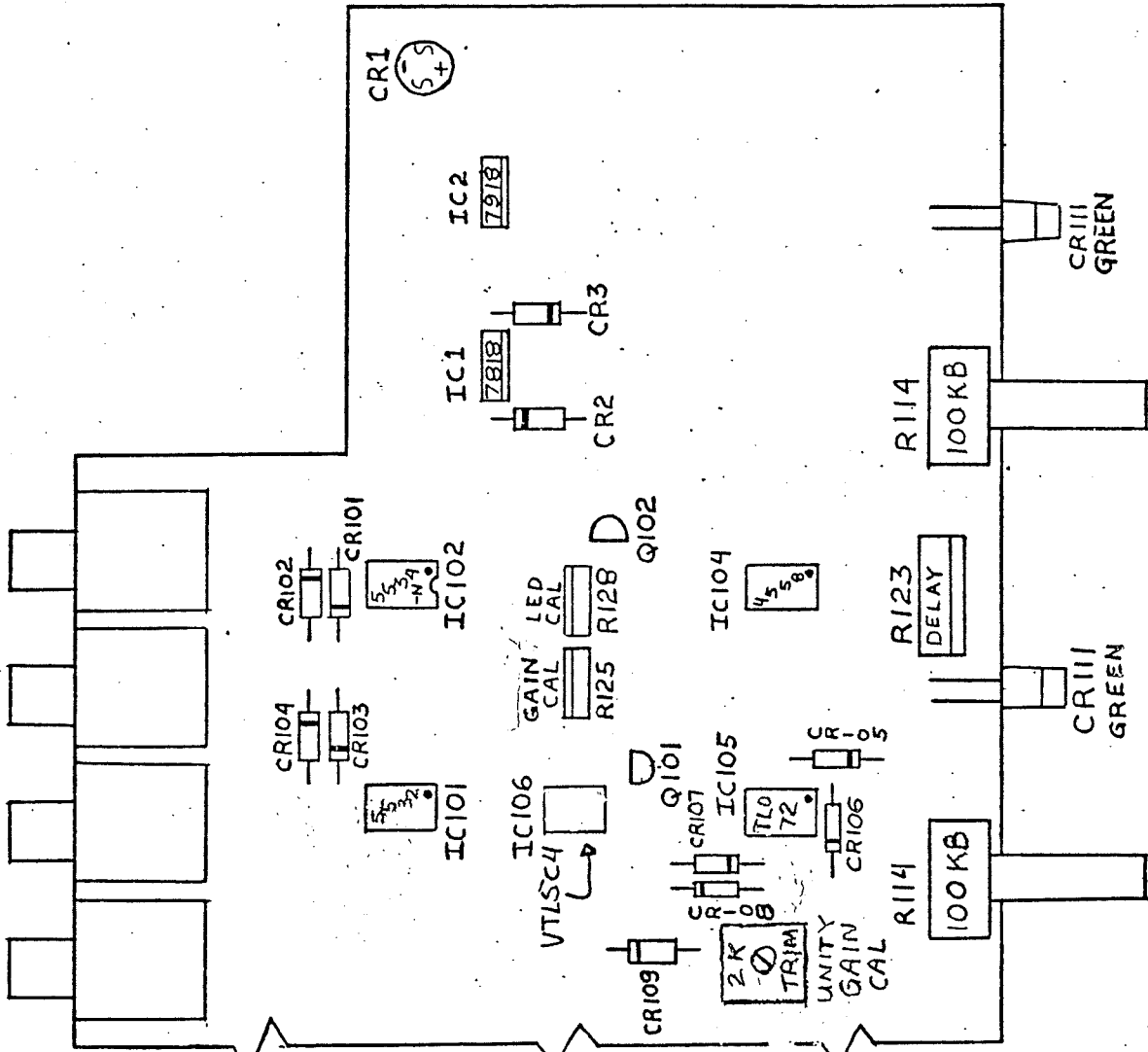
* CHANGES
SERIAL NOFF 230140
230146 - 230155
** REMOVED
230170 - ON

IC 101 = NE 5532
 IC 102 = BIAMP N
 IC 104 = 4558
 IC 105 = TL072

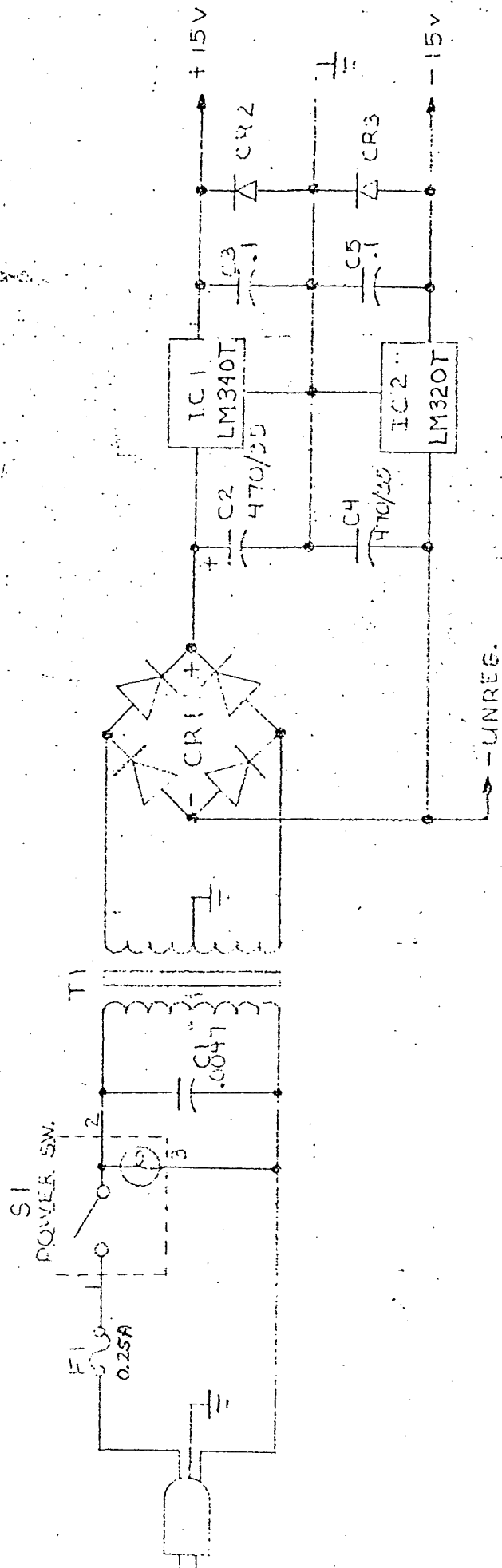


LATE
 QUAD LIMITER
 ONE CHANNEL
 DRAWN BY
 T. SYTON
 1-21-82

QUAD LIMITER
 DRAWN BY
 TOM HENRICKSEN
 5/8/80
 REVISED
 9/10/82



CHANNEL 4 SHOWN
 PLUS POWER SUPPLY
 ALL OTHER CHANNELS
 ARE THE SAME.



QUAD LIMITER
 POWER SUPPLY
 DRAWN BY J. PEYTON
 APRIL 25, 1979