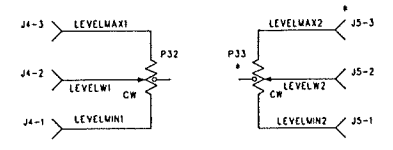
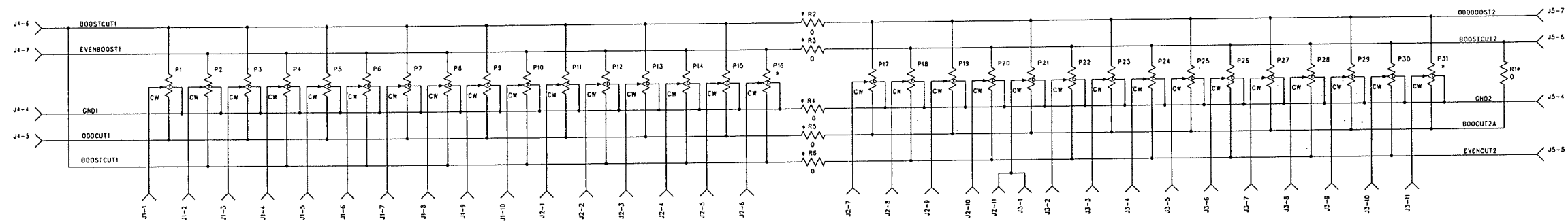


REVISION RECORD				
REV	ECO #	DESCRIPTION:	DATE:	BY:



* NOTES:

- | | |
|---|--|
| <p>mEQ152:</p> <ol style="list-style-type: none"> 1. REMOVE R2, R3, R4, R5, R6 (0 OHM RESISTORS) 2. REMOVE P16 3. INSTALL J5 4. INSTALL SPLIT HEADER J2 PINS 1-5 AND PINS 7-11 5. INSTALL 10-PIN HEADER J3 PINS 2-11 | <p>mEQ301:</p> <ol style="list-style-type: none"> 1. REMOVE R1 (0 OHM RESISTOR) 2. REMOVE P31, P33 3. REMOVE J5 4. INSTALL 10-PIN HEADER J2 PINS 1-10 5. INSTALL 10-PIN HEADER J3 PINS 1-10 |
|---|--|

BIAMP SYSTEMS, INC. 1430 NW SCIENCE PARK DRIVE
PORTLAND, OR 97228

TITLE: Micro EQ Fader Board

USED ON:	COPY DATE STAMP:	SIZE: D	DRAWING NO: 700.0277.00 (mEQ152) 700.0285.00 (mEQ301)	REV: -
DRAWN: DB	DATED:	SCALE:	SHEET: 1 OF 1	
APPROVED:	DATED:			

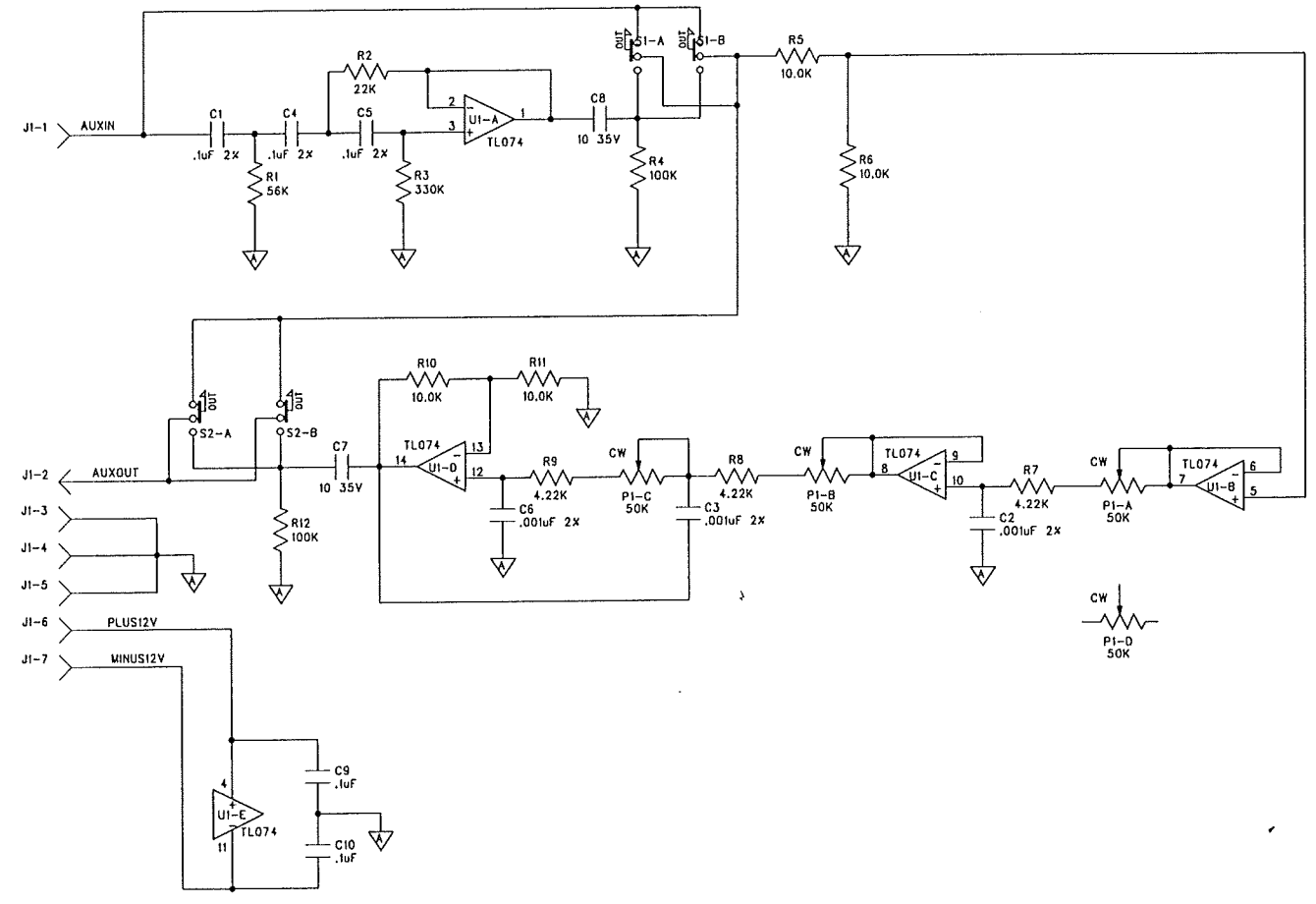
1 2 3 4

REVISION RECORD				
REV	ECO #	DESCRIPTION:	DATE:	BY:

A

B

C



BIAMP SYSTEMS, INC. 14130 NW SCIENCE PARK DRIVE
PORTLAND, OR 97229

TITLE: EQ301 Aux PCB

USED ON:	COPY DATE STAMP:	SIZE: C	DRAWING NO: 700.0289.00	REV: -
DRAWN: DB	DATED:	SCALE:	SHEET: 1 OF 1	
APPROVED:	DATED:			

1 2 3 4 5 6

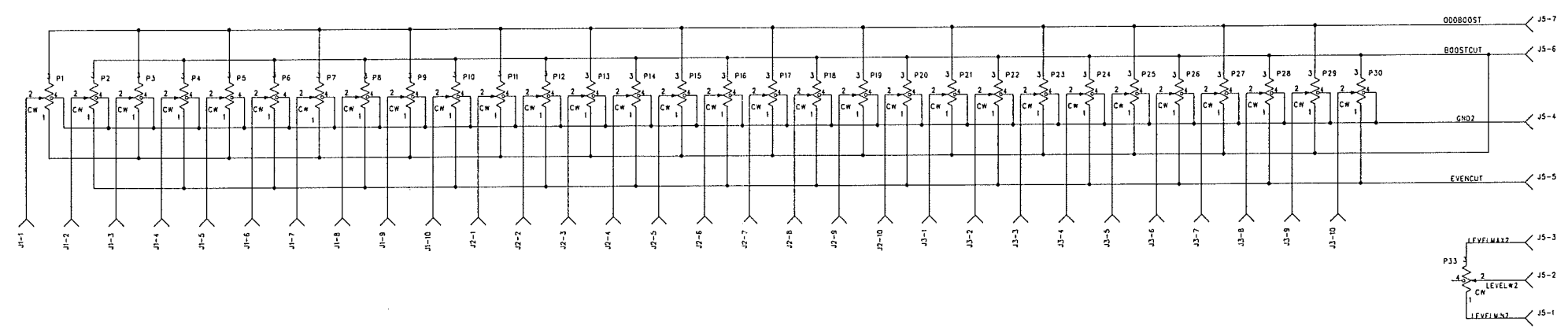
REVISION RECORD				
REV	ECO #	DESCRIPTION:	DATE:	BY:

A

B

C

D

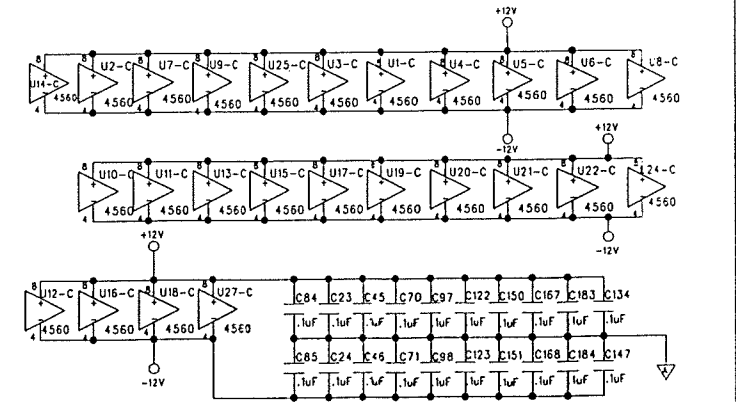
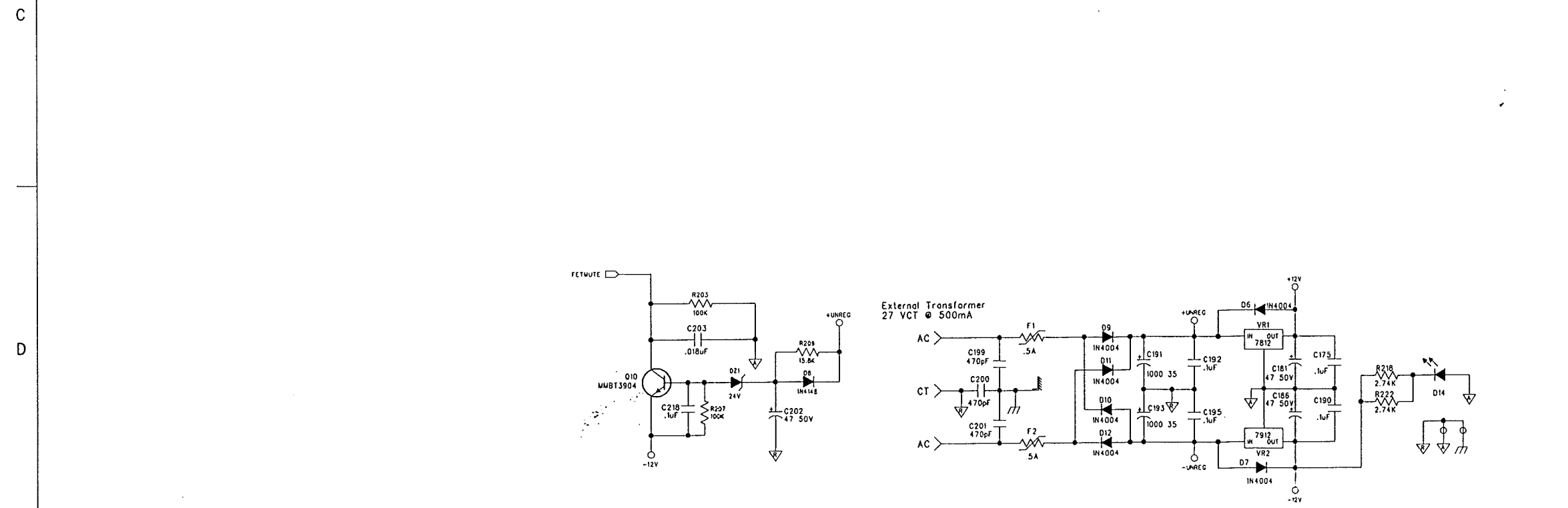
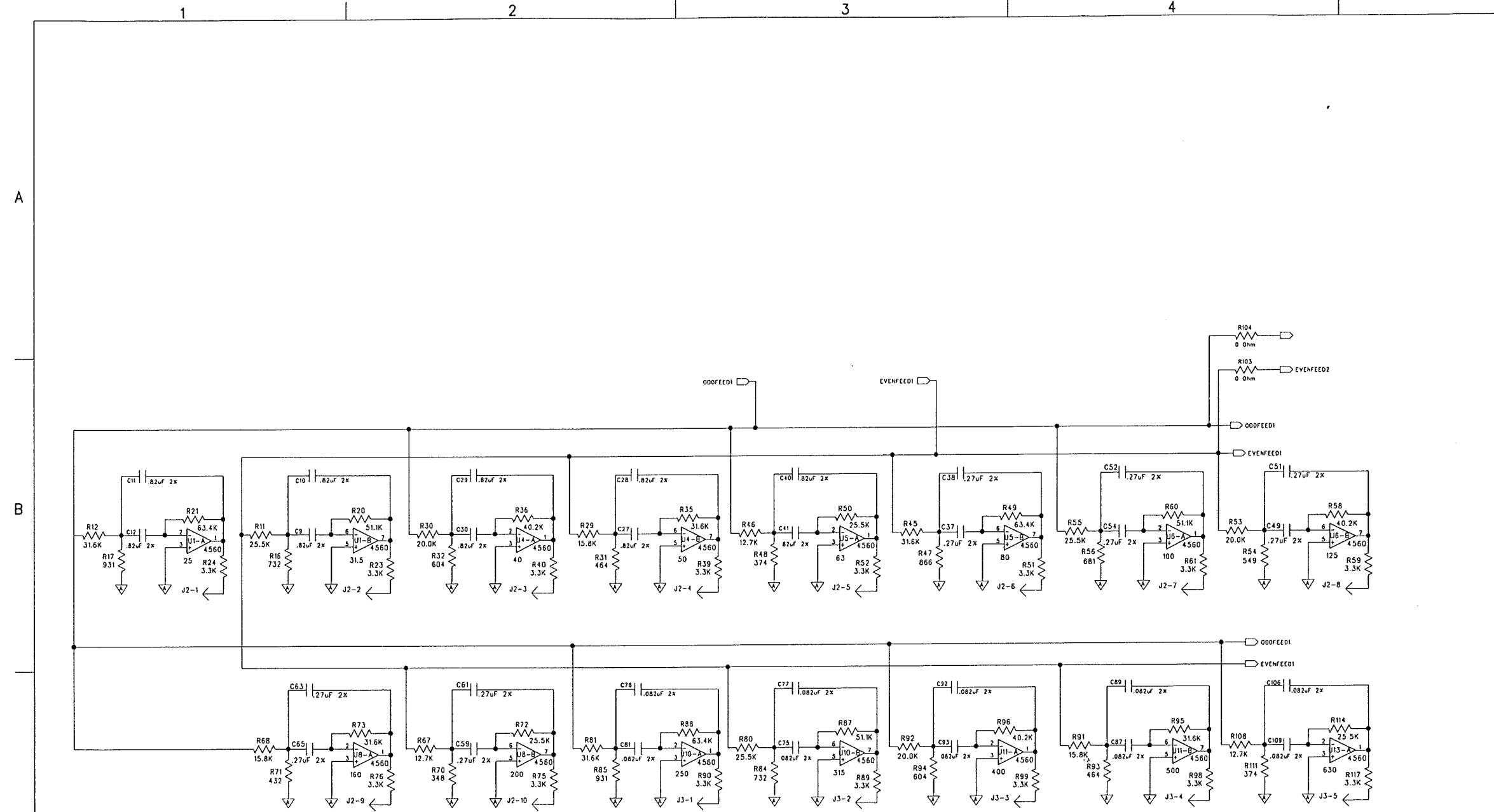


BIAMP SYSTEMS, INC. 14132 NW SCIENCE PARK DRIVE PORTLAND, OR 97229

SEQ301 Fader Board

USED ON:	DATE:	COPY DATE STAMP:	SIZE:	DRAWING NO:	REV:
DRAWN:	DATED:			700 0288.00	
APPROVED:	DATED:	SCALE:	SHEET: 1 OF 1		

REVISION RECORD				
REV	ECO	DESCRIPTION	DATE	BY

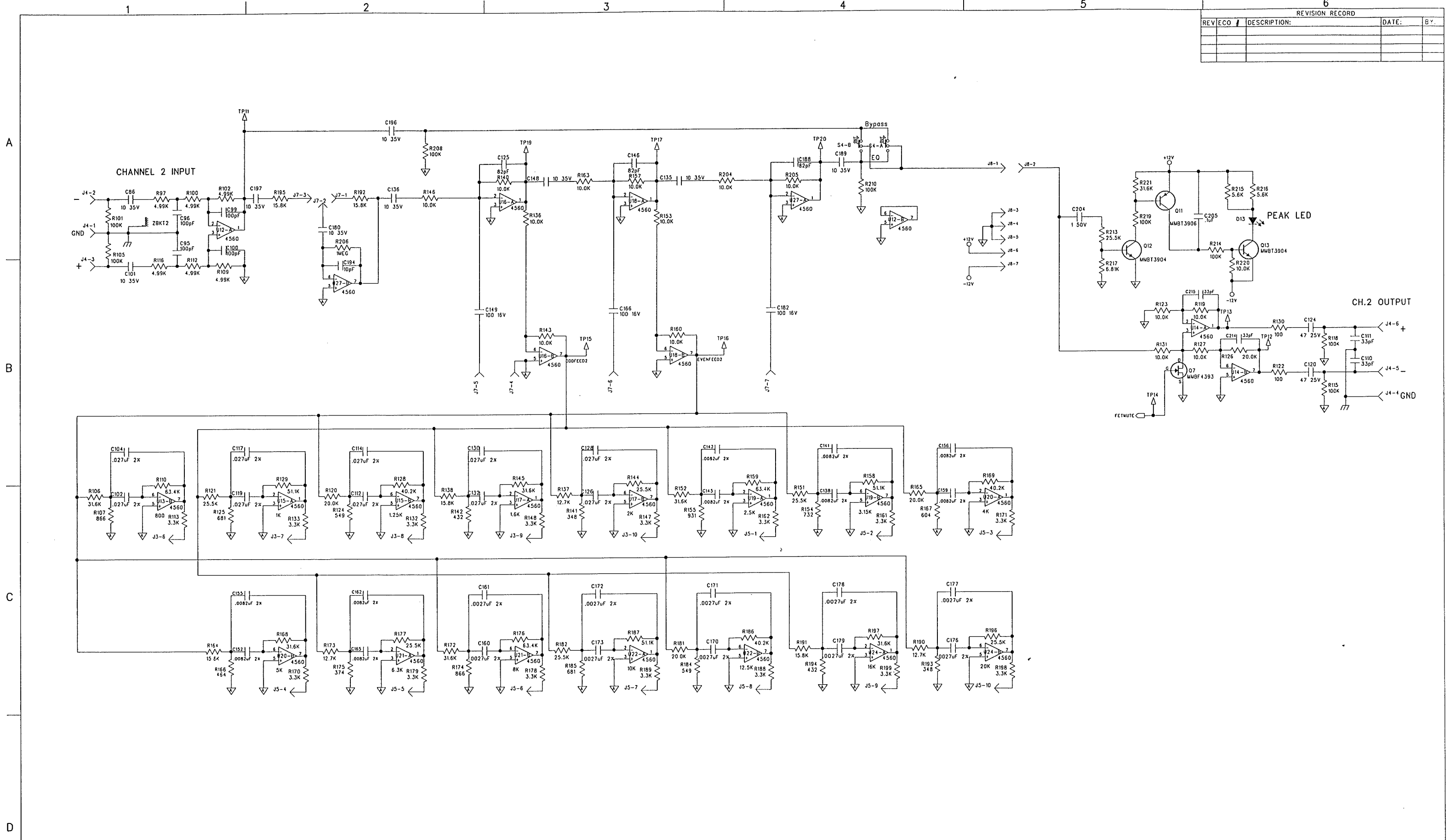


BIAMP SYSTEMS, INC. 1130 NW SCIENCE PARK DRIVE PORTLAND, OR 97229

TITLE: SEQ301 Main PCB

USED ON:	COPY DATE STAMP:	SIZE:	DRAWING NO:	REV
DRAWN: DB	DATED:	D	700-0287-00	-
APPROVED:	DATED:	SCALE:	SHEET: 2 OF 2	

REVISION RECORD				
REV	ECO	DESCRIPTION	DATE	BY



BIAMP SYSTEMS, INC. 14130 NW SCIENCE PARK DRIVE PORTLAND, OR 97229

TITLE: SEQ301 Main PCB

USED ON:	COPY DATE STAMP:	SIZE: D	DRAWING NO: 700-0287-00	REV: -
DRAWN: DB	DATED:	SCALE:	SHEET: 1 OF 2	

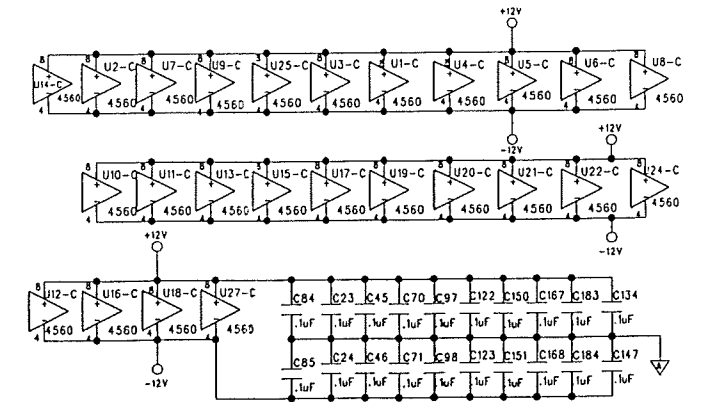
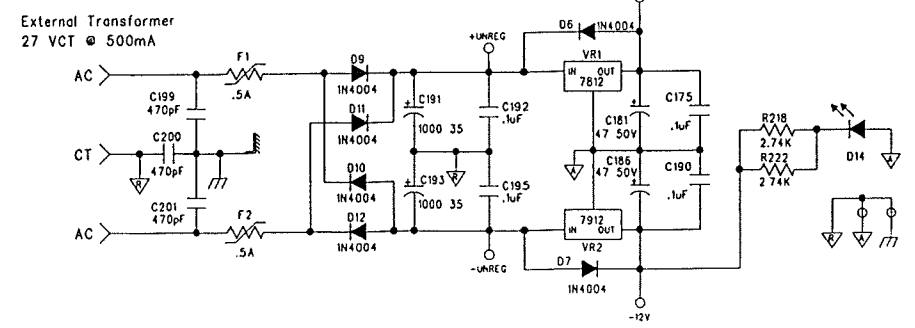
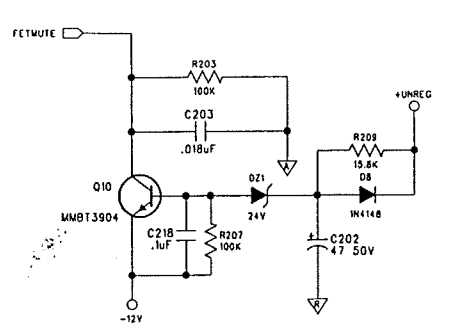
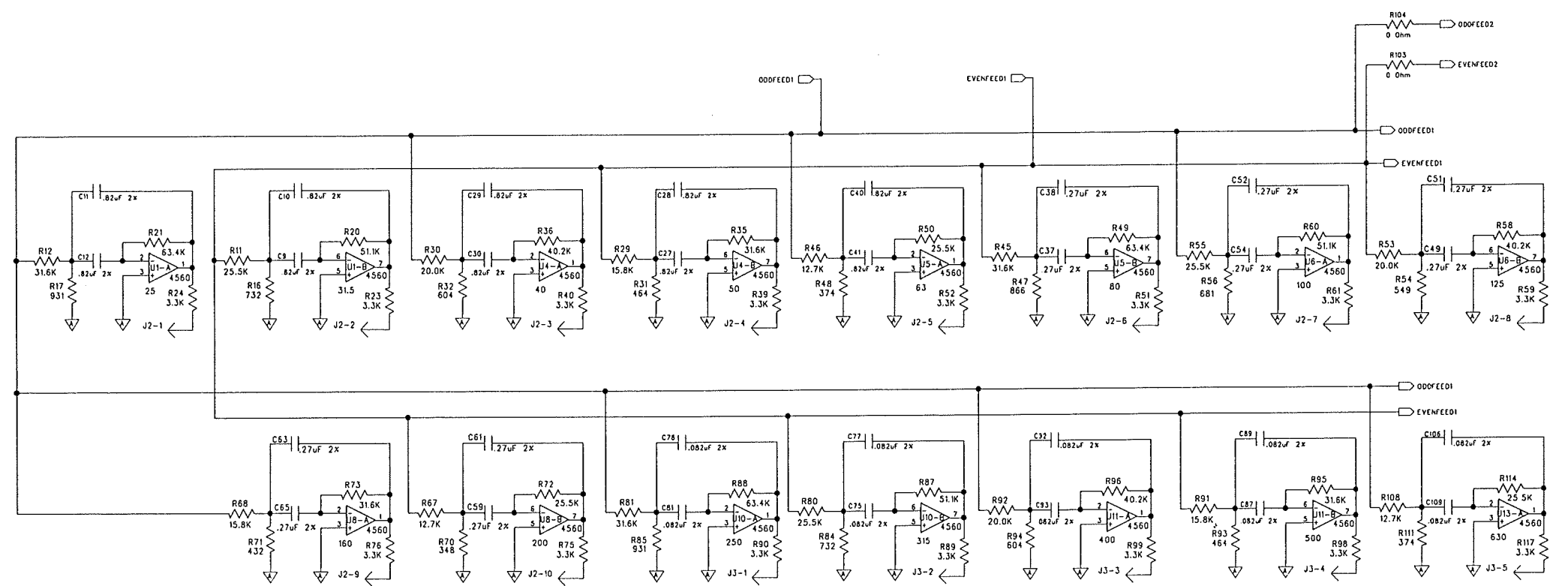
REVISION RECORD				DATE:	BY:
REV	ECO	DESCRIPTION:			

A

B

C

D

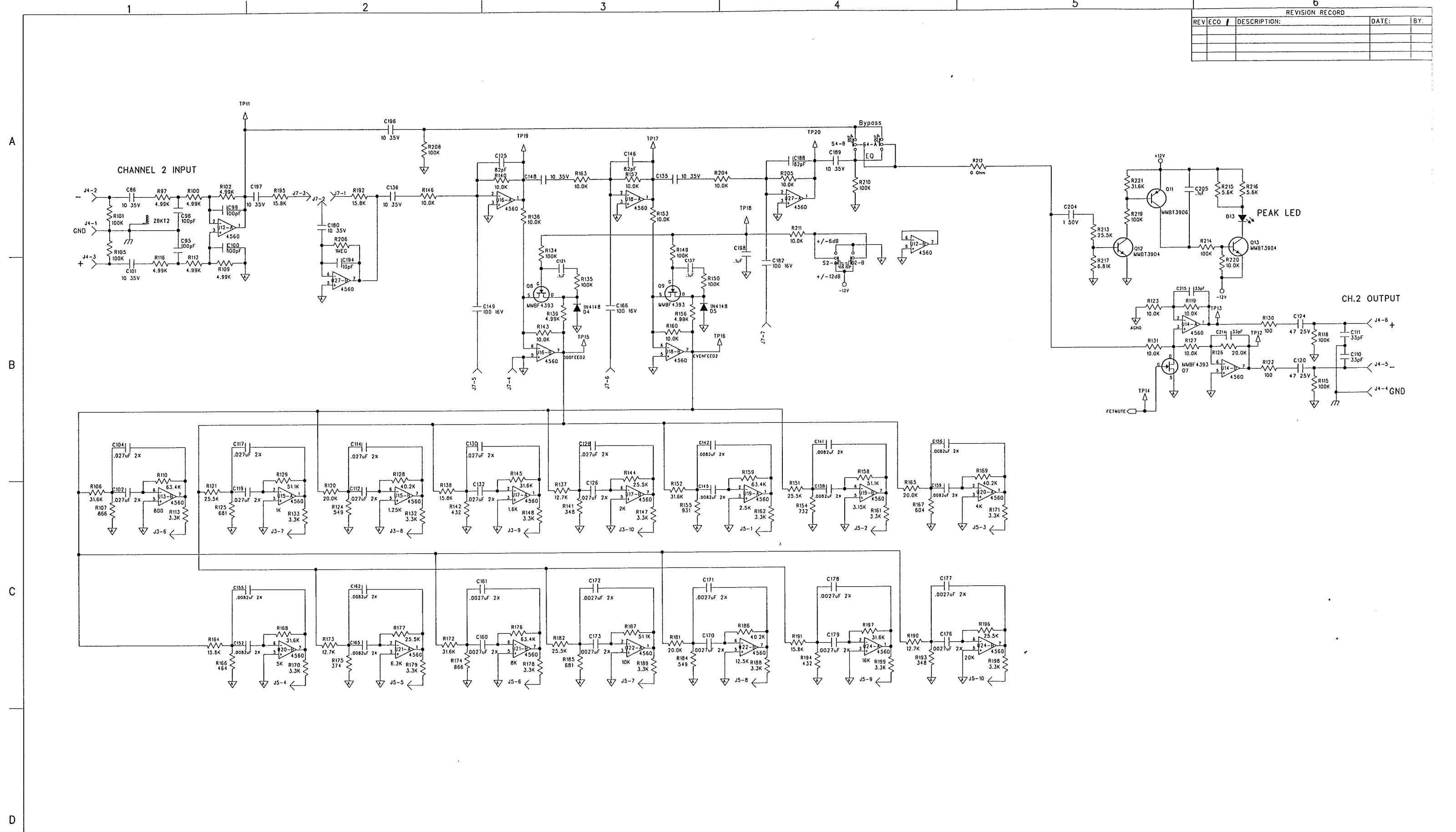


BIAMP SYSTEMS, INC. 14130 NW SCIENCE PARK DRIVE PORTLAND, OR 97229

MicroEQ301 Main PCB

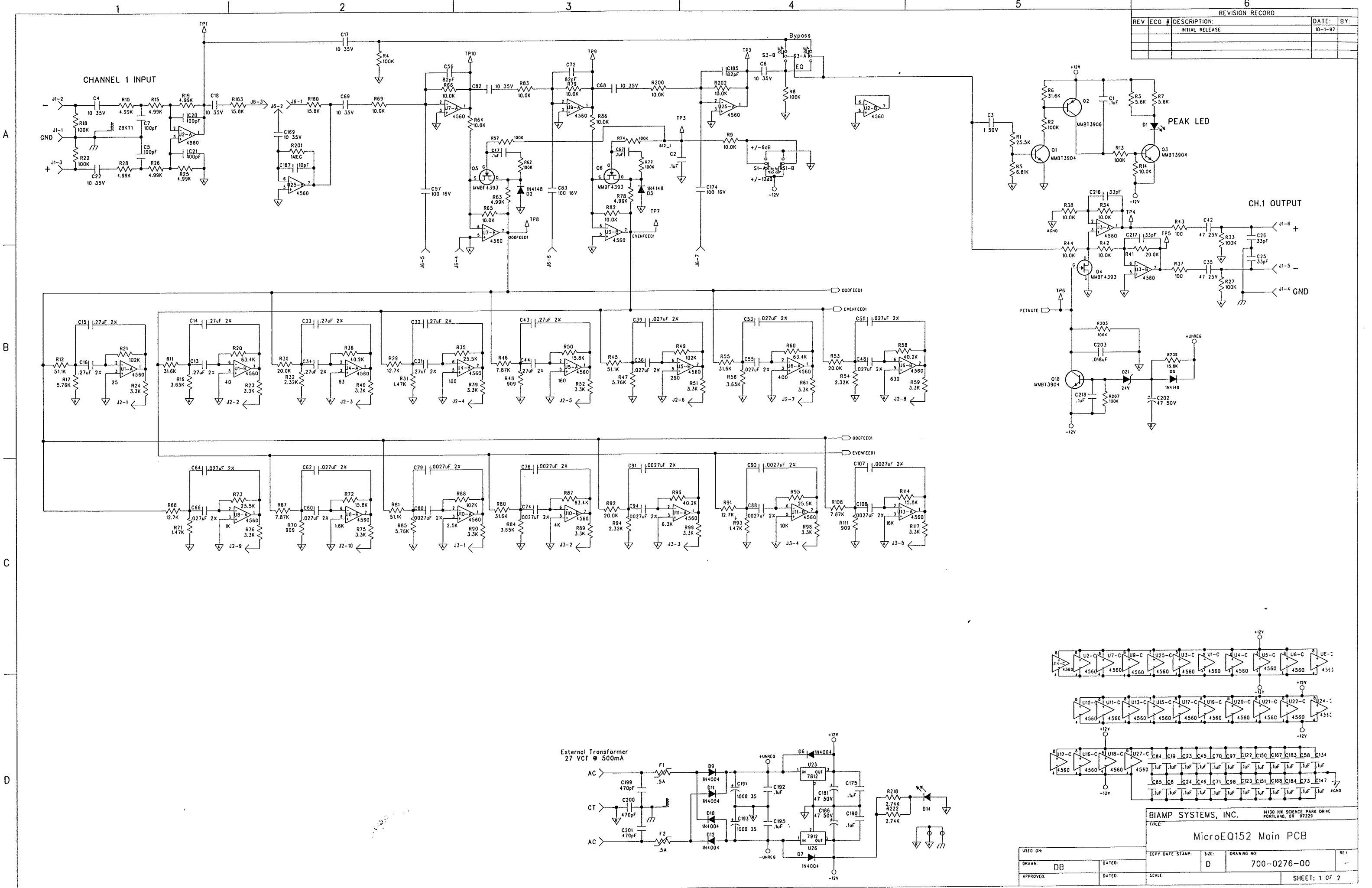
USED ON:	COPY DATE STAMP:	SIZE:	DRAWING NO:	REV:
DRAWN: DB	DATED:	D	700-0284-00	-
APPROVED:	DATED:	SCALE:	SHEET: 2 OF 2	

REVISION RECORD				
REV	ECO	DESCRIPTION:	DATE:	BY:



BIAMP SYSTEMS, INC.		1430 NW SCIENCE PARK DRIVE PORTLAND, OR 97229	
TITLE: MicroEQ301 Main PCB			
USED ON:	COPY DATE STAMP:	SIZE: D	DRAWING NO: 700-0284-00
DRAWN: DB	DATED:	SCALE:	SHEET: 1 OF 2
APPROVED:	DATED:		

REVISION RECORD				DATE:	BY:
REV	ECO #	DESCRIPTION:		10-1-97	
		INITIAL RELEASE			

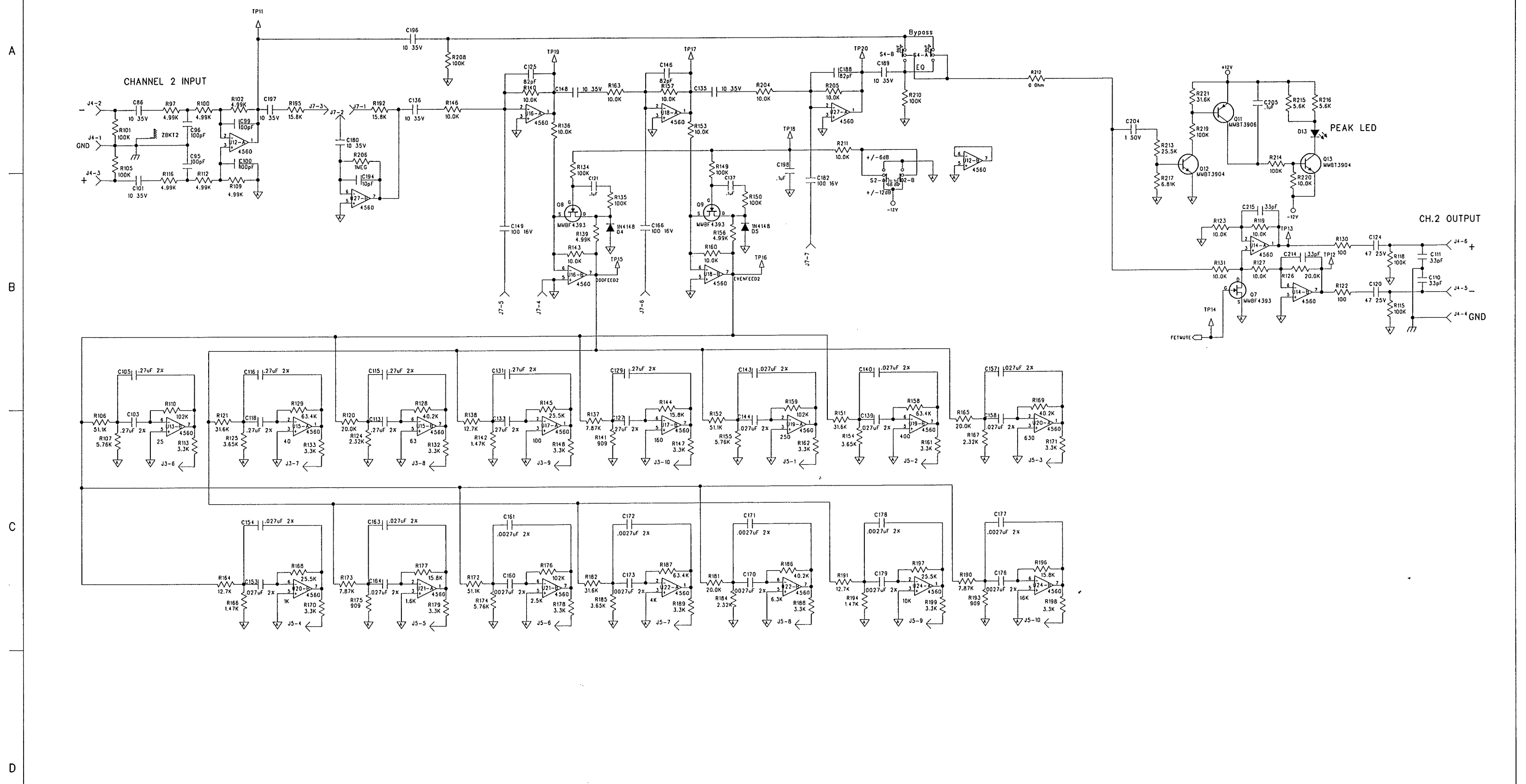


BIAMP SYSTEMS, INC. 1130 NW SCIENCE PARK DRIVE PORTLAND, OR 97229

TITLE: MicroEQ152 Main PCB

USED ON:	COPY DATE STAMP:	SIZE:	DRAWING NO:	REV:
DRAWN: DB	DATED:	D	700-0276-00	-
APPROVED:	DATED:	SCALE:	SHEET: 1 OF 2	

REVISION RECORD				
REV	ECO #	DESCRIPTION	DATE	BY



BIAMP SYSTEMS, INC. 14130 NW SCIENCE PARK DRIVE
 PORTLAND, OR 97229

MicroEQ152 Main PCB

USED ON:	COPY DATE STAMP:	SIZE:	DRAWING NO.:	REV.:
DRAWN: DB	DATED:	D	700-0276-00	-
APPROVED:	DATED:	SCALE:	SHEET: 2 OF 2	