

SPM 522D

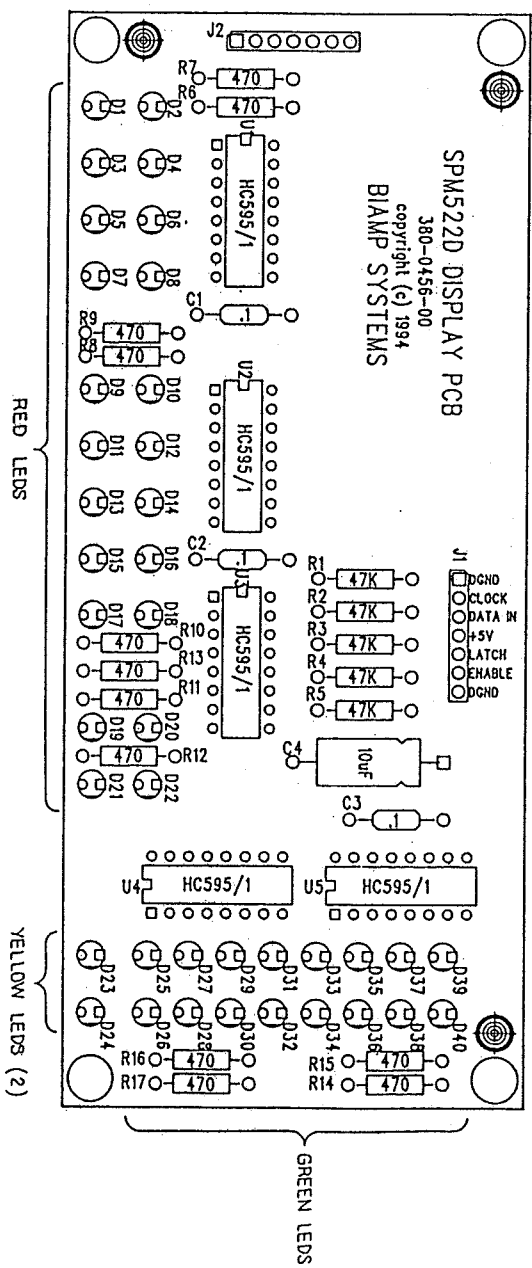
Schematic

B I A M P[®]

S Y S T E M S

10074 SW Arctic Drive Beaverton, OR 97005 503-641-7287

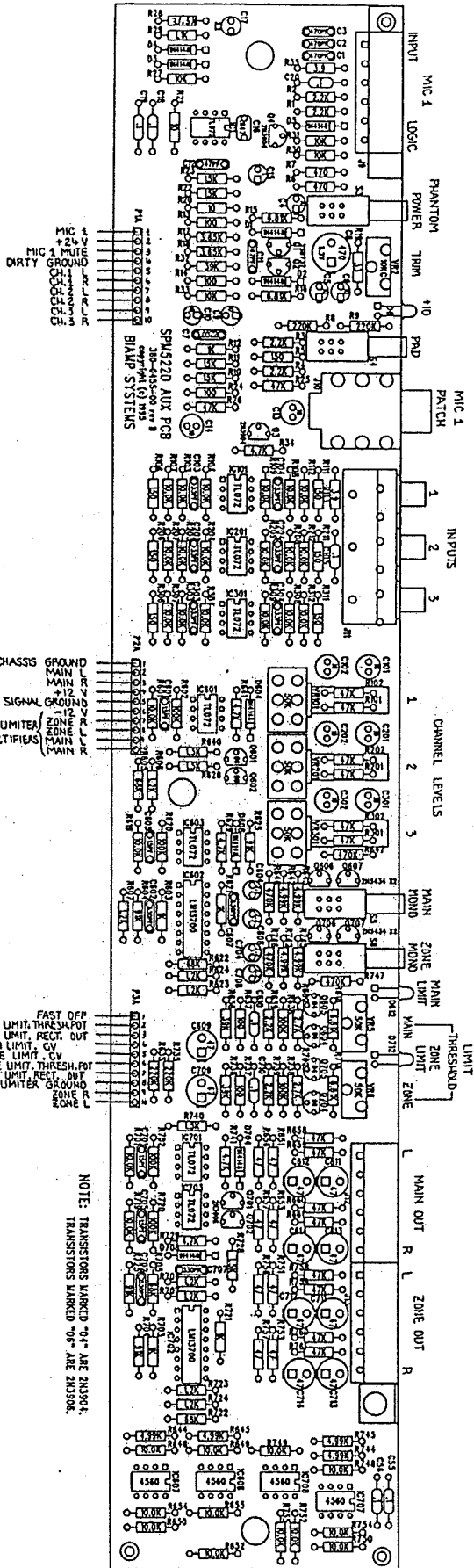
THE DRAWING IS THE PROPERTY OF BIAMP SYSTEMS, INC. AND NOT BE REPRODUCED, COPIED, OR TRANSMITTED IN ANY FORM OR BY ANY MEANS, ELECTRONIC OR MECHANICAL, INCLUDING PHOTOCOPYING, RECORDING, OR BY ANY INFORMATION STORAGE AND RETRIEVAL SYSTEM. THE DESIGN AND CONSTRUCTION OF THE PRODUCT IS THE PROPERTY OF BIAMP SYSTEMS, INC. AND NOT BE REPRODUCED, COPIED, OR TRANSMITTED IN ANY FORM OR BY ANY MEANS, ELECTRONIC OR MECHANICAL, INCLUDING PHOTOCOPYING, RECORDING, OR BY ANY INFORMATION STORAGE AND RETRIEVAL SYSTEM.



BIAMP SYSTEMS
14130 N.W. Science Park Drive
Portland, Oregon 97229
(503) 641-7287

ITEM	PART NO.	DESCRIPTION	SIZE	QTY.
UNLESS OTHERWISE SPECIFIED, DIMENSIONS ARE IN INCHES, TOLERANCES ARE DECIMALS, FRACTIONS, ANGLES MATERIAL FINISHES				
DATE	BY	DESIGN	DATE	
1/11/95	DMC	DESIGN	1/11/95	
SPM522D DISPLAY PCB				
COMPONE -AYOUT				
DATE	BY	APPROVED	DATE	
1/11/95	DMC	DMC	1/11/95	
BIAMP SYSTEMS				
14130 N.W. Science Park Drive				
Portland, Oregon 97229				
(503) 641-7287				

JAN 12 1995



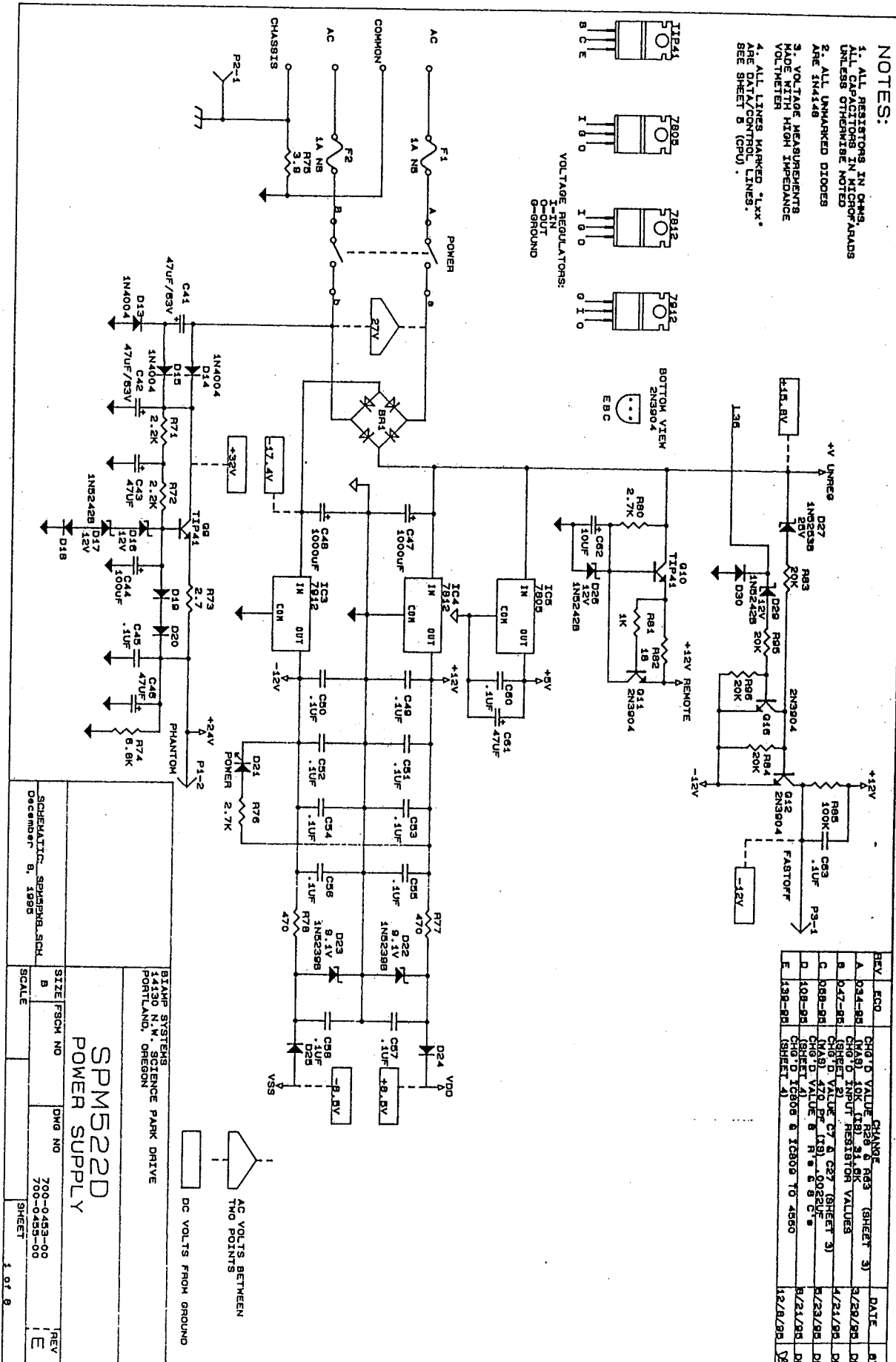
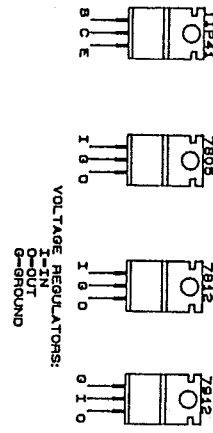
REV.	DATE	DESCRIPTION
A	03-1-95	CHG'D VALUE R28 WAS DOK IS 316K 320-95
B	04-7-95	CHG'D CH1-2 RES VALUES
C	01-0-95	MOVED C604 & C608
D	06-8-95	CHG'D VALUE C7
E	11-7-95	REDO REV 'A' - UPRATE PRINT

DESIGNED BY	blampk
DATE	12/15/94
APP'D BY	CC
CHK'D BY	SF.
TESTED BY	
ASSEMBLED BY	
DATE	

blampk SYSTEMS, INC.
4075 N.W. SCIENCE PARK I
PORTLAND, OR 97229
PHONE: 503-701-0455-00

NOTES:

1. ALL RESISTORS IN OHMS UNLESS OTHERWISE NOTED
2. ALL UNMARKED DIODES ARE 1N4148
3. VOLTAGE MEASUREMENTS MADE WITH HIGH IMPEDANCE VOLTMETER
4. ALL LINES MARKED "Lxx" ARE DATA/CONTROL LINES. SEE SHEET B (CPU).



REV	ECO	CHANGE	DATE	BY
A	034-95	CHG'D VALUE R28 & R33 (SHEET 3)	9/28/95	DB
B	047-95	CHG'D 10K (R1) 51.8K RESISTOR VALUES (SHEET 2)	4/21/96	DB
C	088-95	CHG'D VALUE C7 & C27 (SHEET 3)	9/23/95	DB
D	108-95	CHG'D VALUE R1 (R1) .002UF	9/21/95	DB
E	138-95	CHG'D VALUE R1 (R1) .002UF	12/8/95	DB

BIAMP SYSTEMS
14130 N.W. SCIENCE PARK DRIVE
PORTLAND, OREGON

SPM522D
POWER SUPPLY

DC VOLTS FROM GROUND

AC VOLTS BETWEEN TWO POINTS

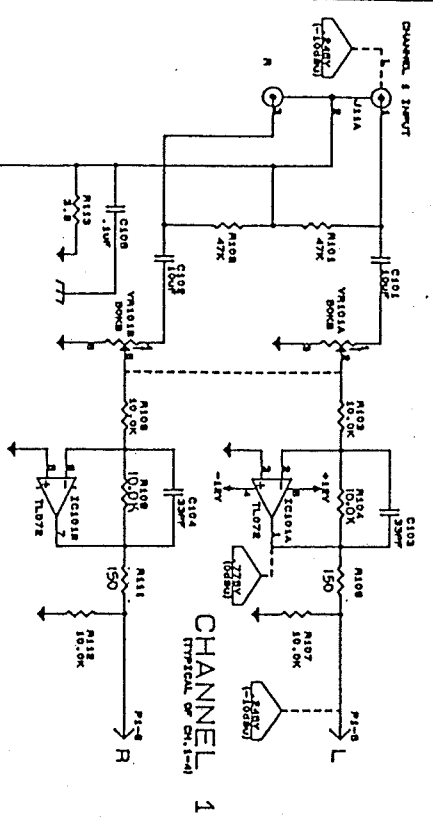
SIZE FROM NO. 1
SCALE

DMG NO. 700-0453-00
700-0455-00

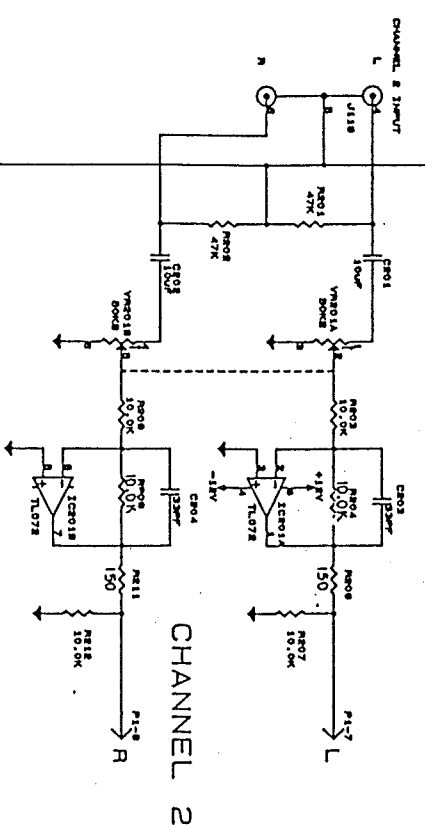
REV 1 E

DATE December 8, 1995

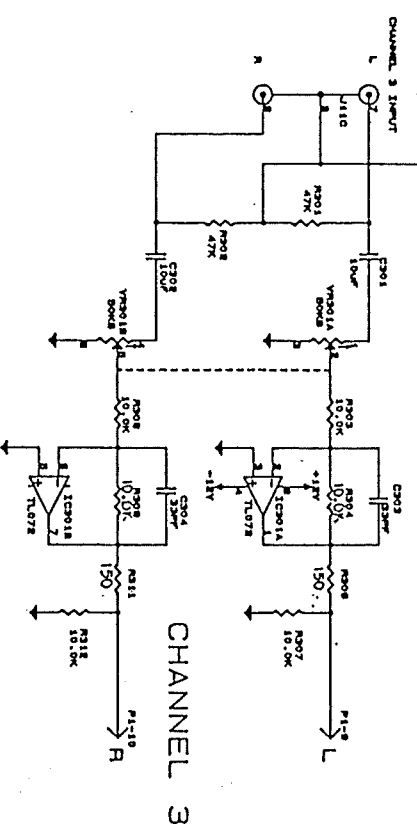
SHEET 1 OF 8



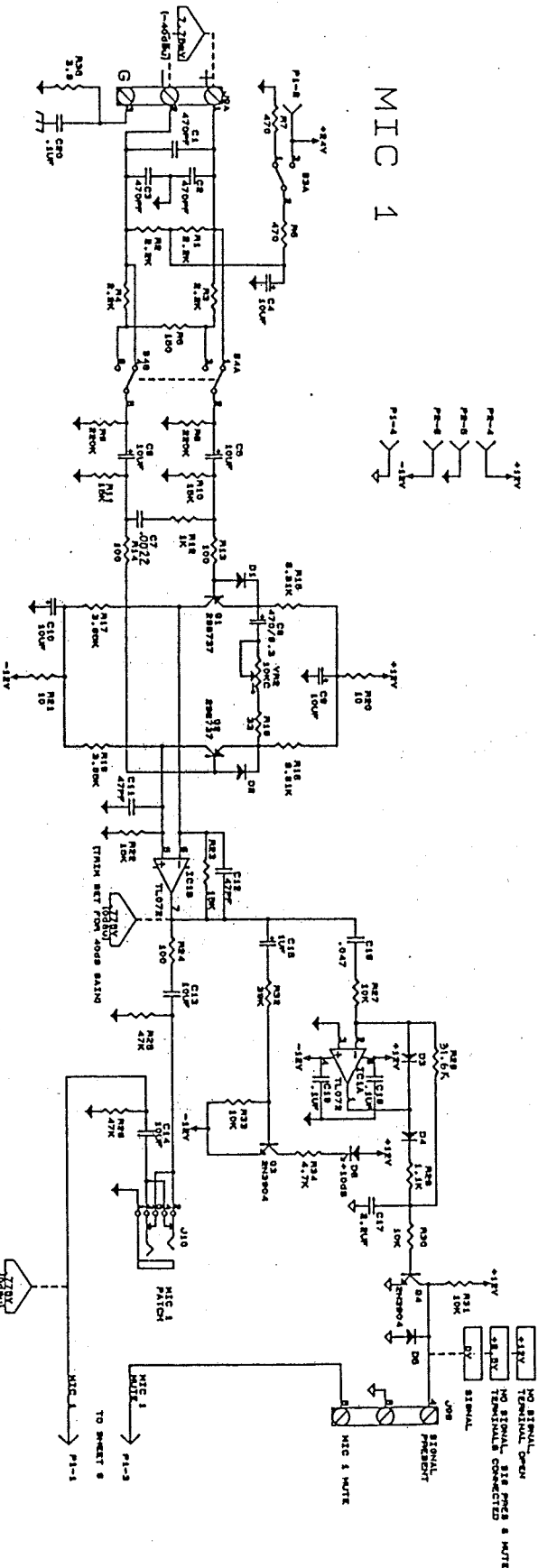
CHANNEL 1



CHANNEL 2



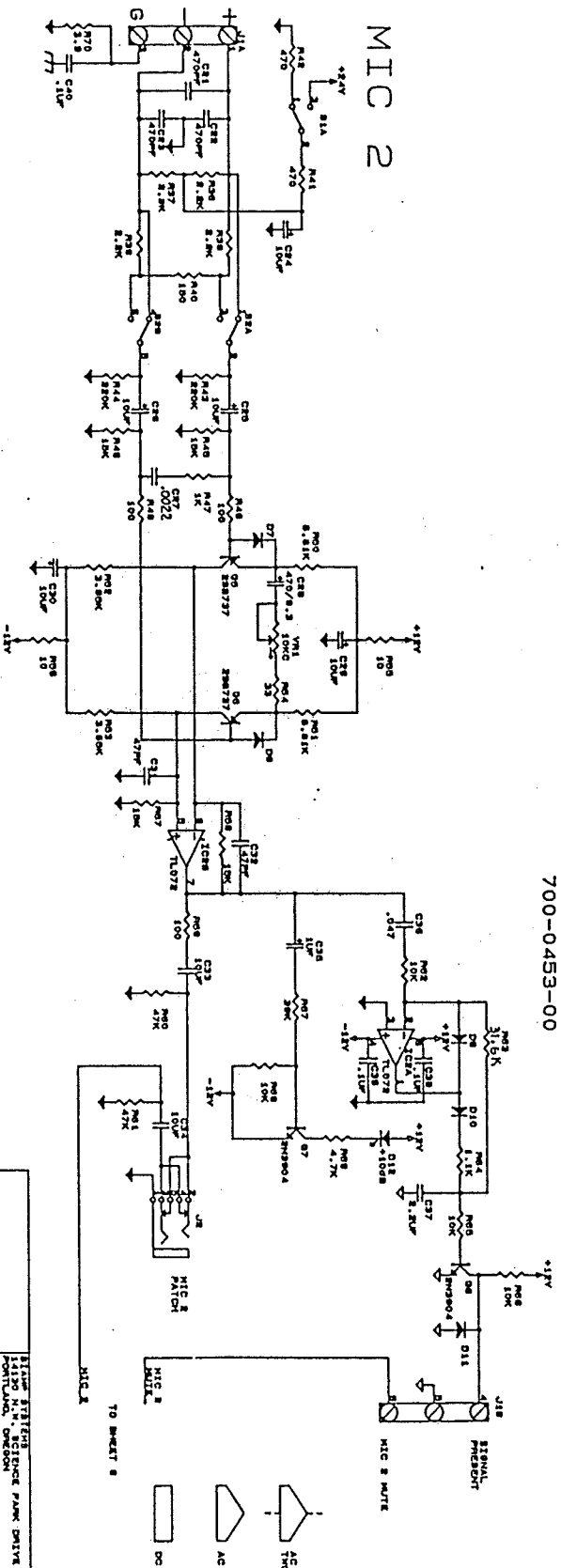
MIC 1



AUX PCB

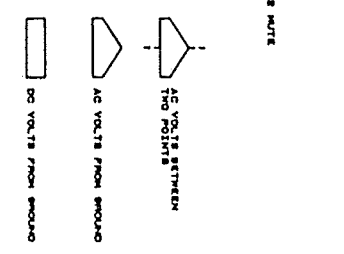
700-0455-00

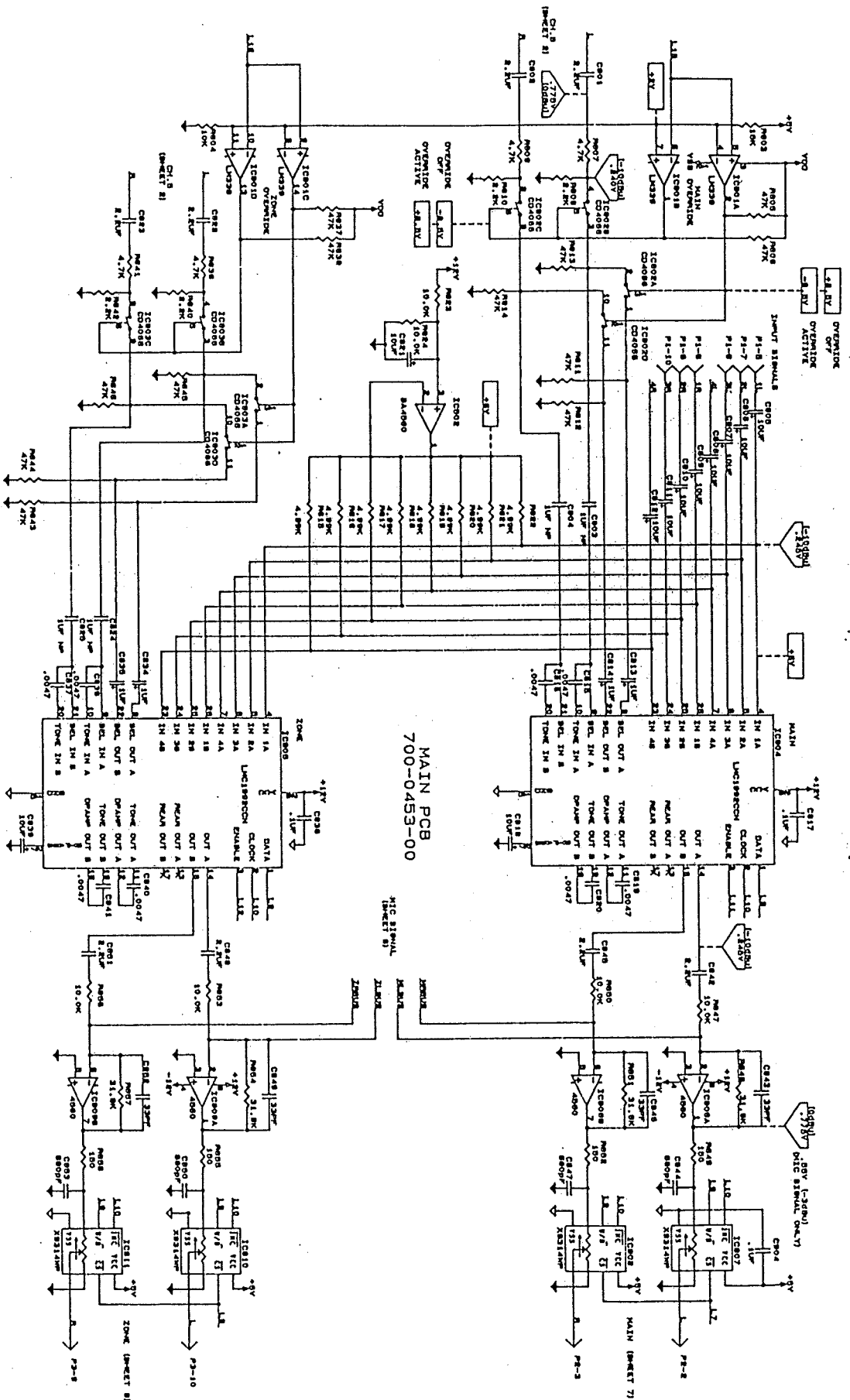
MIC 2



NOTE:
 1. ALL RESISTORS IN OHMS UNLESS OTHERWISE NOTED
 2. ALL UNLabeled DIODES ARE 1N4148 UNLESS OTHERWISE NOTED
 3. VOLTAGE MEASUREMENTS MADE WITH HIGH IMPEDANCE VOLTMETER

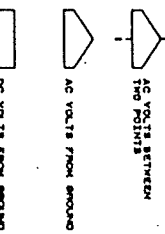
SPM5220		MIC INPUTS	
FORM NO	700-0455-00	REV	1.0
DATE	FEBRUARY 28, 1985	SHEET	3 OF 3
SIGNAL SYSTEMS			
44130 N.W. RESISTER PARK DRIVE			
PORTLAND, OREGON			



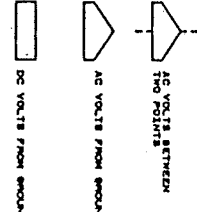
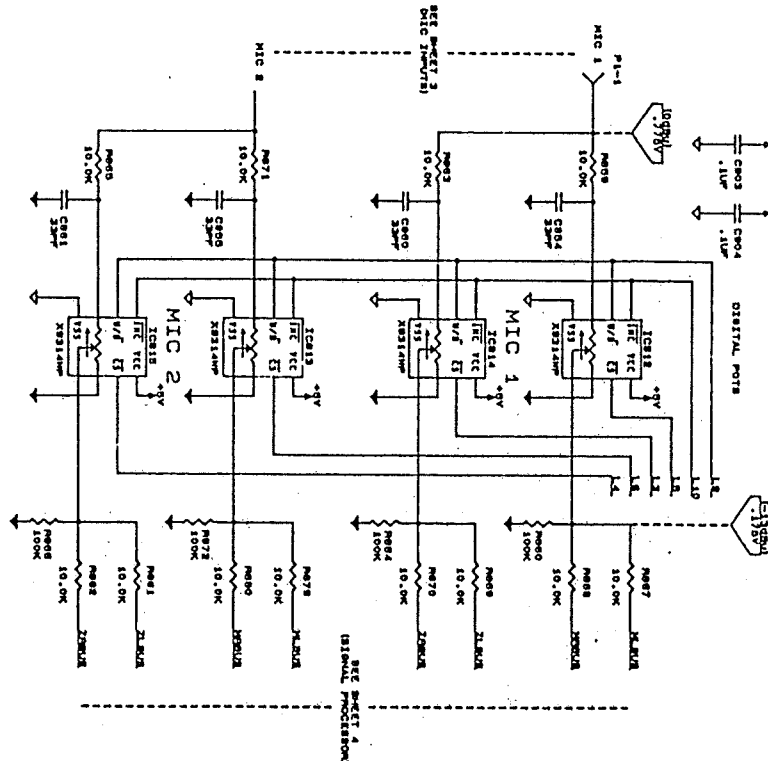
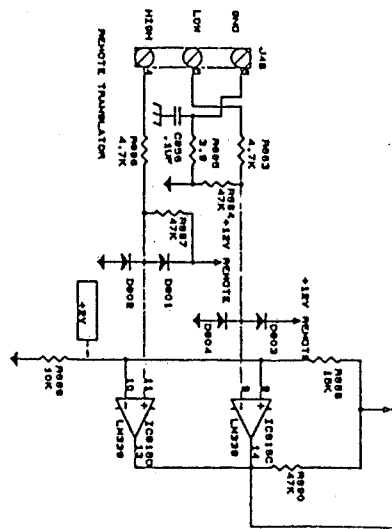
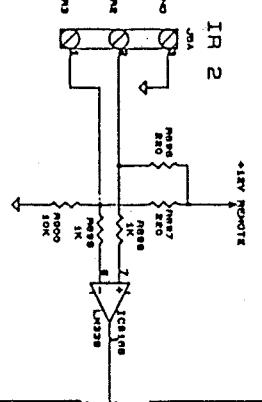
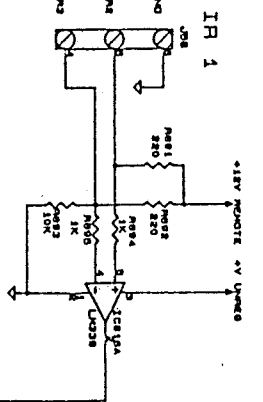
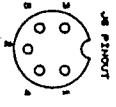
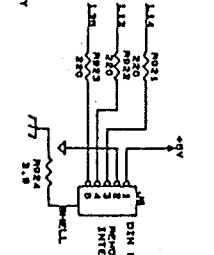
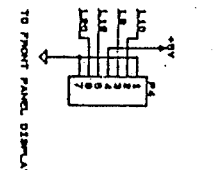
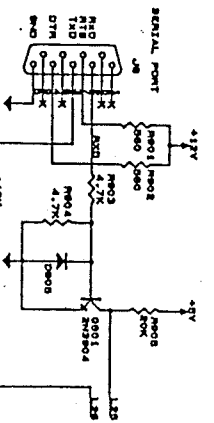


MAIN PCB
700-0453-00

NOTE: RESISTORS IN OHMS
ALL CAPACITORS IN MICROFARADS
UNLESS OTHERWISE NOTED
R: ALL UNMARKED DIODES ARE
1N4148
V: VOLTAGE REGULATOR
T: THERMISTOR
C: CAPACITOR
1: ALL LINES MARKED "1" ARE
DC DATA/CONTROL LINES.
SEE SHEET 9.



SHEET 11 OF 11		11100 111111	
DESIGNED BY: D. S. HAYES		11100 N. N. SCIENCE PARK DRIVE	
DATE: 11-19-65		PORTLAND, OREGON	
DRAWN BY: C		SCALE	
SIZE: 17.5" x 22.5"		DWG NO: 700-0453-00	
SIGNAL PROCESSOR		REV: E	
DATE: 11-19-65		REV: 4 OF 8	

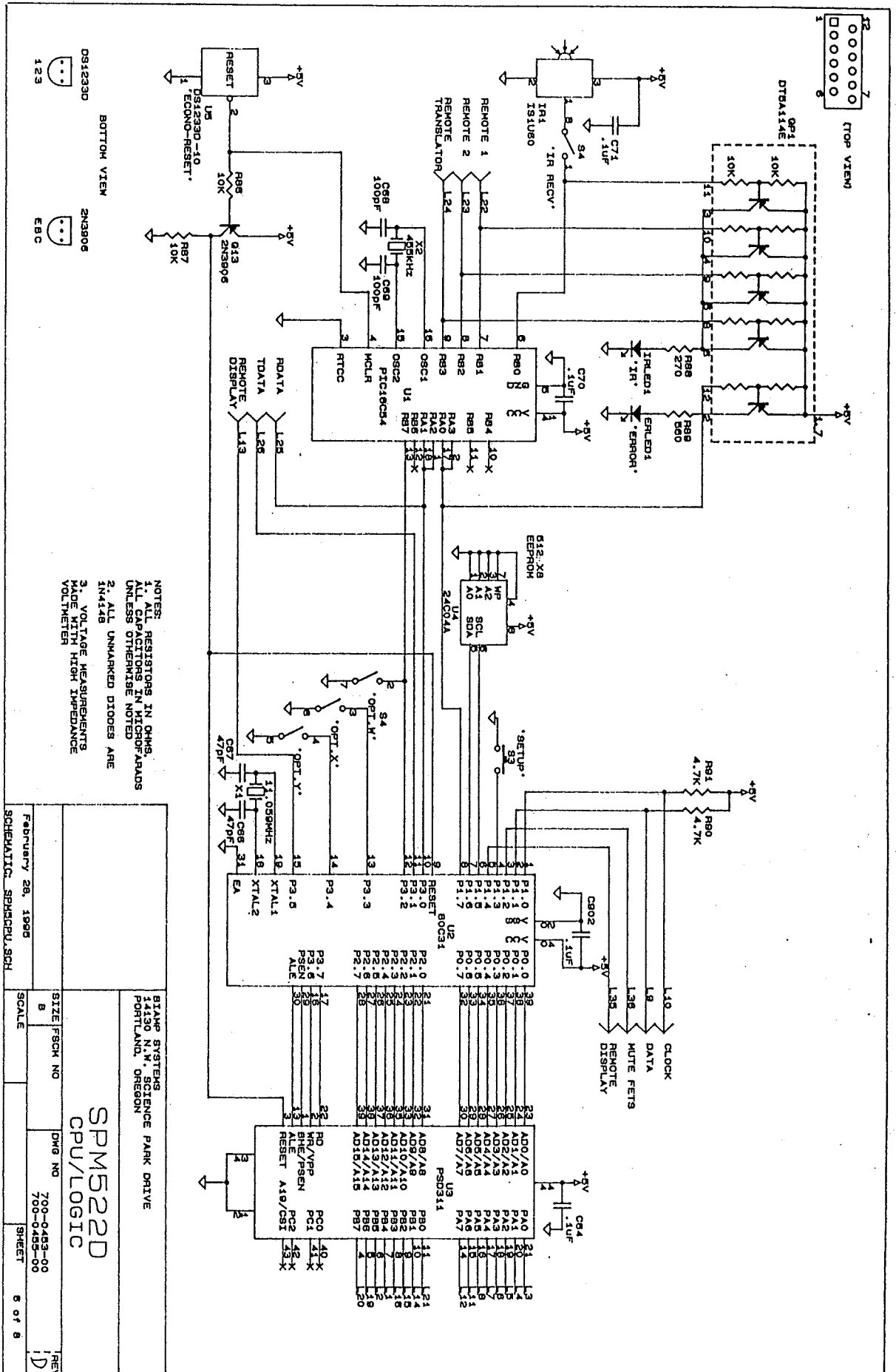


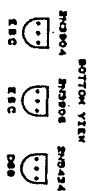
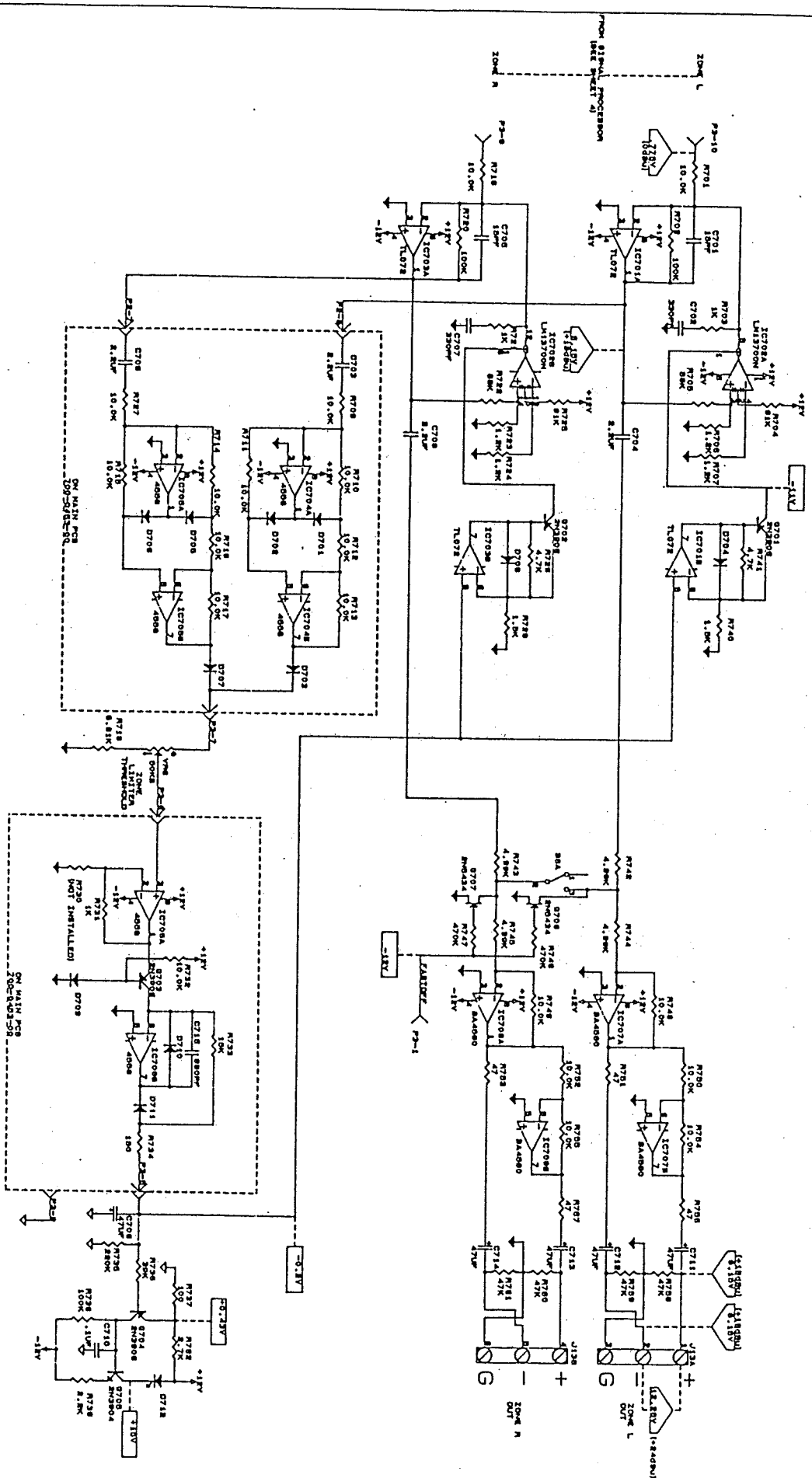
MAIN PCB
700-0453-00



NOTE: RESISTORS IN OHMS, ALL CAPACITORS IN MICROFARADS UNLESS OTHERWISE NOTED
 1. ALL UNMARKED DIODES ARE 1N4148
 2. ALL UNMARKED RESISTORS ARE 1% TOLERANCE
 3. ALL UNMARKED CAPACITORS ARE 5% TOLERANCE
 4. ALL LINES MARKED "LTV" ARE DRIVE/CONTROL LINES.
 SEE SHEET 9 (REV).

DRAWN BY: J. L. 15 AUGUST 21, 1980		CHECKED BY: J. L. 15 AUGUST 21, 1980	
SPM522D INTERFACE LOGIC, ETC.		SHEET 8 OF 8	





IC VOLTAGE BETWEEN TWO PINS
 AC VOLTS FROM GROUND
 DC
 OHM GROUND

- NOTE:
 1. ALL RESISTORS IN OHMS, UNLESS SPECIFIED IN MICROHMS OR KILOHMS.
 2. ALL CAPACITORS IN MICROFARADS, UNLESS SPECIFIED IN FARADS.
 3. UNLESS OTHERWISE NOTED, ALL DIODES ARE 1N4148.
 4. ALL LINES NAMED "VARS" ARE 50 OHM.
 5. ALL LINES NAMED "LINES" ARE 100 OHM.

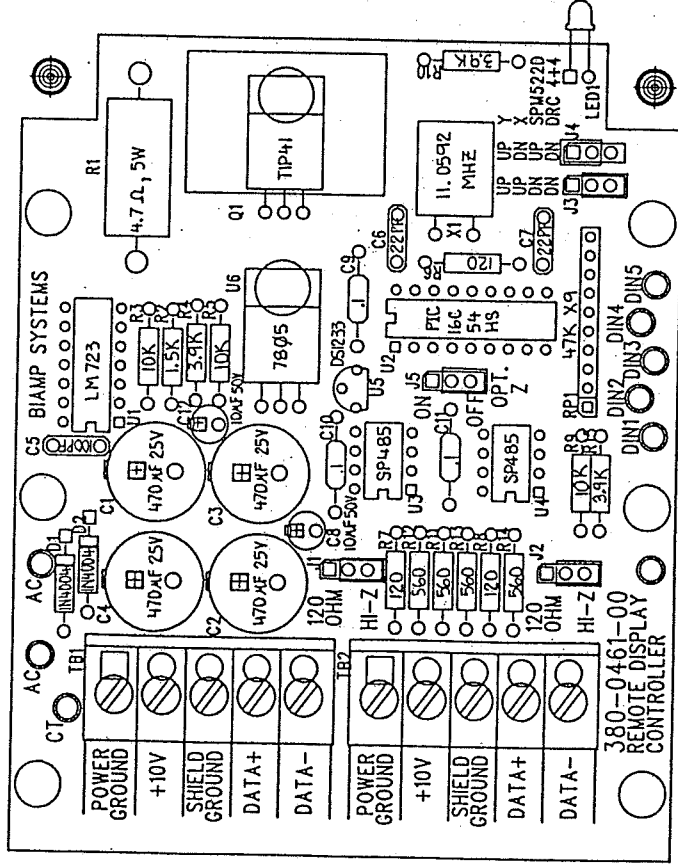
SPM5220		ZONE LIMITER AND OUTPUT	
REV	DATE	DESIGNED BY	DATE
1	11/10/68	W. J. BROWN	11/10/68
2	11/10/68	W. J. BROWN	11/10/68
3	11/10/68	W. J. BROWN	11/10/68
4	11/10/68	W. J. BROWN	11/10/68
5	11/10/68	W. J. BROWN	11/10/68
6	11/10/68	W. J. BROWN	11/10/68
7	11/10/68	W. J. BROWN	11/10/68
8	11/10/68	W. J. BROWN	11/10/68
9	11/10/68	W. J. BROWN	11/10/68
10	11/10/68	W. J. BROWN	11/10/68
11	11/10/68	W. J. BROWN	11/10/68
12	11/10/68	W. J. BROWN	11/10/68
13	11/10/68	W. J. BROWN	11/10/68
14	11/10/68	W. J. BROWN	11/10/68
15	11/10/68	W. J. BROWN	11/10/68
16	11/10/68	W. J. BROWN	11/10/68
17	11/10/68	W. J. BROWN	11/10/68
18	11/10/68	W. J. BROWN	11/10/68
19	11/10/68	W. J. BROWN	11/10/68
20	11/10/68	W. J. BROWN	11/10/68
21	11/10/68	W. J. BROWN	11/10/68
22	11/10/68	W. J. BROWN	11/10/68
23	11/10/68	W. J. BROWN	11/10/68
24	11/10/68	W. J. BROWN	11/10/68
25	11/10/68	W. J. BROWN	11/10/68
26	11/10/68	W. J. BROWN	11/10/68
27	11/10/68	W. J. BROWN	11/10/68
28	11/10/68	W. J. BROWN	11/10/68
29	11/10/68	W. J. BROWN	11/10/68
30	11/10/68	W. J. BROWN	11/10/68
31	11/10/68	W. J. BROWN	11/10/68
32	11/10/68	W. J. BROWN	11/10/68
33	11/10/68	W. J. BROWN	11/10/68
34	11/10/68	W. J. BROWN	11/10/68
35	11/10/68	W. J. BROWN	11/10/68
36	11/10/68	W. J. BROWN	11/10/68
37	11/10/68	W. J. BROWN	11/10/68
38	11/10/68	W. J. BROWN	11/10/68
39	11/10/68	W. J. BROWN	11/10/68
40	11/10/68	W. J. BROWN	11/10/68
41	11/10/68	W. J. BROWN	11/10/68
42	11/10/68	W. J. BROWN	11/10/68
43	11/10/68	W. J. BROWN	11/10/68
44	11/10/68	W. J. BROWN	11/10/68
45	11/10/68	W. J. BROWN	11/10/68
46	11/10/68	W. J. BROWN	11/10/68
47	11/10/68	W. J. BROWN	11/10/68
48	11/10/68	W. J. BROWN	11/10/68
49	11/10/68	W. J. BROWN	11/10/68
50	11/10/68	W. J. BROWN	11/10/68
51	11/10/68	W. J. BROWN	11/10/68
52	11/10/68	W. J. BROWN	11/10/68
53	11/10/68	W. J. BROWN	11/10/68
54	11/10/68	W. J. BROWN	11/10/68
55	11/10/68	W. J. BROWN	11/10/68
56	11/10/68	W. J. BROWN	11/10/68
57	11/10/68	W. J. BROWN	11/10/68
58	11/10/68	W. J. BROWN	11/10/68
59	11/10/68	W. J. BROWN	11/10/68
60	11/10/68	W. J. BROWN	11/10/68
61	11/10/68	W. J. BROWN	11/10/68
62	11/10/68	W. J. BROWN	11/10/68
63	11/10/68	W. J. BROWN	11/10/68
64	11/10/68	W. J. BROWN	11/10/68
65	11/10/68	W. J. BROWN	11/10/68
66	11/10/68	W. J. BROWN	11/10/68
67	11/10/68	W. J. BROWN	11/10/68
68	11/10/68	W. J. BROWN	11/10/68
69	11/10/68	W. J. BROWN	11/10/68
70	11/10/68	W. J. BROWN	11/10/68
71	11/10/68	W. J. BROWN	11/10/68
72	11/10/68	W. J. BROWN	11/10/68
73	11/10/68	W. J. BROWN	11/10/68
74	11/10/68	W. J. BROWN	11/10/68
75	11/10/68	W. J. BROWN	11/10/68
76	11/10/68	W. J. BROWN	11/10/68
77	11/10/68	W. J. BROWN	11/10/68
78	11/10/68	W. J. BROWN	11/10/68
79	11/10/68	W. J. BROWN	11/10/68
80	11/10/68	W. J. BROWN	11/10/68
81	11/10/68	W. J. BROWN	11/10/68
82	11/10/68	W. J. BROWN	11/10/68
83	11/10/68	W. J. BROWN	11/10/68
84	11/10/68	W. J. BROWN	11/10/68
85	11/10/68	W. J. BROWN	11/10/68
86	11/10/68	W. J. BROWN	11/10/68
87	11/10/68	W. J. BROWN	11/10/68
88	11/10/68	W. J. BROWN	11/10/68
89	11/10/68	W. J. BROWN	11/10/68
90	11/10/68	W. J. BROWN	11/10/68
91	11/10/68	W. J. BROWN	11/10/68
92	11/10/68	W. J. BROWN	11/10/68
93	11/10/68	W. J. BROWN	11/10/68
94	11/10/68	W. J. BROWN	11/10/68
95	11/10/68	W. J. BROWN	11/10/68
96	11/10/68	W. J. BROWN	11/10/68
97	11/10/68	W. J. BROWN	11/10/68
98	11/10/68	W. J. BROWN	11/10/68
99	11/10/68	W. J. BROWN	11/10/68
100	11/10/68	W. J. BROWN	11/10/68

THIS DRAWING IS THE PROPERTY OF BIAMP SYSTEMS, INC. AND IS NOT TO BE REPRODUCED, COPIED, OR TRANSMITTED IN ANY FORM OR BY ANY MEANS, ELECTRONIC OR MECHANICAL, INCLUDING PHOTOCOPYING, RECORDING, OR BY ANY INFORMATION STORAGE AND RETRIEVAL SYSTEM, WITHOUT THE WRITTEN PERMISSION OF BIAMP SYSTEMS, INC. THE INFORMATION CONTAINED HEREIN IS UNCLASSIFIED.

3

4

REV.	E.C.D.	CHANGE	DATE	BY
A	149-95	CHG'D VALUE - R1 (WAS) 5.0	12-28-95	D5



BIAMP SYSTEMS
 14130 N.W. Science Park Drive
 Portland, Oregon 97229
 (503) 641-7287

380-0461-00
 REMOTE DISPLAY CONTROLLER
 Sheet 1 of 5 : Component I.D. Silkscreen

JAN 12 1996

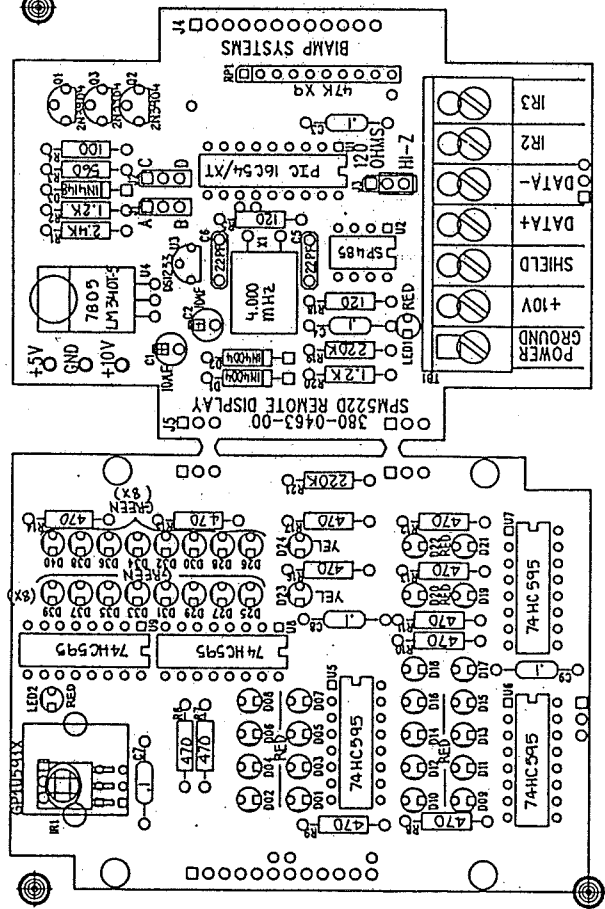
ITEM	PART NO.	DESCRIPTION	SIZE	QTY.
1	380-0461-00	REMOTE DISPLAY CONTROLLER COMPONENT LAYOUT		1
<p>UNLESS OTHERWISE SPECIFIED, DIMENSIONS ARE IN INCHES. TOLERANCES ARE: FRACTIONS ANGLES PLACES DECIMALS .010 .015 .020 .030 .040 .050 .060 .070 .080 .090 .100 .125 .150 .200 .250 .300 .375 .500 .625 .750 .875 1.000 1.250 1.500 2.000 2.500 3.000 3.750 4.500 5.000 6.000 7.000 8.000 9.000 10.000</p>				
<p>SCALE: 1" = 1" DO NOT SCALE DRAWING</p>				

REV.	EGD.	CHANGE	DATE	BY
A	NONE	PILOT RELEASE	4-17-95	808

4
3
2
1

A B C D

THIS DRAWING IS THE PROPERTY OF BIAMP SYSTEMS, INC. AND IS TO BE USED ONLY FOR THE MANUFACTURE OF THE REMOTE DISPLAY PCB. IT IS TO BE KEPT IN THE CONFIDENTIALITY OF BIAMP SYSTEMS, INC. AND IS NOT TO BE REPRODUCED OR TRANSMITTED IN ANY FORM OR BY ANY MEANS, ELECTRONIC, MECHANICAL, PHOTOCOPYING, RECORDING, OR BY ANY INFORMATION STORAGE AND RETRIEVAL SYSTEM. WITHOUT PERMISSION IN WRITING FROM BIAMP SYSTEMS, INC. THE DRAWING IS NOT TO BE USED FOR ANY OTHER PURPOSE. BIAMP SYSTEMS, INC. 1995



BIAMP SYSTEMS
14130 N.W. Science Park Drive
Portland, Oregon 97229
(503) 641-7287

JAN 12 1996
380-0463-00
SPM522D REMOTE DISPLAY PCB
Sheet 1 of 5 : Component I.D. Silkscreen

ITEM	PART NO.	DESCRIPTION	SIZE	QTY.
1	74HC595	74HC595		
2	74HC595	74HC595		
3	74HC595	74HC595		
4	74HC595	74HC595		
5	74HC595	74HC595		
6	74HC595	74HC595		
7	74HC595	74HC595		
8	74HC595	74HC595		
9	74HC595	74HC595		
10	74HC595	74HC595		
11	74HC595	74HC595		
12	74HC595	74HC595		
13	74HC595	74HC595		
14	74HC595	74HC595		
15	74HC595	74HC595		
16	74HC595	74HC595		
17	74HC595	74HC595		
18	74HC595	74HC595		
19	74HC595	74HC595		
20	74HC595	74HC595		
21	74HC595	74HC595		
22	74HC595	74HC595		
23	74HC595	74HC595		
24	74HC595	74HC595		
25	74HC595	74HC595		
26	74HC595	74HC595		
27	74HC595	74HC595		
28	74HC595	74HC595		
29	74HC595	74HC595		
30	74HC595	74HC595		
31	74HC595	74HC595		
32	74HC595	74HC595		
33	74HC595	74HC595		
34	74HC595	74HC595		
35	74HC595	74HC595		
36	74HC595	74HC595		
37	74HC595	74HC595		
38	74HC595	74HC595		
39	74HC595	74HC595		
40	74HC595	74HC595		
41	74HC595	74HC595		
42	74HC595	74HC595		
43	74HC595	74HC595		
44	74HC595	74HC595		
45	74HC595	74HC595		
46	74HC595	74HC595		
47	74HC595	74HC595		
48	74HC595	74HC595		
49	74HC595	74HC595		
50	74HC595	74HC595		
51	74HC595	74HC595		
52	74HC595	74HC595		
53	74HC595	74HC595		
54	74HC595	74HC595		
55	74HC595	74HC595		
56	74HC595	74HC595		
57	74HC595	74HC595		
58	74HC595	74HC595		
59	74HC595	74HC595		
60	74HC595	74HC595		
61	74HC595	74HC595		
62	74HC595	74HC595		
63	74HC595	74HC595		
64	74HC595	74HC595		
65	74HC595	74HC595		
66	74HC595	74HC595		
67	74HC595	74HC595		
68	74HC595	74HC595		
69	74HC595	74HC595		
70	74HC595	74HC595		
71	74HC595	74HC595		
72	74HC595	74HC595		
73	74HC595	74HC595		
74	74HC595	74HC595		
75	74HC595	74HC595		
76	74HC595	74HC595		
77	74HC595	74HC595		
78	74HC595	74HC595		
79	74HC595	74HC595		
80	74HC595	74HC595		
81	74HC595	74HC595		
82	74HC595	74HC595		
83	74HC595	74HC595		
84	74HC595	74HC595		
85	74HC595	74HC595		
86	74HC595	74HC595		
87	74HC595	74HC595		
88	74HC595	74HC595		
89	74HC595	74HC595		
90	74HC595	74HC595		
91	74HC595	74HC595		
92	74HC595	74HC595		
93	74HC595	74HC595		
94	74HC595	74HC595		
95	74HC595	74HC595		
96	74HC595	74HC595		
97	74HC595	74HC595		
98	74HC595	74HC595		
99	74HC595	74HC595		
100	74HC595	74HC595		
101	74HC595	74HC595		
102	74HC595	74HC595		
103	74HC595	74HC595		
104	74HC595	74HC595		
105	74HC595	74HC595		
106	74HC595	74HC595		
107	74HC595	74HC595		
108	74HC595	74HC595		
109	74HC595	74HC595		
110	74HC595	74HC595		
111	74HC595	74HC595		
112	74HC595	74HC595		
113	74HC595	74HC595		
114	74HC595	74HC595		
115	74HC595	74HC595		
116	74HC595	74HC595		
117	74HC595	74HC595		
118	74HC595	74HC595		
119	74HC595	74HC595		
120	74HC595	74HC595		
121	74HC595	74HC595		
122	74HC595	74HC595		
123	74HC595	74HC595		
124	74HC595	74HC595		
125	74HC595	74HC595		
126	74HC595	74HC595		
127	74HC595	74HC595		
128	74HC595	74HC595		
129	74HC595	74HC595		
130	74HC595	74HC595		
131	74HC595	74HC595		
132	74HC595	74HC595		
133	74HC595	74HC595		
134	74HC595	74HC595		
135	74HC595	74HC595		
136	74HC595	74HC595		
137	74HC595	74HC595		
138	74HC595	74HC595		
139	74HC595	74HC595		
140	74HC595	74HC595		
141	74HC595	74HC595		
142	74HC595	74HC595		
143	74HC595	74HC595		
144	74HC595	74HC595		
145	74HC595	74HC595		
146	74HC595	74HC595		
147	74HC595	74HC595		
148	74HC595	74HC595		
149	74HC595	74HC595		
150	74HC595	74HC595		
151	74HC595	74HC595		
152	74HC595	74HC595		
153	74HC595	74HC595		
154	74HC595	74HC595		
155	74HC595	74HC595		
156	74HC595	74HC595		
157	74HC595	74HC595		
158	74HC595	74HC595		
159	74HC595	74HC595		
160	74HC595	74HC595		
161	74HC595	74HC595		
162	74HC595	74HC595		
163	74HC595	74HC595		
164	74HC595	74HC595		
165	74HC595	74HC595		
166	74HC595	74HC595		
167	74HC595	74HC595		
168	74HC595	74HC595		
169	74HC595	74HC595		
170	74HC595	74HC595		
171	74HC595	74HC595		
172	74HC595	74HC595		
173	74HC595	74HC595		
174	74HC595	74HC595		
175	74HC595	74HC595		
176	74HC595	74HC595		
177	74HC595	74HC595		
178	74HC595	74HC595		
179	74HC595	74HC595		
180	74HC595	74HC595		
181	74HC595	74HC595		
182	74HC595	74HC595		
183	74HC595	74HC595		
184	74HC595	74HC595		
185	74HC595	74HC595		
186	74HC595	74HC595		
187	74HC595	74HC595		
188	74HC595	74HC595		
189	74HC595	74HC595		
190	74HC595	74HC595		
191	74HC595	74HC595		
192	74HC595	74HC595		
193	74HC595	74HC595		
194	74HC595	74HC595		
195	74HC595	74HC595		
196	74HC595	74HC595		
197	74HC595	74HC595		
198	74HC595	74HC595		
199	74HC595	74HC595		
200	74HC595	74HC595		
201	74HC595	74HC595		
202	74HC595	74HC595		
203	74HC595	74HC595		
204	74HC595	74HC595		
205	74HC595	74HC595		
206	74HC595	74HC595		
207	74HC595	74HC595		
208	74HC595	74HC595		
209	74HC595	74HC595		
210	74HC595	74HC595		
211	74HC595	74HC595		
212	74HC595	74HC595		
213	74HC595	74HC595		
214	74HC595	74HC595		
215	74HC595	74HC595		
216	74HC595	74HC595		
217	74HC595	74HC595		
218	74HC595	74HC595		
219	74HC595	74HC595		
220	74HC595	74HC595		
221	74HC595	74HC595		
222	74HC595	74HC595		
223	74HC595	74HC595		
224	74HC595	74HC595		
225	74HC595	74HC595		
226	74HC595	74HC595		
227	74HC595	74HC595		
228	74HC595	74HC595		
229	74HC595	74HC595		
230	74HC595	74HC595		
231	74HC595	74HC595		
232	74HC595	74HC595		
233	74HC595	74HC595		

THIS DRAWING IS THE PROPERTY OF BIAMP SYSTEMS, AND MUST BE RETURNED TO BIAMP SYSTEMS, 14130 N.W. SCIENCE PARK DRIVE, PORTLAND, OREGON 97229. IF THIS DRAWING IS REPRODUCED OR TRANSMITTED IN ANY FORM OR BY ANY MEANS, WITHOUT THE WRITTEN PERMISSION OF BIAMP SYSTEMS, THE REPRODUCER OR TRANSMITTER WILL BE HELD LIABLE FOR ALL DAMAGES AND COSTS INCURRED BY BIAMP SYSTEMS. THE INFORMATION CONTAINED HEREON IS UNCLASSIFIED.

REV.	E.C.D.	CHANGE	DATE	BY
B	1053-95	CHG RPI FROM 100KX1	14-25-95	BDA

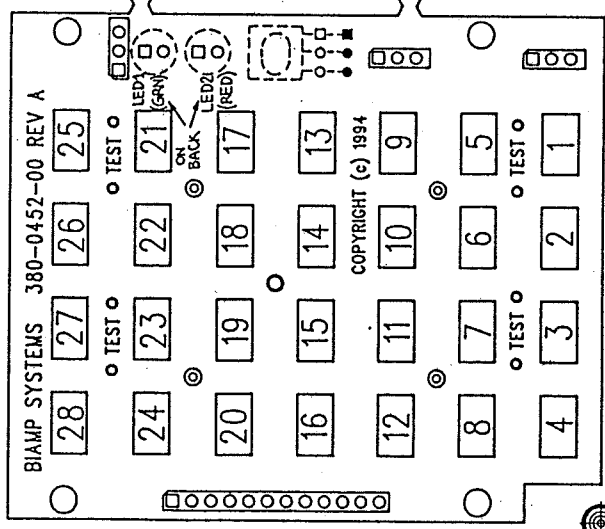
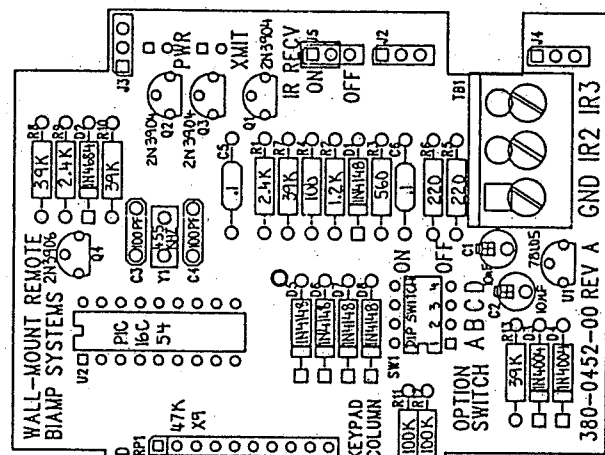
4

3

2

1

BIAMP SYSTEMS
 14130 N.W. Science Park Drive
 Portland, Oregon 97229
 380-0452-00 REV A
 WALL-MOUNT REMOTE
 Sheet 1 of 7 : Component I.D. Silkscreen

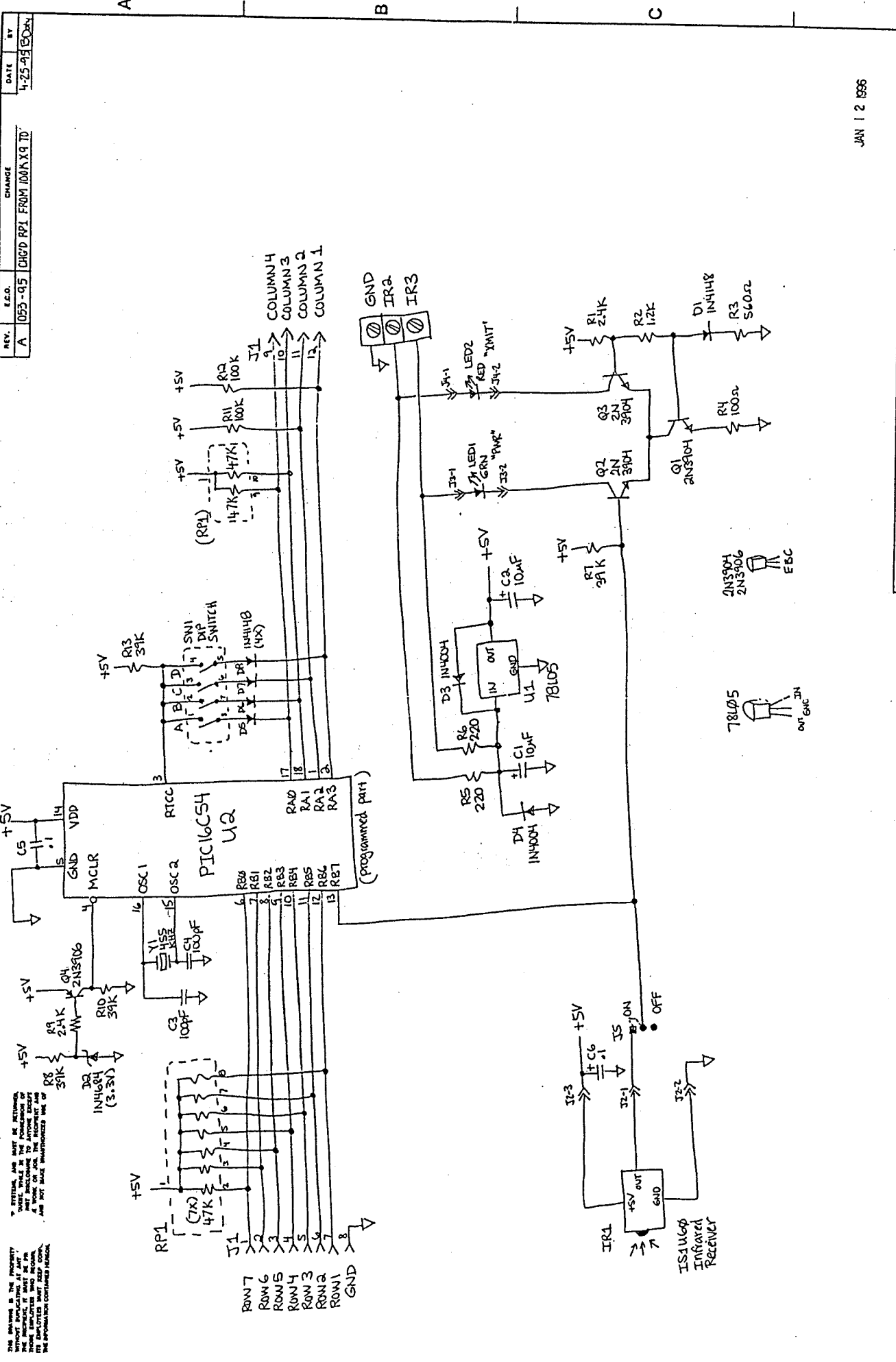


BREAK APART BEFORE ASSEMBLY.

CONDUCTIVE RUBBER KEYPAD ON BACK.

JAN 12 1996

ITEM	PART NO.	DESCRIPTION	SIZE	QTY.
DRYER	778-34	BIAMP SYSTEMS		
CHEEK		COMPONENT LAYOUT		
ENGINEER		WALL-MOUNT REMOTE CONTROL		
DESIGN		SIZE C	DWG. NO. 701-0452-00	REV. B
APPROVED		SCALE 2/1	DO NOT SCALE DRAWING	SHEET / OF 1



THIS DRAWING IS THE PROPERTY OF BIAMP SYSTEMS, INC. AND IS NOT TO BE REPRODUCED OR TRANSMITTED IN ANY FORM OR BY ANY MEANS, ELECTRONIC OR MECHANICAL, INCLUDING PHOTOCOPYING, RECORDING, OR BY ANY INFORMATION STORAGE AND RETRIEVAL SYSTEM. ANY UNAUTHORIZED REPRODUCTION OR TRANSMISSION OF THIS DRAWING IS PROHIBITED. THE INFORMATION CONTAINED HEREIN IS UNCLASSIFIED.

A

B

C

D

JAN 12 1996

REV.	E.C.O.	CHANGE	DATE	BY
A	055-95	CHG'D RPL FROM 100K TO 10K	4-25-95	BOB

ITEM	DESCRIPTION	SIZE	QTY.
1	IR1	IS1166	1
2	U1	78L05	1
3	Q1	2N3906	1
4	Q2	2N3904	1
5	LED1	3-4	1
6	LED2	3-4	1
7	R1	24K	1
8	R2	1.2K	1
9	R3	560Ω	1
10	R4	100Ω	1
11	R5	220	1
12	R6	220	1
13	R7	39K	1
14	R8	39K	1
15	R9	24K	1
16	R10	39K	1
17	R11	100K	1
18	R12	100K	1
19	C1	10μF	1
20	C2	10μF	1
21	C3	100μF	1
22	C4	100μF	1
23	C5	.1	1
24	C6	.1	1
25	D1	1N4148	1
26	S1	3-4	1
27	U2	PIC16C54	1

DATE	DATE
8-24-95	8-24-95

UNLESS OTHERWISE SPECIFIED, DIMENSIONS ARE IN INCHES, TOLERANCES ARE:	MATERIAL CHECKED
.100 ± .005	✓
.010 ± .001	✓
.001 ± .0005	✓
ANGLES	✓
RADIUSES	✓
FINISH	✓

DESCRIPTION	SCALE	SHEET	OF
BIAMP SYSTEMS SCHEMATIC WALL-MOUNT REMOTE CONTROL	C	700-0452-00	A