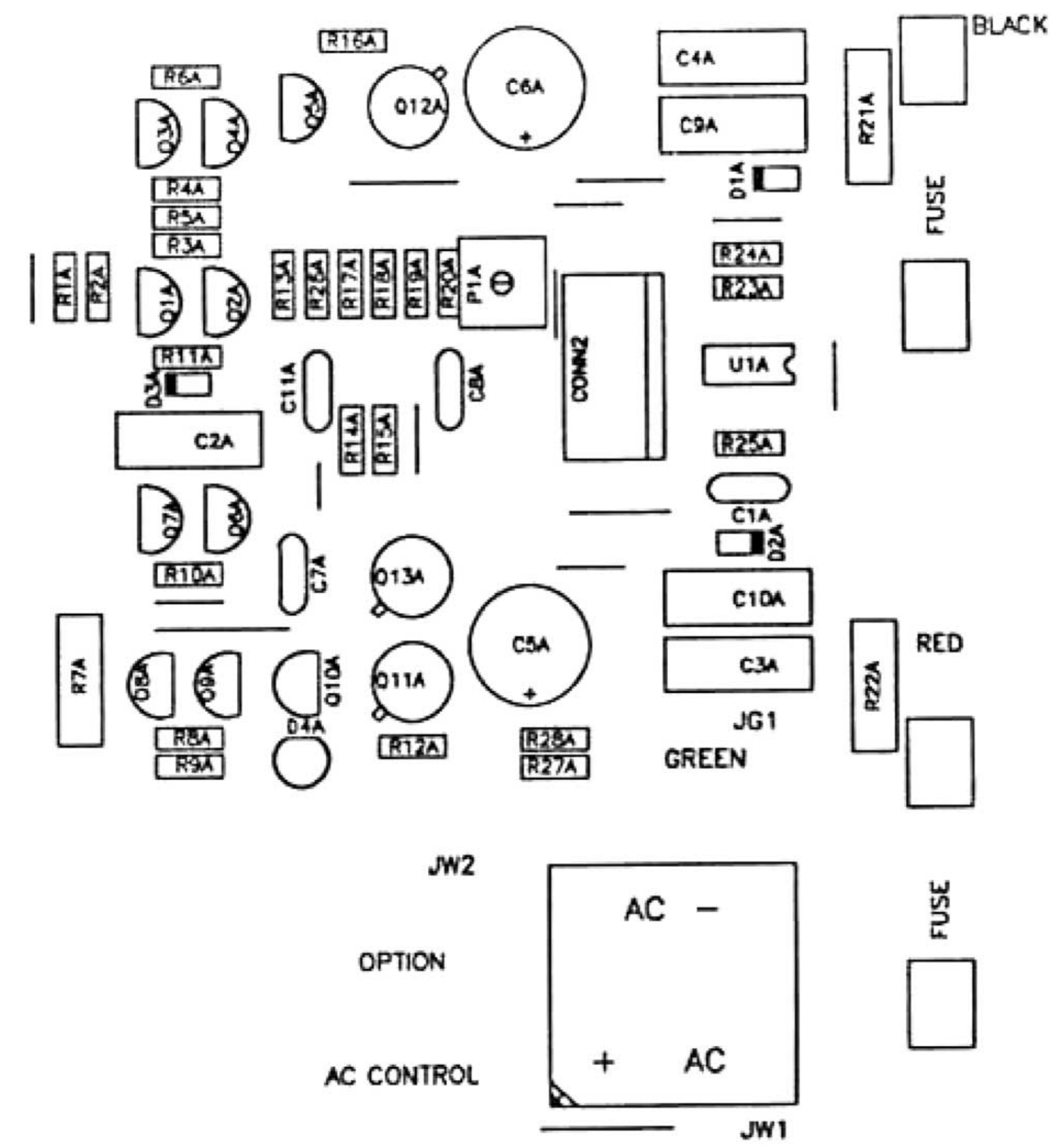
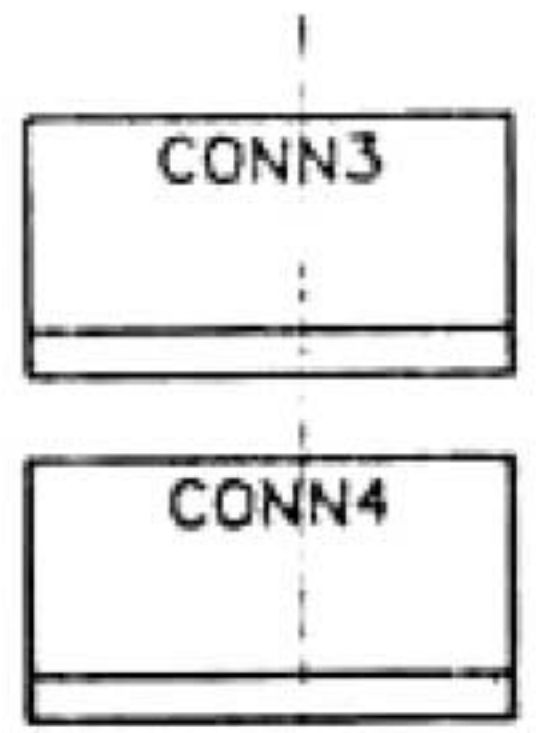
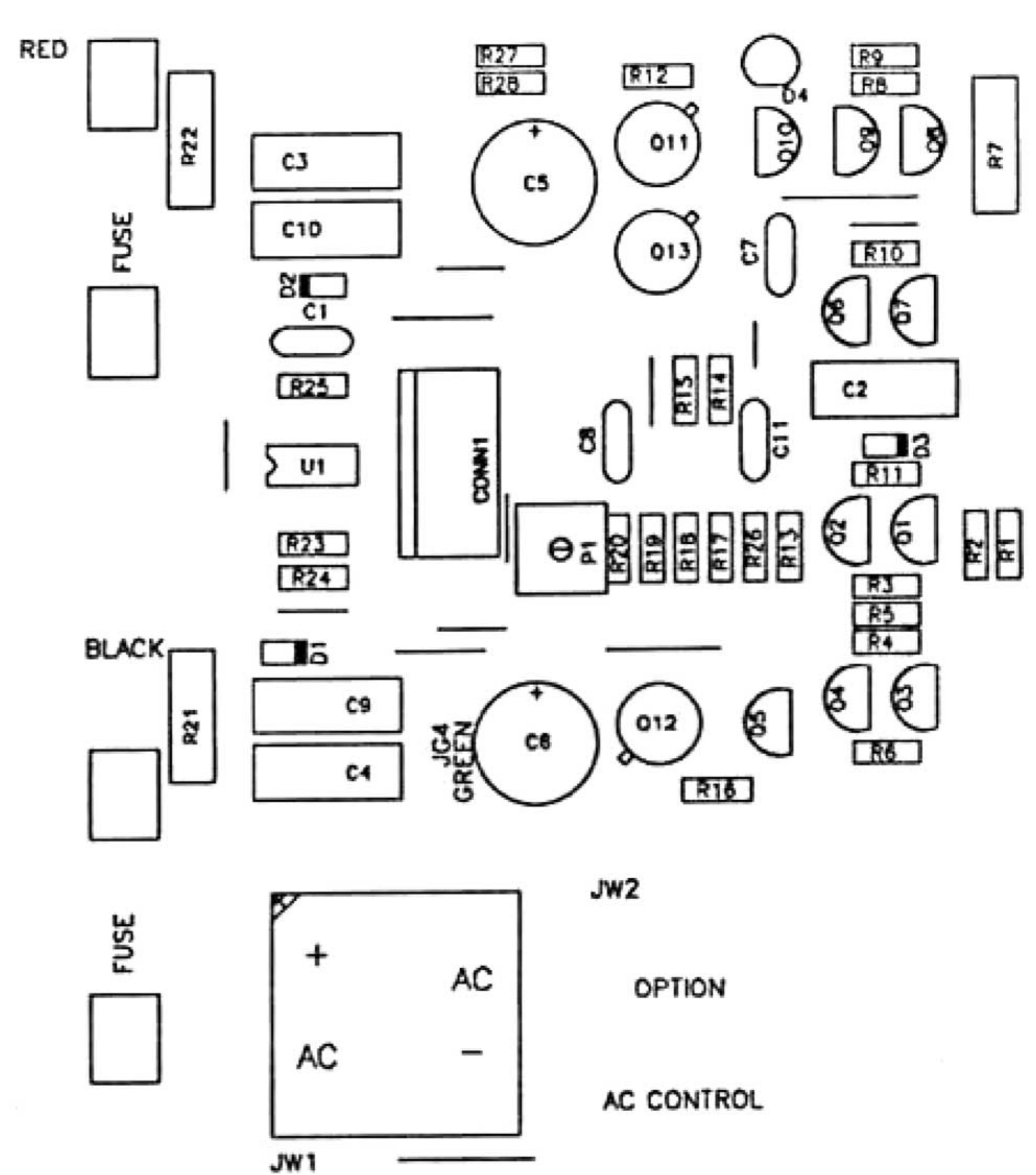
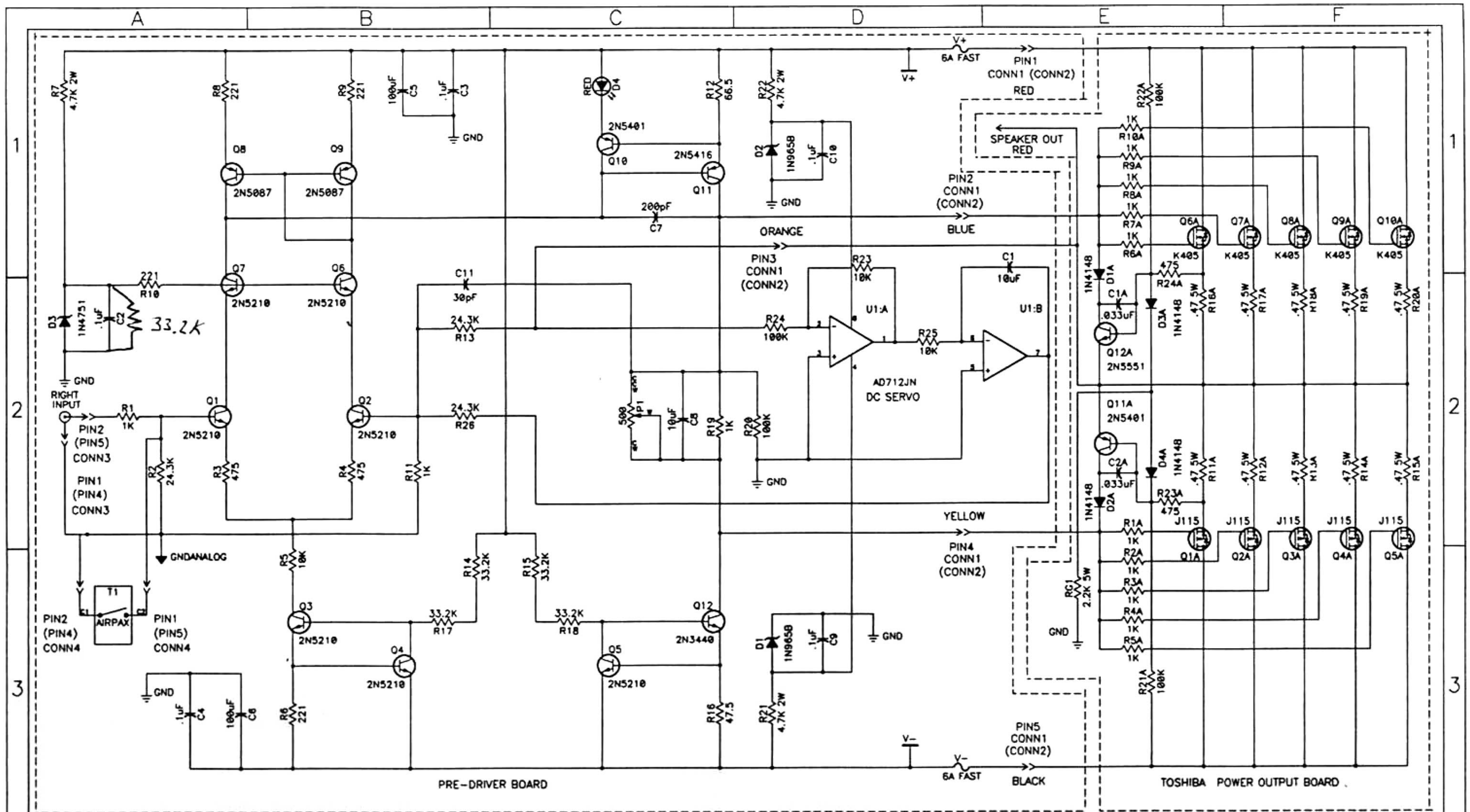


SUPPLY VOLTAGE

ST-202	62 VOLTS
ST-202 PLUS	76 VOLTS
EX-442	62 VOLTS
PRO-600	62 VOLTS

Title		EX-442	
Size	Number	Revision	
A	PRIME	-	
Date:	20-FEB 1990	Sheet	1 of 1
File:	EX442/1	Drawn By:	E.M.





NOTE: THIS INFORMATION DESCRIBES THE DC COUPLED AMPLIFIER CIRCUITRY FOR ALL MODELS LISTED HEREIN. THE RIGHT CHANNEL IS SHOWN, THE LEFT CHANNEL IS THE SAME WITH THE ADDITION OF THE SUFFIX (A) TO THE PRE-DRIVER DESIGNATORS.

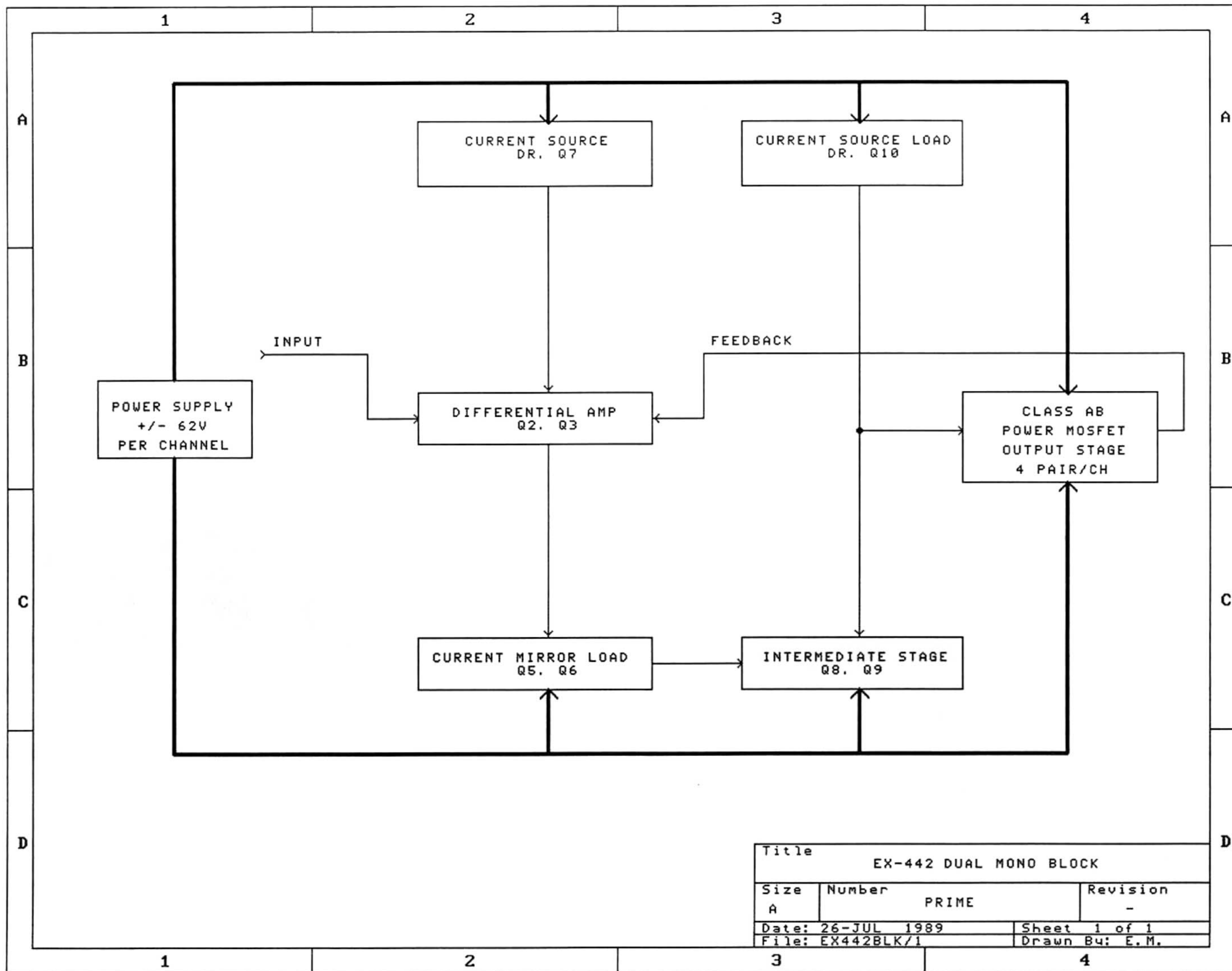
NOTE: The ST-140 MONO is the same as the ST-140 with only the left CH pre-driver loaded and output boards strapped in parallel.

NOTE: The M-200 is the same as EX-442 with only the left CH pre-driver loaded and the output boards strapped in parallel. The Dual Mono power supply is also strapped in parallel.

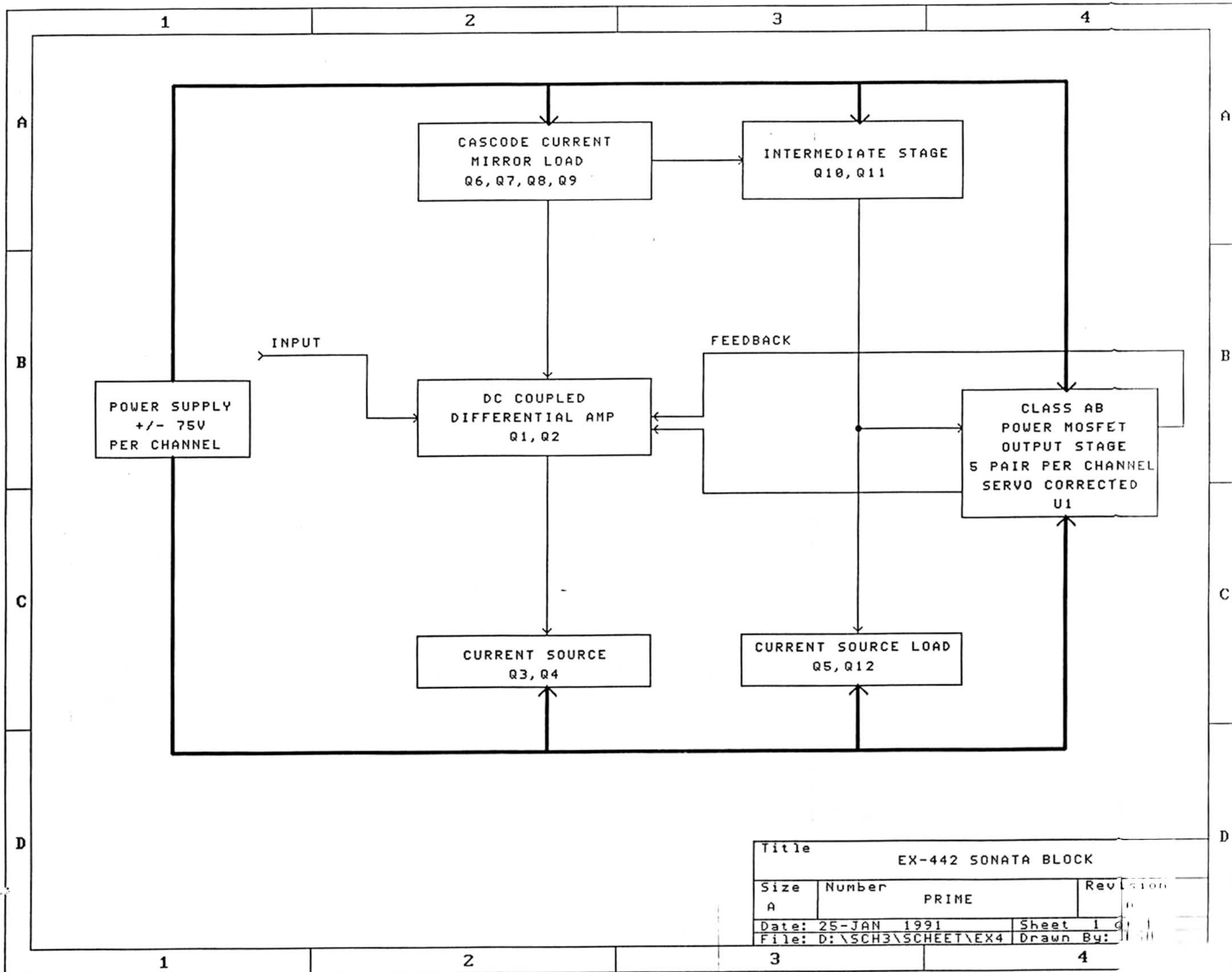
MODEL:	ST-140	ST-202	ST-202+	EX-442
PART NO.:	10417	10417	10417	10418
REVISION:	B	B	B	C

MODEL:	ST-140	ST-202	ST-202+	EX-442
TRANSISTOR PAIRS:	2	3	3	5
PART NO.:	10398	10421	10421	10421
REVISION:	-	-	-	-

Title				B&K COMPONENTS LTD.	
Size	Number	AMPLIFIER, SCHEMATIC		Rev	C
Date	1/26/91	Drawn by	ESM		
Filename	ALLAMPS	Sheet	1 of 1		



Title				EX-442 DUAL MONO BLOCK			
Size	Number			PRIME		Revision	
A						-	
Date: 26-JUL 1989				Sheet 1 of 1			
File: EX442BLK/1				Drawn By: E.M.			



Title		EX-442 SONATA BLOCK	
Size	Number	Revision	
A	PRIME		
Date: 25-JAN 1991		Sheet 1 of 1	
File: D:\SCH3\SHEET\EX4		Drawn By:	