


Bang & Olufsen

file
BEOCENTER 2800
TYPE 2630

BEOCENTER 4600
TYPE 2631

Master 1500.2629.

For Service Manuals Contact
MAURITRON TECHNICAL SERVICES
8 Cherry Tree Rd, Chinnor
Oxon OX9 4QY
Tel: 01844 351694 Fax: 01844 352554
Email: enquiries@mauritron.co.uk



SERVICE MANUAL

INTRODUCTION

Beocenter models 2800 and 4600, types 2630 and 2631, are combined sets in which the radio section and record player are identical. The radio receiver circuits are identical with those of the Beomaster 2200, type 1601, and reference is therefore made to the functional description of that receiver.

CONTENTS

SECTION

Technical Data	1
Disassembly, service tips	2
Electrical description	3
Adjustments, gramophone	4
Mechanical function and adjustments, tape recorder	5
Electrical adjustments, tape recorder	6
Adjustments, radio part	7
Parts list	8
Electrical parts list	9
Transistor, IC, and diode list	10
PC boards and diagrams	11

**TECHNICAL DATA DIN 45 500
AMPLIFIER**

Power output	2 x 25 watts/4 ohms
	2 x 19 watts/8 ohms
Music power	2 x 40 watts/4 ohms
	2 x 25 watts/8 ohms
Speaker impedance	4 ohms
Harmonic distortion	< 0.1 %
Intermodulation	< 0.25 %
Frequency range	20 - 35,000 Hz
Power bandwidth 1 %	10 - 50,000 Hz
Damping factor	> 50
Input, TAPE	200 mV/470 kohms
Signal-to-noise ratio, PHONO	> 60 dB
TAPE	> 60 dB
Channel separation, 1000 Hz	> 56 dB
250 - 10,000 Hz	> 40 dB
Outputs, TAPE	100 mV/100 kohms
Headphones	Max. 14 V/220 ohms
BASS control at 40 Hz	± 12 dB
TREBLE control at 12,500 Hz	± 12 dB

FM TUNER

For Service Manuals Contact
MAURITRON TECHNICAL SERVICES
 8 Cherry Tree Rd, Chinnor
 Oxon OX9 4QY
 Tel: 01844-351694 Fax: 01844-352554
 Email: enquiries@mauritron.co.uk

Range	87.5 - 108 MHz
Aerial	75/300 ohms
Sensitivity, stereo, 46 dB	25 μ V/75 ohms
Frequency range	20 - 15,000 Hz
Harmonic distortion	< 0.4 %
Channel separation, 1000 Hz	> 35 dB
250 - 10,000 Hz	> 30 dB
Pilot suppression 19 kHz	> 45 dB
38 kHz	> 50 dB

AM TUNER

LW	147 - 350 kHz
MW	520 - 1610 kHz
Sensitivity LW 200 kHz, 20 dB	90 μ V
Sensitivity MW 1000 kHz, 20 dB	90 μ V
Bandwidth 3 dB	6 kHz

TAPE RECORDER

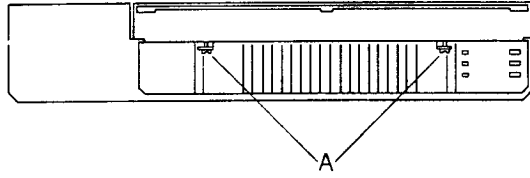
Compact Cassette	C 60 - C 90
Wow and flutter	< ± 0.2 %
Speed deviation	< ± 1 %
Fast forward and rewind C 60	85 sec.
Frequency range chrom	30 - 14,000 Hz
Signal-to-noise, chrom	> 56
Dolby, chrom	> 64
Channel separation, 1000 Hz	> 40 dB
Erase attenuation, 1000 Hz	> 70 dB

RECORD PLAYER

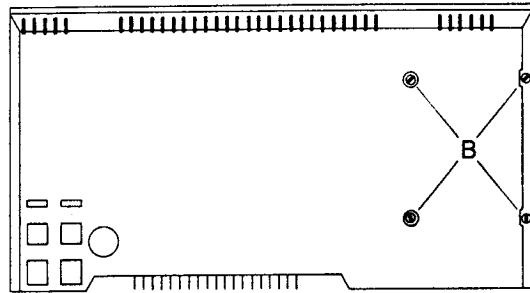
Speed deviation	< 0.05 %
Wow and flutter	< 0.09 %
Rumble unweighted	> 42 dB
Rumble weighted	> 62 dB
Frequency range	20 - 20,000 Hz
Channel separation, 1000 Hz	> 20 dB
Channel matching, 1000 Hz	< 2 dB
Intermodulation	< 1 %
Recommended stylus pressure	1.2 gram
Compliance	25 x 10 ⁻⁶ cm/dyn.
Radius of curvature	15 μ m
Effective tip mass	0.5 mg

PICK-UP MMC 3000

**DISASSEMBLY
RECORD PLAYER**

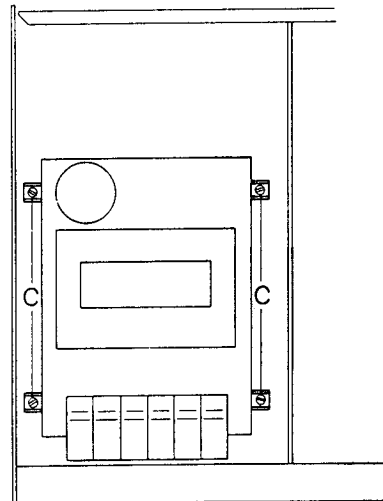


COVER FOR TAPE DECK

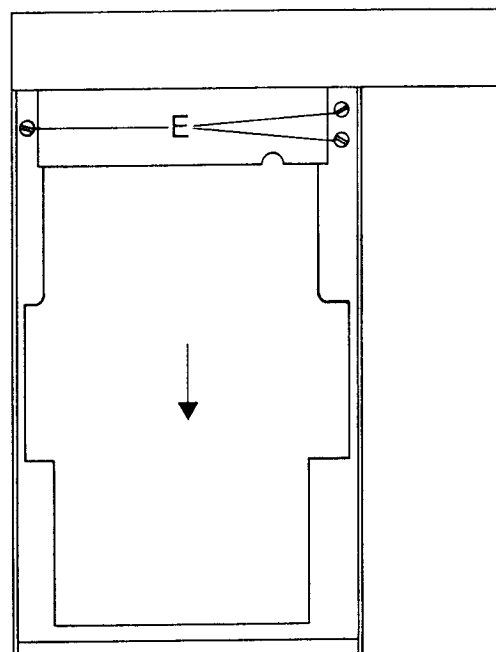


TAPE DECK

For Service Manuals Contact
MAURITRON TECHNICAL SERVICES
8 Cherry Tree Rd, Chinnor
Oxon OX9 4QY
Tel:- 01844-351694 Fax:- 01844-352554
Email:- enquiries@maurtron.co.uk

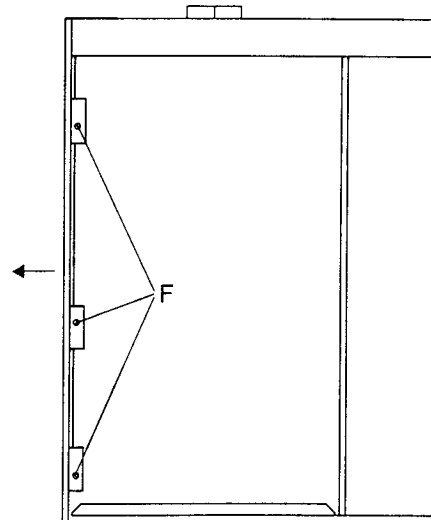


PC 9, TAPE AMPLIFIER

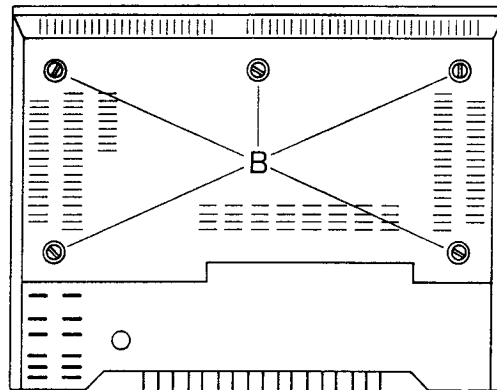


SIDE CABINET

For Service Manuals Contact
MAURITRON TECHNICAL SERVICES
 8 Cherry Tree Rd, Chinnor
 Oxon OX9 4QY
 Tel:- 01844-351694 Fax:- 01844-352554
 Email:- enquiries@maurtron.co.uk



BOTTOM PLATE BEOCENTER 2800, TYPE 2631



SERVICE TIPS

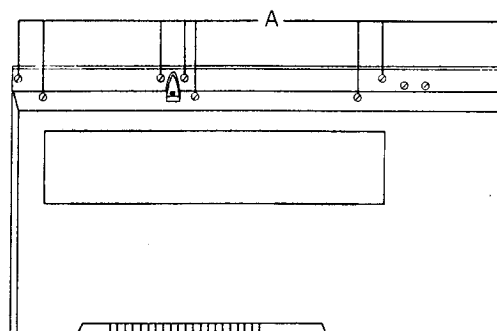
REMOVAL OF FRONT PROFILE

Remove gramophone, cassette cover, and the cabinet sides.



Push volume knob all the way to the right and push the tuning knob all the way to the left. Carefully take the dial cord out of the arms on the volume, tuning and level knobs.

Unsolder the leads on the preset unit.



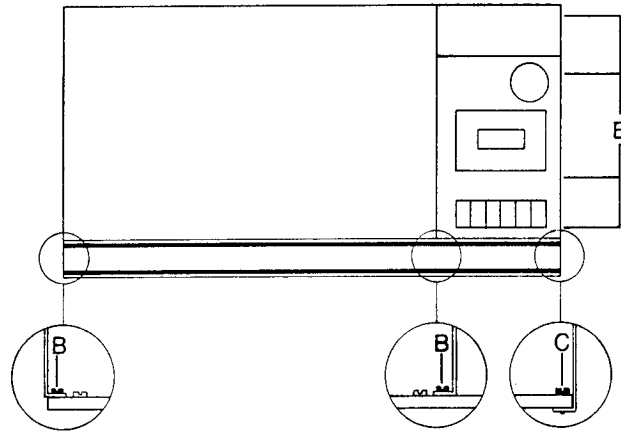
Remove screws A and B.

Loosen screws marked C and take the chassis sidepiece out of the notch in the front profile.

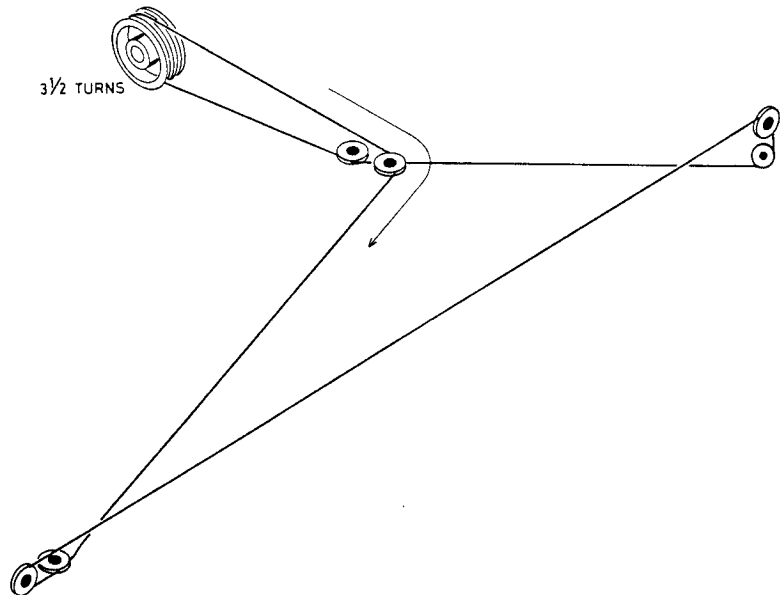
Carefully pull the front profile out (mind the cord drives) and remove the indicator holders.

When mounting the front profile make sure that the shafts of the slide potentiometers mesh with the slide knobs of the front profile.

Secure the dial cords with glue after they are mounted in the fork arms.



DIAL DRIVE



Dial cord is cut to a length of 125 cm and mounted as shown in the sketch.

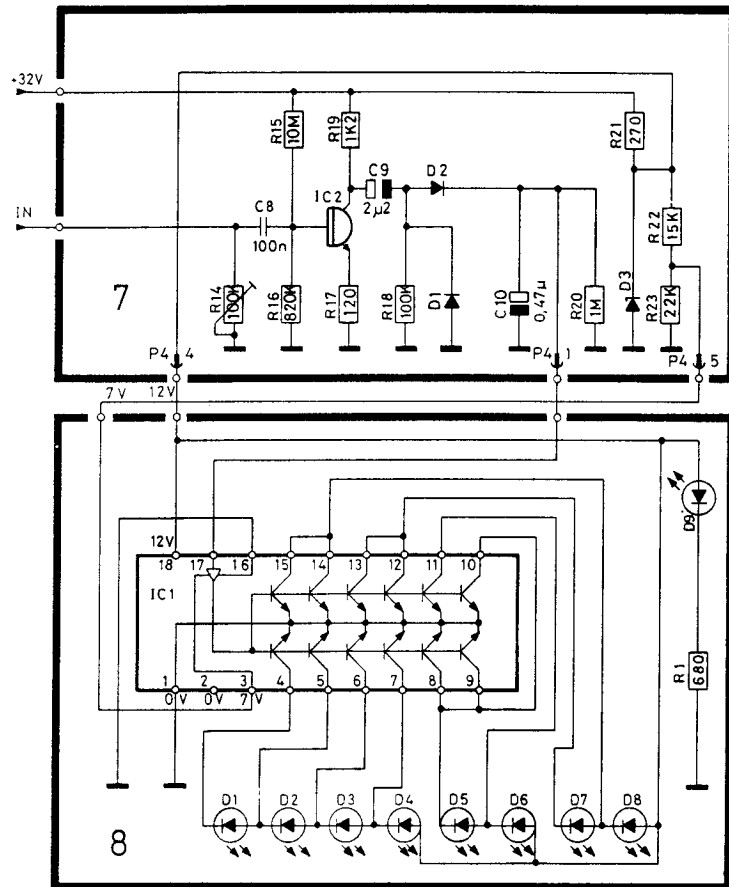
LEDNINGSFARVER COLOURS OF WIRES KABELFARBEN

b	black	schwartz	sort
bl	blue	blau	blå
br	brown	braun	brun
gr	green	grün	grøn
grey	grey	grau	grå
or	orange	orange	orange
r	red	rot	rød
v	violet	violett	violet
wh	white	weiss	hvid
y	yellow	gelb	gul

ELECTRICAL DESCRIPTION OF TAPE RECORDER

The tape recorder of the Beocenter 4600 is, except for the indicator circuit, electrically identical with the Beocord 1100, type 2612.

INDICATOR CIRCUIT



For Service Manuals Contact
MAURITRON TECHNICAL SERVICES
 8 Cherry Tree Rd, Chinnor
 Oxon OX9 4QY
 Tel:- 01844-351694 Fax:- 01844-352554
 Email:- enquiries@mauritron.co.uk

The recording level of the Beocenter 4600 is indicated by means of light-emitting diodes.

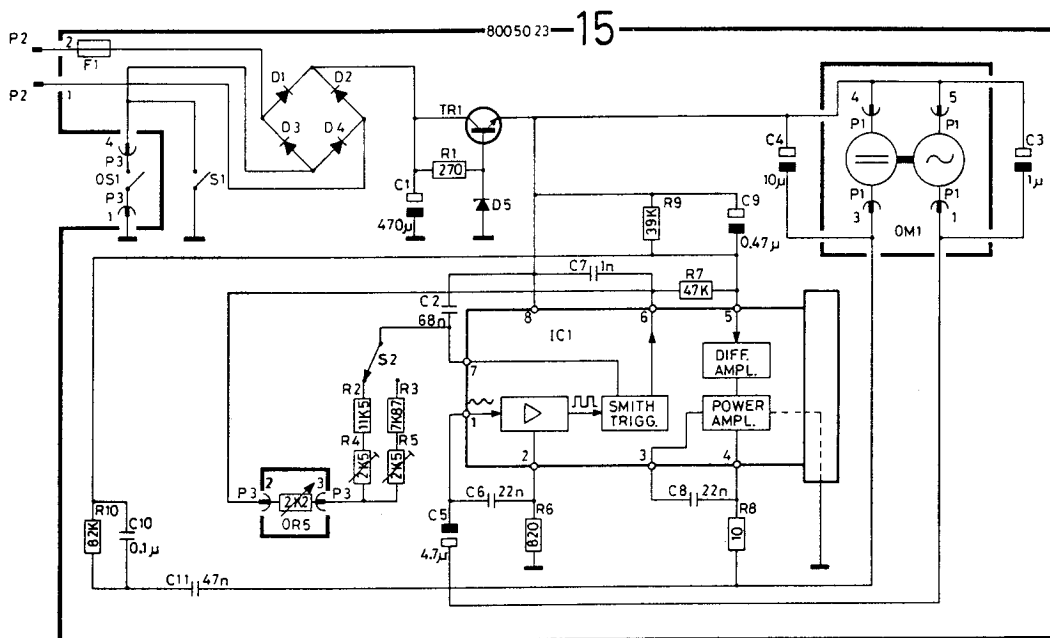
The AF signal is fed from the output of the recording amplifier to the base of 7IC2. 7R14 is for adjustment of VU 0. The AF signal is amplified in 7IC2 and rectified through 7D1 and 7D2 so that 7C10 carries a DC voltage whose value varies with the AF signal amplitude. The DC voltage is applied to pin 17 of 8IC1. Pin 17 is a DC amplifier which steps up the varying DC voltage. The DC amplifier has reference to chassis potential (pin 16) and to 7 V (pin 3). The value of the voltage at pin 3 determines the DC amplifier gain and hence the indicator's variation range.

The output of the DC amplifier is applied to the bases of a number of switch transistors, causing the outputs of 8IC1 to short-circuit to chassis potential at increasing voltage, in this sequence: pin 15, pin 14, pin 13, etc. In other words, 8D8 is the first green LED to light.

In order to have the same scale division as the VU meter, diodes 8D5 – 8D8 connect to two outputs of 8IC1. 8D1 and 8D2 indicate overdrive. 8IC1 is equipped with a constant-current generator so that a short-circuited LED will not damage the IC.

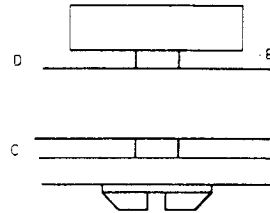
ELECTRICAL DESCRIPTION RECORD PLAYER

The turntable is driven by a tacho-controlled DC motor. In principle the circuit is identical to the tacho control in Beogram 4002 – 6000, type 5511 to 5514. A generator in the motor furnishes an AC voltage whose frequency is dependent on the motor speed. This AC voltage is via 15C5 fed to pin 1 of 15IC1. The AC voltage is converted into a square which is passed on to a Schmitt trigger. The frequency of the square, dependent on the motor speed, controls one of the output levels of the Schmitt trigger, the other output level is controlled from a variable time constant consisting 15C2, 15R2, 15R4, and 0R5 for 33 r.p.m., and 15C2, 15R5, and 0R15 for 45 r.p.m.



The output signal of the Schmitt trigger (pin 6) is integrated across 15R9 – 15C9 and fed to pin 5 which is a differential amplifier. The integrated signal at pin 5 will be a DC voltage which varies with the motor speed. This DC voltage is fed via the differential amplifier. The power amplifier is connected as a variable resistor to chassis potential. 15C11 – 15C10 – 15R10 provide negative feedback for the power amplifier, preventing "overregulation". 15R8 is connected as current limiter in series with the motor to prevent the motor from catching when starting up.

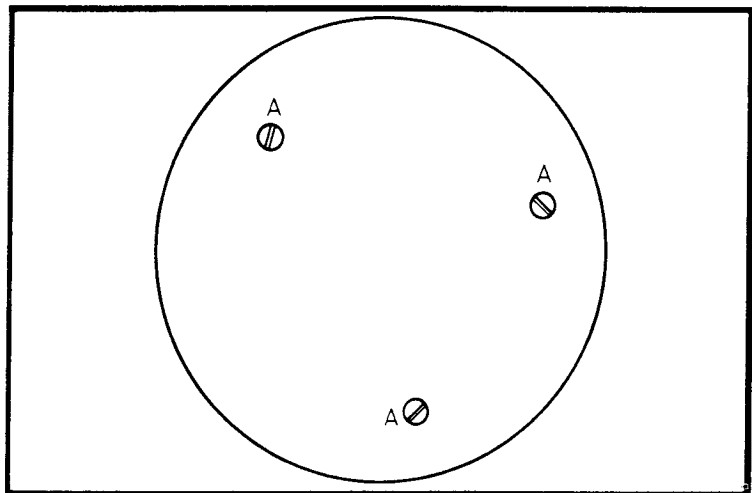
ADJUSTMENTS RECORD PLAYER



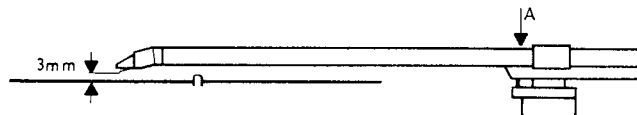
CHASSIS HEIGHT

Place the turntable and two weight-wise normal LP records on it. The chassis should then float freely from all three transit bushings (see points B). The turntable should likewise be parallel with the cover plate. Adjustments are performed with screws A.

For Service Manuals Contact
MAURITRON TECHNICAL SERVICES
 8 Cherry Tree Rd, Chinnor
 Oxon OX9 4QY
 Tel:- 01844-351694 Fax:- 01844-352554
 Email:- enquiries@mauritron.co.uk

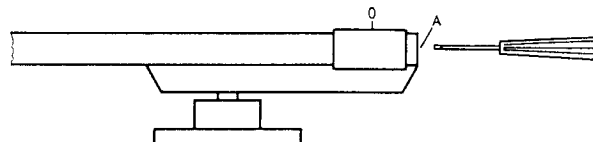


PICK-UP HEIGHT



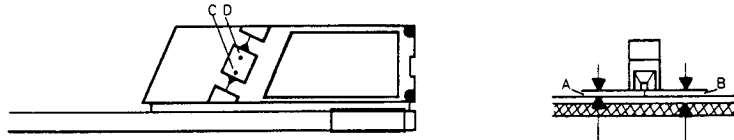
Put a record on the turntable. Place the pickup arm above the run-off groove. Adjust the screw A until the distance from the stylus to the record is 3 mm. Adjustment is performed with a counterbalance weight inserted.

PICKUP ARM BALANCE



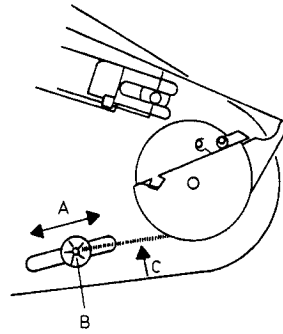
Set the stylus-force adjustment slider to the 0 position. Adjust screw A until the pickup arm is only just in balance. Thereafter set the stylus force to the recommended value.

PICKUP PARALLELISM



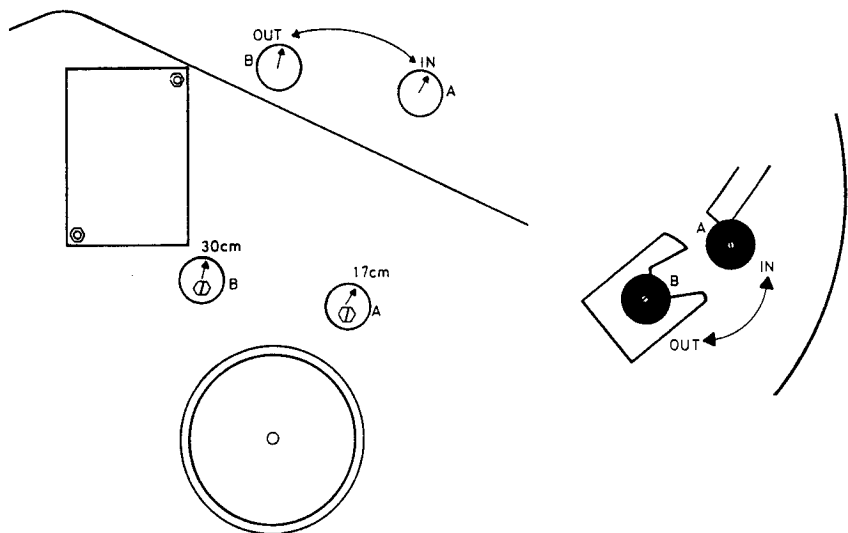
With screws C and D adjust so that distances A and B are identical and the plane portion of the pickup is parallel with the top side of the record. Adjustment is performed with a counterbalance weight inserted.

ANTISKATING



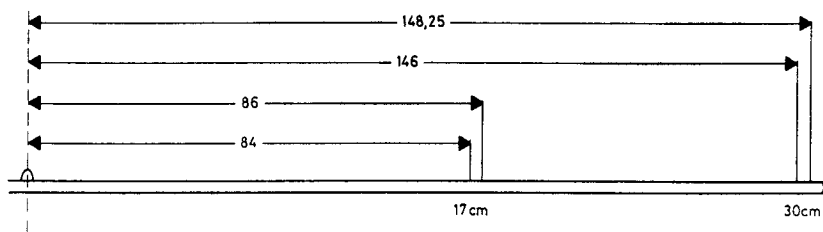
Put test record 3621004 on the turntable.
 Set stylus force to 1.2 grams.
 Play cut 1.
 Connect oscilloscope to right and left channels.
 Push arm B in direction of arrow A until the same amount of distortion is present in both channels (in case of distortion in left channel, slacken spring C; for right channel, tighten the spring).
 Check:
 Set stylus force to 1.4 grams.
 Again play cut 1 with oscilloscope connected to right and left channels; no distortion should occur.

PICKUP ARM LANDING

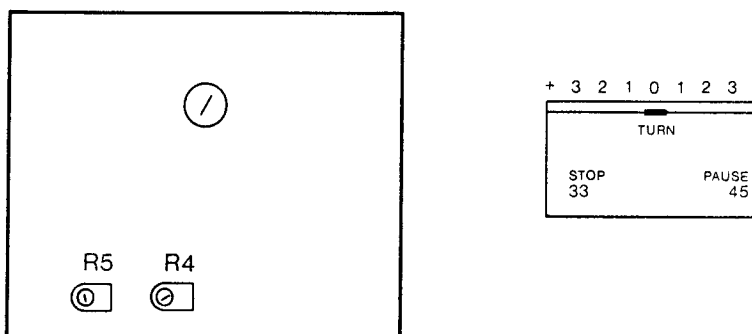


With "45" activated, adjust excentric A so that the pickup when travelling in automatically will lower into the field marked 17 cm in the sketch above. Excentric B should be adjusted so that the pickup lowers into the field marked 30 cm with "33" activated.

ADJUSTMENTS



SPEED ADJUSTMENT



Set the scale for speed adjustment to 0.

Adjust 33 r. p. m. with potentiometer 15R4.

Adjust 45 r. p. m. with potentiometer 15R5.

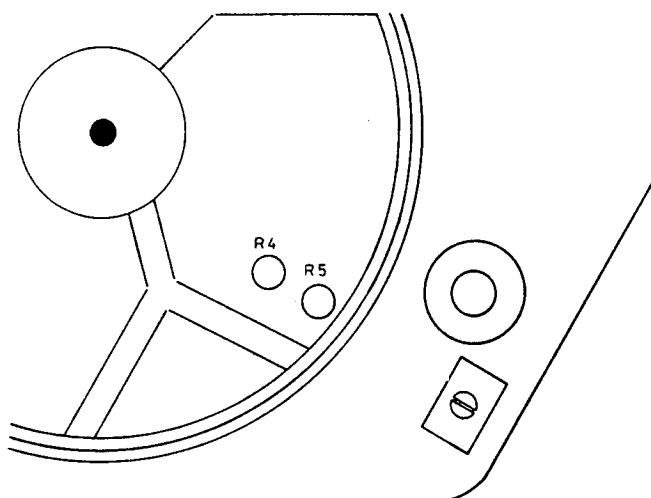
Speed can be checked in more than one way.

1. Stroboscope disc and a lamp connected to the mains. This check has an inherent uncertainty of approx. 3 % since the mains frequency deviates by approx. ± 1 Hz at 50 Hz.
2. Stroboscope disc and stroboscope lamp. This gives an accuracy corresponding to the tolerance of the stroboscope lamp, usually much better than that of the mains frequency.

NB. 15R4 and 15R5 may be adjusted from above.

Dismount the turntable.

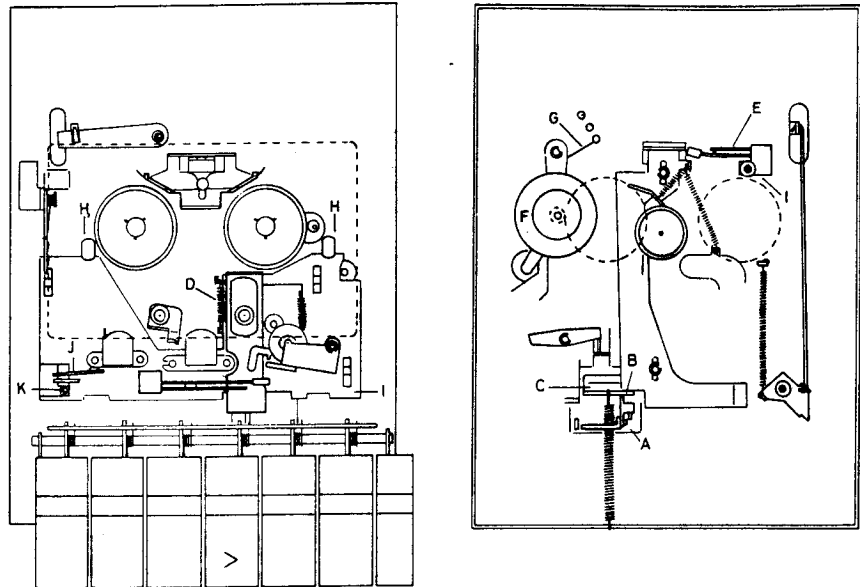
For Service Manuals Contact
MAURITRON TECHNICAL SERVICES
 8 Cherry Tree Rd, Chinnor
 Oxon OX9 4QY
 Tel: 01844-351694 Fax: 01844-352554
 Email: enquiries@mauritron.co.uk



MECHANICAL FUNCTION
AND ADJUSTMENT

The sketches below show the mechanical functions of the tape mechanism. Only activate mechanical parts are accentuated.

PLAY

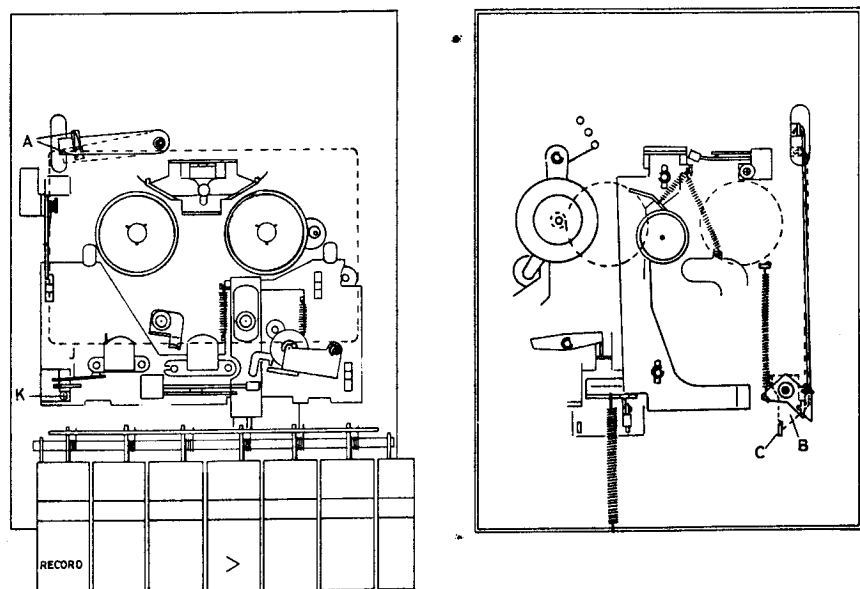


When the Play button is in its depressed and locked position there should be contact between A, B and C; and spring D should be tight. Also, plate I should go all the way forwards against stop blocks H.

When the right-hand reel is stopped, clutch F should slide in the friction between felt and Delrin (Delrin is a Plastic). If it does not, tighten spring G or replace clutch F. Switch E should be ON. Adjustment can be made by loosening screw I and turning switch E.

The switch J must be OFF, but take care that the switch J is ON in position stop and fast tape motion. This may be adjusted by the screw K.

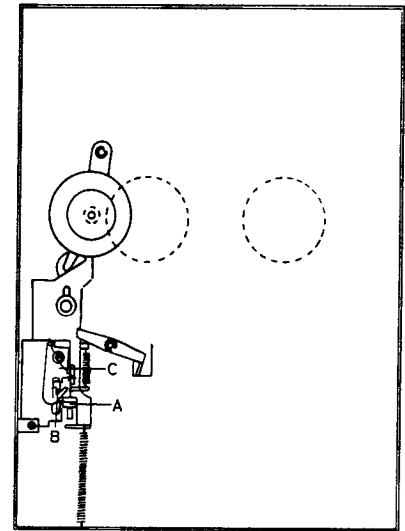
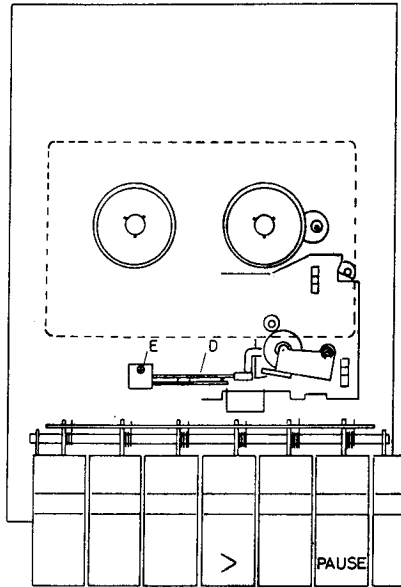
RECORD



Arm A should be adjusted (bent) so that angle B provides positive locking of arm C (Record button) when a cassette is inserted with the record lock window open and so that arm B is positively disengaged from arm C when the cassette record lock window is closed.

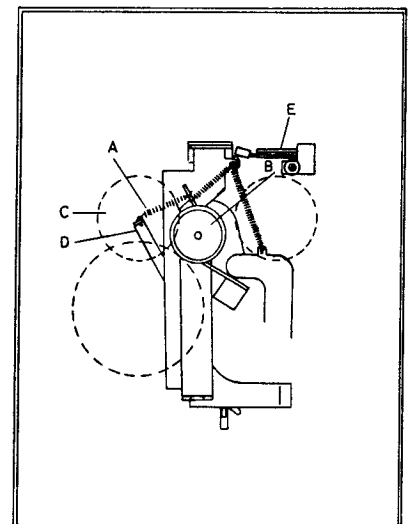
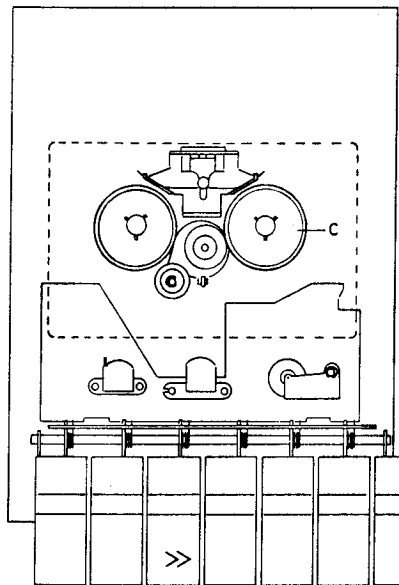
PAUSE

For Service Manuals Contact
MAURITRON TECHNICAL SERVICES
 8 Cherry Tree Rd, Chinnor
 Oxon OX9 4QY
 Tel:- 01844-351694 Fax:- 01844-352554
 Email:- enquiries@mauritron.co.uk



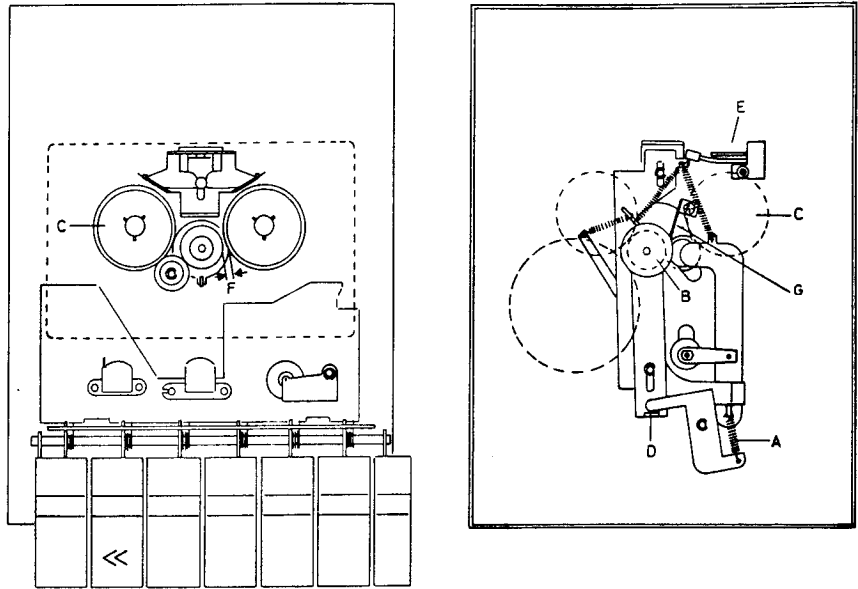
Tag A should be bent so that the thrust roller is pulled positively clear of the capstan shaft and so that pin B is positively gripped by locking mechanism C when the pause button is depressed.
 Switch D should be ON. This can be adjusted by loosening screw E and turning switch D.

FAST FORWARD



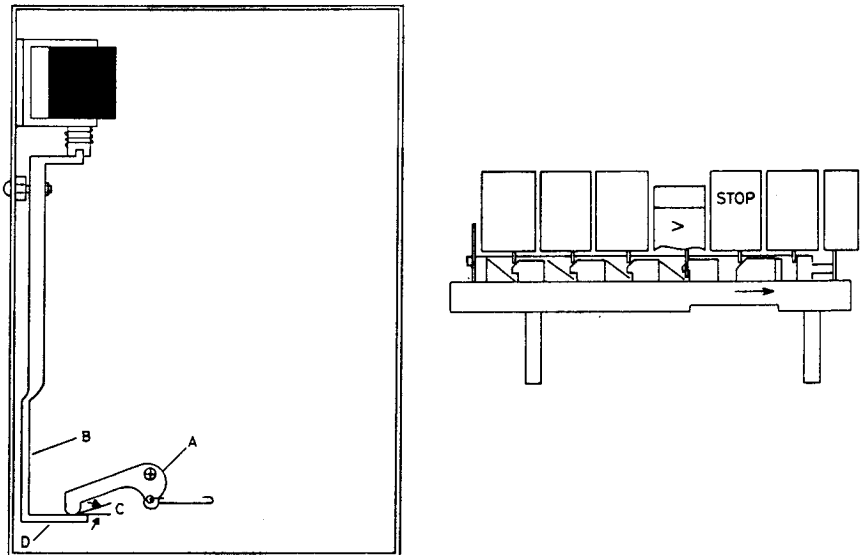
Spring A should be only just tight enough so that the transmission slips in the clutch below idler wheel B when reel C is held fast. Adjustment is carried out by bending D. (Spring A must not be tight during Rewind). It may be necessary to replace or adjust idler wheel and clutch B.
 Switch E should be ON.

REWIND



With the unit set at Stop, adjust leaf spring G so that spacing F \leq 0.4 mm. Spring A should be only just tight enough so that the transmission slips in the clutch below idler wheel B when reel C is held fast. It may be necessary to adjust or replace clutch B. Switch E should be ON.

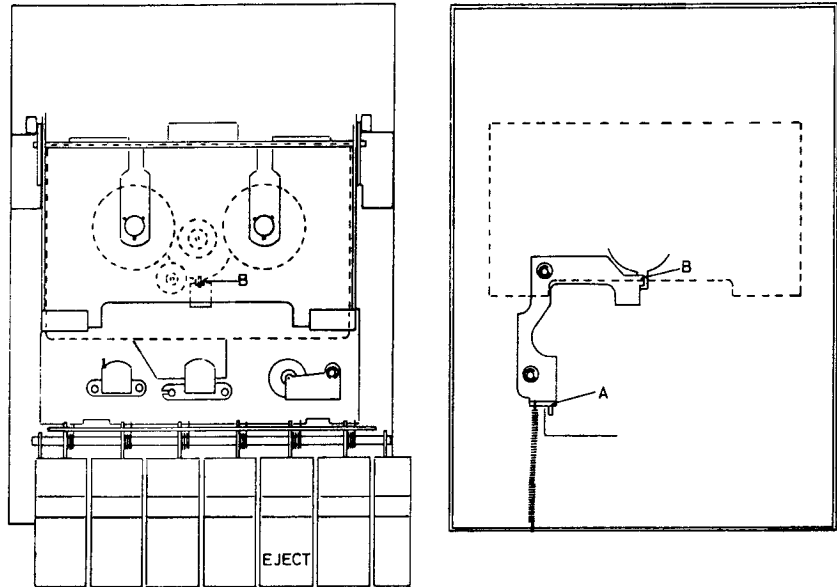
STOP / AUTOMATIC STOP



The arm B should be bent at point D so that spacing C between A and B is zero with the unit in the Stop and Play positions.

For Service Manuals Contact
MAURITRON TECHNICAL SERVICES
 8 Cherry Tree Rd, Chinnor
 Oxon OX9 4QY
 Tel:- 01844-351694 Fax:- 01844-352554
 Email:- enquiries@maurtron.co.uk

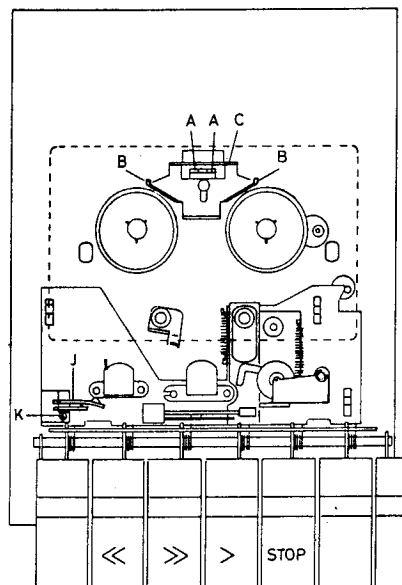
EJECT



Eject should be adjusted so that notch B locks the cassette holder when the latter is pressed down and so that it releases positively when the Eject button is depressed (with all other buttons released).

Adjustment is performed by bending the angle A. Adjustment should be made so that Stop does not release Eject.

BRAKES



For Service Manuals Contact
MAURITRON TECHNICAL SERVICES
 8 Cherry Tree Rd, Chinnor
 Oxon OX9 4QY
 Tel: 01844-351694 Fax: 01844-352554
 Email: enquiries@mauritron.co.uk

Brakes B should disengage positively and simultaneously from the reels when one of the fast tape movements or Play are operated. The brakes are adjusted by bending tags A. In addition, adjustment should be so that clearance exists between A and brake disc C with the unit set at Stop.

LUBRICATION

The need for lubrication is negligible, but the directions given below should be followed during overhauls and when replacing major mechanical components.

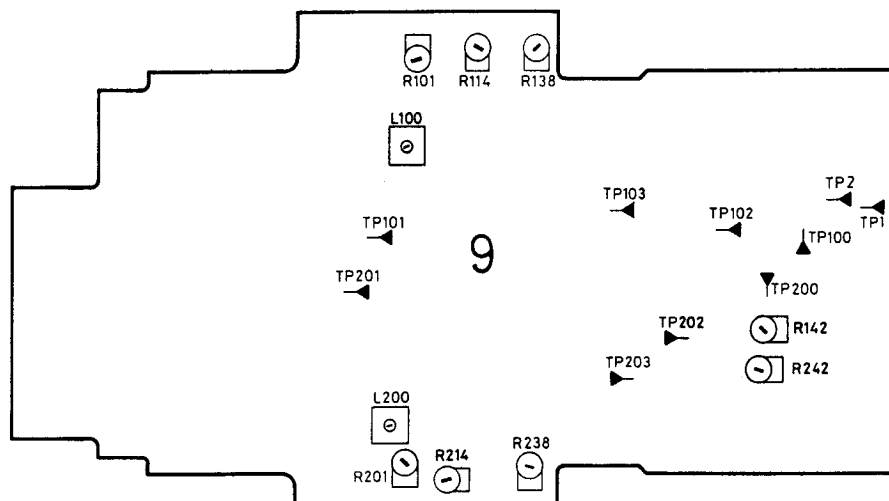
Capstan shaft bearing (top) 2 × Sliding surface against pulley	3984211 Oilit, Castrol (small amount)
Idler wheel 276: Face sliding against shaft 277 Angle 344: Face sliding against arm 340, arm 345 and arm 349 Angle 277: Face sliding against arm 234 Angle 330: Face sliding against chassis and washers on two guide pins	3984216 Molykote (pasta G, small amount)
Spring 216: Surface of contact with 218 Ball 218: Surface of contact with 216 and 222 Tape head bridge 222: Surface of contact with 226 (4 rollers) and 218 (2 balls) Roller 226: Surface of contact between chassis and 222 Arm 220: Face sliding against chassis 222	3984217 Gear grease, Bosch (small amount)
Capstan bearing (bottom)	Keep clean

ELECTRICAL ADJUSTMENTS

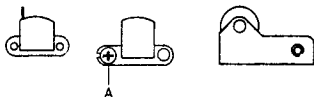
TAPE RECORDER

Non-bracketed references apply to left channel; bracketed ones apply to right channel.

For Service Manuals Contact
MAURITRON TECHNICAL SERVICES
 8 Cherry Tree Rd, Chinnor
 Oxon OX9 4QY
 Tel: 01844-351694 Fax: 01844-352554
 Email: enquiries@mauritron.co.uk



AZIMUTH



Demagnetise sound head and erase head.

Connect AF vacuum-tube voltmeter at 9TP100 (9TP200).

Insert azimuth tape 6780036.

Adjust screw A for max. response in both channel and identical output for left and right channels (mean value).

Lock screw A with glue.

19 kHz FILTER

Connect tone generator at 9TP101 (9TP201). Set generator to deliver 19 kHz 100 mV.

9R101 (9R201) to mid-scale.

Connect AF vacuum-tube voltmeter at 9TP102 (9TP202).

Adjust 9L100 (9L200) for min. AF vacuum-tube voltmeter reading.

PLAYBACK LEVEL

Insert Pegel tape (333 Hz), 6780035.

Adjust 9R101 for 720 mV as measured with AF vacuum-tube voltmeter at 9TP100.

Adjust 9R201 for 720 mV as measured at 9TP200.

PLAYBACK FREQUENCY RESPONSE

Activate CrO₂.

Insert playback frequency tape 6780056 (time constants 70 μ sec. and 3180 μ sec.).

Adjust 9R114 so that 12.5 kHz level is max. 1.5 dB below 250 Hz level as measured with AF vacuum-tube voltmeter at 9TP100.

(9R214 at 9TP200).

INDICATOR AND RECORD AMPLIFIER

Stop erase generator (short-circuit 9C7).

Set tone generator to deliver 333 Hz 100 mV as measured with AF vacuum-tube voltmeter at 9TP1.

Connect AF vacuum-tube voltmeter at 9TP103.

Set record potentiometer so that 3 V is measured at 9TP103.

Adjust 7R14 so that first red LED lights.

Back off tone generator 20 dB.

Read and note voltage at 9TP103.

Set tone generator to deliver 12.5 kHz.

Adjust 9R138 so that 12.5 kHz level at 9TP103 is 14 dB higher than 333 Hz level.

Set tone generator to deliver 333 Hz 100 mV as measured with AF vacuum-tube voltmeter at (9TP2).

Connect AF vacuum-tube voltmeter at (9TP203).

Set record potentiometer so that 3 V is measured at (9TP203).

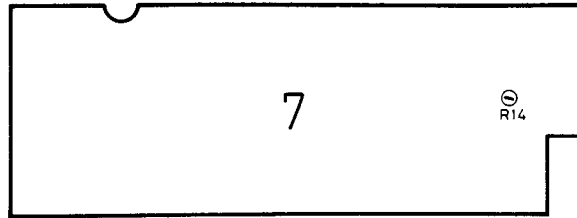
Back off tone generator 20 dB.

Read and note voltage at (9TP203).

Set tone generator to deliver 12.5 kHz.

Adjust (9R238) so that 12.5 kHz level at (9TP203) is 14 dB higher than 333 Hz level.

Remote short-circuit from across 9C7.



BIAS

Set tone generator to deliver 333 Hz 100 mV as measured with AF vacuum-tube voltmeter at 9TP1 (9TP2).

Connect AF vacuum-tube voltmeter at 9TP100 (9TP200).

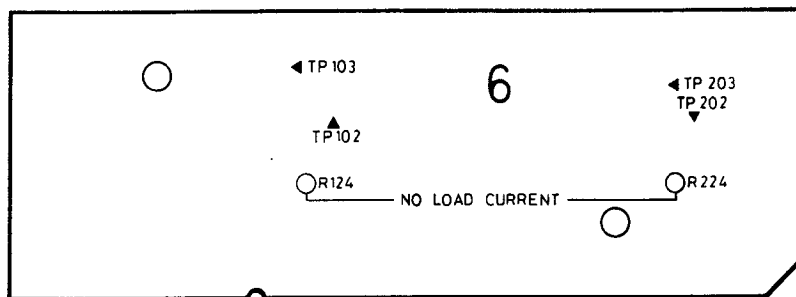
Insert standard tape 6780040.

Adjust record potentiometer so that first red LED only just lights.

Back off tone generator 20 dB.

Record and play back 333 Hz and 12.5 kHz. Adjust 9R142 (9R242) so that 12.5 kHz level is 2.5 dB below 333 Hz level.

ADJUSTMENTS RADIO PART



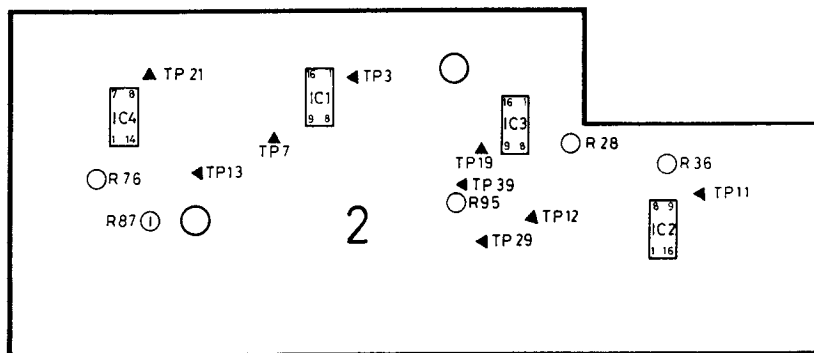
NO-SIGNAL CURRENT

No-signal current is adjusted with the receiver cold and with the volume control turned fully down. *Speakers must not be connected.*

With 6R124 (6R224) adjust for 25 mA collector current in 6IC100 (6IC200) or 10 mV across 6R125 (6R225), 6TP102 and 6TP103 (6TP202 and 6TP203).

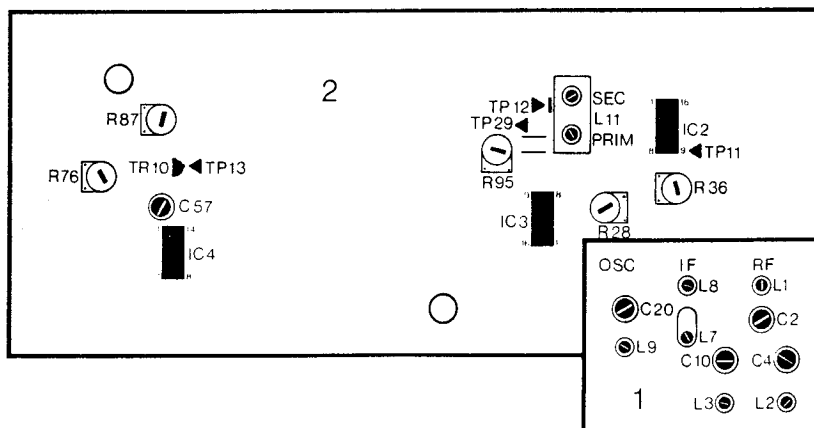
After power has been applied for 10 minutes with the volume control turned fully down, check the no-signal current and again adjust for 25 mA or 10 mV across the emitter resistor.

TUNING VOLTAGE



For Service Manuals Contact
MAURITRON TECHNICAL SERVICES
 8 Cherry Tree Rd, Chinnor
 Oxon OX9 4QY
 Tel: 01844-351694 Fax: 01844-352554
 Email: enquiries@mauritron.co.uk

Depress the FM button and turn the FM dial pointer against the right-hand stop. Adjust 2R28 for 25.5 V at 2TP19. Turn FM dial pointer against the left-hand stop. Adjust 2R95 for 4.6 V at 2TP39.



FRONT END, TUNER

Set dial potentiometer at 89 MHz. Set sweep generator at 89 MHz. Adjust 1L1, 1L2, 1L3 and 1L9 for max. IF curve at 2TP11.

Set dial pointer at 106 MHz. Set sweep generator at 106 MHz. With 1C2, 1C4, 1C10 adjust for max. IF curve.

Check dial accuracy and repeat adjustments if necessary.

Set dial pointer at 97 MHz. Set sweep generator at 97 MHz.

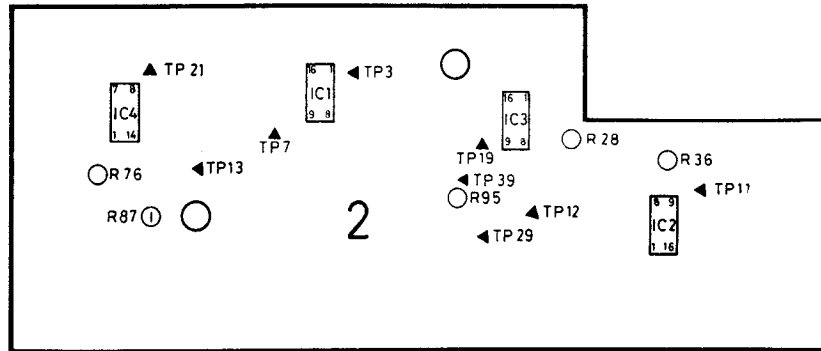
With 1L7 and 1L8 adjust for max. IF curve.

IF AND DETECTOR

Tune in a weak signal, under 10 μ V, without the AFC cut in. Measure DC voltage at 2TP13. Set tuning control for min. DC voltage, representing correct tuning to signal.

Apply a strong signal (0.5 mV) to the receiver. With the detector coils of 2L11 adjust for max. output signal at 2TP12.
With the sec. of 2L11 adjustment can be made for min. distortion as measured at 2TP12.

TUNING INDICATOR



Tune the receiver correctly to an FM station (0 V between pin 5 and pin 6 of 2IC2 (2TP12 and 2TP29).

With 2R87 adjust for identical brightness of both lamps.

LEVEL

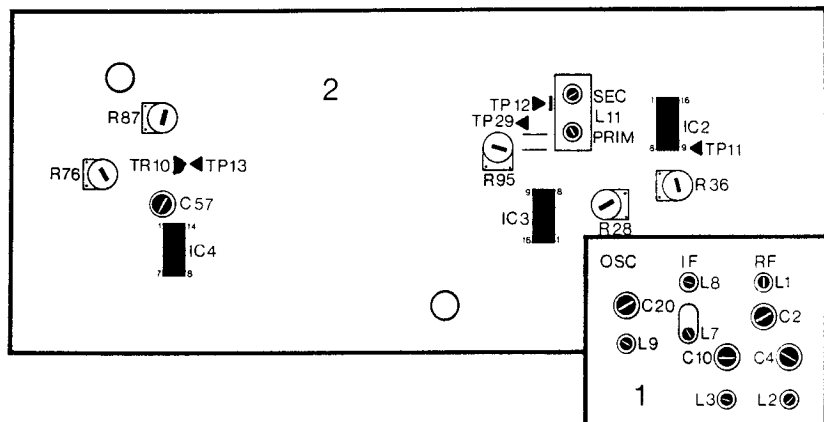
Apply a 10 μ V signal to the aerial input.

Depress AFC/ST button.

Tune receiver accurately to the signal generator frequency, say 97 MHz.

Adjust 2R36 so that muting only just operates.

DECODER



Shut off the stereo decoder input by shorting 2R58. With 2C57 adjust the internal oscillator accurately to 19 kHz as measured at 2TP21.

The accuracy can be checked in two ways:

1. By connecting a frequency counter to 2TP21.
2. By applying 19 kHz from 2TP21 to the oscilloscope y-input and 19 kHz from a stereo coder to the oscilloscope x-input. When the Lissajous figure is stationary, adjustment is correct.

A third way to adjust the internal oscillator is as follows:

3. Tune in a stereo signal. Turn 2C57 to one side until the stereo lamp goes out. Then turn 2C57 to the other side until the stereo lamp goes out. The setting midway between these two settings represents correct adjustment.

CHANNEL SEPARATION

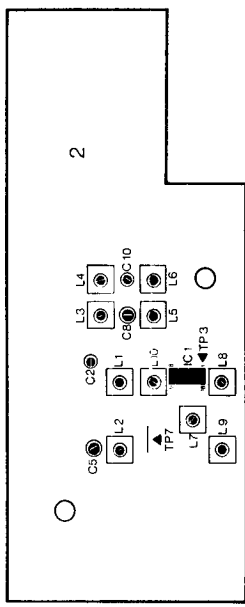
Connect stereo coder to aerial input, f. mod. 1 kHz, Δf 40 kHz, pilot 8 - 10 %, AFC on.

Connect wattmeter to amplifier output.

Set treble control at min. With 2R76 adjust for min. output in the unmodulated channel.

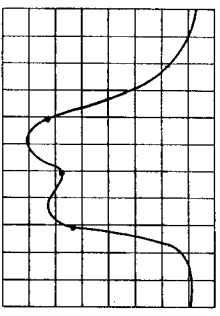
Make this adjustment both with unmodulated left channel and with unmodulated right channel.

Coils 2L12, 2L13, 2L14 and 2L15 are factory adjusted and should not be touched.



AM IF

Set receiver to MW, approx. 575 kHz.
 Connect sweep generator to pin 1 of 2IC1 (2TP3).
 Set sweep generator at 468 kHz. Δf 10 kHz (IF can be 468 kHz \pm 1.5 kHz due to ceramic filter tolerances).
 Connect oscilloscope to 2TP7.
 Turn dust cores of 468 kHz parallel trap 2L5 and series trap 2L6 all the way out.
 With 2L7, 2L8, 2L9 and 2L10 adjust for maximum IF curve (as shown in sketch).



NOTE: Use weakest possible signal while aligning, so as to avoid operating the AGC.

PARALLEL AND SERIES TRAPS

Connect signal generator to aerial input through dummy aerial. Set generator to deliver 468 kHz, mod. 30 % 400 Hz.
 Connect wattmeter to amplifier output. Set treble control at min.
 Set signal generator frequency to centre of receiver IF passband.
 With 2L5 and 2L6 adjust for min. wattmeter reading.

MW OSCILLATOR AND SIGNAL FREQUENCY CIRCUITS

Connect signal generator to aerial input through dummy aerial. Set generator to deliver 575 kHz, mod. 30 %, 400 Hz.
 Connect wattmeter to aerial output.
 Depress MW button. Set receiver to 575 kHz.
 With 2L1 align oscillator to that receiver is centered on the transmitting frequency.
 With 2L4 adjust for max. wattmeter reading.
 Set signal generator and receiver at 1495 kHz.
 With 2C2 align oscillator.
 With 2C10 adjust signal-frequency circuit for max. response.
 Repeat adjustment procedure until correct dial matching and max. signal-frequency circuit response are obtained.
 End with 2C10.

LW OSCILLATOR AND SIGNAL FREQUENCY CIRCUITS

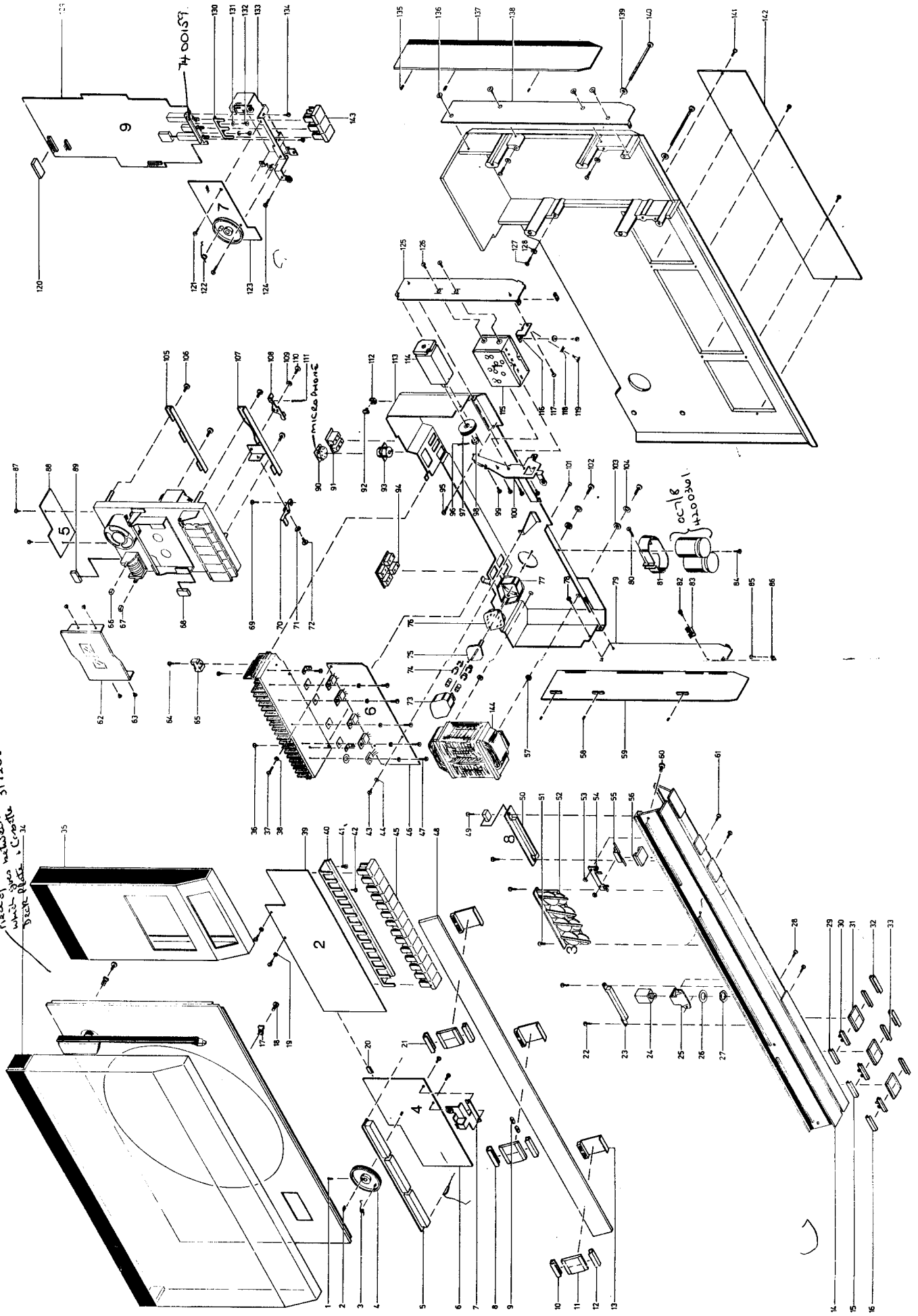
Depress LW button. Set signal generator and receiver at 155 kHz.
 With 2L2 align oscillator.
 With 2L3 adjust signal-frequency circuit for max. response.
 Set signal generator and receiver at 320 kHz.
 With 2C5 align oscillator.
 With 2C8 adjust signal-frequency circuit for max. response.

Repeat adjustment procedure until correct dial matching and max. signal-frequency circuit response are obtained.
 End with 2C8.
 NOTE: Use a weak signal when adjusting the AM oscillators. Adjust, by listening, for max. noise suppression in the centre of the frequency.

60 HZ KIT	8410003
3190066	Tape Deck
3302109	
3015019	
3502275	
8002286	Heater Tuning Control
8230066	Heater
3302290	Heater Control
7400109	SWITCH BANK WITH OFF SWITCH
7400160	COMPLETE SWITCH BANK
7400130	Record Playback Switch
7400131	
6270207	Ext Head
6585027	Rubber Foot
7450044	ON-OFF SWITCH

For Service Manuals Contact
MAURITRON TECHNICAL SERVICES
 8 Cherry Tree Rd, Chinnor
 Oxon OX9 4QY
 Tel: 01844-351694 Fax: 01844-352554
 Email: enquiries@mauritron.co.uk

pieces marked with
this logo indicate
best part - Crosbie
3172080



- | | | | | | |
|----|--------------------|---------------------------------------|--|---------|---|
| 1 | 2072919 | Threaded pin | | 2622245 | Mica sheet TO-126
(1 piece) |
| 2 | 2380003 | Square nut M3 | | 2622248 | Mica sheet TO-220
(5 pcs.) |
| 3 | 0335149 | Spring | | 2624032 | Spring washer TO-220 |
| 4 | 2724050 | Wheel <i>Volume</i> | | 2938127 | Bushing TO-220 |
| 5 | 8002319 | PC unit | | 47 | 2039010 Screw |
| 6 | 8002318 | PC 4 | | 48 | 3191096 Dial, Beocenter 4600 |
| | 2548134 | Bracket | | | 3191097 Dial, Beocenter 2800 |
| 7 | 2548146 | Bracket | | 49 | 2038216 Screw |
| 8 | 3302110 | Screen, TUNING | | 50 | 8004164 PC 8 |
| 9 | 2794018 | Wheel <i>2794023</i> | | 51 | 2038208 Screw |
| 10 | 3302274 | Screen, VOLUME | | 52 | 8002286 PC 3 |
| 11 | 3190066 | Pointer glass | | 53 | 2380011 Nut M3 |
| 12 | 3302109 | Screen | | 54 | 2816150 Bronze spring |
| 13 | 3015079 | Slide | | 55 | 3030037 Hinge |
| 14 | 2568479 | Front moulding, Beocenter 4600 | | 56 | 3162120 Cover, MIC |
| | 3456086 | End piece, right <i>BLACK PLASTIC</i> | | 57 | 2938081 Rubber bushing |
| | 3456087 | End piece, left <i>BLACK PLASTIC</i> | | 58 | 2070701 Threaded pin |
| | 2568480 | Front moulding, Beocenter 2800 | | 59 | 3412481 Cabinet set, teak |
| 15 | 3152095 | Screen, TREBLE <i>3152243</i> | | | 3412483 Cabinet set, rosewood |
| 16 | 3152096 | Screen, BASS <i>3152241</i> | | 60 | 2042205 Screw |
| 17 | 2640034 | Clamp | | 61 | 2038007 Screw |
| 18 | 2042244 | Screw | | 62 | 3164148 Cover <i>3164334</i> |
| 19 | 2622052 | Fibre washer | | 63 | 2034042 Screw |
| 20 | 3152063 | Holder | | 64 | 2038235 Screw |
| 21 | 3302275 | Screen, LEVEL <i>TUNING</i> | | 65 | 3152100 Holder |
| 22 | 2038247 | Screw | | 66 | 2775516 Button, O |
| 23 | 3322050 | Window | | 67 | 2775517 Button, M |
| 24 | 7212021 | Jack socket | | 68 | 6275325 Wire bundle with plug |
| 25 | 2548141 | Bracket | | | 7500129 Contact pin |
| 26 | 2622157 | Washer | | 69 | 2038216 Screw |
| 27 | 2380092 | Nut | | 70 | 2542456 Bracket |
| 28 | 2038007 | Screw | | 71 | 2622265 Wash |
| 29 | 3152098 | Screen, BALANCE <i>3152242</i> | | 72 | 2038066 Screw |
| 30 | 3015033 | Slide | | 73 | 3164066 Cover |
| 31 | 3190076 | Pointer glass | | 74 | 7500033 Fuse holder |
| 32 | 3152093 | Screen, <i>3152092</i> | | 75 | 3120194 Holder |
| 33 | 3015032 | Slide | | 76 | 7401001 Mains switch <i>VOLTAGE SELECT</i> |
| 34 | 3164312 | Dust cover, assembled, Beocenter 4600 | | 77 | 0534104 Screen |
| | 3164313 | Dust cover, assembled, Beocenter 2800 | | 78 | 2038201 Screw |
| 35 | 2568481 | Cover | | 79 | 3470078 Bracket |
| | 3168079 | Operating panel | | 80 | 2038216 Screw |
| 36 | 2013213 | Screw | | 81 | 2514022 Clamp |
| 37 | 2039010 | Screw | | 82 | 2038201 Screw |
| 38 | 2622052 | Fibre washer | | 83 | 2548147 Bracket |
| 39 | 8002336 | PC 2 | | 84 | 2013024 Screw |
| | 2548143 | Bracket, left | | 85 | 2038247 Screw |
| | 2548134 | Bracket, right | | 86 | 2643014 Clamp |
| | 2622245 | Mica sheet TO-126 | | 87 | 2013200 Screw |
| | 2624031 | Spring washer TO-126 | | 88 | 8004171 PC 5 |
| 40 | 2542450 | Bracket | | 89 | 7210129 Socket/housing |
| 41 | 2013062 | Screw | | | 7500114 Contact pin (5 pcs.) |
| 42 | 2013024 | Screw | | | 7500129 Contact pin (2 pcs.) |
| 43 | 2013024 | Screw | | 90 | 7211049 Socket 5-contact MICROPHONE |
| 44 | 2622052 | Fibre washer | | 91 | 7211042 Socket FM |
| 45 | 2775593 | Button, <i>A 1</i> | | | 7211043 Socket AM |
| | 2775594 | Button, <i>A 2</i> | | 92 | 2641062 Locking plate |
| | 2775595 | Button ST-AFC <i>810</i> | | 93 | 7211050 Socket 75 ohms AERIAL |
| | 2775596 | Button, MONO <i>810</i> | | 94 | 7211047 Socket 2-contact |
| | 2775597 | Button, TAPE | | 95 | 2038201 Screw |
| | 2775598 | Button, PHONO <i>810</i> | | 96 | 2812043 Spring |
| | 2775599 | Button, LW <i>810</i> | | 97 | 2724050 Wheel <i>2724033 cord drive pulley</i> |
| | 2775600 | Button, MW <i>810</i> | | 98 | 2395031 Spire |
| | 2775601 | Button, FM <i>810</i> | | 99 | 2036203 Screw |
| | 2775602 | Button, P1 <i>810</i> | | 100 | 2542471 Bracket |
| | 2775603 | Button, P2 <i>810</i> | | 101 | 2013213 Screw |
| | 2775604 | Button, P3 <i>810</i> | | 102 | 2042240 Screw |
| | 2775605 | Button, P4 | | 103 | 2938081 Rubber bushing |
| | 2775606 | Button, OFF <i>W.L.A.</i> | | 104 | 2622024 Washer |
| 46 | 8002301 | PC 6 | | 105 | 2548126 Bracket |
| | 2548111 | Bracket | | 106 | 2042205 Screw |
| | | | | 107 | 2548129 Bracket |
| | | | | 108 | 2542429 Bracket |

For Service Manuals Contact
MAURITRON TECHNICAL SERVICES
8 Cherry Tree Rd, Chinnor
Oxon OX9 4QY
Tel:- 01844-351694 Fax:- 01844-352554
Email:- enquiries@mauritron.co.uk

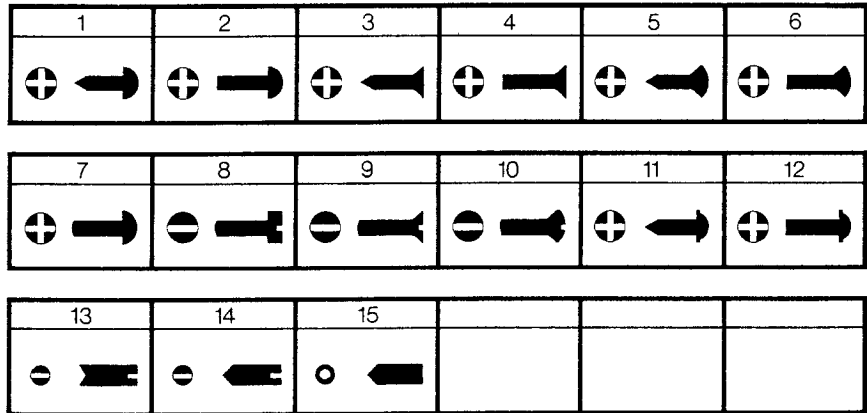
- 109 2622265 Washer
- 110 2038066 Screw
- 111 2810085 Spring
- 112 2641061 Bushing
- 113 3452287 Chassis
- 114 4310011 Variable capacitor
- 5300100 Potentiometer 100 kohms
- 115 8050071 Front-end unit
- 116 2548139 Bracket
- 117 2038201 Screw
- 118 2724000 Cord pulley
- 119 2993029 Screw
- 120 7210130 Socket/housing
- 7500114 Contact pin
- 121 2038206 Screw
- 122 0335149 Spring
- 123 8004163 PC 7
- 2011201 Screw
- 2724027 Wheel
- 2072706 Threaded pin
- 124 2038247 Screw
- 125 3470077 Bracket
- 126 2038206 Screw
- 127 2038214 Screw
- 128 2622024 Washer
- 129 8004165 PC 9
- 3131018 Distance bushing for switch
- 130 2542449 Bracket
- 131 2622013 Washer
- 132 2013200 Screw
- 133 2542472 Bracket
- 134 2013024 Screw
- 135 2070701 Threaded pin
- 136 2015201 Screw
- 137 3412481 Cabinet set, teak
- 3412483 Cabinet set, rosewood
- 3412485 Cabinet set, white
- 138 3470079 Bracket
- 139 2622086 Washer
- 140 2042026 Screw
- 141 2039010 Screw
- 142 3302273 Screen
- 143 2775607 Button, ON - OFF
- 2775608 Button, DOLBY-NR.
- 2775609 Button, CrO₂
- 144 8013170 Mains transformer *

7400159

* after 512 1536001 use 8013193

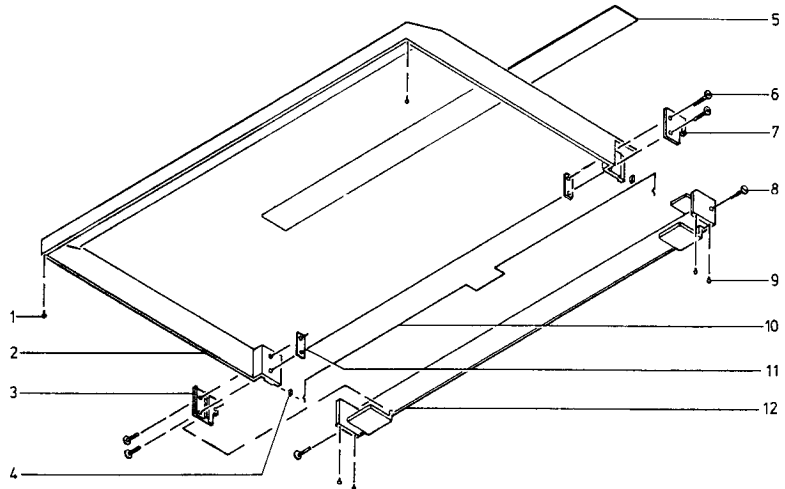
B&O 2013017 x4

SURVEYS OF SCREWS



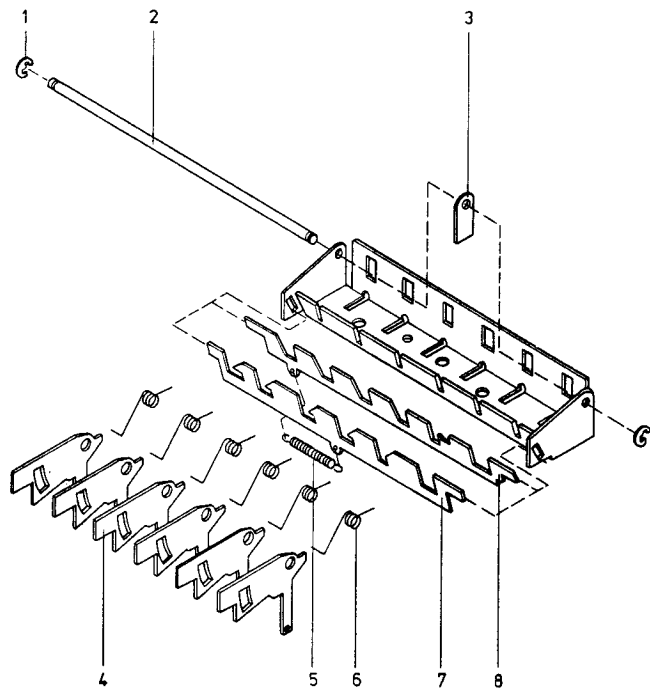
2011201	2	2.2 X 6.5 DIN 7981 BZ, black
2013000	4	2.9 X 6.5 DIN 7982 BZ
2013024	3	2.9 X 6.5 DIN 7982 B, black
2013062	11	2.9 X 6.6
2013200	1	2.9 X 6.5 DIN 7981 B
2013201	2	2.9 X 6.5 DIN 7981 BZ
2013213	1	2.9 X 9.5 DIN 7981, black
2013906	1	2.9 X 6.5 DIN 7981 B, black
2015201	4	3.5 X 9.5 DIN 7981 BZ
2033007	8	AM 1.6 X 6 DIN 84, black
2034042	8	M 2 X 3, black *
2034913	8	AM 2 X 16 DIN 84
2036203	8	AM 2.6 X 4 DIN 84
2036213	8	AM 2.6 X 8 DIN 84
2038007	9	AM 3 X 6 DIN 963
2038201	8	AM 3 X 3 DIN 84
2038206	8	AM 3 X 4 DIN 84
2038208	8	AM 3 X 5 DIN 84

2038214	8	AM 3 X 8 DIN 84
2038216	8	AM 3 X 10 DIN 84
2038235	8	AM 3 X 25 DIN 84
2038247	8	AM 3 X 6 DIN 84
2039010	7	AM 3 X 6 DIN 7985, black
2039903	7	AM 3 X 5 DIN 7985
2039905	7	AM 3 X 12 DIN 7985
2042026	8	AM 4 X 75 DIN 84, black
2042205	8	AM 4 X 6 DIN 84
2042207	8	AM 4 X 8 DIN 84
2042209	8	AM 4 X 10 DIN 84
2042240	8	AM 4 X 10 DIN 84, black
2042244	8	AM 4 X 8 DIN 84, black
2070034	15	M 3 X 5 DIN 914
2070400	14	M 2 X 3 DIN 553
2070701	14	M 3 X 4 DIN 553
2072706	13	M 3 X 10 DIN 438
2072919	13	M 3 X 6 DIN 438



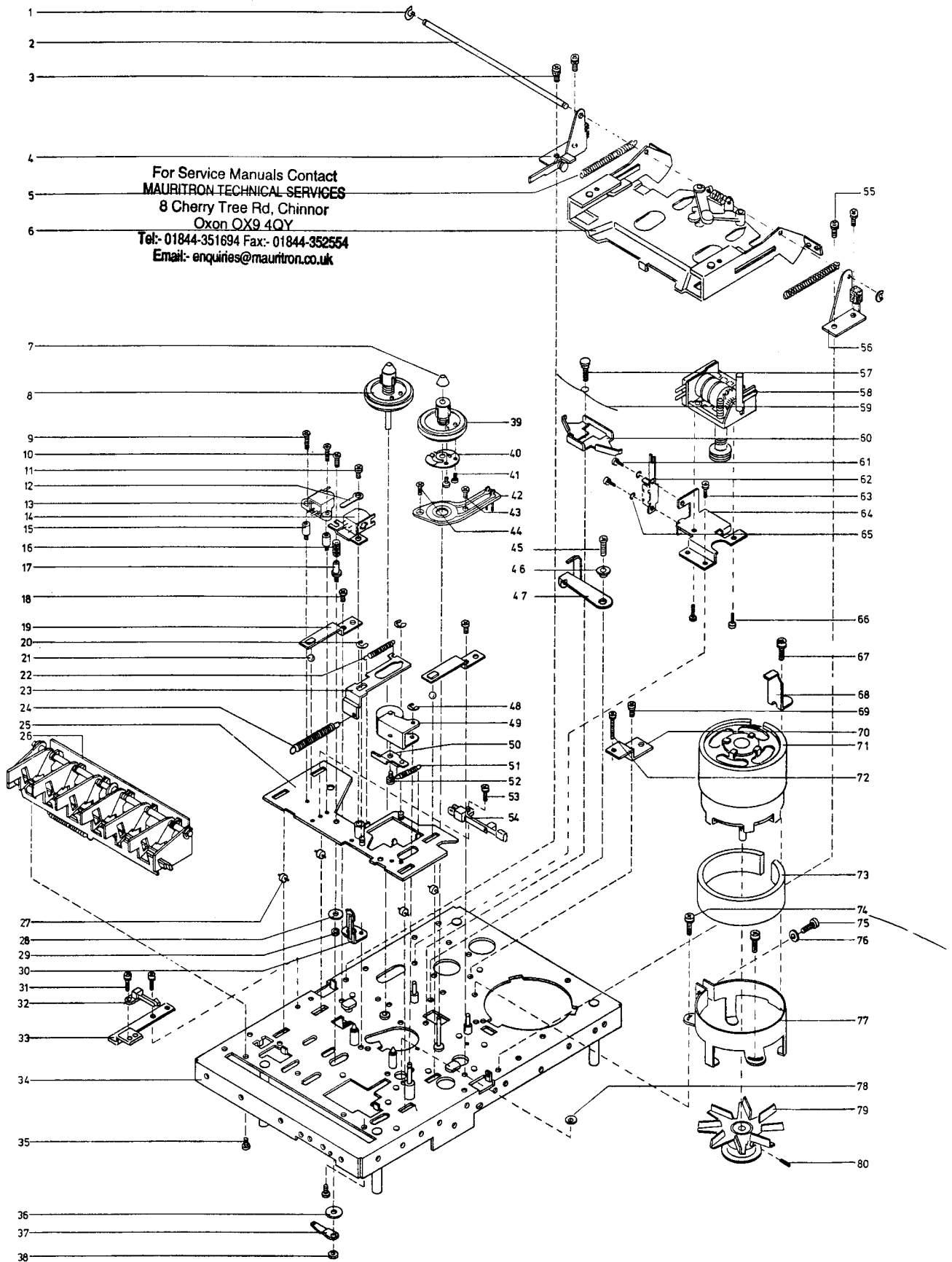
- | | | | |
|---|--|----|--------------------|
| 1 | 3010007 Stop | 7 | 3030035 Hinge |
| 2 | 3164271 Dust cover | 8 | 2038959 Screw |
| 3 | 3030034 Hinge | 9 | 3341010 Stop |
| 4 | 3035027 Spacer | 10 | 2819136 Spring |
| 5 | 2560047 Decorative list, Beocenter
4600 | 11 | 2643001 Clamp |
| | 2560058 Decorative list, Beocenter
2800 | 12 | 3152218 Back plate |
| 6 | 2039017 Screw | | |

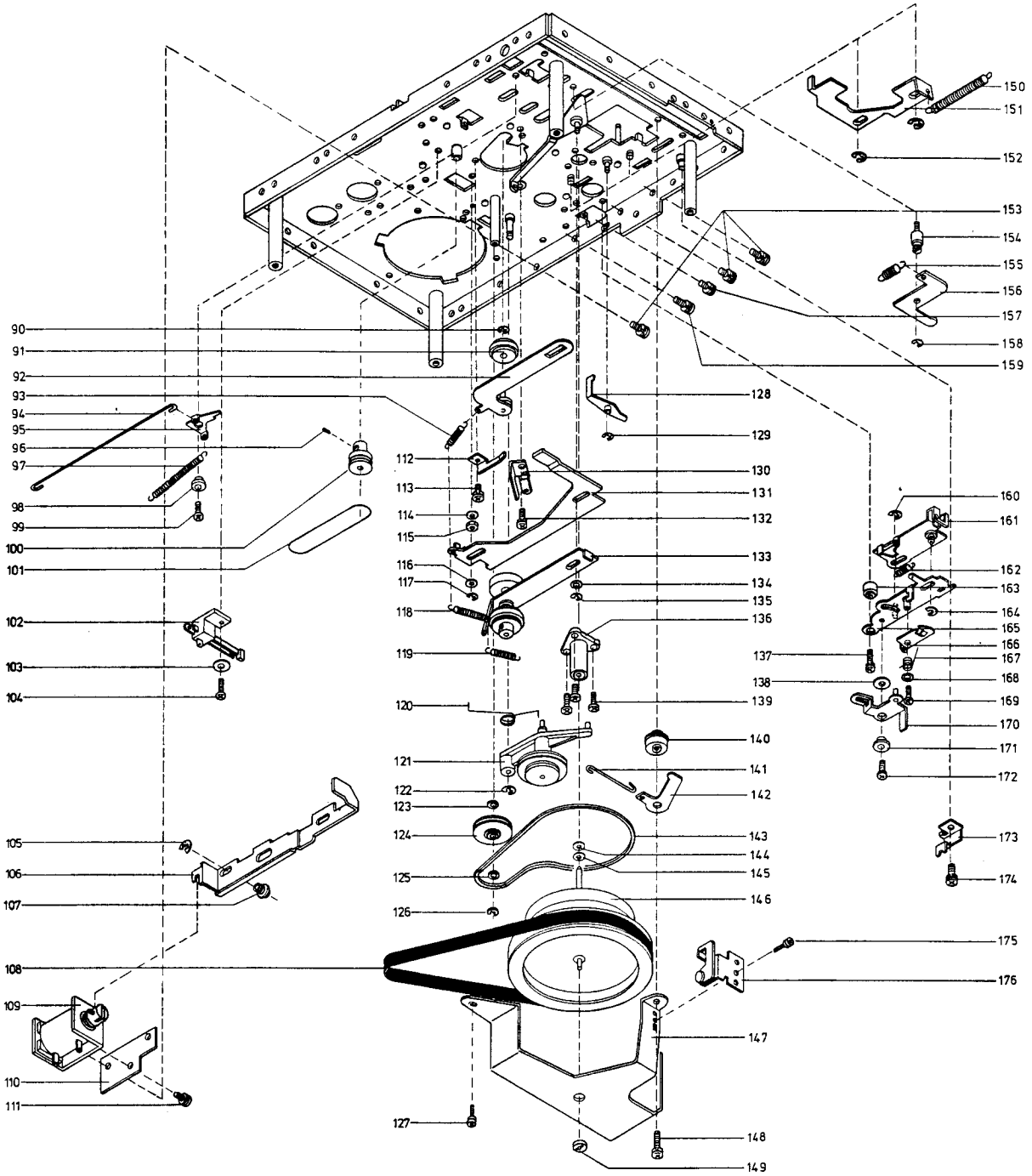
For Service Manuals Contact
MAURITRON TECHNICAL SERVICES
 8 Cherry Tree Rd, Chinnor
 Oxon OX9 4QY
 Tel:- 01844-351694 Fax:- 01844-352554
 Email:- enquiries@mauritron.co.uk



- | | | | |
|---|----------------------|---|-------------------|
| 1 | 2390002 E-ring 3.2 ø | 5 | 2819129 Spring |
| 2 | 2831030 Shaft | 6 | 2819130 Spring |
| 3 | 3151150 Holder | 7 | 2853052 Slide arm |
| 4 | 2853054 Arm | 8 | 2853053 Slide arm |

1	2390073	E-ring 2.5 ø	36	2622256	Washer
2	2831018	Shaft	37	2854029	Arm
3	2036008	Screw AM 2.6 x 5 with washer	38	2380113	Nut
4	2542482	Bracket	39	2726060	Turntable
	3010009	Stop (rubber)	40	2819127	Contact spring
5	2818025	Spring	41	2033008	Screw AM 1.7 x 3
6	3151159	Cassette holder complete	42	6140533	PC contact
	3010013	Stop (rubber)	43	2034033	Screw AM 2 x 3
	2818053	Spring for eject	44	2034033	Screw AM 2 x 3
	2854063	Arm right (eject)	45	2036203	Screw AM 2.6 x 4
	2854064	Arm left (eject)	46	2932055	Bushing
	2390073	E-ring 2.5 ø	47	2548130	Bracket
	2992075	Brass tap	48	2390073	E-ring 2.5 ø
7	3164143	Cover	49	2804036	Pressure wheel
8	2726116	Turntable	50	2530332	Bracket
9	2034239	Screw AM 2 x 12	51	2818043	Spring
10	2034206	Screw AM 2 x 5	52	2034236	Screw AM 2 x 3
11	2034036	Screw AM 2 x 4 with washer	53	2036009	Screw AM 2.6 x 6 with washer
12	7530076	Solder tag	54	7510027	Pause contact
13	8600039	Erase head	55	2036008	Screw AM 2.5 x 5 with screw
14	8600038	Tape head 8600053	56	2542483	Bracket
15	2576052	Spacer		3010009	Stop (rubber)
16	2818024	Spring	57	2831029	Shaft
17	2576053	Spacer	58	2370121 Counter 3370126	
18	2036012	Screw AM 2.6 x 3	59	2819124	Spring
19	2542363	Bracket	60	2542432	Bracket, brake
20	2390073	E-ring 2.5 ø	61	2034236	Screw AM 2 x 3
21	2917012	Ball ø3	62	7510029	Switch
22	2818042	Spring	63	2036008	Screw AM 2.6 x 5 with washer
23	2542426	Bracket	64	2542481	Bracket
24	2818048	Spring	65	2624035	Spring washer M2
25	3112226	Tape head chassis	66	2038952	Screw AM 3 x 4
26	7410016	Pushbutton unit with buttons	67	2038063	Screw 3 x 5 with washer
	2775613	Pushbutton <<	68	2542486	Bracket
	2775614	Pushbutton >>	69	2036008	Screw AM 2.6 x 5 with washer
	2775615	Pushbutton >	70	2542484	Bracket
	2775616	Pushbutton EJECT/STOP	71	8400047	Motor
	2775617	Pushbutton RECORD	72	2036014	Screw AM 2.6 x 5
	2775618	Pushbutton PAUSE	73	3170117	Insulation for motor
	3980941	Glue for buttons	74	2038063	Screw AM 3 x 5 with washer
27	2794037	Roller	75	2039908	Screw AM 3 x 10
28	2622196	Washer	76	2622013	Washer Ø3
29	2389034	Special nut	77	3151160	Holder for motor
30	2850086	Arm	78	2624040	Washer
31	2036008	Screw AM 2.6 x 5 with washer	79	8410007	Fan blade
32	7400138	Switch	80	2070702	Threaded pin
33	2542485	Bracket			
34	3112225	Chassis			
35	2036008	Screw AM 2.6 x 5 with washer			



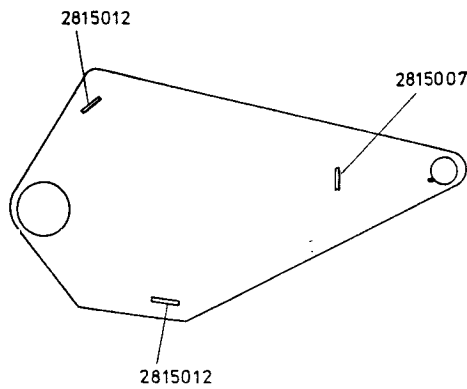


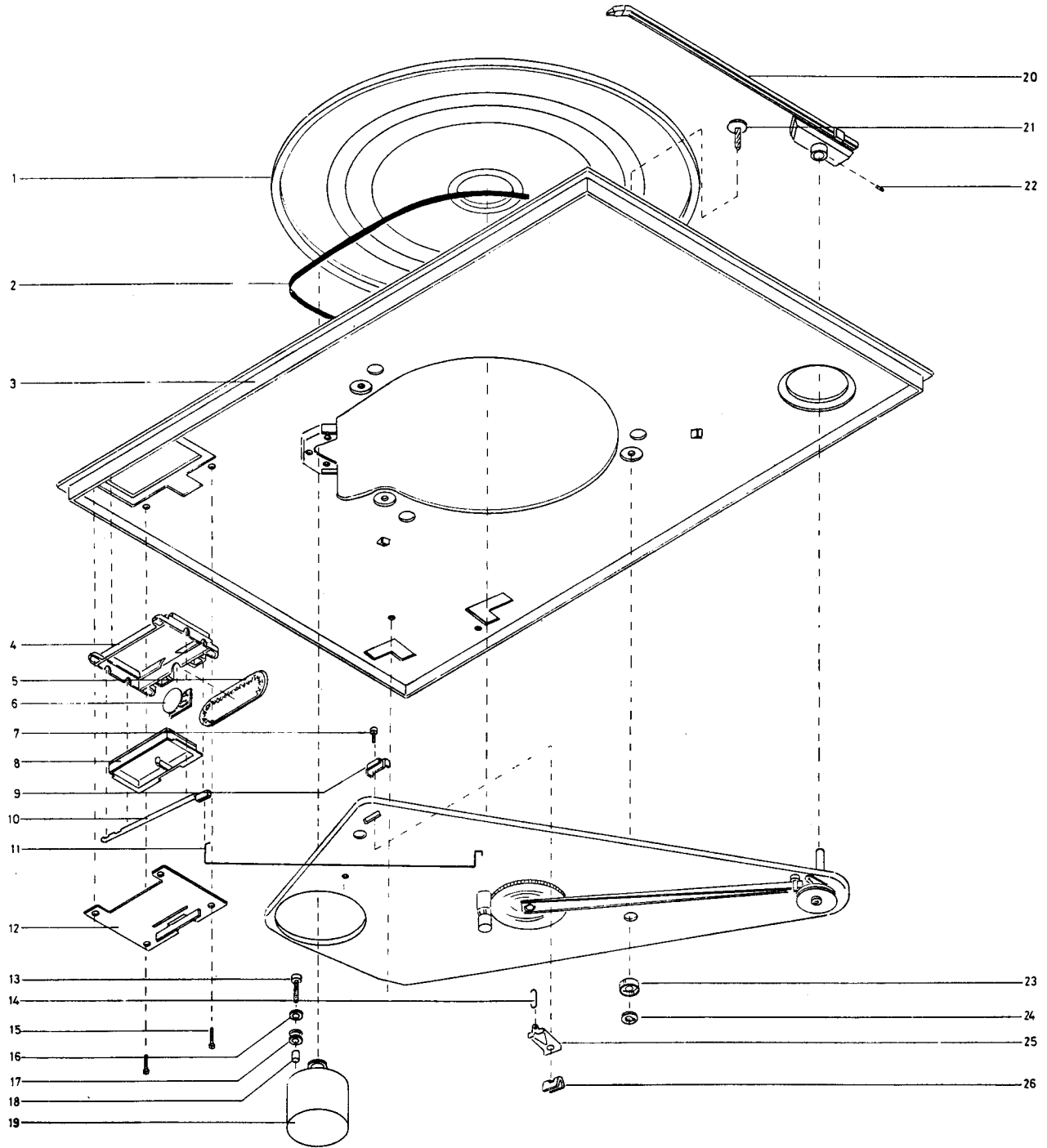
90	2390056	E-ring 1.5 ø	134	2641041	Washer, plastic
91	2804029	Idler wheel	135	2390056	E-ring
92	2853049	Arm for idler wheel	136	2905069	Capstan bearing
93	2818045	Spring	137	2036010	Screw AM 2.6 x 8 with bearing
94	2850056	Arm	138	2622257	Washer ø4
95	2542356	Bracket	139	2036903	Screw AM 2.6 x 5
96	2072005	Threaded pin M 2 x 3	140	2932078	Bushing
97	2818052	Spring	141	2850085	Arm
98	2932055	Bushing	142	2530333	Bracket
99	2036008	Screw AM 2.6 x 5 with washer	143	2732044	Belt
100	2724055	Pulley	144	2622253	Washer
101	2732043	Belt <i>see tape 4600</i>	145	2622253	Washer
102	7510026	Switch	146	2794073	Flywheel
103	2622255	Washer	147	2518149	Bracket for flywheel
104	2036009	Screw AM 2.6 x 6 with washer	148	2036007	Screw AM 2.6 x 4 with washer
105	2390072	E-ring 3ø	149	2905072	Bottom bearing
106	2542431	Bracket	150	2818047	Spring
107	2932077	Bushing	151	2854028	Arm
108	2732042	Drive belt <i>Tape main</i>	152	2390072	E-ring
109	6840217	Magnet coil	153	2038063	Screw AM 3 x 5 with washer
	2818050	Spring	154	2834058	Shaft for arm
110	3151148	Holder for magnet coil	155	2818046	Spring
111	2038069	Screw AM 3 x 4 with washer	156	2851066	Arm
112	2816097	Guide plate spring	157	2036009	Screw AM 2.6 x 6 with washer
113	2036012	Screw AM 2.6 x 3	158	2390073	E-ring 2.5 ø
114	2624036	Spring washer M 2.6	159	2038063	Screw AM 3 x 5 with washer
115	2380113	Nut M 2.6	160	2390073	E-ring 2.5 ø
116	2624041	Washer, plastic	161	2853051	Arm
117	2390056	E-ring 1.5 ø	162	2818049	Spring
118	2818028	Spring	163	2932079	Bushing
119	2818044	Spring	164	2390073	E-ring 2.5 ø
120	2819142	Spring	165	2542428	Bracket
121	2854050	Clutch complete <i>(Take up)</i>	166	2854051	Pause arm
122	2390073	E-ring 2.5 ø	167	2819126	Spring
123	2624039	Washer	168	2622254	Washer M2
124	2724054	Pulley	169	2034036	Screw AM 2 x 6 with washer
125	2624039	Washer	170	2854049	Arm
126	2390056	E-ring 1.5 ø	171	2932080	Bushing
127	2038063	Screw AM 3 x 5 with washer	172	2034037	Screw AM 2 x 6 with washer
128	2854048	Pause arm	173	2542480	Bracket
129	2390056	E-RING 1.5 Ø	174	2036007	Screw AM 2.6 x 4 with washer
130	3015038	Guide plate	175	2038063	Screw AM 3 x 5 with washer
131	2854026	Arm	176	2542479	Bracket
132	2036008	Screw AM 2.6 x 5 with washer			
133	2853048	Arm complete			

For Service Manuals Contact
MAURITRON TECHNICAL SERVICES
 8 Cherry Tree Rd, Chinnor
 Oxon OX9 4QY
Tel:- 01844-351694 Fax:- 01844-352554
Email:- enquiries@mauritron.co.uk

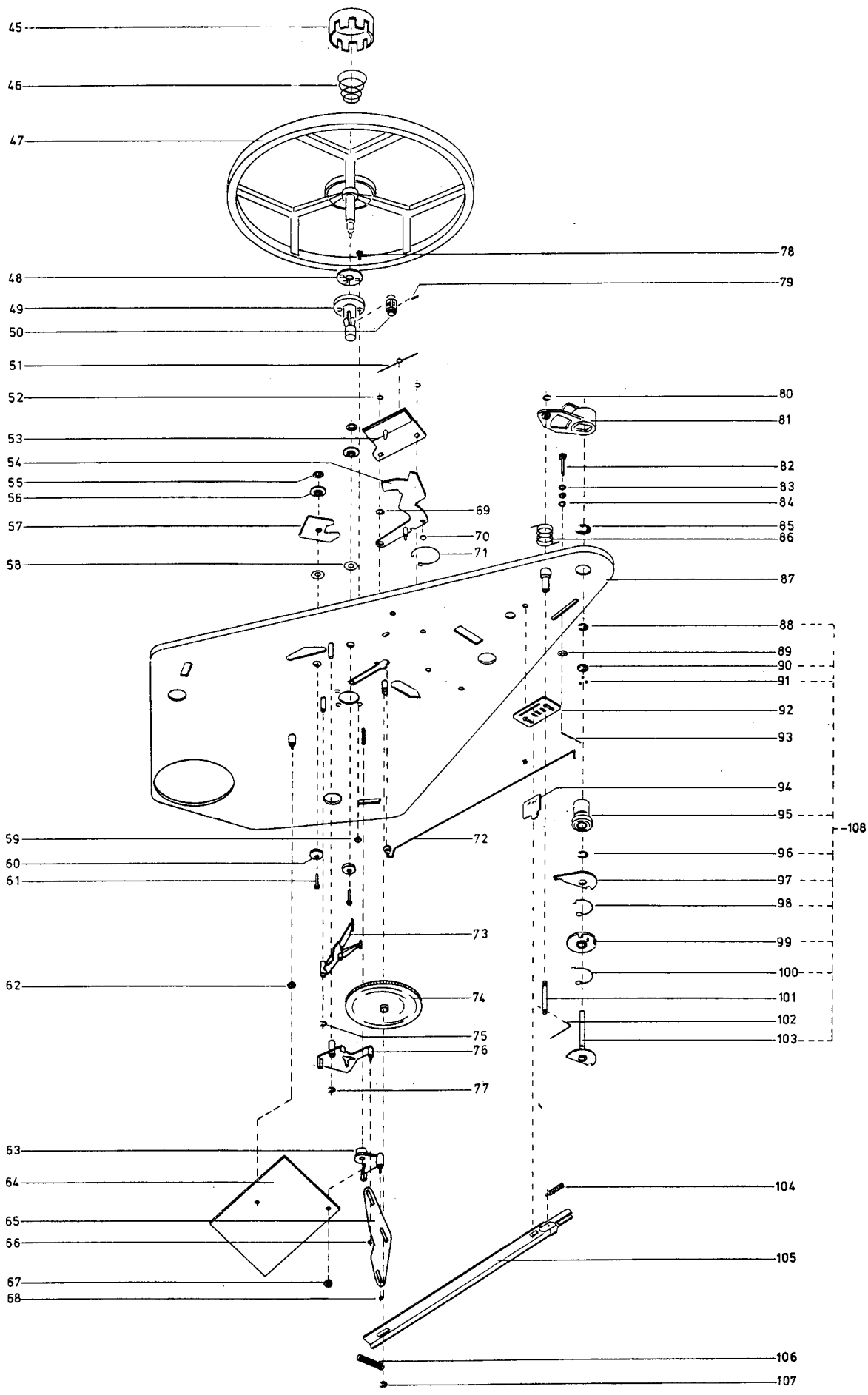
- | | | | | | |
|----|---------|--------------------------|----|---------|--------------------------|
| 1 | 2726113 | Turntable | 15 | 2039905 | Screw AM 3 x 12 DIN 7985 |
| 2 | 2732037 | Drive belt | 16 | 2622272 | Washer |
| 3 | 3458172 | Top plate | 17 | 2938137 | Rubber bushing |
| 4 | 3320048 | Holder | 18 | 2930074 | Bushing |
| 5 | 2700020 | Belt for adjustment | 19 | 8400093 | Motor |
| 6 | 5390014 | Potentiometer | | 2722022 | Pulley |
| | 6273763 | Wires with socket | 20 | 2850084 | Pickup arm complete |
| 7 | 2042209 | Screw AM 4 x 10 DIN 84 | | 8954390 | Pickup MMC 3000 |
| 8 | 2775575 | Square button | | 3302230 | Cap for pickup |
| 9 | 2640031 | Clamp | 21 | 2046910 | Transport screw |
| 10 | 2854042 | Gear level | 22 | 2072707 | Threaded pin AM 3 x 6 |
| 11 | 2570051 | Switch arm | 23 | 2938100 | Bushing |
| 12 | 3152236 | Holder | 24 | 2622228 | Washer |
| 13 | 2039905 | Screw AM 3 x 12 DIN 7985 | 25 | 2815007 | Leaf spring |
| 14 | 2514028 | Hook | 26 | 2640032 | Clamp |

Page 8-9, correction to pos. 25



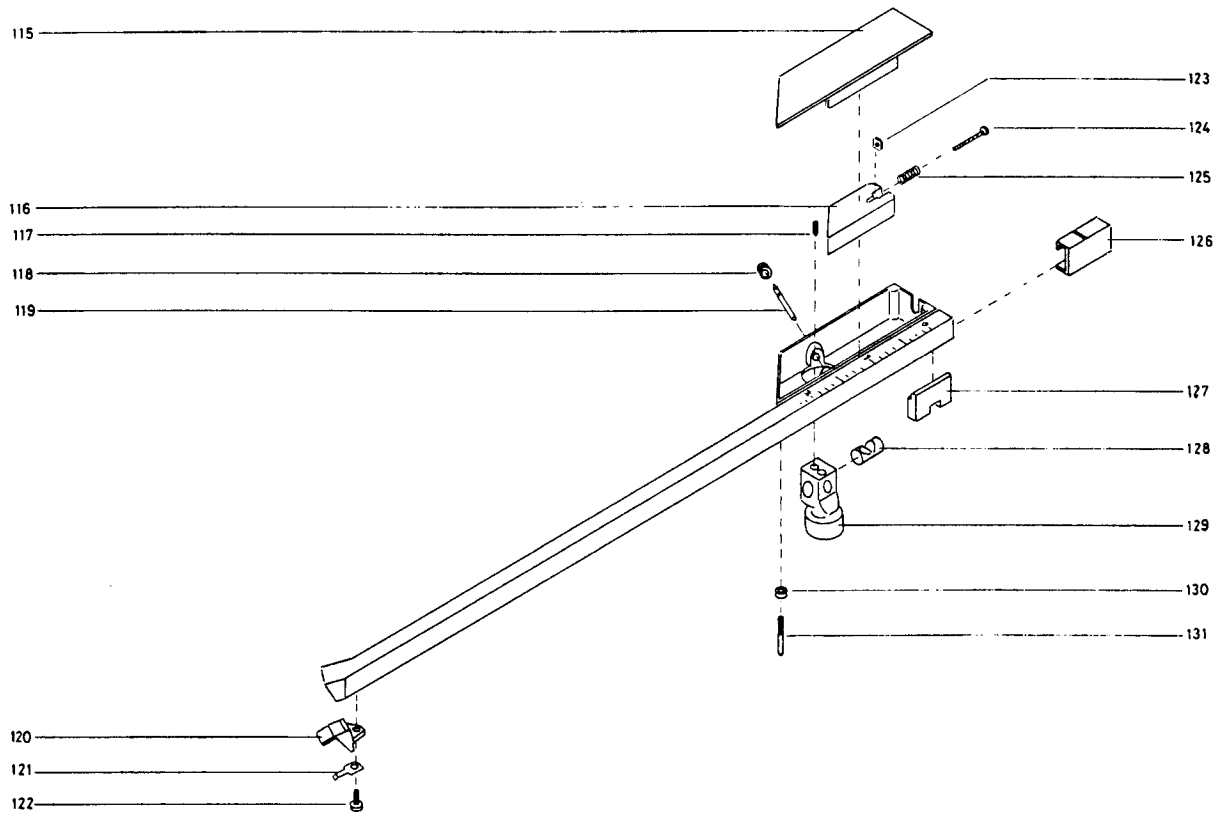


For Service Manuals Contact
MAURITRON TECHNICAL SERVICES
8 Cherry Tree Rd, Chinnor
Oxon OX9 4QY
Tel: 01844-351694 Fax: 01844-352554
Email: enquiries@mauritron.co.uk



45	3014036	Adaptor	75	2390002	Locking ring
46	2818051	Spring	76	2853056	Release
	2794072	Flywheel	77	2390002	Locking ring
	2622264	Cover washer (black)	78	2038220	Screw AM 3 x 12 DIN 84
	2620071	Felt washer	79	2361048	Locking pin
48	2905075	Bearing ring	80	2390002	Locking ring
49	3150037	Bearing bushing	81	2623033	Lifting clamp
50	2700023	Gear-wheel	82	2992073	Tap
51	2819141	Friction spring	83	2622013	Washer
52	2390002	Locking ring	84	2620067	Washer (felt)
53	3014037	Friction plate	85	2938141	Locking ring
54	3014031	Arm positioning guide	86	2812082	Spring
55	2395030	Locking ring	87	3110017	Chassis
56	2938088	Washer		2938129	Transport bushing
57	3014033	Arm positioning guide	88	2390033	Locking ring
58	2622198	Washer	89	2395030	Locking washer
59	2380013	Nut M3	90	2938114	Bushing
60	2803005	Eccentric	91	2917017	Ball
61	2992048	Tap	92	7459014	Contact (silent)
62	2622263	Mica sheet		7530072	Solder tag
63	2853047	Release		6270190	Signal wire
64	8005023	PC unit	93	2810089	Spring
	7220132	Plug 5/4-contact	94	7459015	Contact (slide valve)
	7220133	Plug 4-contact	95	2938142	Pile bearing <i>94A 28191</i>
	7220134	Plug 2-contact	96	2390033	Locking ring
	7400115	Microswitch	97	2851095	Arm <i>2851100</i>
	7459016	Switch	98	2819106	Spring
65	2851097	Switch arm	99	2750018	Clutch disc
66	2390066	Locking ring	100	2819107	Spring
67	2380016	Nut M4	101	2850093	Lifting bar
68	2390066	Locking ring	102	2530326	Bracket
69	2622136	Washer	103	2938142	Pile <i>2938148</i>
70	3035020	Plastic foot	104	2810090	Spring <i>2810093</i>
71	2819075	Spring	105	2852032	Lifting arm
72	2850092	Arm	106	2810082	Spring
73	2853055	Hammer complete	107	2390002	Locking ring
74	3017013	Cam-lifting wheel	108	2938136	Pickup bearing complete <i>2938144</i>

For Service Manuals Contact
MAURITRON TECHNICAL SERVICES
 8 Cherry Tree Rd, Chinnor
 Oxon OX9 4QY
 Tel: 01844-351694 Fax: 01844-352554
 Email: enquiries@mauritron.co.uk



115	3162093	Cover	124	2034913	Screw
116	3342034	Counterweight	125	2812072	Spring
117	2070400	Threaded pin M 2 x 3	126	3190064	Pointer
118	2905071	Pivot bearing	127	3342033	Counterweight
119	2834056	Shaft	128	3151137	Holder for shaft
120	7200037	Socket with wires	129	3152207	Holder for arm
121	2816143	Chassis spring	130	2938096	Bushing
122	2033007	Screw	131	2072097	Lifting screw
	123	2380068			Nut

PARTS NOT SHOWN

6270190	Wire with plug, PHONO signal	3397287	Foam packing, left, Beocenter 2800
7210149	Socket/housing 2-contact (motor voltage)	3397288	Foam packing, cover, Beocenter 2800
7500114	Contact pin		
6271101	Mains lead with euro-plug		
7220148	Phono-plug (Aerial/Front end)		
3532124	Diagramme, Beocenter 4600		
3532123	Diagramme, Beocenter 2800		
0585027	Rubber foot		
3454134	Bottom plate, Beocenter 2800		
3391480	Outer carton, Beocenter 4600		
3391481	Insert, Beocenter 4600		
3391482	Insert, turntable, Beocenter 4600		
3397274	Foam packing, bottom, Beocenter 4600		
3397275	Foam packing, cover, Beocenter 4600		
3391493	Outer carton, Beocenter 2800		
3397286	Foam packing, right, Beocenter 2800		

ELECTRICAL PARTS LIST

OR1 5300100 100 kohms TUNING FM
 OR5 5370006 2 kohms $\pm 20\%$ 0.1 W lin.

OC1 4010018 1 nF 250 V	OT1 8010020 Aerial transformer
OC2 4010018 1 nF 250 V	
OC3 4010018 1 nF 250 V	OF1 6600010 4 A-T/250 V IEC 127 SLOW ANTI-SURGE Fus.
OC6 4310011 Var. capacitor	OF2 6600010 4 A-T/250 V IEC 127 SLOW
OC7 4200361 5000 μ F 35 V	
OC8 4200361 5000 μ F 35 V	

FRONT END, TUNER, 8050071, PC 1

R1 5001050 47 kohms $\pm 10\%$ 1/2 W	R8 5010067 560 ohms $\pm 5\%$ 1/8 W
R2 5001062 330 kohms $\pm 10\%$ 1/2 W	R9 5001013 100 ohms $\pm 10\%$ 1/2 W
R3 5001062 330 kohms $\pm 10\%$ 1/2 W	R10 5010076 3.3 kohms $\pm 5\%$ 1/8 W
R4 5001013 100 ohms $\pm 10\%$ 1/2 W	R11 5010411 47 ohms $\pm 5\%$ 1/8 W
R5 5001050 47 kohms $\pm 10\%$ 1/2 W	R12 5001038 4.7 kohms $\pm 10\%$ 1/2 W
R6 5010141 27 kohms $\pm 5\%$ 1/8 W	R13 5001013 100 ohms $\pm 10\%$ 1/2 W
R7 5010041 5.6 kohms $\pm 5\%$ 1/8 W	R14 5001040 6.8 kohms $\pm 10\%$ 1/2 W

C1 4010008 1 nF -20 +50 % 400 V	C13 4003130 47 nF $\pm 2\%$ 63 V
C2 4330001 9 pF Cer.	C14 4010015 8.2 pF ± 0.25 pF 63 V
C3 4010008 1 nF -20 +50 % 400 V	C15 4010008 1 nF -20 +50 % 400 V
C4 4330001 9 pF Cer.	C16 4010008 1 nF -20 +50 % 400 V
C5 4010008 1 nF -20 +50 % 400 V	C17 4003059 22 pF $\pm 5\%$ 250 V
C6 4010008 1 nF -20 +50 % 400 V	C18 4130081 10 nF $\pm 20\%$ 250 V
C7 4010008 1 nF -20 +50 % 400 V	C19 4000089 8.2 pF ± 0.5 pF 250 V
C8 4010008 1 nF -20 +50 % 400 V	C20 4330001 9 pF Cer.
C9 4003012 3.3 pF ± 0.25 pF 400 V	C21 4010011 8.2 pF ± 0.5 pF 400 V
C10 4330001 9 pF Cer.	C22 4101031 270 pF $\pm 5\%$ 63 V
C11 4010008 1 nF -20 +50 % 400 V	C23 4101007 220 pF $\pm 5\%$ 63 V
C12 4200107 10 μ F 10 V	

For Service Manuals Contact
MAURITRON TECHNICAL SERVICES
 8 Cherry Tree Rd, Chinnor
 Oxon OX9 4QY
 Tel:- 01844-351694 Fax:- 01844-352554
 Email:- enquiries@mauritron.co.uk

L1 8020120 Aerial coil	L8 8020137 10.7 MHz
L2 8020121 RF (prim.)	L9 8020183 OSC.
L3 8020122 RF (sec.)	L10 6830052 3.8 μ H $\pm 5\%$
L4 6830052 3.8 μ H $\pm 5\%$	6702001 Ferrit-core F100 (white)
L5 6830052 3.8 μ H $\pm 5\%$	6702008 Ferrit-core F10 (red)
L6 6710001 Ferrit tube 3X1.2X3.5 mm	6479001 Glassbushing
L7 8020124 10.7 MHz	

FM, AM AND STEREO DECODER, 8002336, PC 2

R1 5010040 1 kohms $\pm 5\%$ 1/8 W	R35 5010069 3.9 kohms $\pm 5\%$ 1/8 W
R2 5010079 22 kohms $\pm 5\%$ 1/8 W	R36 5370074 10 kohms $\pm 20\%$ 0.1 W
R3 5001041 8.2 kohms $\pm 10\%$ 1/2 W	R37 5010069 3.9 kohms $\pm 5\%$ 1/8 W
R4 5001013 100 ohms $\pm 10\%$ 1/2 W	R38 5010059 10 kohms $\pm 5\%$ 1/8 W
R5 5001049 39 kohms $\pm 10\%$ 1/2 W	R39 5010046 12 kohms $\pm 5\%$ 1/8 W
R6 5001019 220 ohms $\pm 10\%$ 1/2 W	R40 5010046 12 kohms $\pm 5\%$ 1/8 W
R7 5001043 12 kohms $\pm 10\%$ 1/2 W	R41 5010065 100 ohms $\pm 5\%$ 1/8 W
R8 5001059 100 kohms $\pm 10\%$ 1/2 W	R42 5010049 100 kohms $\pm 5\%$ 1/8 W
R9 5001058 180 kohms $\pm 10\%$ 1/2 W	R43 5010049 100 kohms $\pm 5\%$ 1/8 W
R10 5010075 33 kohms $\pm 5\%$ 1/8 W	R45 5010040 1 kohms $\pm 5\%$ 1/8 W
R11 5010075 33 kohms $\pm 5\%$ 1/8 W	R46 5010040 1 kohms $\pm 5\%$ 1/8 W
R12 5001038 4.7 kohms $\pm 10\%$ 1/2 W	R48 5010054 1 Mohms $\pm 5\%$ 1/8 W
R13 5010040 1 kohms $\pm 5\%$ 1/8 W	R49 5010077 470 kohms $\pm 5\%$ 1/8 W
R15 5010072 180 kohms $\pm 5\%$ 1/8 W	R50 5001043 12 kohms $\pm 10\%$ 1/2 W
R16 5010468 15 ohms $\pm 5\%$ 1/8 W	R51 5010058 470 ohms $\pm 5\%$ 1/8 W
R17 5010064 2.2 kohms $\pm 5\%$ 1/8 W	R52 5010046 12 kohms $\pm 5\%$ 1/8 W
R20 5010048 4.7 kohms $\pm 5\%$ 1/8 W	R53 5010053 15 kohms $\pm 5\%$ 1/8 W
R21 5010046 12 kohms $\pm 5\%$ 1/8 W	R54 5010048 4.7 kohms $\pm 5\%$ 1/8 W
R22 5010079 22 kohms $\pm 5\%$ 1/8 W	R56 5010298 2.7 kohms $\pm 5\%$ 1/8 W
R23 5010044 330 ohms $\pm 5\%$ 1/8 W	R58 5010045 47 kohms $\pm 5\%$ 1/8 W
R24 5010044 330 ohms $\pm 5\%$ 1/8 W	R59 5010362 180 ohms $\pm 5\%$ 1/8 W
R25 5010044 330 ohms $\pm 5\%$ 1/8 W	R60 5010048 4.7 kohms $\pm 5\%$ 1/8 W
R26 5010077 470 kohms $\pm 5\%$ 1/8 W	R61 5010048 4.7 kohms $\pm 5\%$ 1/8 W
R27 5010066 1.8 kohms $\pm 5\%$ 1/8 W	R62 5020034 18.7 kohms $\pm 1\%$ 1/8 W
R28 5370002 500 ohms $\pm 20\%$ 0.1 W	R63 5010040 1 kohms $\pm 5\%$ 1/8 W
R29 5010041 5.6 kohms $\pm 5\%$ 1/8 W	R64 5010040 1 kohms $\pm 5\%$ 1/8 W
R30 5010059 10 kohms $\pm 5\%$ 1/8 W	R65 5010092 220 ohms $\pm 5\%$ 1/8 W
R31 5010153 1.2 kohms $\pm 5\%$ 1/8 W	R66 5010053 15 kohms $\pm 5\%$ 1/8 W
R32 5010343 1.5 Mohms $\pm 5\%$ 1/8 W	R67 5010141 27 kohms $\pm 5\%$ 1/8 W
R33 5010048 4.7 kohms $\pm 5\%$ 1/8 W	R68 5010059 10 kohms $\pm 5\%$ 1/8 W
R34 5010070 390 ohms $\pm 5\%$ 1/8 W	R69 5010053 15 kohms $\pm 5\%$ 1/8 W

PC 2 CONTD.

R70	5010045	47 kohms $\pm 5\%$ 1/8 W	R85	5010077	470 kohms $\pm 5\%$ 1/8 W
R71	5010091	82 kohms $\pm 5\%$ 1/8 W	R86	5010065	100 ohms $\pm 5\%$ 1/8 W
R72	5010077	470 kohms $\pm 5\%$ 1/8 W	R87	5370049	1 Mohms $\pm 20\%$ 0,1 W
R73	5010144	680 kohms $\pm 5\%$ 1/8 W	R88	5010065	100 ohms $\pm 5\%$ 1/8 W
R74	5010076	3.3 kohms $\pm 5\%$ 1/8 W	R89	5010077	470 kohms $\pm 5\%$ 1/8 W
R75	5010154	8.2 kohms $\pm 5\%$ 1/8 W	R90	5001022	390 ohms $\pm 10\%$ 1/2 W
R76	5370074	10 kohms $\pm 20\%$ 0.1 W	R91	5010120	220 kohms $\pm 5\%$ 1/8 W
R77	5010092	220 ohms $\pm 5\%$ 1/8 W	R92	5001025	560 ohms $\pm 10\%$ 1/2 W
R78	5010091	82 kohms $\pm 5\%$ 1/8 W	R95	5370074	10 kohms $\pm 20\%$ 0,1 W
R79	5010077	470 kohms $\pm 5\%$ 1/8 W	R100	5010075	33 kohms $\pm 5\%$ 1/8 W
R80	5010144	680 kohms $\pm 5\%$ 1/8 W	R101	5010045	47 kohms $\pm 5\%$ 1/8 W
R81	5010076	3.3 kohms $\pm 5\%$ 1/8 W	R102	5010077	470 kohms $\pm 5\%$ 1/8 W
R82	5010154	8.2 kohms $\pm 5\%$ 1/8 W	R103	5010047	120 kohms $\pm 5\%$ 1/8 W
R83	5010069	3.9 kohms $\pm 5\%$ 1/8 W	R105	5001019	220 ohms $\pm 10\%$ 1/2 W
R84	5010120	220 kohms $\pm 5\%$ 1/8 W			

C1	4101018	470 pF $\pm 5\%$ 63 V	C43	4000094	150 pF $\pm 5\%$ 63 V
C2	4340002	2 - 22 pF	C44	4000094	150 pF $\pm 5\%$ 63 V
C4	4101034	150 pF $\pm 2.5\%$ 63 V	C45	4010060	22 nF -20 +100% 40 V
C5	4340003	5.5 - 65 pF	C46	4000029	220 pF $\pm 5\%$ 63 V
C6	4000016	10 pF $\pm 2\%$ 63 V	C47	4130136	1 μ F $\pm 20\%$ 100 V
C7	4130103	0.1 μ F $\pm 20\%$ 250 V	C49	4010041	10 nF -20 +100% 40 V
C8	4340003	5.5 - 65 pF	C50	4003130	47 nF $\pm 2\%$ 63 V
C9	4010063	4.7 nF $\pm 10\%$ 63 V	C51	4200099	100 μ F 16 V
C10	4340002	2 - 22 pF	C52	4200322	4.7 μ F 63 V
C11	4130103	0.1 μ F $\pm 20\%$ 250 V	C53	4130087	47 nF $\pm 10\%$ 250 V
C12	4011025	3.3 nF $\pm 10\%$ 100 V	C54	4101004	680 pF $\pm 5\%$ 63 V
C13	4102111	1.5 nF $\pm 5\%$ 160 V	C55	4201061	4.7 μ F 63 V
C14	4200171	100 μ F 3 V	C56	4201058	0.47 μ F 35 V
C15	4101026	4.7 nF $\pm 5\%$ 63 V	C57	4340003	5.5 - 65 pF
C16	4010060	22 nF -20 +100% 40 V	C58	4100044	440 pF $\pm 1\%$ 63 V
C17	4101008	180 pF $\pm 5\%$ 63 V	C59	4130104	0.22 μ F $\pm 20\%$ 100 V
C18	4130103	0.1 μ F $\pm 20\%$ 250 V	C60	4130114	0.47 μ F $\pm 10\%$ 100 V
C19	4130103	0.1 μ F $\pm 20\%$ 250 V	C61	4200333	1 μ F 63 V
C20	4130103	0.1 μ F $\pm 20\%$ 250 V	C62	4100081	2.15 nF $\pm 2.5\%$ 63 V
C21	4200108	4.7 μ F 25 V	C63	4100077	196 pF $\pm 2.5\%$ 63 V
C22	4101004	680 pF $\pm 1\%$ 63 V	C64	4100078	4.02 nF $\pm 2.5\%$ 63 V
C23	4101004	680 pF $\pm 1\%$ 63 V	C65	4100080	866 pF $\pm 2.5\%$ 63 V
C24	4000029	220 pF $\pm 5\%$ 63 V	C66	4100079	590 pF $\pm 2.5\%$ 63 V
C25	4010060	22 nF -20 +100% 40 V	C67	4130089	22 nF $\pm 10\%$ 250 V
C27	4011025	3.3 nF $\pm 10\%$ 100 V	C68	4201035	2.2 μ F 63 V
C28	4200169	0.1 μ F 35 V	C69	4200333	1 μ F 63 V
C29	4011025	3.3 nF $\pm 10\%$ 100 V	C70	4100081	2.15 nF $\pm 2.5\%$ 63 V
C30	4000071	270 pF $\pm 5\%$ 63 V	C71	4100077	196 pF $\pm 2.5\%$ 63 V
C33	4011025	3.3 nF $\pm 10\%$ 100 V	C72	4100078	4.02 nF $\pm 2.5\%$ 63 V
C34	4010041	10 nF -20 +100% 40 V	C73	4100080	866 pF $\pm 2.5\%$ 63 V
C35	4010027	1 nF $\pm 10\%$ 100 V	C74	4100079	590 pF $\pm 2.5\%$ 63 V
C36	4010027	1 nF $\pm 10\%$ 100 V	C75	4130089	22 nF $\pm 10\%$ 250 V
C37	4010060	22 nF -20 +100% 40 V	C76	4201035	2.2 μ F 63 V
C38	4200298	1 μ F 63 V	C77	4200304	470 μ F 40 V
C39	4010041	10 nF -20 +100% 40 V	C78	4201057	1 μ F 35 V
C40	4010041	10 nF -20 +100% 40 V	C79	4130103	0.1 μ F $\pm 20\%$ 250 V
C41	4010060	22 nF -20 +100% 40 V	C80	4130103	0.1 μ F $\pm 20\%$ 250 V
C42	4201061	4.7 μ F 63 V	C81	4200108	4.7 μ F 25 V

L1	8020262	MW OSC.	L9	8020264	AM IF
L2	8020261	LW OSC.	L10	8020265	AM DET.
L3	8020219	LW RF.	L11	8010141	FM DET.
L4	8020106	MW RF	L12	8022079	78 mH
L5	8020222	468 kHz filter	L13	8022079	78 mH
L6	8020114	468 kHz filter	L14	8022079	78 mH
L7	8020263	AM IF	L15	8022079	78 mH
L8	8020224	AM IF	L16	8022066	114 kHz

BP1	8030001	10.7 MHz filter
BP2	8030001	10.7 MHz filter
BP3	8030001	10.7 MHz filter
X1	8030006	468 kHz filter
X2	8030006	468 kHz filter

7400160	Pushbutton switch	SWITCH
7450043	Mains switch	ON/OFF X
3333012	Spacer for 2C77	

FM PRESET, 8002286, PC 3

R1	5320017	100 kohms	R3	5320017	100 kohms
R2	5320017	100 kohms	R4	5320017	100 kohms

TONE CONTROL AND PRE-AMPLIFIER, 8002318, PC 4

R1	5010611	150 ohms $\pm 5\%$ 1/8 W	R121	5010066	1.8 kohms $\pm 5\%$ 1/8 W
R100	5010092	220 ohms $\pm 5\%$ 1/8 W	R122	5010041	5.6 kohms $\pm 5\%$ 1/8 W
R101	5010045	47 kohms $\pm 5\%$ 1/8 W	R123	5310074	2X22 kohms TREBLE
R102	5010083	270 kohms $\pm 5\%$ 1/8 W	R124	5010063	150 kohms $\pm 5\%$ 1/8 W
R103	5010066	1.8 kohms $\pm 5\%$ 1/8 W	R125	5010076	3.3 kohms $\pm 5\%$ 1/8 W
R104	5010048	4.7 kohms $\pm 5\%$ 1/8 W	R126	5310074	2X22 kohms BASS
R105	5010047	120 kohms $\pm 5\%$ 1/8 W	R127	5010066	1.8 kohms $\pm 5\%$ 1/8 W
R106	5010058	470 ohms $\pm 5\%$ 1/8 W	R128	5010041	5.6 kohms $\pm 5\%$ 1/8 W
R107	5010044	330 ohms $\pm 5\%$ 1/8 W	R129	5010040	1 kohms $\pm 5\%$ 1/8 W
R108	5010362	180 ohms $\pm 5\%$ 1/8 W	R131	5010048	4.7 kohms $\pm 5\%$ 1/8 W
R109	5020019	36 kohms $\pm 2\%$ 1/8 W	R132	5010063	150 kohms $\pm 5\%$ 1/8 W
R110	5010120	220 kohms $\pm 5\%$ 1/8 W	R133	5010079	22 kohms $\pm 5\%$ 1/8 W
R112	5010049	100 kohms $\pm 5\%$ 1/8 W	R134	5010079	22 kohms $\pm 5\%$ 1/8 W
R117	5011078	4.7 Mohms $\pm 5\%$ 1/4 W	R135	5010611	150 ohms $\pm 5\%$ 1/8 W
R118	5010041	5.6 kohms $\pm 5\%$ 1/8 W	R136	5310040	2X22 kohms VOL.
R119	5010059	10 kohms $\pm 5\%$ 1/8 W	R137	5010065	100 ohms $\pm 5\%$ 1/8 W
R120	5011071	1.5 Mohms $\pm 5\%$ 1/4 W	R138	5310073	2X22 kohms BAL.

For Service Manuals Contact
MAURITRON TECHNICAL SERVICES
 8 Cherry Tree Rd, Chinnor
 Oxon OX9 4QY
 Tel: 01844-351694 Fax: 01844-352554
 Email: enquiries@mauritron.co.uk

C1	4200299	220 μ F 40 V	C112	4130109	10 nF $\pm 10\%$ 250 V
C100	4200296	2.2 μ F 63 V	C113	4010024	470 pF $\pm 10\%$ 100 V
C101	4010021	220 pF $\pm 10\%$ 100 V	C114	4130109	10 nF $\pm 10\%$ 250 V
C102	4130100	68 nF $\pm 10\%$ 250 V	C115	4130100	68 nF $\pm 10\%$ 250 V
C104	4000078	68 pF $\pm 2\%$ 63 V	C116	4130100	68 nF $\pm 10\%$ 250 V
C105	4200296	2.2 μ F 63 V	C117	4201065	10 μ F 63 V
C106	4010065	2.7 nF $\pm 10\%$ 63 V	C118	4010027	1 nF $\pm 10\%$ 100 V
C107	4130109	10 nF $\pm 10\%$ 250 V	C120	4201065	10 μ F 63 V
C110	4200296	2.2 μ F 63 V	C121	4200296	2.2 μ F 63 V
C111	4201035	2.2 μ F 63 V	C122	4200299	220 μ F 40 V

722 0131
~~722031~~ Socket 3 pol.

AUTO. STOP, 8004171, PC 5

R1	5001034	2.2 kohms $\pm 10\%$ 1/2 W	R8	5010053	15 kohms $\pm 5\%$ 1/8 W
R2	5001042	10 kohms $\pm 10\%$ 1/2 W	R9	5010052	6.8 kohms $\pm 5\%$ 1/8 W
R3	5010054	1 Mohms $\pm 5\%$ 1/8 W	R10	5010060	39 kohms $\pm 5\%$ 1/8 W
R4	5010045	47 kohms $\pm 5\%$ 1/8 W	R11	5001063	150 kohms $\pm 5\%$ 1/8 W
R5	5001029	1 kohms $\pm 10\%$ 1/2 W	R12	5010052	6.8 kohms $\pm 5\%$ 1/8 W
R6	5010066	1.8 kohms $\pm 5\%$ 1/8 W	R13	5001033	1.8 kohms $\pm 10\%$ 1/2 W
R7	5001044	15 kohms $\pm 10\%$ 1/2 W	R14	5001024	470 ohms $\pm 10\%$ 1/2 W

C1	4201069	2.2 μ F 35 V	F1	6604023	1 A-F IEC 127 QUICK
C2	4200100	22 μ F 40 V		7500002	Fuse holder
C3	4201065	10 μ F 63 V			

OUTPUT AMP. AND POWER SUPPLY, 8002301, PC 6

R3	5001019	220 ohms $\pm 10\%$ 1/2 W	R110	5010039	68 ohms $\pm 5\%$ 1/8 W
R4	5002024	1 kohms $\pm 10\%$ 1 W	R111	5010092	220 ohms $\pm 5\%$ 1/8 W
R6	5010611	150 ohms $\pm 5\%$ 1/8 W	R112	5010079	22 kohms $\pm 5\%$ 1/8 W
R10	5010059	10 kohms $\pm 5\%$ 1/8 W	R113	5010070	390 ohms $\pm 5\%$ 1/8 W
R11	5010076	3.3 kohms $\pm 5\%$ 1/8 W	R114	5010053	15 kohms $\pm 5\%$ 1/8 W
R12	5010064	2.2 kohms $\pm 5\%$ 1/8 W	R116	5010039	68 ohms $\pm 5\%$ 1/8 W
R14	5010074	680 kohms $\pm 5\%$ 1/8 W	R117	5001041	8.2 kohms $\pm 10\%$ 1/2 W
R15	5010074	680 kohms $\pm 5\%$ 1/8 W	R118	5001041	8.2 kohms $\pm 10\%$ 1/2 W
R16	5010058	470 ohms $\pm 5\%$ 1/8 W	R119	5010144	680 ohms $\pm 5\%$ 1/8 W
R17	5010117	330 kohms $\pm 5\%$ 1/8 W	R120	5010000	270 ohms $\pm 5\%$ 1/8 W
R18	5010058	470 ohms $\pm 5\%$ 1/8 W	R121	5010000	270 ohms $\pm 5\%$ 1/8 W
R19	5010077	470 kohms $\pm 5\%$ 1/8 W	R122	5010040	1 kohms $\pm 5\%$ 1/8 W
R100	5010045	47 kohms $\pm 5\%$ 1/8 W	R123	5010065	100 ohms $\pm 5\%$ 1/8 W
R101	5010045	47 kohms $\pm 5\%$ 1/8 W	R124	5370174	250 ohms $\pm 20\%$ 0.1 W
R102	5010076	3.3 kohms $\pm 5\%$ 1/8 W	R125	5102007	0.39 ohms $\pm 10\%$ 1 W
R103	5010040	1 kohms $\pm 5\%$ 1/8 W	R126	5010000	270 ohms $\pm 5\%$ 1/8 W
R104	5010079	22 kohms $\pm 5\%$ 1/8 W	R127	5102007	0.39 ohms $\pm 10\%$ 1 W
R105	5010053	15 kohms $\pm 5\%$ 1/8 W	R128	5000085	4.7 ohms $\pm 10\%$ 1/2 W
R106	5010044	330 ohms $\pm 5\%$ 1/8 W	R129	5011074	2.2 Mohms $\pm 10\%$ 1/4 W
R107	5010144	680 ohms $\pm 5\%$ 1/8 W	R130	5010065	100 ohms $\pm 5\%$ 1/8 W
R108	5010403	27 ohms $\pm 5\%$ 1/8 W			

PC 6 CONTD.

C3	4130114	0.47 μ F \pm 10 % 100 V	C100	4200298	1 μ F 63 V
C4	4200373	1000 μ F 63 V	C101	4130029	22 nF \pm 20 % 250 V
C5	4130029	0.47 μ F \pm 10 % 250 V	C102	4010027	1 nF \pm 10 % 100 V
C6	4130029	0.47 μ F \pm 10 % 250 V	C103	4011022	4.7 nF -20 +100 % 40 V
C8	4130029	0.47 μ F \pm 10 % 250 V	C105	4200092	47 μ F 16 V
C9	4130029	0.47 μ F \pm 10 % 250 V	C106	4000057	47 pF \pm 5 % 63 V
C10	4201060	100 μ F 40 V	C107	4011022	4.7 nF -20 +100 % 40 V
C11	4011022	4.7 nF -20 +100 % 40 V	C108	4130029	22 nF \pm 20 % 250 V
C12	4200092	47 μ F 16 V	C110	4130104	0.22 μ F \pm 20 % 100 V
C13	4130136	1 μ F \pm 20 % 100 V	C111	4130104	0.22 μ F \pm 20 % 100 V
C14	4130136	1 μ F \pm 20 % 100 V			
C15	4011022	4.7 nF -20 +100 % 40 V			

L1 8022080 2.5 mH
L100 6850114 0.5 μ H

MIC. PRE-AMP., 8004163, PC 7

R1	5010059	10 kohms \pm 5 % 1/8 W	R14	5370128	100 kohms \pm 20 % 0.1 W
R2	5010065	100 kohms \pm 5 % 1/8 W	R15	5011083	10 Mohms \pm 10 %
R3	5010120	220 kohms \pm 5 % 1/8 W	R16	5011068	820 kohms \pm 5 % 1/4 W
R4	5010092	220 ohms \pm 5 % 1/8 W	R17	5010128	120 ohms \pm 5 % 1/8 W
R5	5010040	1 kohms \pm 5 % 1/8 W	R18	5010049	100 kohms \pm 5 % 1/8 W
R6	5010075	33 kohms \pm 5 % 1/8 W	R19	5010153	1.2 kohms \pm 5 % 1/8 W
R7	5010046	12 kohms \pm 5 % 1/8 W	R20	5010054	1 Mohms \pm 5 % 1/8 W
R8	5010048	4.7 kohms \pm 5 % 1/8 W	R21	5100255	270 ohms \pm 10 % 5 W
R9	5010044	330 ohms \pm 5 % 1/8 W	R22	5010053	15 kohms
R10	5010049	100 kohms \pm 5 % 1/8 W	R23	5010079	22 kohms
R11/			R24	5010065	100 ohms \pm 5 % 1/8 W
R12	5310040	2X20 kohms	R25	5010065	100 ohms \pm 5 % 1/8 W
R13	5001038	4.7 kohms \pm 10 % 1/2 W			

C1	4200296	2.2 μ F 63 V	C6	4201035	2.2 μ F 63 V
C2	4010027	1 nF \pm 10 % 100 V	C7	4000057	47 pF
C3	4000069	100 pF \pm 5 % 63 V	C8	4130103	100 nF \pm 20 % 250 V
C4	4200380	1 μ F 63 V	C9	4201035	2.2 μ F 63 V
C5	4201074	47 μ F 40 V	C10	4201058	0.47 μ F 35 V

7210159 Mic. socket
7500113 Contact pin

INDICATOR, 8004164, PC 8

R1	5001026	680 ohms \pm 10 % 1/2 W	6275357	Wire bundle with socket
			7500114	Contact pin for socket

TAPE AMPLIFIER, 8004165, PC 9

R1	5010075	33 kohms \pm 5 % 1/8 W	R107	5010083	270 kohms \pm 5 % 1/8 W
R2	5010075	33 kohms \pm 5 % 1/8 W	R108	5010362	180 ohms \pm 5 % 1/8 W
R3	5010048	4.7 kohms \pm 5 % 1/8 W	R109	5010077	470 kohms \pm 5 % 1/8 W
R4	5001004	22 ohms \pm 10 % 1/2 W	R110	5010074	680 kohms \pm 5 % 1/8 W
R5	5001028	1 kohms \pm 5 % 1/2 W	R111	5010092	220 ohms \pm 5 % 1/8 W
R6	5001028	1 kohms \pm 5 % 1/2 W	R112	5010065	100 ohms \pm 5 % 1/8 W
R7	5001048	33 kohms \pm 10 % 1/2 W	R113	5010092	220 ohms \pm 5 % 1/8 W
R8	5001042	10 kohms \pm 10 % 1/2 W	R114	5370150	500 ohms \pm 20 % 0.1 W
R9	5001026	680 ohms \pm 10 % 1/2 W	R115	5010045	47 kohms \pm 5 % 1/8 W
R10	5001026	680 ohms \pm 10 % 1/2 W	R116	5010048	4.7 kohms \pm 5 % 1/8 W
R11	5001002	15 ohms \pm 10 % 1/2 W	R117	5010076	3.3 kohms \pm 5 % 1/8 W
R12	5001021	330 ohms \pm 10 % 1/2 W	R118	5010120	220 kohms \pm 5 % 1/8 W
R13	5010040	1 kohms \pm 5 % 1/8 W	R119	5010040	1 kohms \pm 5 % 1/8 W
R14	5010059	10 kohms \pm 5 % 1/8 W	R120	5010065	100 ohms \pm 5 % 1/8 W
R15	5010059	10 kohms \pm 5 % 1/8 W	R121	5010120	220 kohms \pm 5 % 1/8 W
R16	5010079	22 kohms \pm 5 % 1/8 W	R122	5010048	4.7 kohms \pm 5 % 1/8 W
R17	5010040	1 kohms \pm 5 % 1/8 W	R123	5010061	56 kohms \pm 5 % 1/8 W
R100	5010362	180 ohms \pm 5 % 1/8 W	R124	5010041	5.6 kohms \pm 5 % 1/8 W
R101	5370152	10 kohms \pm 20 % 0.1 W	R125	5010064	2.2 kohms \pm 5 % 1/8 W
R102	5010265	3.3 kohms \pm 2 % 1/4 W	R126	5001038	4.7 kohms \pm 10 % 1/2 W
R103	5010045	47 kohms \pm 5 % 1/8 W	R127	5010092	220 ohms \pm 5 % 1/8 W
R104	5010079	22 kohms \pm 5 % 1/8 W	R128	5010072	180 kohms \pm 5 % 1/8 W
R105	5010049	100 kohms \pm 5 % 1/8 W	R129	5010065	100 ohms \pm 5 % 1/8 W
R106	5010063	150 kohms \pm 5 % 1/8 W	R130	5010068	820 ohms \pm 5 % 1/8 W

PC 9 CONTD.

R131	5010075	33 kohms $\pm 5\%$ 1/8 W	R138	5370059	250 ohms $\pm 20\%$ 0.1 W
R132	5010448	22 ohms $\pm 5\%$ 1/8 W	R139	5010047	120 kohms $\pm 5\%$ 1/8 W
R133	5010056	82 ohms $\pm 5\%$ 1/8 W	R140	5010045	47 kohms $\pm 5\%$ 1/8 W
R134	5010247	1.5 kohms $\pm 5\%$ 1/8 W	R141	5010120	220 kohms $\pm 5\%$ 1/8 W
R135	5001024	470 ohms $\pm 10\%$ 1/2 W	R142	5370153	25 kohms $\pm 20\%$ 0.1 W
R136	5010076	3.3 kohms $\pm 5\%$ 1/8 W	R143	5010062	68 kohms $\pm 5\%$ 1/8 W
R137	5010154	8.2 kohms $\pm 5\%$ 1/8 W			

C1	4130099	1.3 μ F $\pm 10\%$ 170 V	C112	4130102	330 n $\pm 20\%$ 250 V
C2	4130103	100 nF $\pm 20\%$ 250 V	C113	4130103	100 n $\pm 20\%$ 250 V
C3	4200097	220 μ F 16 V	C114	4130087	47 n $\pm 10\%$ 250 V
C4	4000069	100 pF $\pm 5\%$ 63 V	C115	4201061	4.7 μ 63 V
C5	4201069	2.2 μ 35 V	C116	4010027	1 n $\pm 10\%$ 100 V
C6	4201058	0.47 μ 35 V	C117	4130089	22 nF $\pm 10\%$ 250 V
C7	4130103	100 n $\pm 20\%$ 250 V	C118	4000057	47 p $\pm 5\%$ 63 V
C8	4201065	10 μ 63 V	C119	4200098	100 μ 10 V
C9	4100049	5.6 n $\pm 1\%$ 63 V	C120	4130097	15 n $\pm 10\%$ 250 V
C10	4201058	0.47 μ 35 V	C121	4201074	47 μ 40 V
C100	4100049	5.6 n $\pm 1\%$ 63 V	C122	4201065	10 μ 63 V
C101	4201065	10 μ 63 V	C123	4200100	22 μ 40 V
C102	4100031	4.7 n $\pm 1\%$ 63 V	C124	4201069	2.2 μ 35 V
C103	4100048	27 n $\pm 1\%$ 63 V	C125	4010027	1 n $\pm 10\%$ 100 V
C104	4100029	2.2 n $\pm 5\%$ 63 V	C126	4010021	220 p $\pm 10\%$ 100 V
C105	4100033	3.3 nF $\pm 5\%$ 63 V	C127	4200098	100 μ 10 V
C106	4100033	3.3 nF $\pm 5\%$ 63 V	C128	4201065	10 μ 63 V
C107	4200333	1 μ 63 V	C129	4200325	1 μ 35 V
C108	4201061	4.7 μ 63 V	C130	4130088	33 n $\pm 10\%$ 250 V
C109	4201065	10 μ 63 V	C131	4010021	220 p $\pm 10\%$ 100 V
C110	4201074	47 μ 40 V	C132	4010063	4.7 nF $\pm 10\%$ 63 V
C111	4010021	220 p $\pm 10\%$ 100 V	C133	4010021	220 pF $\pm 10\%$ 100 V

L1	8020267
L100	8022067
L101	8022068

~~L102~~ 8022043 L102 8022090
~~L103~~ 8022043 L202
 new code nls for record switches
 after SN 1624001 see page 7-3

7400159	Pushbutton unit	7220117	Socket 11 pol.
7450044	Mains switch <i>Tap on/off</i>	7220116	Socket 7 pol.
7400131	Record switch with spring	3131018	Spacer for record switch
7400130	Record switch without spring		NOT AVAILABLE

MOTOR CONTROL, 8005023, PC 15

R1	5010000	270 ohms $\pm 5\%$ 1/8 W	R6	5010068	820 ohms $\pm 5\%$ 1/8 W
R2	5020114	11.5 kohms $\pm 1\%$ 1/8 W	R7	5010045	47 kohms $\pm 5\%$ 1/8 W
R3	5020116	7.87 kohms $\pm 1\%$ 1/8 W	R8	5100023	10 ohms $\pm 10\%$ 1 W
R4	5370173	2.5 kohms $\pm 20\%$ 0.1 W	R9	5010060	39 kohms $\pm 5\%$ 1/8 W
R5	5370173	2.5 kohms $\pm 20\%$ 0.1 W	R10	5010091	82 kohms $\pm 5\%$ 1/8 W

C1	4201029	470 μ F 40 V	C7	4010027	1 nF $\pm 10\%$ 100 V
C2	4100098	68 nF $\pm 2.5\%$ 63 V	C8	4010060	22 nF 40 V
C3	4201057	1 μ F 35 V	C9	4201058	0.47 μ F 35 V
C4	4201081	10 μ F 63 V	C10	4130103	100 nF $\pm 20\%$ 250 V
C5	4201061	4.7 μ F 63 V	C11	4130087	47 nF $\pm 10\%$ 250 V
C6	4010060	22 nF 40 V			

F1	6600028	315 mA-T/250 V SLOW
----	---------	---------------------

P1	7220132	Plug 5/4 pins
P2	7220134	Plug 2 pins
P3	7220133	Plug 4 pins
S1	7459016	Switch
S2	7400115	Micro switch

For Service Manuals Contact
MAURITRON TECHNICAL SERVICES
 8 Cherry Tree Rd, Chinnor
 Oxon OX9 4QY
 Tel: 01844-351694 Fax: 01844-352554
 Email: enquiries@mauritron.co.uk

TRANSISTOR AND IC LIST

18	19	21	23	32	33	43	206
1TR1	8320119	21 TIS 88 A					18 BC 237 B
1TR2							18 BC 171 B
1TR3	8320136	21 TIS 88-3IC2				4IC100/200 8340054	19 MPSA 13
		21 SPF 2060				4IC101/201	19 TPSA 13
1TR4	8320112	23 BF 495				5TR1	8320152 18 BC 557 B
		23 BF 255				5TR2	18 BC 212 B
						5TR3	18 BC 251 B
							18 BC 307 B
2TR1	8320108	18 BC 548 B				5TR4	8320323 19 MPSA 05
2TR2		18 BC 172 B				5TR5	8320292 32 BD 137
		18 BC 183 B				6TR1	8320296 43 BD 226
		18 BC 238 B				6TR3	8320152 18 BC 557 B
2TR3	8320324	19 MPSA 55					18 BC 212 B
2TR4	8320108	18 BC 548 B					18 BC 251 B
		18 BC 172 B					18 BC 307 B
		18 BC 183 B				6TR4	8320097 18 BC 547 B
		18 BC 238 B				6TR5	18 BC 182 B
2TR5	8320311	23 BF 240				6TR101/201	18 BC 237 B
2TR6	8320239	32 BD 135					18 BC 171 B
2TR7	8320097	18 BC 547 B				<i>6TR 100/200 8320365</i>	
		18 BC 182 B				6TR102/202 8320323	19 MPSA 05
		18 BC 237 B				6TR103/203 8320097	18 BC 547 B
		18 BC 171 B					18 BC 182 B
2TR8	8320285	18 BC 548 B					18 BC 237 B
2TR9		18 BC 183 C					18 BC 171 B
2TR10	8320097	18 BC 547 B				6TR104/204 8320377	18 BC 547 B
2TR11		18 BC 182 B				6TR105/205	18 BC 182 C
2TR12		18 BC 237 B				6TR106/206 8320152	18 BC 557 B
		18 BC 171 B					18 BC 212 B
2IC1	8340031	TCA 440					18 BC 251 B
2IC2	8340033	TCA 420 A					18 BC 307 B
2IC3	8340090	TCA 750				6TR107/207 8320323	19 MPSA 05
2IC4	8340103	MC 1310				6TR108/208 8320097	18 BC 547 B
		CA 1310 E				6TR109/209	18 BC 182 B
		MC 1310 N					18 BC 237 B
							18 BC 171 B
2IC5	8340054	19 MPSA 13				6TR110/210 8320383	32 ON 595
2IC6		19 TPSA 13					32 BD 165 S
4TR100/200	8320344	18 BC 550 B					32 BO 135
		18 BC 384 B					32 BD 135
<i>4TR 200 8320365 mm2SH 54.</i>							
4TR101/201	8320097	18 BC 547 B				6IC1	8340126 UA78M 24C4
		18 BC 182 B					

6IC100/200	8340117	33 BDX 33A	9TR100/200	8320344	18 BC 550 B
		<i>RCA 17+24</i>			18 BC 348 BN
6IC101/201	8340118	33 BDX 34A	9TR101/201	8320095	18 BC 549 B
		<i>RCA 17+25</i>	9TR102/202		18 BC 184 BN
7TR1	8340344	18 BC 550B	9TR103/203	8320097	18 BC 547 B
		18 BC 348 B			18 BC 182 B
7IC1	8340054	19 MPSA 13			18 BC 237 B
7IC2		19 TPSA 13			18 BC 171 B
8IC1	8340097	UAA 180	9IC100/200	8340046	NE 545 B
9TR1	8320237	18 BC 546 B		<i>DOCSY TIC</i>	
9TR2			1STR1	8320266	33 TIP 31
9TR3	8320137	18 BC 182 B	15IC1	8340108	C 1003
9TR4					

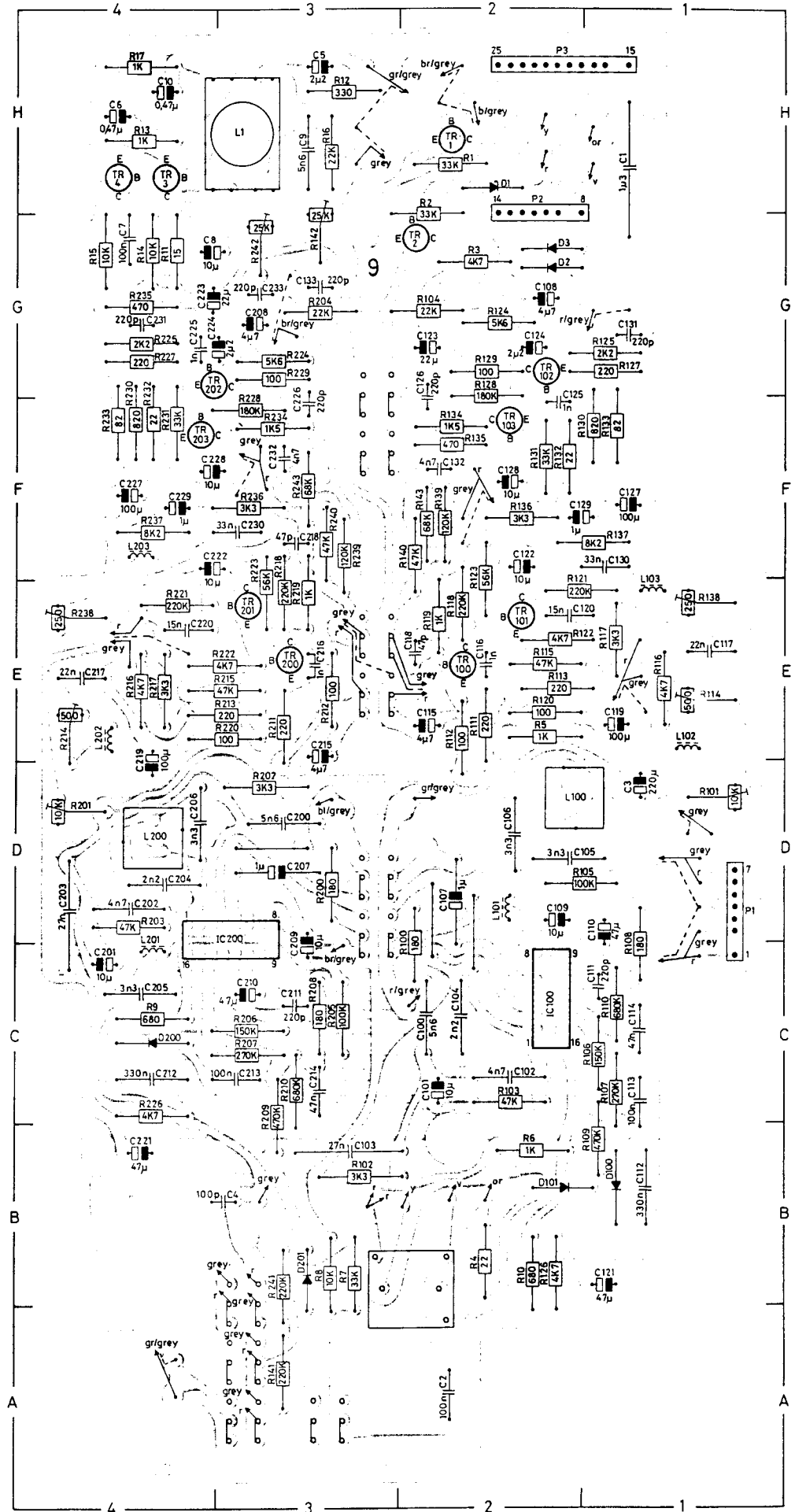
OC6. VARICAP. TUNING. CAP. - 4310011.

DIODE LIST

OD1	8300256	206 CQX 11	6D101/	8300058	1N 4148
		<i>STEREO LED GREEN LAMP.</i>	201		SFD 184
OD2-OD4	8300255	206 CQX 10	6D102/		SFD 184
		<i>TUNING LED RED LAMP.</i>	202		
1D1	8300041	BB 103 green	6SCS1	8300230	2N 6342 AW
1D2	8300050	BB 103 blue		<i>TRIAC</i>	
1D3	8300041	BB 103 green	7D1-D2	8300058	1N 4148
2D1	8300058	1N 4148			SFD 184
		SFD 184	7D3	8300034	ZY 12
2D2	8300024	AA 119	8D1-D2	8300255	206 CQX 10
2D3-D9	8300058	1N 4148	8D3-D8	8300256	206 CQX 11
		SFD 184	8D9	8300255	206 CQX 10
2D10	8300283	6.4 V 5 %	9D1	8300028	9.1 V 5 %
2D11-D13	8300058	1N 4148	9D2	8300058	1N 4148
5D1-D2		SFD 184			SFD 184
5D3	8300023	1N 4002	9D100/	8300042	OA 91
6D1	<i>831 0020</i>	<i>main rectifier</i>	200		
6D2	8300028	ZPD 9.1 V	9D101/	8300058	1N 4148
		BZX 79C 9.1 V	201		SFD 184
		BZX 83C 9.1 V	15D1-D4	8300023	1N 4002
6D3-D6	8300023	1N 4002	15D5	8300029	ZPD 12 V
6D7	8310020	B80C 3200/2200			BZX 79C 12 V
		<i>MAINS RECTIFIER.</i>			BZX 83C 12 V
6D8-D9	8300058	1N 4148			
		SFD 184			
6D100/	8300029	ZPD 12 V			
200		BZX 79C 12 V			
		BZX 83C 12 V			

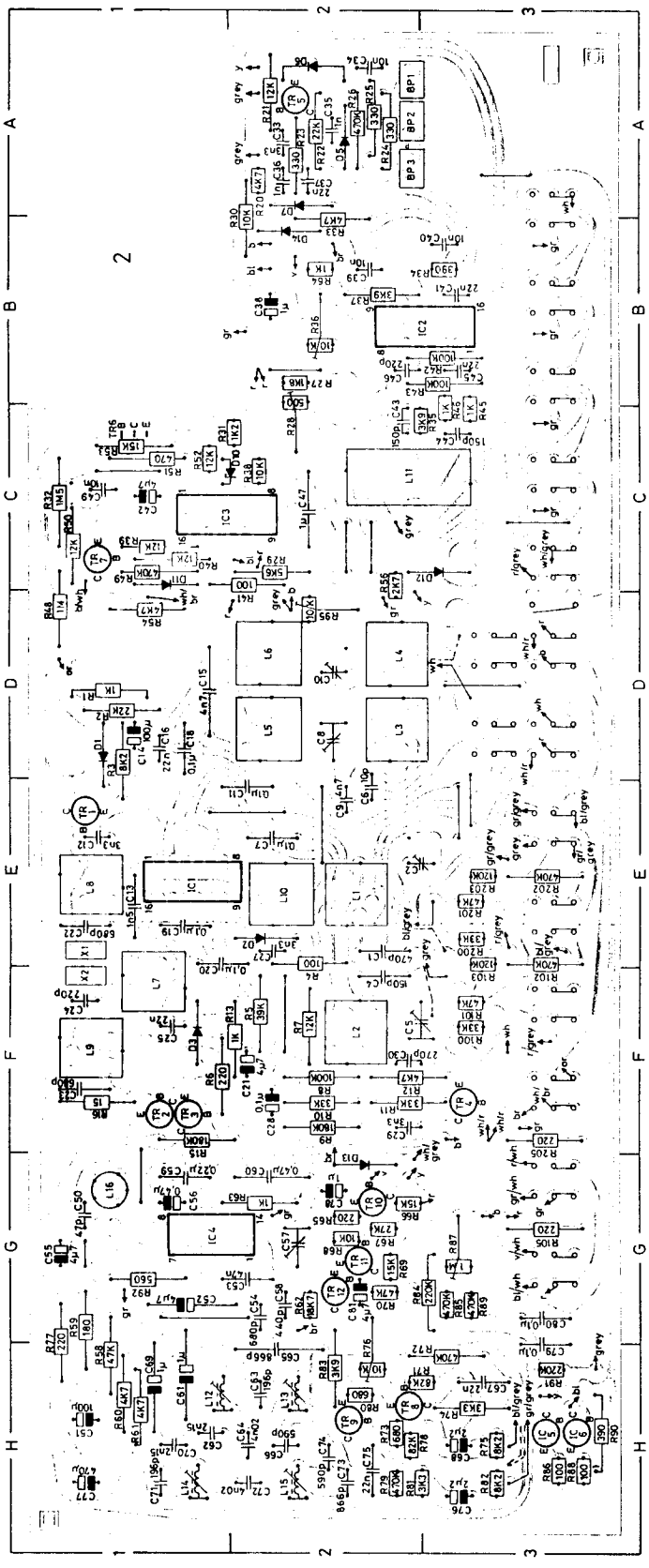
TAPE AMPLIFIER, 8004165, PC 9

For Service Manuals Contact
MAURITRON TECHNICAL SERVICES
8 Cherry Tree Rd, Chinnor
Oxon OX9 4QY
Tel:- 01844-351694 Fax:- 01844-352554
Email:- enquiries@mauritron.co.uk

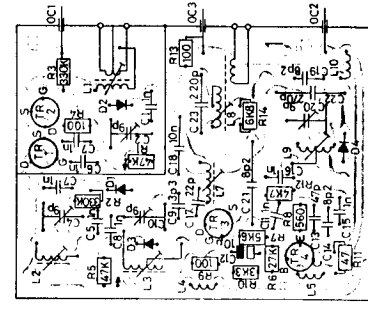


FM, AM AND STEREO DECODER
8002336, PC 2

For Service Manuals Contact
MAURITRON TECHNICAL SERVICES
8 Cherry Tree Rd, Chinnor
Oxon OX9 4QY
Tel: 01844-351694 Fax: 01844-352554
Email: enquiries@maurtron.co.uk

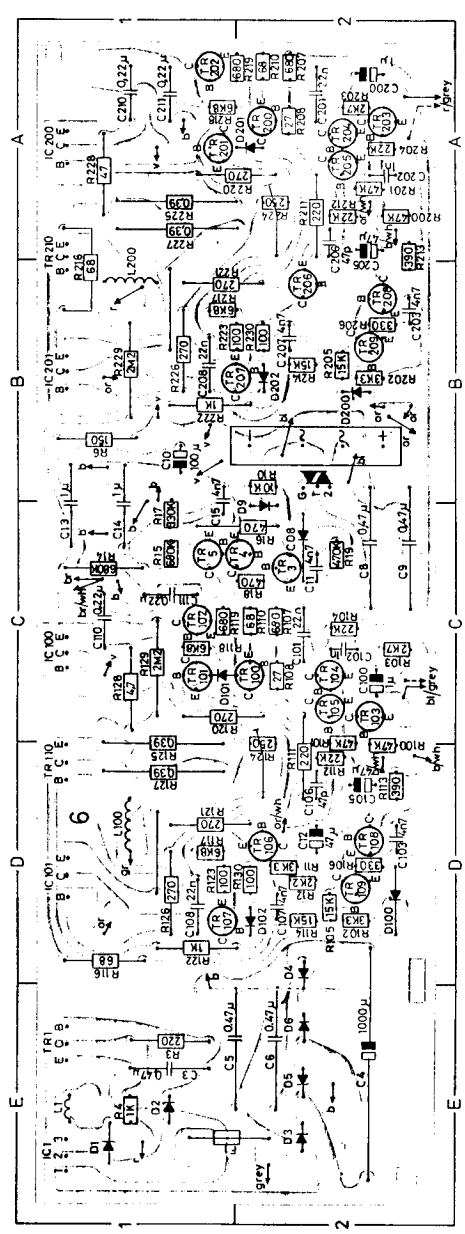


FRONT END, TUNER, JOSEPH, PC 1

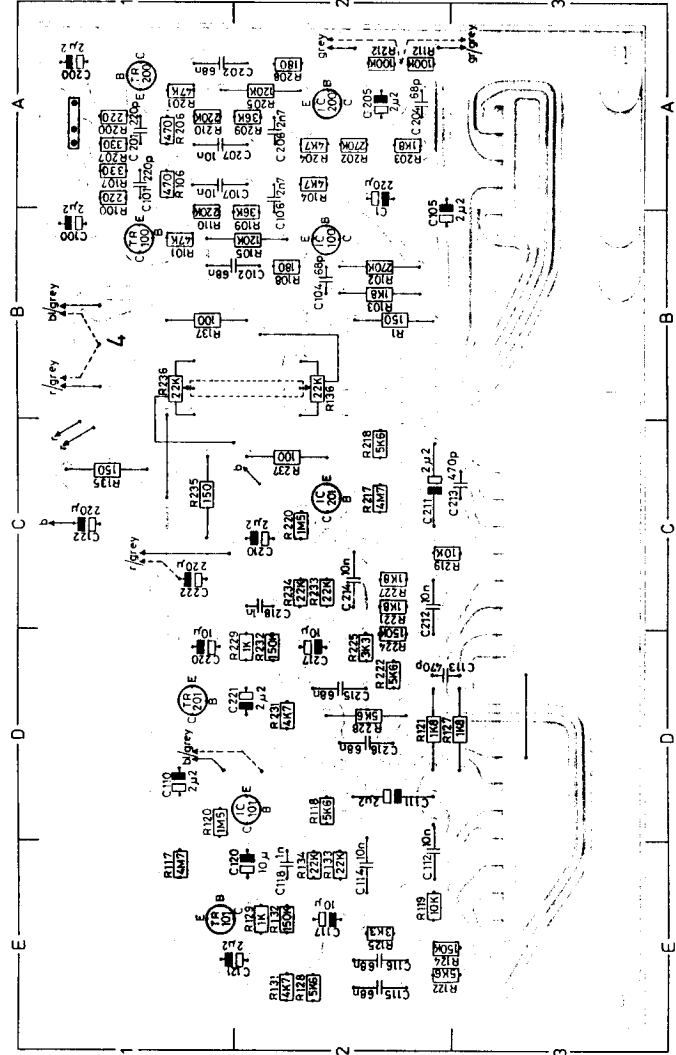


SEEN FROM COPPERFOIL SIDE

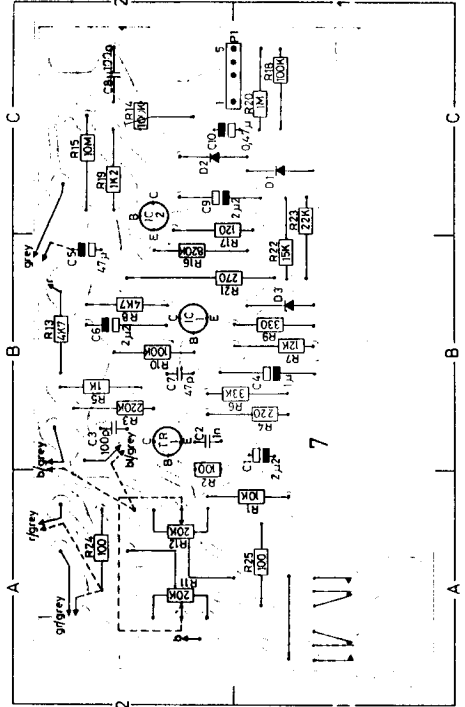
OUTPUT AMP. AND POWER SUPPLY
8002501, PC 6



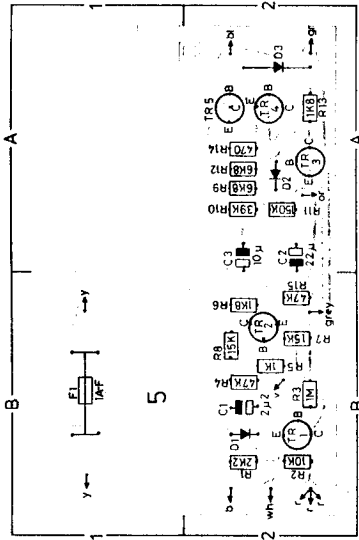
7 TONE CONTROL AND PRE-AMPLIFIER, 8002318, PC 4



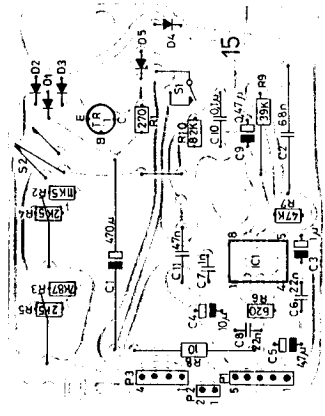
8 MIC. AMP., 8004163, PC 7



9 AUTO-STOP, 8004171, PC 5



10 MOTOR CONTROL, 8005023, PC 15

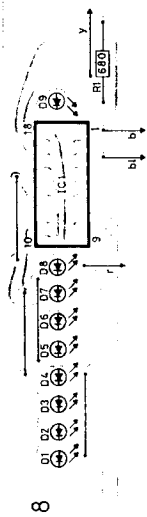


SEEN FROM COPPERFOIL SIDE

11 LEDNINGSFARVER COLOURS OF WIRES KABELFARVEN

b	black	schwarz
bl	blue	blau
br	brown	braun
gr	green	grün
grey	grey	grau
or	orange	orange
r	red	rot
v	violet	violet
wh	white	weiss
y	yellow	gelb

12 INDICATOR, 8004164, PC 8



MÅLEBETINGELSER FOR DIAGRAM

Alle DC spændinger er målt i forhold til stel med voltmeter (indre modstand 11 M Ohm).
 DC spændinger uden parentes er målt med modtageren i stilling FM og antennesignal på 500 μ V (1 mV EMK) med pilottone, volume på 0.
 DC spændinger i AM delen uden parentes er målt med MW knappen aktiveret og signal på 1 V tilført konstanten (1 MHz).
 DC spændinger i parentes er målt uden signal eller med muting aktiveret.
 FM signálniveauer er målt ved Δf 40 kHz, f mod. 1 kHz og antennesignal på 500 μ V, (1 mV EMK).
 LF følsomheder er målt ved 25 W output. Balance, bas, diskant på 0, volume på max. Udgang belastet med 4 Ohm, input 1 kHz.
 Mekaniske omskiftere er vist i neutral stilling.

SYMBOL FOR SIKKERHEDSMODSTANDE



Ved udskiftning af komponenter med dette symbol skal der anvendes samme type, samt samme værdier for ohm og watt. Den nye komponent skal monteres på samme måde som den udsiftede.

CONDITIONS OF MEASUREMENT FOR DIAGRAM

All DC voltages are measured in proportion to chassis with voltmeter (inner resistance 11 M Ohm).
 DC voltages without brackets are measured with the receiver in position FM and an aerial signal of 500 μ V (1 mV EMK) with pilot signal, volume on 0.
 DC voltages in the AM section without brackets are measured with the MW button activated and a signal of 1 V, supplied to the dummy load. (1 MHz).
 DC voltages with brackets are measured without signal or with muting activated.
 FM signal levels are measured at Δf 40 kHz, f mod. 1 kHz and aerial signal 500 μ V. (1 mV EMK).
 AF sensitivities are measured at 25 W output. Balance, bass, treble on 0, volume on max. Output loaded with 4 Ohm, input 1 kHz.
 Mechanical switches are shown in neutral position.

SYMBOL FOR SAFETY RESISTORS



In case of replacement of components with this symbol use the same type and the same values for Ohms and Watts. The new component is to be mounted in the same way as the replaced.

MESSBEDINGUNGEN FÜR SCHALTBILD

Alle DC Spannungen sind im Verhältnis zu Chassis mit Voltmeter (innerer Widerstand 11 M Ohm) gemessen.
 DC Spannungen ohne Klammern sind mit dem Empfänger in Stellung FM und dem Antennensignal von 500 μ V (1 mV EMK) mit Pilotton gemessen, Volume auf 0.
 DC Spannungen im AM Teil ohne Klammern sind mit aktiviertem MW Knopf und einem Signal von 1 V an die Konstante zugeleitet gemessen. (1 MHz).
 DC Spannungen in Klammern sind ohne Signal oder mit aktivierter Stummabstimmung gemessen.
 UKW Signálniveaus sind bei Δf 40 kHz, f mod. 1 kHz und Antennensignal 500 μ V gemessen. (1 mV EMK).
 NF Empfänglichkeiten sind an 25 W Ausgang gemessen. Balance, Tiefton, Diskant auf 0, Volume auf max. Ausgang mit 4 Ohm, Eingang 1 kHz belastet.
 Mechanische Umschalter sind in neutraler Stellung gezeigt.

SYMBOL FÜR SICHERHEITSWIDERSTÄNDE



Bei Auswechslung von Sicherheitswiderständen mit diesem Symbol den gleichen Typ und die gleichen Werte für Ohm und Watt benutzen. Der neue Komponent muß wie der ausgewechselte montiert werden.

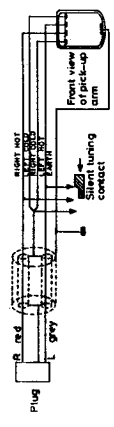
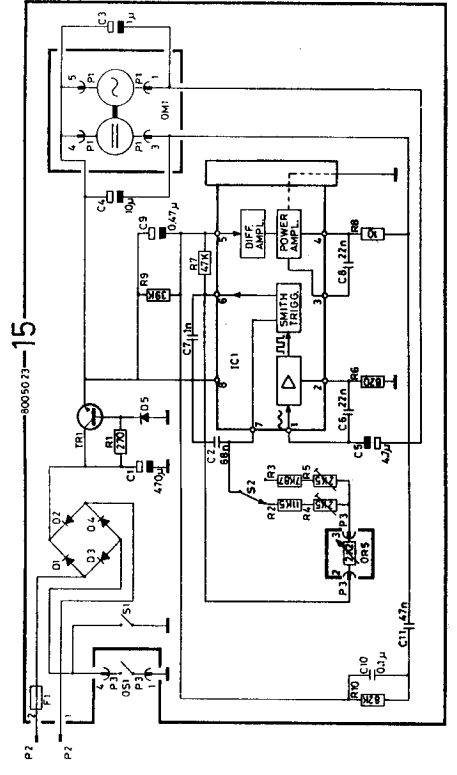
FM SIGNALNIVEAUER/
 FM SIGNAL LEVELS/
 UKW SIGNAL NIVEAUS

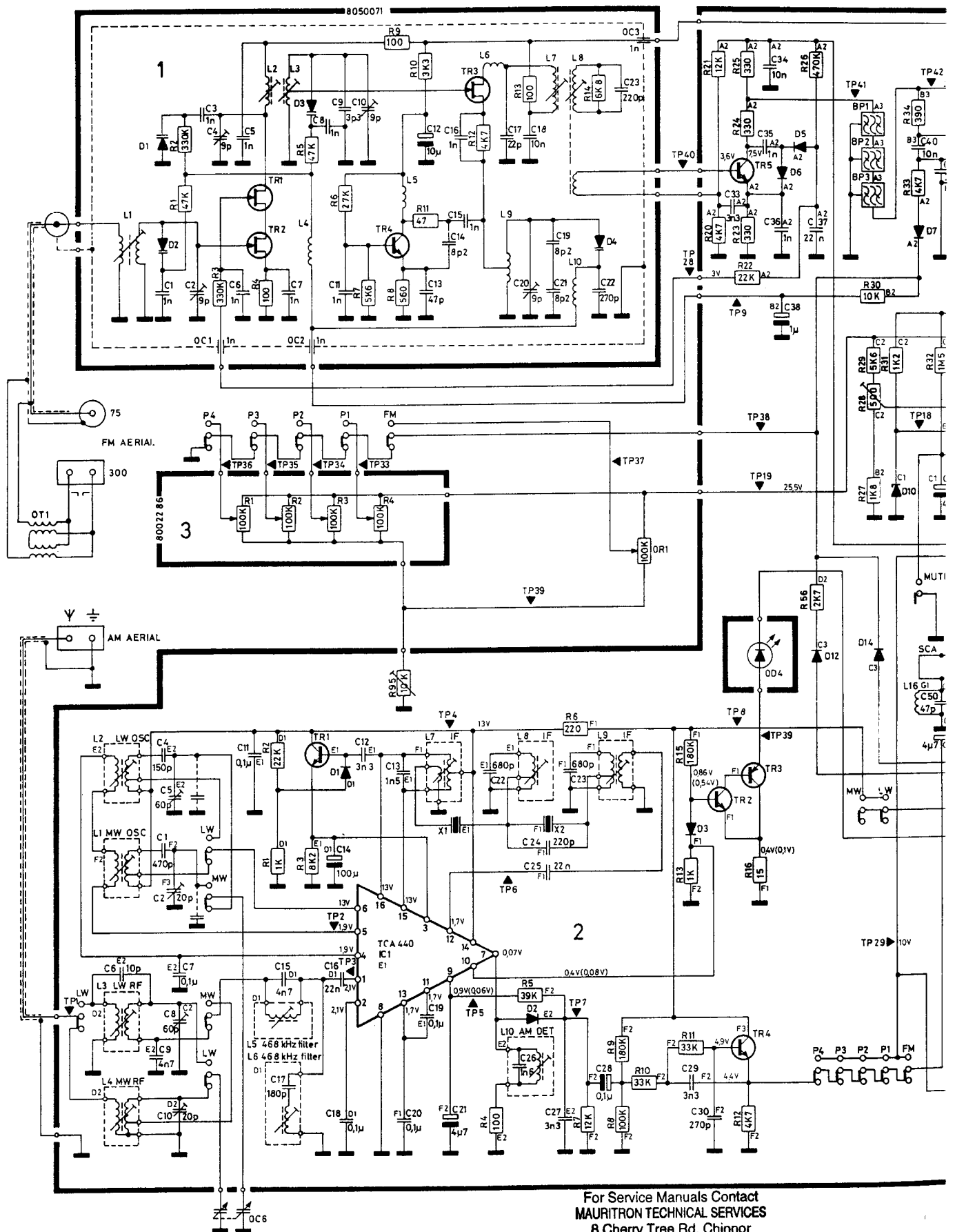
2 TP 40 8 mV
 2 TP 41 600 mV
 2 TP 42 40 mV

FØLSOMHEDER/
 SENSITIVITIES/
 EMPFINDLICHKEITEN

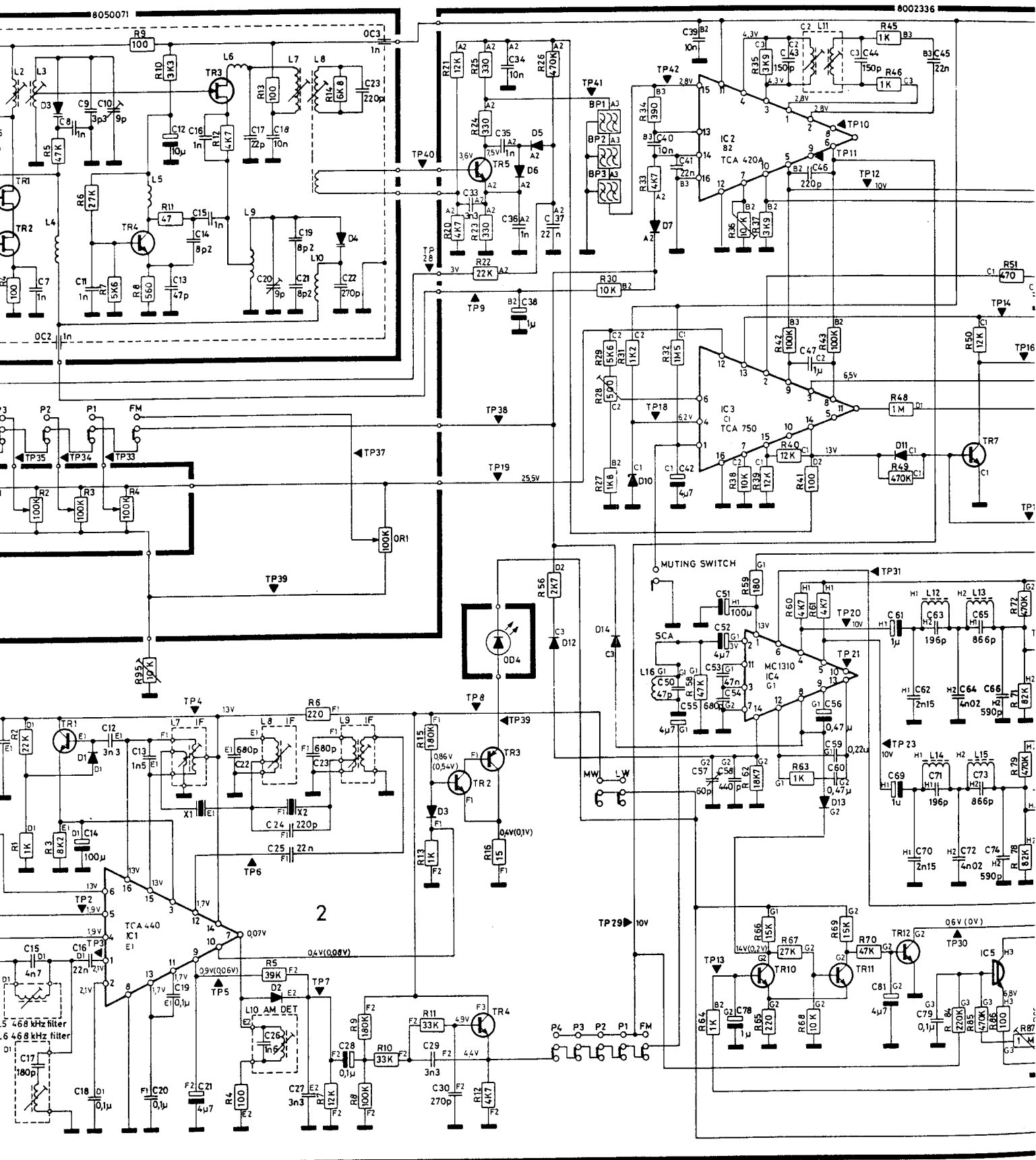
6 TP 100 180 mV
 6 TP 200 180 mV
 Tape 200 mV
 Phono 2,5 mV

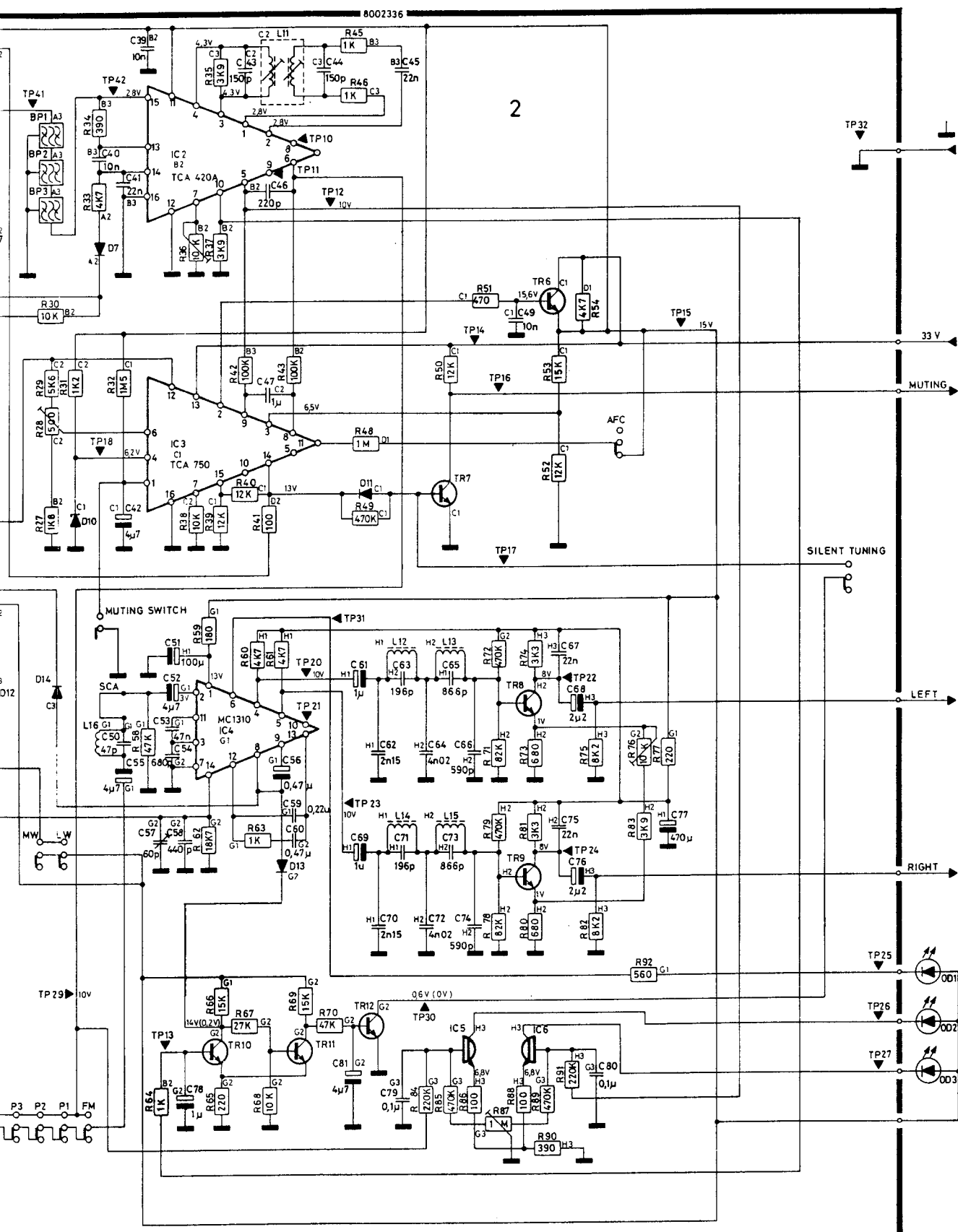
DIAGRAM, RECORD PLAYER



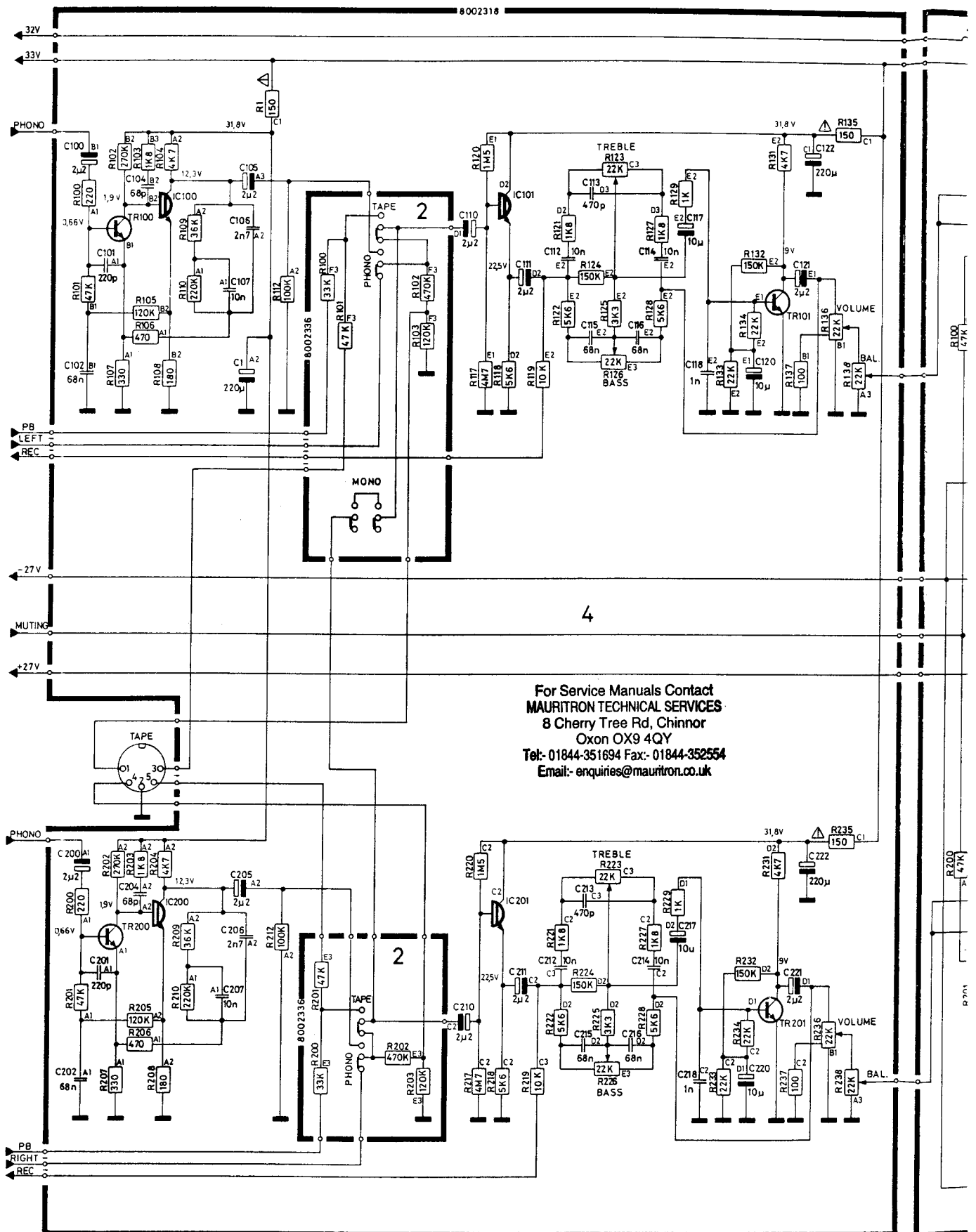


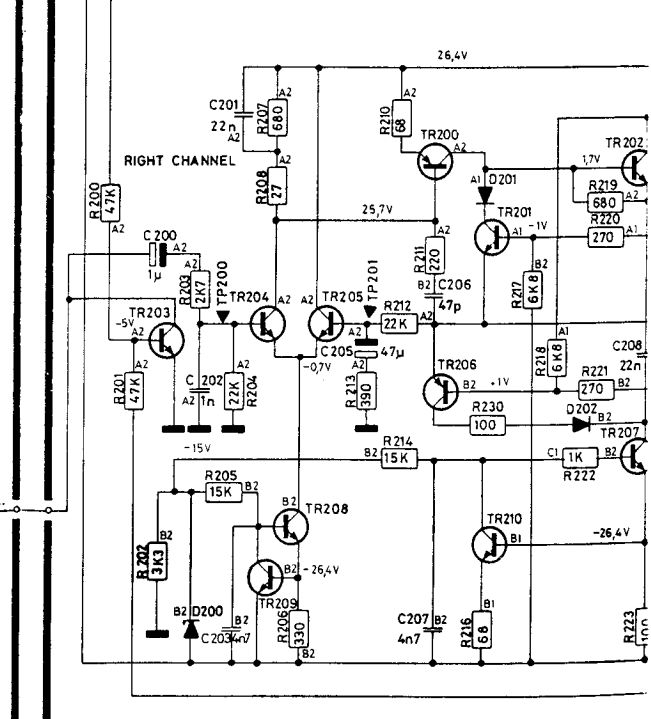
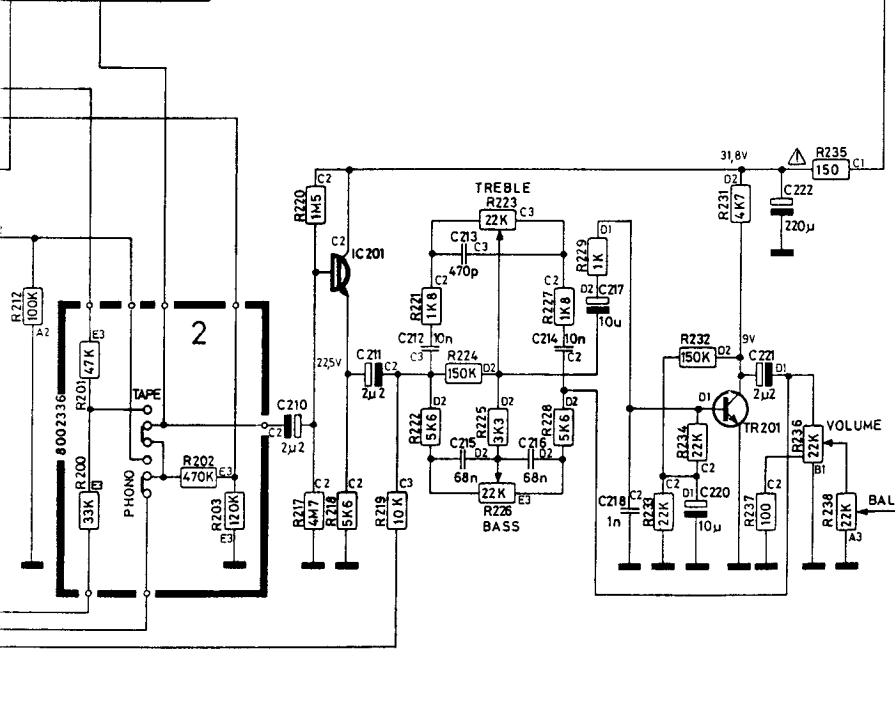
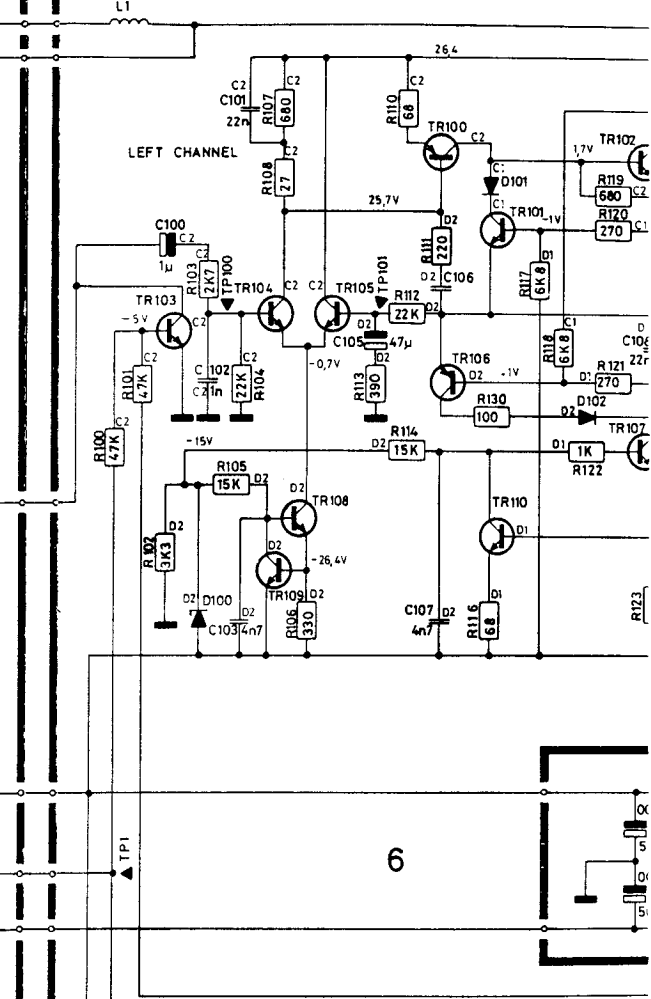
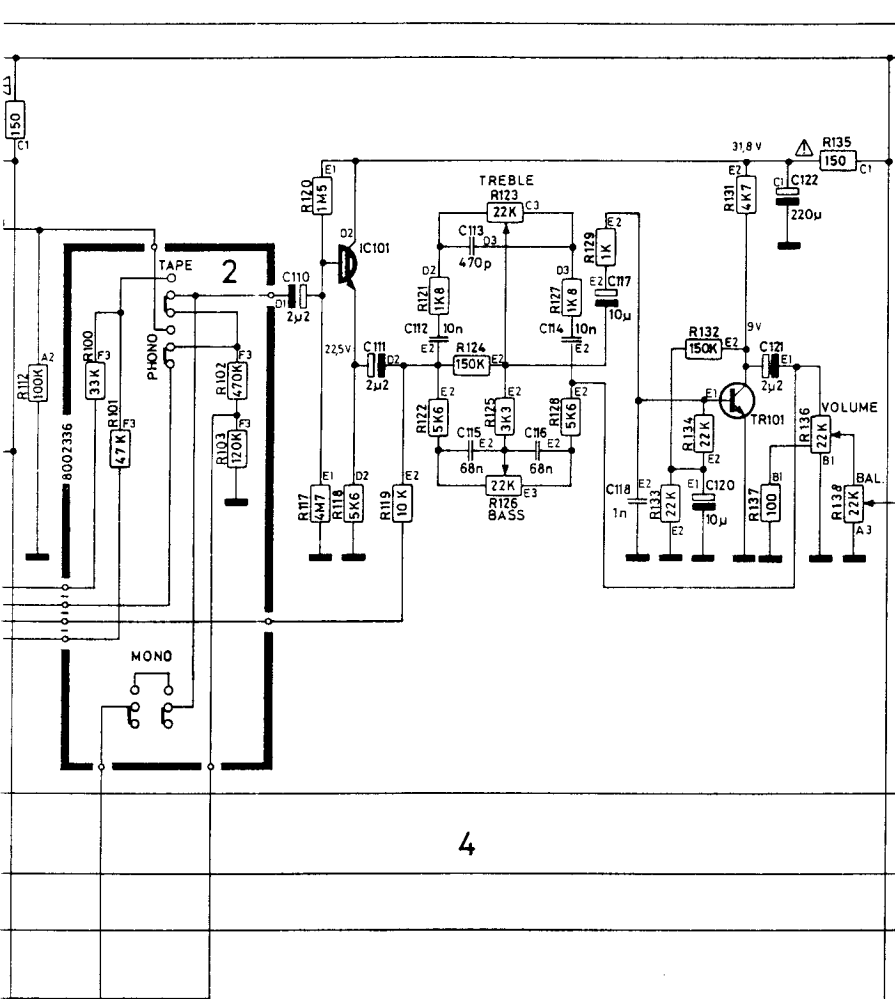
For Service Manuals Contact
MAURITRON TECHNICAL SERVICES
 8 Cherry Tree Rd, Chinnor
 Oxon OX9 4QY
 Tel: 01844-351694 Fax: 01844-352554
 Email: enquiries@mauritron.co.uk





For Service Manuals Contact
MAURITRON TECHNICAL SERVICES
8 Cherry Tree Rd, Chinnor
Oxon OX9 4QY
Tel: 01844-351694 Fax: 01844-352554
Email: enquiries@mauritron.co.uk





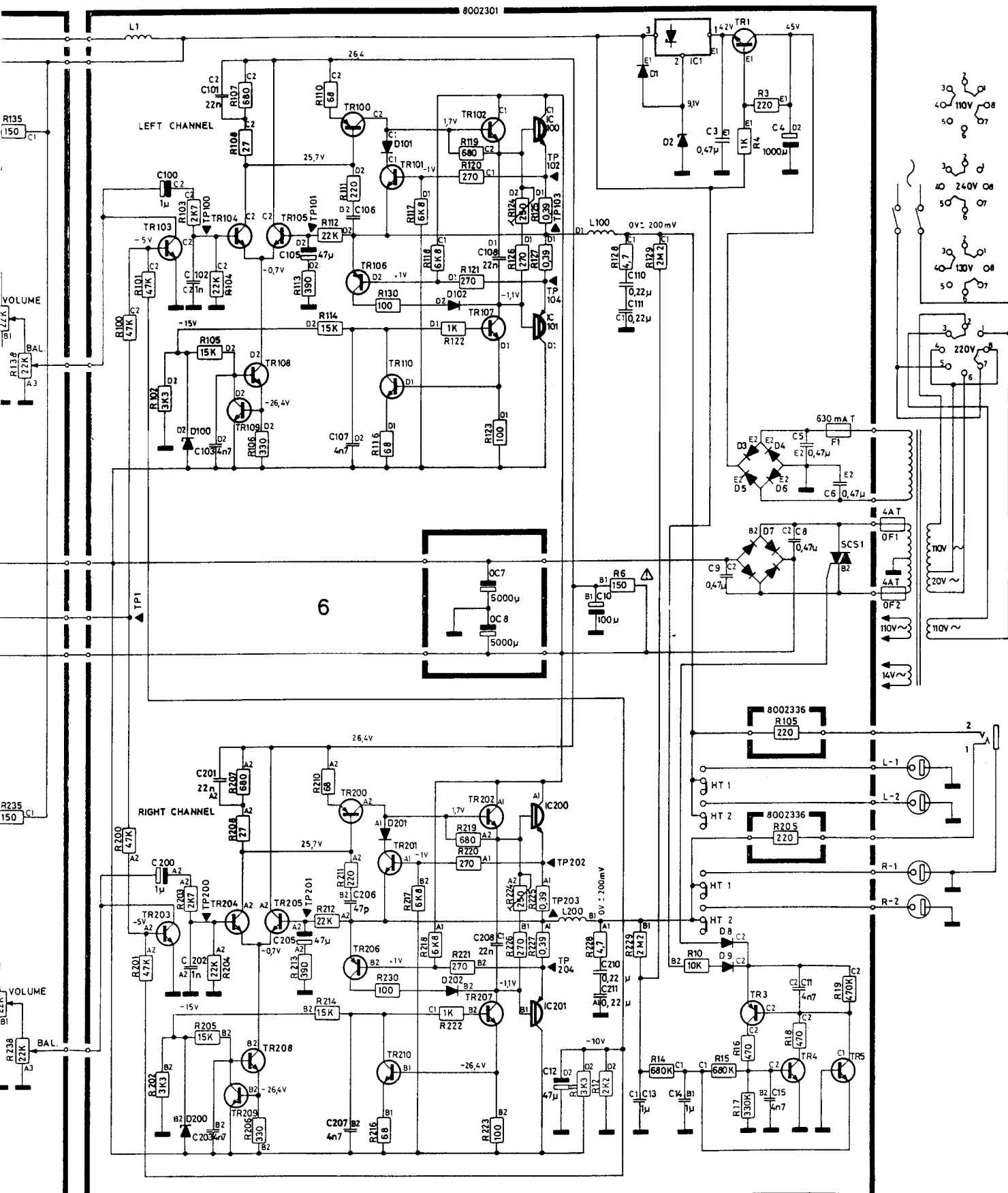
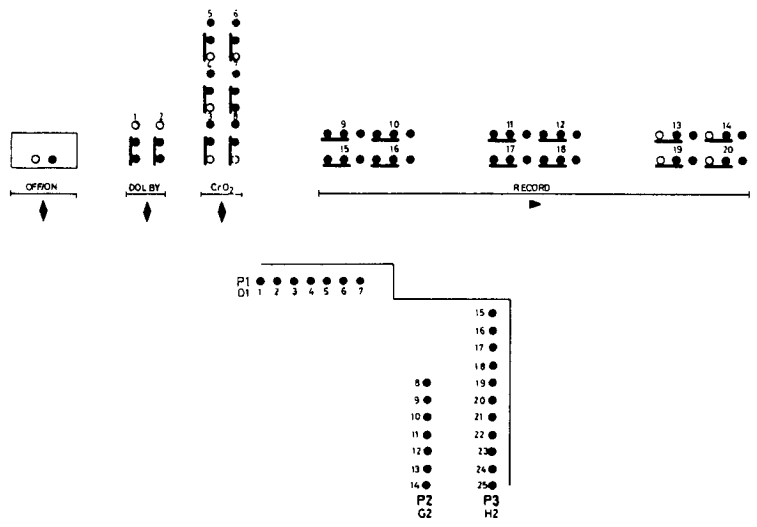
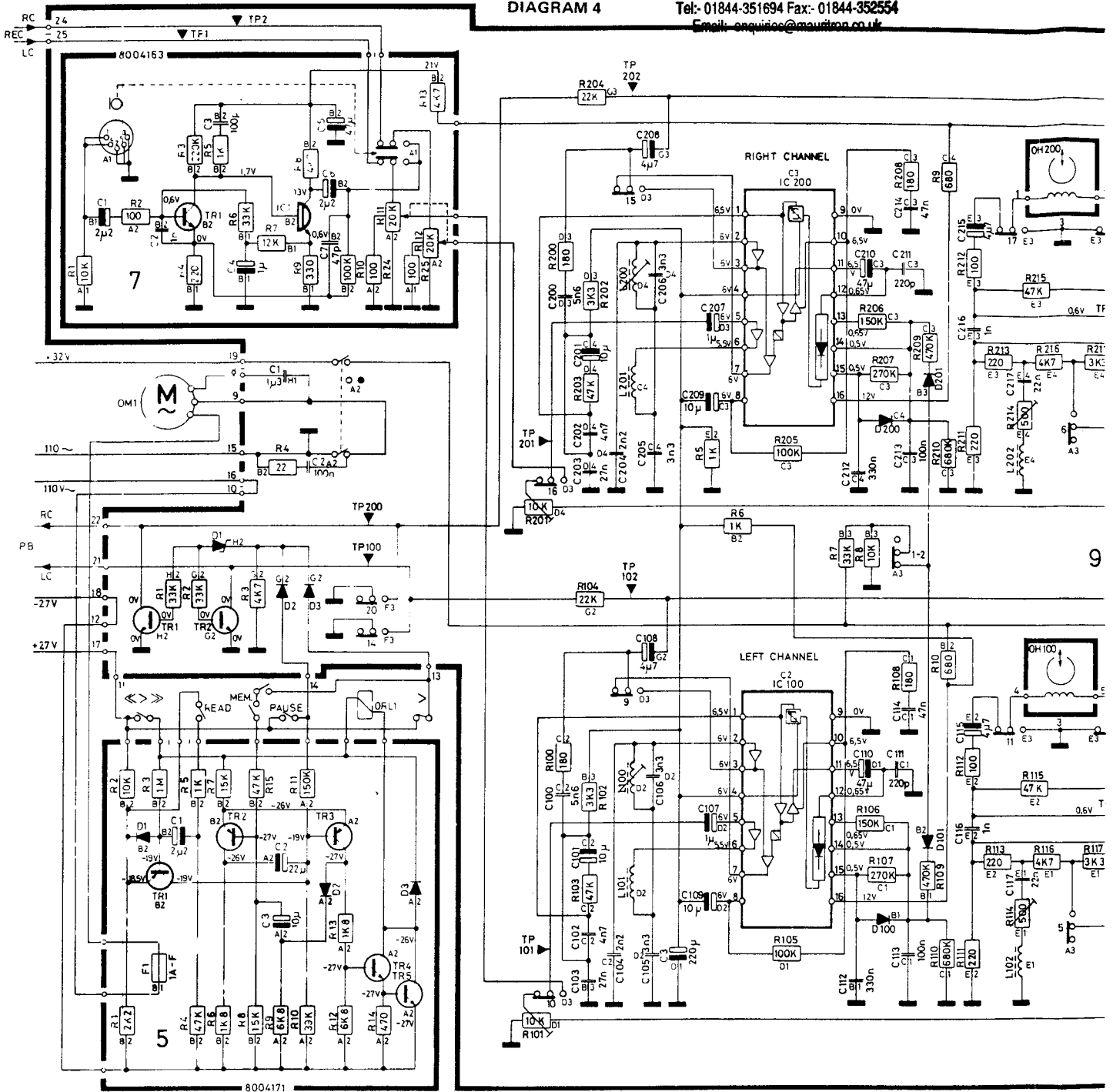


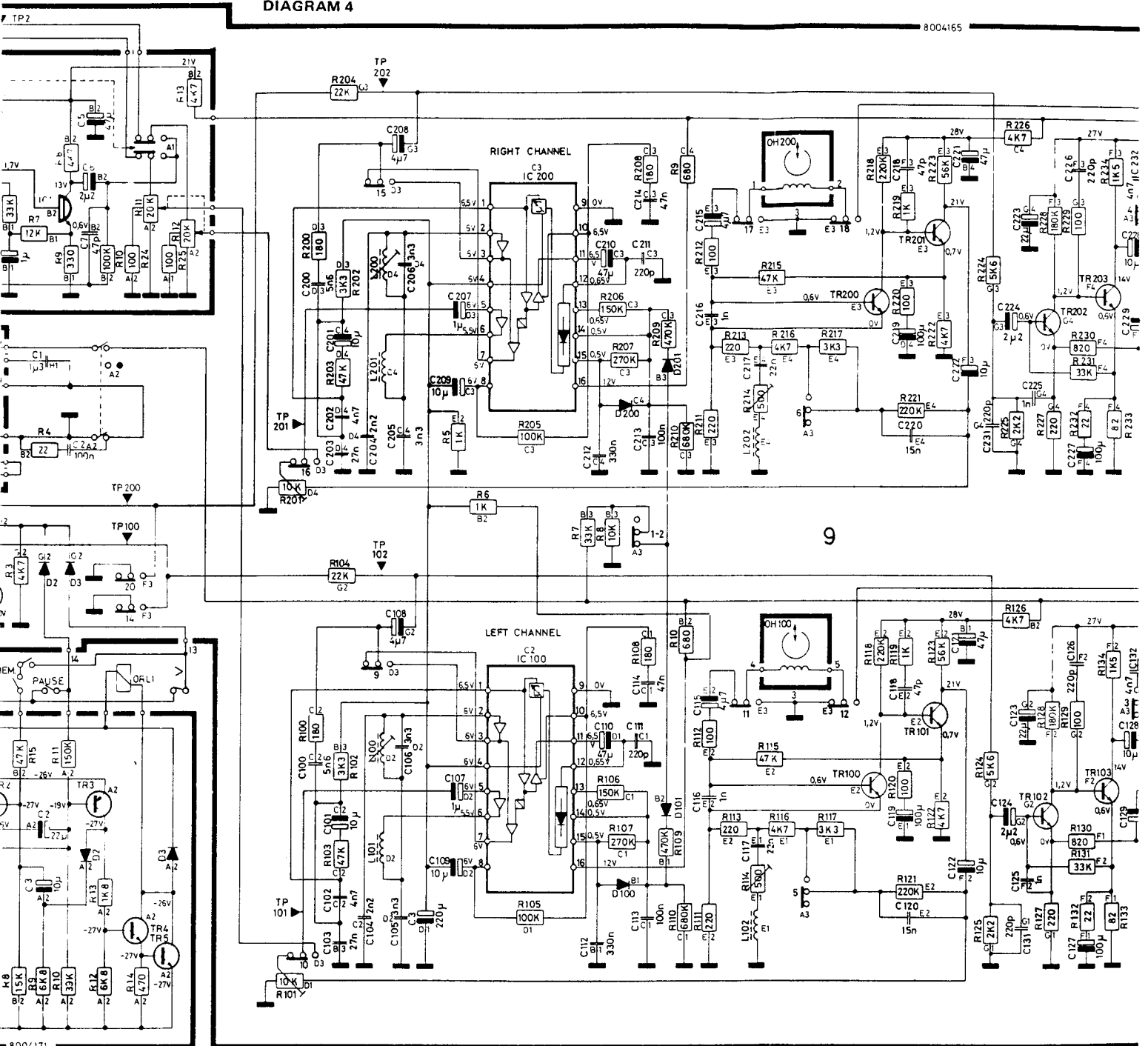
DIAGRAM 4



MÅLEPUNKTER DC	Spændingerne på 9IC100 og 9IC200 er målt med Dolby-knapper indtrykket.	TEST I
	Spændingerne på 9TR102 - 9TR103, 9TR3 - 9TR4 og 9TR202 - 9TR203 er målt i stilling Record.	
AC	Gengive fra pegelbånd: TP100 - TP200 700 mV TP101 - TP201 40 mV TP102 - TP202 700 mV	AC
CrO₂-knappen indtrykket og optageknappen i max.	Optage: TP3 65 V 98 kHz TP1 - TP2 40 mV TP101 - TP201 40 mV TP102 - TP202 580 mV TP103 - TP203 3 V 1 rød LED må lyse ved mono signal.	CrO₂-t and rec in max
Mikrofon	Optage: Mikrofon indgang 90 μV	Microp

DIAGRAM 4

8004165



MÅLEPUNKTER DC

Spændingerne på 9IC100 og 9IC200 er målt med Dolby-knapper indtrykket.

Spændingerne på 9TR102 - 9TR103, 9TR3 - 9TR4 og 9TR202 - 9TR203 er målt i stilling Record.

AC

Gengive fra pegelbånd:

- TP100 - TP200 700 mV
- TP101 - TP201 40 mV
- TP102 - TP202 700 mV

CrO₂-knappen

indtrykket og optageknappen i max.

Optage:

- TP3 65 V 98 kHz
- TP1 - TP2 40 mV
- TP101 - TP201 40 mV
- TP102 - TP202 580 mV
- TP103 - TP203 3 V

1 rød LED må lyse ved mono signal.

Mikrofon

Optage:

- Mikrofon indgang 90 μ V

TEST POINTS DC

The voltages on 9IC100 ar been measured with dep button.

The voltages on 9TR102 - 9TR4 and 9TR202 - 9TR203 measured in position Record

AC

- Playing back from level tap
- TP100 - TP200
- TP101 - TP201
- TP102 - TP202

CrO₂-button depressed and recording button in max.

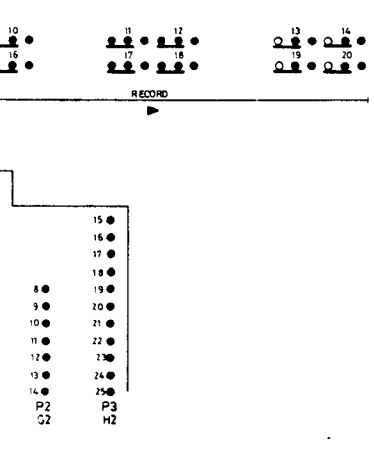
- Recording:
- TP3
- TP1 - TP2
- TP101 - TP201
- TP102 - TP202
- TP103 - TP203

1 red LED must shine at m

Microphone

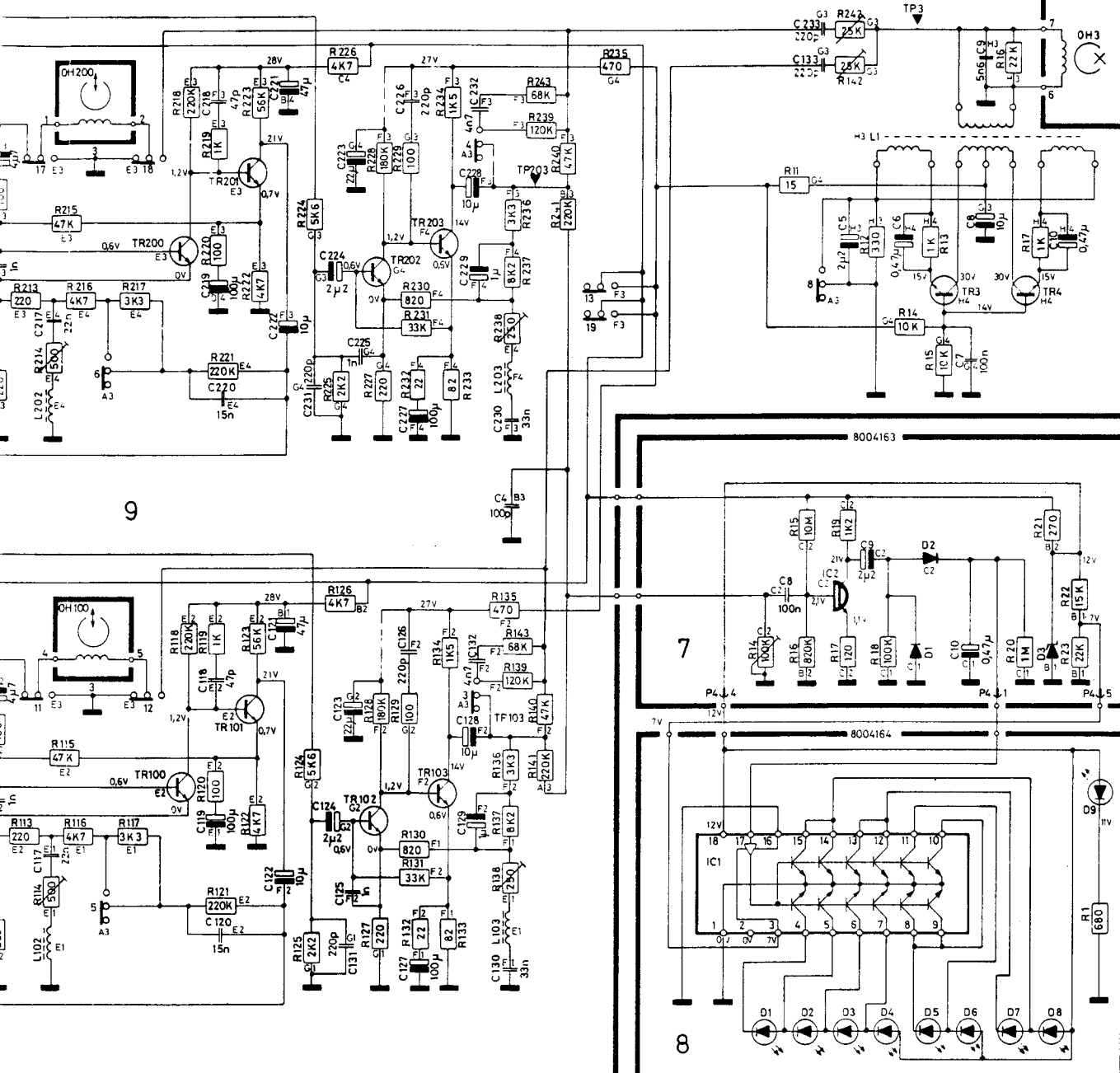
- Recording:
- Microphone input

8004171



For Service Manuals Contact
MAURITRON TECHNICAL SERVICES
 8 Cherry Tree Rd, Chinnor
 Oxon OX9 4QY
 Tel: 01844 951894 Fax: 01844 252554
 Email: enquiries@mauritron.co.uk

8004165



er målt
 9TR3
 i stil-
 700 mV
 40 mV
 700 mV
 98 kHz
 40 mV
 40 mV
 580 mV
 3 V
 90 μV

TEST POINTS DC
AC
CrO₂-button depressed and recording button in max.
Microphone

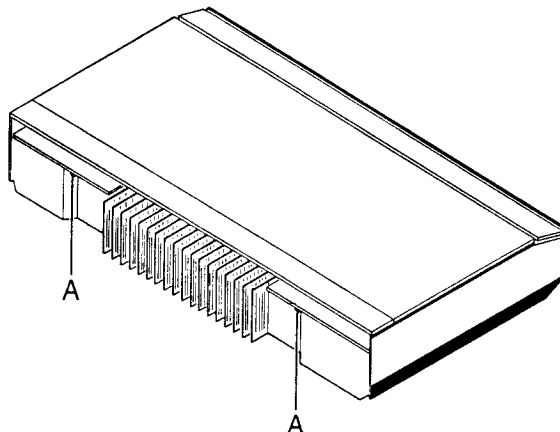
The voltages on 9IC100 and 9IC200 have been measured with depressed Dolby-button.
 The voltages on 9TR102 - 9TR103, 9TR3 - 9TR4 and 9TR202 - 9TR203 have been measured in position Record.
 Playing back from level tape:
 TP100 - TP200 700 mV
 TP101 - TP201 40 mV
 TP102 - TP202 700 mV
 Recording:
 TP3 65 V 98 kHz
 TP1 - TP2 40 mV
 TP101 - TP201 40 mV
 TP102 - TP202 580 mV
 TP103 - TP203 3 V
 1 red LED must shine at mono signal.
 Recording:
 Microphone input 90 μV

TESTPUNKTE DC
AC
CrO₂ Knopf eingedrückt und Aufnahme Knopf in max.
Mikrofon

Die Spannungen auf 9IC100 und 9IC200 sind mit dem Dolby-Knopf eingedrückt gemessen.
 Die Spannungen auf 9TR102 - 9TR103, 9TR3 - 9TR4 und 9TR202 - 9TR203 sind in Position Record gemessen.
 Von Pegelband wiedergeben:
 TP100 - TP200 700 mV
 TP101 - TP201 40 mV
 TP102 - TP202 700 mV
 Aufnehmen:
 TP3 65 V 98 kHz
 TP1 - TP2 40 mV
 TP101 - TP201 40 mV
 TP102 - TP202 580 mV
 TP103 - TP203 3 V
 Bei Mono-Signal muß ein rotes LED leuchten.
 Aufnehmen:
 Mikrophoneingang 90 μV

BEOMASTER 1500, TYPE 2629

ADSKILLELSE/SAMLING
DISASSEMBLY/ASSEMBLY
ZERLEGUNG/SAMMLUNG
DEMONTAGE/MONTAGE



Kabinet, topplade

De to skruer (A) i bagkanten skrues ud. Toppladen kan nu tages af ved at løfte i bagkanten.

Cabinet, top plate

Unscrew the two screws (A) in the rear edge. Now the top plate may be removed by lifting the rear edge.

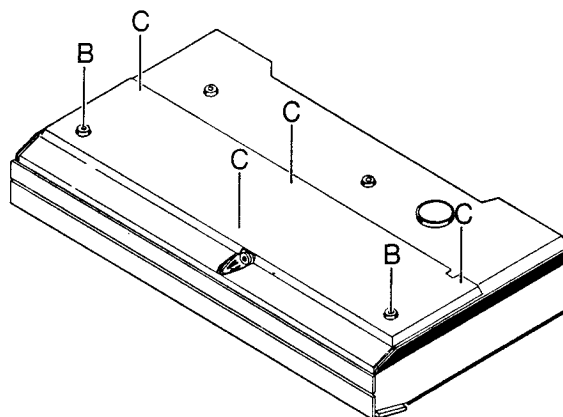
Gehäuse, obere Abdeckung

Die zwei Schrauben (A) in der Hinterkante abschrauben.
Die Abdeckplatte kann jetzt dadurch entfernt werden, dass man in der Hinterkante hebt.

Ebénisterie, plaque haute

Dévisser les deux vis (A) dans l'âreté arrière.
Maintenant il est possible d'enlever la plaque haute en levant l'âreté arrière.

For Service Manuals Contact
MAURITRON TECHNICAL SERVICES
8 Cherry Tree Rd, Chinnor
Oxon OX9 4QY
Tel: 01844-351694 Fax: 01844-352554
Email: enquiries@mauritron.co.uk



Bundplade

De to gummifødder (B) og de fire skruer (C) fjernes.

Bottom plate

Remove the two rubber supports (B) and the four screws (C).

Bodenabdeckung

Die zwei Gummifüße (B) und die vier Schrauben (C) entfernen.

Plaque de fond

Enlever les deux pieds caoutchouc (B) et les quatre vis (C).

TECHNICAL DATA, DIN 45500

Amplifier

Power output	2 x 25 W RMS/4 ohms
	2 x 19 W RMS/8 ohms
	2 X 40 W music/4 ohms
	2 x 25 W music/8 ohms
Speaker impedance	4 ohms
Harmonic distortion	< 0.1%
Intermodulation	< 0.25%
Frequency range	20 - 35,000 Hz
Damping factor	> 50
PHONO, inputs	2.2 mV/47 kohms
Overload margin	80 mV
Signal-to-noise ratio	> 60 dB
TAPE, inputs	200 mV/470 kohms
Signal-to-noise ratio	> 60 dB
Channel separation 1000 Hz	> 56 dB
Channel separation 250 - 10,000 Hz	> 40 dB
TAPE, outputs (nom. input phono)	30 mV/100 kohms
Headphones	14 V/220 ohms
BASS control at 40 Hz	± 12 dB
TREBLE control at 12,5000Hz	± 12 dB
BALANCE control	± 60 dB

FM tuner

Aerial impedance	75/300 ohms
Range	87.5 - 108 MHz
Sensitivity, stereo, 46 dB	35 μ V/75 ohms
Frequency range	20 - 15,000 Hz
Harmonic distortion	< 0,4%
Channel separation, 1000 Hz	> 35 dB
Channel separation, 250 - 10,000 Hz	> 30 dB
Pilot suppression, 19 kHz	> 45 dB
38 kHz	> 50 dB

AM tuner

LW	147 - 350 kHz
MW	520 - 1610 kHz
Sensitivity LW 200 kHz, 20 dB S/N IEC	90 μ V
MW 1000 kHz, 20 dB S/N IEC	90 μ V
Bandwidth 3 dB	6 kHz

Other data

Power supply	110 - 130 - 220 - 240 V
Frequency	50/60 Hz
Power consumption	20 - 150 W
Dimensions W x H x D	50 x 9 x 27 cm
Weight	9 kg

Subject to change without notice

STYKLISTE

BEOMASTER 1500, TYPE 2629

14	2568509	Frontprofil
* 15	3152243	Skærm, TREBLE
* 16	3152241	Skærm, BASS
* 29	3152242	Skærm, BALANCE
* 32	3152092	Slæde
* 36	2039901	Skrue
48	3291097	Skala
59	3412801	Kabinet side, venstre, teak
	3412803	Kabinet side, venstre, palisander
	3412804	Kabinetside, venstre, eg
79	3470083	Vinkel
* 102	2013017	Skrue
113	3452315	Chassis
125	3470084	Vinkel
137	3412811	Kabinetside, højre, teak
	3412813	Kabinetside, højre, palisander
	3412814	Kabinetside, højre, eg
* 144	8013193	Nettransformator

IKKE VISTE DELE

3532127	Diagram Beomaster 1500
3454237	Bundplade
3412571	Kabinetsæt, 3 dele, teak
3412573	Kabinetsæt, 3 dele, palisander
3412574	Kabinetsæt, 3 dele, eg
3391503	Yderæske
3397294	Skumemballage, venstre
3397295	Skumemballage, højre

* Se også afsnit med ændringer.

RETTELSE/ÆNDRINGER

TIL BEOCENTER 2800 OG 4600

Ændringer, side 8-2

15	3152243	Skærm, TREBLE
16	3152241	Skærm, BASS
29	3152242	Skærm, BALANCE
32	3152092	Slæde
36	2039901	Skrue
102	2013017	Skrue
144	8013193	Nettransformator efter apparat nr. 1536001

For Service Manuals Contact
MAURITRON TECHNICAL SERVICES
8 Cherry Tree Rd. Chinnor
Oxon OX9 4QY
Tel:- 01844-351694 Fax:- 01844-352554
Email:- enquiries@mauritron.co.uk

Rettelser

7TR1:	8320344
Fatning 3 pol. PC4:	7220131
Side 8-9: pos. 13	2034215 Skrue
Side 8-12: pos. 74	3017012 Kurvehjul

6TR100/200	8320365
6D10	8300208
6D11	

Tilføjelser

60 HZ sæt Beocenter 4600: 8410008

PARTS LIST

BEOMASTER 1500, TYPE2629

14	258509	Front panel
*15	3152243	Screen, TREBLE
*16	3152241	Screen, BASS
*29	3152242	Screen, BALANCE
*32	3152092	Slide
*36	2039901	Screw
48	3191097	Dial
59	3412801	Cabinet side, left, teak
	3412803	Cabinet side, left, rosewood
	3412804	Cabinet side, left, oak
79	3470083	Bracket
*102	2013017	Screw
113	3452315	Chassis
125	3470084	Bracket
137	3412811	Cabinet side, right, teak
	3412813	Cabinet side, right, rosewood
	3412814	Cabinet side, right, oak
* 144	8013193	Mains transformer

Parts not shown

3532127	Diagram, Beomaster 1500
3454237	Bottom plate
3412571	Cabinet set, 3 parts, teak
3412573	Cabinet set, 3 parts, rosewood
3412574	Cabinet set, 3 parts, oak
3391503	Outer carton
3397294	Foam packing, left
3397295	Foam packing, right

* See also paragraph on changes.

CORRECTIONS/CHANGES TO
BEOCENTER 2800 AND 4600

Changes, page 8-2

15	3152243	Screen, TREBLE
16	3152241	Screen, BASS
29	3152242	Screen, BALANCE
32	3152092	Slide
36	2039901	Screw
102	2013017	Screw
144	8013193	Mains transformer after serial no. 1536001

Corrections

7TR1:	8320344
Socket 3 pol. PC4:	7220131
Page 8-9: pos. 13	2034215 Screw
Page 8-12: pos. 74	3017012 Cam-lifting wheel

Additions

6TR100/200	8320365
6D10	8300208
6D11	

60 Hz kit Beocenter 4600: 8410008

STÜCKLISTE

BEOMASTER 1500, TYP 2629

- 14 2568509 Frontprofil
- *15 3152243 Schirm, TREBLE
- *16 3152241 Schirm, BASS
- *29 3152242 Schirm, BALANCE
- *32 3152092 Schlitten
- *36 2039901 Schraube
- 48 3191097 Skala
- 59 3412801 Gehäusenseite, link, Teak
- 3412803 Gehäusenseite, link, Palisander
- 3412804 Gehäusenseite, link, Eiche
- 79 3470083 Winkel
- *102 2013017 Schraube
- 113 3452315 Chassis
- 125 3470084 Winkel
- 137 3412811 Gehäusenseite, recht, Teak
- 3412813 Gehäusenseite, recht, Palisander
- 3412814 Gehäusenseite, recht, Eiche
- *144 8013193 Netztransformator

Nicht gezeigte Teile

- 3532127 Schaltbild, Beomaster 1500
- 3454237 Bodenabdeckung
- 3412571 Gehäusensatz, 3 Teile, Teak
- 342573 Gehäusensatz, 3 Teile, Palisander

- 3412573 Gehäusensatz, 3 Teile, Palisander
- 3412574 Gehäusensatz, 3 Teile, Eiche
- 3391503 Aussenkarton
- 3397294 Schaumverpackung, link
- 3397295 Schaumverpackung, recht

* Siehe auch Abschnitt über Änderungen.

KORREKTIONEN/ÄNDERUNGEN ZU BEOMASTER 2800 UND 4600

Änderungen, seite 8-2

- 15 3152243 Schirm, TREBLE
- 16 3152241 Schirm, BASS
- 29 3152242 Schirm, BALANCE
- 32 3152092 Schlitten
- 36 2039901 Schraube
- 102 2013017 Schraube
- 144 8013193 Netztransformator, von Geräte Nr. 1536001 ab.

Korrekturen

- 7TR1: 8320344
- Fassung 3 pol. PC4: 7220131
- Seite 8-9: Pos. 13 2034215 Schraube
- Seite 8-12: Pos. 74 3017012 Kurvenrad

Hinzufügungen

- 6TR100/200 8320365
- 6D10 8300208
- 6D11
- 60 Hz Kit Beocenter 4600: 8410008

For Service Manuals Contact
MAURITRON TECHNICAL SERVICES
8 Cherry Tree Rd, Chinnor
Oxon OX9 4QY
Tel:- 01844-351694 Fax:- 01844-352554
Email:- enquiries@mauritron.co.uk

LISTE DES PIÈCES DÉTACHÉES
BEOMASTER 1500, TYPE 2629

14	2568509	plaque avant
*15	3152243	écran, TREBLE
*16	3152241	écran, BASS
*29	3152242	écran, BALANCE
*32	3152092	guide
*36	2039901	vis
48	3191097	cadran
59	3412801	ébénisterie, gauche, teck
	3412803	ébénisterie, gauche, palissandre
	3412804	ébénisterie, gauche, chene
79	3470083	équerre
*102	2013017	vis
113	3452315	chassis
125	3470084	équerre
137	3412811	ébénisterie, droit, teck
	3412813	ébénisterie, droit, palissandre
	3412814	ébénisterie, droit, chene
*144	8013193	transformateur secteur

Pièces non indiquées

3532127	schéma, Beomaster 1500
3454237	plaque de fond
3412571	ébénisterie, 3 parts, teck
3412573	ébénisterie, 3 parts, palissandre
3412574	ébénisterie, 3 parts, chène
3391503	boîte extérieure
3397294	emballage polystyrene, gauche
3397295	emballage polystyrene, droit

* Voir aussi la section concernant modifications

CORRECTIONS/MODIFICATIONS
POUR BEOCENTER 2800 ET 4600

Modifications, page 8-2

15	3152243	écran, TREBLE
16	3152241	écran, BASS
29	3152242	écran, BALANCE
32	3152092	guide
36	2039901	vis
102	2013017	vis
144	8012193	transformateur secteur, de l'appareil no. 1536001

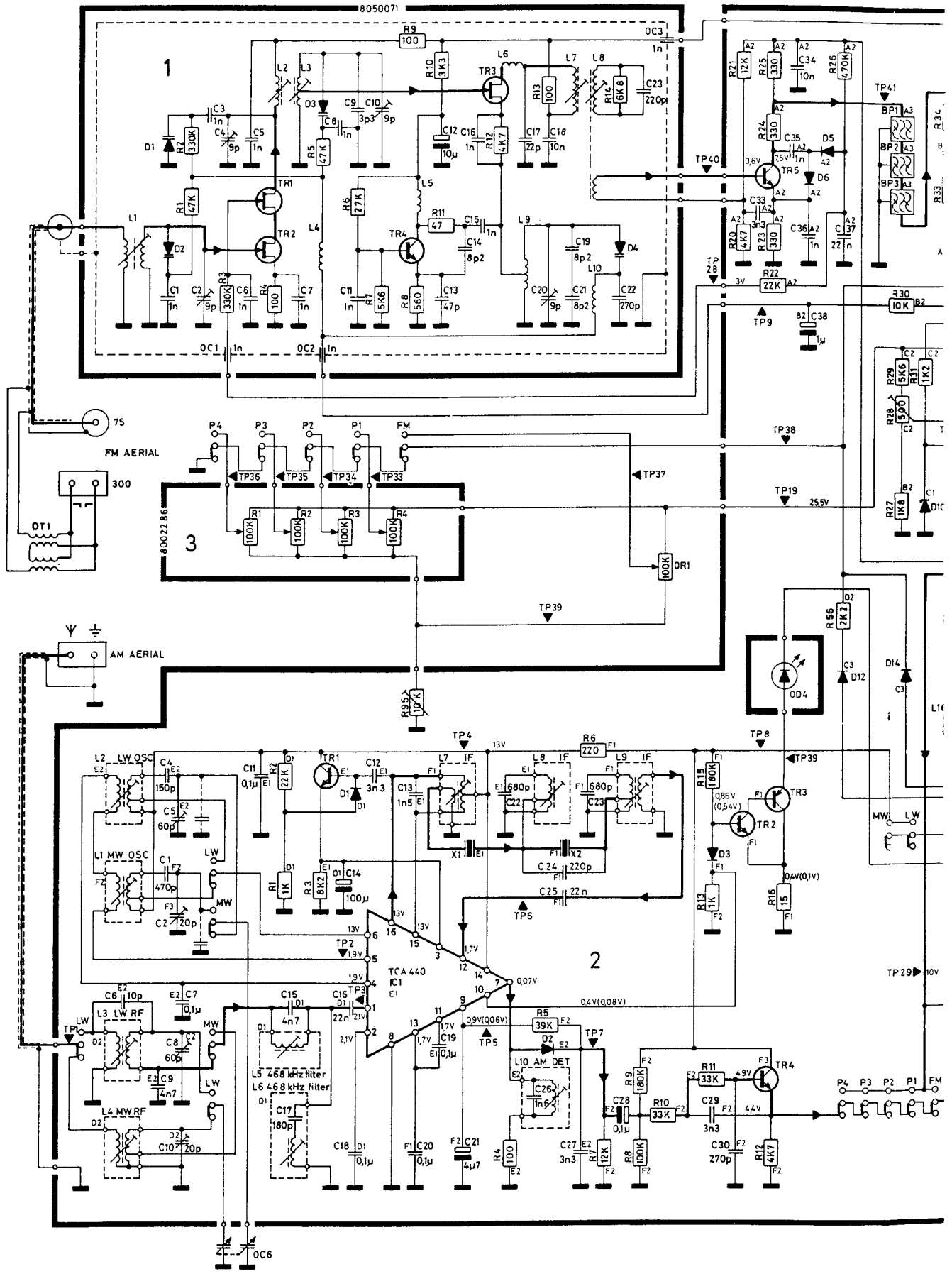
Corrections

7TR1: 8320344
Douille 3 pol. PC4: 7220131
Page 8-9: Pos. 13 2034215 vis
Page 8-12: Pos. 74 3017012 roue courbé

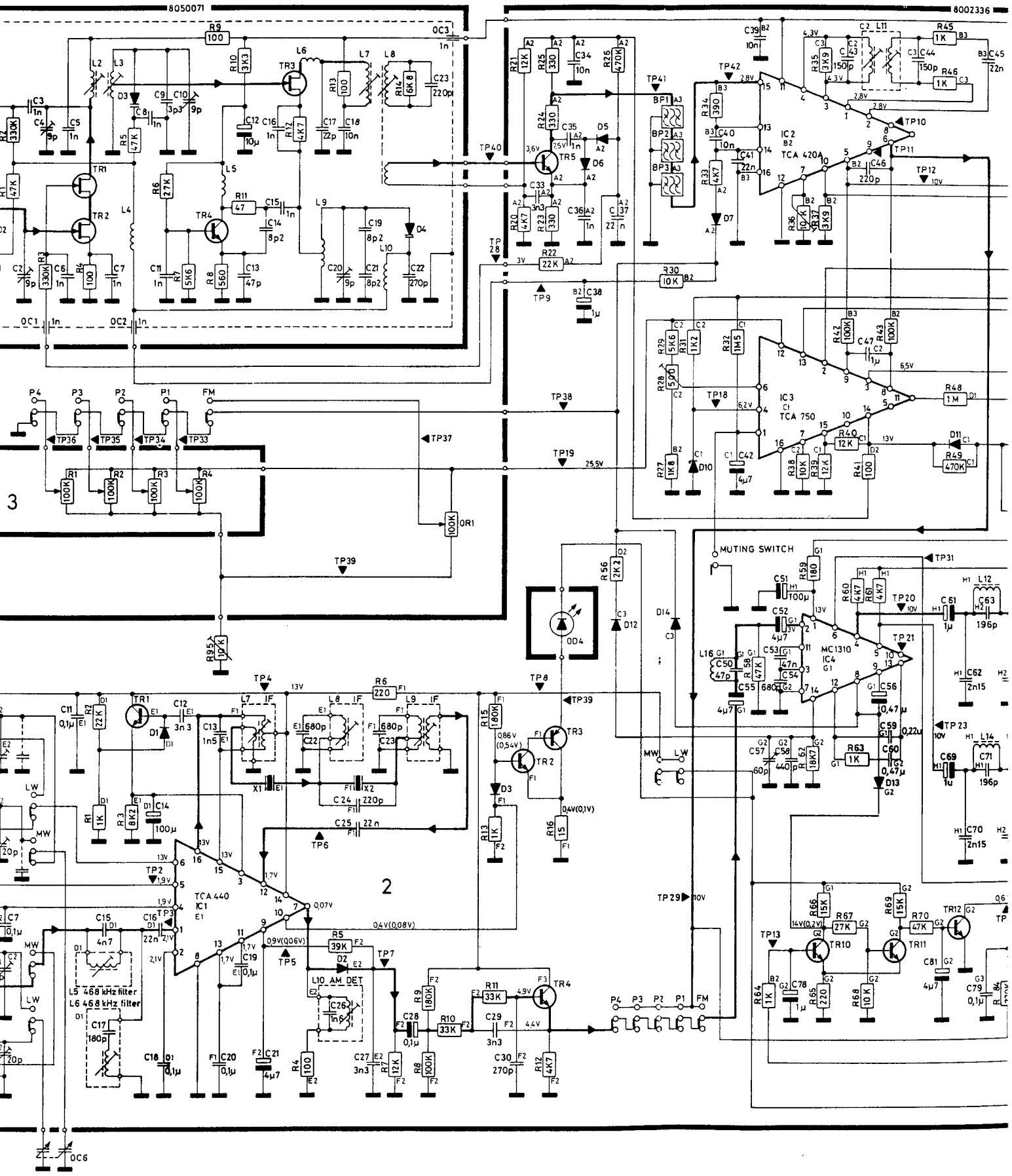
Suppléments

6TR100/200 8320365
6D10 8300208
6D11

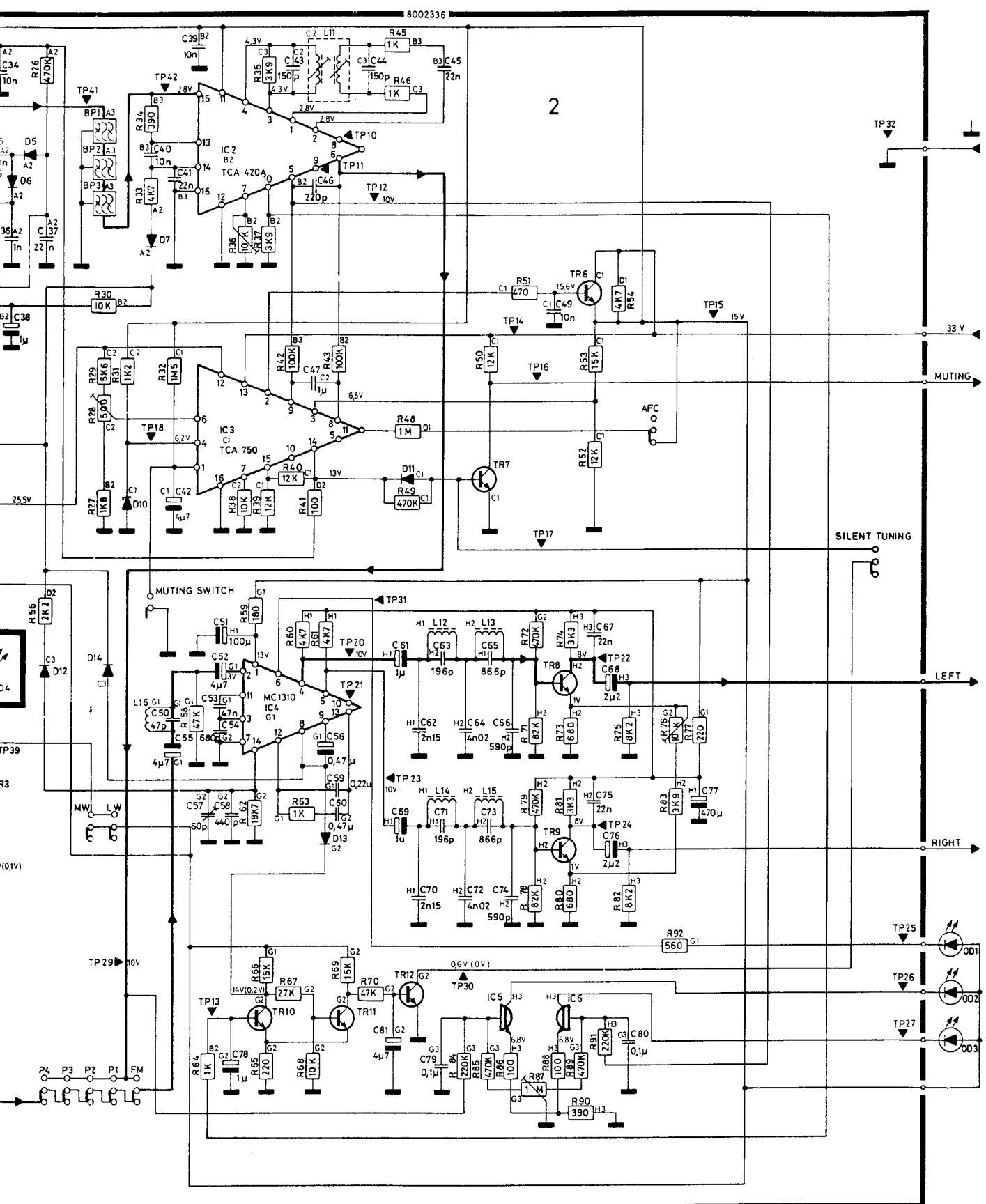
60 Hz Kit Beocenter 4600: 8410008



Signalvej vist for henholdsvis AM (stilling LW), FM og for LF venstre kanal./ Signalweg für bzw. AM (Stellung LW), FM und NF linken

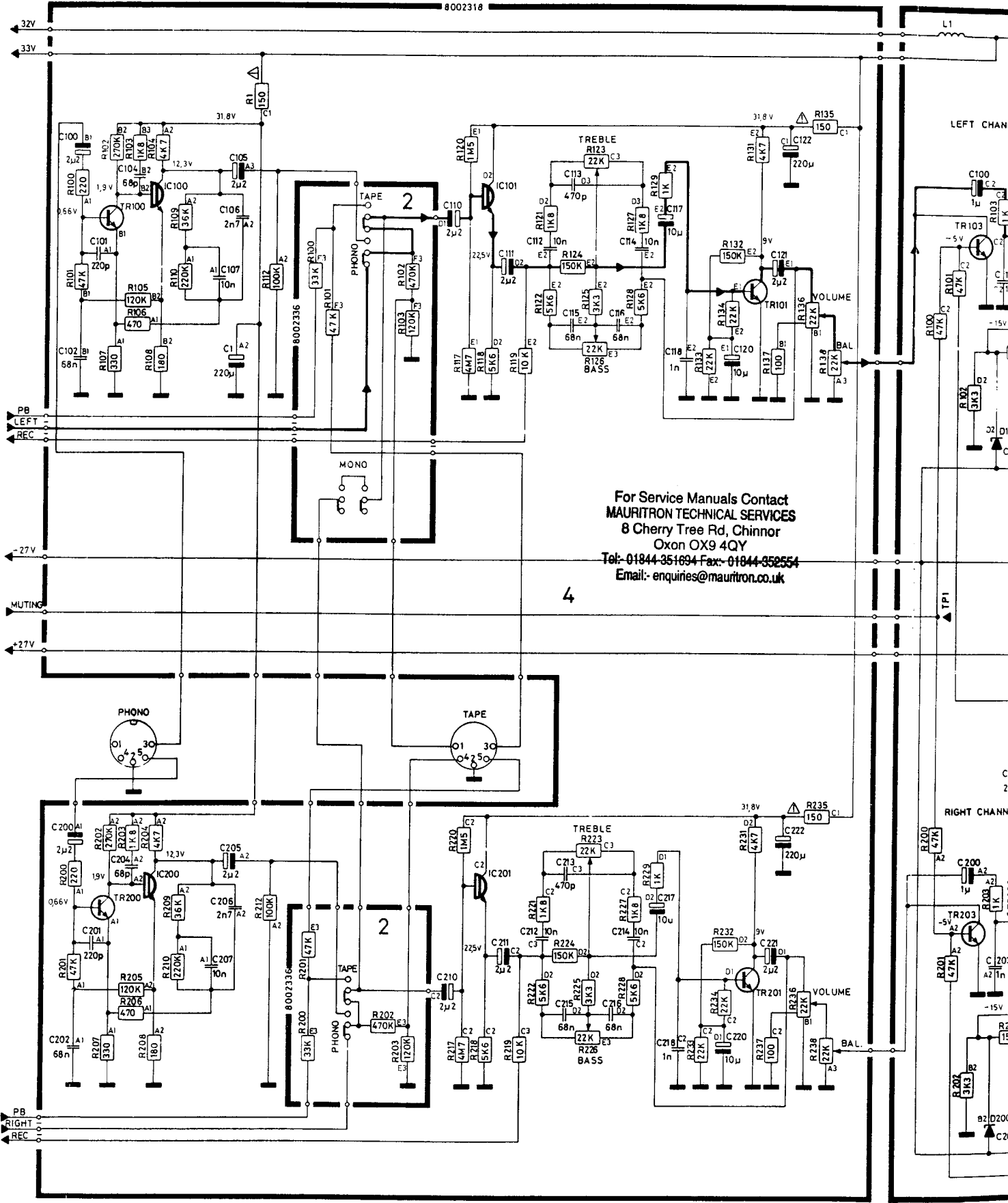


M (still LW), FM og for LF venstre kanal./ Signalweg für bzw. AM (Stellung LW), FM und NF linken Kanal gezeigt./ Signal path is shown for AM

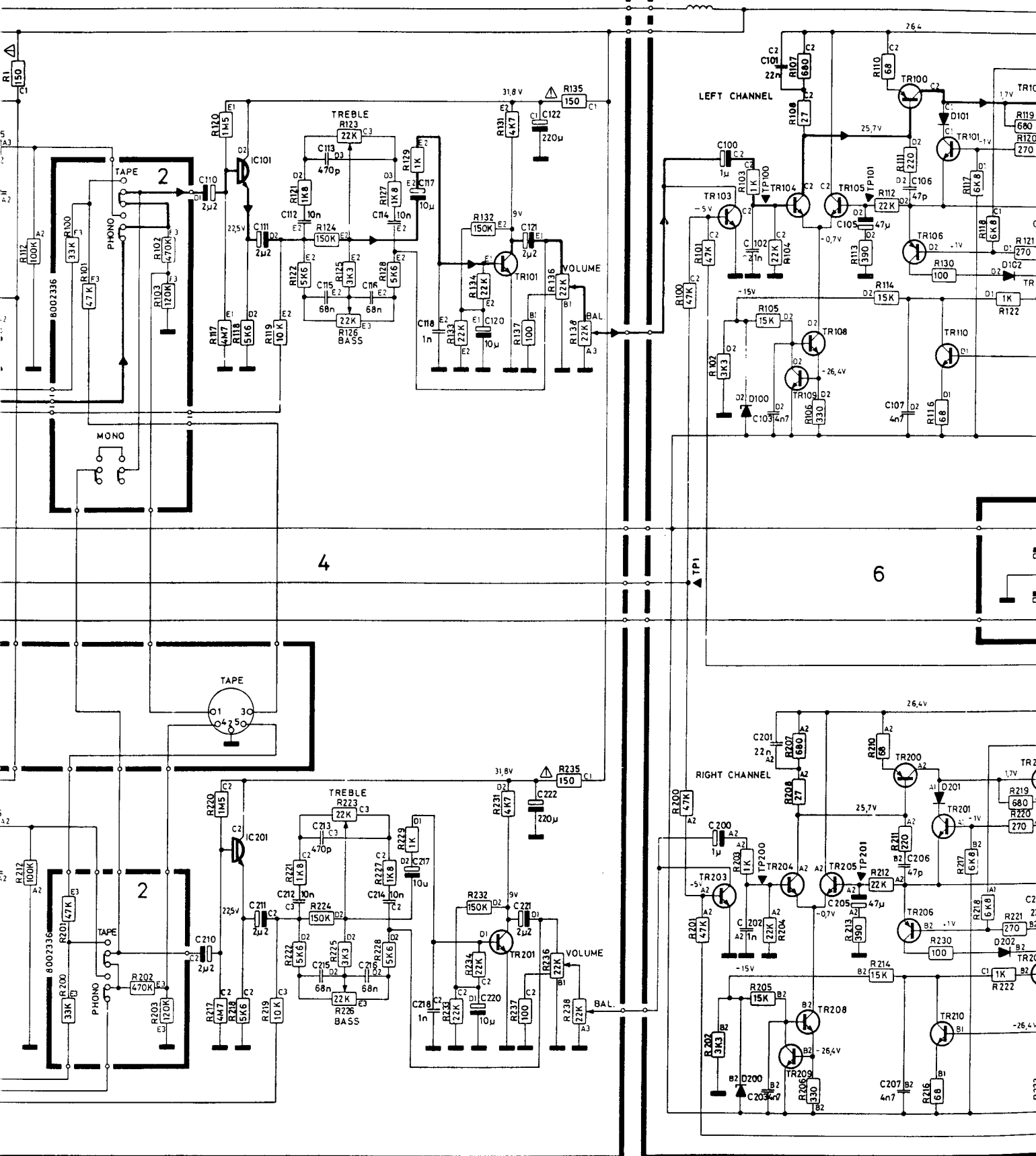


FM und NF linken Kanal gezeigt./ Signal path is shown for AM (position LW), FM and for LF left channel.

8002318



For Service Manuals Contact
MAURITRON TECHNICAL SERVICES
 8 Cherry Tree Rd, Chinnor
 Oxon OX9 4QY
 Tel: 01844 351894 Fax: 01844 352554
 Email: enquiries@mauritron.co.uk



8002301

