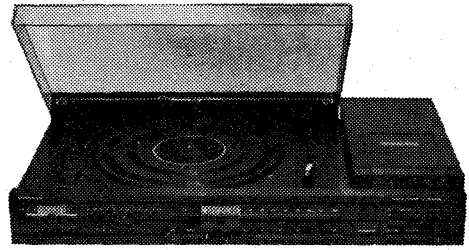


Bang & Olufsen



BEOCENTER 3600

TYPE 2611



INTRODUCTION

The Beocenter 3600 is the most recent addition to the Bang & Olufsen series of combination music systems.

The radio section and record player are identical with the Beocenter 1800 type 2610 whilst the cassette section has several features in common with the Beocord 1100 type 2612.

This service manual describes those circuits and individual components which are new in the Beocenter 3600. Otherwise reference is made to the respective section of the Beocenter 1800 and Beocord 1100 service manuals.

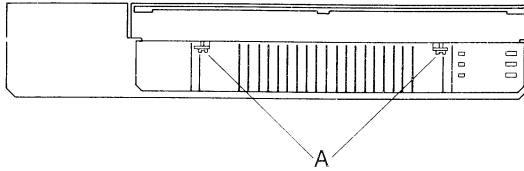
CONTENTS	PAGE
Technical data	2
Disassembly	3
References to adjustments	4
Mechanical adjustment	4
Electrical adjustment	5
Electrical description	7
Mechanical parts list	8
Measuring conditions - radio	12
Diagram 1	13
Diagram 2	14
Transistor list for diagrams 1 and 2	15
Placing of components - cassette recorder	16
Diagram 3	17
Electrical parts list - cassette recorder	18

TECHNICAL DATA	BEOCENTER 3600
TYPE no.	2611
AMPLIFIER	
Power output at specified	
distortion 1000 Hz RMS	2 x 22 watts/4 ohms 2 x 19 watts/8 ohms
Music power	2 x 40 watts/4 ohms 2 x 25 watts/8 ohms
Speaker impedance	4 ohms
Harmonic distortion:	
1000 Hz 50 mW DIN 45 500	< 0.1%
DIN 45 500 40 - 12.500 Hz	< 0,3%
Intermodulation DIN 45 500	< 1%
Frequency range ± 1.5 dB DiN 45 500	20 - 30.000 Hz
Power bandwidth 1% distortion	10 - 35.000 Hz
Damping factor 1000 Hz DIN 45 500	> 12
Pickup low impedance	2.5 mV/47 Kohms
2 channel linear	60 mV/47 Kohms
Signal-to-noise ratio DIN 45 500:	
50 mW pickup low impedance	> 50 dB
50 mW high impedance	> 60 dB
Channel separation 1000 Hz 45 500	> 55 dB
250 - 10.000 Hz	> 45 dB
Tape	25 mV/100 Kohms
Headphones	10V/200 ohms
Bass control at 40 Hz	± 17 dB
Treble control at 12.500 Hz	± 14 dB
FM tuner	
Range	87.5 - 108 MHz
Sensitivity stereo 46 dB	30 μ V/75 ohms
Frequency range ± 1.5 dB DIN 45 500	20 - 15.000 Hz ± 1.5 dB
Harmonic distortion DIN 45 500	< 0.6%
Stereo channel separation 1000 Hz	> 30 dB
Pilot suppression 19 kHz	> 35 dB
RECORD-PLAYER	
Speeds	33 - 45 rpm
Pickup cartridge	MMC 3000
Stylus	Spherical diamond
Radius of curvature	15 μ m
Frequency range	16 - 25.000 Hz
Recommended stylus pressure	1.2 gram
Compliance	25 x 10 ⁻⁶ cm/dyn
Effective tipmass	0.5 mg
Automatic pickup movement	Yes
Automatic speed selection	Yes
Wow and flutter, DIN	< $\pm 0.12\%$
Wow and flutter, WRMS	< $\pm 0.06\%$
Rumble DIN unweighted	> 37 dB
Rumble DIN weighted	> 60 dB
Speed deviation	< 0.1%
Speed control range	> 3%
Dial for speed	Stroboscope 120 mm
Stylus pressure range	0 - 2.5 gram
Antiskating	Yes
Motor	Asynchronous
Drive system	Idler wheel and belt
Turntable	30 cm 1 kg
Dust cover	Hinged and detachable
TAPERECORDER	
Compact Cassette	C60 - C90
Tape head	Super permalloy
Dolby NR	Yes
Iron oxide tape	Yes
Chromoum dioxide tape	Yes
Indicator system	Light emitting diodes
Stop at end of tape	Yes
Wow and flutter, DIN	< $\pm 0.3\%$
Speed deviation	< $\pm 1\%$
Fast forward and rewind	90 sec.
Frequency range DIN chrom.	20 - 13.000 Hz
Signal-to-noise ratio chrom.	> 53 dB
With microphone	75 μ V/10 Kohms
with Dolby chrom.	> 61 dB
Erasure	> 74 dB
Power supply	110 - 130 - 220 - 240 volts
Frequency	50 Hz
Power consumption	20 - 170 watts
Dimensions W x H x D	66 x 13.6 x 35 cm
Weight	16.9 kg

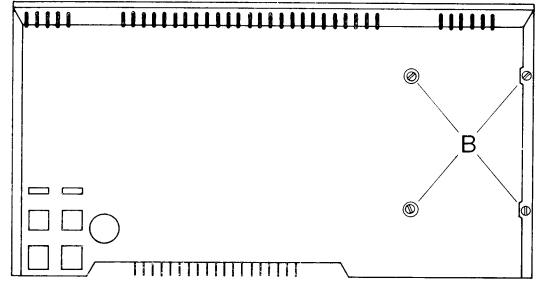
Subject to change without notice

DISASSEMBLY/ZERLEGUNG

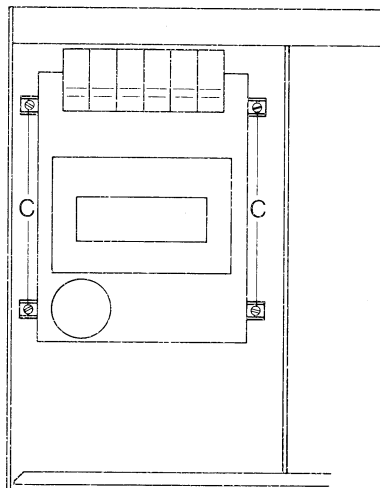
Dismounting of record player
Abmontierung von Grammophonwerk



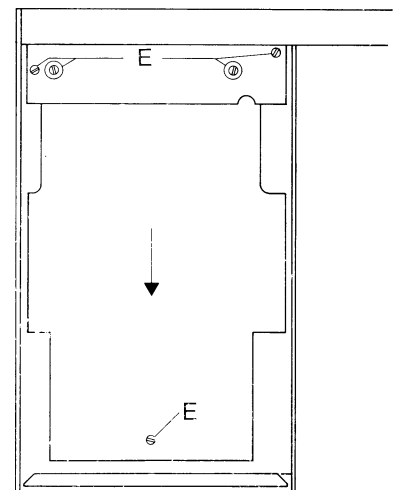
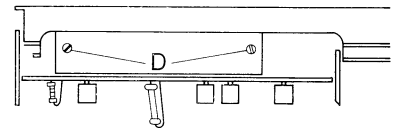
Dismounting of cassette cover
Abmontierung von Kassettendeckel



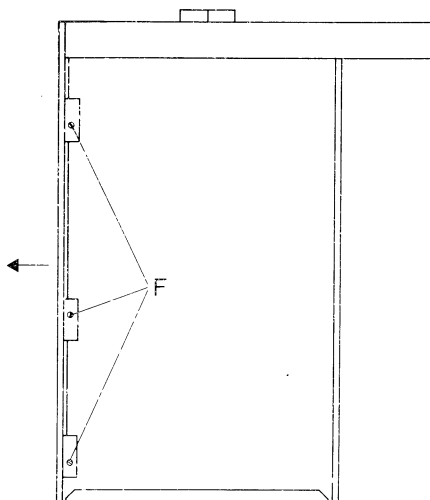
Dismounting of tape deck
Abmontierung von Kassettenwerk



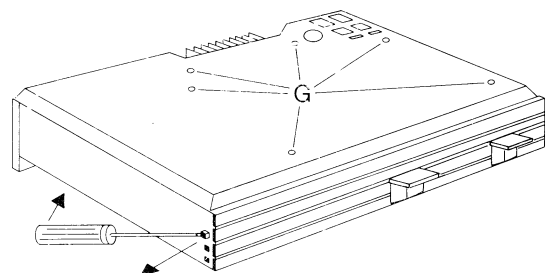
Dismounting of PC for cassette recorder
Abmontierung von Printplatte für Kassettengerät



Dismounting of cabinet
Abmontierung von Kabinett



Dismounting of bottom
Abmontierung von Boden

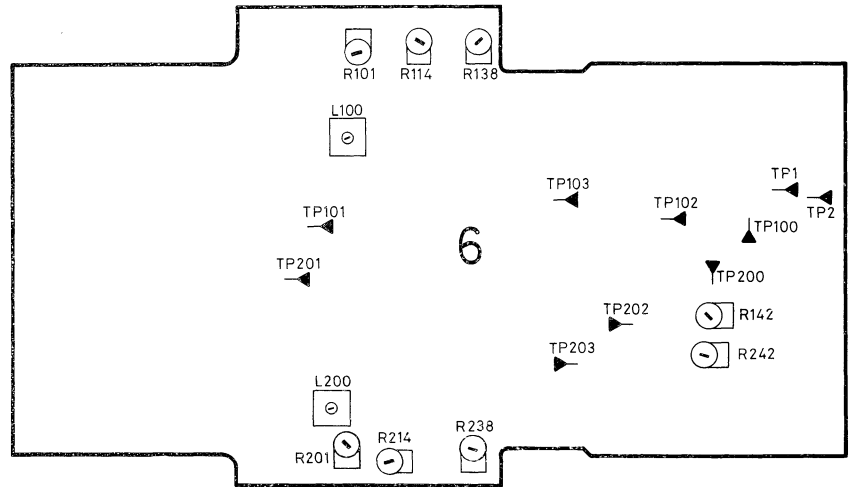


ELECTRICAL ADJUSTMENTS

TAPE RECORDER

Non-bracketed references apply to left channel; bracketed ones apply to right channel.

Azimuth



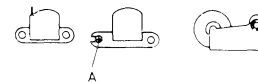
Demagnetise sound head and erase head.

Connect AF vacuum-tube voltmeter at 6TP100 (6TP200).

Insert azimuth tape 6780036.

Adjust screw A for max. response in both channel and identical output for left and right channels (mean value).

Lock screw A with glue.



19 kHz filter

Connect tone generator at 6TP1 (6TP2). Set generator to deliver 19 kHz 100 mV.

Set 6R101 (6R201) to mid-scale.

Connect AF vacuum-tube voltmeter at 6TP102 (6TP202).

Adjust 6L100 (6L200) for min. AF vacuum-tube voltmeter reading.

Playback level

Insert Pegel tape (333 Hz), 6780035.

Adjust 6R101 for 720 mV as measured with AF vacuum-tube voltmeter at 6TP100.

Adjust (6R201) for 720 mV as measured at (6TP200).

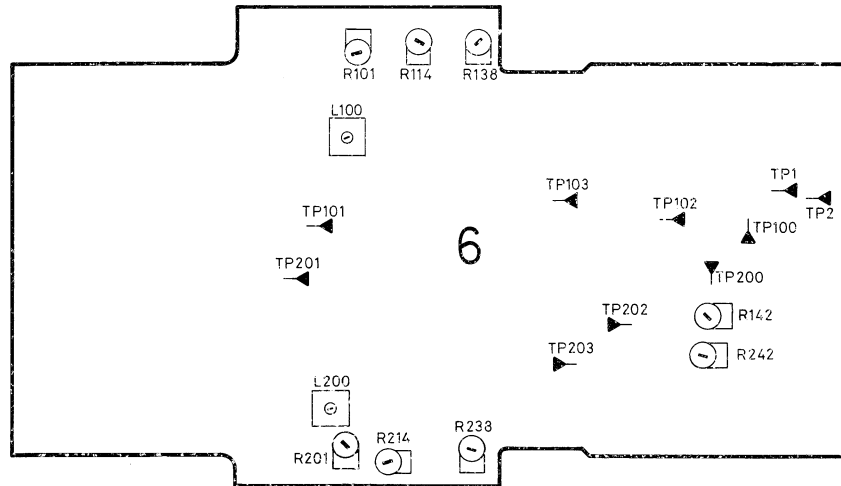
Playback frequency response

Activate CrO₂.

Insert playback frequency tape 6780056 (time constants 70 usec and 3180 usec).

Adjust 6R114 so that 12.5 kHz level is max. 1.5 dB below 250 Hz level as measured with AF vacuum-tube voltmeter at 6TP100 (6R214 at 6TP200).

Indicator and record amplifier

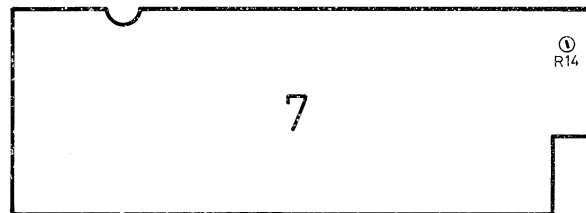


Stop erase generator (short-circuit 6C7).

Set tone generator to deliver 333 Hz 100 mV as measured with AF vacuum-tube voltmeter at 6TP1.

Connect AF vacuum-tube voltmeter at 6TP103.

Set record potentiometer so that 3V is measured at 6TP103.



Adjust 7R14 so that first red LED lights.

Back off tone generator 20 dB.

Read and note voltage at 6TP103.

Set tone generator to deliver 12.5 kHz.

Adjust 6R138 so that 12.5 kHz level at 6TP103 is 14 dB higher than 333 Hz level.

Set tone generator to deliver 333 Hz 100 mV as measured with AF vacuum-tube voltmeter at (6TP2).

Connect AF vacuum-tube voltmeter at (6TP203).

Set record potentiometer so that 3V is measured at (6TP203).

Back off tone generator 20 dB.

Read and note voltage at (6TP203).

Set tone generator to deliver 12.5 kHz.

Adjust (6R238) so that 12.5 kHz level at (6TP203) is 14 dB higher than 333 Hz level.

Remove short-circuit from across 6C7.

Bias

Set tone generator to deliver 333 Hz 100 mV as measured with AF vacuum-tube voltmeter at 6TP1 (6TP2).

Connect AF vacuum-tube voltmeter at 6TP100 (6TP200).

Insert standard tape 6780040.

Adjust record potentiometer so that first red LED only just lights.

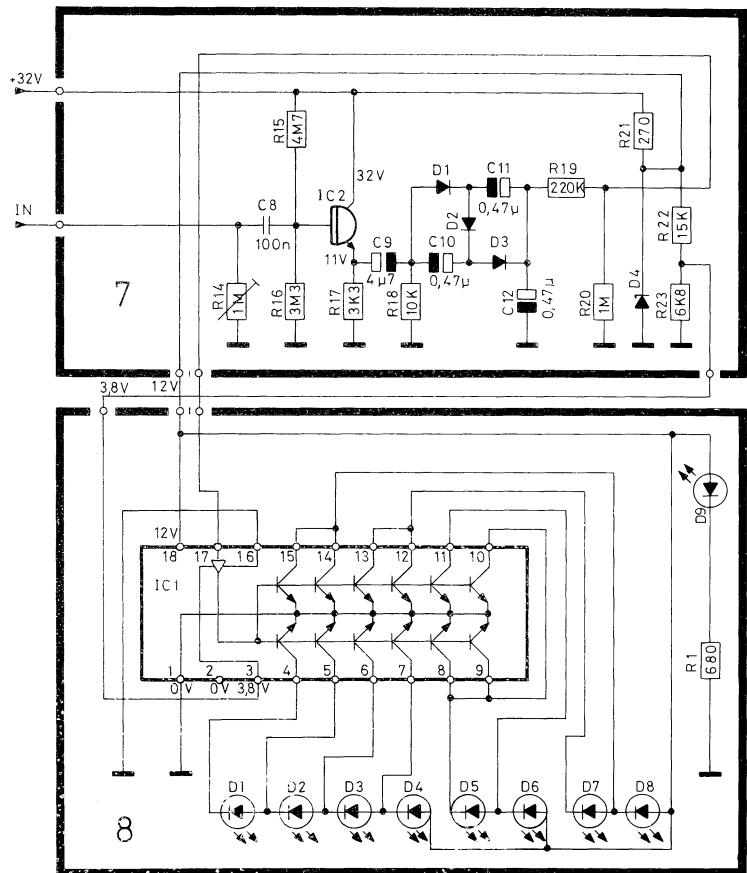
Back off tone generator 20 dB.

Record and play back 333 Hz and 12.5 kHz. Adjust 6R142 (6R242) so that 12.5 kHz level is 2.5 dB below 333 Hz level.

ELECTRICAL DESCRIPTION

CASSETTE RECORDER

Indicator



The recording level in Beocenter 3600 is indicated by means of light diodes (LED).

The LF signal on the output of the recording amplifier is led to basis of 7IC2 which is coupled as emitter follower. The signal is led to the voltage tripler 7D1, 7D2, 7D3, 7C10, and 7C11. 7C12 is charged to a varying DC voltage, the value of which is directly dependent on the amplitude of the LF signal, and is led to a DC amplifier in 8IC1, pin 17. A reference voltage 3.8 Volts on pin 3 determines the range of variation of the indicator.

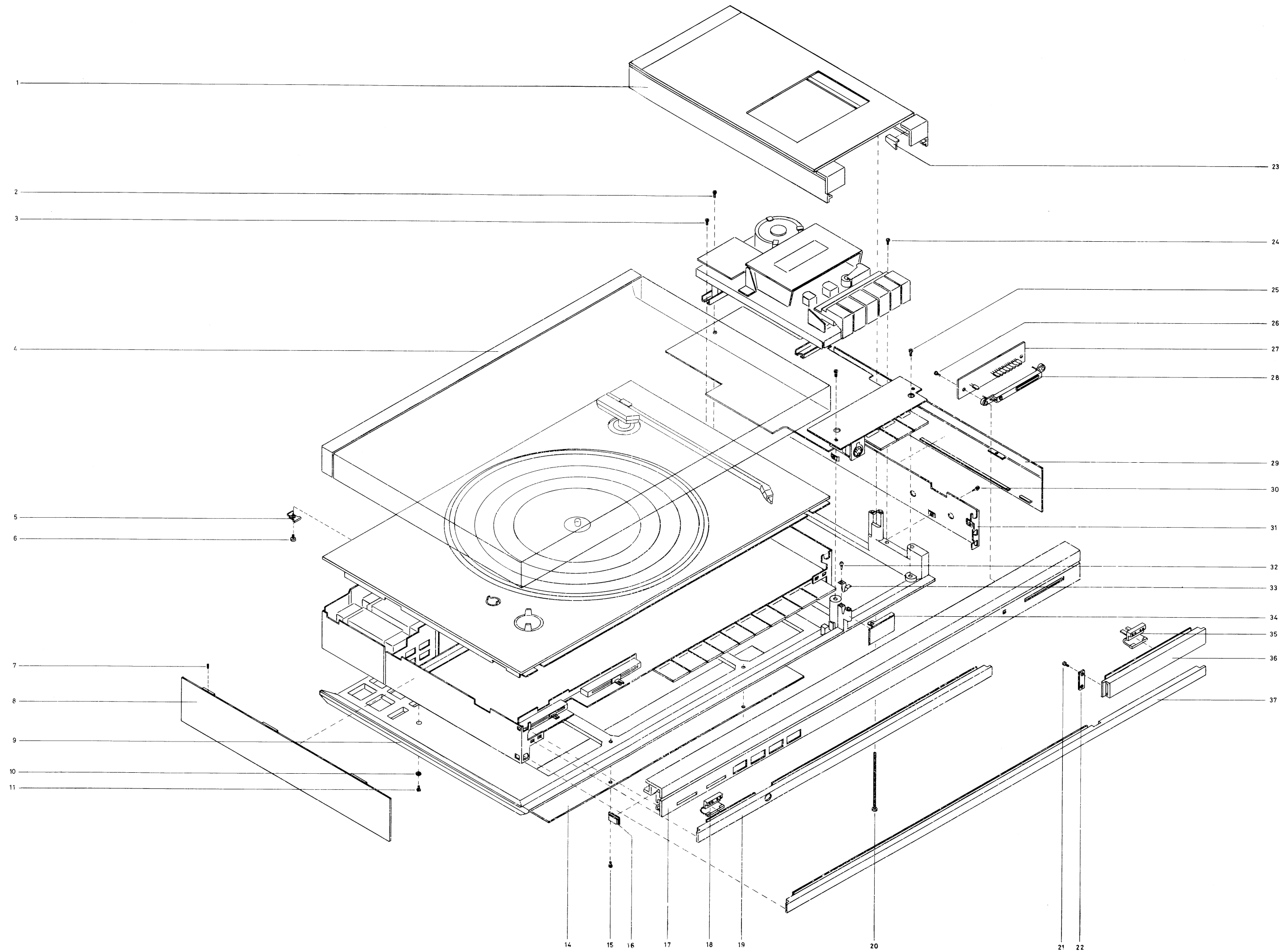
The output of the DC amplifier is led to basis on a number of switch transistors so that the outputs on 8IC1 are short-circuited to chassis at increasing voltage in the order pin 15, 14, 13, etc. I.e., 8D8 is the first green LED to switch on.

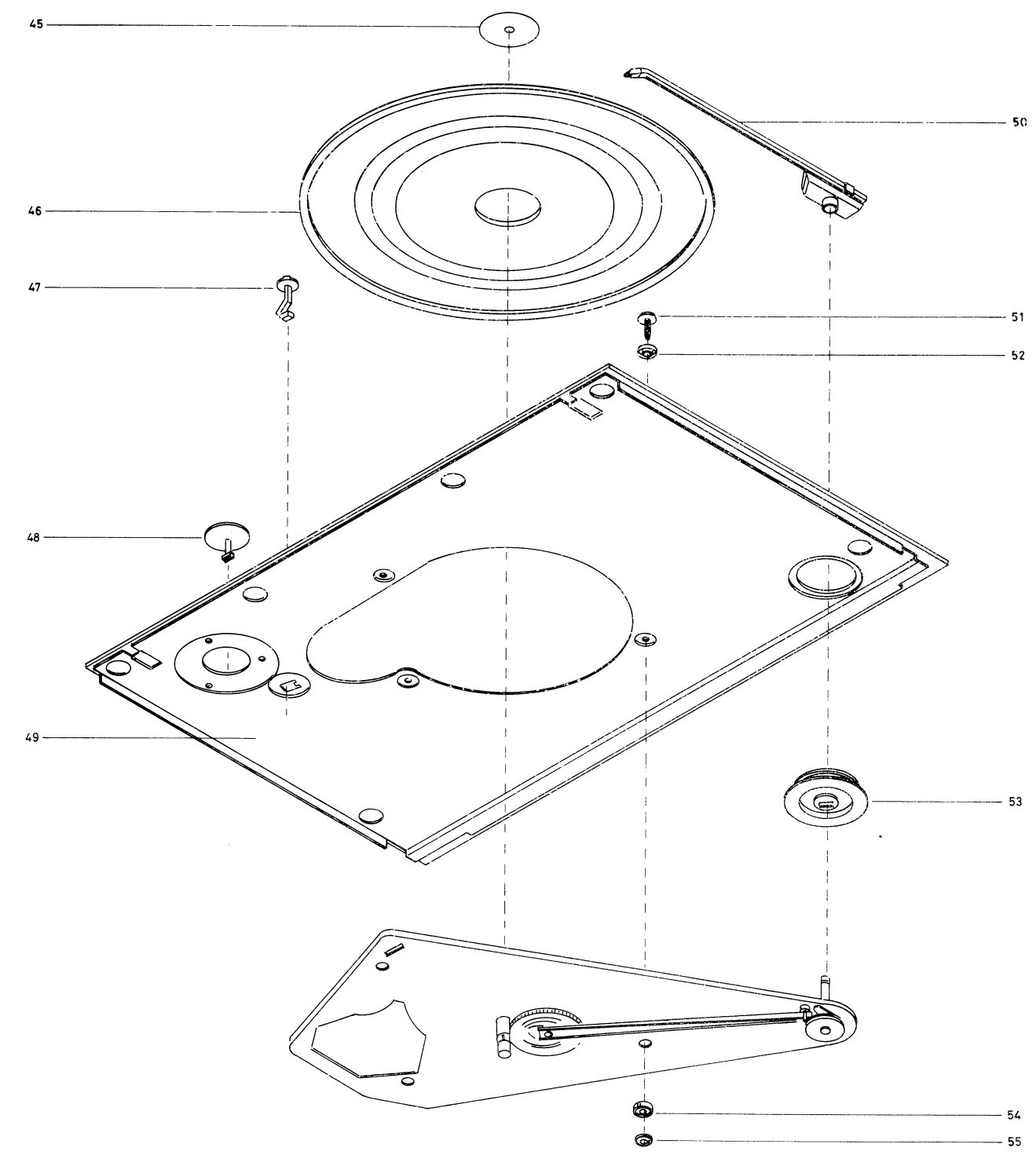
To have the same dial division on the LED indicator as on a VU meter instrument each of 8D5 - 8D8 is connected to two outputs on 8IC1. 8D1 and 8D2 indicate overload. 8IC1 is provided with a constant-current generator so that a short-circuited LED will not damage the IC.

Other circuits of the cassette recorder unit are described in the service manual for Beocord 1100 page 6.

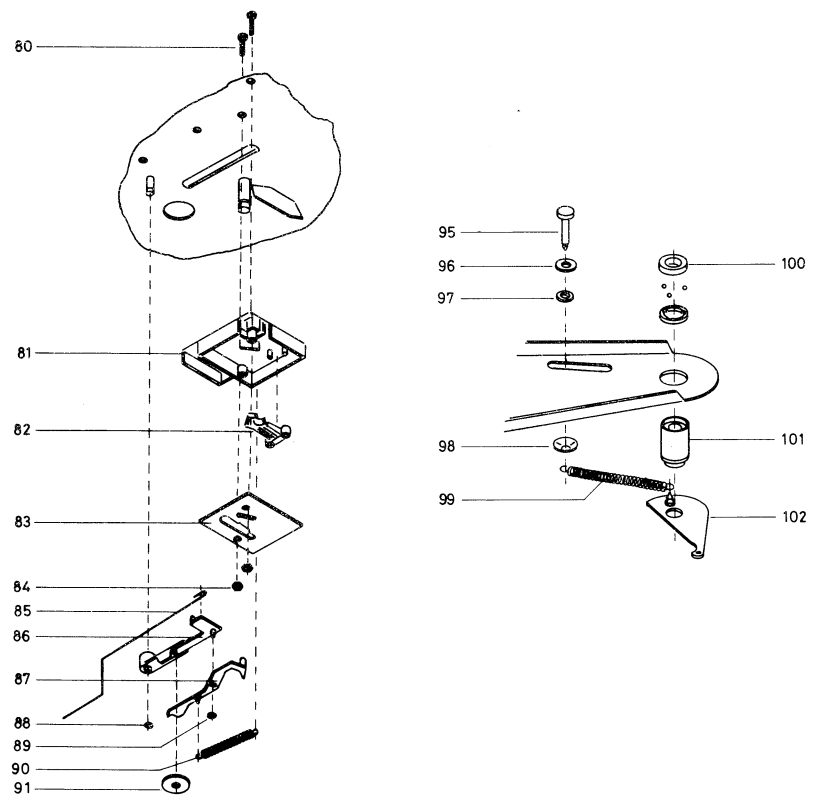
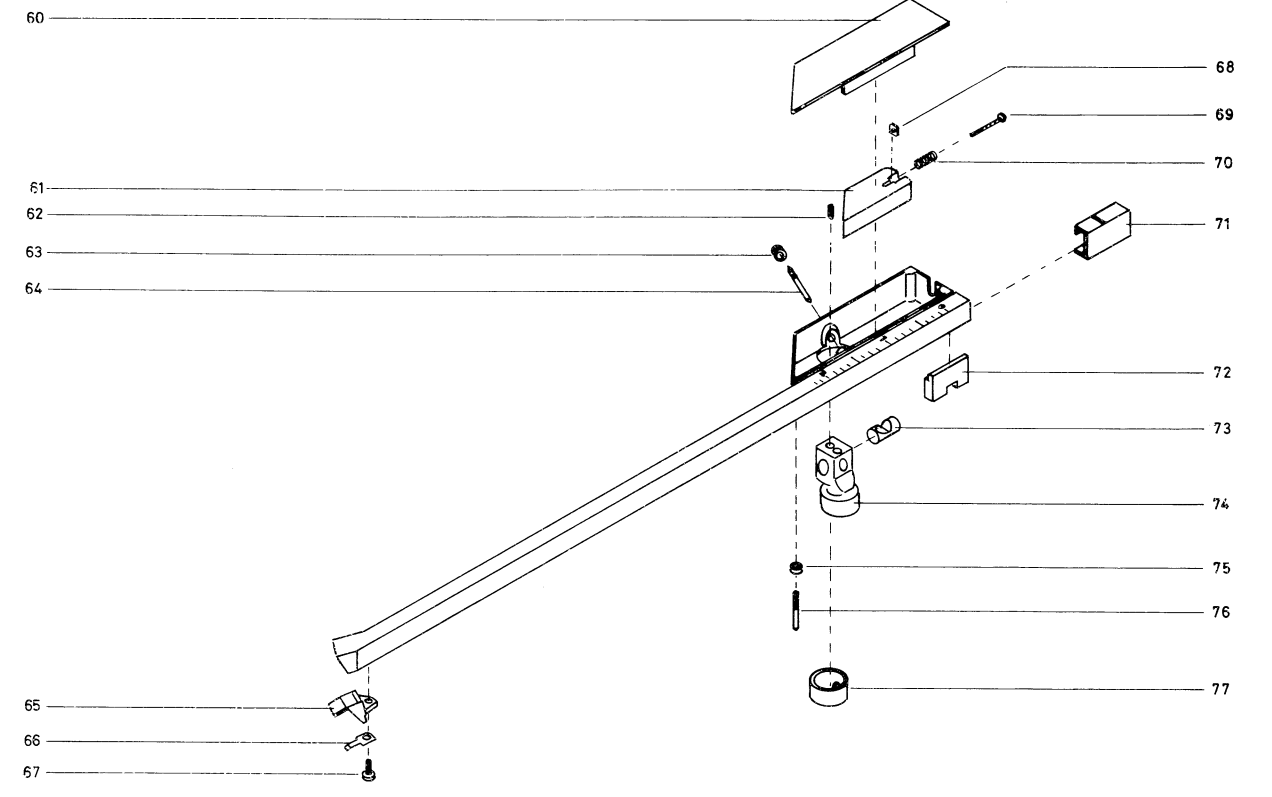
MECHANICAL PARTS LIST

1	2568451	Top moulding	9	3454204	Bottom	26	2038061	Screw AM 3×10 DIN 84
	2560050	Decorative list	10	2622015	Washer	27	8004160	PC unit
2	2038247	Screw AM 3×6 DIN 84	11	2038214	Screw AM 3×8 DIN 84	28	3322045	Cover
3	2038247	Screw AM 3×6 DIN 84	14	3302273	Cover plate	29	3412331	Cabinet, teak
4	3164290	Dust cover, complete	15	2038247	Screw AM 3×6 DIN 84		3412333	Cabinet, rosewood
	3164291	Dust cover, loose	16	3300057	Screw	30	2015006	Screw 9,5×3,5 DIN 7981
	2560053	Decorative list	17	2568316	Front moulding	31	2548128	Bracket
	3010007	Stop for cover	18	3015071	Slide for button	32	2015006	Screw 9,5×3,5 DIN 7981
	2819133	Spring for cover	19	2568240	Front moulding	33	2816140	Spring
5	2640034	Clamp	20	2042026	Screw AM 4×75 DIN 84	34	3164251	Cover
6	2042244	Screw AM 4×6 DIN 84, black	22	2641084	Clamp	35	3015074	Slide for button
7	2070701	Threaded pin M 3×4	23	3300037	Screen	36	2568331	Front moulding
8	3412331	Cabinet teak	24	2038247	Screw AM 3×6 DIN 84	37	2568319	Front moulding
	3412333	Cabinet rosewood	25	2038247	Screw AM 3×6 DIN 84			





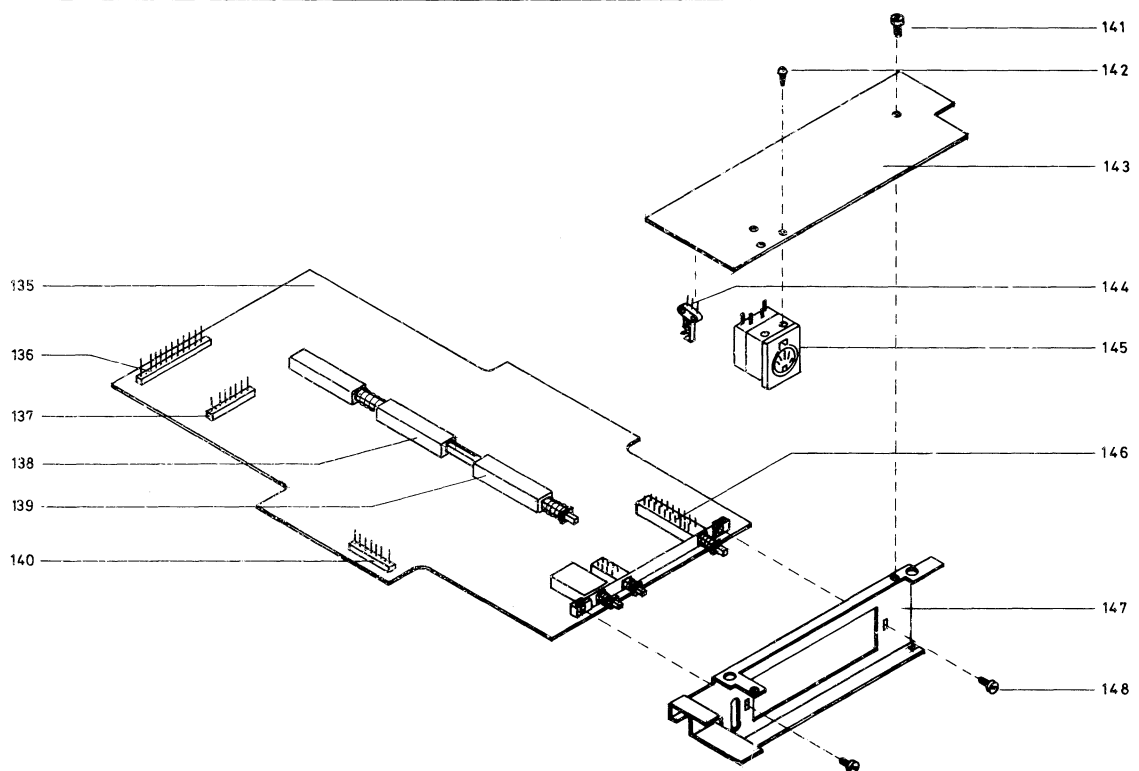
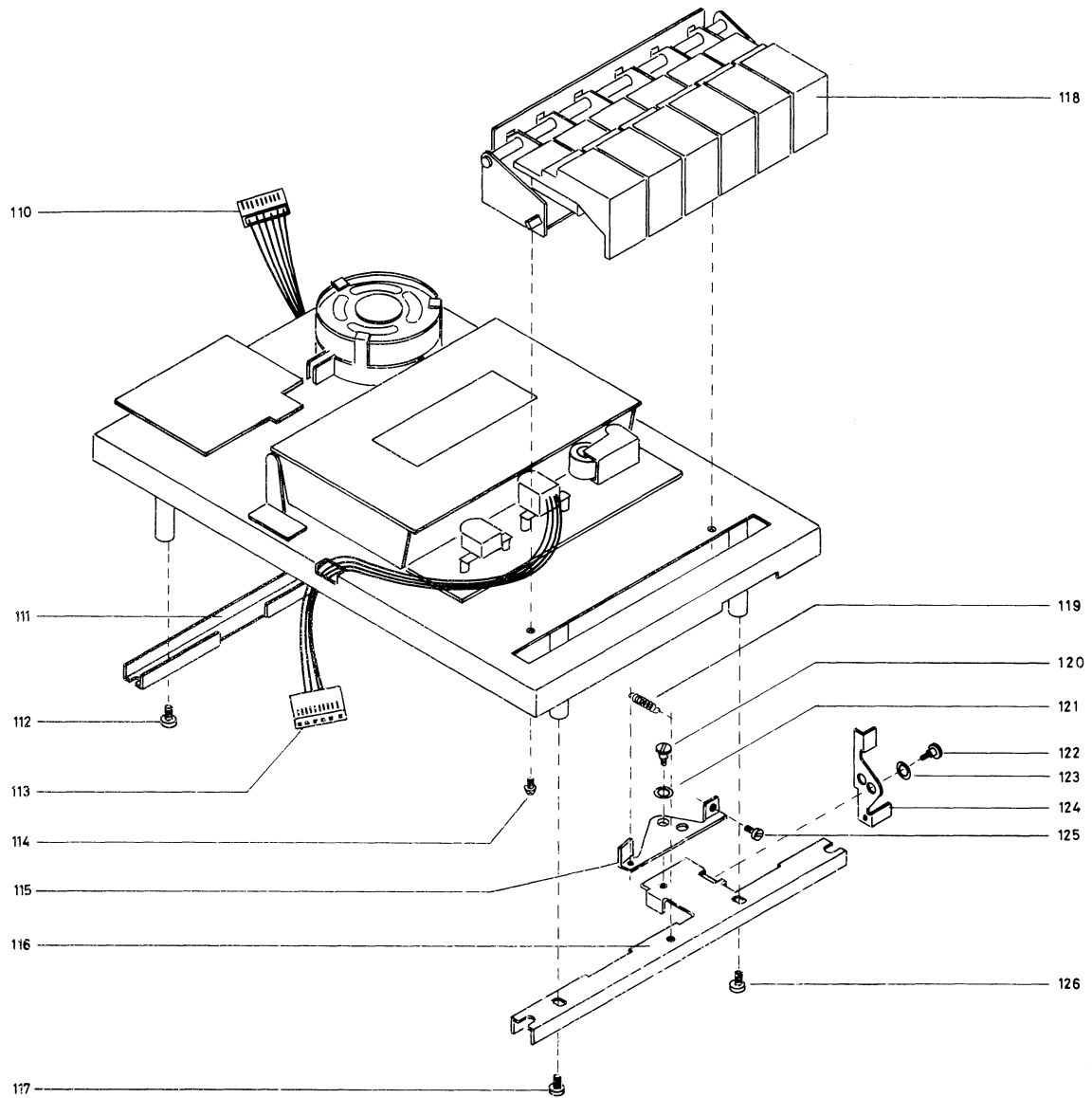
45	2805022	Washer	65	7200037	Socket with leads	87	2853043	Switch arm
46	2726108	Turntable	66	2816143	Frame spring	88	2390002	Locking disc 3.2
47	2770184	Button, speed adjustment	67	2033007	Screw	89	2390001	Locking disc 2.3
48	2775518	Lift button	68	2380068	Nut	90	2819122	Spring
49	3458189	Top plate	69	2034913	Screw	91	2622246	Washer
50	2850090	Pickup arm	70	2812072	Spring	95	2992073	Pin
	8954390	Pickup unit MMC 3000	71	3190064	Pointer	96	2622013	Washer
51	2046204	Screw, transport protection device	72	3342033	Counterweight	97	2620067	Washer
52	2938110	Washer for transport protection device	73	3151137	Holder for shaft	98	2395030	Lock disc.
			74	3152201	Holder for arm	99	2810089	Spring
52	2938110	Washer for transport protection device	75	2938096	Bushing	100	3152224	Washer
			76	2072924	Adjustment screw	101	2938135	Pile bearing
53	2623032	Lifting ring	77	2938126	Bushing	102	2938136	Pick-up arm bearing
54	2938100	Bushing, lock	80	2038222	Screw AM 3×14 DIN 84			Complete
55	2622228	Washer	81	3131121	Switch housing			
60	3162121	Cover	82	7402081	Micro switch			
61	3342034	Counterweight	83	3162095	Cover			
62	2070400	Threaded pin	84	2380011	Nut M3			
63	2905071	Pivot bearing	85	2570056	Arm			
64	2834060	Shaft	86	2853042	Arm			



110	7210129	Socket	119	2810085	Spring
111	2548126	Bracket	120	2038066	Screw
112	2042205	Screw AM 4×6 DIN 84	121	2622265	Washer
113	7210129	Socket	122	2038066	Screw
114	2036008	Screw AM 2,6×5	123	2622265	Washer
115	2542429	Bracket	124	2542456	Bracket
116	2548129	Bracket	125	2038247	AM 3×6 DIN 84
117	2042205	Screw AM 4×6 DIN 84	126	2042205	Screw AM 4×6 DIN 84
118	7410014	Pushbutton unit with buttons	135	8004152	PC unit
	2775519	Button ←	136	7220117	Plug
	2775520	Button →	137	7220116	Plug
	2775521	Button ∨	138	7400130	Switch without spring
	2775522	Button — Eject/Stop	139	7400131	Switch with spring
	2775523	Button — Pause	140	7220116	Plug
	2568351	Button — Record	141	2038206	Screw AM 3×4 DIN 84
			142	2013906	Screw 2,84×6,35 ART 4271
			143	8004151	PC unit
			144	7400152	Switch
			145	7210127	Socket
			146	7400141	Switch complete
			147	2542424	Bracket
			148	2038247	Screw AM 3×6 DIN 84

PARTS NOT SHOWN

3391480	Outer carton
3397274	Foam packing, lid
3397275	Foam packing, lid
3397276	Insertion
3532119	Instruction diagram



**CONDITIONS OF MEASUREMENT
FOR DIAGRAM 1 AND 2**

All DC voltages are measured in proportion to chassis with voltmeter (inner resistance 11 MOhms).

DC voltages are measured with the receiver in position FM and an aerial signal of 500 μ V (1 mV EMK) with pilot signal, volume on 0.

FM sensitivities are measured at Δf 40 kHz, f mod. 1 kHz and 10W output. AF sensitivities are measured at 22W output. Balance, bass, treble on 0, volume on max.

Output loaded with 4 Ohms, input 1 kHz.

Mechanical switches are shown in neutral position.

FM SENSITIVITIES

2TP1 60 μ V (10.7 MHz) through 0.1 μ F, RG 75 Ohms.
2TP2 170 μ V (10.7 MHz) through 0.1 μ F, RG 75 Ohms.
2TP3 600 μ V (10.7 MHz) through 0.1 μ F, RG 75 Ohms.

AF SENSITIVITIES

4TP100 2.5 mV
4TP200 2.5 mV
2TP100 135 mV
2TP200 135 mV
2TP101 150 mV
2TP201 150 mV
5TP100 500 mV
5TP200 500 mV

NO-SIGNAL CURRENT

5TP101 10 mV
5TP201 10 mV or:
25 mA in the collector of 5IC101, 5IC201

**MESSBEDINGUNGEN FÜR
SCHALTBILD 1 UND 2**

Alle DC Spannungen sind in Verhältnis zu Chassis mit Voltmeter (innerer Widerstand 11 MOhm) gemessen.

DC Spannungen sind mit dem Empfänger in Stellung FM und dem Antennensignal von 500 μ F (1 mV EMK) mit Pilotton gemessen, Volume auf 0.

UKW Empfindlichkeiten sind an Δf 40 kHz, f mod. 1 kHz und 10W Ausgang gemessen.

NF Empfindlichkeiten sind an 22W Ausgang gemessen. Balance, Tiefton, Diskant auf 0, Volume auf max. Ausgang mit 4 Ohm, Eingang 1 kHz belastet.

Mechanische Umschalter sind in neutraler Stellung gezeigt.

UKW EMPFINDLICHKEITEN

2TP1 60 μ V (10,7 MHz) durch 0,1 μ F, RG 75 Ohm.
2TP2 170 μ V (10,7 MHz) durch 0,1 μ F, RG 75 Ohm.
2TP3 600 μ V (10,7 MHz) durch 0,1 μ F, RG 75 Ohm.

NF EMPFINDLICHKEITEN

4TP100 2,5 mV
4TP200 2,5 mV
2TP100 135 mV
2TP200 135 mV
2TP101 150 mV
2TP201 150 mV
5TP100 500 mV
5TP200 500 mV

LEERLAUFSTROM

5TP101 10 mV
5TP201 10 mV oder:
25 mA im Kollektor von 5IC101, 5IC201.

DIAGRAM 1

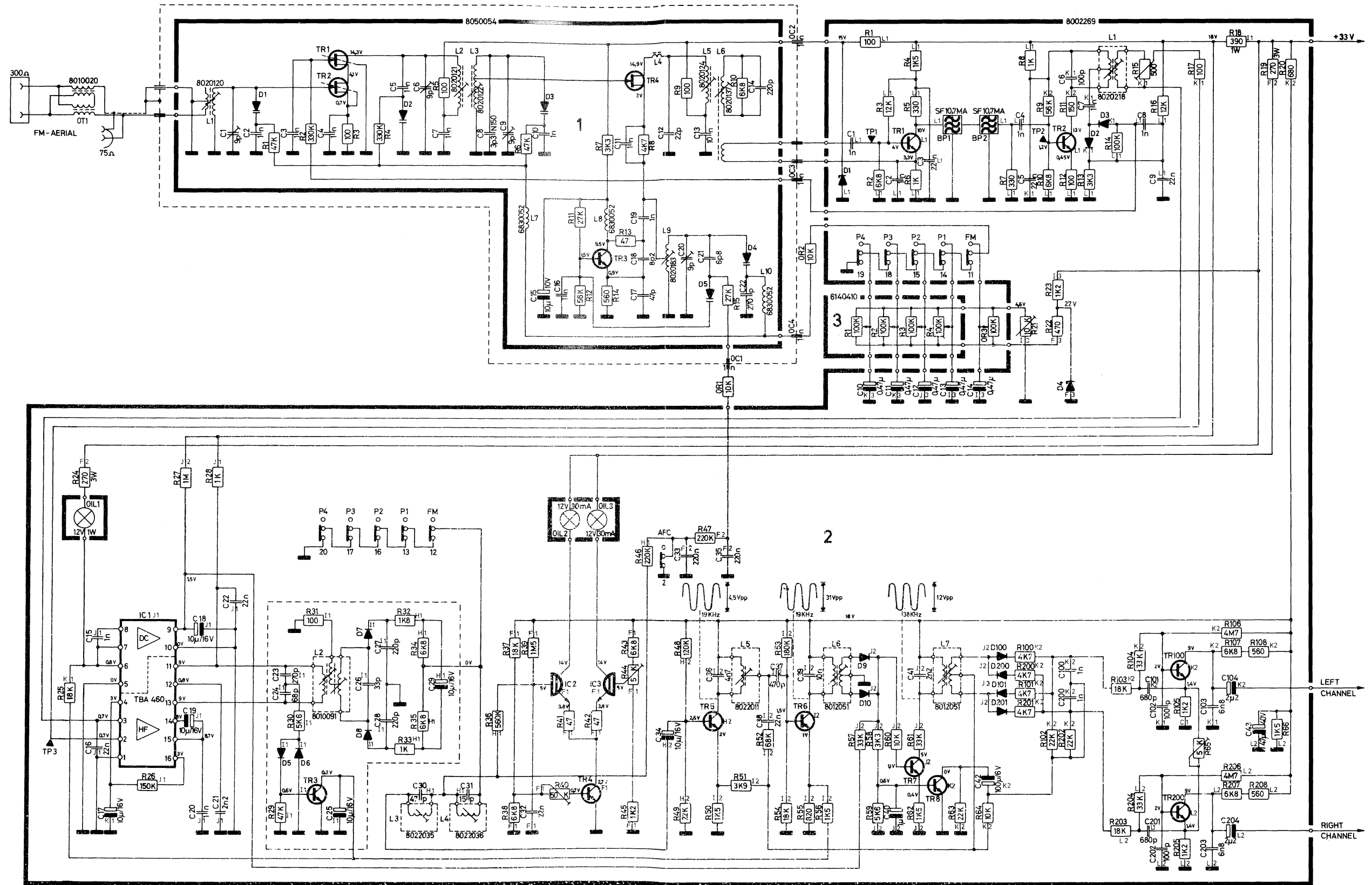
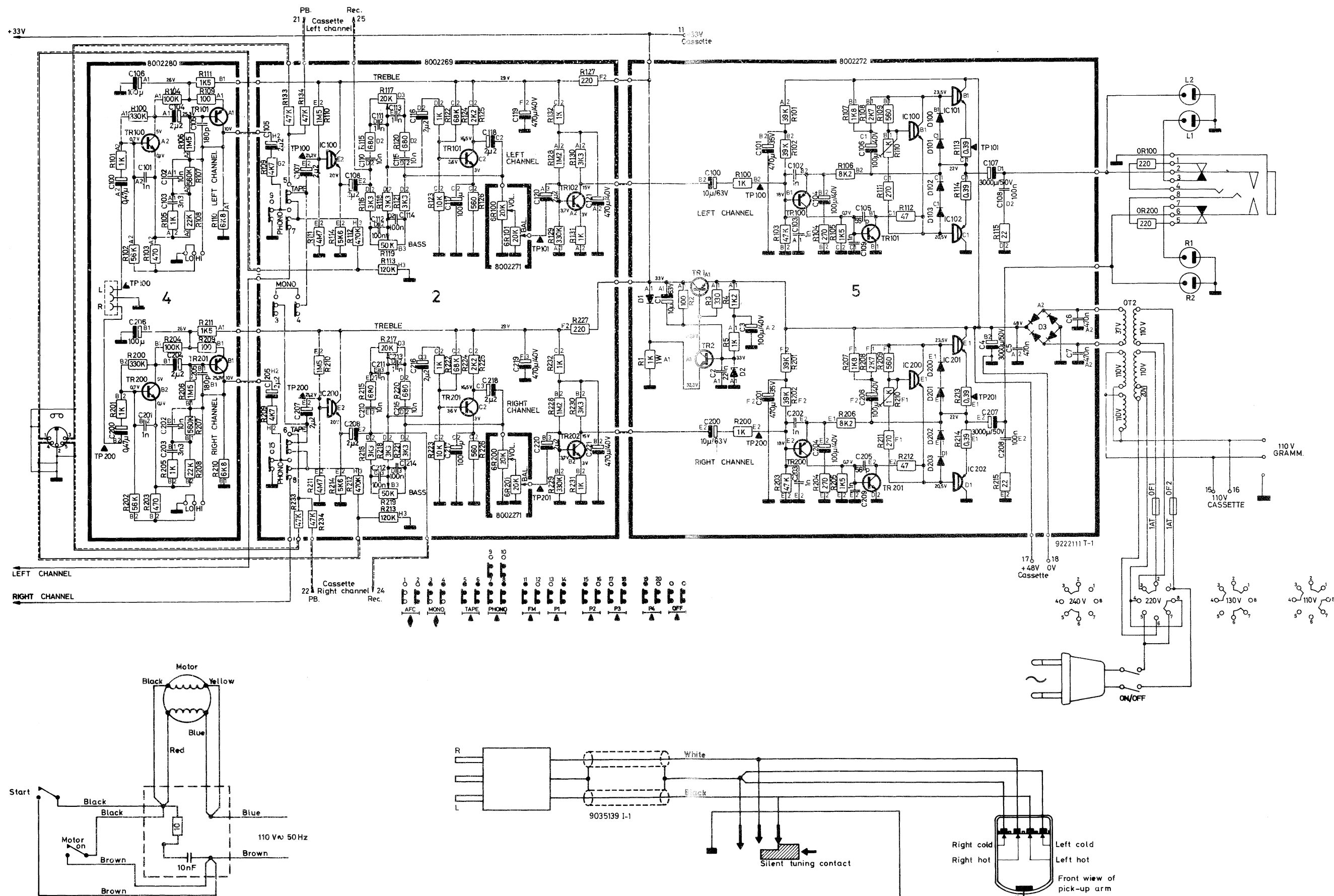


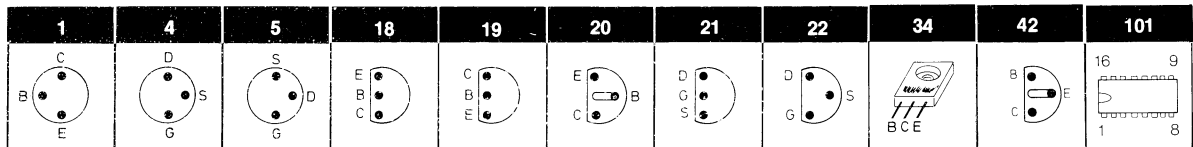
DIAGRAM 2



TRANSISTOR - DIODE - IC LIST FOR DIAGRAM 1 AND 2

1TR1	8320119	8320069	20	BC 559 B	8320112	42	BF 495
1TR2	8320119		20	BC 214 B		42	BF 255
1TR3	8320112		18	BC 309 B			
1TR4	8320136		18	BC 253 B	8320119	4	U1981 E
2TR1	8320089					21	2N 5245
2TR2	8320089	8320089	42	BF 494		21	TIS 88 A
2TR3	8320097		42	BF 254			
2TR4	8320097				8320136	4	U 1981 E
2TR5	8320095	*8320095	20	BC 549B		5	U 1837 E
2TR6-TR8	8320097		20	BC 184 BN		21	2N 5245
2TR100-TR200	8320138					21	3C2
2TR101-TR201	8320095	8320097	20	BC 547 B		22	3C2 P
2TR102-TR202	8320097		18	BC 237 B		21	TIS 88 A
4TR100-TR200	8320095		20	BC 171 B			
4TR101-TR201	8320069		19	BC 317 B	8320138	20	BC 183 B
5TR1	8320269		20	BC 182 B			
5TR2	8320295		1	BC 207 B			
5TR100-TR200	8320069		20	BC 237 B			
5TR101-TR201	8320097						

* SPECIALLY SELECTED SPECIMEN. / *SPEZIELL AUSGESUCHTES EXEMPLAR



2IC1	8340014	101	TBA 460	2IC200	8340028	19	MPSA 13	5IC102	8340023	34	BD 698
						19	SPS 5418				
2IC2	8340054	19	MPSA 13					5IC200	8340028	19	MPSA 13
				5IC100	8340028	19	MPSA 13			19	SPS 5418
2IC3	8340054	19	MPSA 13			19	SPS 5418				
								5IC201	8340027	34	BD 697
2IC100	8340028	19	MPSA 13	5IC101	8340027	34	BD 637				
		19	SPS 5418					5IC202	8340023	34	BD 698

1D1	8300050	BB 103	blue
1D2	8300041	BB 103	green
1D3	8300041	BB 103	green
1D4	8300050	BB 103	blue
1D5	8300032	BA 138	

2D1	8300053	ZPD 15V
		BZX 79 15V

2D2	8300131	1N 4148
2D3	8300131	1N 4148
2D4	8340081	25,7 — 28,3V
2D5-D10	8300024	AA 119
2D100-D201	8300131	1N 4148

5D1	8300023	EM 502
		1N 4002
		1N 4003

5D2	8300199	33V 1W
5D3	8310020	B80C3200/2200
5D100-D203	8300131	1N 4148

8004152 PC6

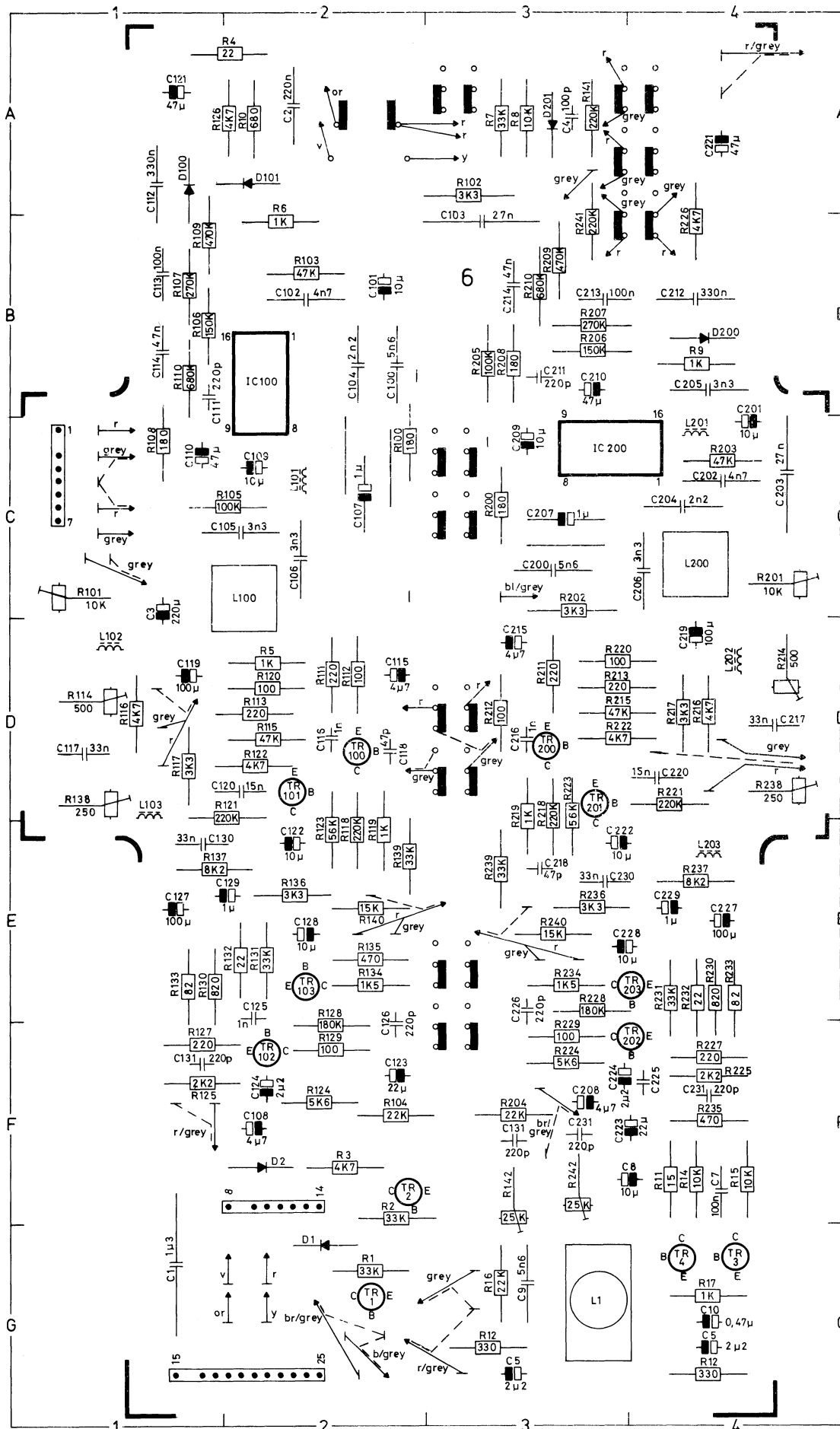
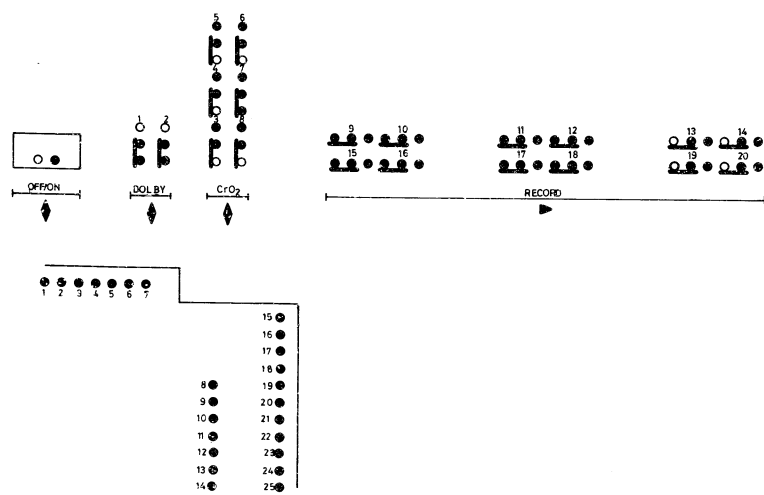
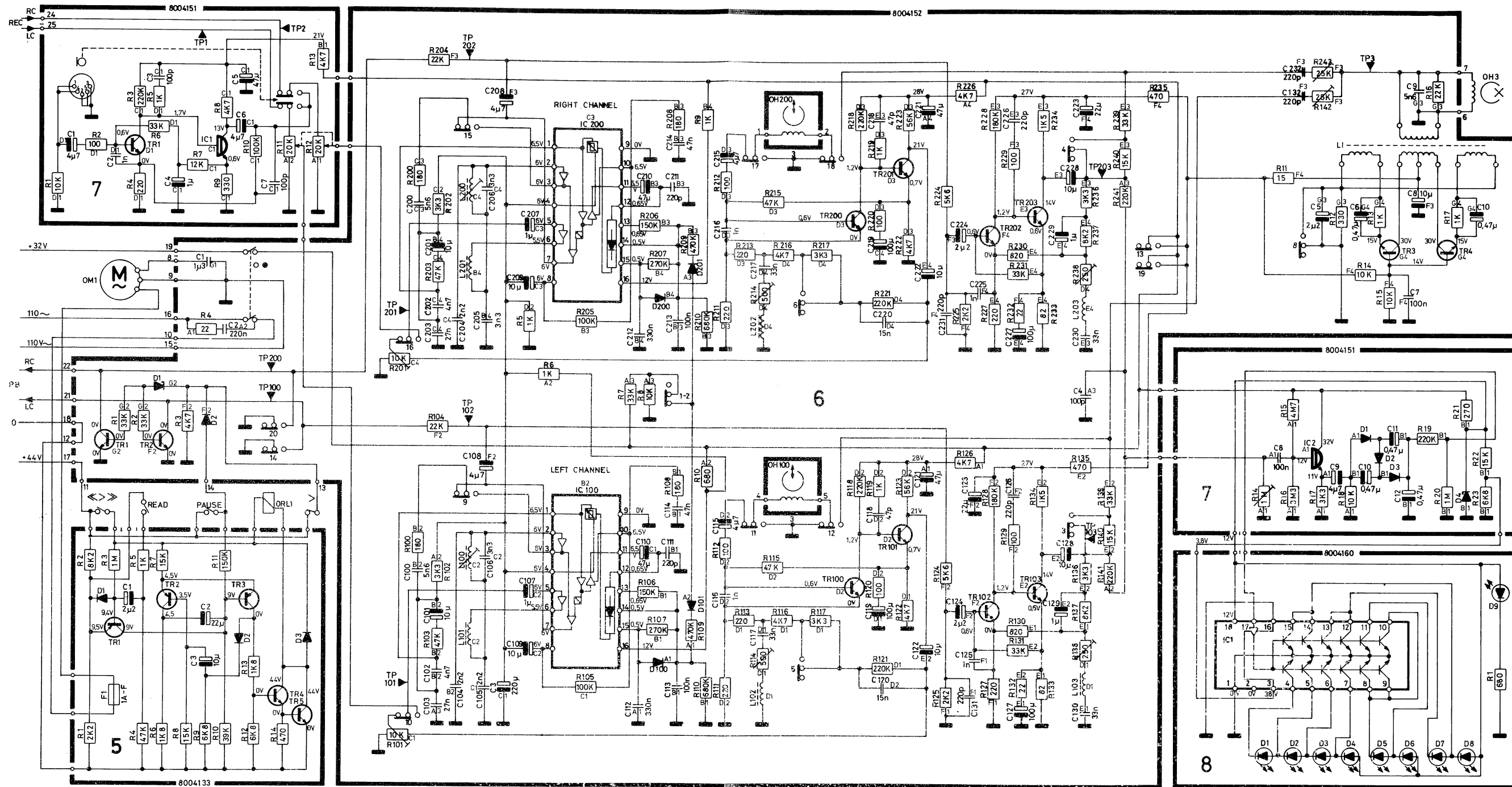


DIAGRAM 3



TEST POINTS DC

The voltages on 6IC100 and 6IC200 have been measured with depressed Dolby-button.

The voltages on 6TR102 - 6TR103, 6TR3 - 6TR4 and 6TR202 - 6TR203 have been measured in position Record.

AC

Playing back from level tape:

TP100 - TP200	700 mV
TP 101 - TP201	40 mV
TP102 - TP202	700 mV

C_rO₂ button depressed and recording button in max.

Recording:

TP3	65V 98 kHz
TP1 - TP2	40 mV
TP101 - TP201	40 mV
TP102 - TP202	580 mV
TP103 - TP203	3V

1 red LED must shine at mono signal

Microphone

Recording:

Microphone input	90 μV
------------------	-------

TESTPUNKTE DC

Die Spannungen auf 6IC100 und 6IC200 sind mit dem Dolby-Knopf eingedrückt gemessen.

Die Spannungen auf 6TR102 - 6TR103, 6TR3 - 6TR4 und 6TR202 - 6TR203 sind in Position Record gemessen.

AC

Von Pegelband wiedergeben:

TP100 - TP200	700 mV
TP101 - TP201	40 mV
TP 102 - TP202	700 mV

C_rO₂ knopf eingedrückt und Aufnahme Knopf in max.

Aufnehmen

TP3	65V 98kHz
TP1 - TP2	40 mV
TP101 - TP201	40 mV
TP102 - TP202	580 mV
TP103 - TP203	3V

Bei Mono-Signal muss 1 rotes LED leuchten

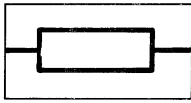
Mikrofon

Aufnehmen:

Mikrophoneingang	90 μV
------------------	-------

ELECTRIC PARTSLIST

8004152 PC 6

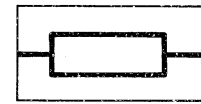


R1	5010075	33 KOhms 5% 1/8W
R2	5010075	33 KOhms 5% 1/8W
R3	5010048	4k7 Ohms 5% 1/8W
R4	5001004	22 Ohms 10% 1/2W
R5	5001028	1 KOhms 5% 1/2W
R6	5001028	1 KOhms 5% 1/2W
R7	5001048	33 KOhms 10% 1/2W
R8	5001042	10 KOhms 10% 1/2W
R9	5001028	1 KOhms 5% 1/2W
R10	5001026	680 Ohms 10% 1/2W
R11	5001002	15 Ohms 10% 1/2W
R12	5001021	330 Ohms 10% 1/2W
R13	5010040	1 KOhms 5% 1/8W
R14	5010059	10 KOhms 5% 1/8W
R15	5010059	10 KOhms 5% 1/8W
R16	5010079	22 KOhms 5% 1/8W
R17	5010040	1 KOhms 5% 1/8W
R100-200	5010362	180 Ohms 5% 1/8W
R101-201	5370152	10 KOhms 20% 0,1W
R102-202	5010265	3k3 Ohms 2% 1/4W
R103-203	5010045	47 KOhms 5% 1/8W
R104-204	5010079	22 KOhms 5% 1/8W
R105-205	5010049	100 KOhms 5% 1/8W
R106-206	5010063	150 KOhms 5% 1/8W
R107-207	5010083	270 KOhms 5% 1/8W
R108-208	5010362	180 Ohms 5% 1/8W
R109-209	5010077	470 KOhms 5% 1/8W
R110-210	5010074	680 KOhms 5% 1/8W
R111-211	5010092	220 Ohms 5% 1/8W
R112-212	5010065	100 Ohms 5% 1/8W
R113-213	5010092	220 Ohms 5% 1/8W
R114-214	5370150	500 Ohms 20% 0,1W
R115-215	5010045	47 KOhms 5% 1/8W
R116-216	5010048	4k7 Ohms 5% 1/8W
R117-217	5010076	3k3 Ohms 5% 1/8W
R118-218	5010120	220 KOhms 5% 1/8W
R119-219	5010040	1 KOhms 5% 1/8W
R120-220	5010065	100 Ohms 5% 1/8W
R121-221	5010120	220 KOhms 5% 1/8W
R122-222	5010048	4k7 Ohms 5% 1/8W
R123-223	5010061	56 KOhms 5% 1/8W
R124-224	5010041	5k6 Ohms 5% 1/8W
R125-225	5010064	2k2 Ohms 5% 1/8W
R126-226	5001038	4k7 Ohms 10% 1/2W
R127-227	5010092	220 Ohms 5% 1/8W
R128-228	5010072	180 KOhms 5% 1/8W
R129-229	5010065	100 Ohms 5% 1/8W
R130-230	5010068	820 Ohms 5% 1/8W
R131-231	5010075	33 KOhms 5% 1/8W
R132-232	5010448	22 Ohms 5% 1/8W
R133-233	5010056	82 Ohms 5% 1/8W
R134-234	5010247	1k5 Ohms 5% 1/8W
R135-235	5001024	470 Ohms 10% 1/2W
R136-236	5010076	3k3 Ohms 5% 1/8W
R137-237	5010154	8k2 Ohms 5% 1/8W
R138-238	5370059	250 Ohms 20% 0,1W
R139-239	5010075	33 KOhms 5% 1/8W
R140-240	5010053	15 KOhms 5% 1/8W
R141-241	5010120	220 KOhms 5% 1/8W
R142-242	5370153	25 KOhms 20% 0,1W

C9	4100049	5n6 1% 63V
C10	4201058	0,47 µ 35V TANT.
C100-200	4100049	5n6 1% 63V
C101-201	4201065	10 µ 63V
C102-202	4100031	4n7 1% 63V
C103-203	4100048	27n 1% 63V
C104-204	4100029	2n2 5% 63V
C105-205	4100029	2n2 5% 63V
C106-206	4100033	3n3 5% 63V
C107-207	4200333	1 µ 63V
C108-208	4201061	4µ7 63V
C109-209	4201065	10 µ 63V
C110-210	4201074	47 µ 40V
C111-211	4010021	220p 10% 100V
C112-212	4130102	330n 20% 250V
C113-213	4130103	100n 20% 250V
C114-214	4130087	47n 10% 250V
C115-215	4201061	4µ7 63V
C116-216	4010027	1n 10% 100V
C117-217	4130088	33n 10% 250V
C118-218	4000057	47p 5% 63V
C119-219	4200098	100 µ 10V
C120-220	4130097	15n 10% 250V
C121-221	4201074	47 µ 40V
C122-222	4201065	10 µ 63V
C123-223	4200100	22 µ 40V
C124-224	4201069	2µ2 35V TANT.
C125-225	4010027	1n 10% 100V
C126-226	4010021	220p 10% 100V
C127-227	4200098	100 µ 10V
C128-228	4201065	10 µ 63V
C129-229	4200325	1 µ 35V TANT.
C130-230	4130088	33n 10% 250V
C131-231	4010021	220p 10% 100V
C132-232	4010021	220 p 10% 100V

C3	4000069	100p 5% 63V
C4	4200298	1 µ 63V
C5	4201074	47 µ 40V
C6	4201061	4µ7 63V
C7	4000069	100p 5% 63V
C8	4130103	100n 20% 250V
C9	4201061	4µ7 63V
C10	4201058	0,47 µ 35V TANT.
C11	4201058	0,47 µ 35V TANT.
C12	4201058	0,47 µ 35V TANT.

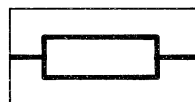
8004160 PC 8



R1	5001026	680 Ohms 10% 1/2W
----	---------	-------------------

L1	8020267
L100-200	8022067
L101-201	8022068
L102-202	8022043
L103-203	8022043

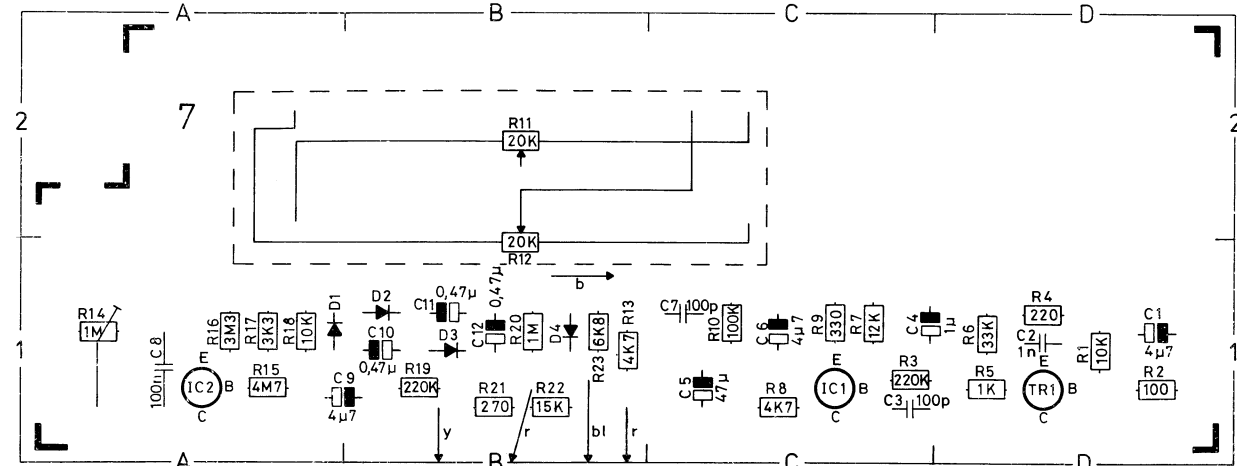
8004151 PC7



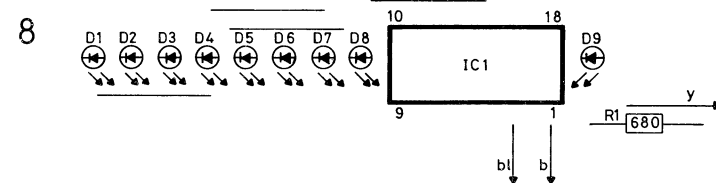
R1	5010059	10 KOhms 5% 1/8W
R2	5010065	100 Ohms 5% 1/8W
R3	5010120	220 KOhms 5% 1/8W
R4	5010092	220 Ohms 5% 1/8W
R5	5010040	1 KOhms 5% 1/8W
R6	5010075	33 KOhms 5% 1/8W
R7	5010046	12 KOhms 5% 1/8W
R8	5010048	4k7 Ohms 5% 1/8W
R9	5010044	330 Ohms 5% 1/8W
R10	5010049	100 KOhms 5% 1/8W
R11/12	5310069	20 KOhms
R13	5001038	4k7 Ohms 10% 1/2W
R14	5370049	1 MOhms 20% 0,1W
R15	5011078	4M7 Ohms 10% 1/4W
R16	5010381	3M3 Ohms 10% 1/4W
R17	5010076	3k3 Ohms 5% 1/8W
R18	5010059	10 KOhms 5% 1/8W
R19	5010120	220 KOhms 5% 1/8W
R20	5010054	1 MOhms 5% 1/8W
R21	5100084	270 Ohms 10% 2W
R22	5010053	15 KOhms 5% 1/8W
R23	5010052	6k8 Ohms 5% 1/8W

C1	4201061	4µ7 63V
C2	4010027	1n 10% 100V

8004151 PC 7



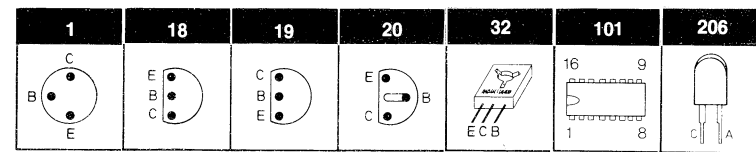
8004160 PC 8



TRANSISTOR - DIODE - IC LIST FOR DIAGRAM 3

5TR1-TR3	8320104	*8320095	20	BC 549 B	8320104	20	BC 558 B
5TR4	8320097		20	BC 184 BN		20	BC 212 B
5TR5	8320292					20	BC 252 B
6TR1-TR2	8320097	8320097	20	BC 547 B		18	BC 308 B
6TR3-TR4	8320137		18	BC 237 B	8320137	20	BC 182 B
6TR100-TR200	8320344		20	BC 171 B			
6TR101-TR201	8320095		19	BC 317 B	8320292	32	BD 137
6TR102-TR202	8320095		20	BC 182 B			
6TR103-TR203	8320097		1	BC 207 B	*8320344	20	BC 550 B
7TR1	8320344		20	BC 237 B		20	BC 348 BN

*SPECIALLY SELECTED SPECIMEN./ *SPEZIELL AUSGESUCHTES EXEMPLAR



5D1	8300131	1N 4148	6IC100	8340046	101	NE 545 B
5D2	8300131	1N 4148	6IC200	8340046	101	NE 545 B
5D3	8300023	EM 502	7IC1	8340054	19	MPSA 13
		1N 4002	7IC2	8340054	19	MPSA 13
		1N 4003	8IC1	8340097	111	UAA 180
6D1	8300028	9,1V 5%				
6D2	8300131	1N 4148				
6D100	8300042	OA 91				
6D101	8300131	1N 4148				
6D200	8300042	OA 91				
6D201	8300131	1N 4148				
7D1-D3	8300131	1N 4148				
7D4	8300034	ZY 12 5%				
		LMZ 12 5%				
8D1	8300255	206	CQX 10			
8D2	8300255	206	CQX 10			
8D3-D8	8300256	206	CQX 11			
8D9	8300255	206	CQX 10			

C1	4130099	1µ3 10% 170V
C2	4130082	220n 20% 250V
C4	4000069	100p 5% 63V
C5	4201069	2µ2 35V TANT.
C6	4201058	0,47 µ 35V TANT.
C7	4130103	100n 20% 250V
C8	4201065	10µ 63V

