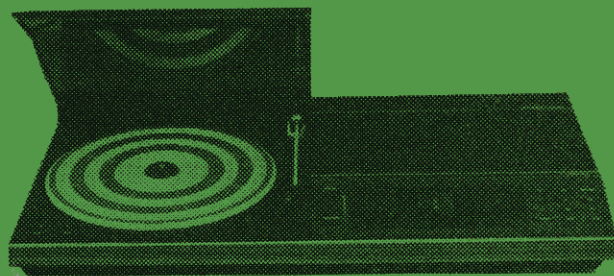


Bang & Olufsen

2 Relai K7 - ~~XXXXXXXXXX~~

Motem K7 DC. 12V ^{A Motem}
XMI-GB2ML

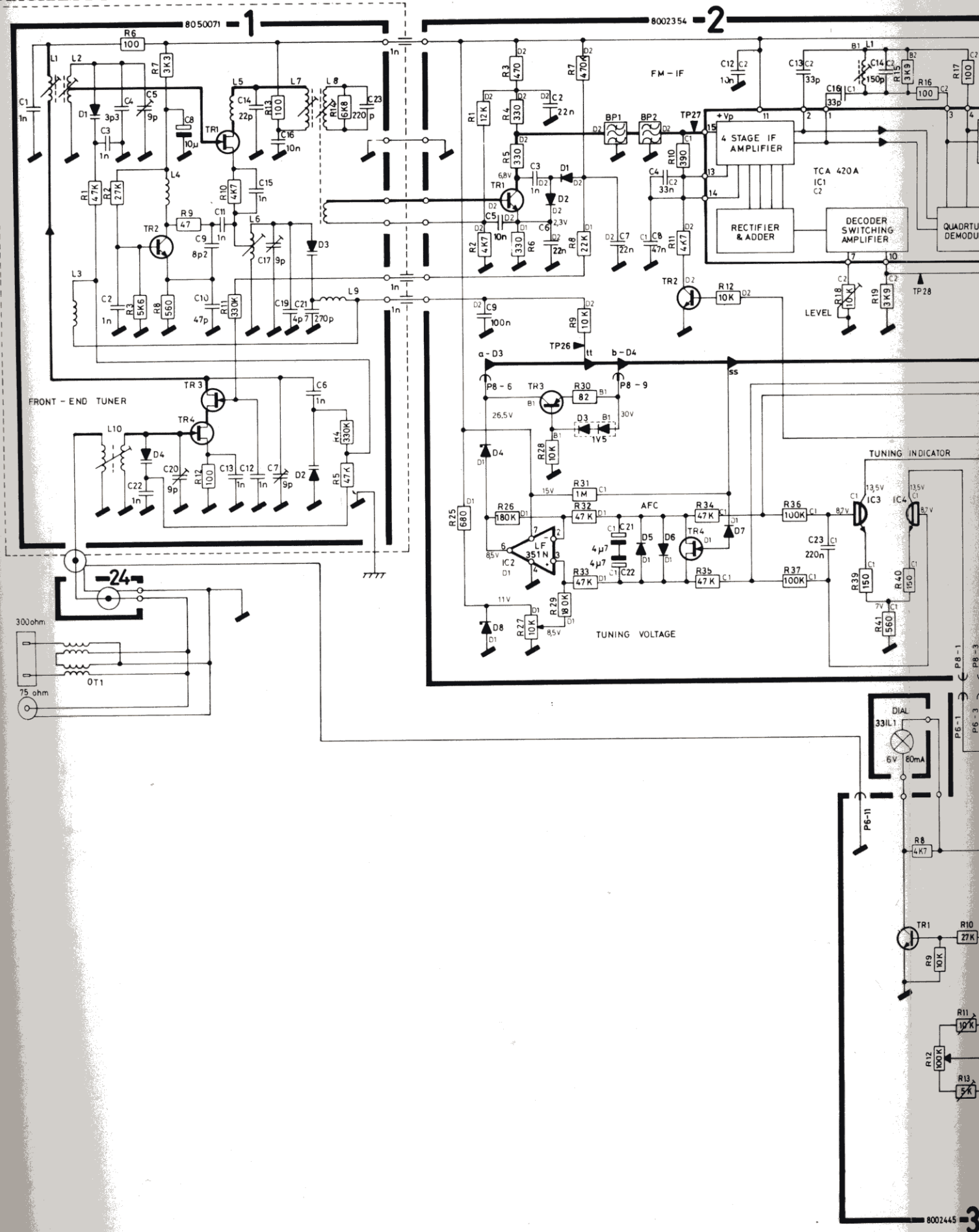


Beocenter 5000
Type 1802-1804



Bang & Olufsen

DIAGRAM 1 TYPE 1802



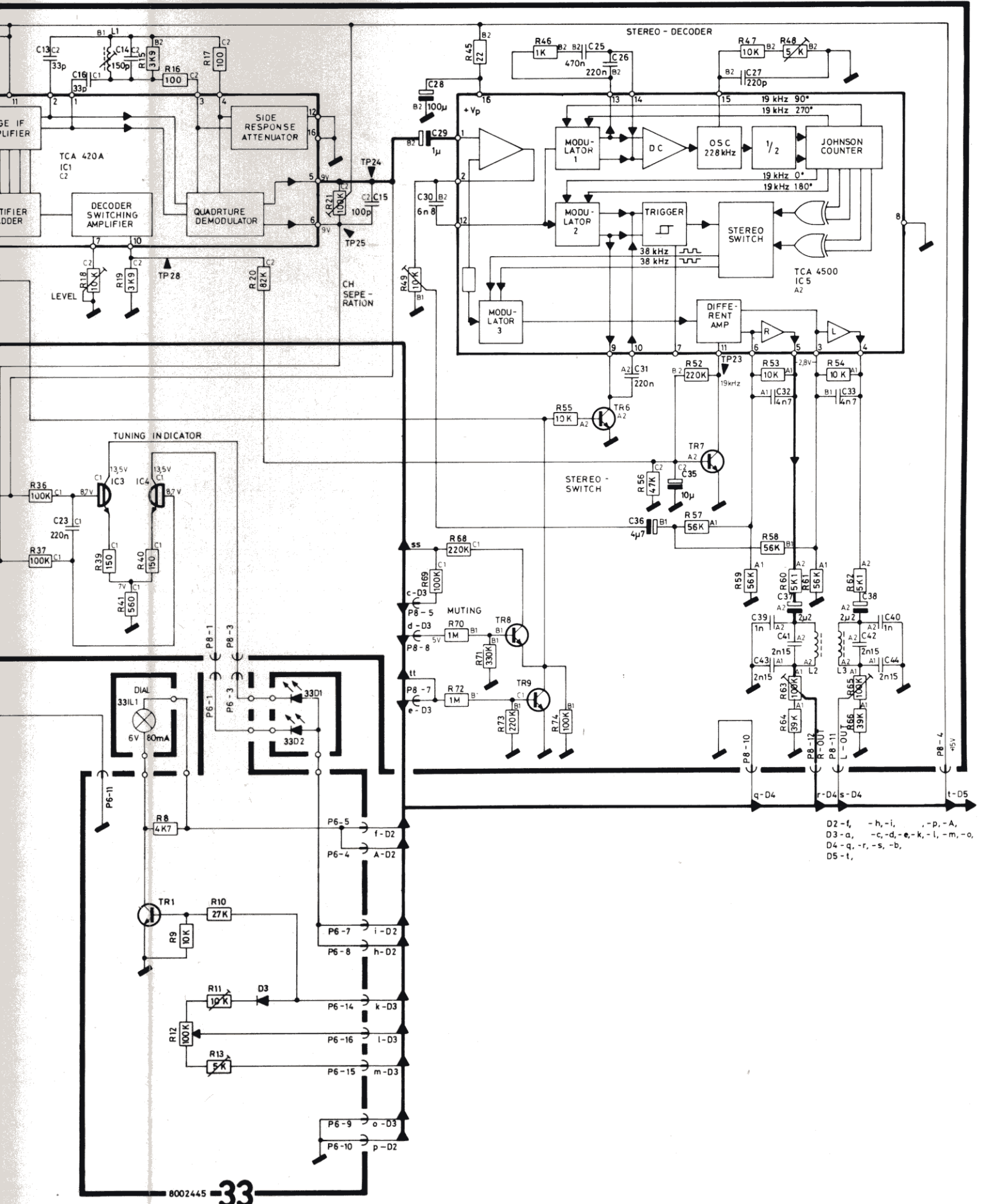
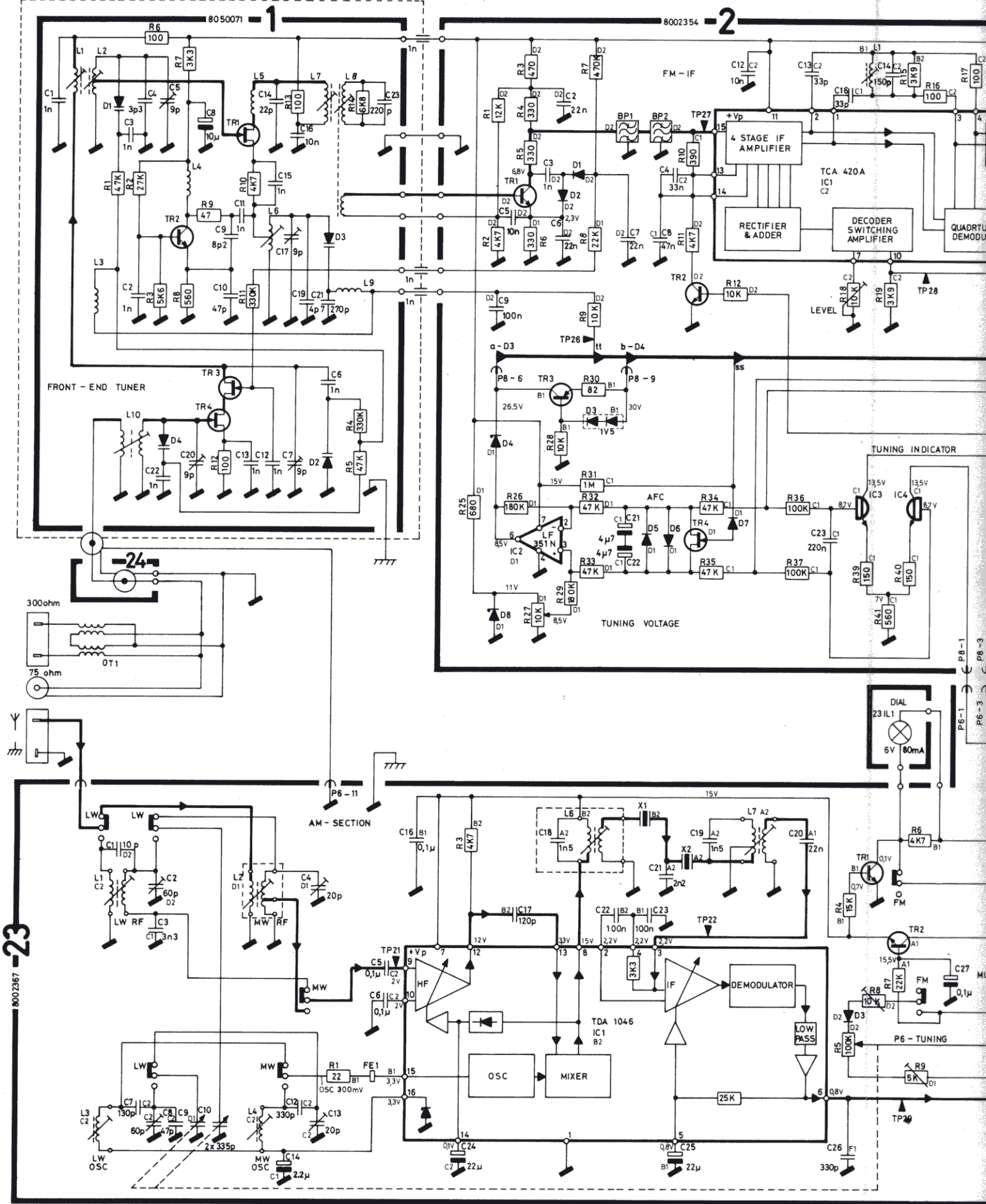
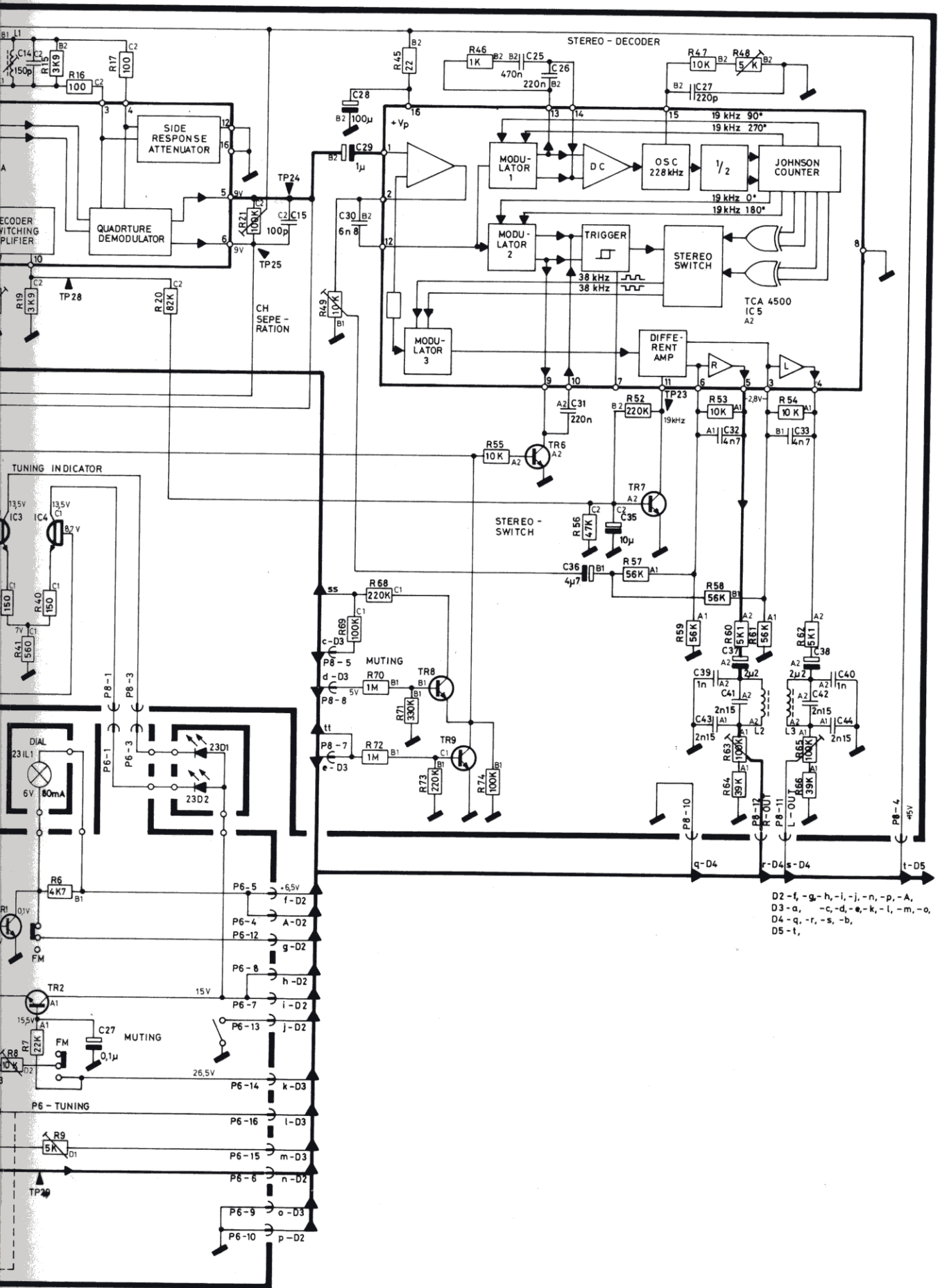


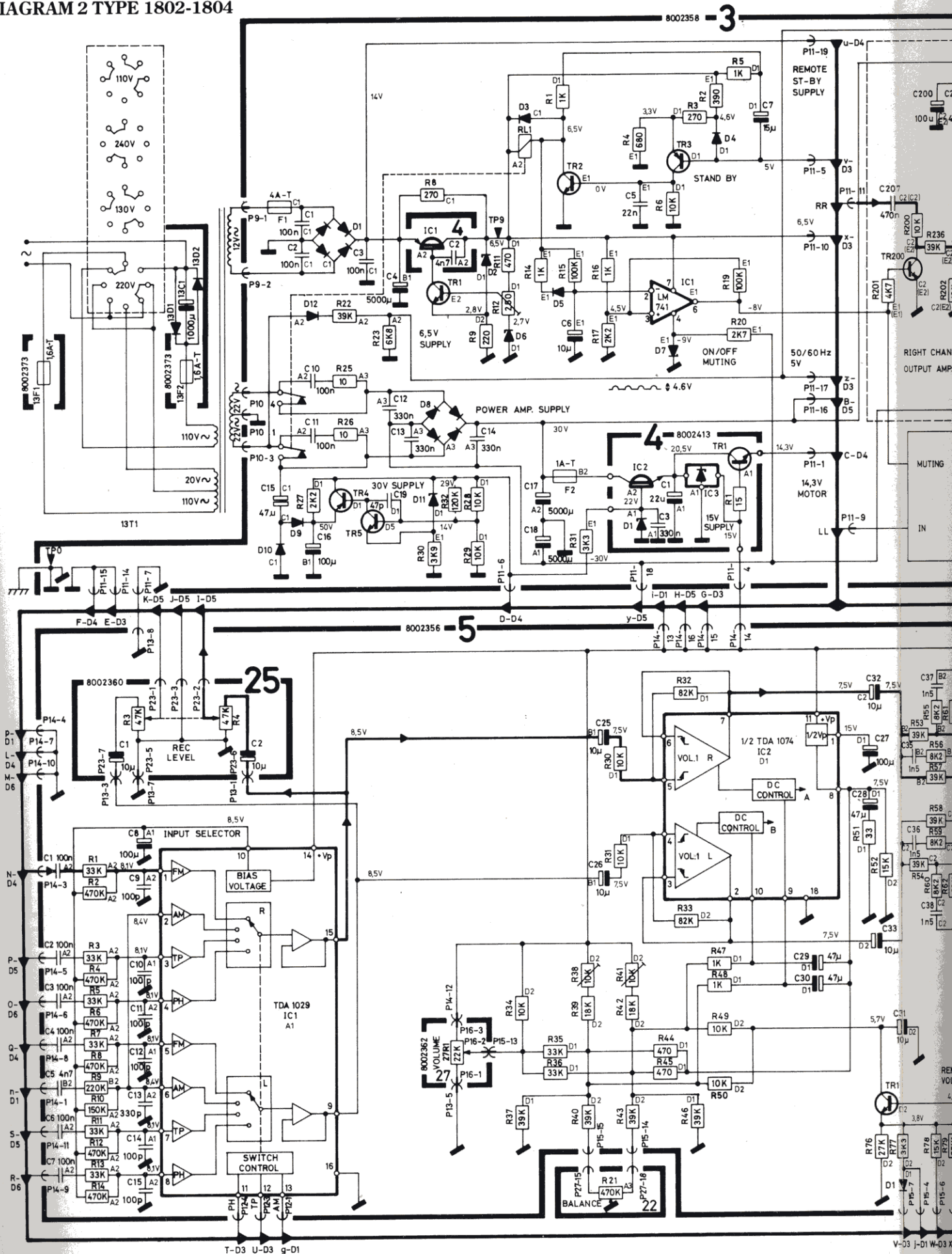
DIAGRAM 1 TYPE 1804

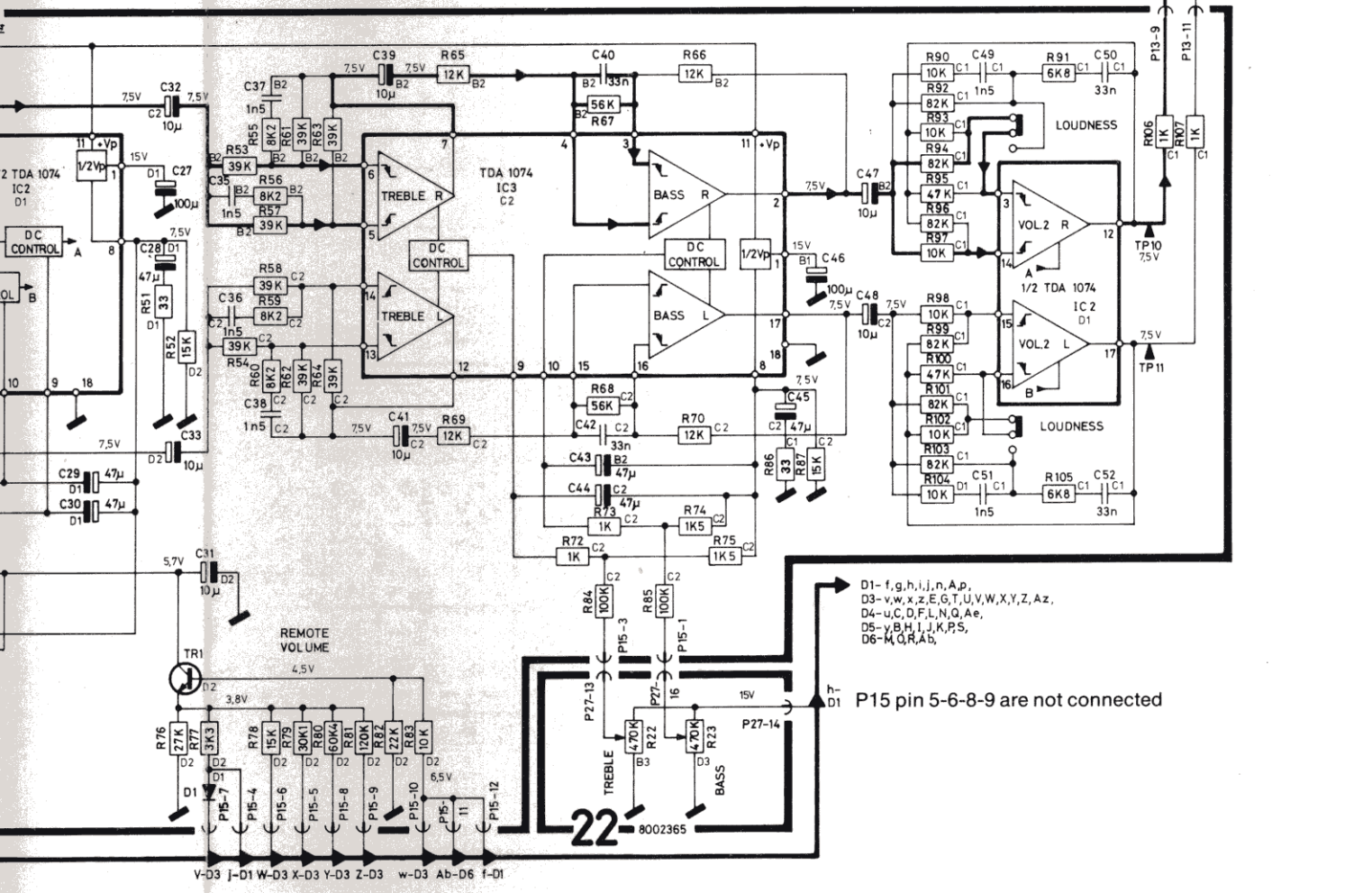
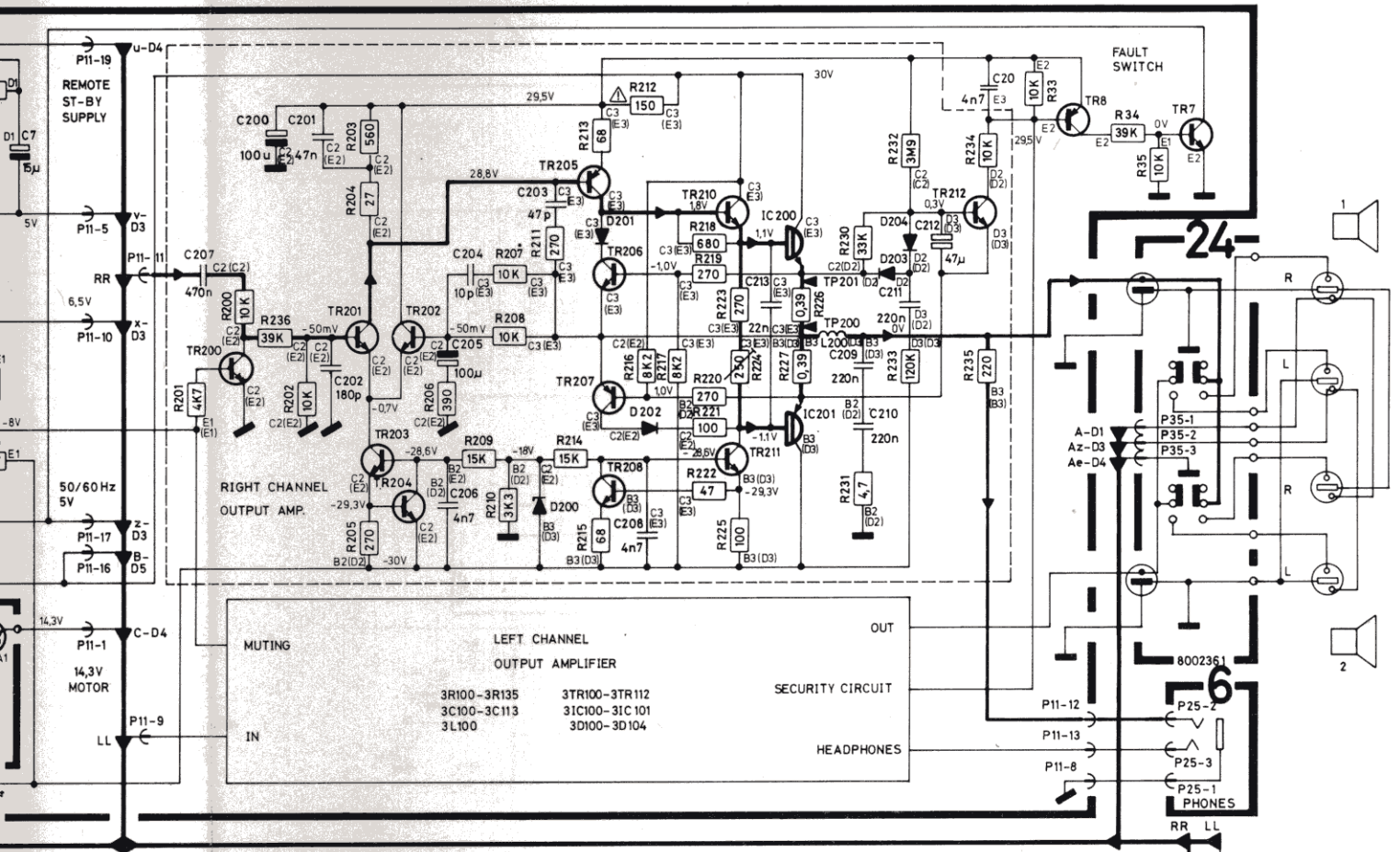




Bang & Olufsen

DIAGRAM 2 TYPE 1802-1804





D1-f, g, h, i, j, n, A, p,
 D3-v, w, x, z, E, G, T, U, V, W, X, Y, Z, Az,
 D4-u, C, D, F, L, N, Q, Ae,
 D5-y, B, H, I, K, P, S,
 D6-M, O, R, Ab,

P15 pin 5-6-8-9 are not connected

V-D3 J-D1 W-D3 X-D3 Y-D3 Z-D3 w-D3 Ab-D6 I-D1

1-5

DIAGRAM 3 TYPE 1802-1804

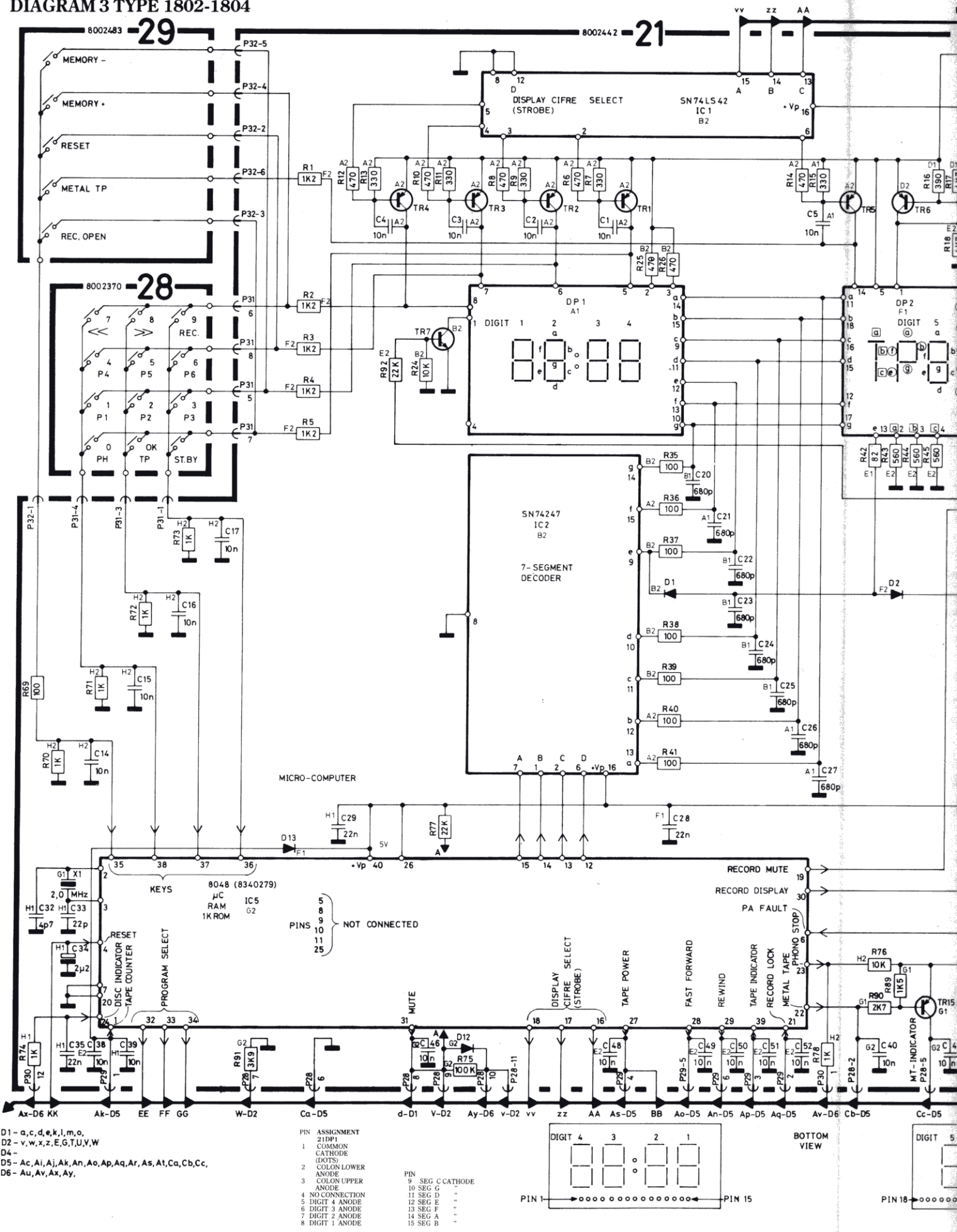
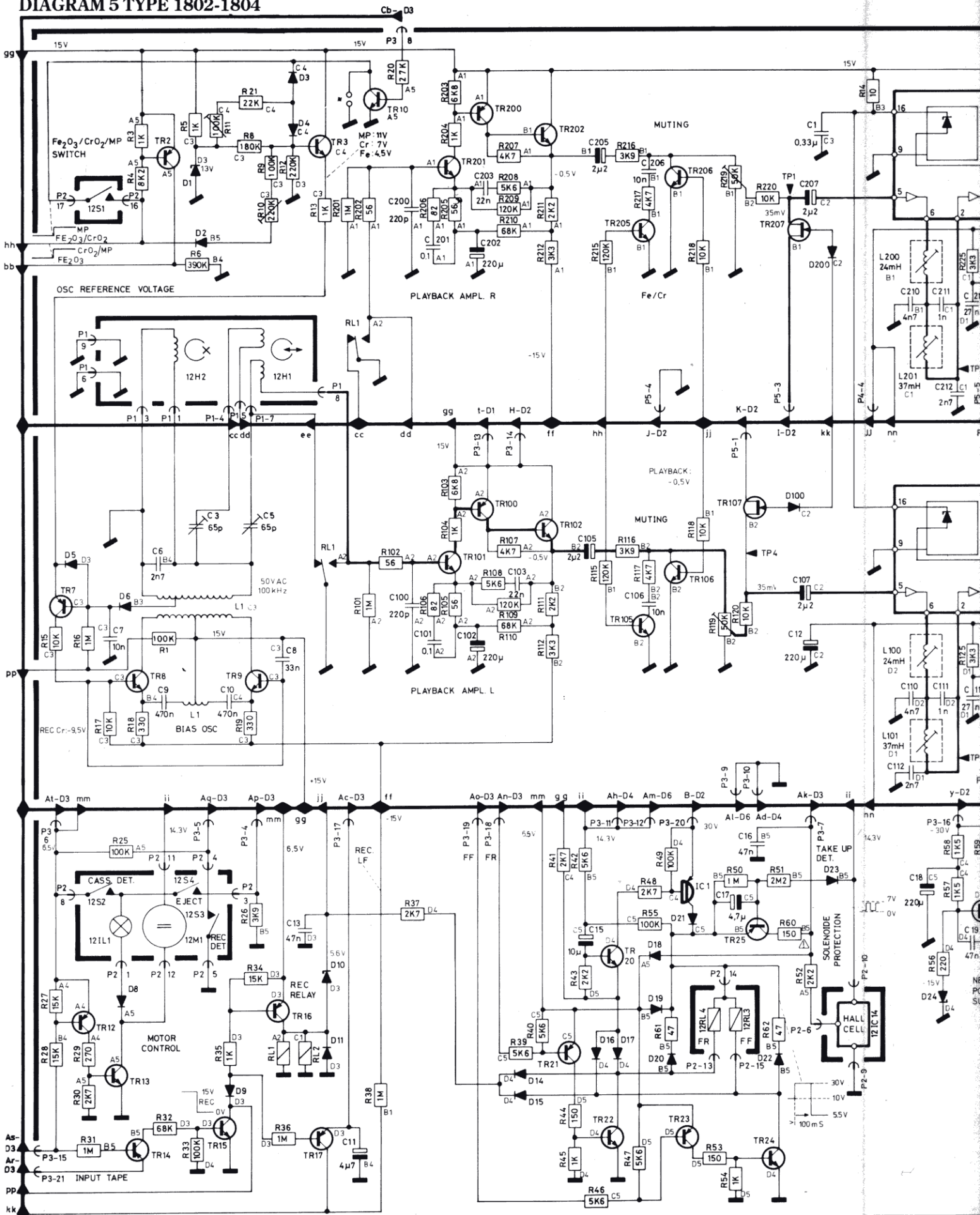
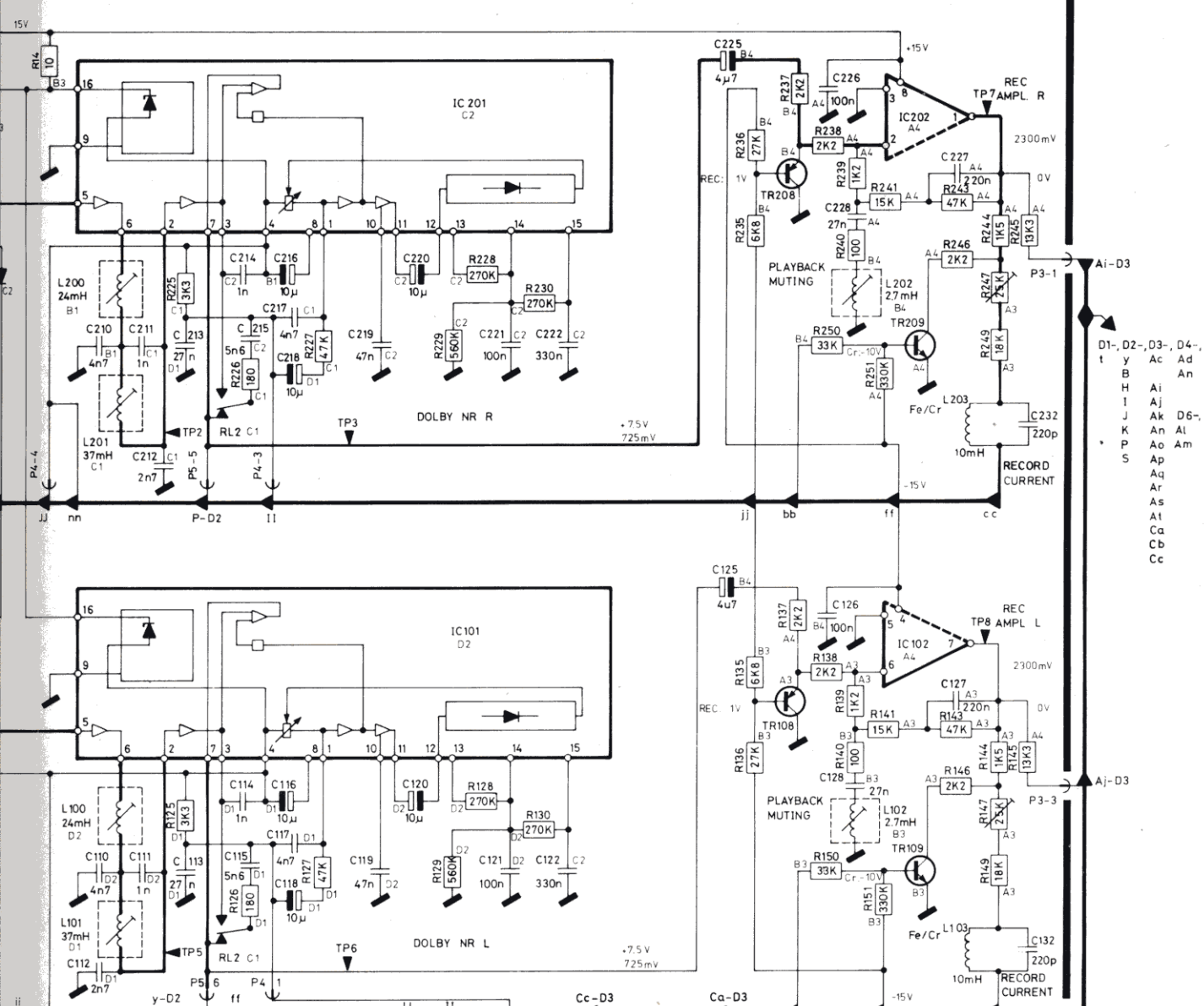


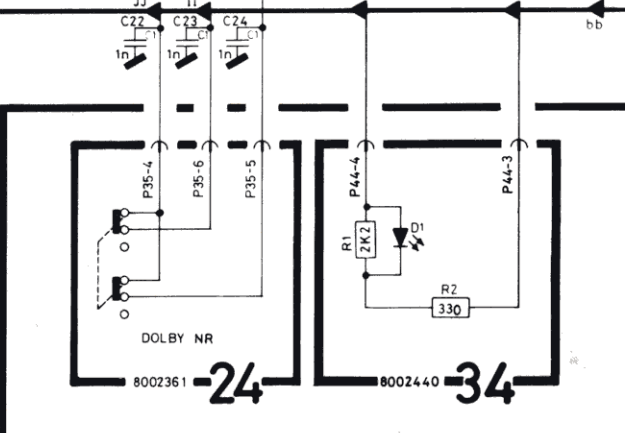
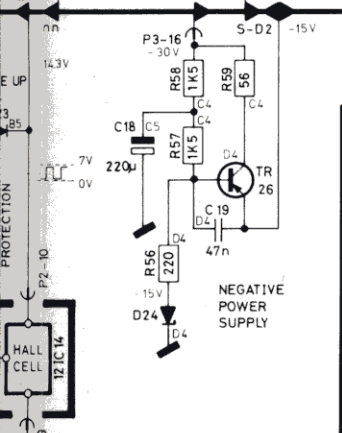
DIAGRAM 5 TYPE 1802-1804



* TO BE SHORTED, WHEN P.C. ARE USED IN SETS, WITHOUT METAL TAPE SWITCH.



- D1-, D2-, D3-, D4-,
- t Y Ac Ad An
- B H I J K P S
- Ai Aj Ak An Ao Al Am
- D6-, D6-,
- Ap Ar As At Ca Cb Cc



FUNCTION TABLE TAPE DECK					
FUNCTION	PLUG AND PINS				
	P3 19	P3 18	P3 15	P3 21	P3 17
»	0	1	0		
«	1	0	0		
>	0	0	0	0	
REC (Ⓞ)	1	1	0	1	
REC	0	0	0	1	1
STOP	1	1	1		
REC WAIT	0	0	0	1	0

Noise reduction system manufactured under license from Dolby Laboratories. Dolby and the double-D symbol are trade marks of Dolby Laboratories.

attention bon usage de t 12 sur certain modele

DIAGRAM 6 TYPE 1802-1804

