

Bang & Olufsen

BEOCENTER 7007

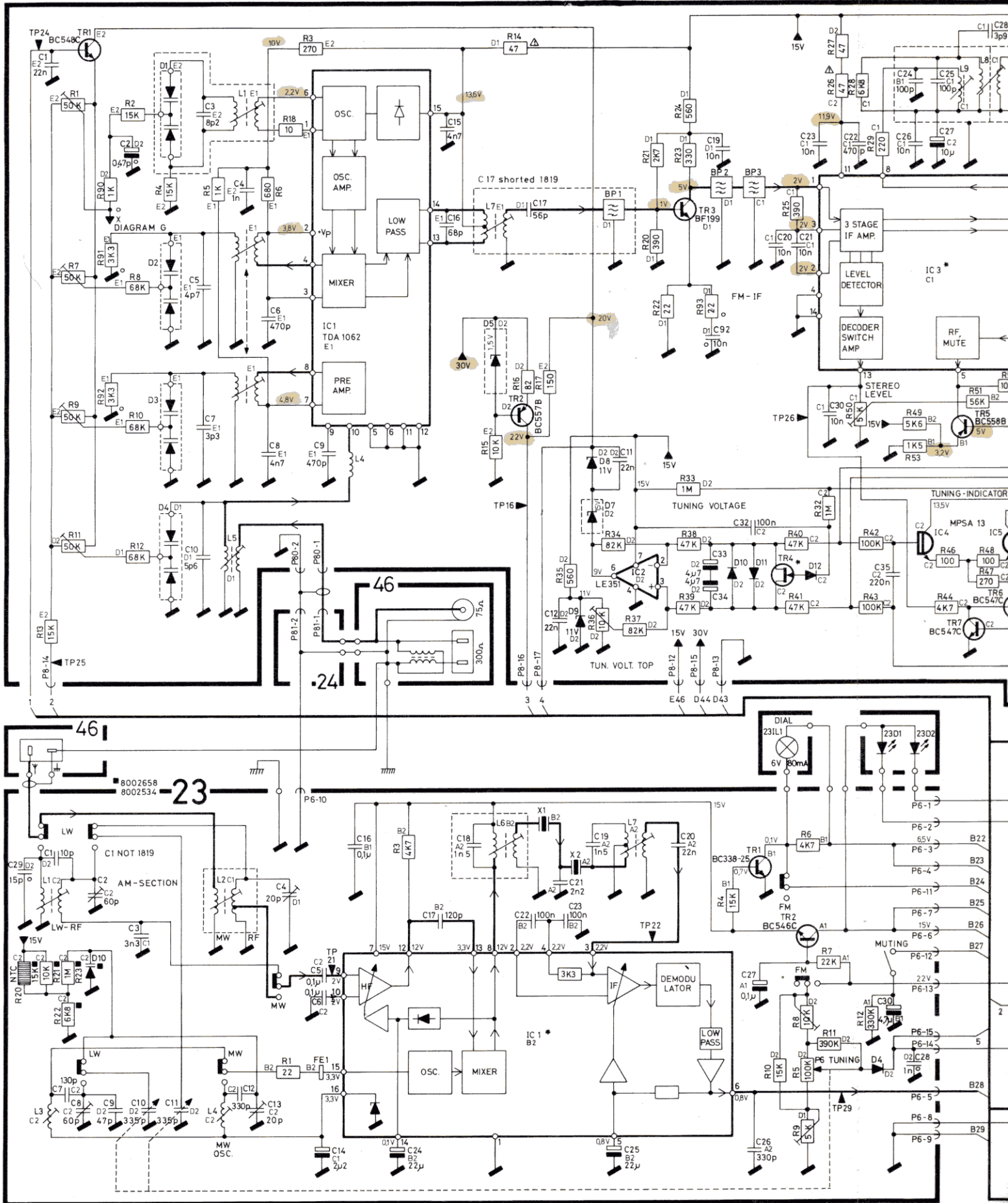
TYPE 1821

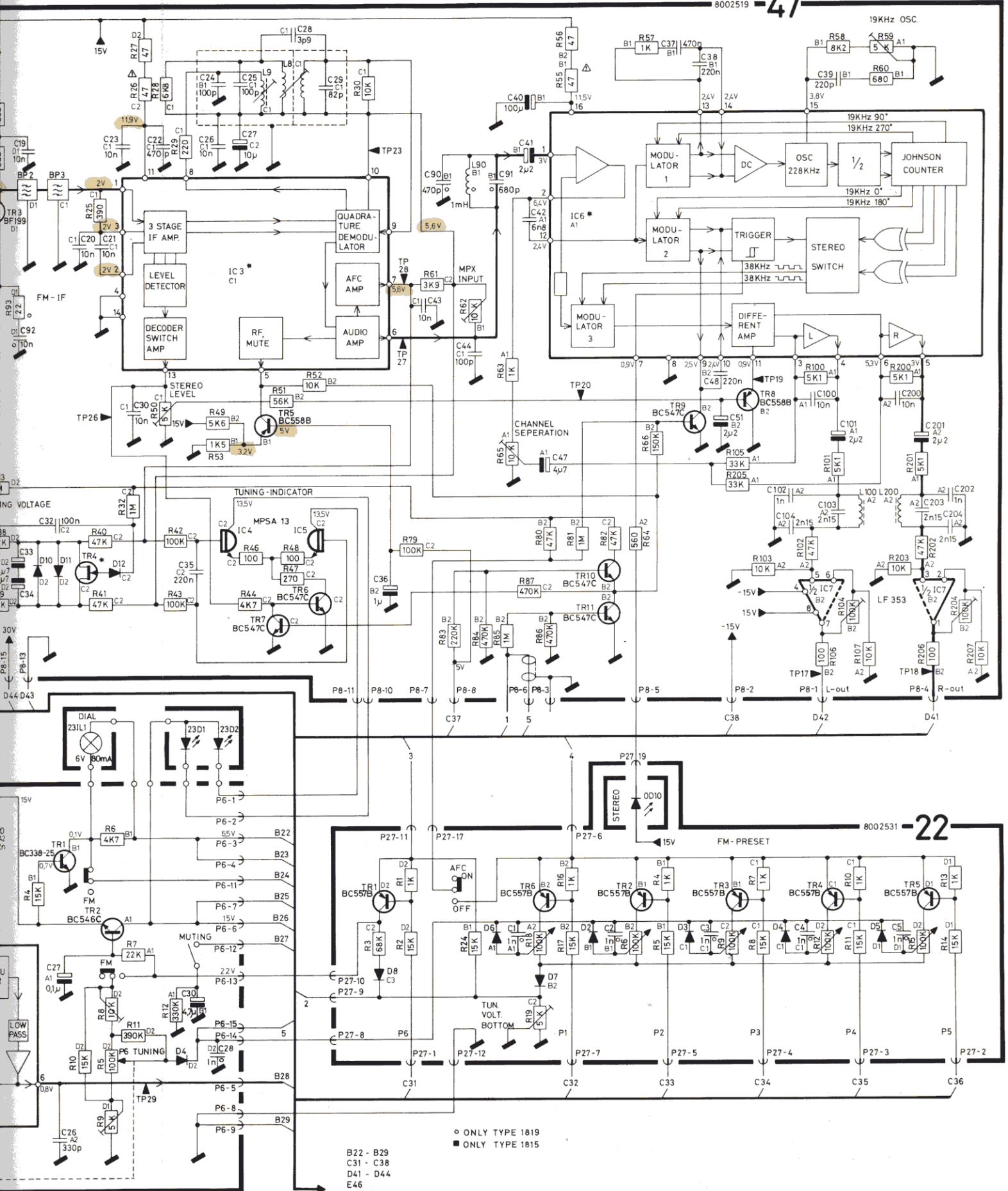
TERMINAL

TYPE 2043

INDKLÆBES I SERVICEANVISNING BEOCENTER 7700, TYPE 1811 - 3538548/
TO PASTE IN SERVICE MANUAL BEOCENTER 7700, TYPE 1811 - 3538548





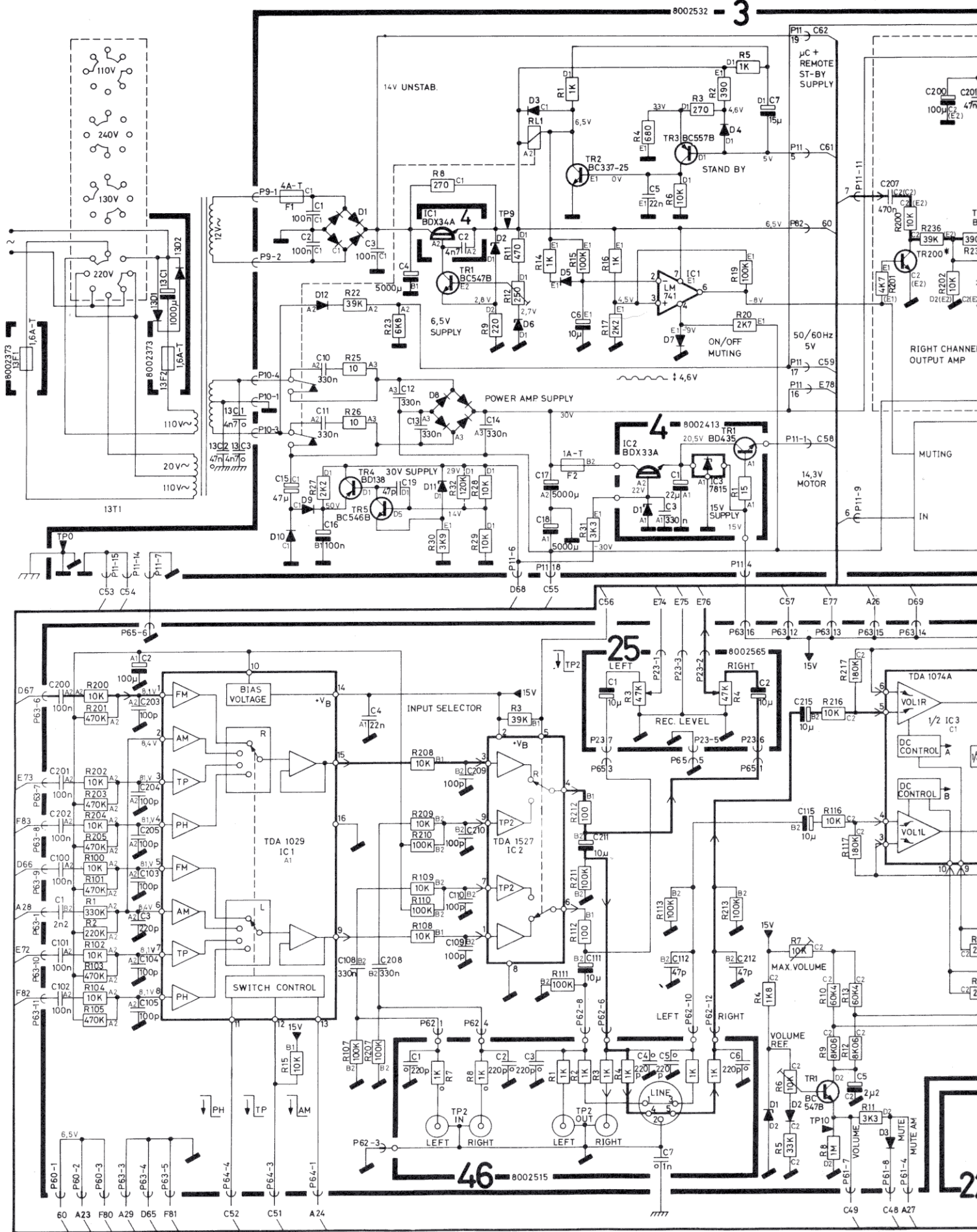


○ ONLY TYPE 1819
■ ONLY TYPE 1815

B22 - B29
C31 - C38
D41 - D44
E46

Bang & Olufsen

DIAGRAM B



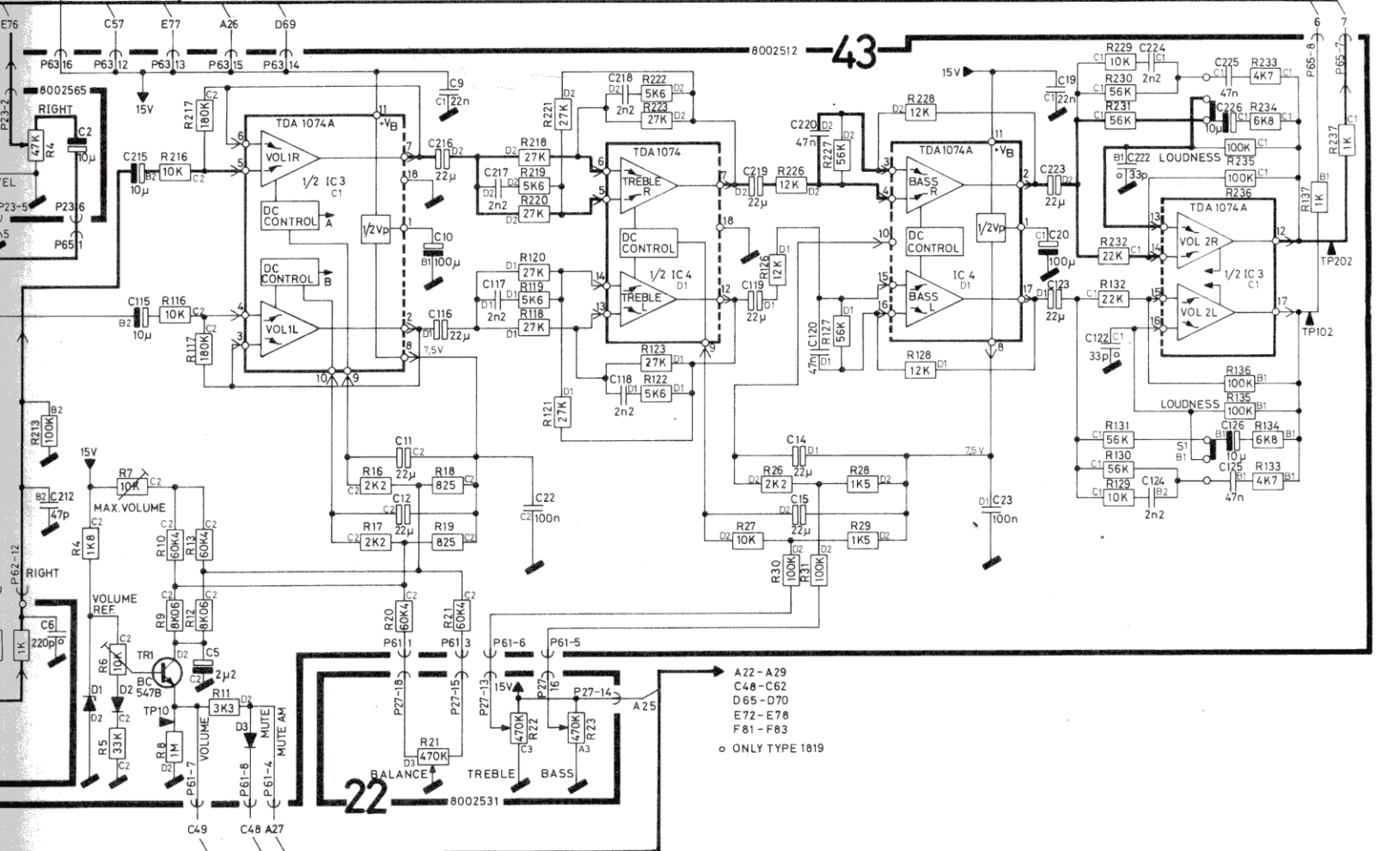
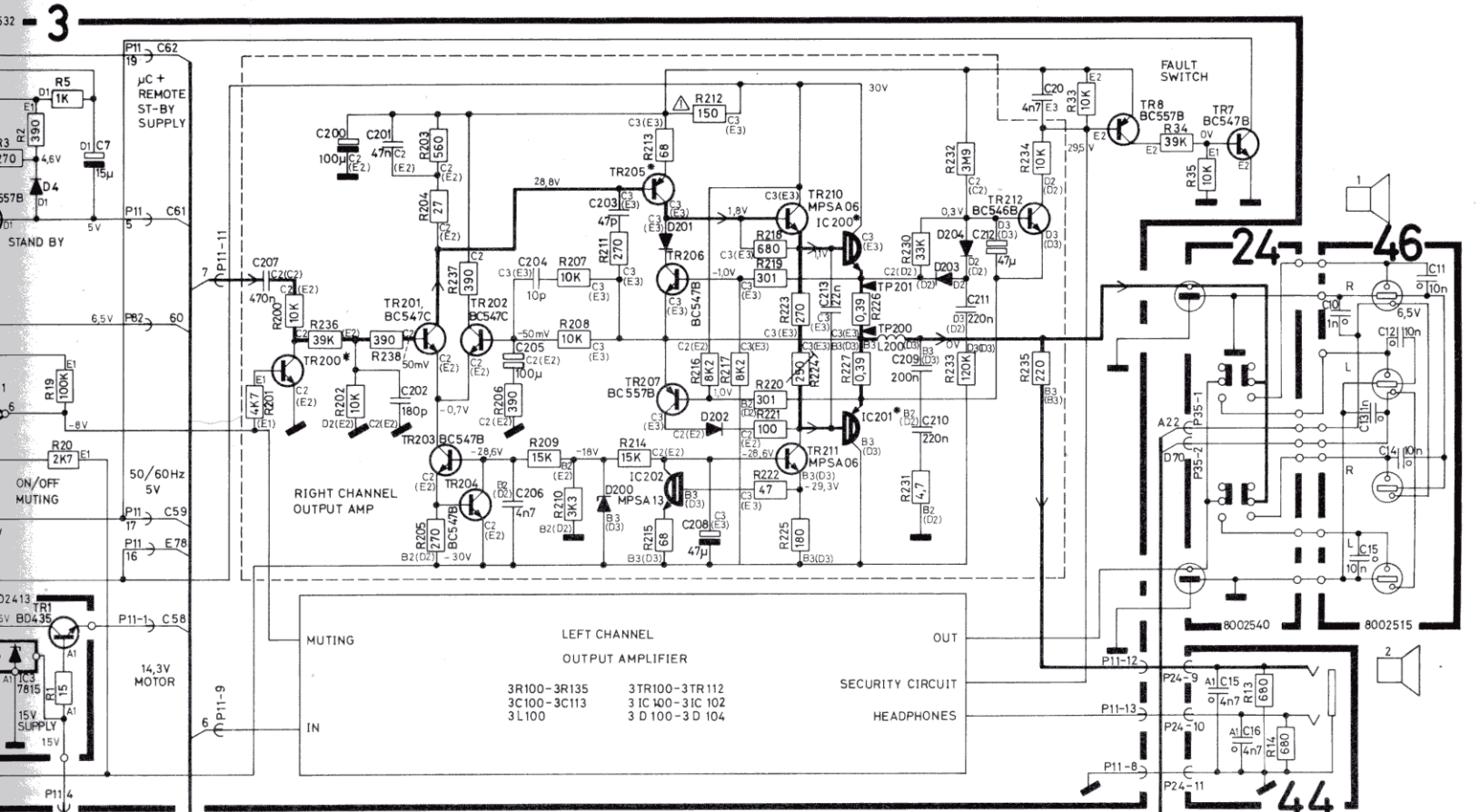
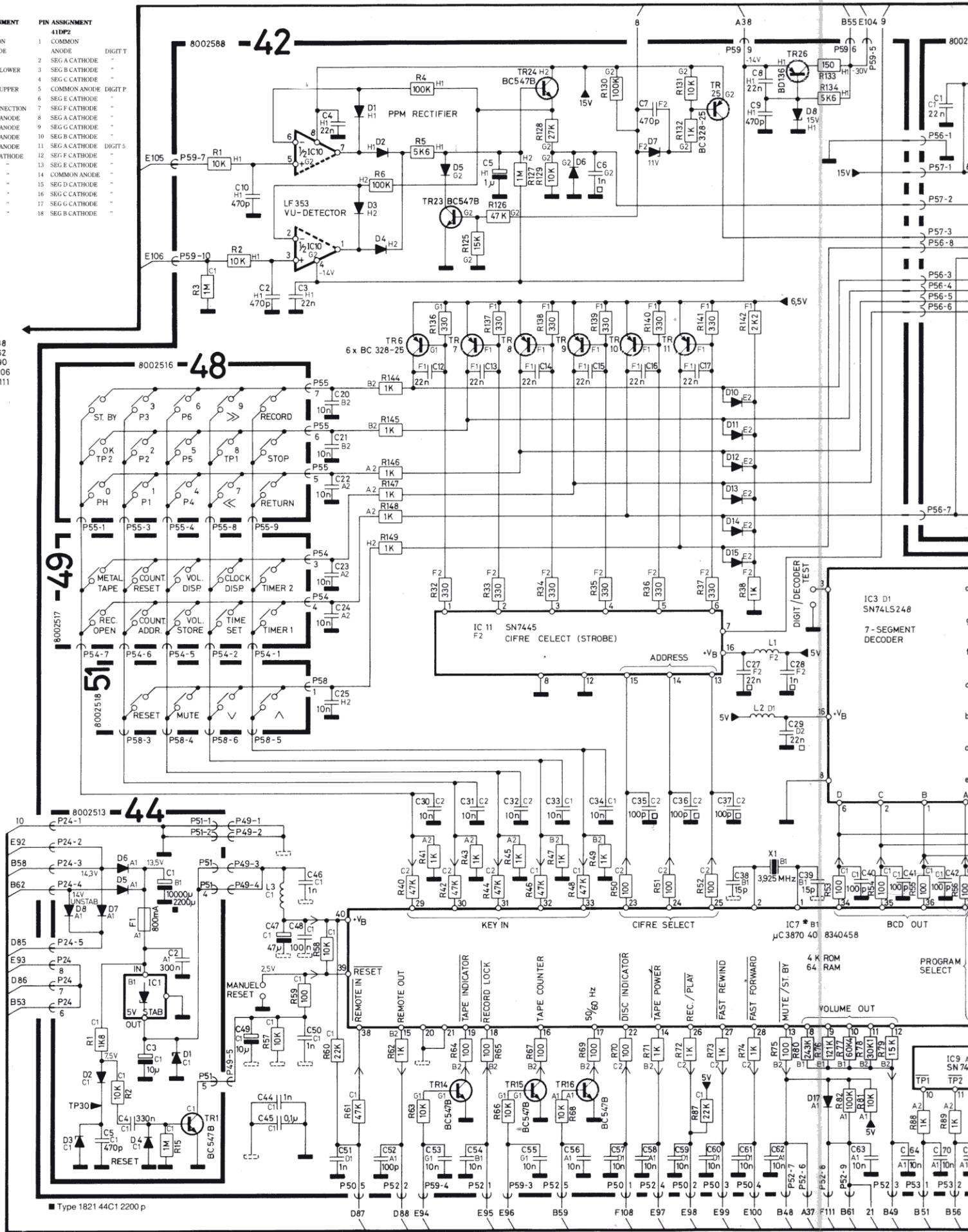


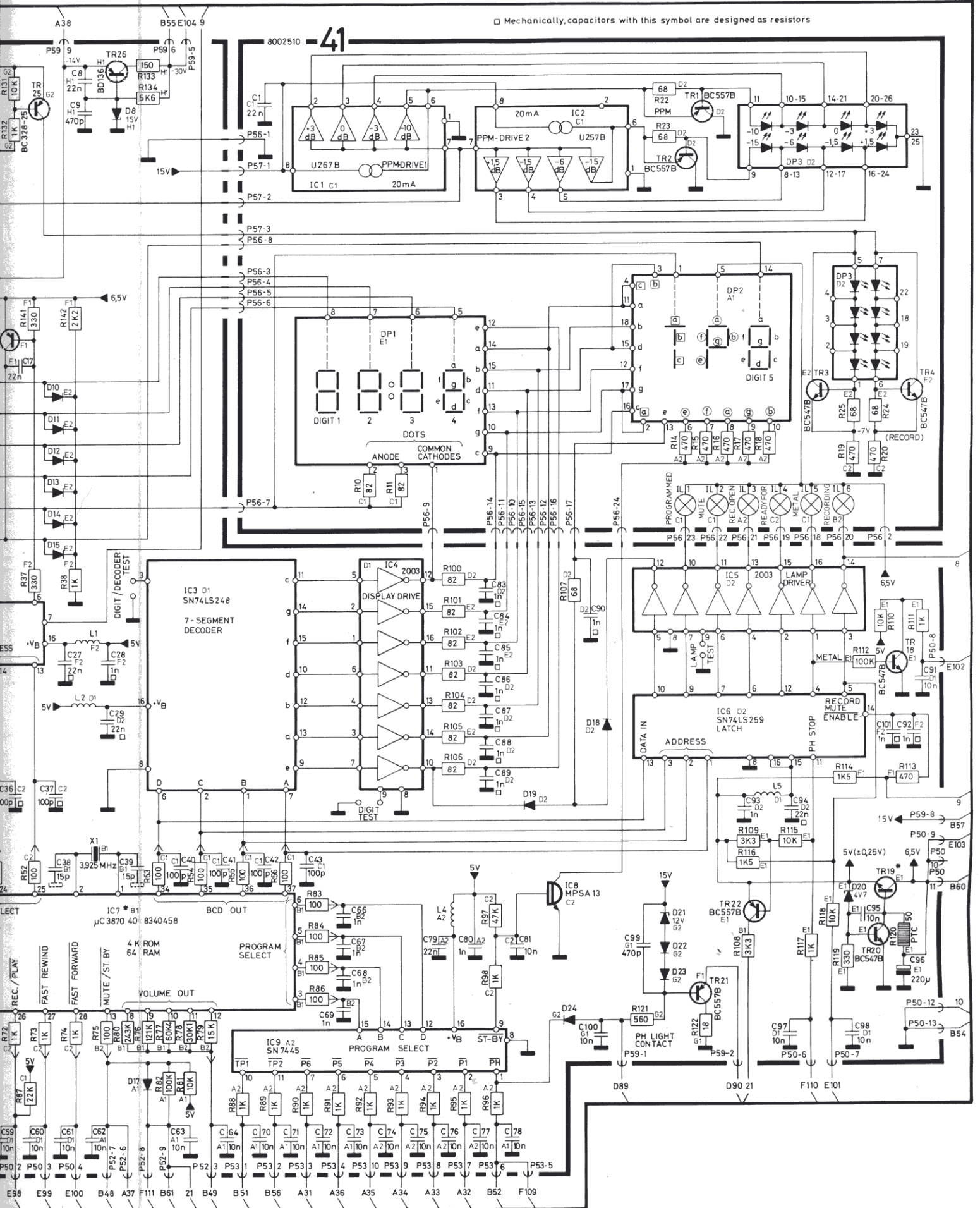
DIAGRAM C

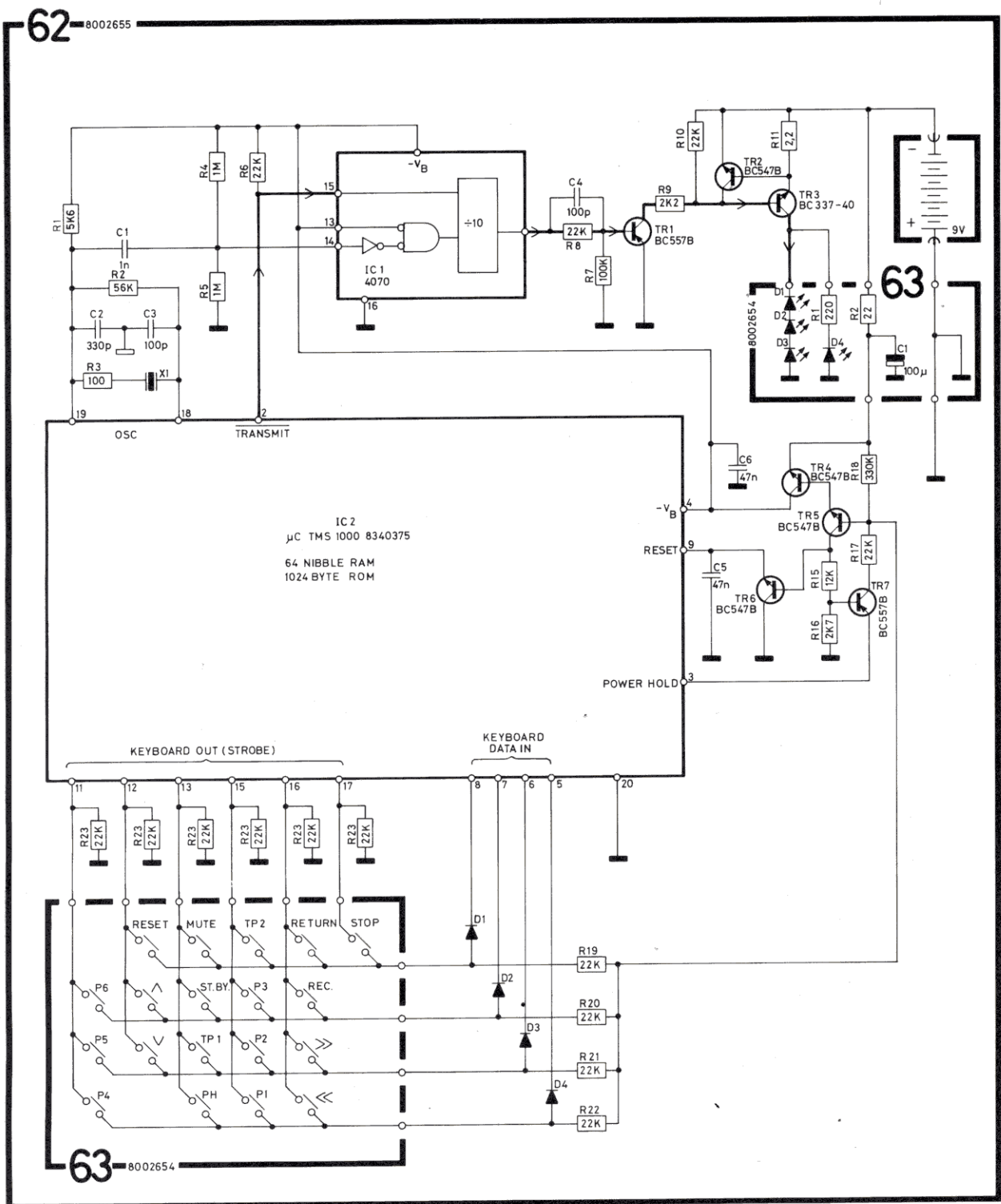
PIN ASSIGNMENT	PIN ASSIGNMENT
41DP1	41DP2
1 COMMON	1 COMMON
2 COLON LOWER (DOTS)	2 SEG A CATHODE
3 COLON LOWER ANODE	3 SEG B CATHODE
4 COLON UPPER ANODE	4 SEG C CATHODE
5 NO CONNECTION	5 COMMON ANODE
6 DIGIT 4 ANODE	6 SEG E CATHODE
7 DIGIT 2 ANODE	7 SEG G CATHODE
8 DIGIT 1 ANODE	8 SEG F CATHODE
9 SEG C CATHODE	9 SEG A CATHODE
10 SEG G CATHODE	10 SEG B CATHODE
11 SEG D CATHODE	11 SEG A CATHODE
12 SEG E CATHODE	12 SEG F CATHODE
13 SEG F CATHODE	13 SEG C CATHODE
14 SEG A CATHODE	14 COMMON ANODE
15 SEG B CATHODE	15 SEG D CATHODE
	16 SEG E CATHODE
	17 SEG G CATHODE
	18 SEG B CATHODE

A31 - A38
B48 - B62
D85 - D90
E92 - E106
F108 - F111



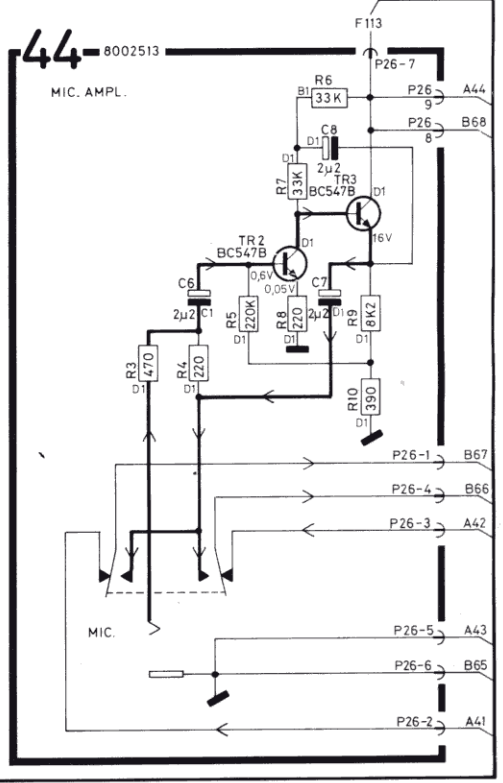
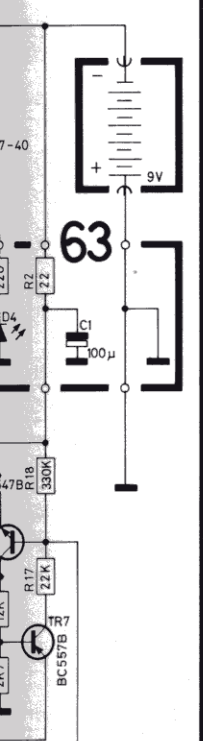
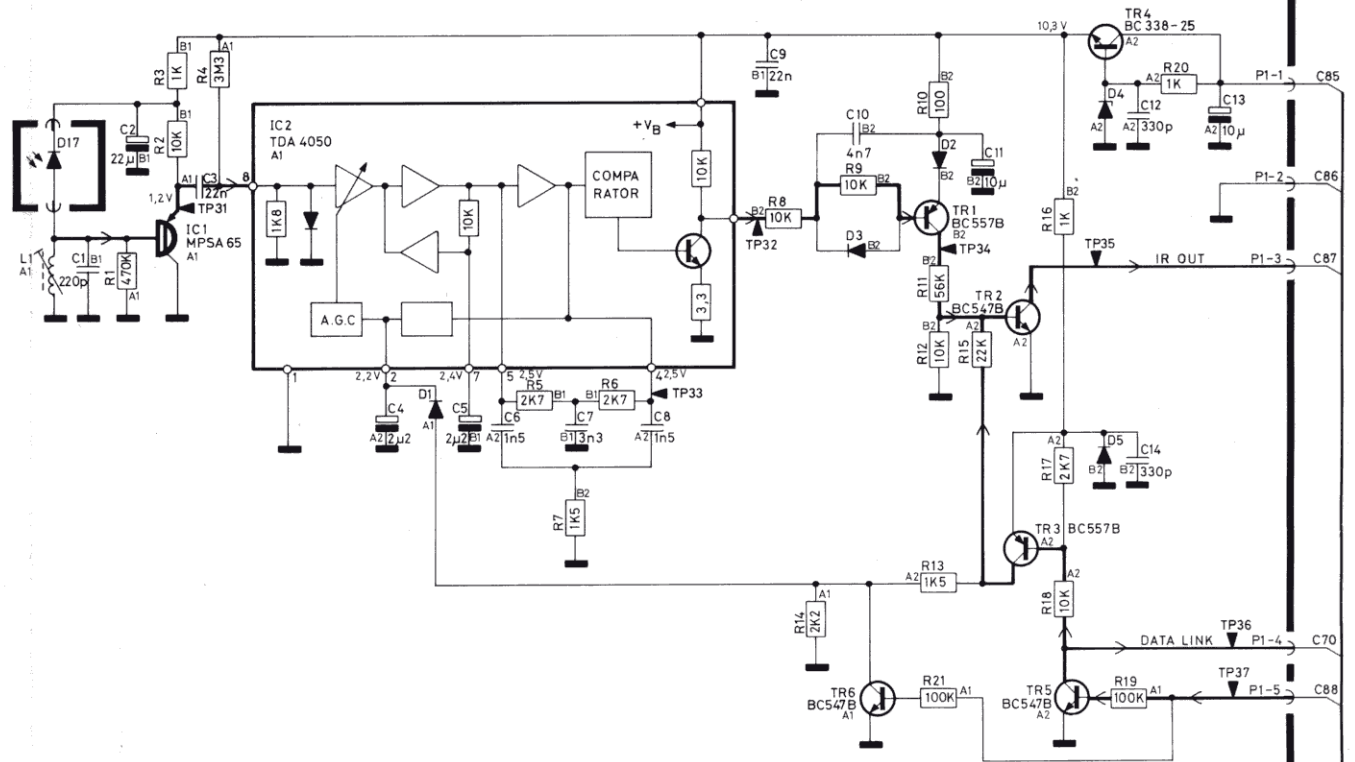
Type 1821 44C1 2200 p

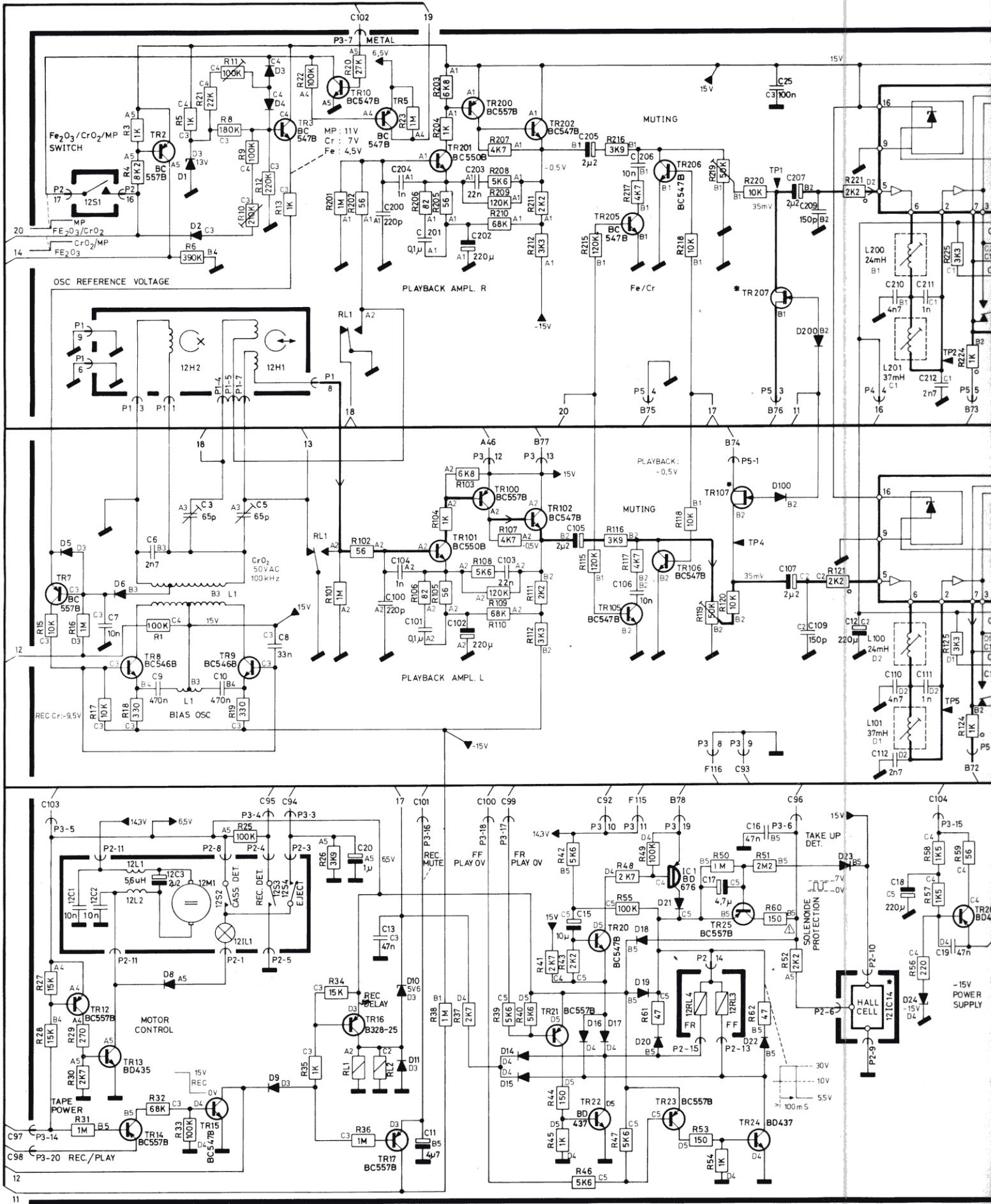




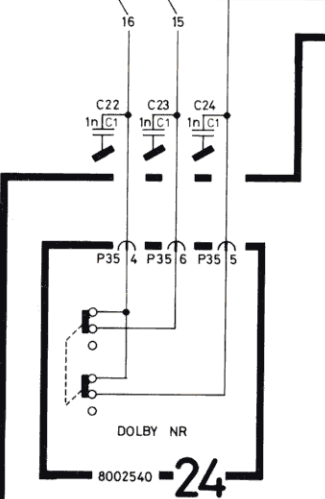
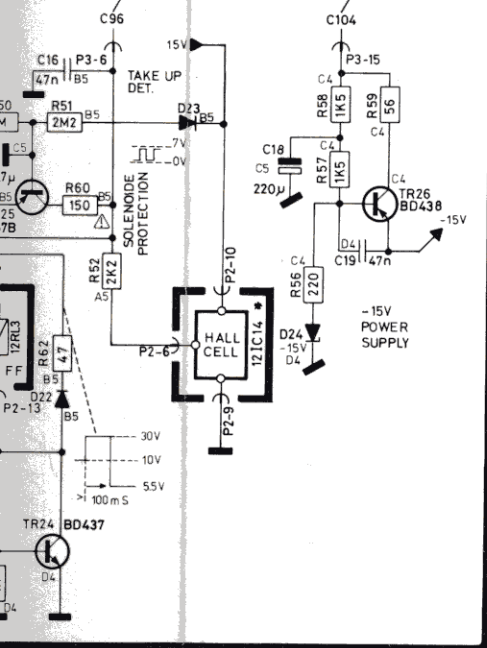
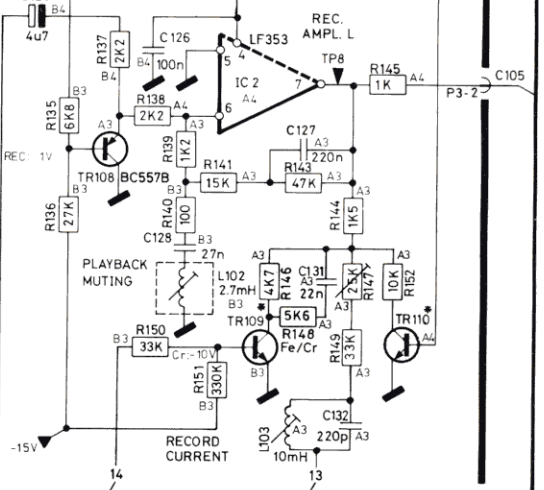
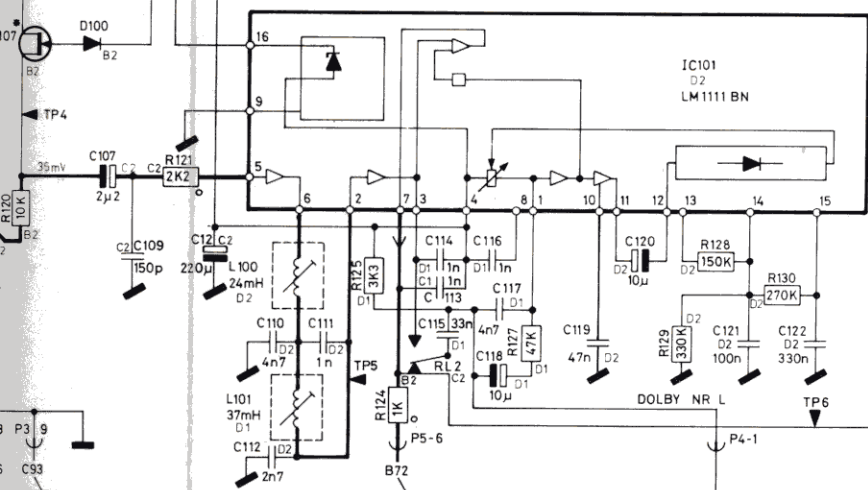
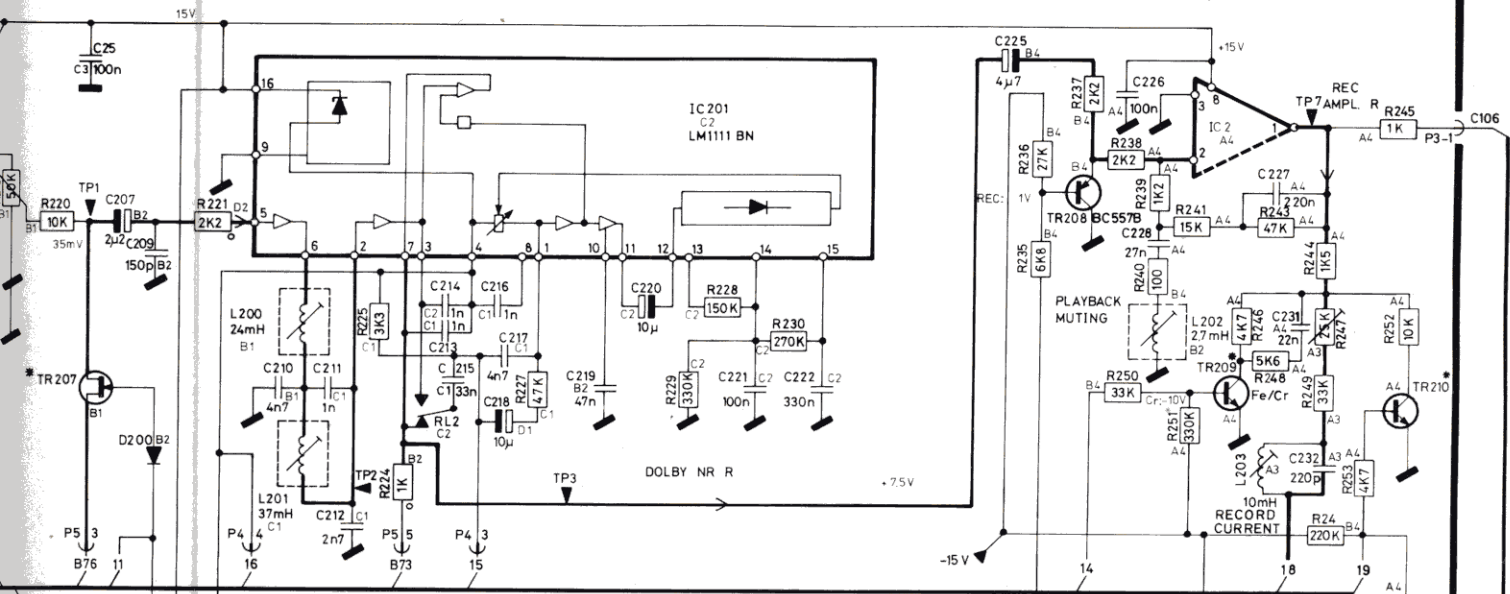
N.B. Module 62 and 63 has a negative supply voltage

61-8002631





8004298 -11



- Switches:
- 1251 ON₂Fe O₃ OFF CrO₂-MP
 - 1252 ON with cass. OFF without cass.
 - 1253 ON rec.lock OFF rec.
 - 1254 ON play OFF press eject

○ ONLY TYPE 1819

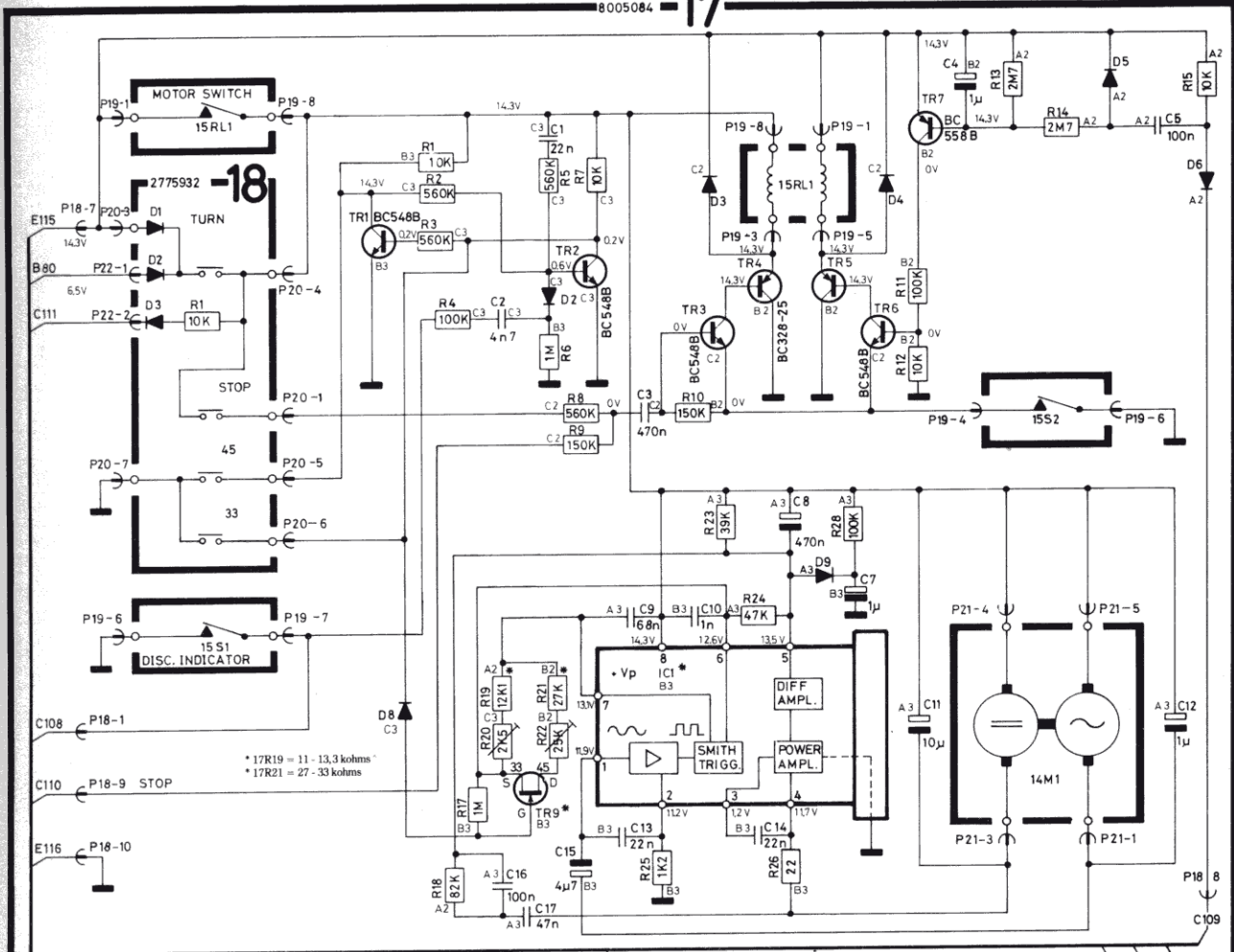
FUNCTION	PLUG AND PINS				
	P3-18	P3-17	P3-14	P3-20	P3-16
»	0	1	0		
«	1	0	0		
>	0	0	0	0	
REC	1	1	0	1	
REC	0	0	0	1	1
STOP	1	1	1		
REC WAIT	0	0	0	1	0

Noise reduction system manufactured under license from Dolby Laboratories Licensing Corporation. The word Dolby is a trade mark of Dolby Laboratories Licensing Corporation.

8002540 -24

DIAGRAM F

8005084 -17



*P.g.a. tolerancer i 171C1 kan værdier af 17R19 og 17R21 variere mellem ovenstående værdier.
Because of tolerances in 171C1, 17R19 and 17R21 may vary between the above values.
Wegen tolerenzen in 171C1 können 17R19 und 17R21 zwischen den obengenannten werten variieren.

B80 - B83
C108 - C111
D113
E115 - E116

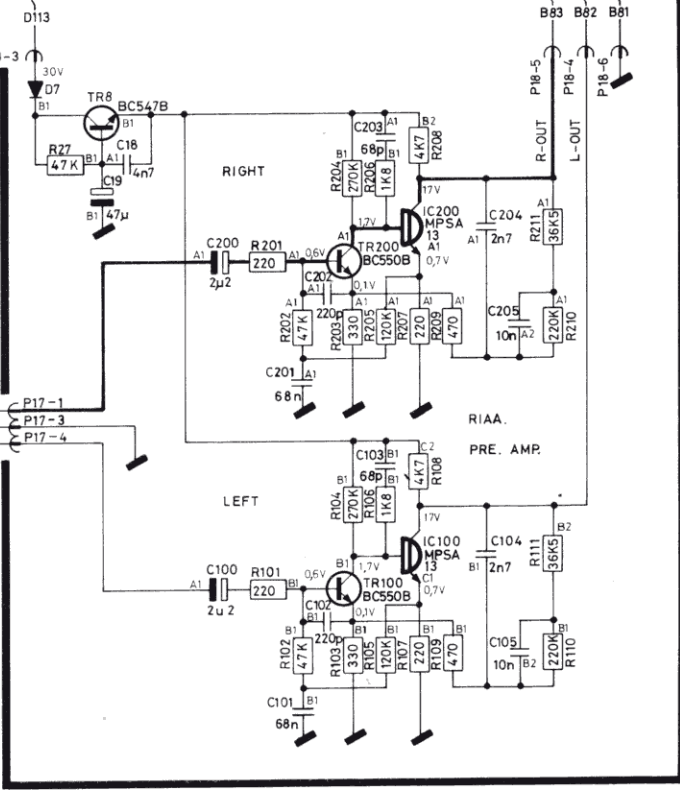
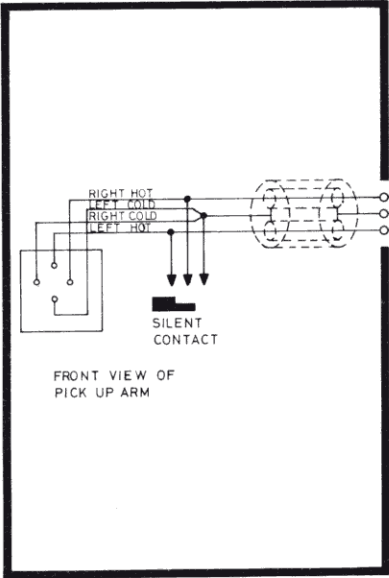


Diagram for Beocenter Terminal
(Based on IC - SN 76831)

