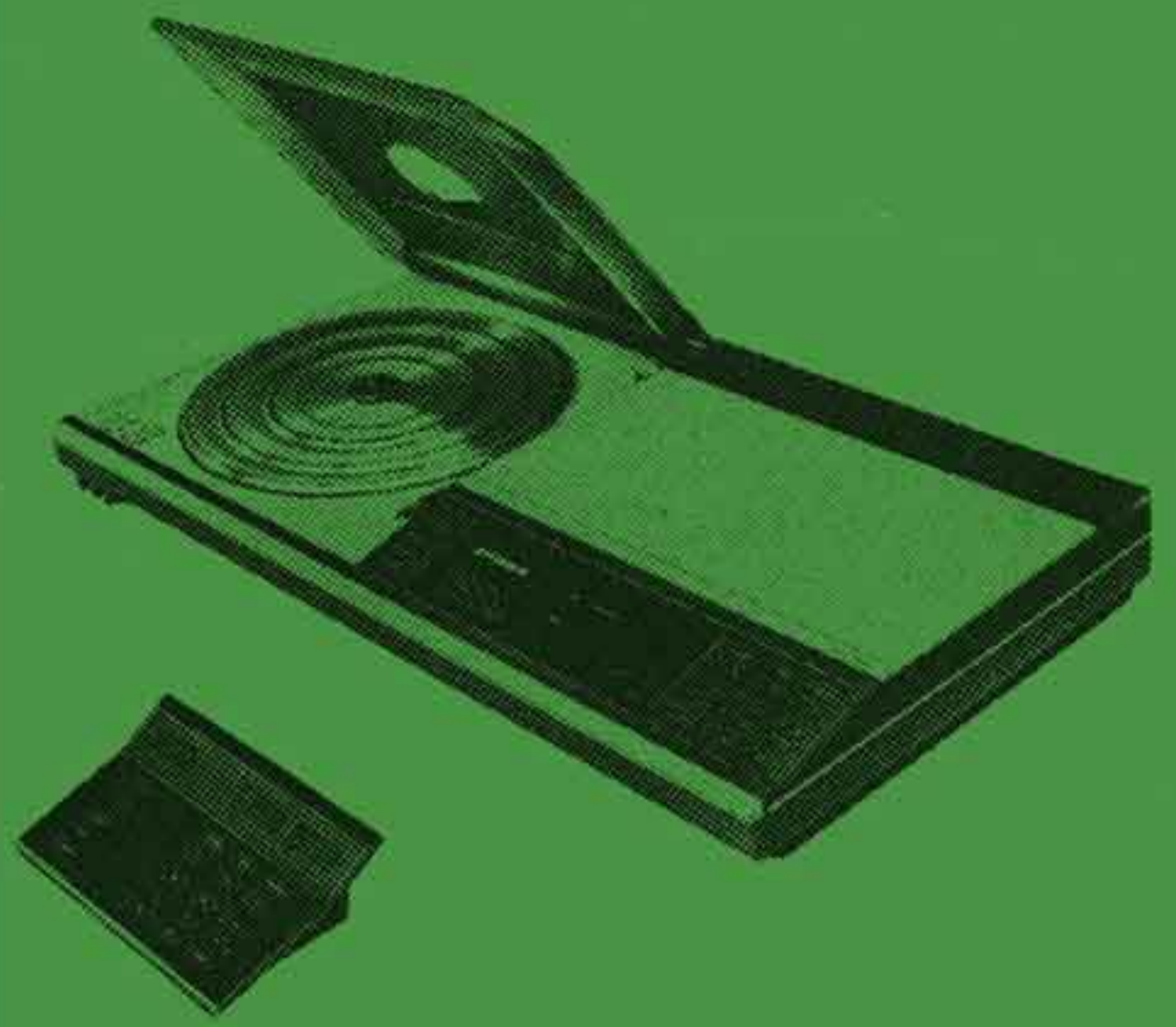


Bang & Olufsen

Diaphragme en entrée Micro
avec la Radio- normal B50

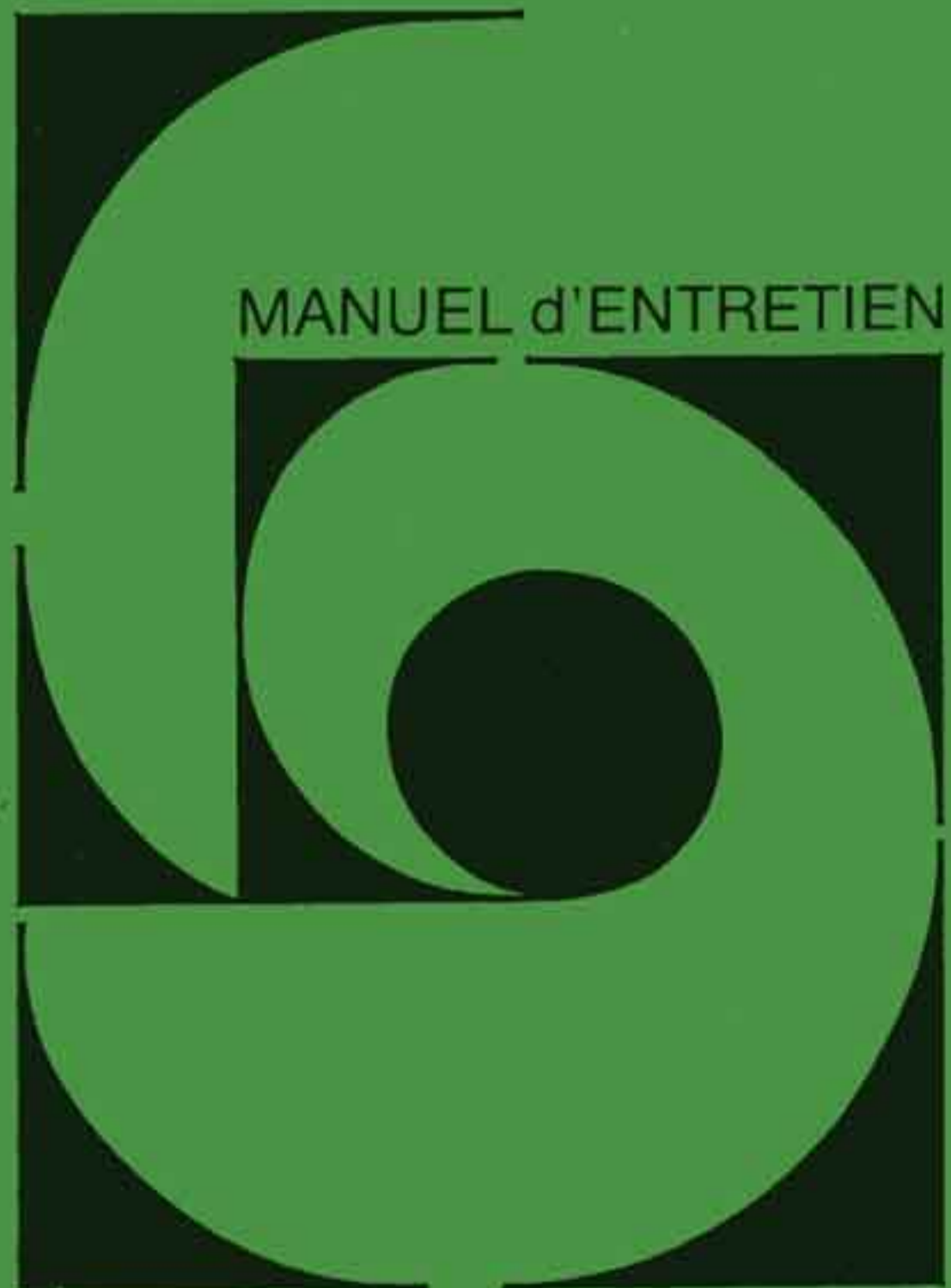
Volume bloqué a l'arrêt voir
Diode Zener 5V, circuit 43

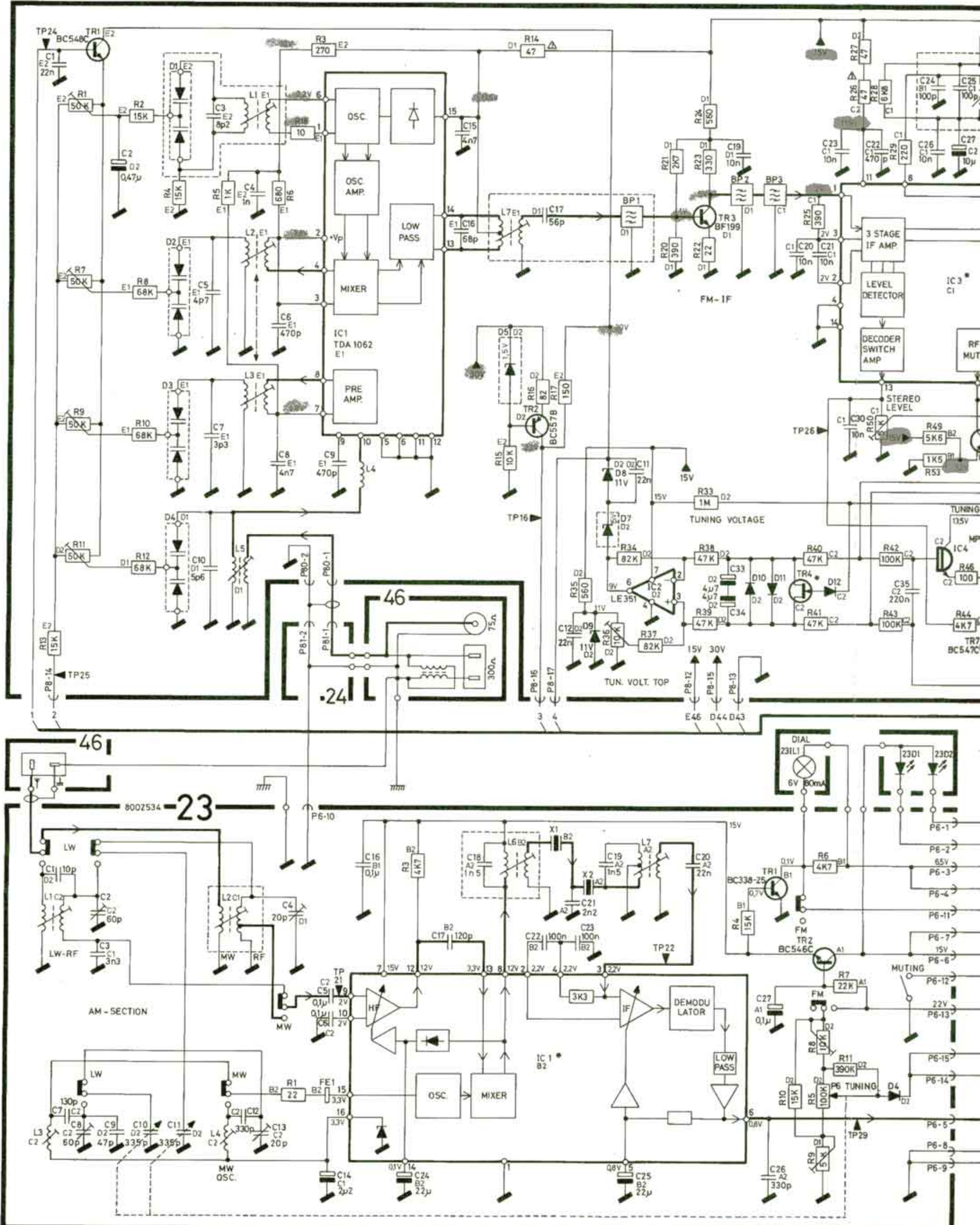


Beocenter 7700

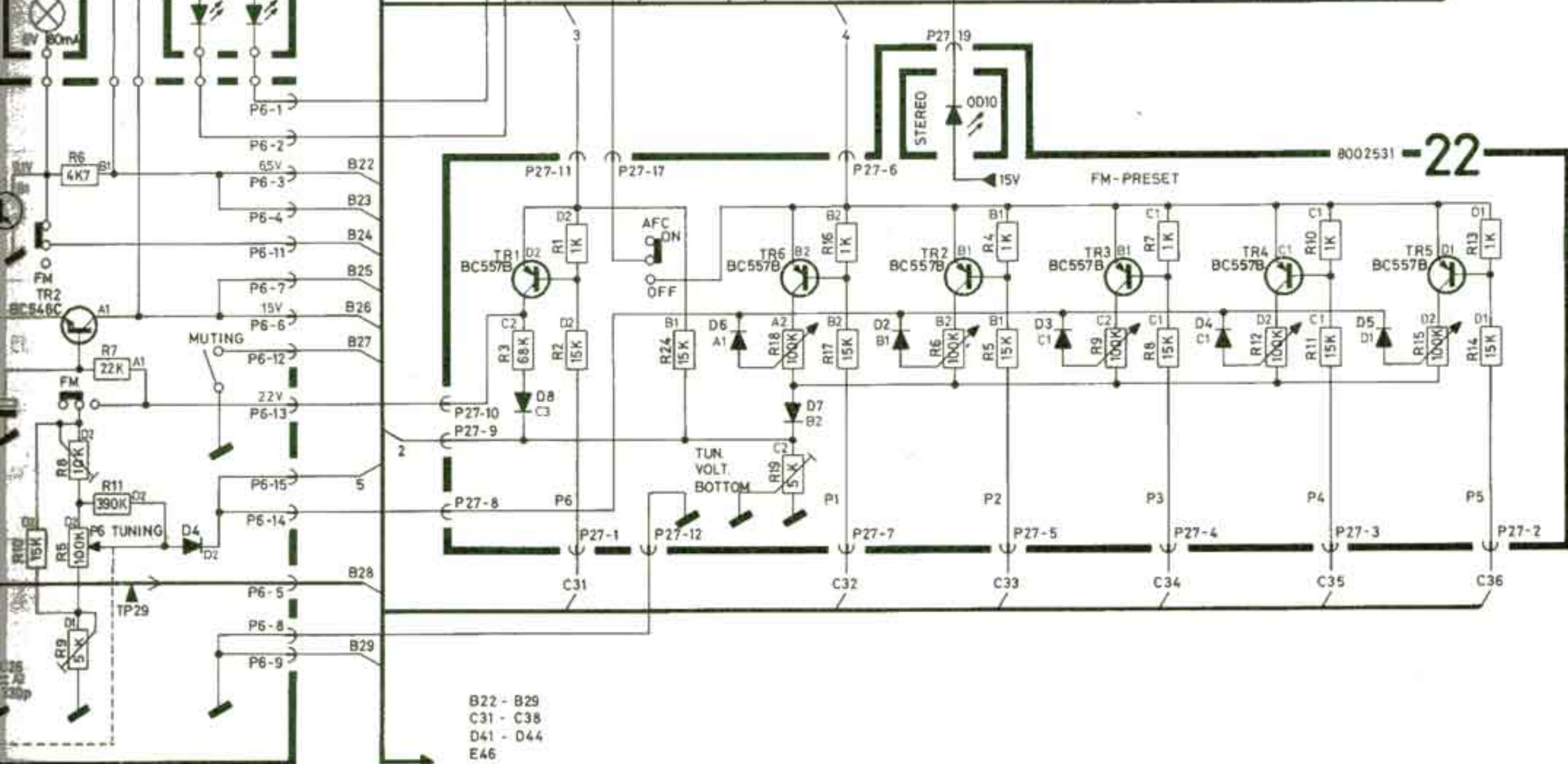
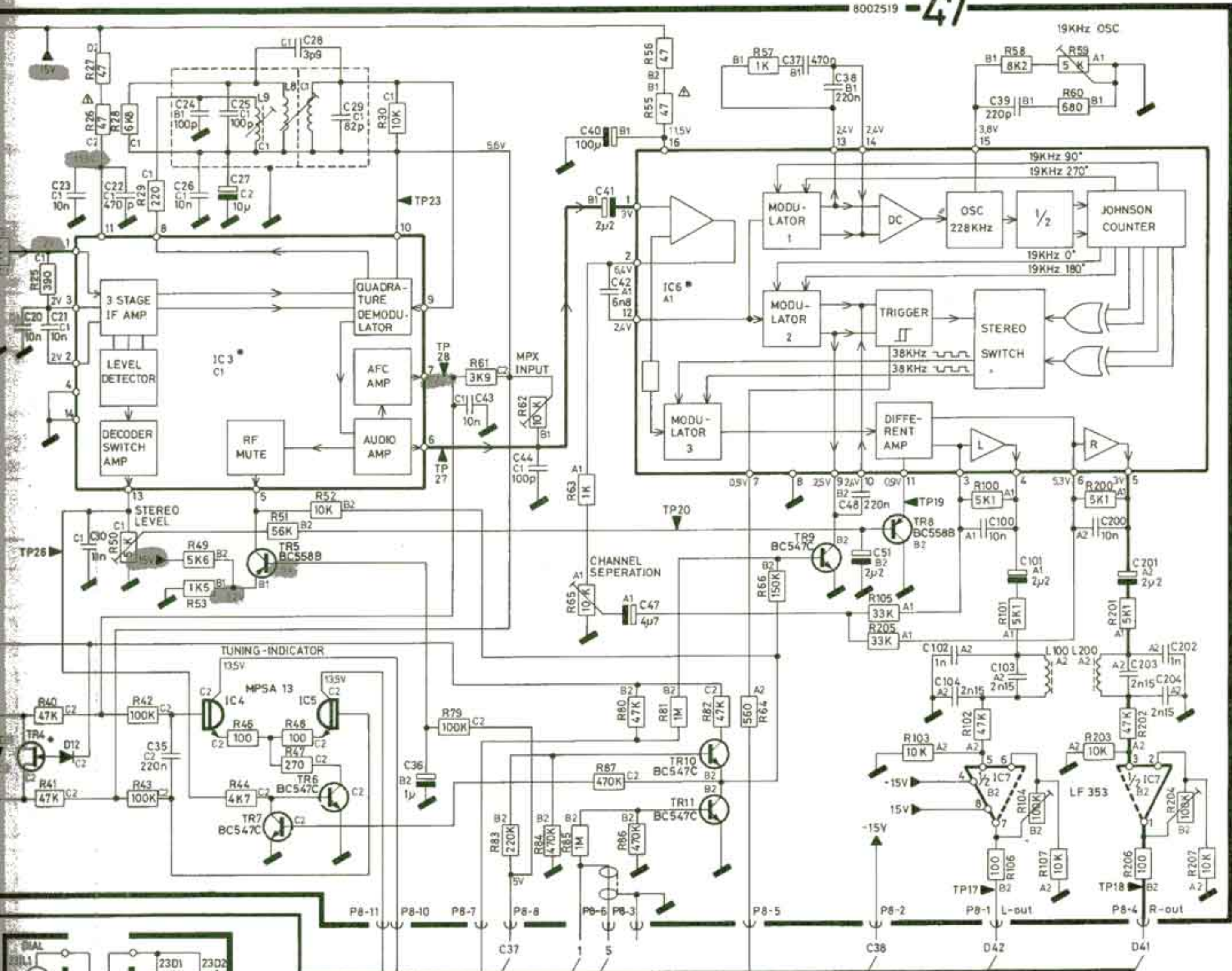
Type 1811

MANUEL d'ENTRETIEN





8002519 -47

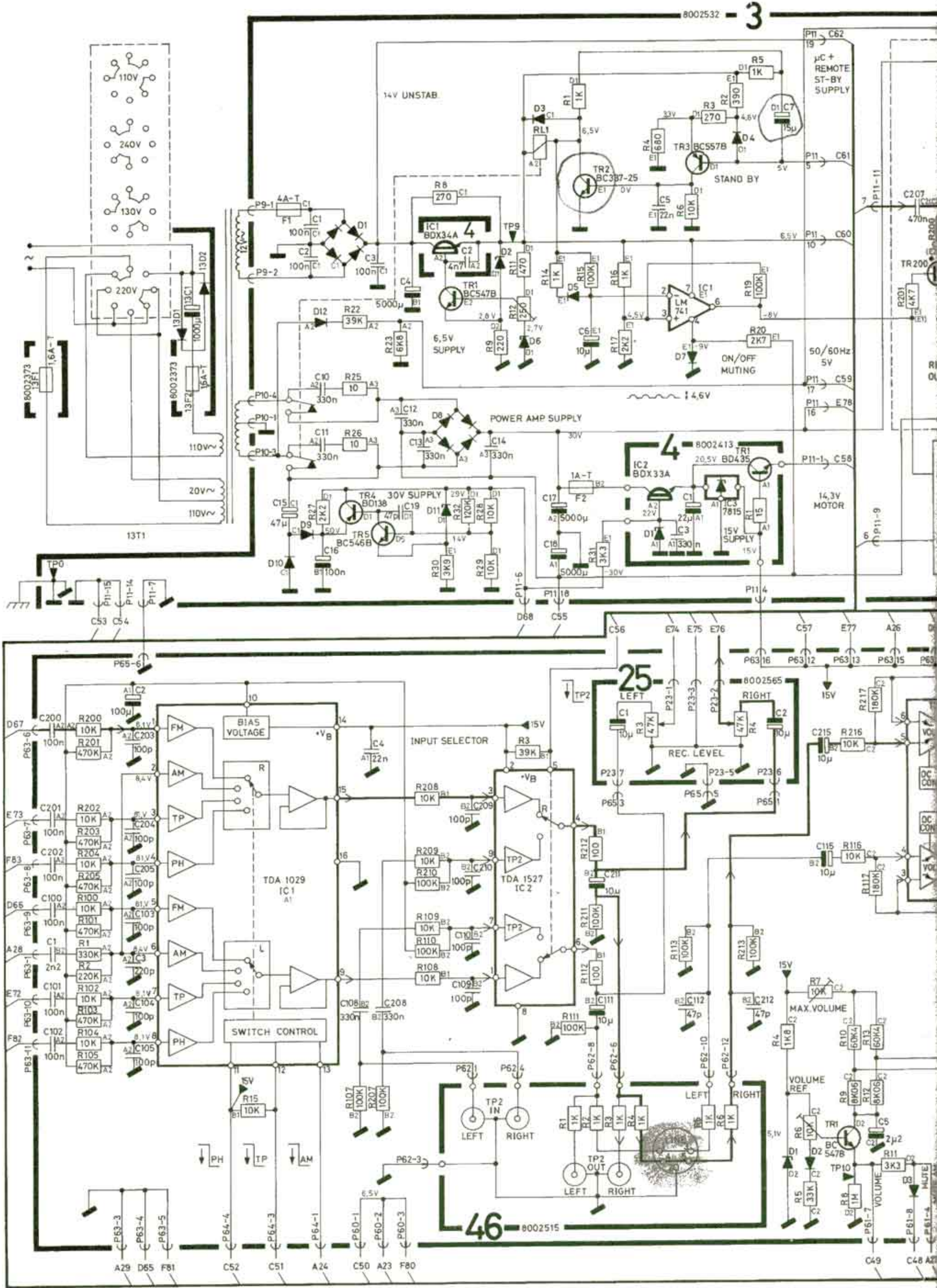


B22 - B29
C31 - C38
D41 - D44
E46

Bang & Olufsen

DIAGRAM B

*new student was
your case sur plaine l'et
en E1 (courant)*



me 42

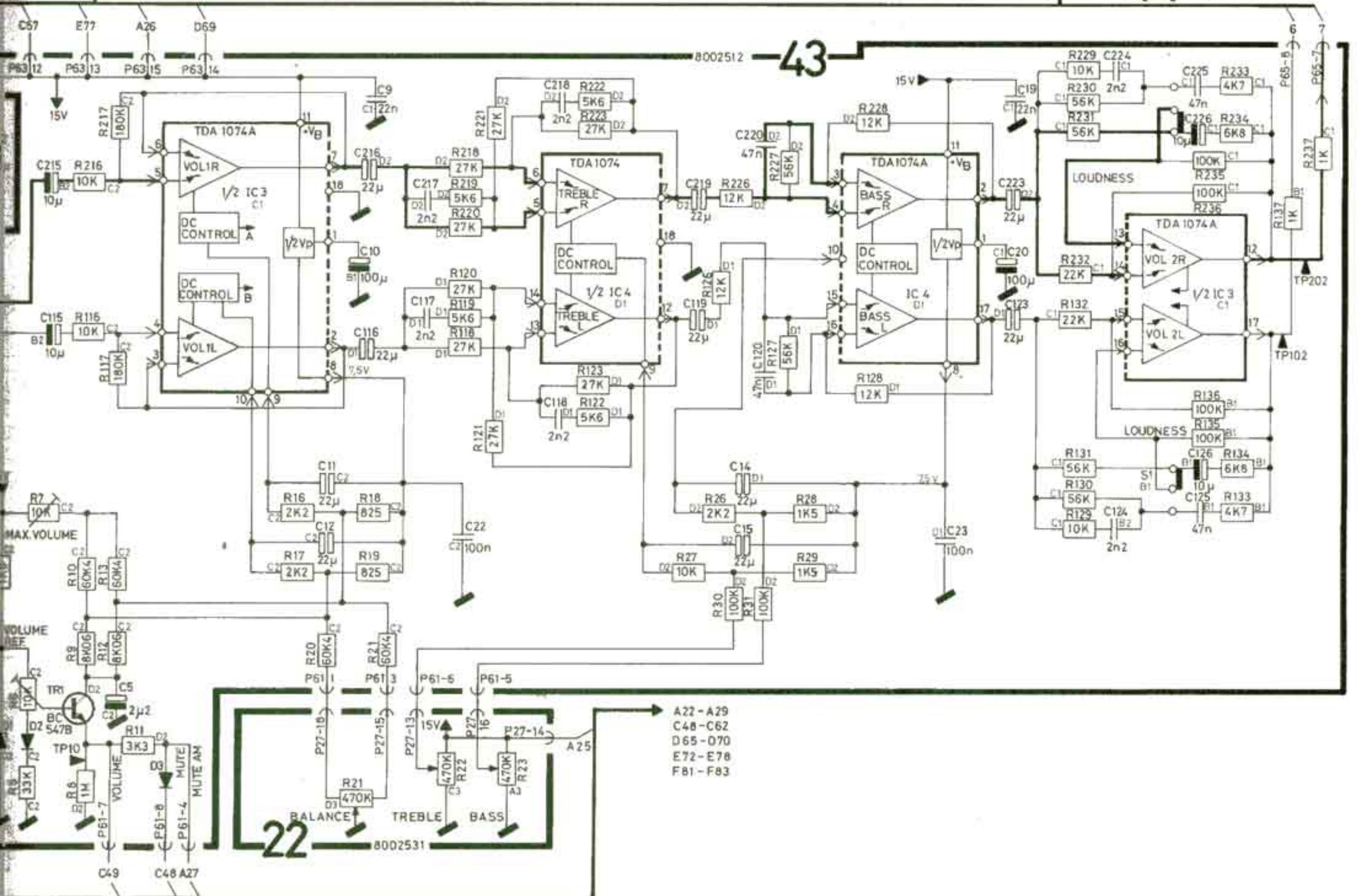
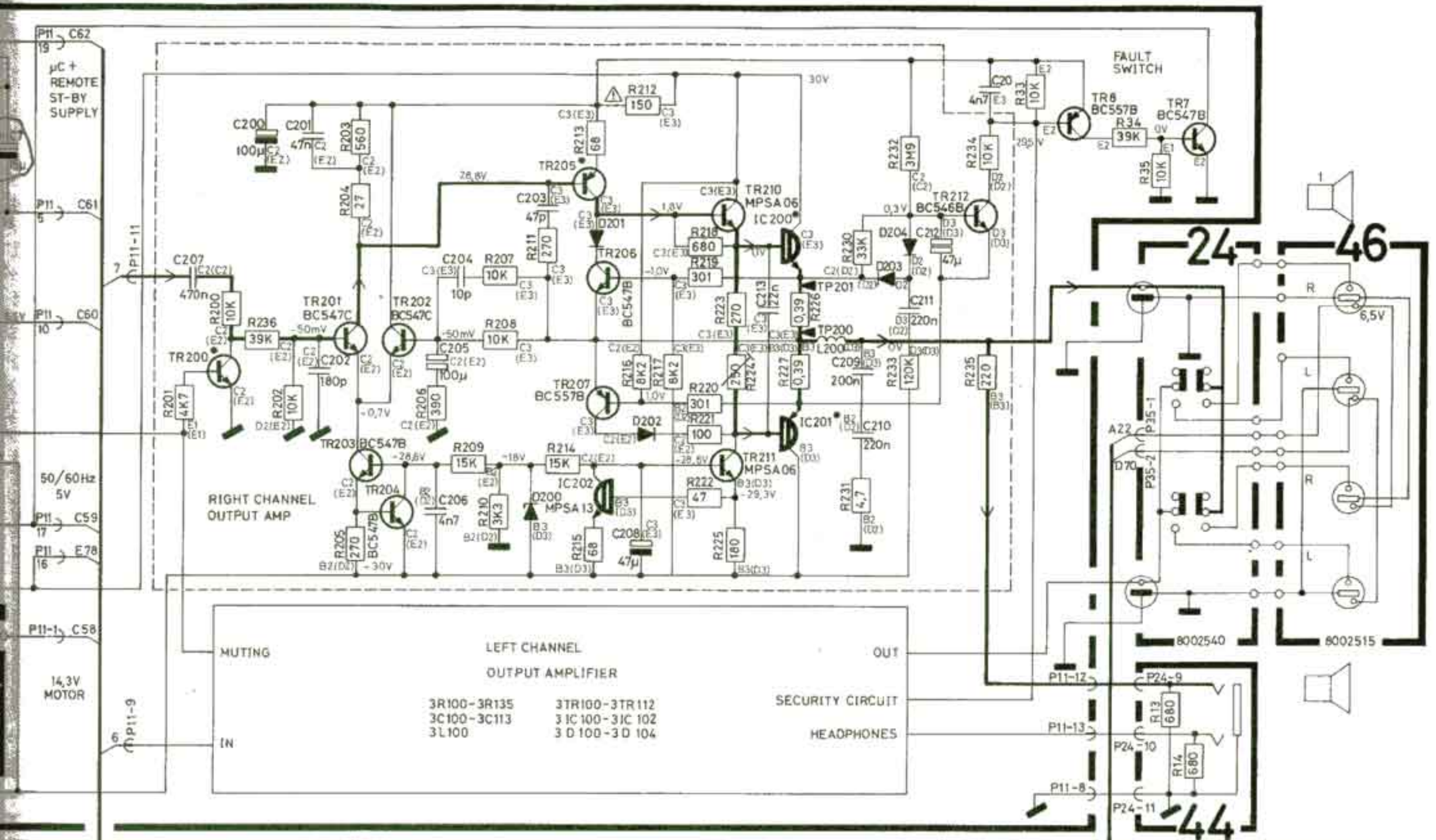
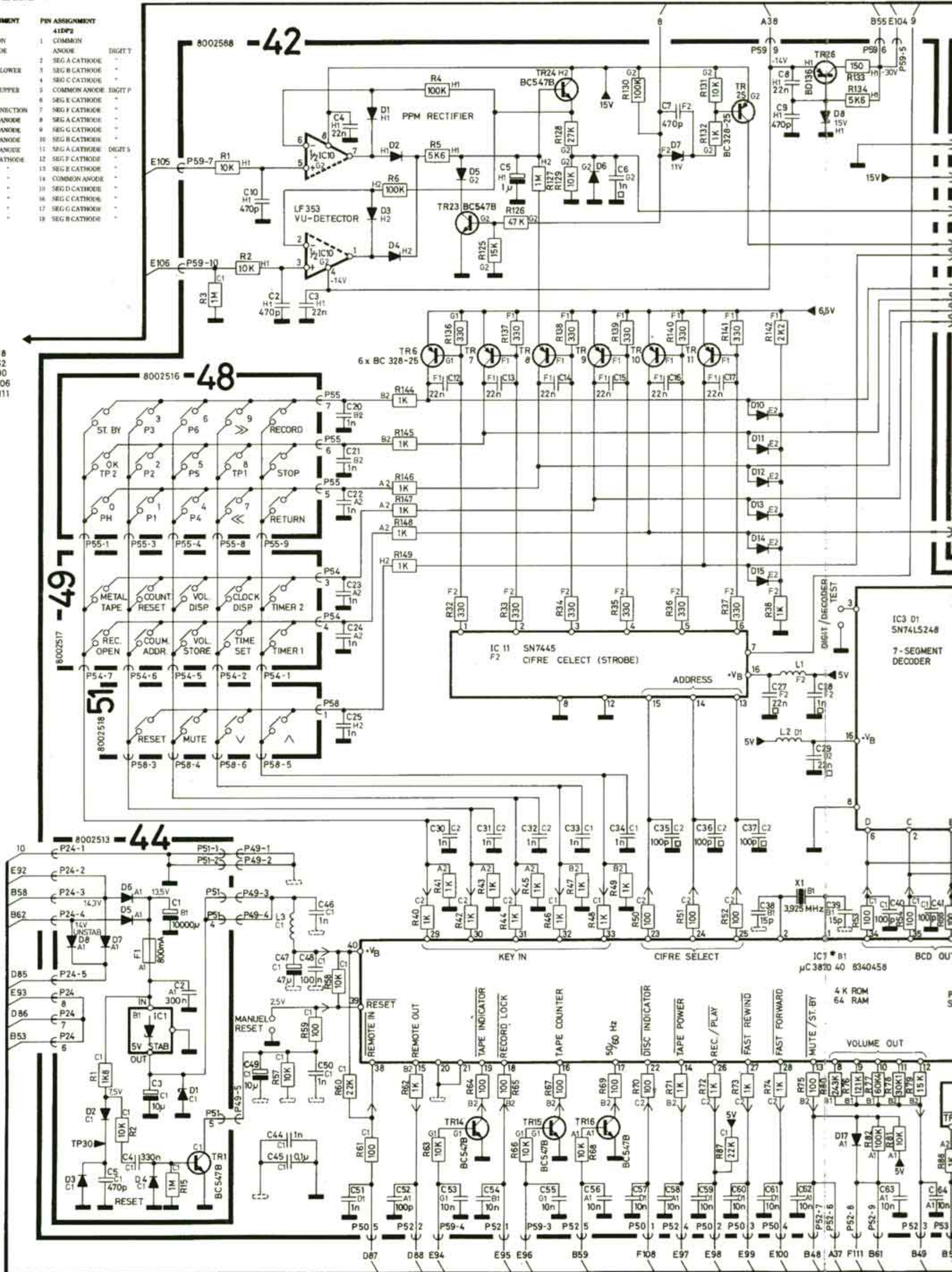


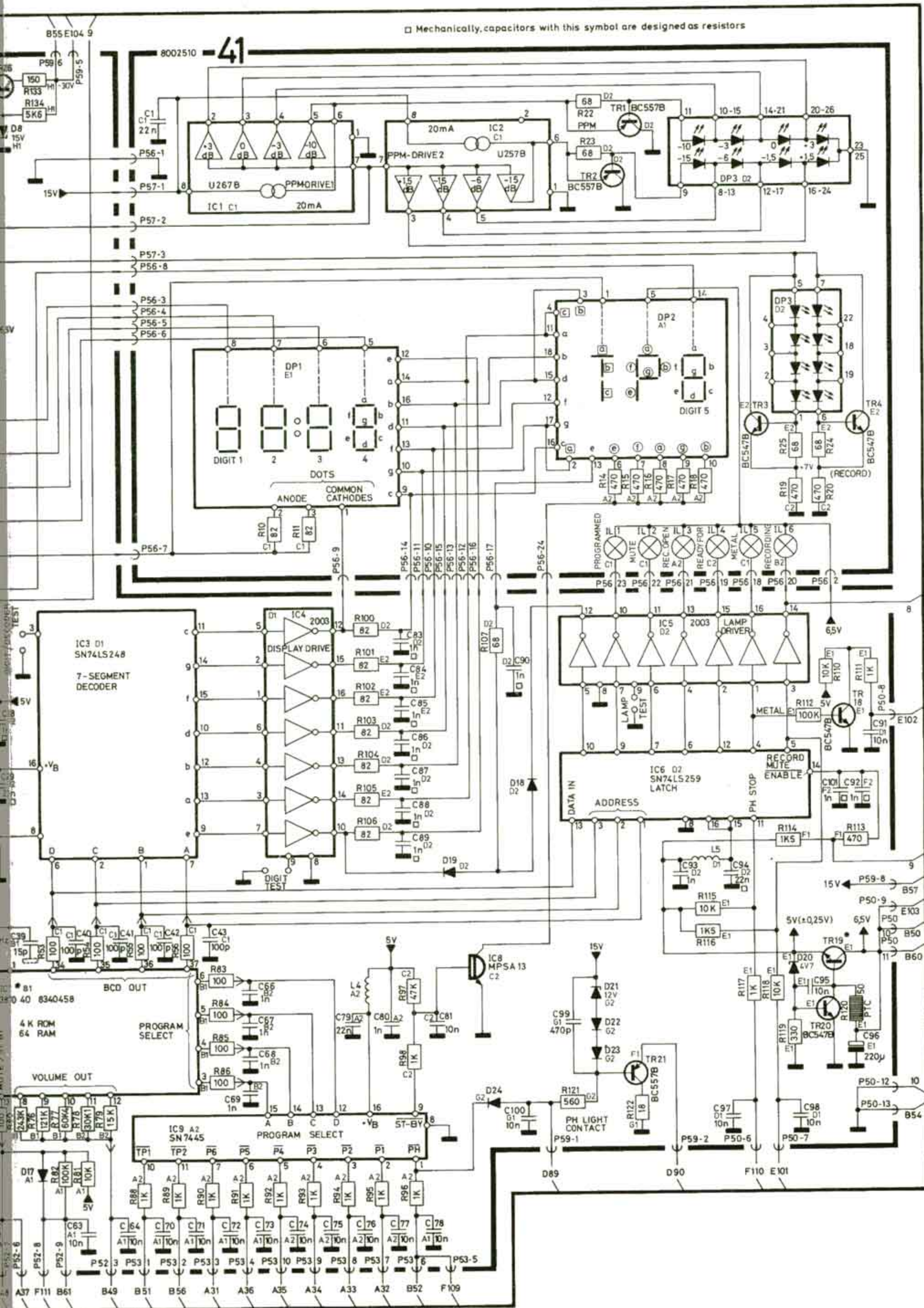
DIAGRAM C

PIN ASSIGNMENT 41DP1		PIN ASSIGNMENT 41DP2	
1	COMMON CATHODE (DIGTS)	1	COMMON ANODE
2	COLON LOWER ANODE	2	SEG A CATHODE
3	COLON UPPER ANODE	3	SEG B CATHODE
4	NO CONNECTION	4	SEG C CATHODE
5	DIGIT 4 ANODE	5	COMMON ANODE (DIGIT P)
6	DIGIT 3 ANODE	6	SEG E CATHODE
7	DIGIT 2 ANODE	7	SEG F CATHODE
8	DIGIT 1 ANODE	8	SEG A CATHODE (DIGIT S)
9	SEG C CATHODE	9	SEG C CATHODE
10	SEG G	10	SEG E CATHODE
11	SEG E	11	COMMON ANODE
12	SEG D	12	SEG D CATHODE
13	SEG F	13	SEG C CATHODE
14	SEG A	14	SEG G CATHODE
15	SEG B	15	SEG B CATHODE

A31 - A38
B48 - B62
D85 - D90
E92 - E106
F108 - F111

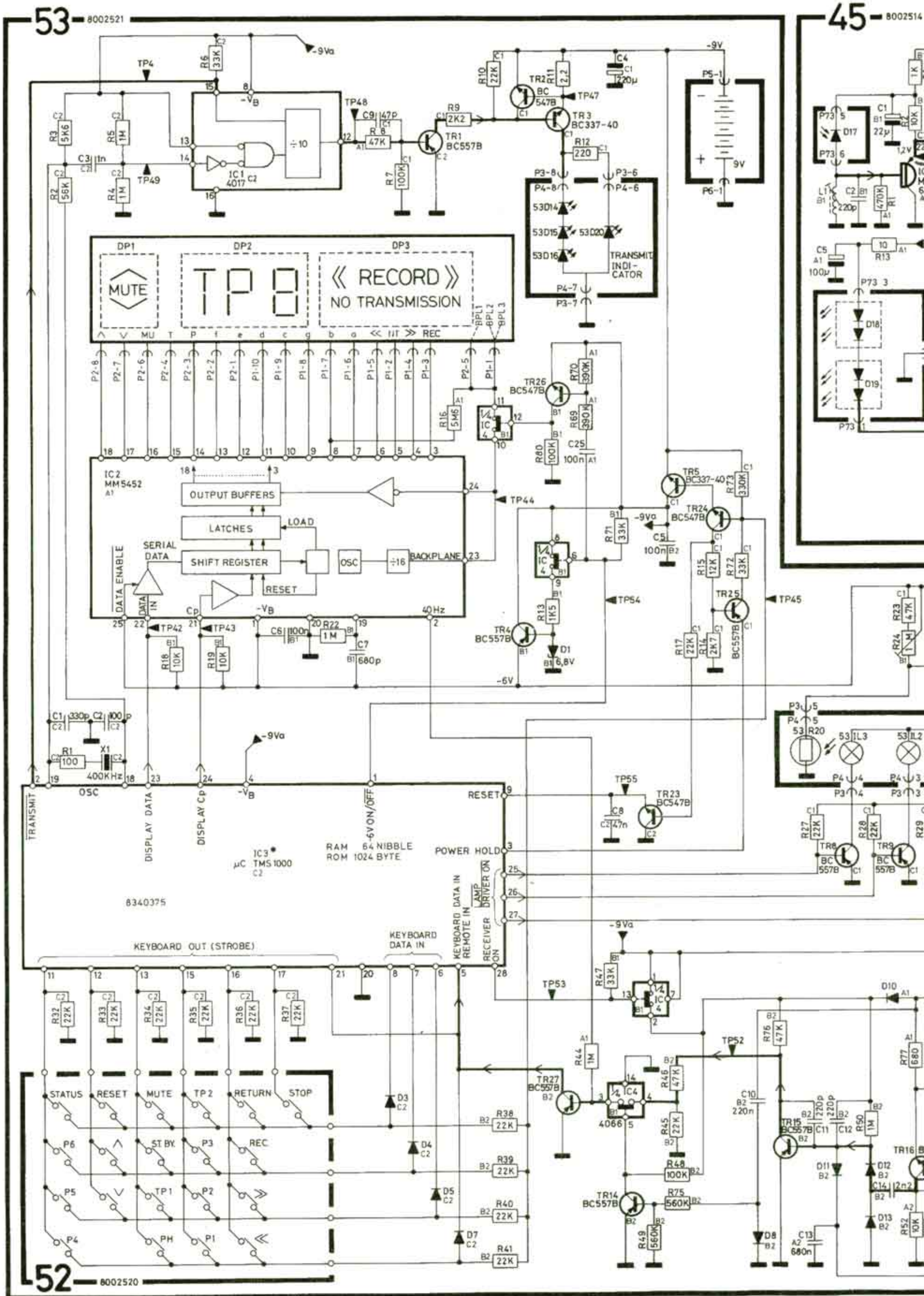


Bang & Olufsen

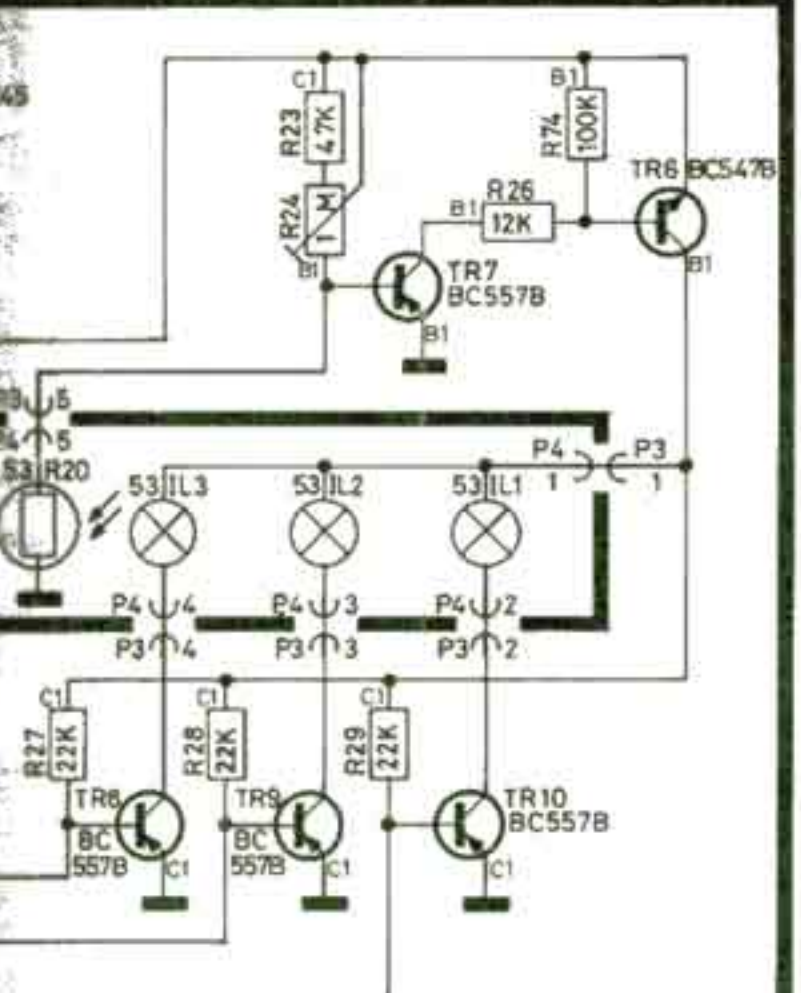
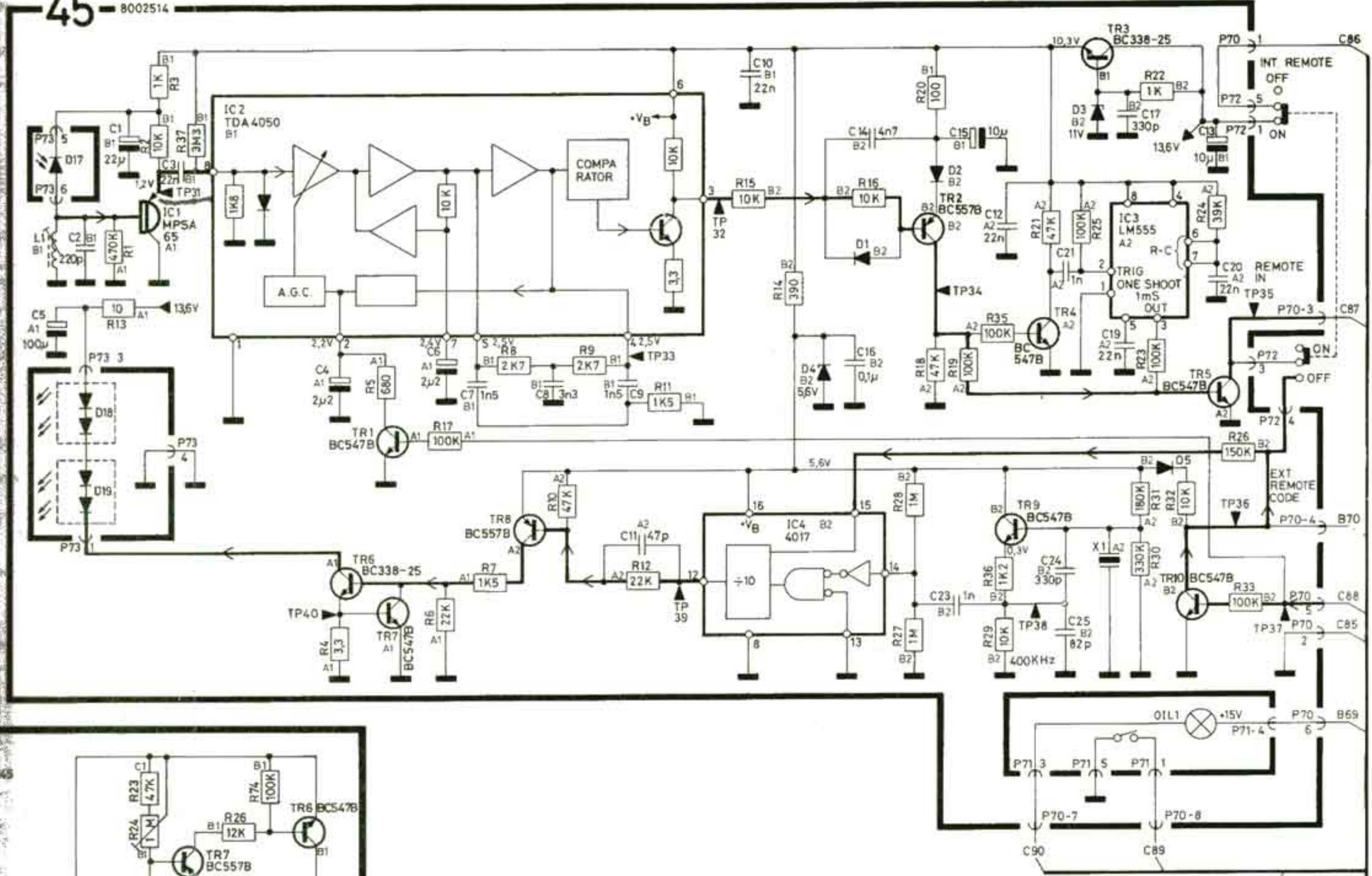


Bang & Olufsen

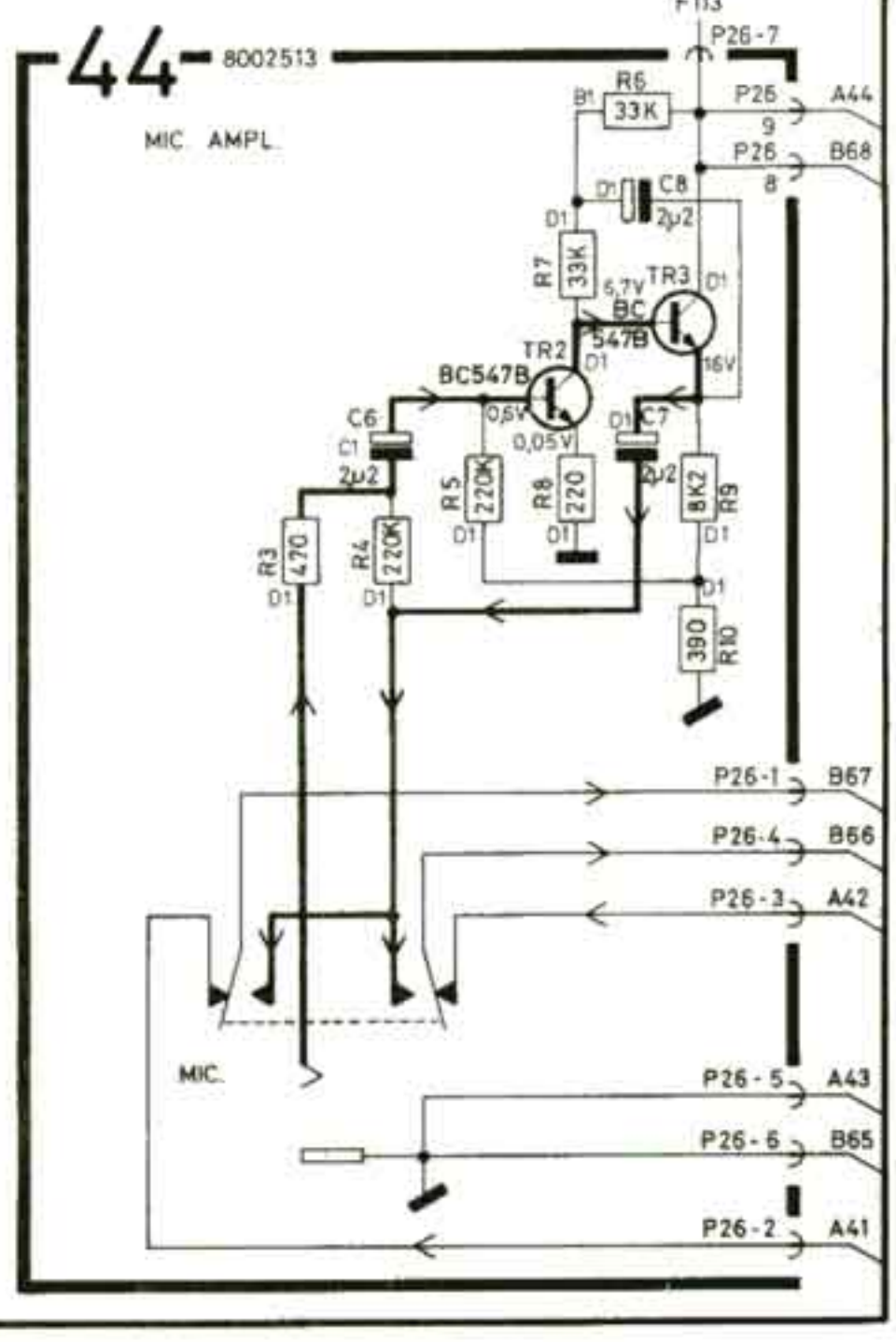
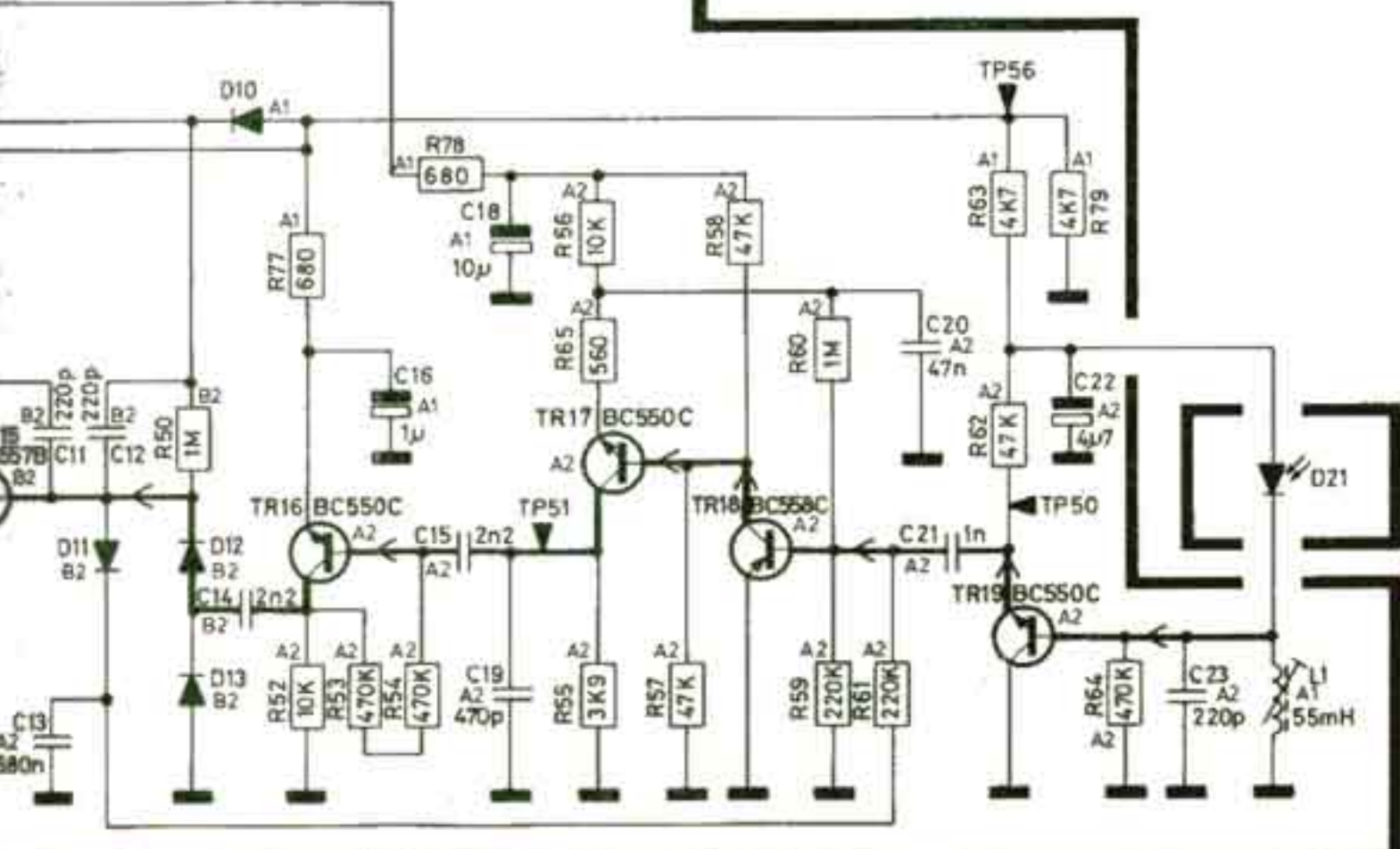
DIAGRAM D



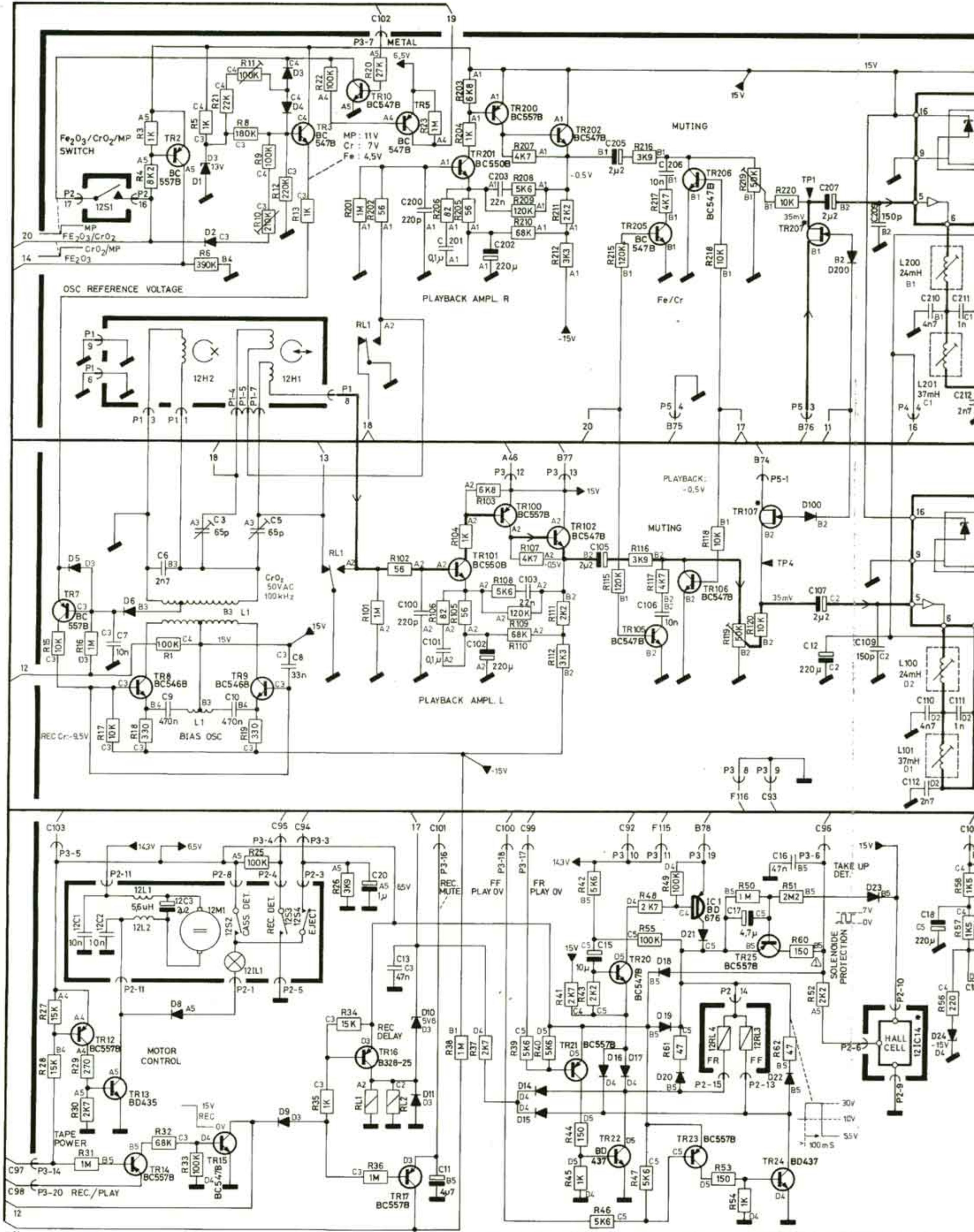
45-8002514



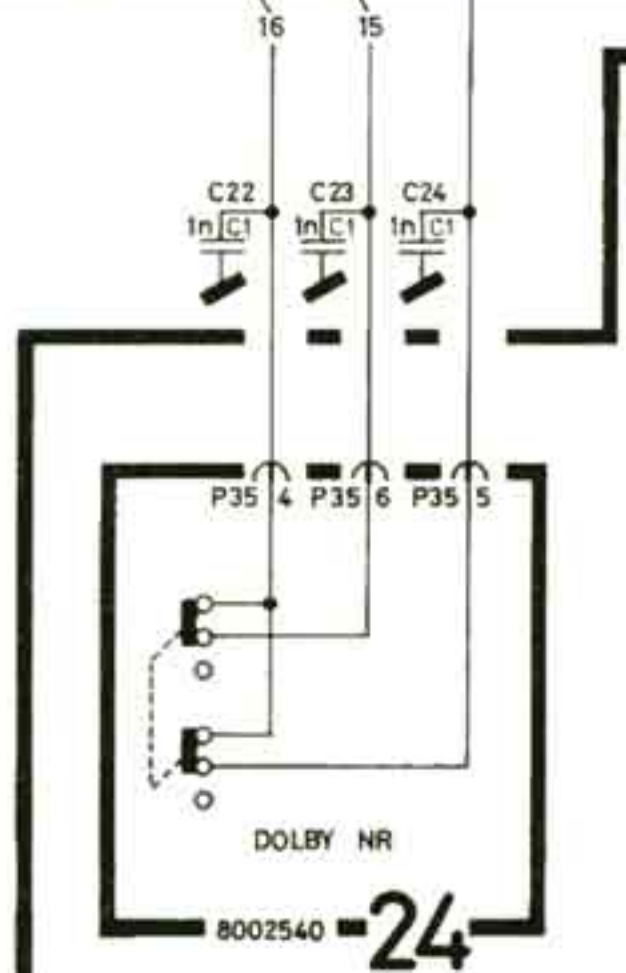
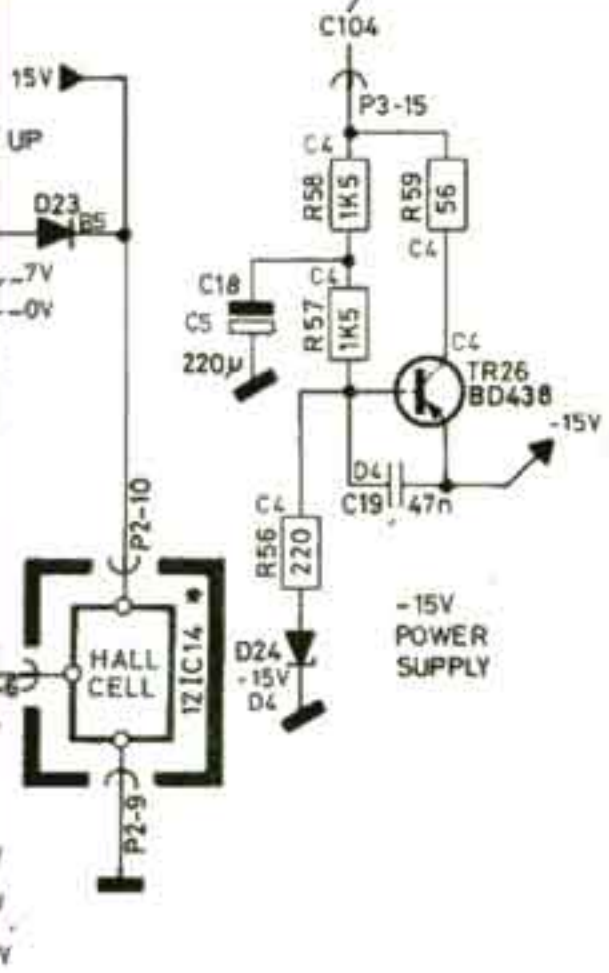
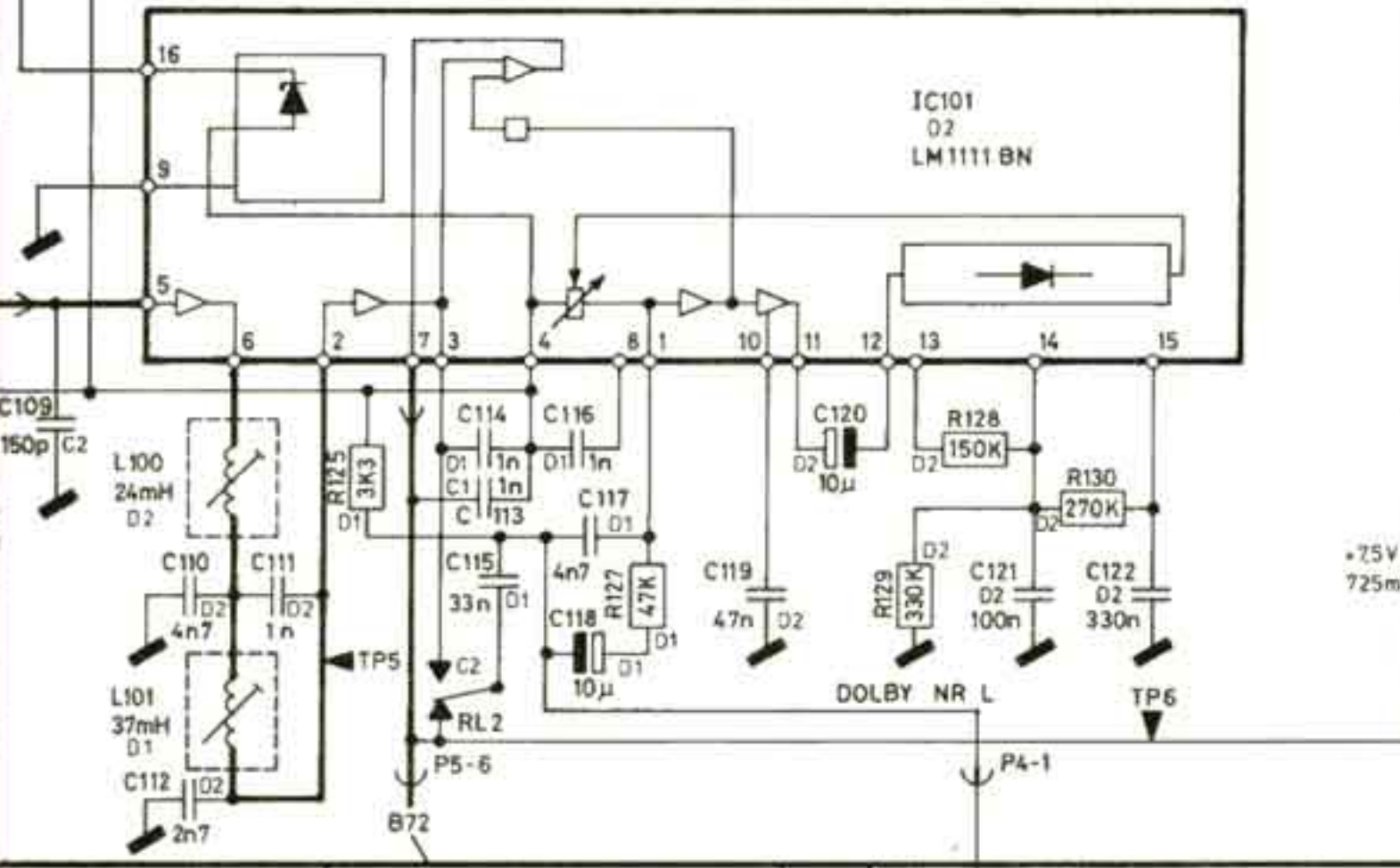
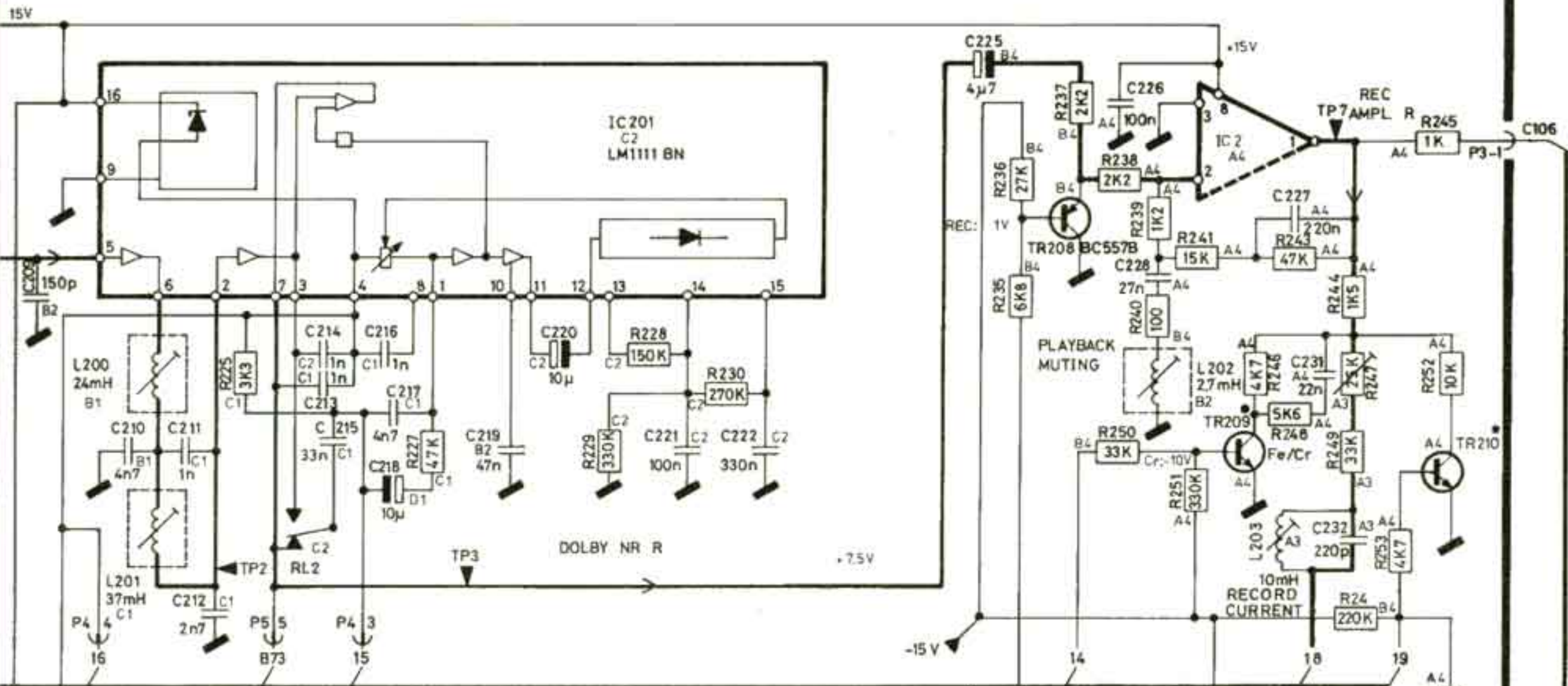
N.B. Module 53 has a negative supply voltage.



A41 - A44
B65 - B70
C85 - C90
F113



8004298 -11



- Switches:
- 12S1 ON₂ Fe O₂ OFF CrO₂-MP
 - 12S2 ON with cass. OFF without cass.
 - 12S3 ON rec.lock OFF rec.
 - 12S4 ON play OFF press eject

FUNCTION TABLE TAPE DECK					
FUNCTION	PLUG AND PINS				
	P3-18	P3-17	P3-14	P3-20	P3-16
>>	0	1	0		
<<	1	0	0		
>	0	0	0	0	
REC	1	1	0	1	
REC	0	0	0	1	1
STOP	1	1	1		
REC WAIT	0	0	0	1	0

Noise reduction system manufactured under license from Dolby Laboratories Licensing Corporation. The word Dolby is a trade mark of Dolby Laboratories Licensing Corporation.

8002540 -24

Bang & Olufsen

DIAGRAM F

8005084 -17

