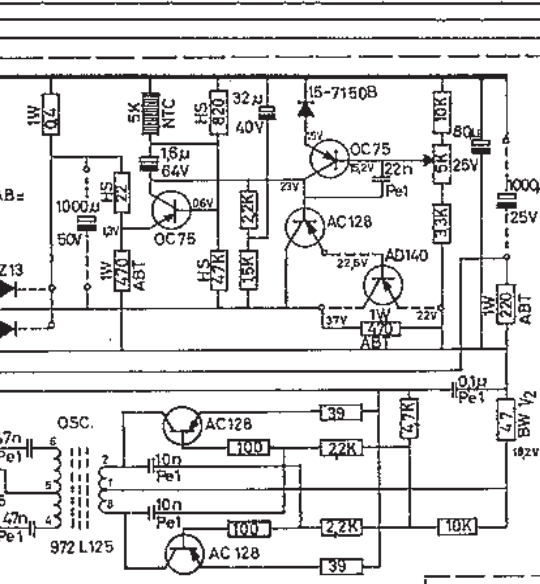
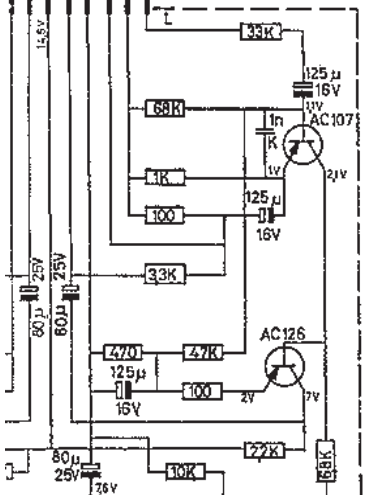
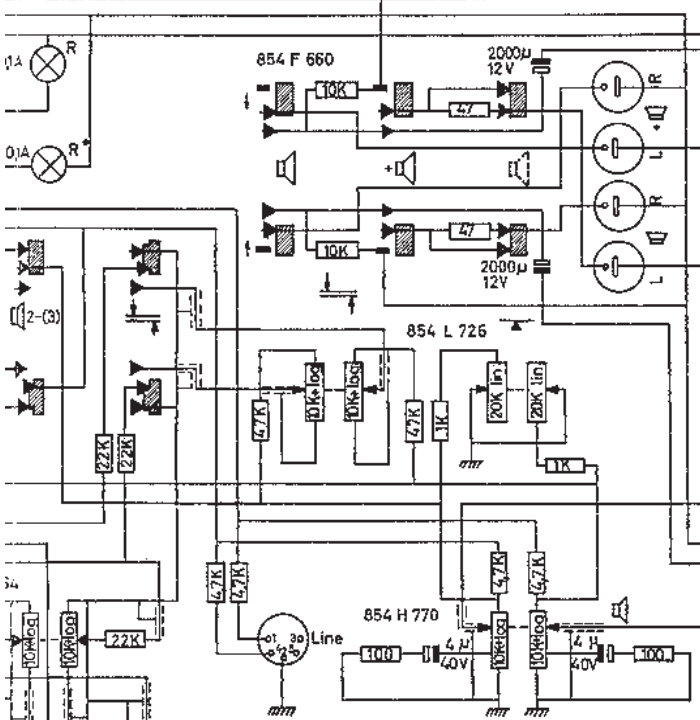
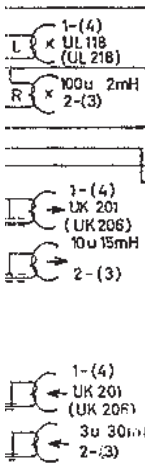


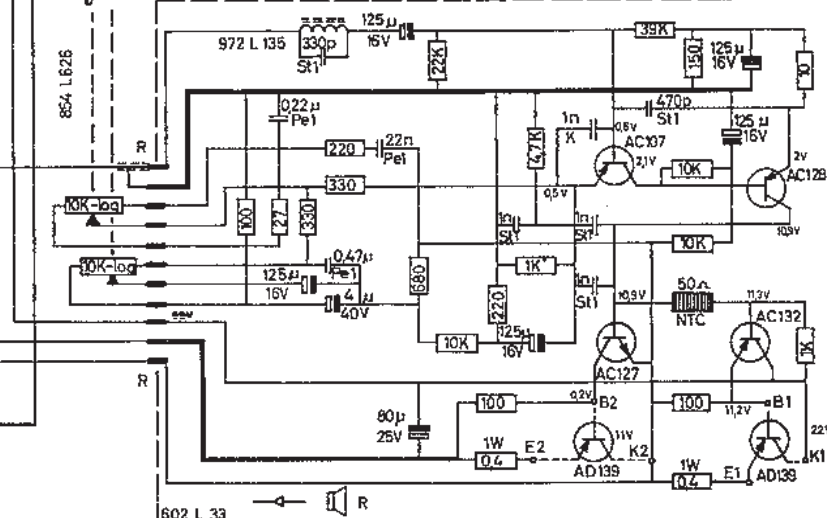
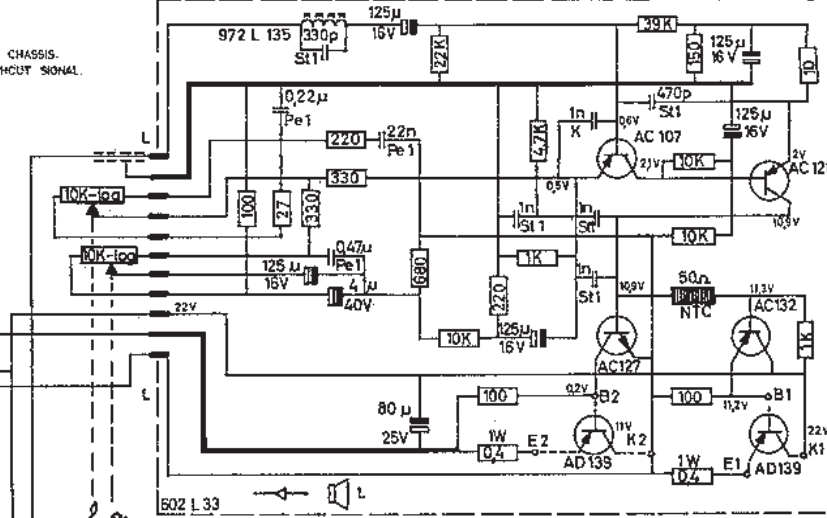
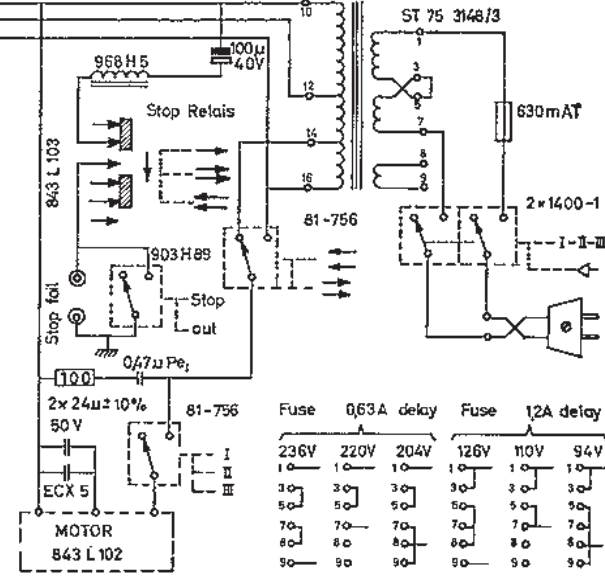


magnetisierungsstrom  
 I  
 magnetisierungsstrom.  
 2G1 = 23 mA  
 2G5 = 2,0 mA



THE VOLTAGES SPECIFIED ARE NEGATIVE WITH RESPECT TO CHASSIS.  
 IF NOTHING ELSE IS STATED, THEY ARE MEASURED WITHOUT SIGNAL.

UL 118 - UK 201 = 1/2 spur, 1/2 track, 1/2 Spur.  
 UL 218 - UK 206 = 1/4 spur, 1/4 track, 1/4 Spur.



RESISTORS WITHOUT DESIGNATION: 0,5W VITROHM, SBT.  
 DESIGNATION: HS BEYSCHLAG OR ROSENTHAL  
 K CERAMIC CONDENSER (HIGH K)  
 CAPACITORS: ST 1 STYROFLEX 125V=  
 ST 5 500V=  
 Pe 1 POLYESTER 125V=

[www.geocities.com/chopin.i](http://www.geocities.com/chopin.i)  
 thanks to Miguel Agerkop

# BEOCORD 2000