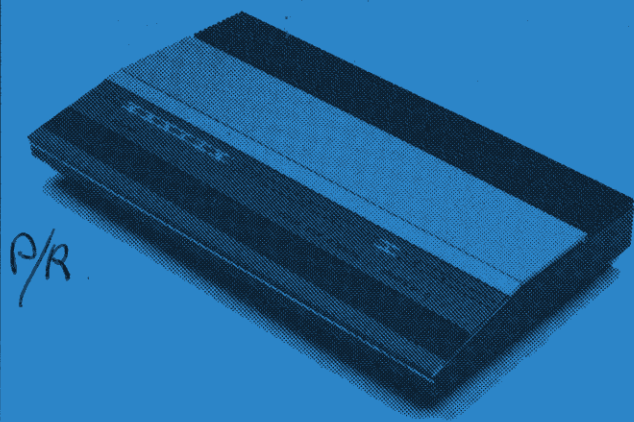


Bang & Olufsen

*Mauvaise position de la tête
en lecture - régler les pincers
de chaque côté de la tête*



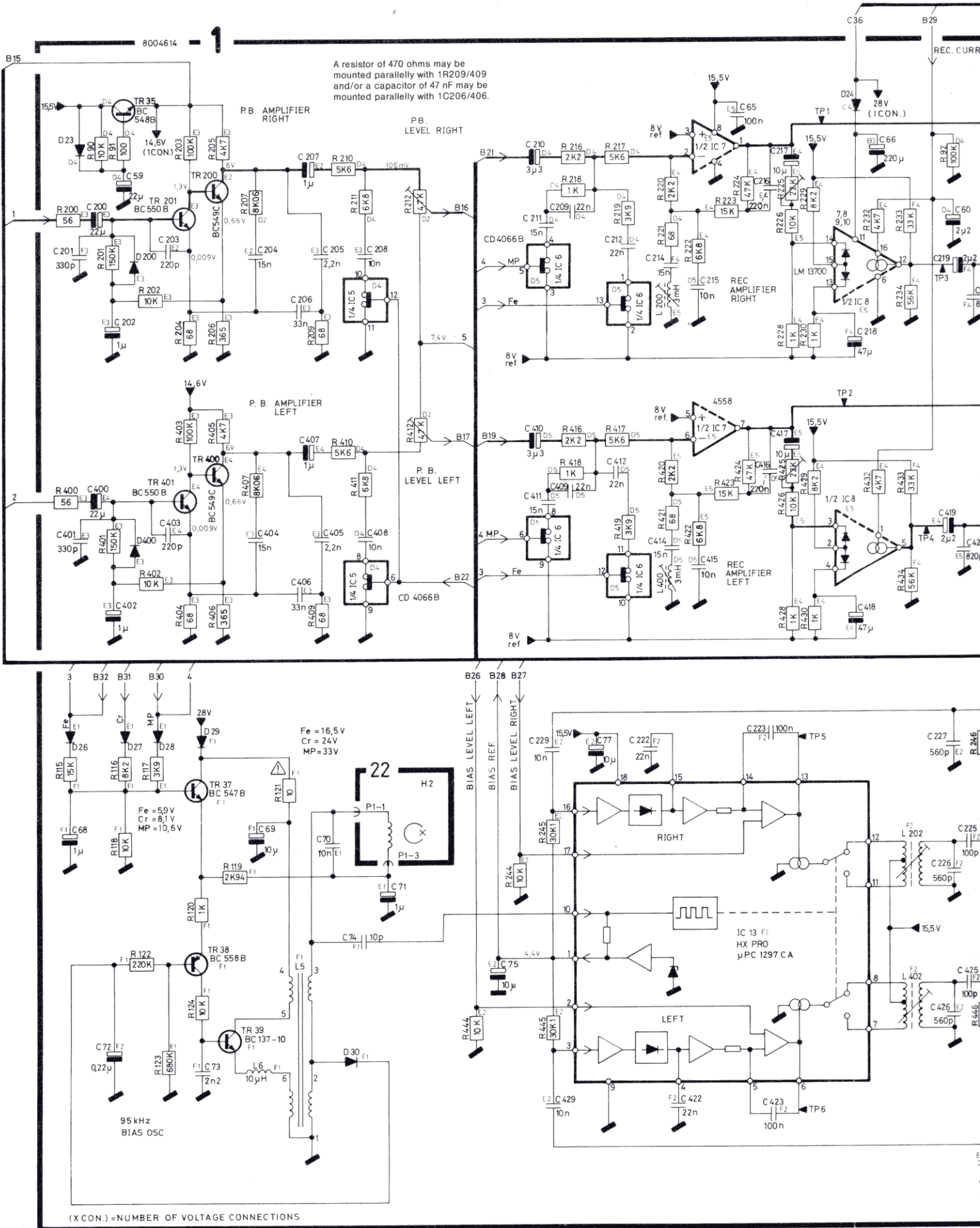
Beocord 3300

Type 2941, 2942, 2943, 2945

SERVICEANLEITUNG/
MANUEL d'ENTRETIEN



DIAGRAM A (Bias Osc., P.B. Ampl., Rec. Ampl., HX PRO)



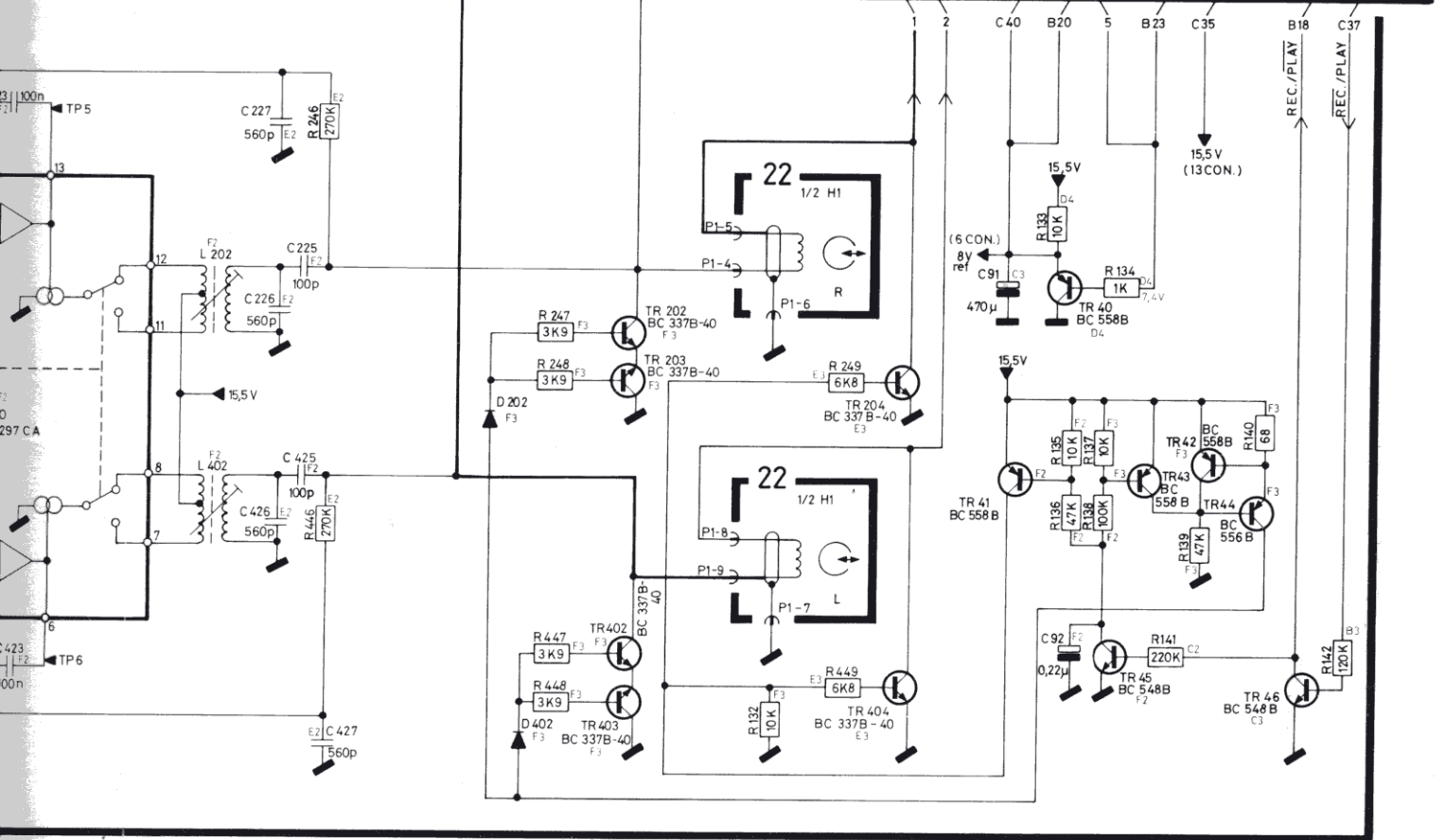
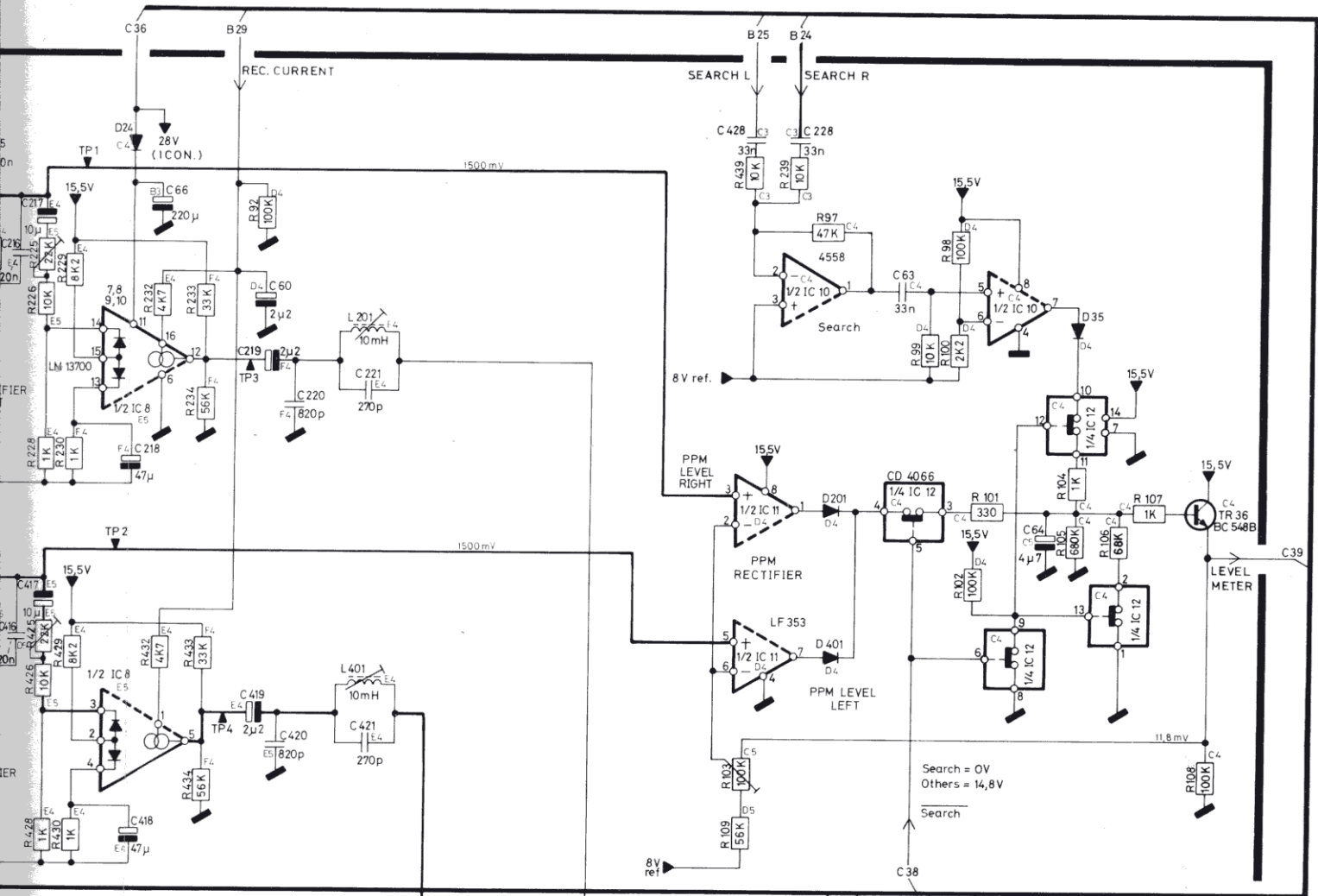
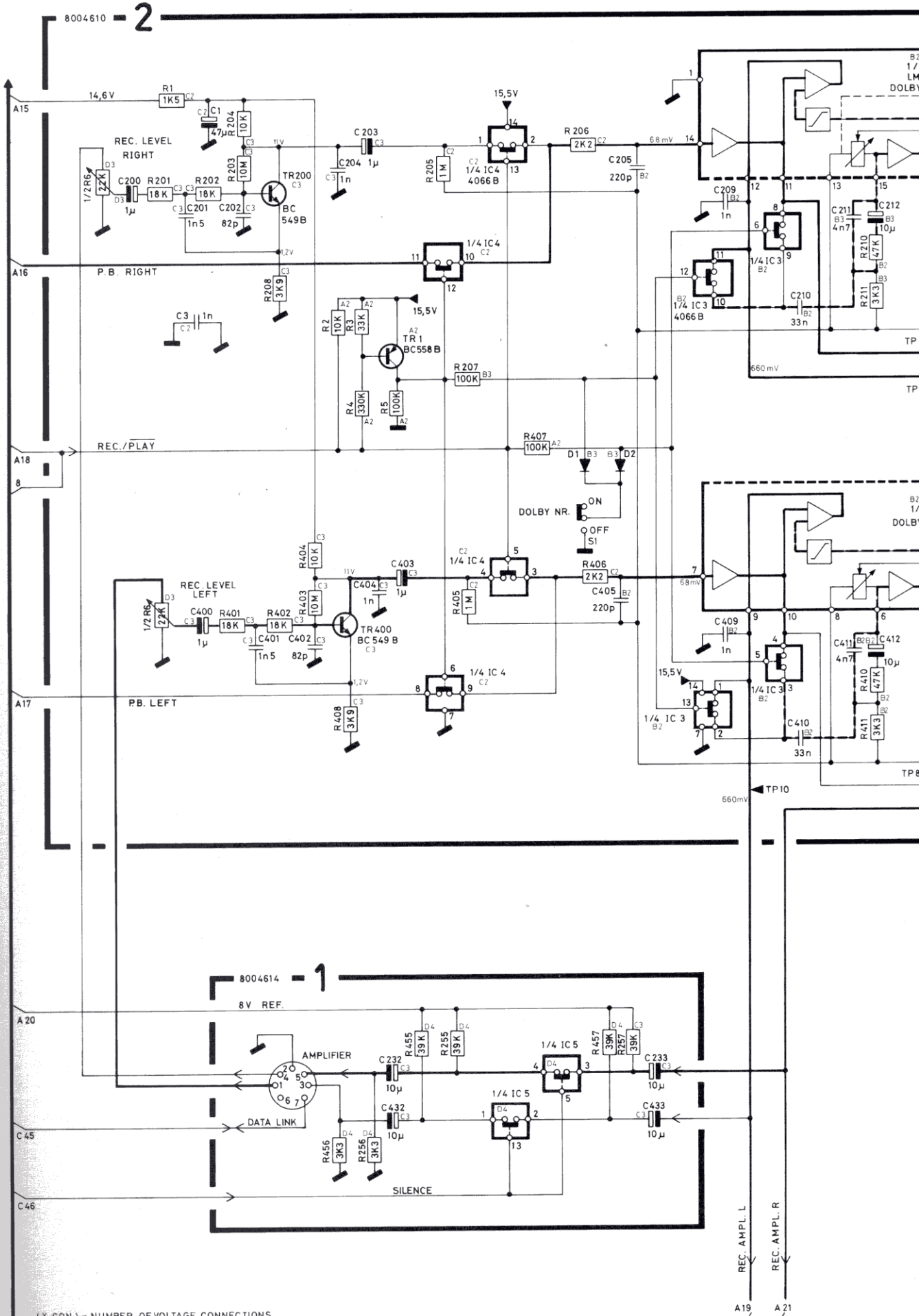
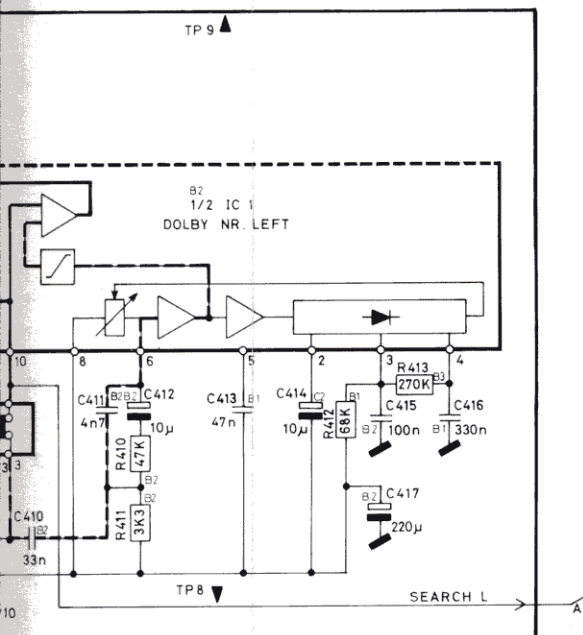
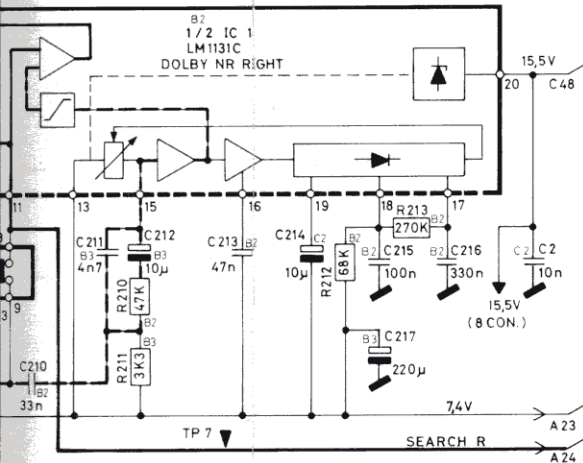
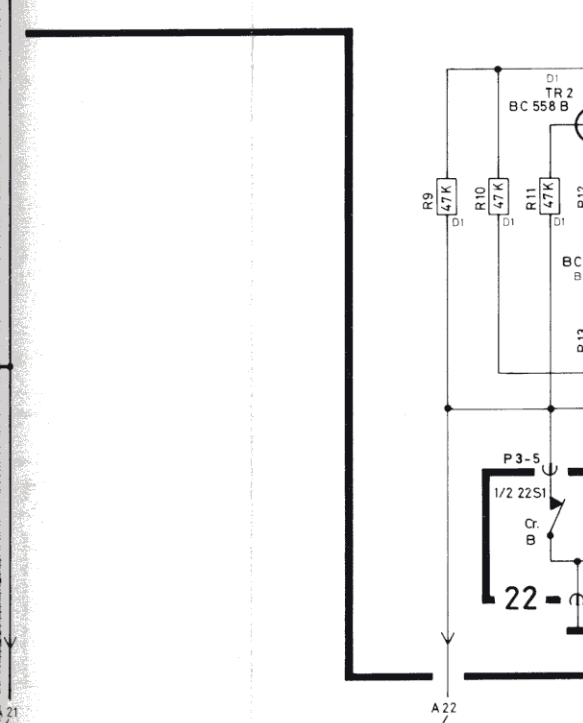


DIAGRAM B (Rec. Level, Dolby NR B)





Noise reduction system manufactured under license from Dolby Laboratories Licensing Corporation. The word Dolby is a trade mark of Dolby Laboratories Licensing Corporation.



S1	S2
Fe ON	ON
Cr OFF	ON
MP OFF	OFF

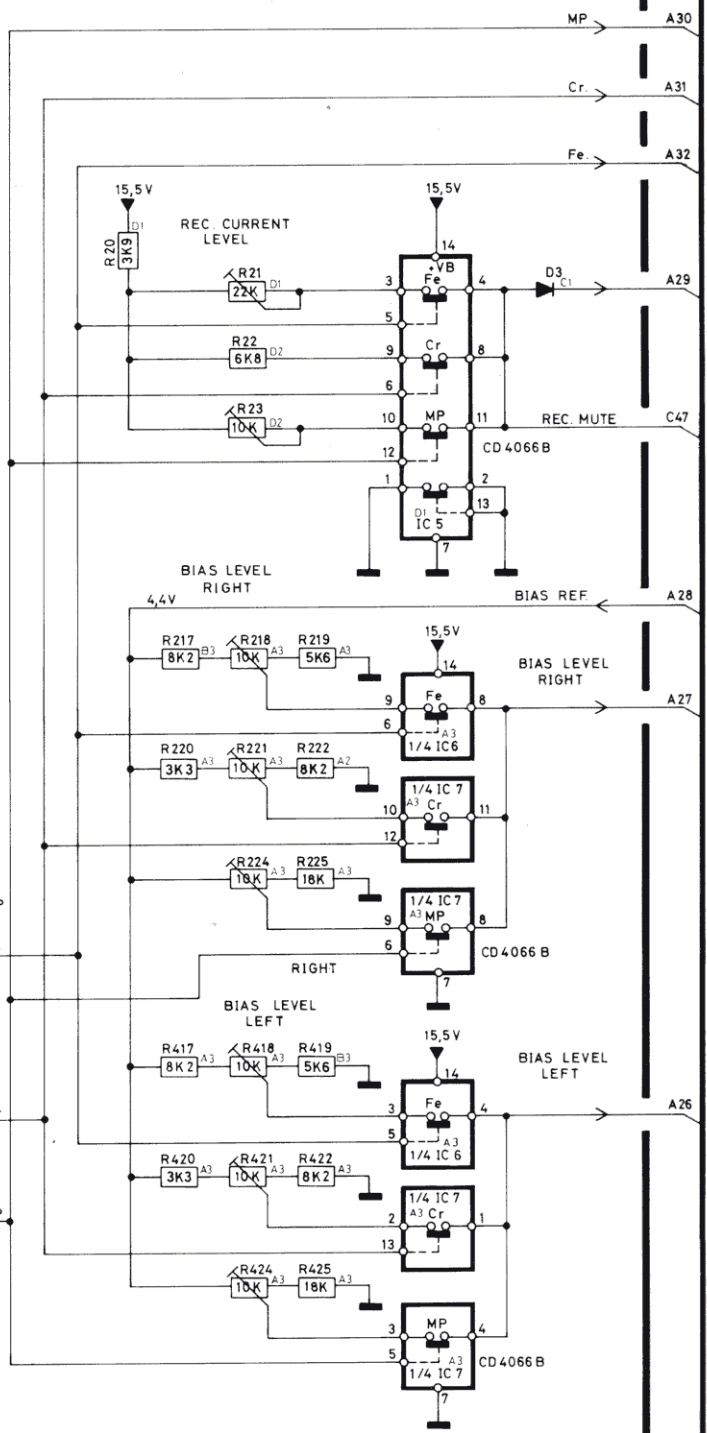
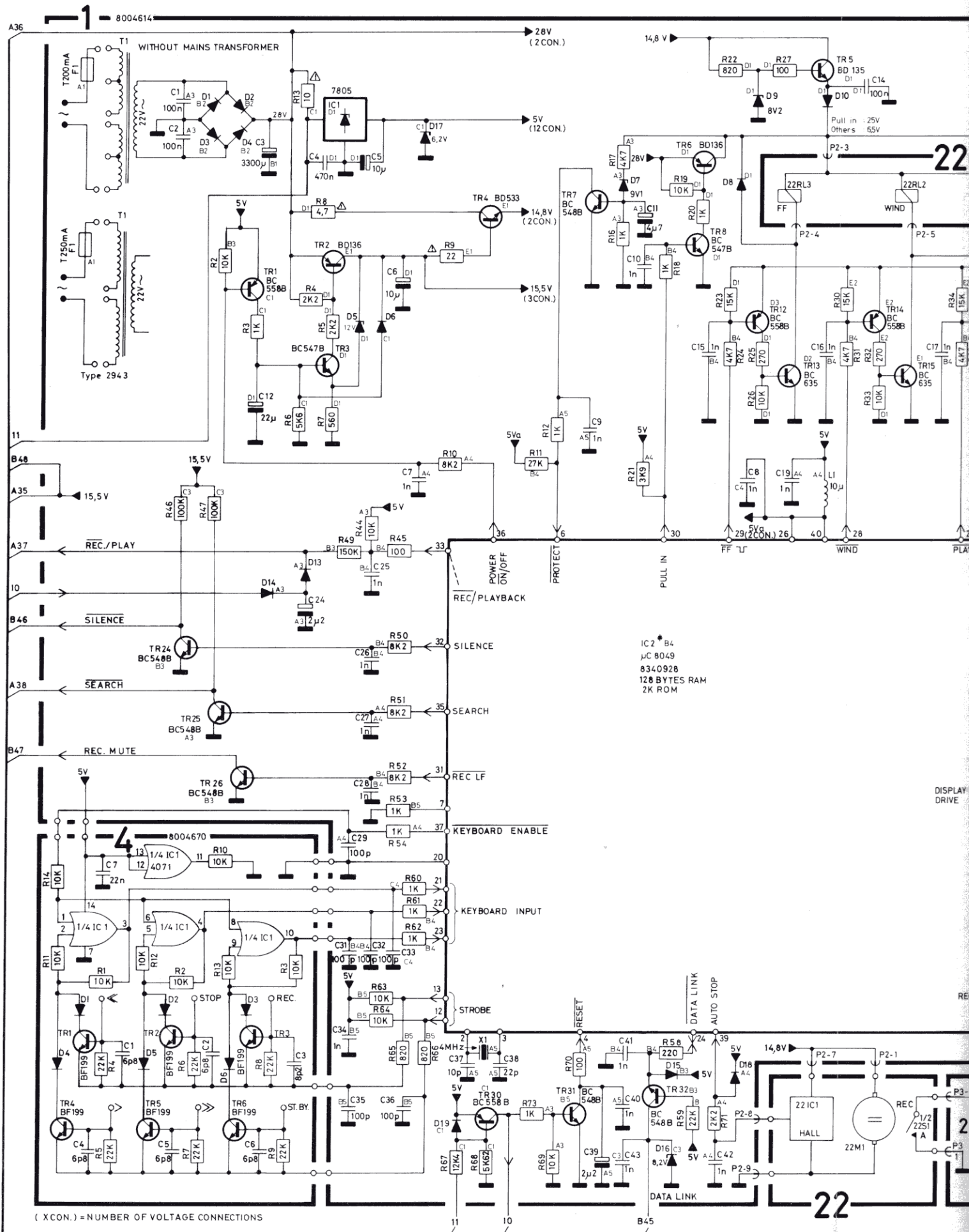
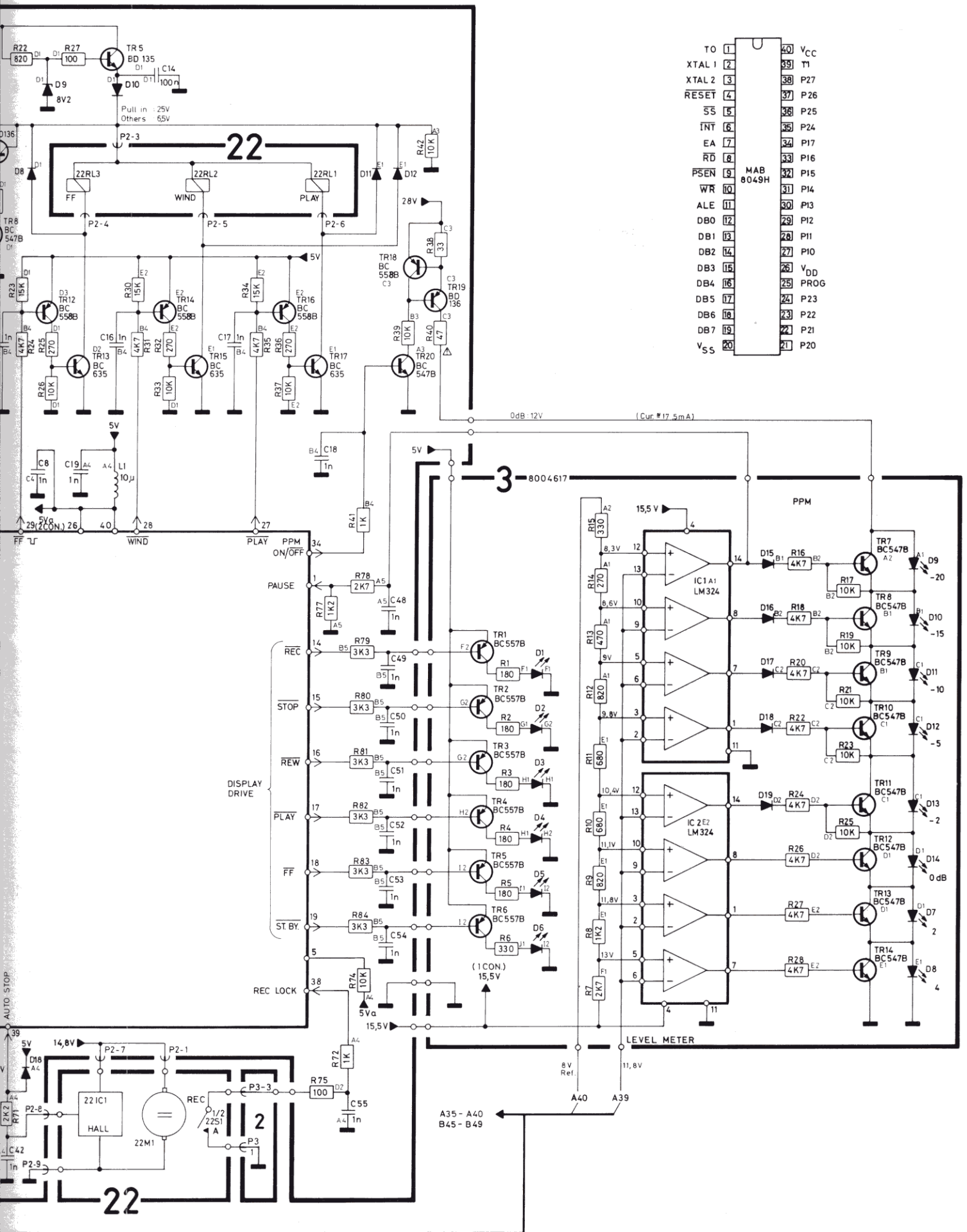


DIAGRAM C (Control Circuits, Power Supply, Display)





TO	1	40	V _{CC}
XTAL 1	2	39	T1
XTAL 2	3	38	P27
RESET	4	37	P26
S5	5	36	P25
INT	6	35	P24
EA	7	34	P17
RD	8	33	P16
PSEN	9	32	P15
WR	10	31	P14
ALE	11	30	P13
DB0	12	29	P12
DB1	13	28	P11
DB2	14	27	P10
DB3	15	26	V _{DD}
DB4	16	25	PROG
DB5	17	24	P23
DB6	18	23	P22
DB7	19	22	P21
V _{SS}	20	21	P20

A35 - A40
B45 - B49