

Bang & Olufsen

Tape Deck Version II

Beocord 3500/4500

Tape Deck Version II

Beocord 3500/4500

Indklæbes i Serviceanvisningen Beocord 4500 (3538714/3538713)
Paste into Service Manual Beocord 4500 (3538714/3538713)
In Serviceanleitung Beocord 4500 (3538714/3538713) einkleben
A coller le Manual d'entretien pour Beocord 4500 (3538714/3538713)

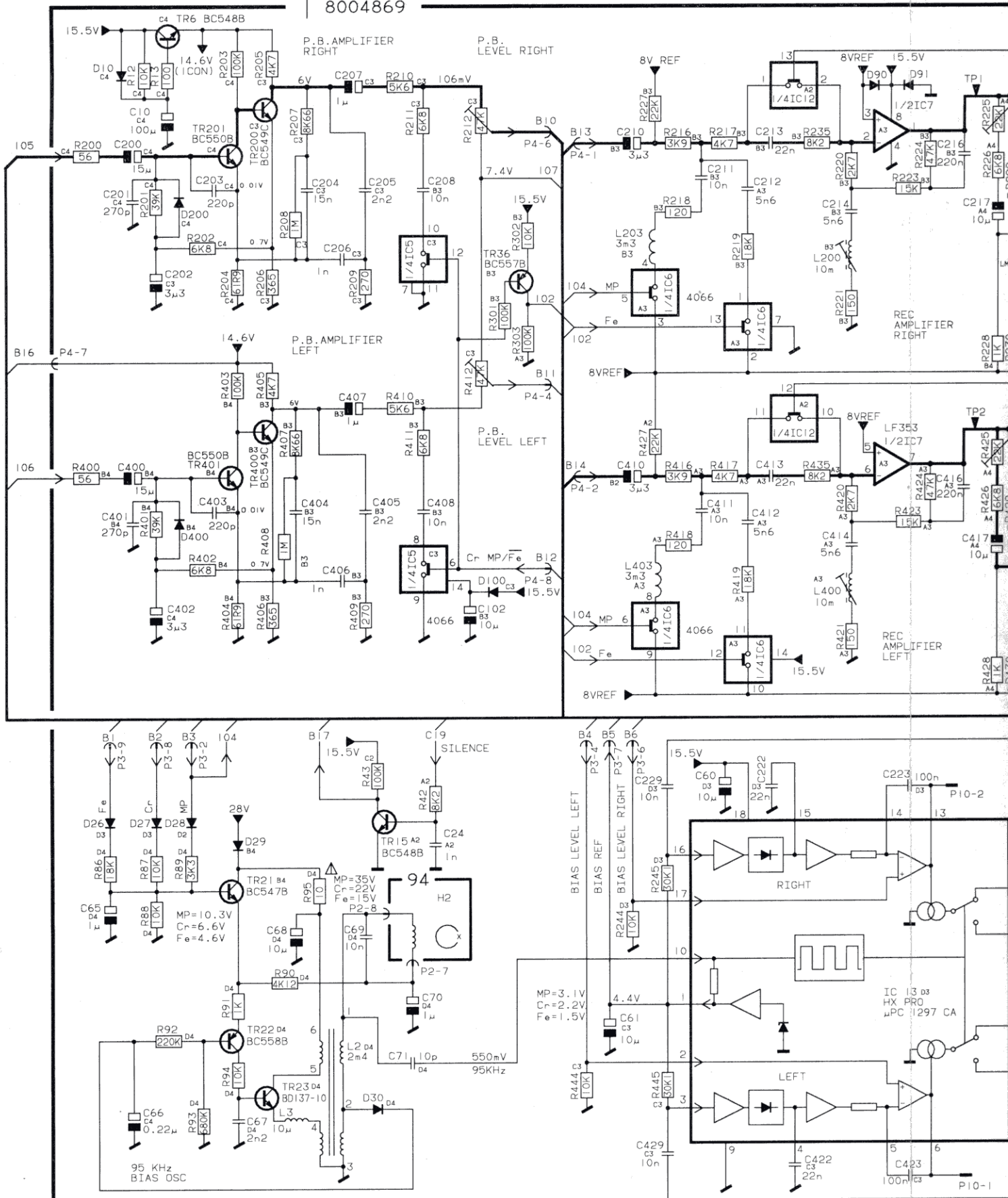
3538772

5-91



DIAGRAM A (AF and Control)

8004869



(XCON.) = NUMBER OF VOLTAGE CONNECTIONS

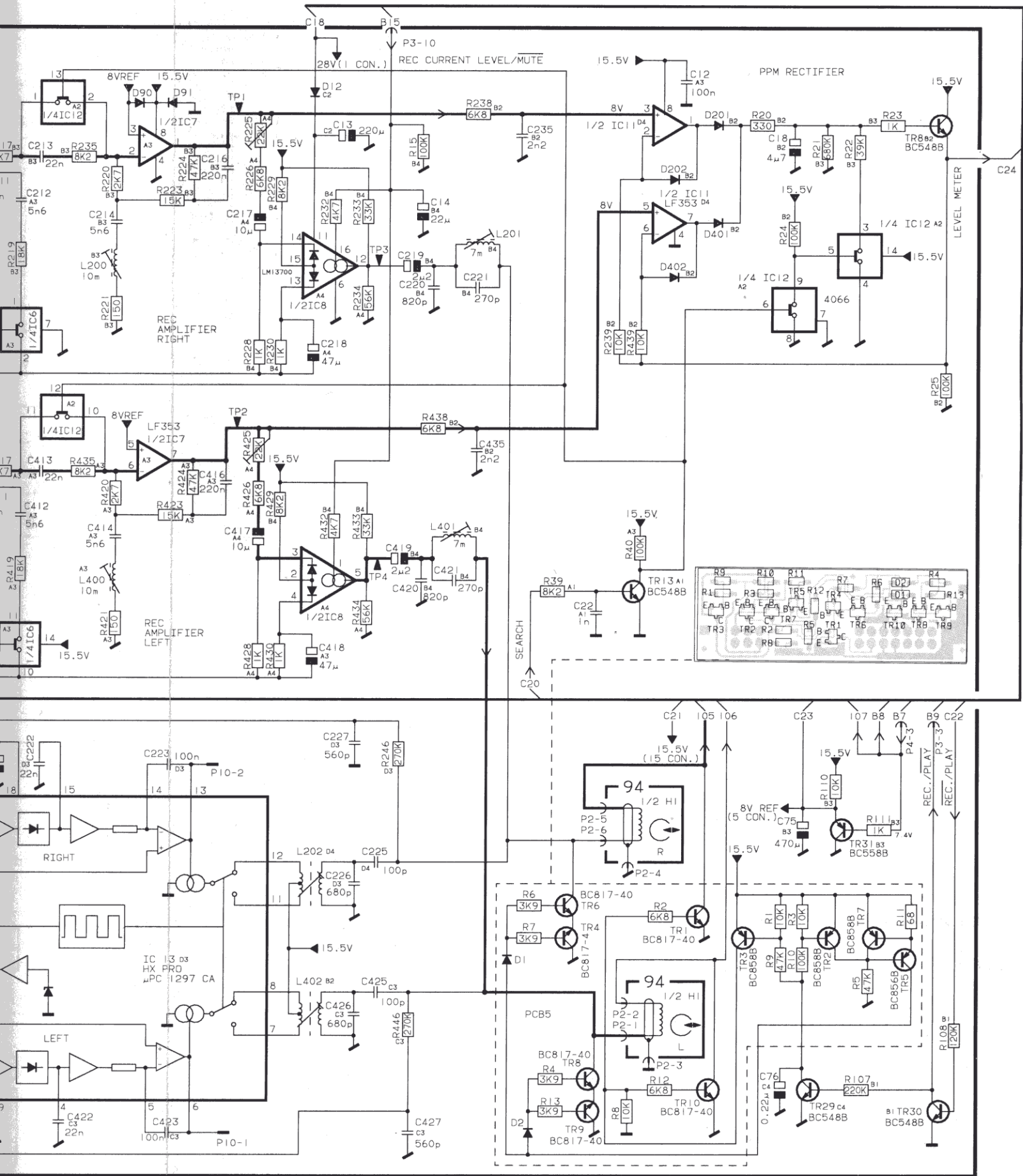
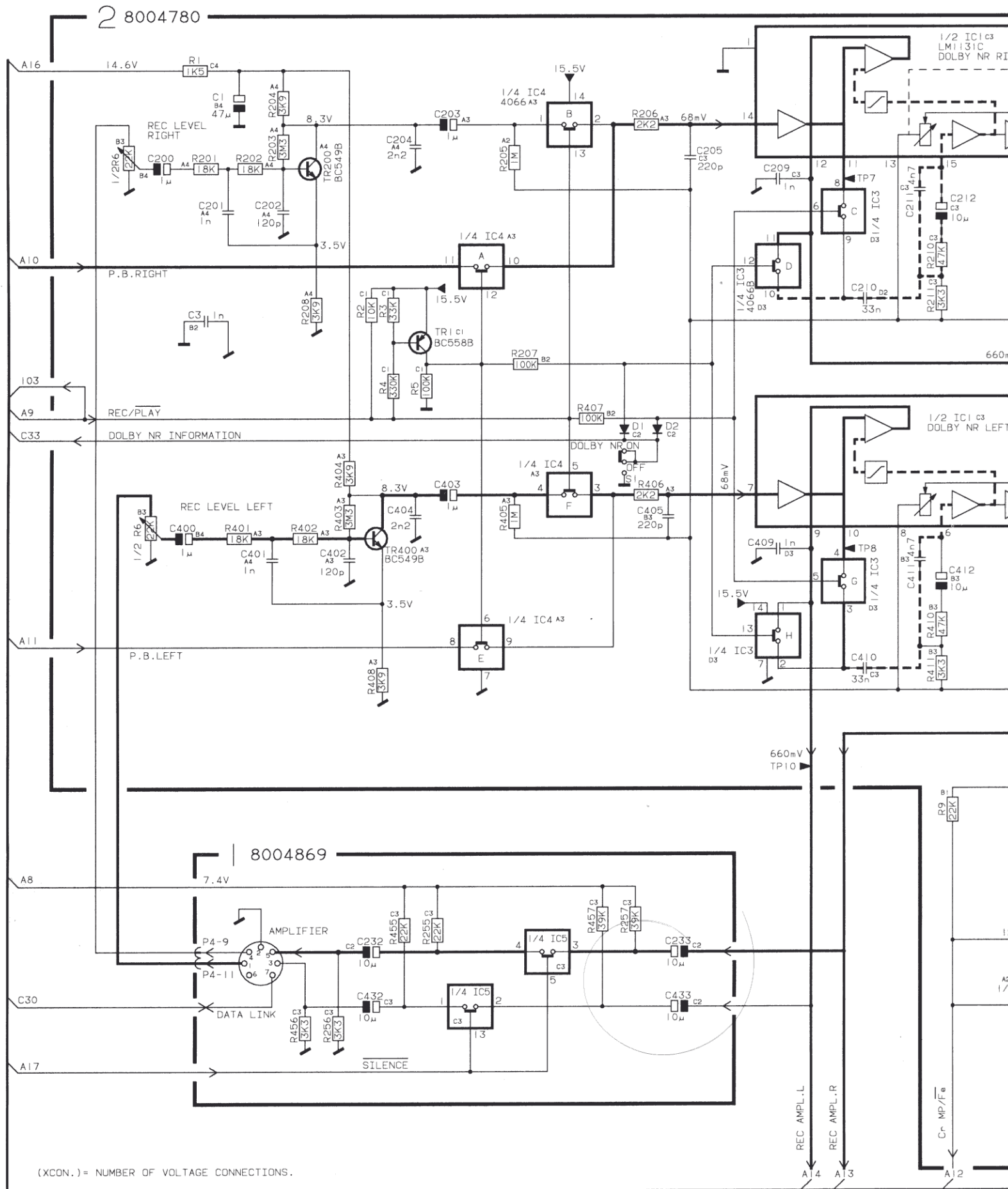
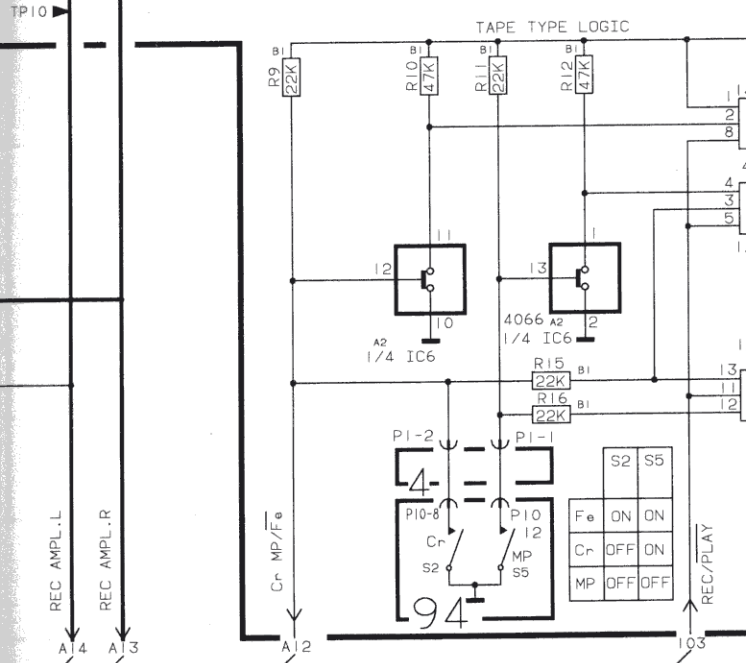
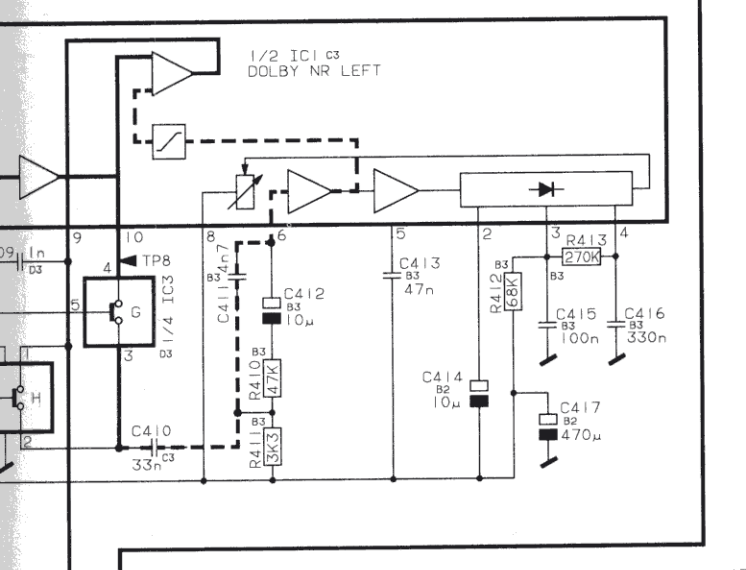
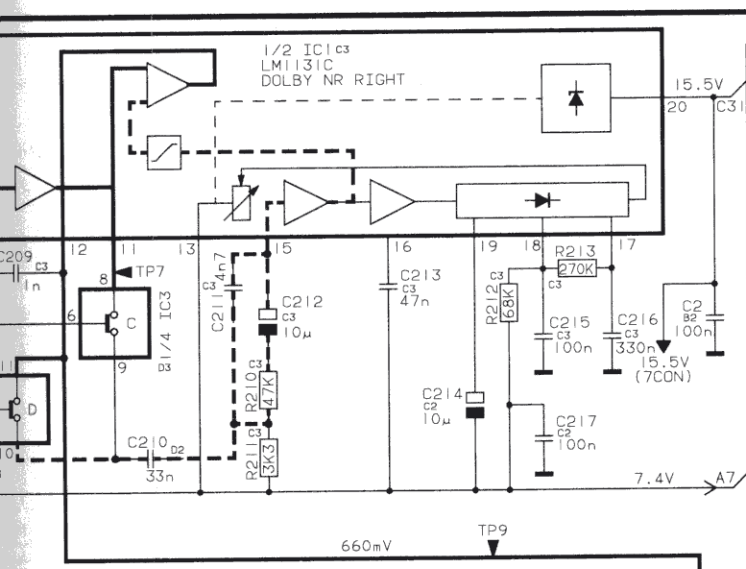


DIAGRAM B (Dolby NR, Bias Switch and Tape Type Logic)





NOISE REDUCTION SYSTEM MANUFACTURED UNDER LICENS FROM DOLBY LABORATORIES. LICENSING CORPORATION. THE WORD DOLBY IS A TRADE MARK OF DOLBY LABORATORIES LICENSING CORPORATION.

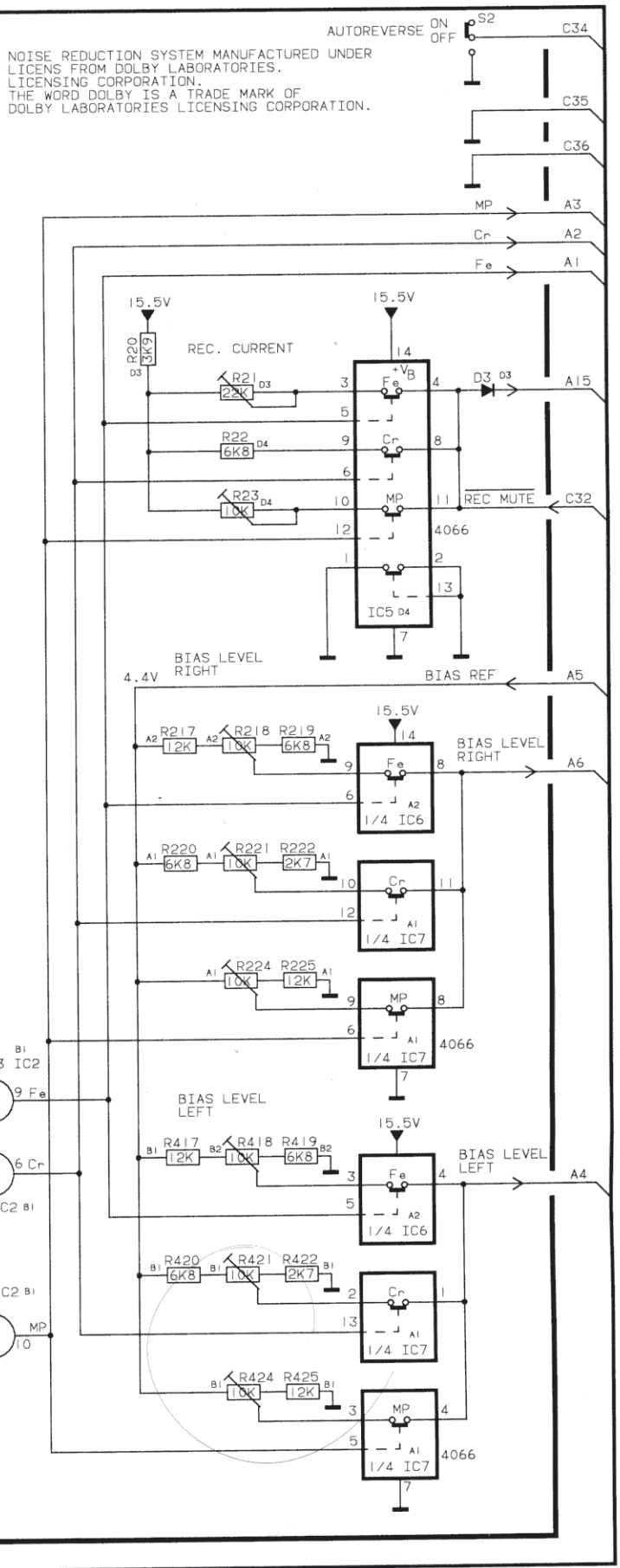
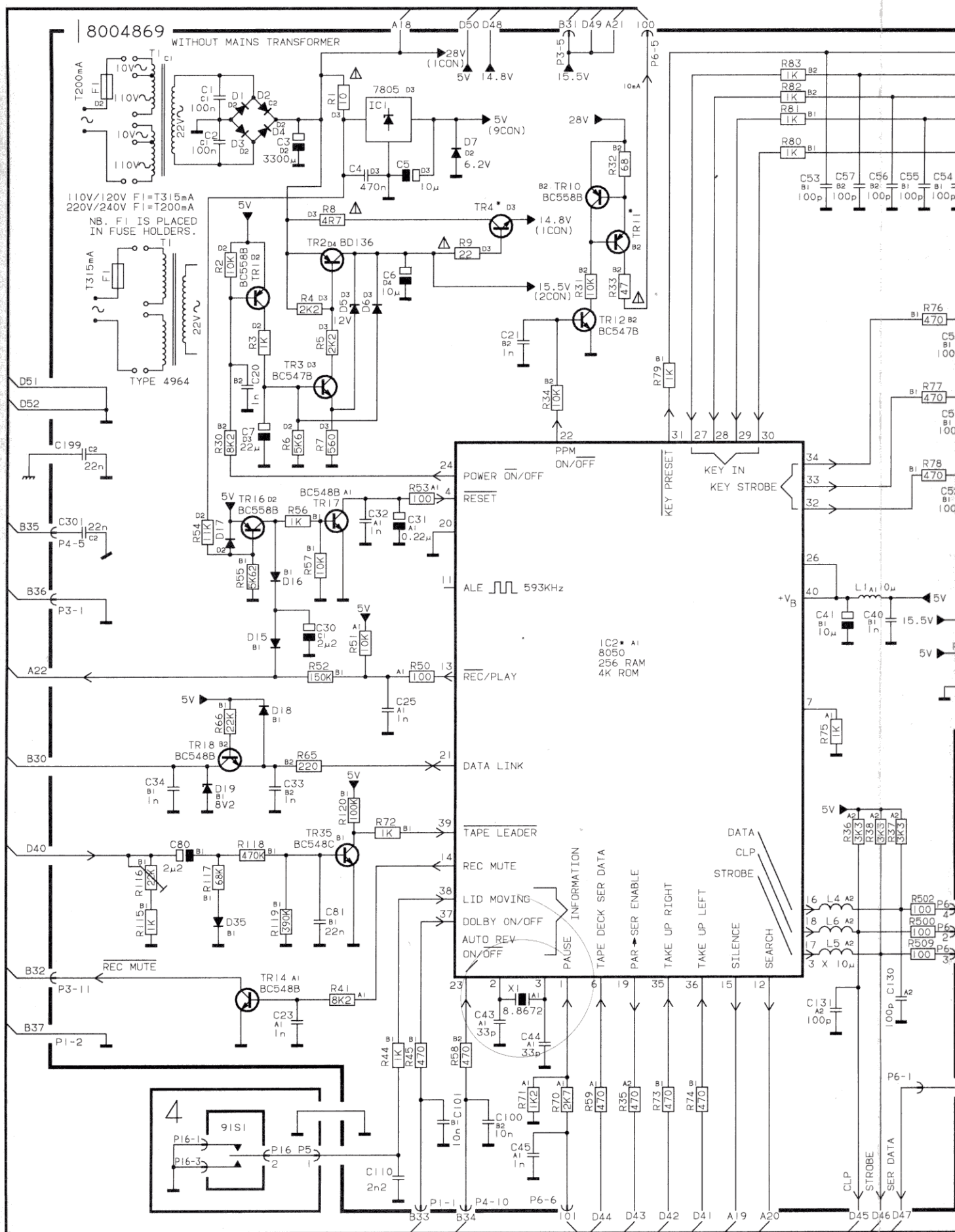


DIAGRAM C (Control and Operation)



38004782

