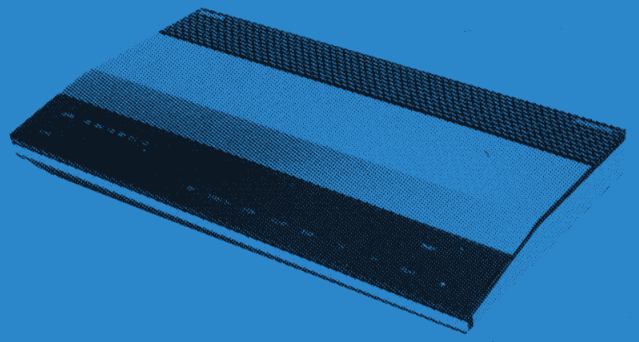


# Bang & Olufsen



## Beocord 4500

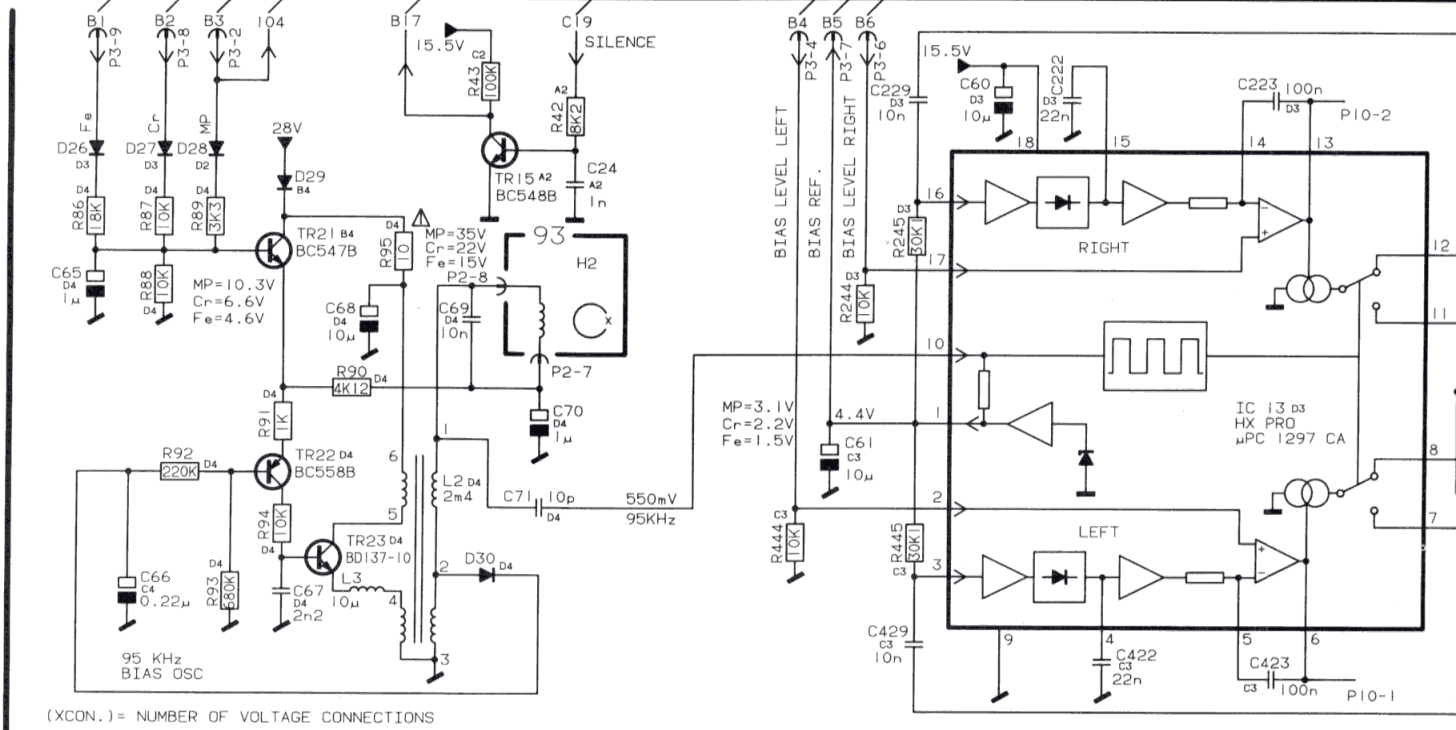
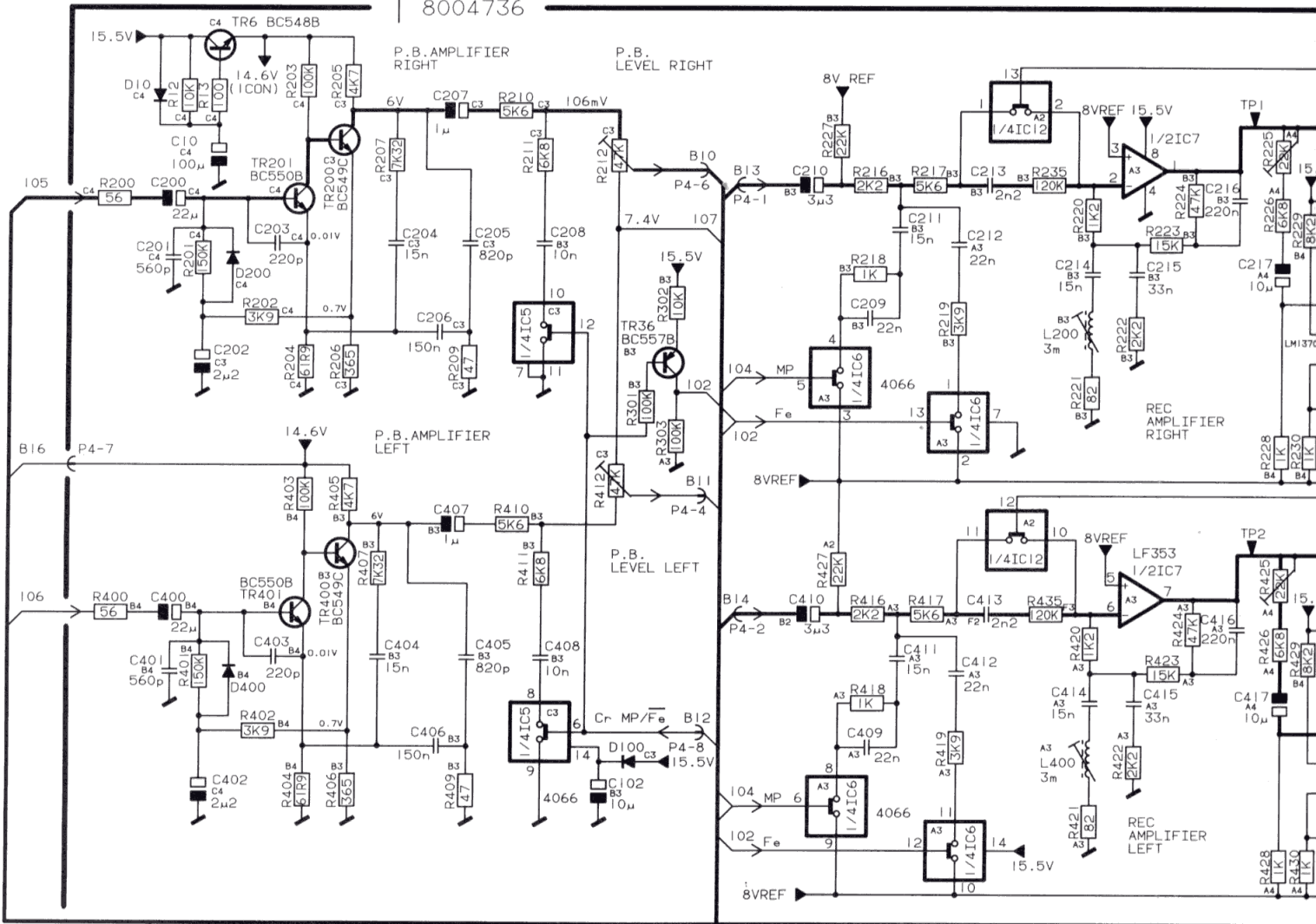
Typ 4961, 4962, 4963, 4964,  
4965

SERVICIANLEITUNG  
MANUEL d'ENTRETIEN



DIAGRAM A (AF and Control)

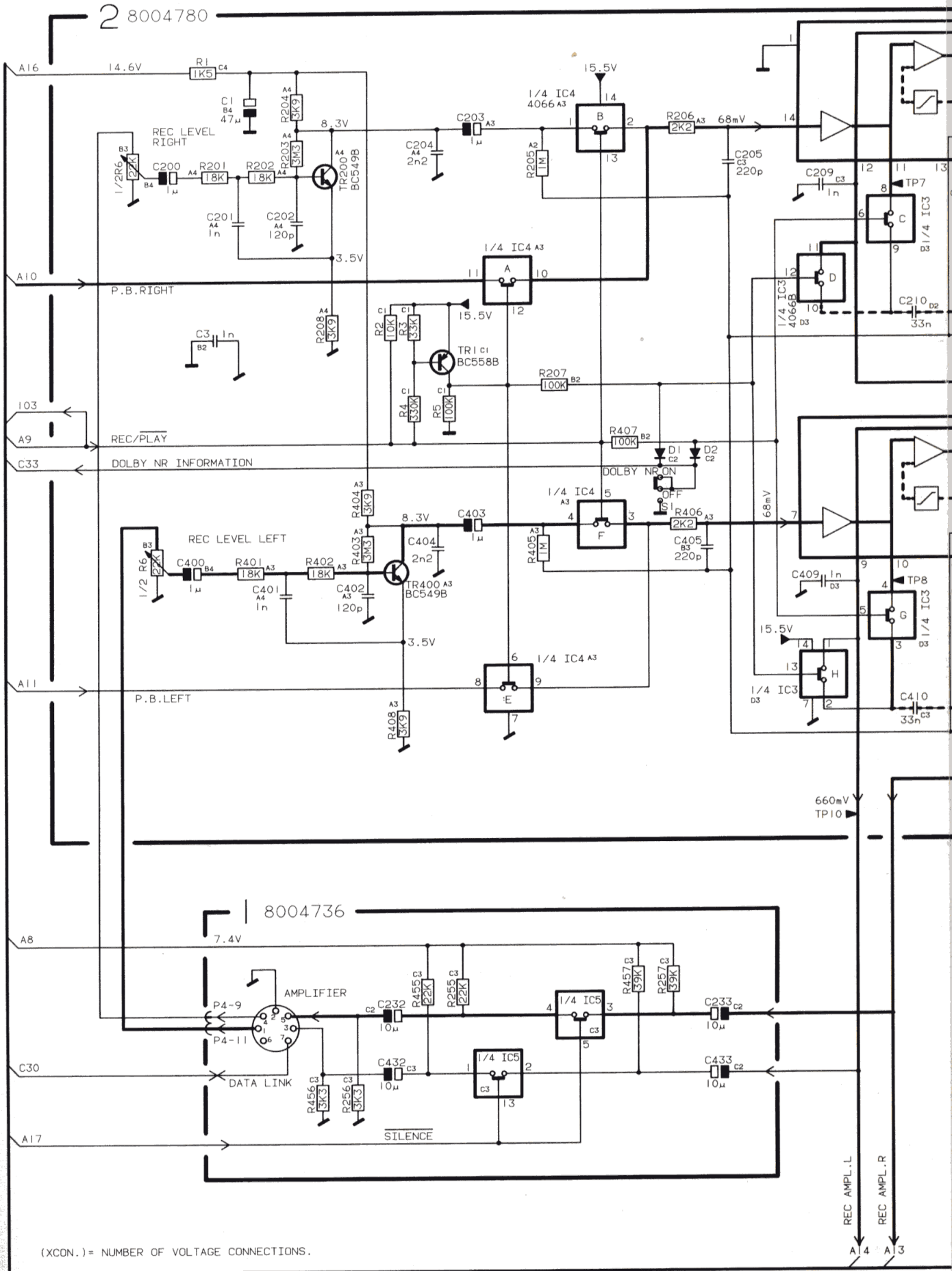
8004736



(XCON.) = NUMBER OF VOLTAGE CONNECTIONS



DIAGRAM B (Dolby NR, Bias Switch and Tape Type Logic)



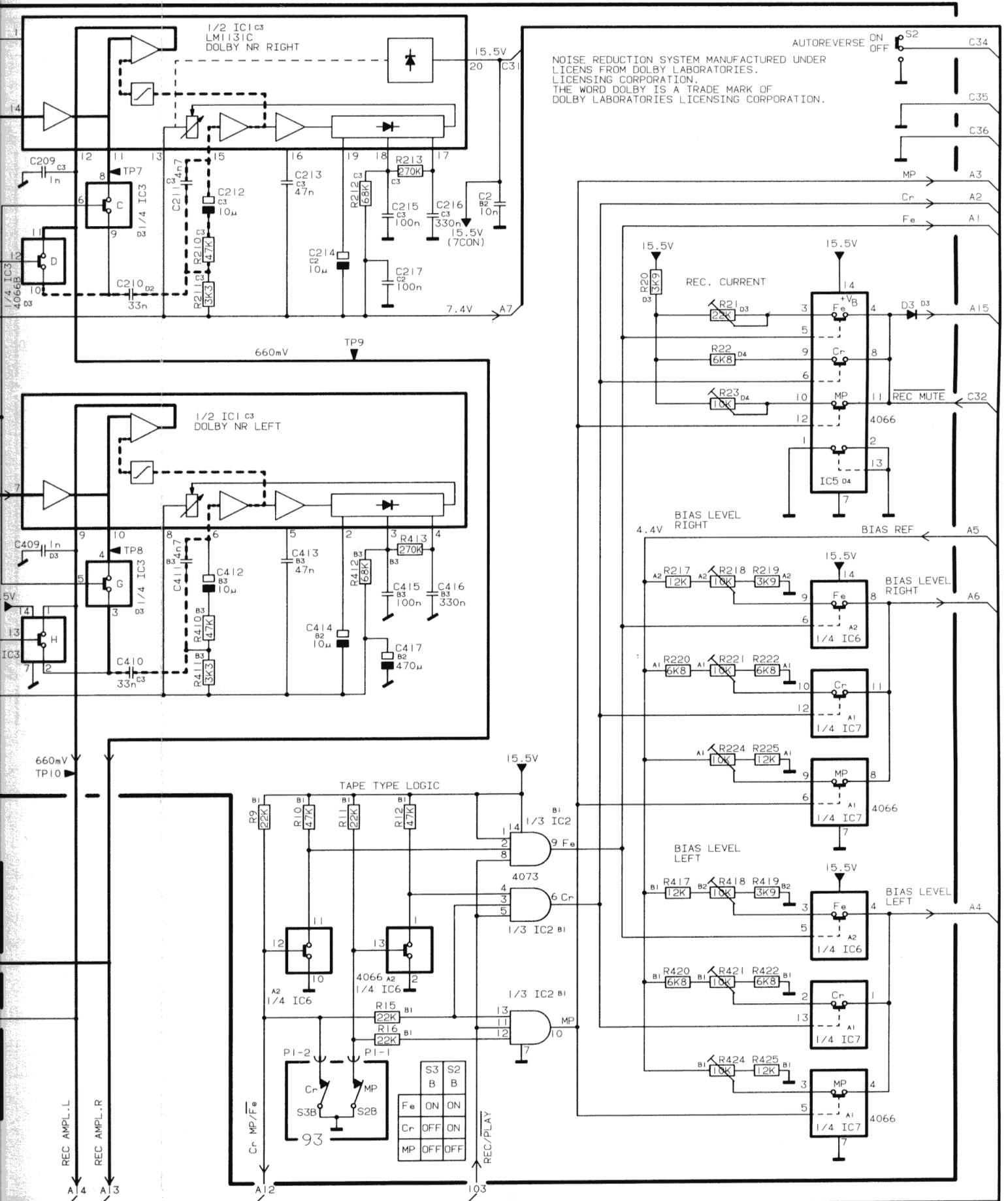
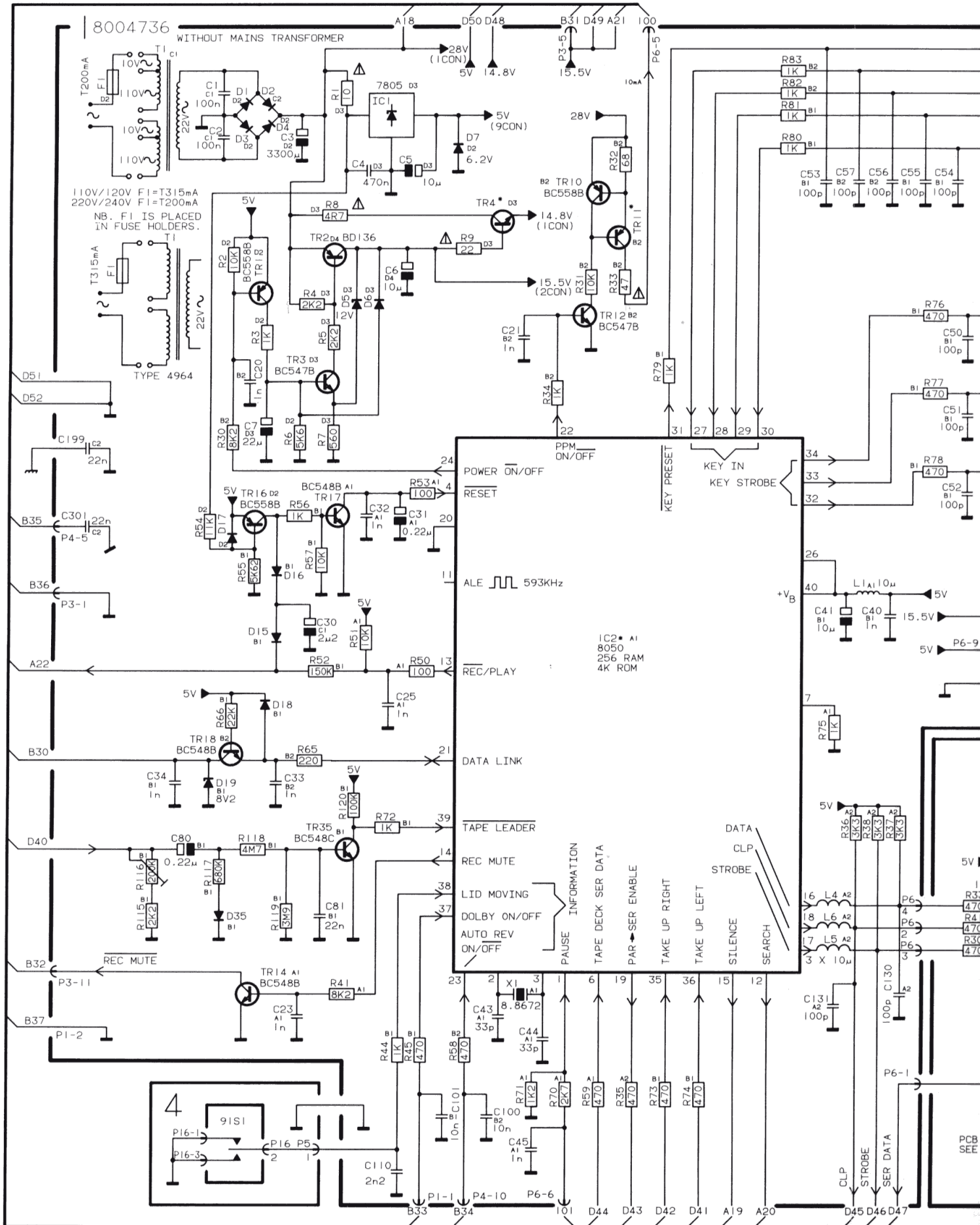
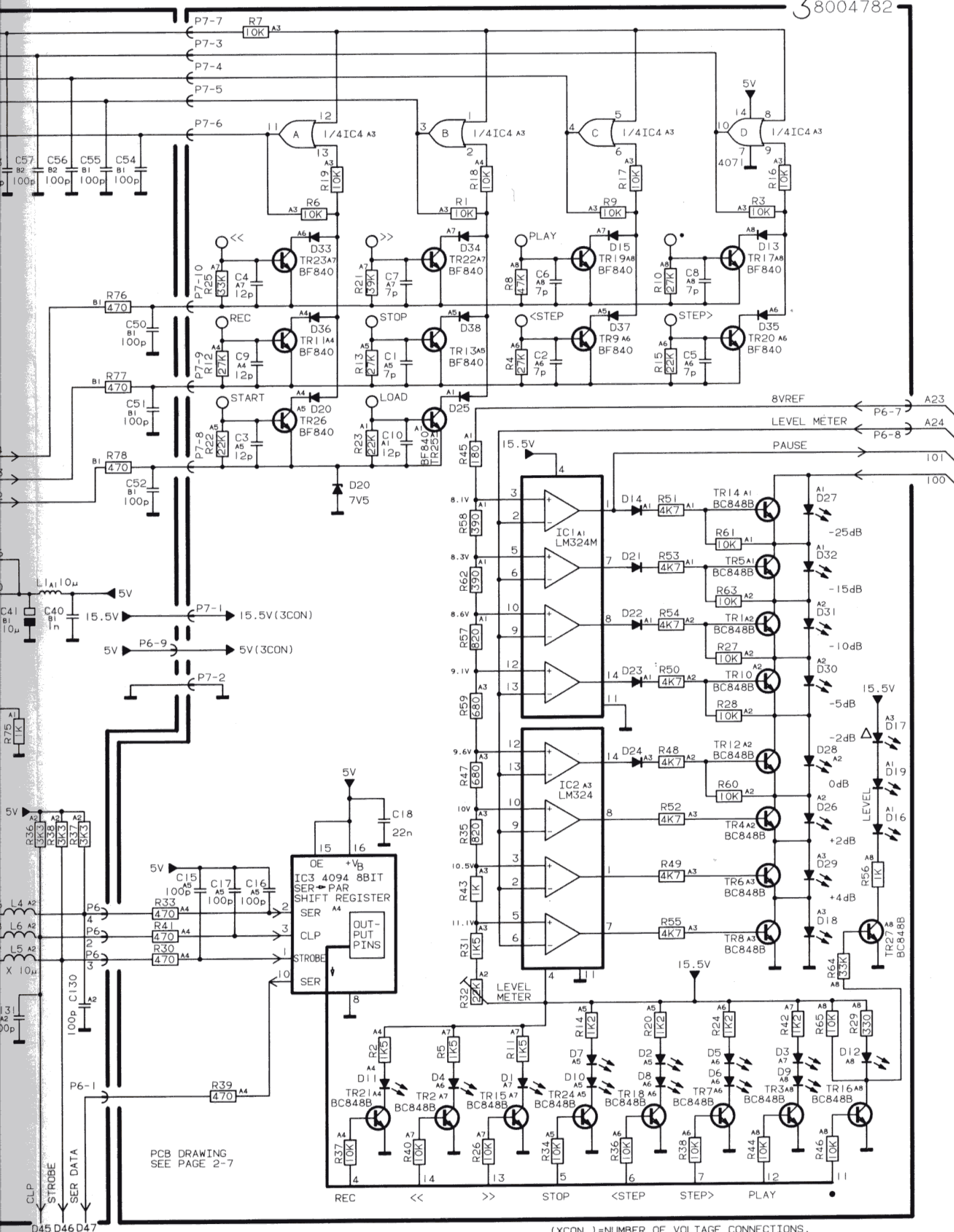


DIAGRAM C (Control and Operation)



38004782



PCB DRAWING SEE PAGE 2-7

(XCON.)=NUMBER OF VOLTAGE CONNECTIONS.

