

# Bang & Olufsen



## **BEOCORD 6000**

Type 4831-4832-4833  
4834-4835-4836-4837

## **BEOCORD 8002**

Type 4841-4842-4843  
4844-4845-4846-4847

## **BEOCORD 6002**

Type 4851-4852-4853-  
4854-4855-4856-4857

## **BEOCORD 8004**

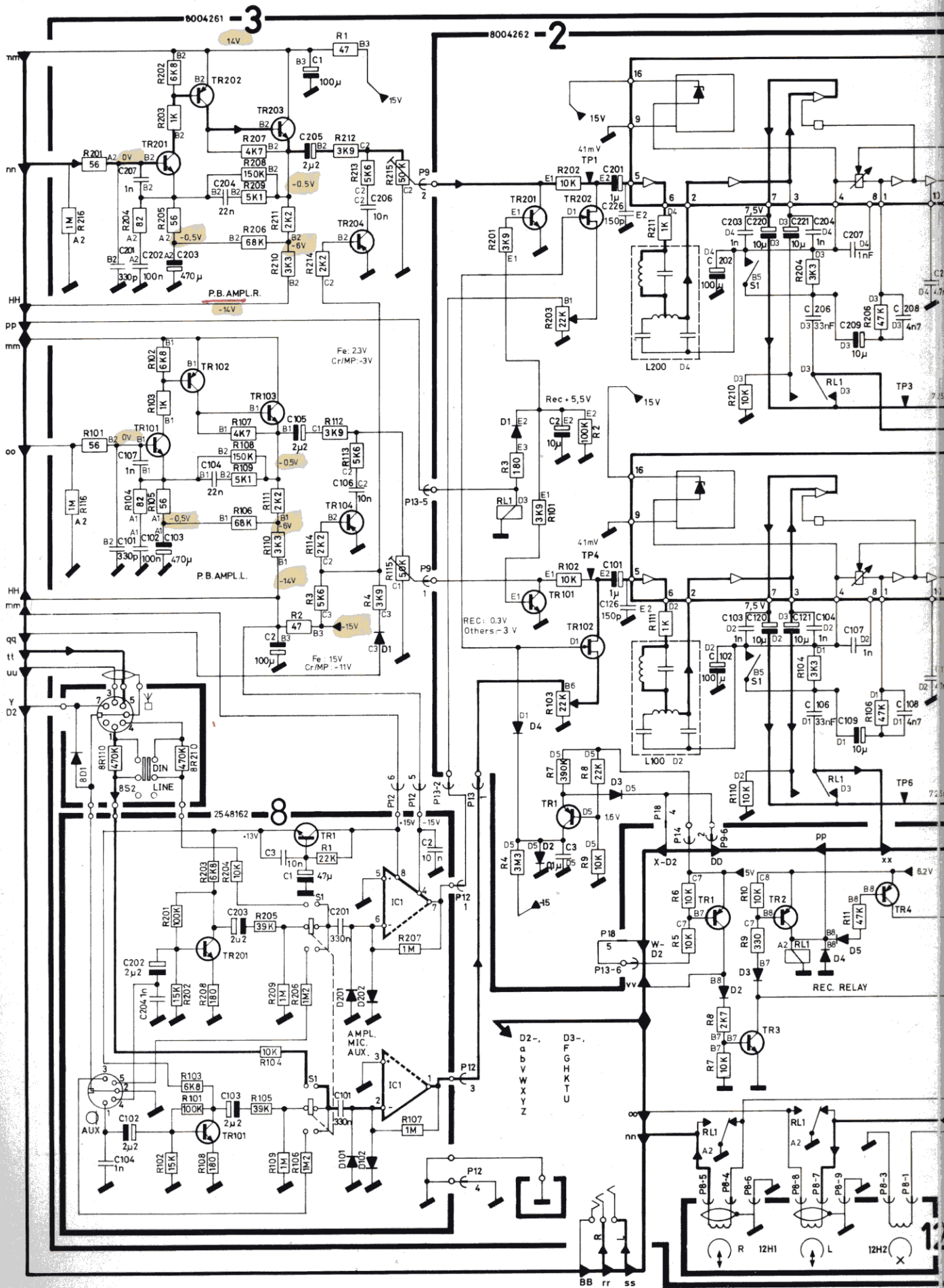
Type 4861-4862-4863  
4864-4865-4866-4867

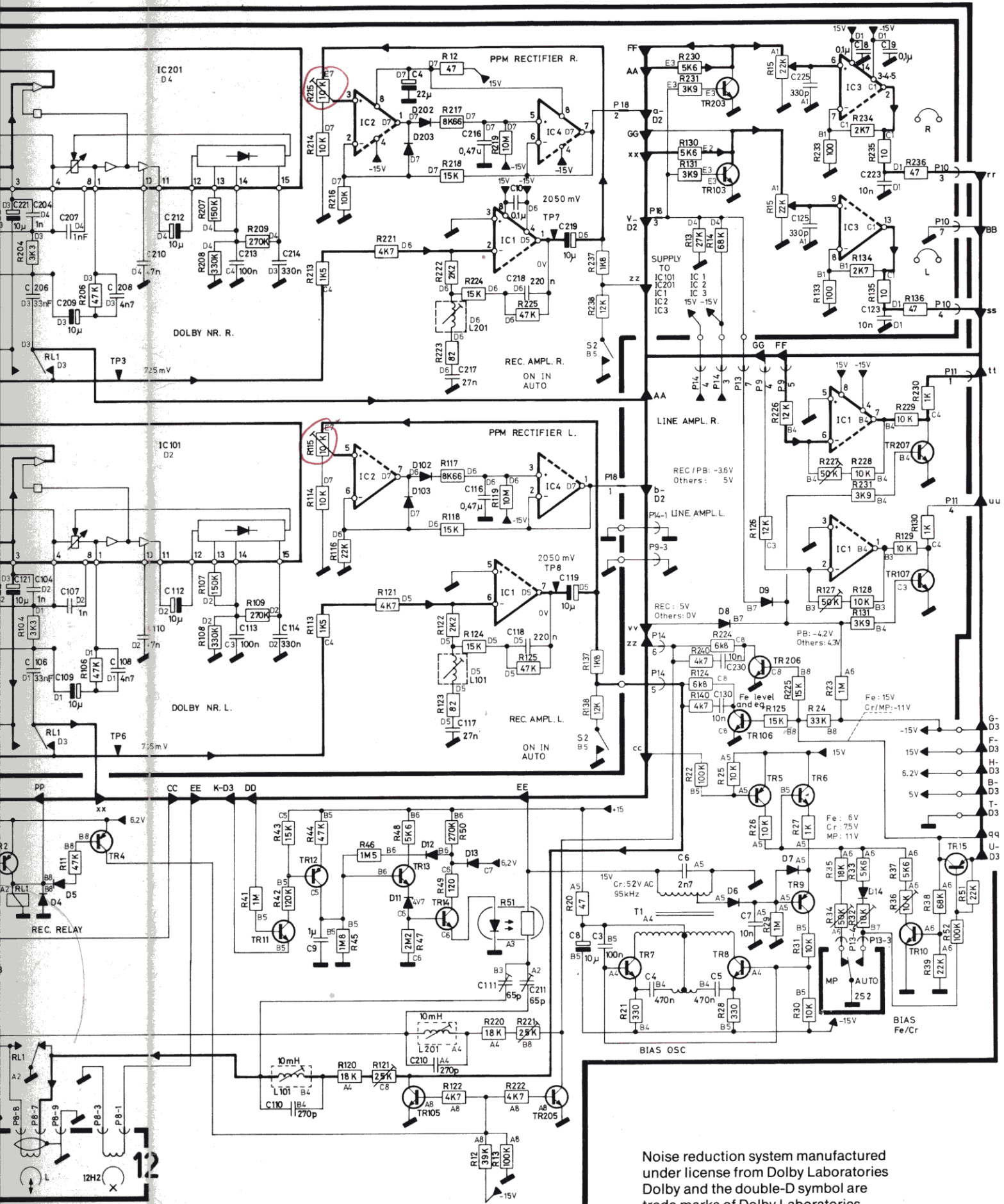
MANUEL d'ENTRETIEN



# Bang & Olufsen

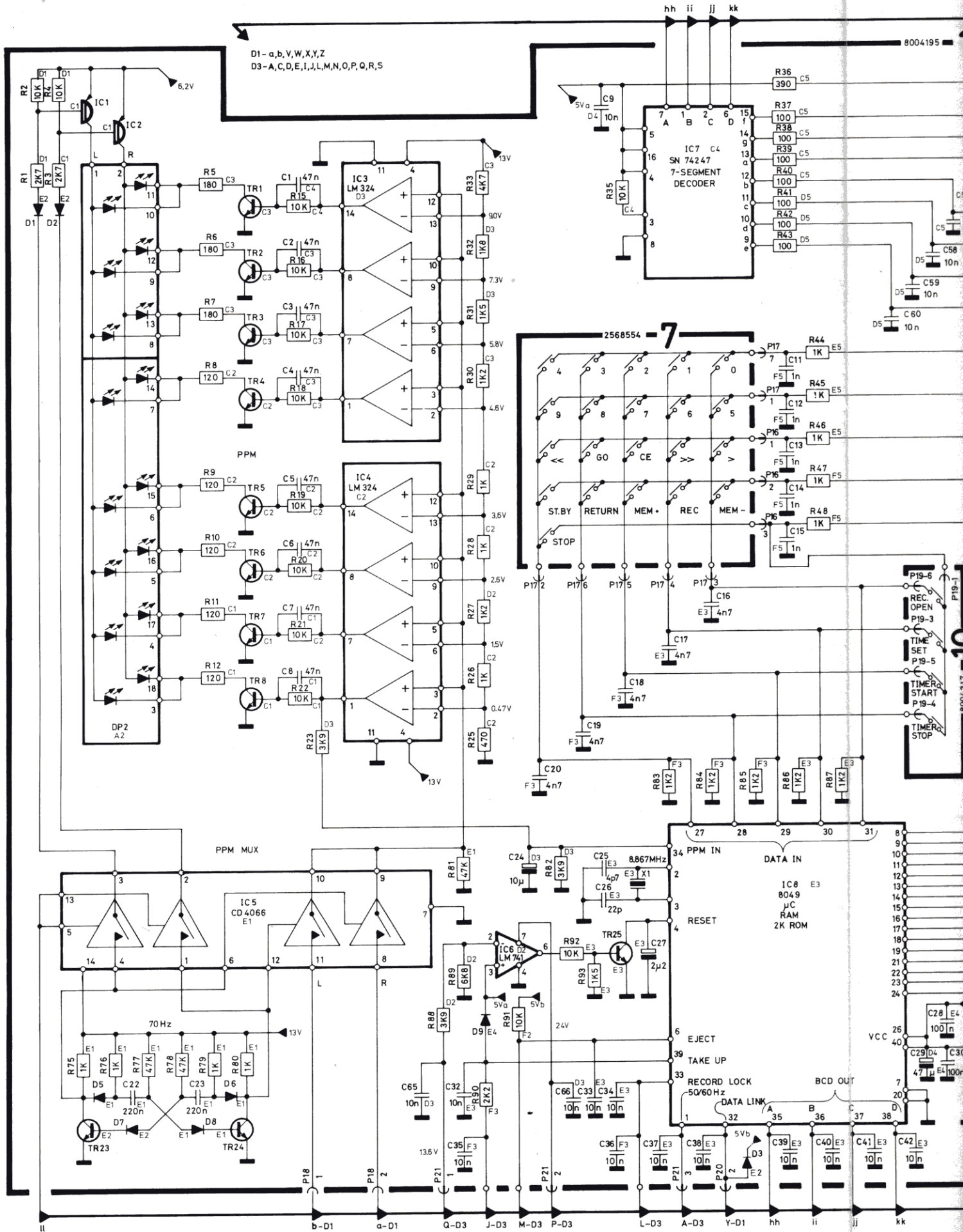
## DIAGRAM 1 FOR BEOCORD 6000

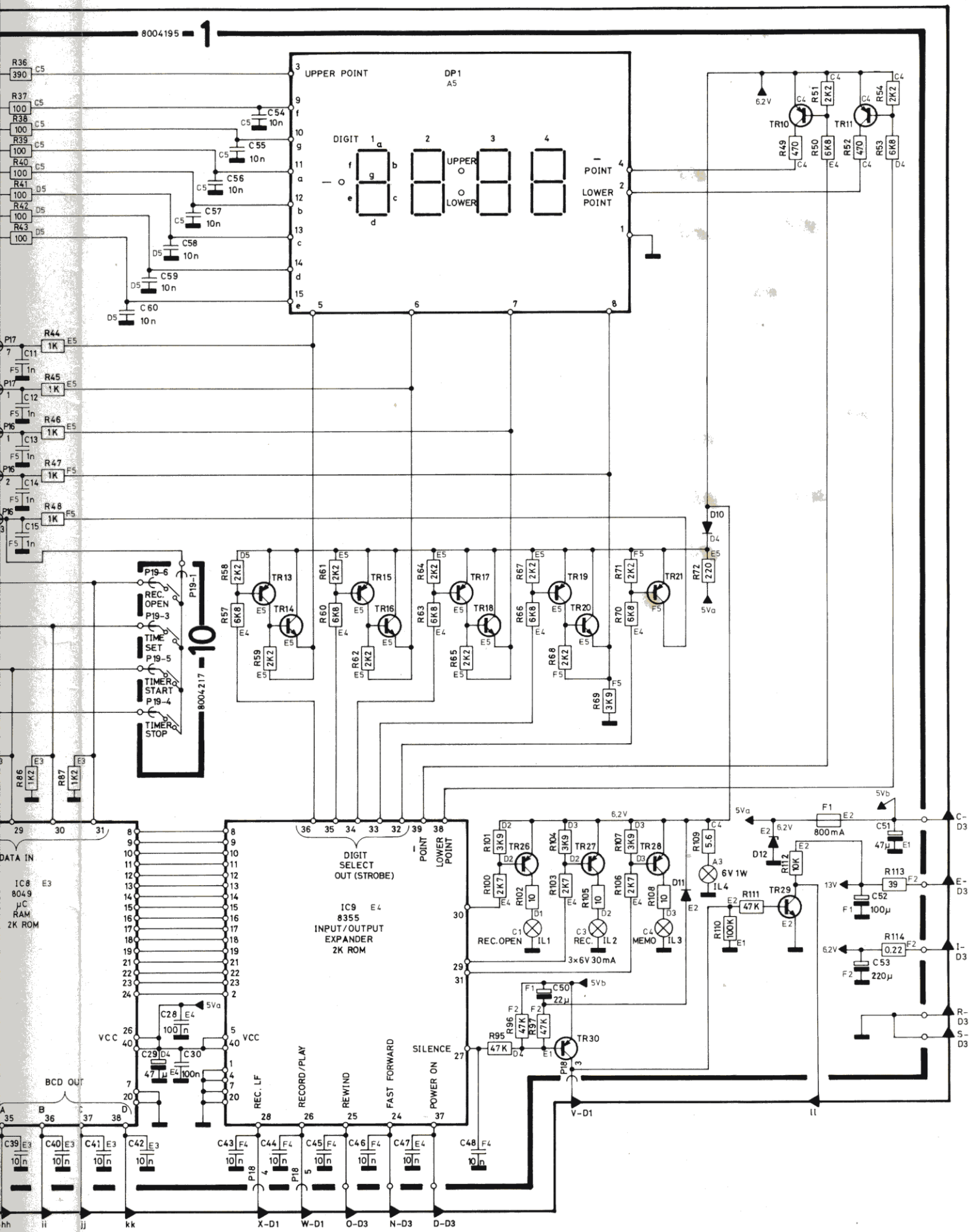




Noise reduction system manufactured under license from Dolby Laboratories. Dolby and the double-D symbol are trade marks of Dolby Laboratories.

## DIAGRAM 2 FOR BEOCORD 6000







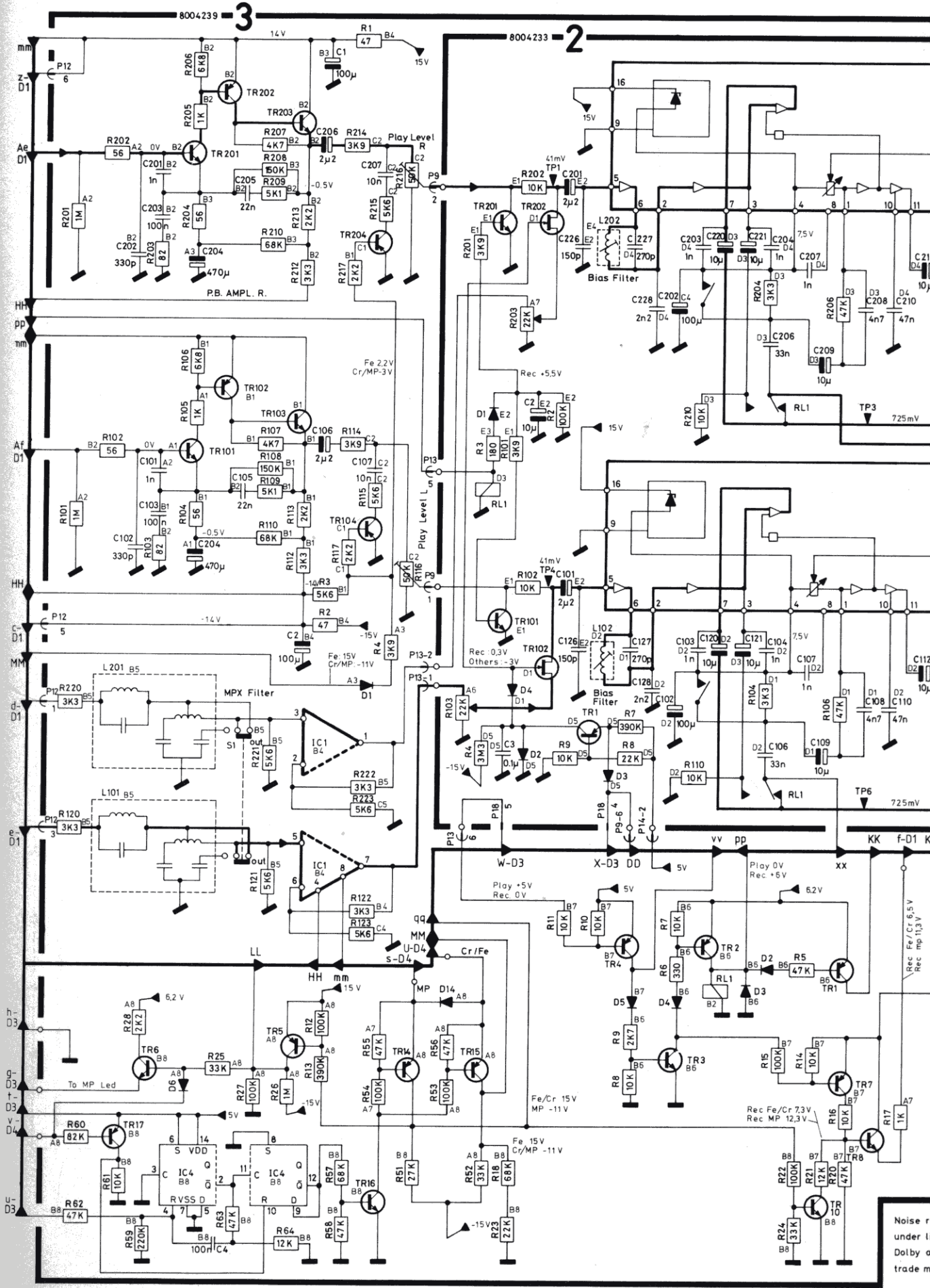




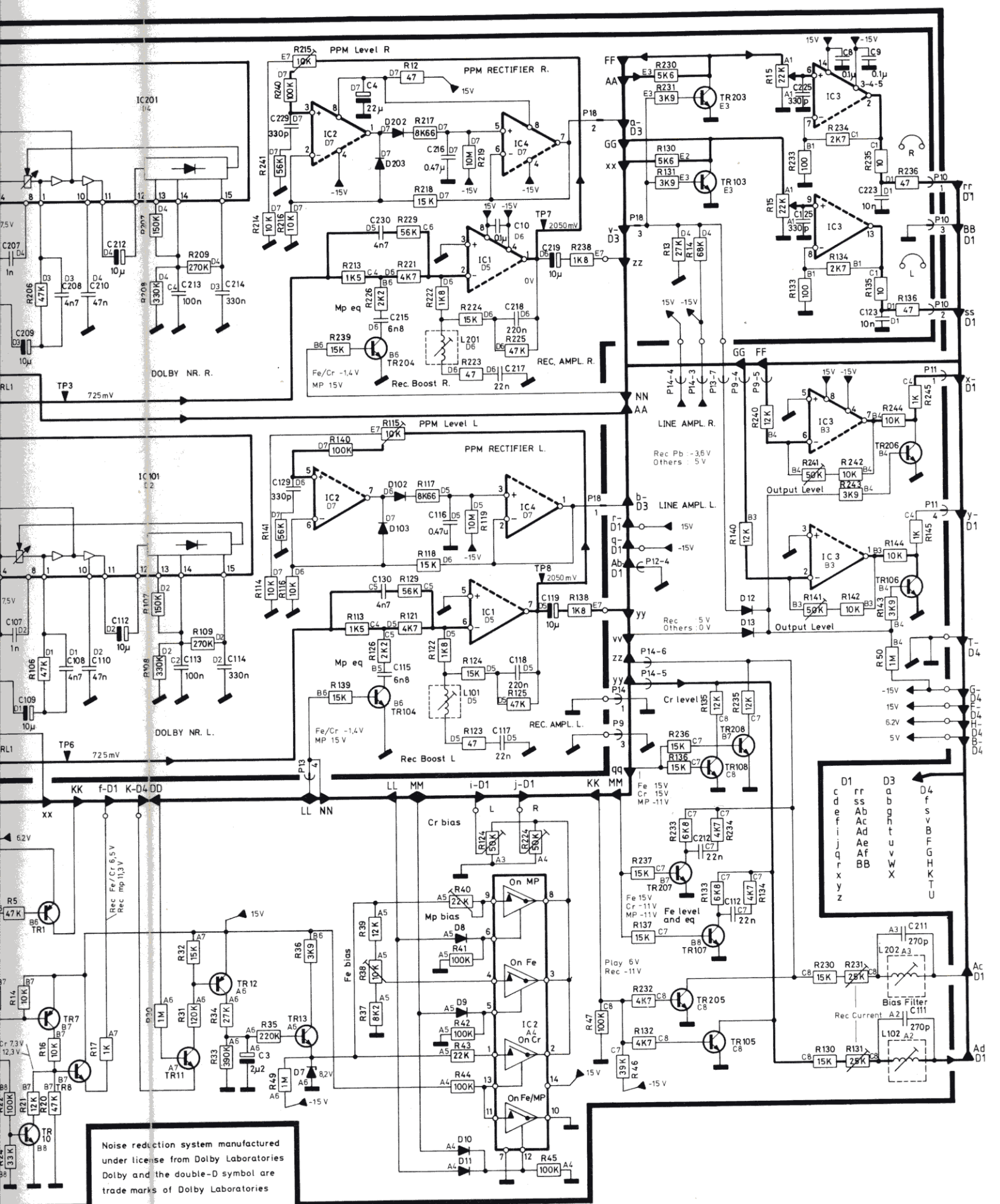


# Bang & Olufsen

## DIAGRAM 2 FOR BEOCORD 8002



Noise r  
under l  
Dolby a  
trade m



Noise reduction system manufactured under license from Dolby Laboratories. Dolby and the double-D symbol are trade marks of Dolby Laboratories.

D1	rr	D3	d4
c	ss	a	o
d	bb	b	g
e	ac	c	h
f	ad	d	t
i	ae	e	v
j	af	f	h
q	bb	g	t
r		h	u
x		i	v
y		j	w
z		k	x
		l	y
		m	z
		n	
		o	
		p	
		q	
		r	
		s	
		t	
		u	
		v	
		w	
		x	
		y	
		z	

## DIAGRAM 3 FOR BEOCORD 8002

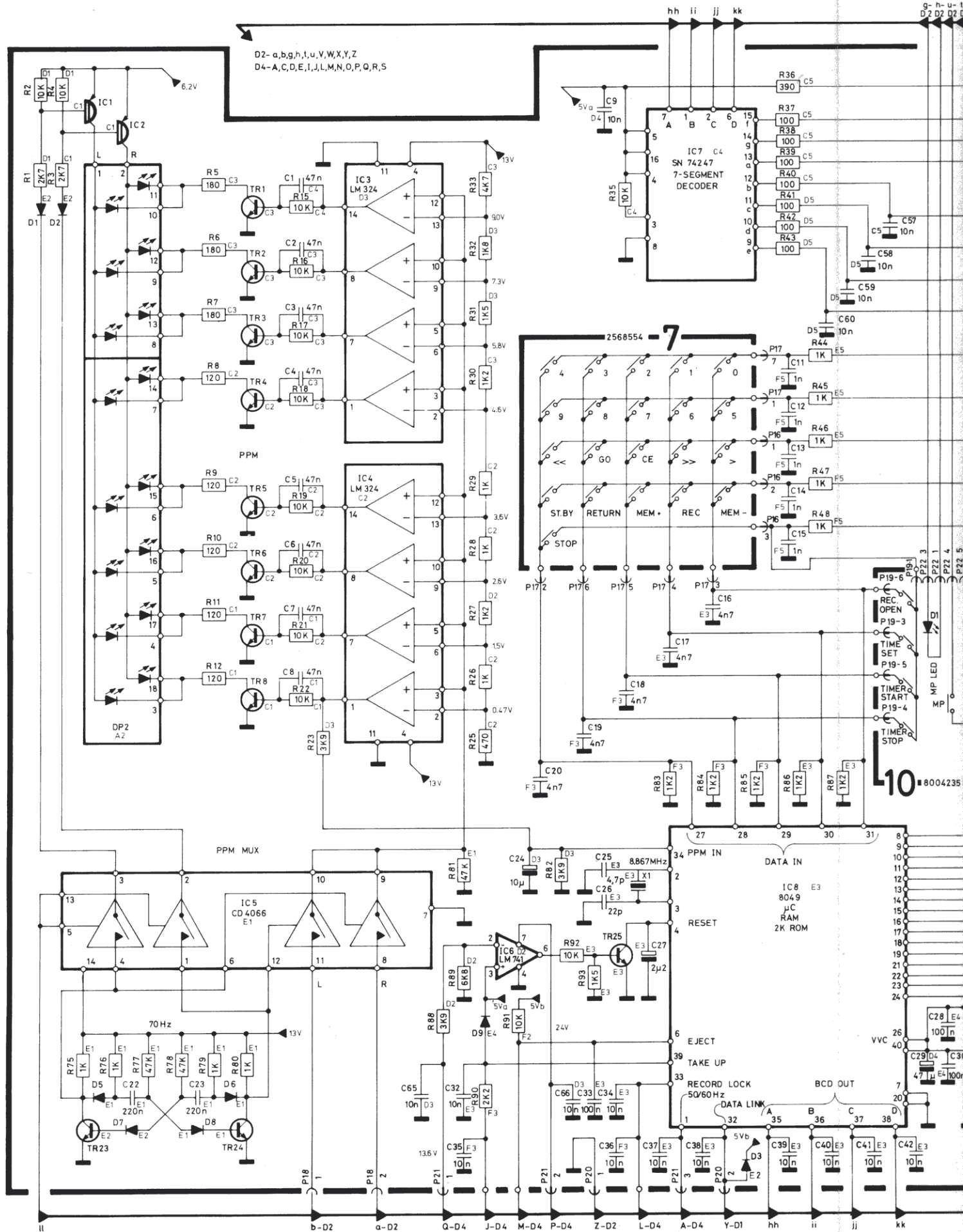
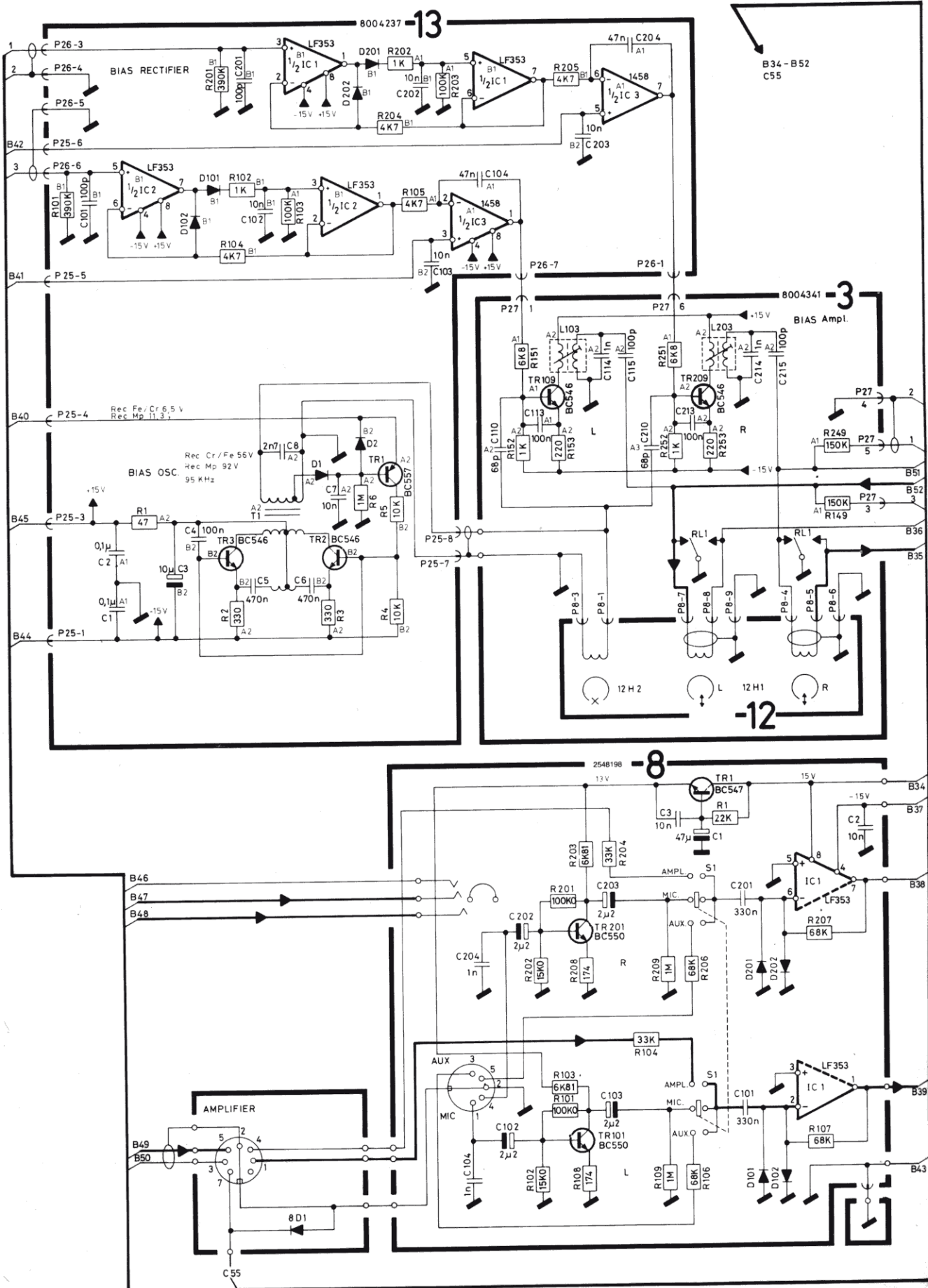






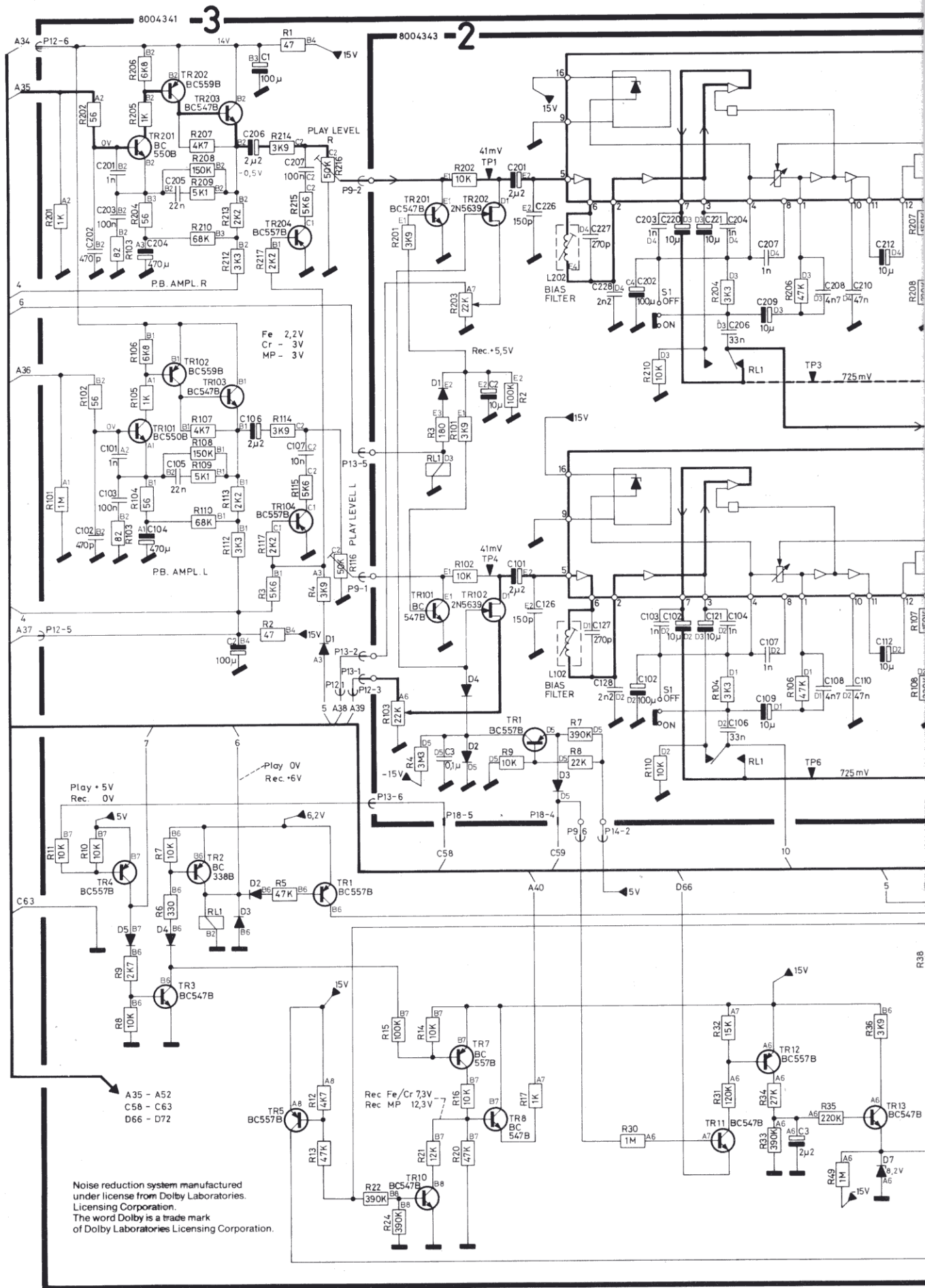


DIAGRAM A FOR BECORD 6002



# Bang & Olufsen

## DIAGRAM B FOR BEOCORD 6002



Noise reduction system manufactured under license from Dolby Laboratories Licensing Corporation. The word Dolby is a trade mark of Dolby Laboratories Licensing Corporation.



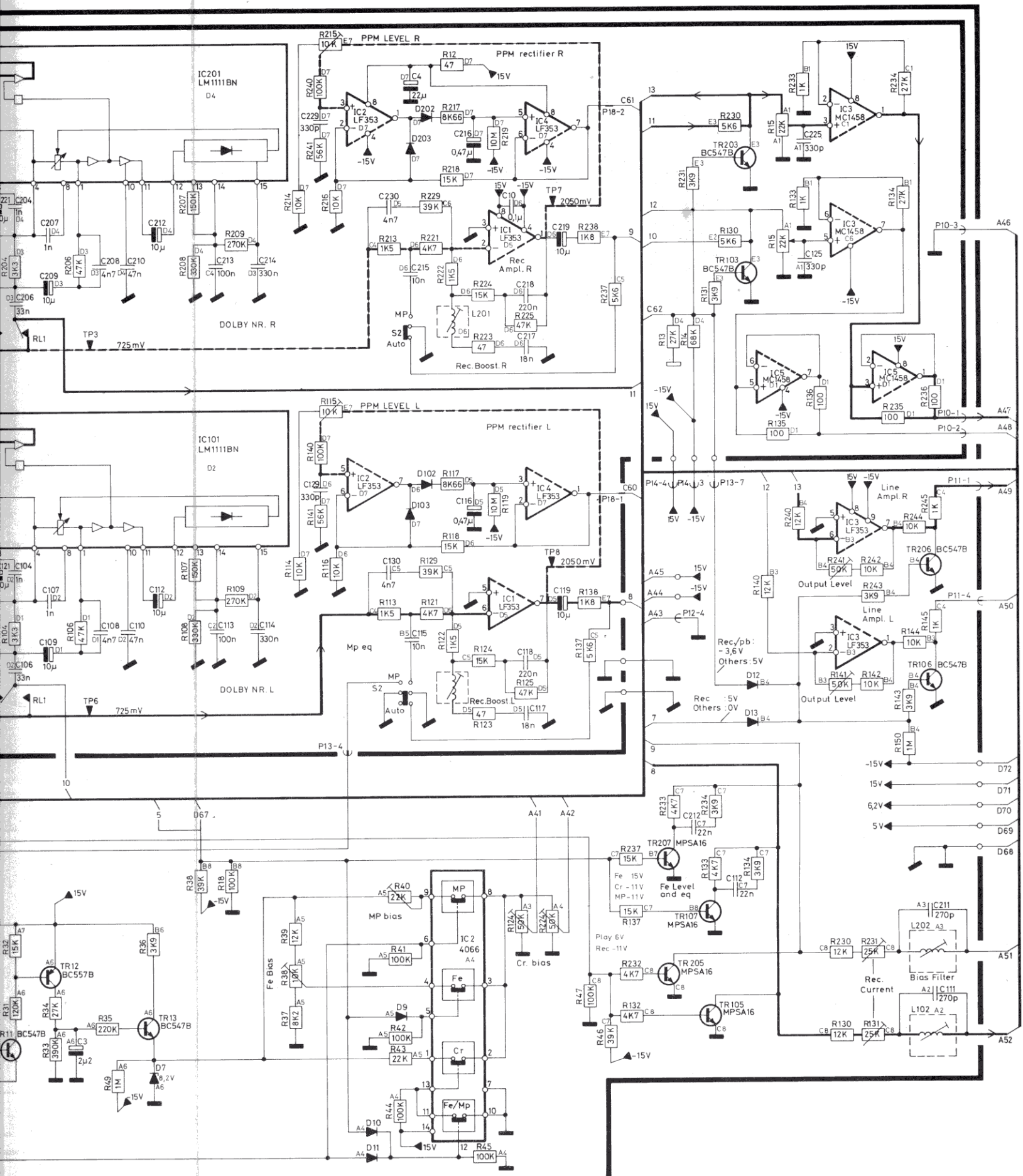
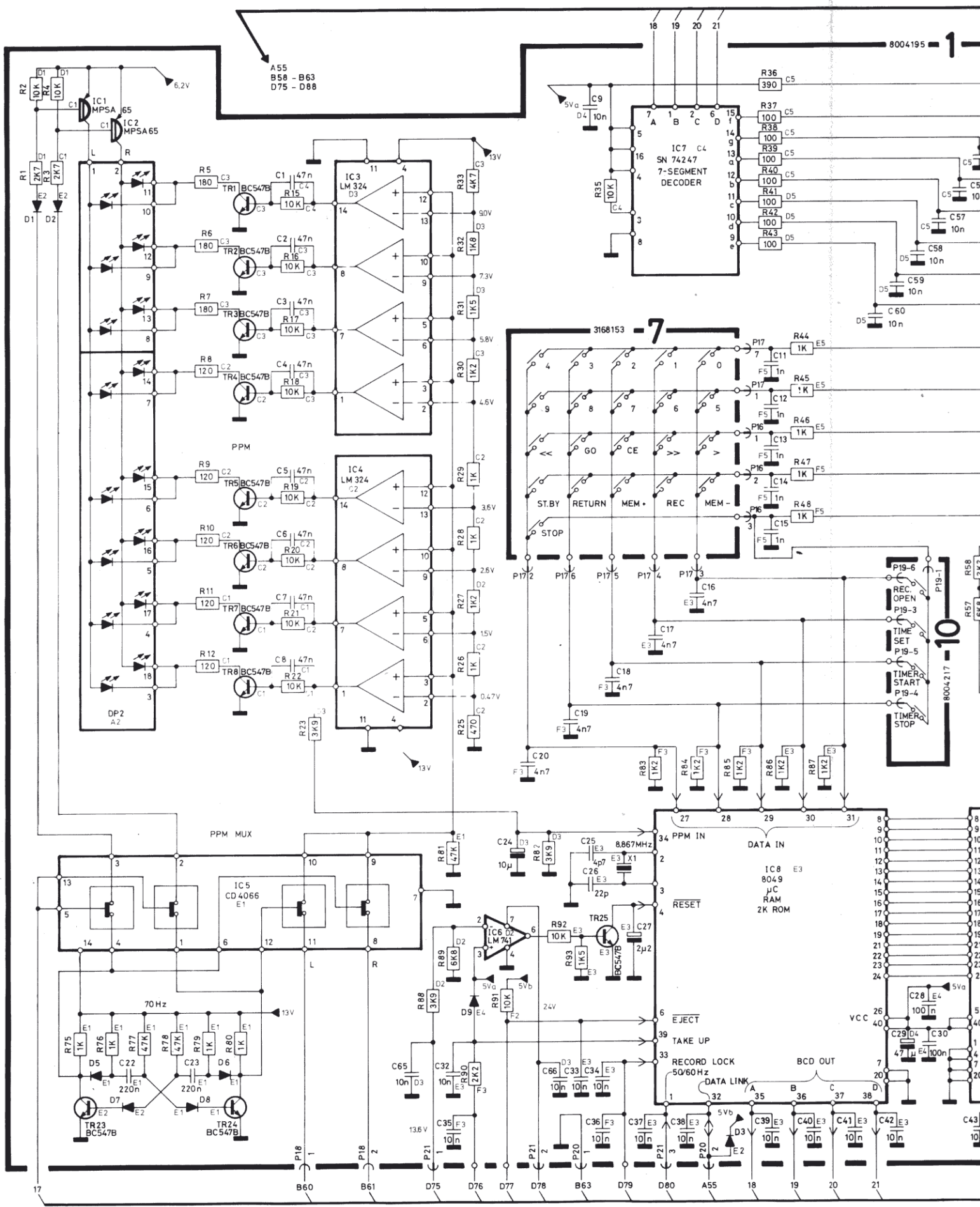
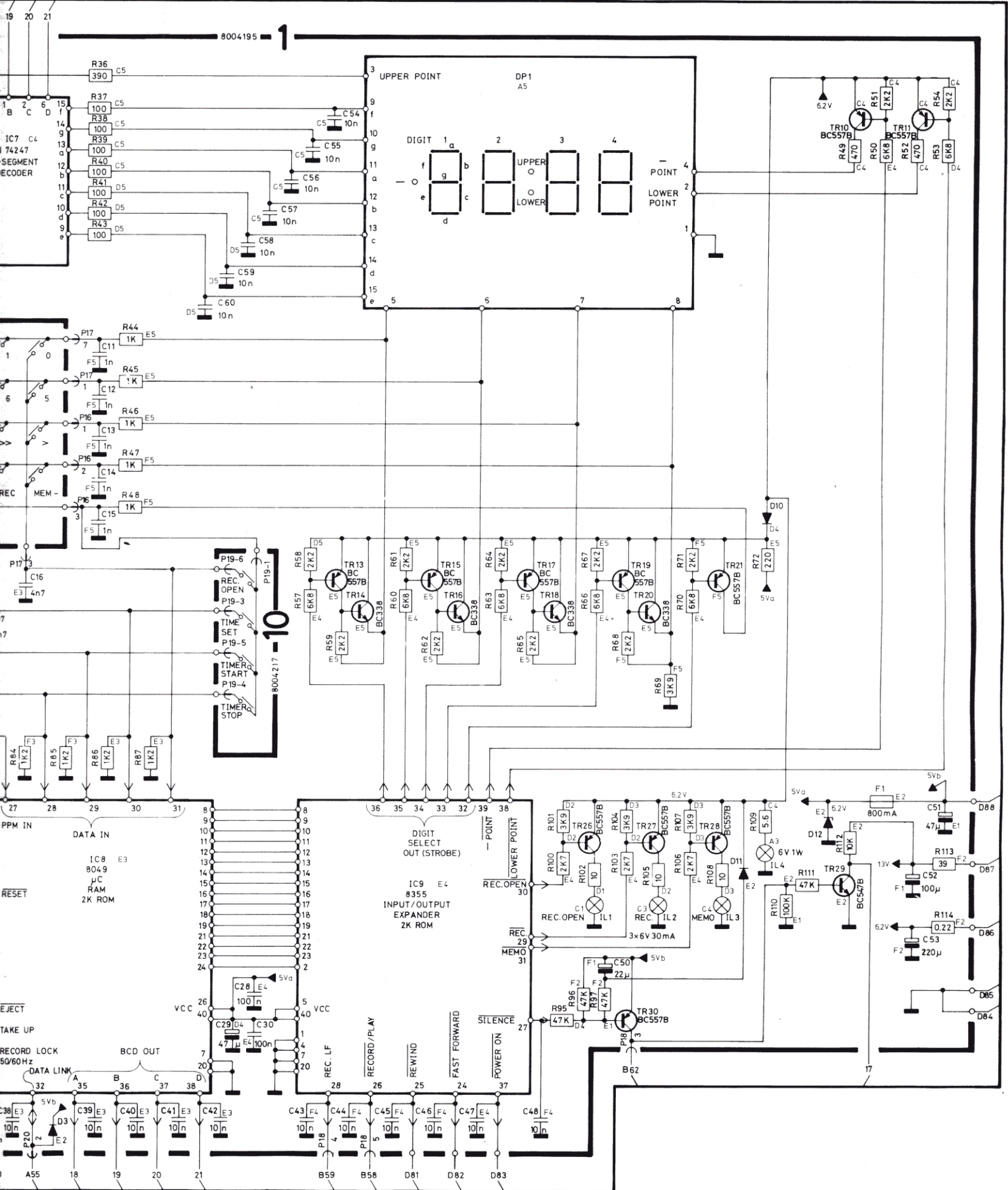


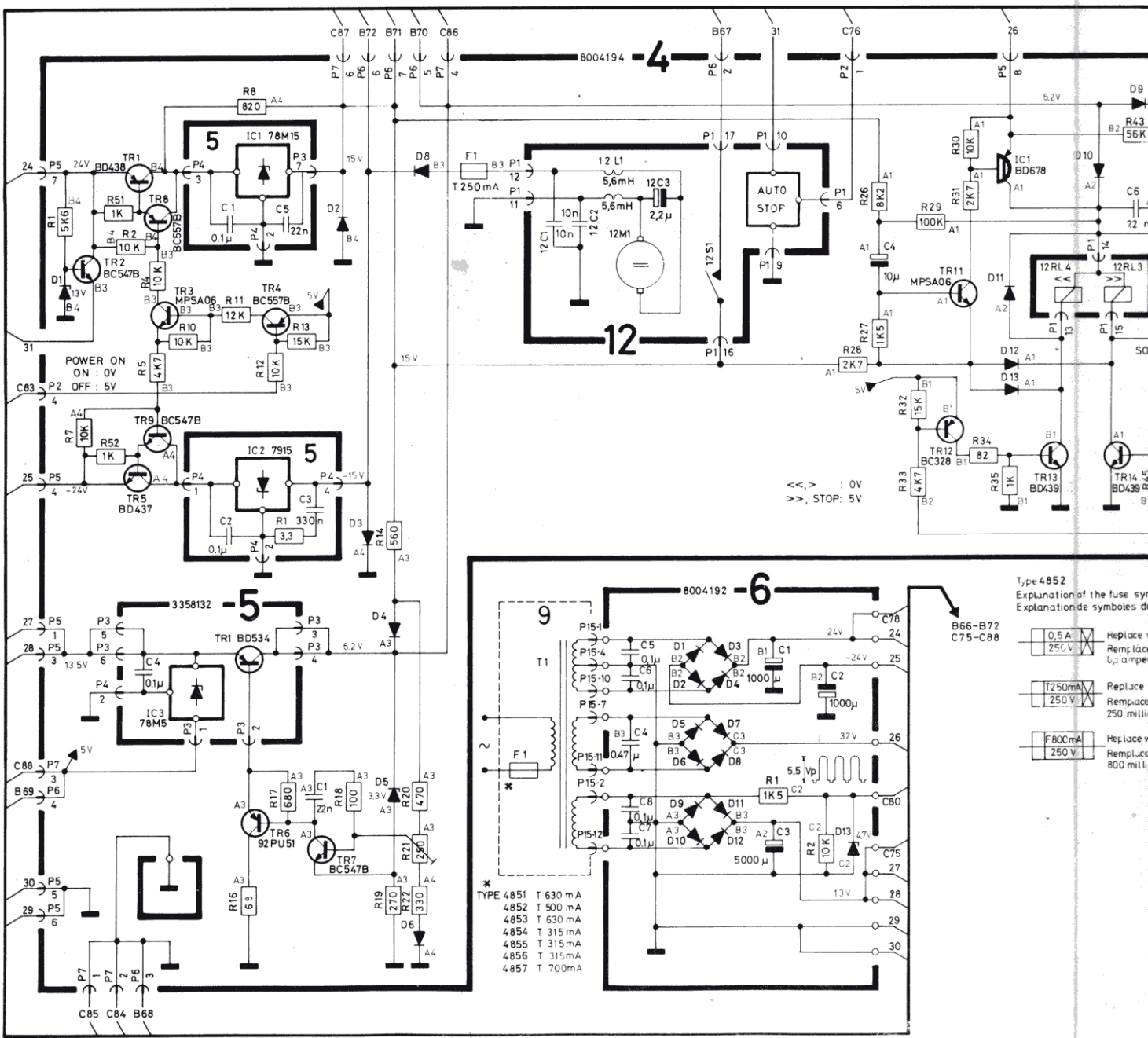
DIAGRAM C FOR BEOCORD 6002





# Bang & Olufsen

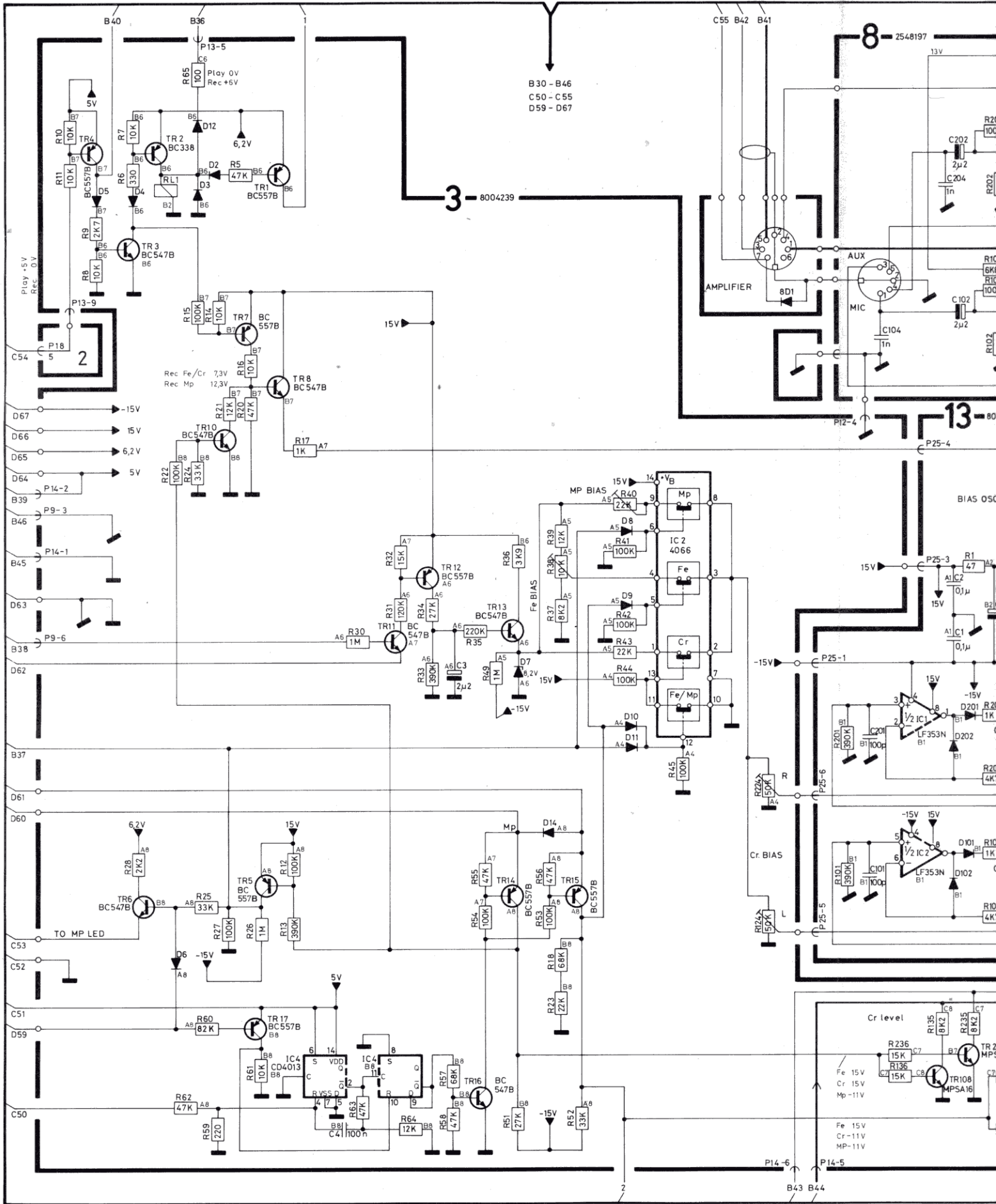
## DIAGRAM D FOR BEOCORD 6002

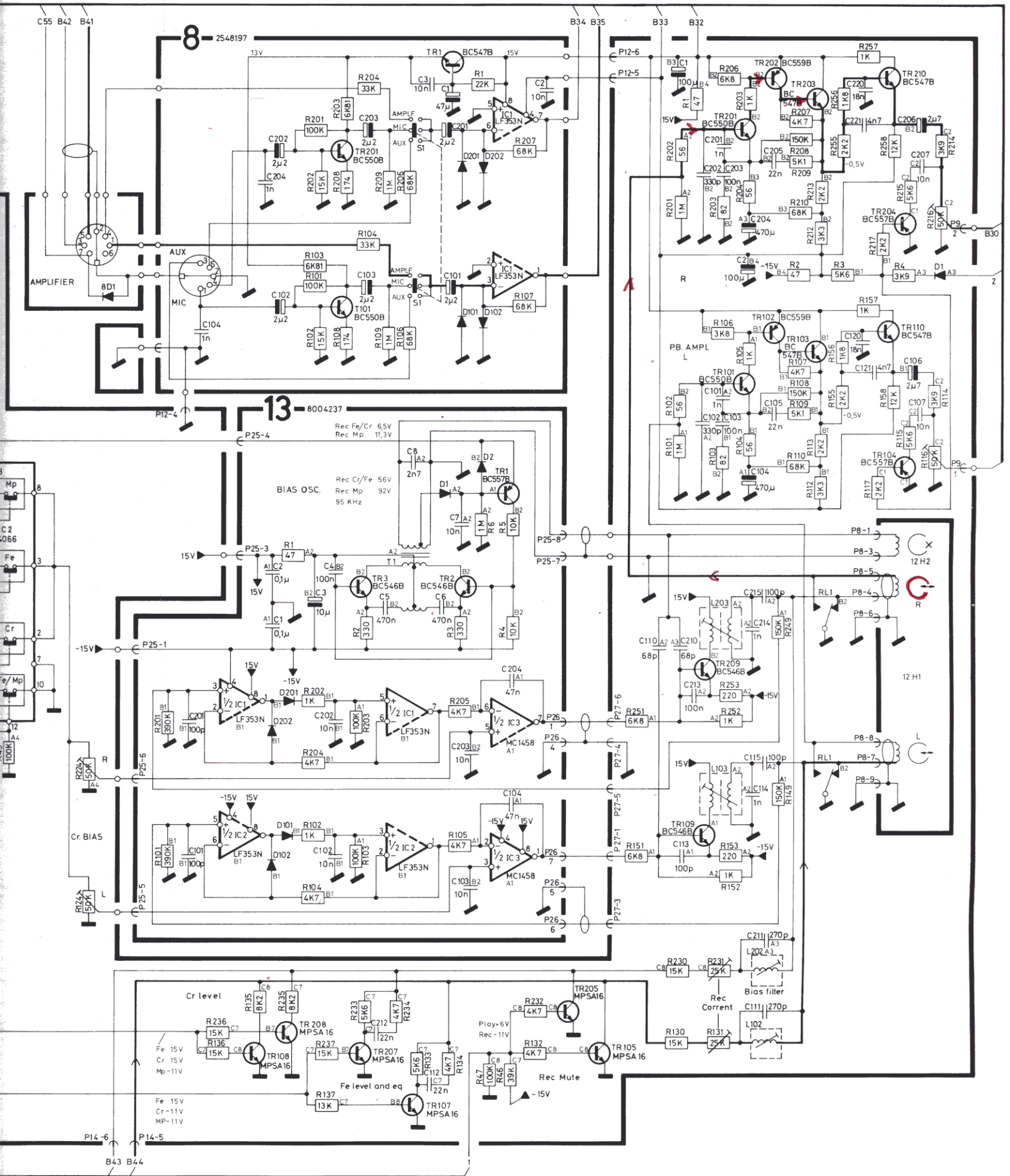


FUNCTION	CONDITIONS		
	11C8	11C8	11C8
PIN	4	33	
	1		
	1	1	
	1	1	
	1		
	1		
	1		
	1	1	



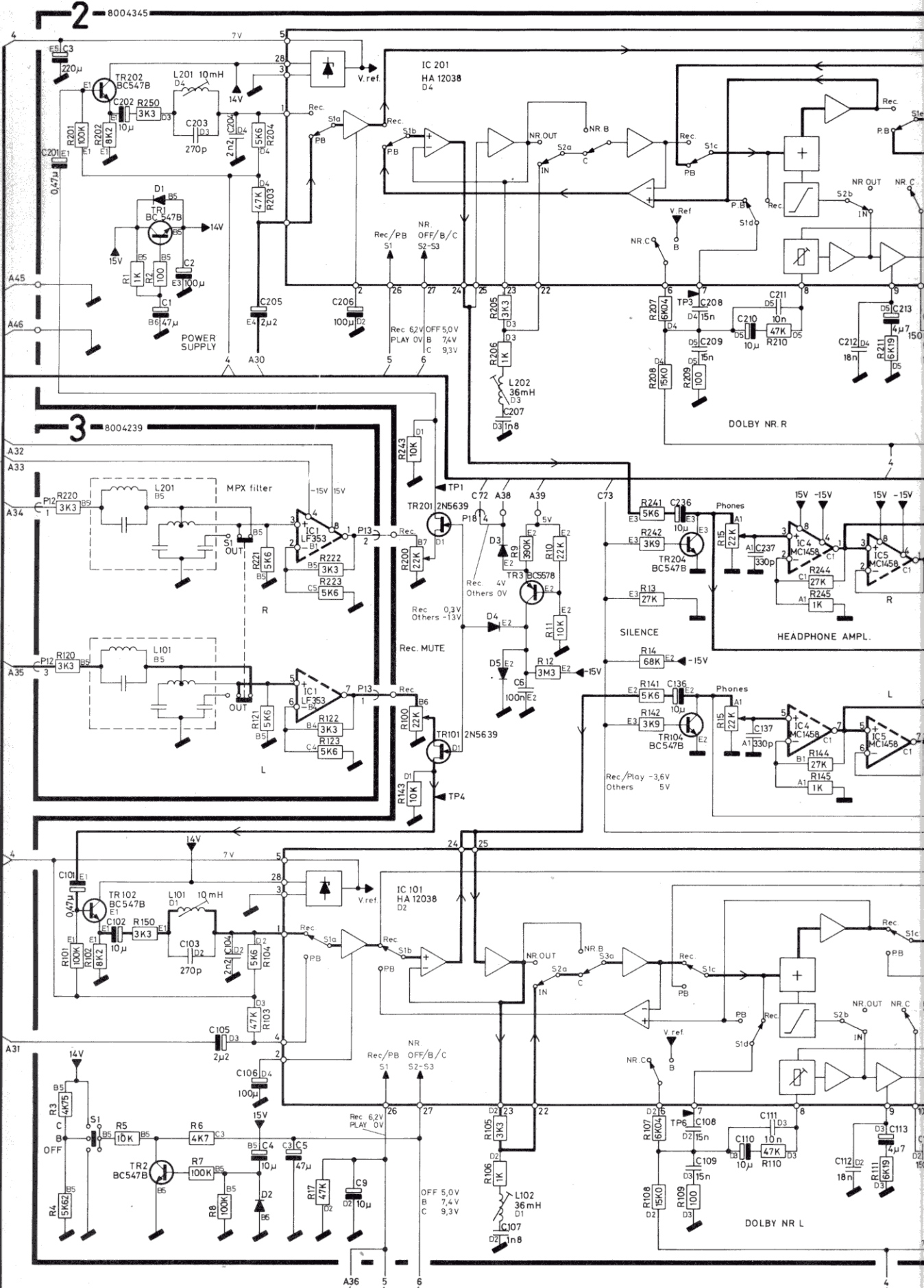
DIAGRAM A FOR BECORD 8004



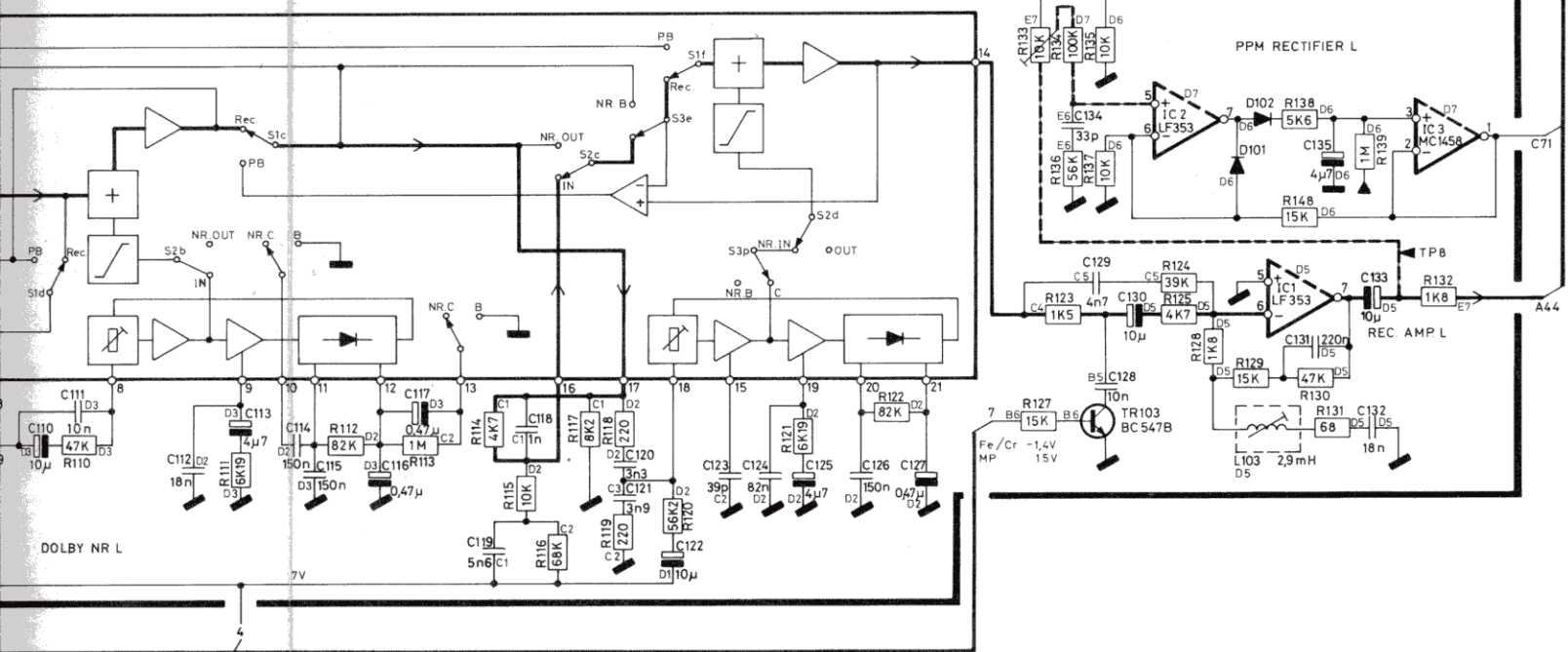
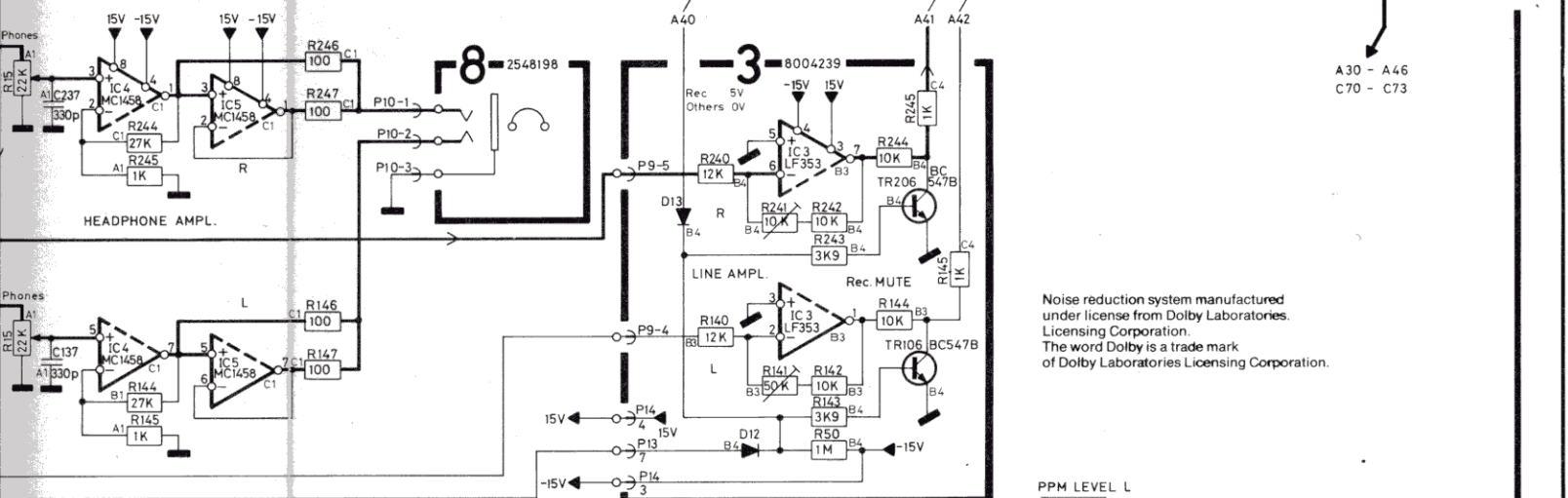
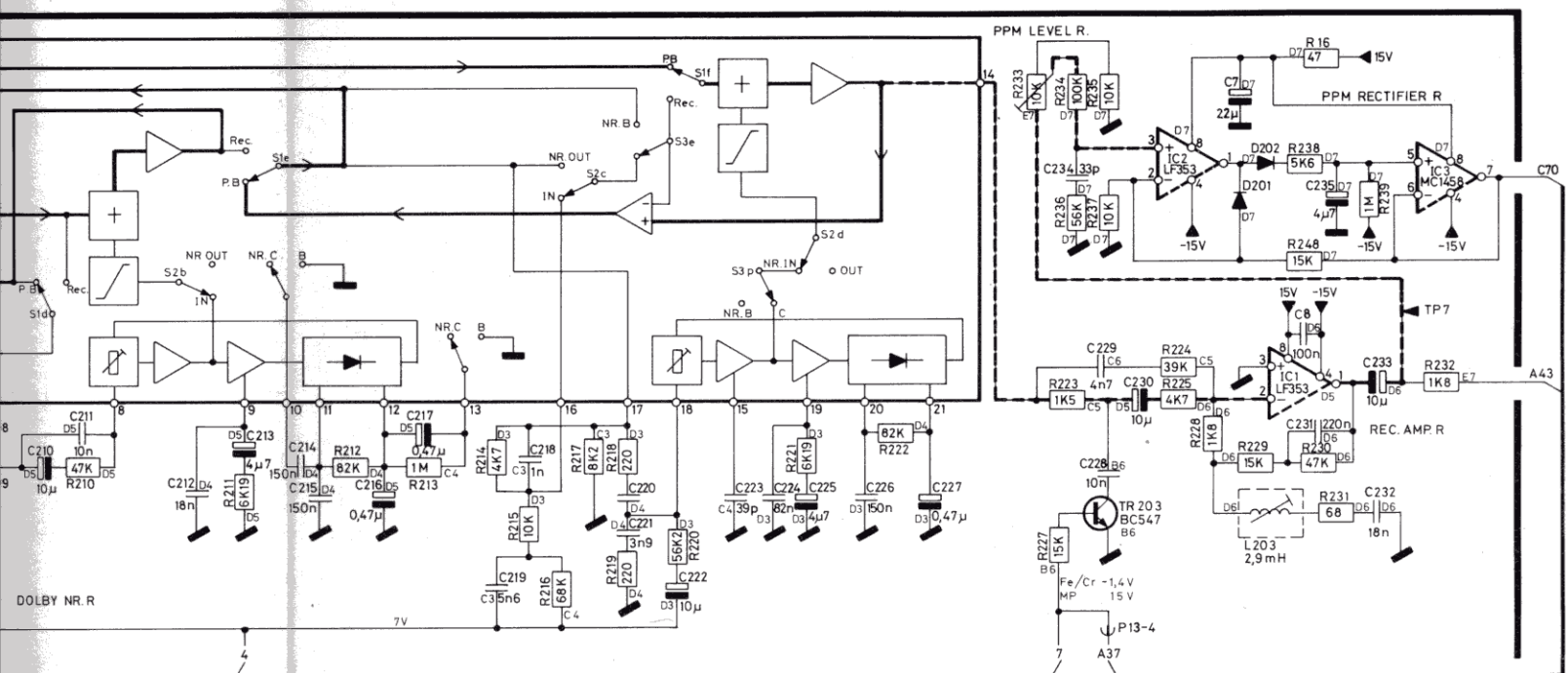


# Bang & Olufsen

## DIAGRAM B FOR BEOCORD 8004







A30 - A46  
C70 - C73

Noise reduction system manufactured under license from Dolby Laboratories Licensing Corporation. The word Dolby is a trade mark of Dolby Laboratories Licensing Corporation.

DIAGRAM C FOR BEOCORD 8004

