

Bang & Olufsen



BEOCORD 6000

Type 4831-4832-4833
4834-4835-4836-4837

BEOCORD 8002

Type 4841-4842-4843
4844-4845-4846-4847

BEOCORD 6002

Type 4851-4852-4853-
4854-4855-4856-4857

BEOCORD 8004

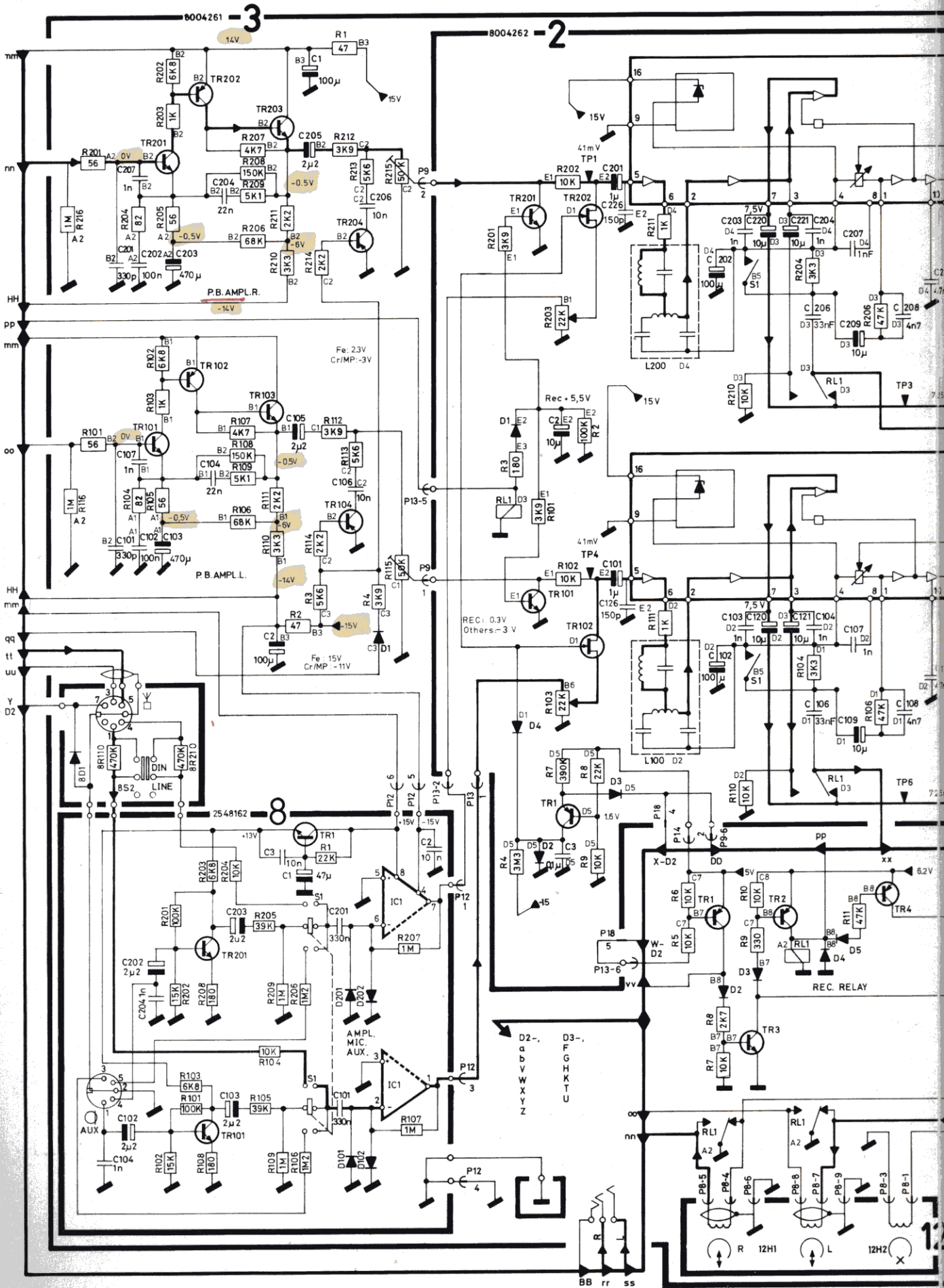
Type 4861-4862-4863
4864-4865-4866-4867

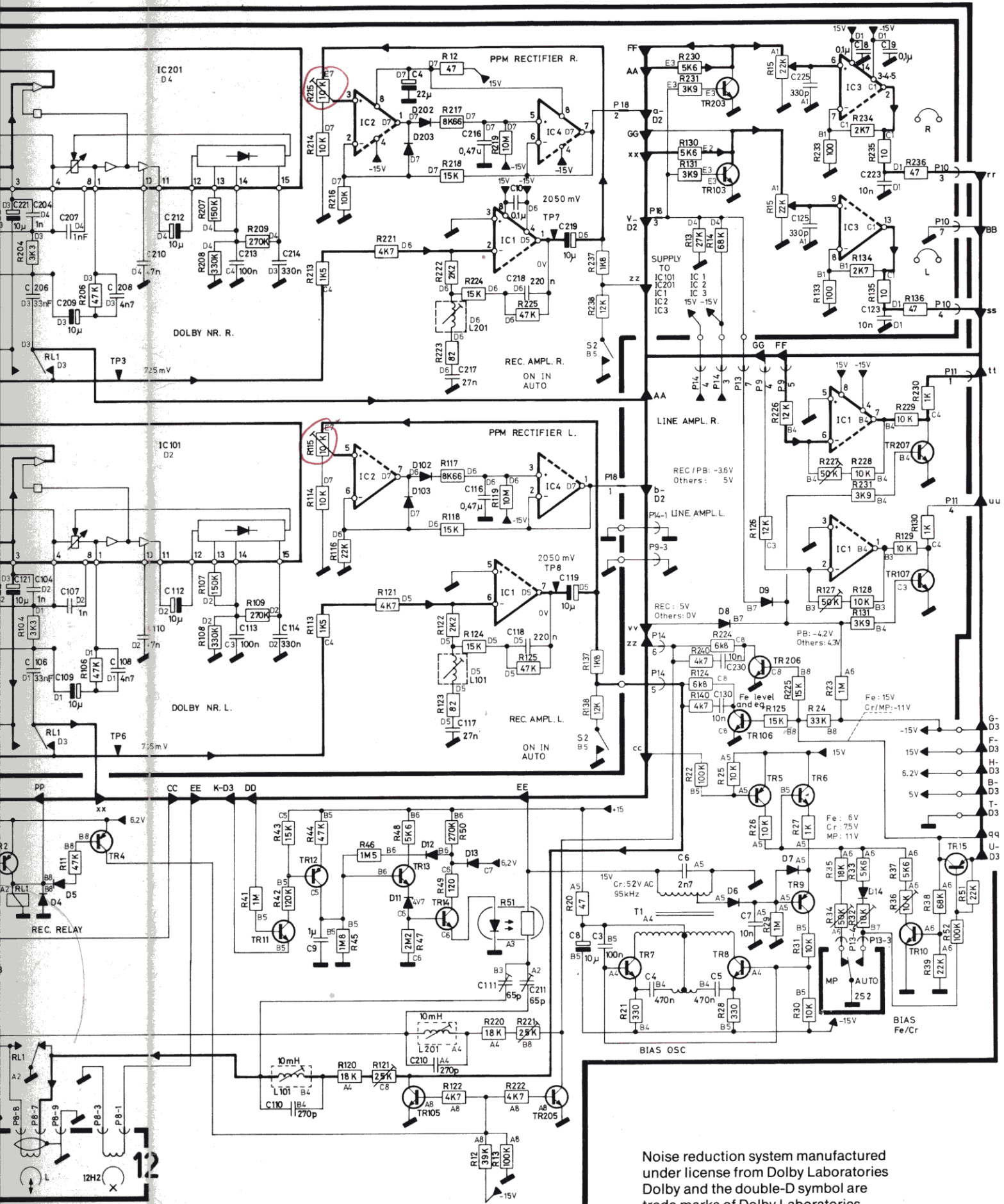
MANUEL d'ENTRETIEN



Bang & Olufsen

DIAGRAM 1 FOR BECORD 6000





Noise reduction system manufactured under license from Dolby Laboratories. Dolby and the double-D symbol are trade marks of Dolby Laboratories.

DIAGRAM 2 FOR BEOCORD 6000

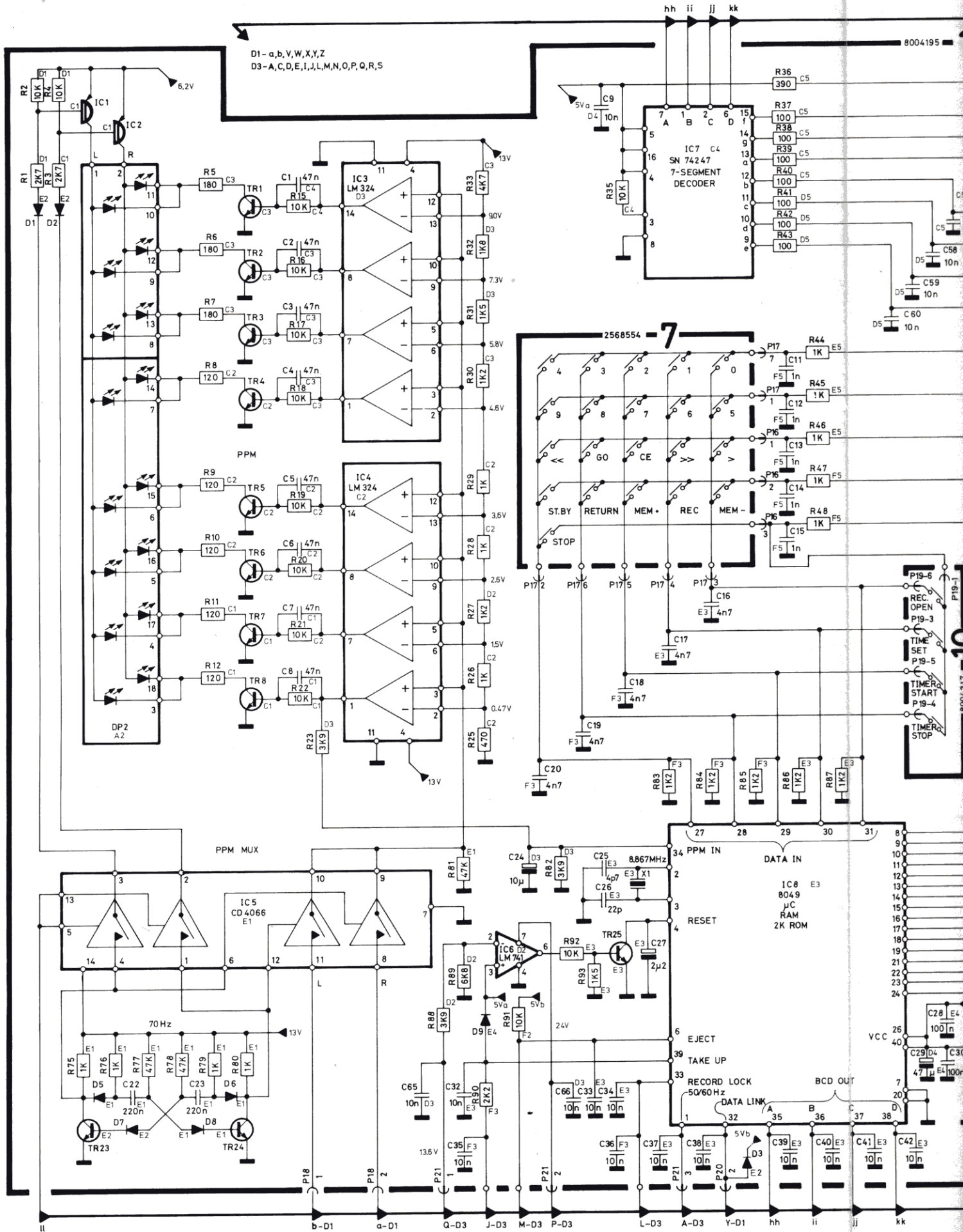
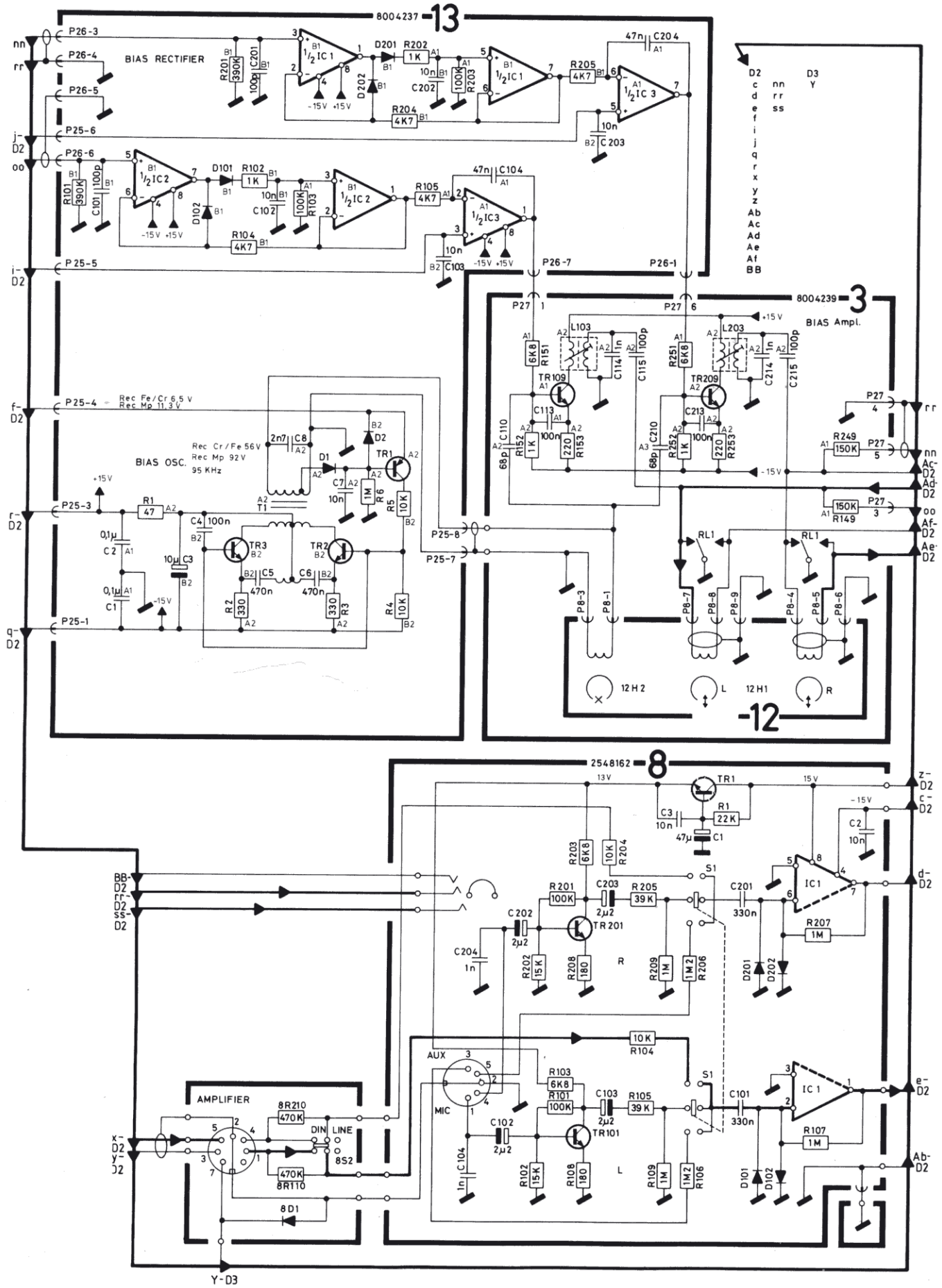
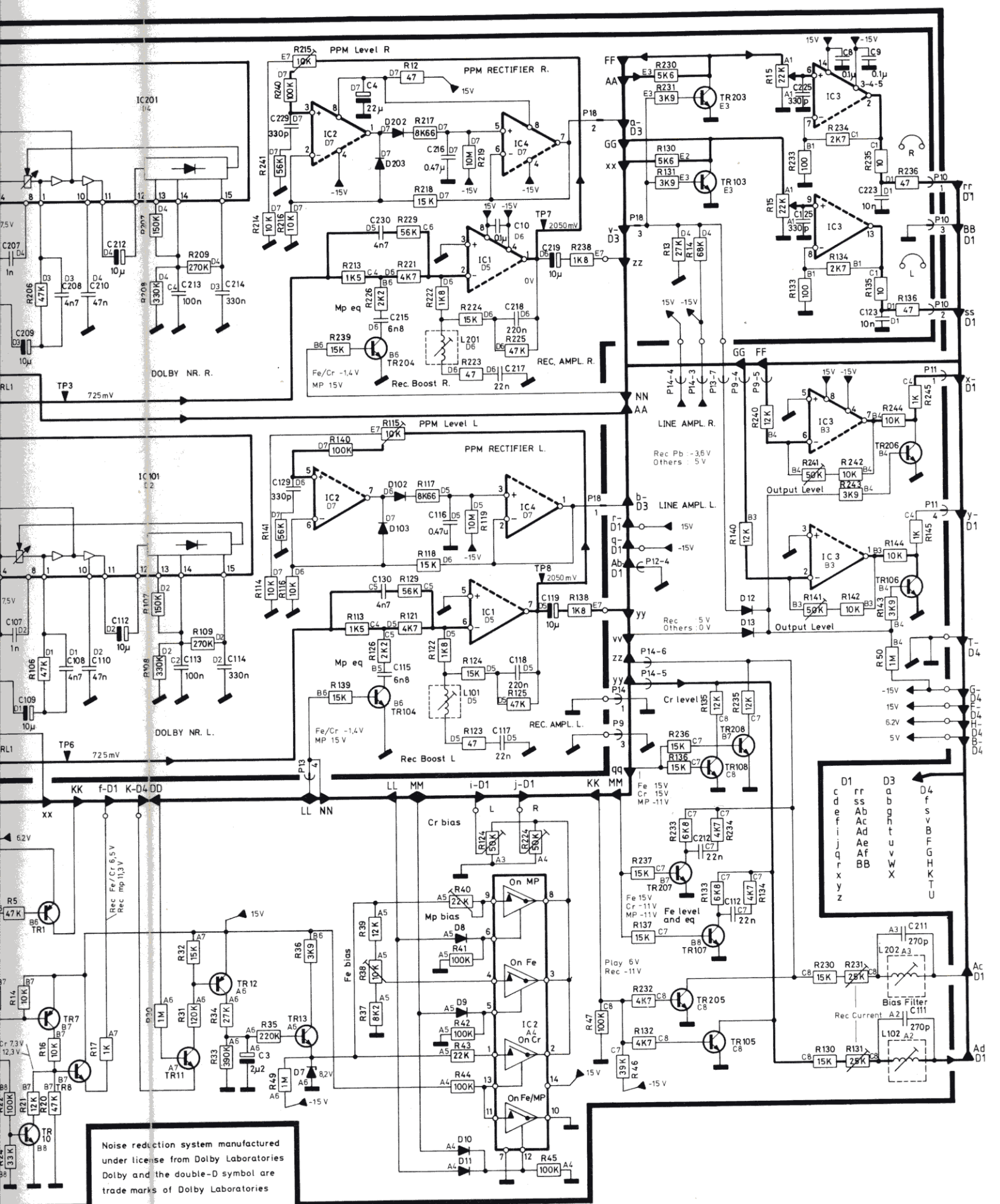


DIAGRAM 1 FOR BECORD 8002

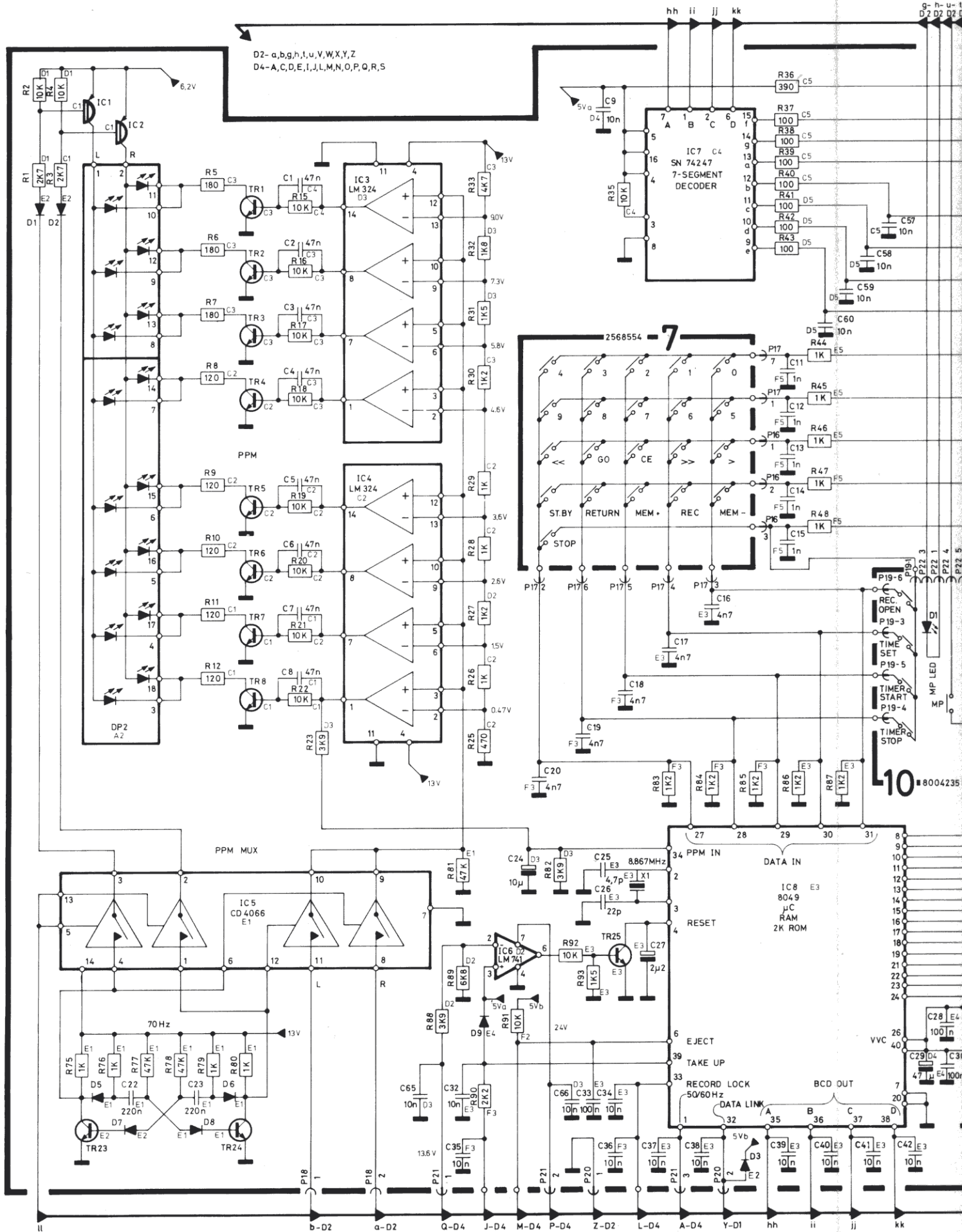




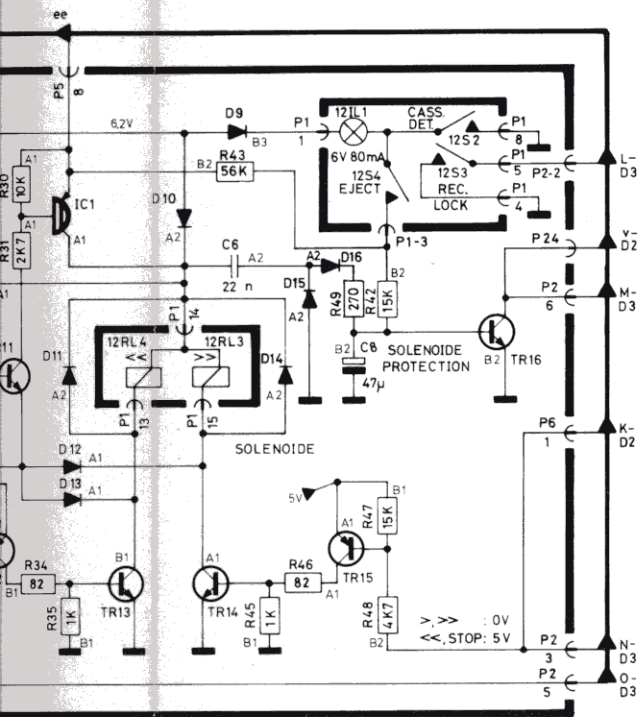
Noise reduction system manufactured under license from Dolby Laboratories. Dolby and the double-D symbol are trade marks of Dolby Laboratories.

D1	rr	D3	o	D4	f
c	ss	a	g	s	v
d	bb	b	h	t	B
e	Ac	c	t	v	F
f	Ad	d	u	v	G
i	Ae	e	v	w	H
j	Af	f	w	X	K
q	Bb	g	X		T
r		h			
x		i			
y		j			
z		k			

DIAGRAM 3 FOR BEOCORD 8002



10-8004235



Switches:

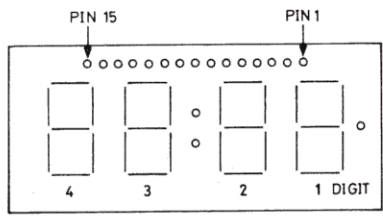
- 12S1 Fe₂O₃ ON, CrO₂ OFF.
- 12S2 With cass. ON, without OFF.
- 12S3 Rec. ON, Rec lock OFF.
- 12S4 Play ON, Press eject OFF.
- 12S5 MP OFF (With detector hole in cassette).

PIN ASSIGNMENT (BOTTOM VIEW)

- 1 COMMON CATHODE (POINTS)
- 2 LOWER POINT ANODE
- 3 UPPER POINT ANODE
- 4 -POINT ANODE
- 5 DIGIT 1 ANODE
- 6 DIGIT 2 ANODE
- 7 DIGIT 3 ANODE
- 8 DIGIT 4 ANODE
- 9 SEG. fCATHODE
- 10 SEG. gCATHODE
- 11 SEG. aCATHODE
- 12 SEG. bCATHODE
- 13 SEG. cCATHODE
- 14 SEG. dCATHODE
- 15 SEG. eCATHODE

Type 4842
 Explanation of the fuse symbols used in the set:
 Explication de symboles du fusible utilisés dans l'appareil:

- Replace with same type 0,5 ampere 250volts slow acting fuse.
Remplacer par un fusible de meme type retardé et de 0,5 ampere 250 volts.
- Replace with same type 250 milliampere 250volts slowacting fuse.
Remplacer par un fusible de meme type retardé et de 250 milliampere 250 volts.
- Replace with same type 800milliampere 250volts quick acting fuse.
Remplacer par un fusible de meme type rapide et de 800 milliampere 250 volts.



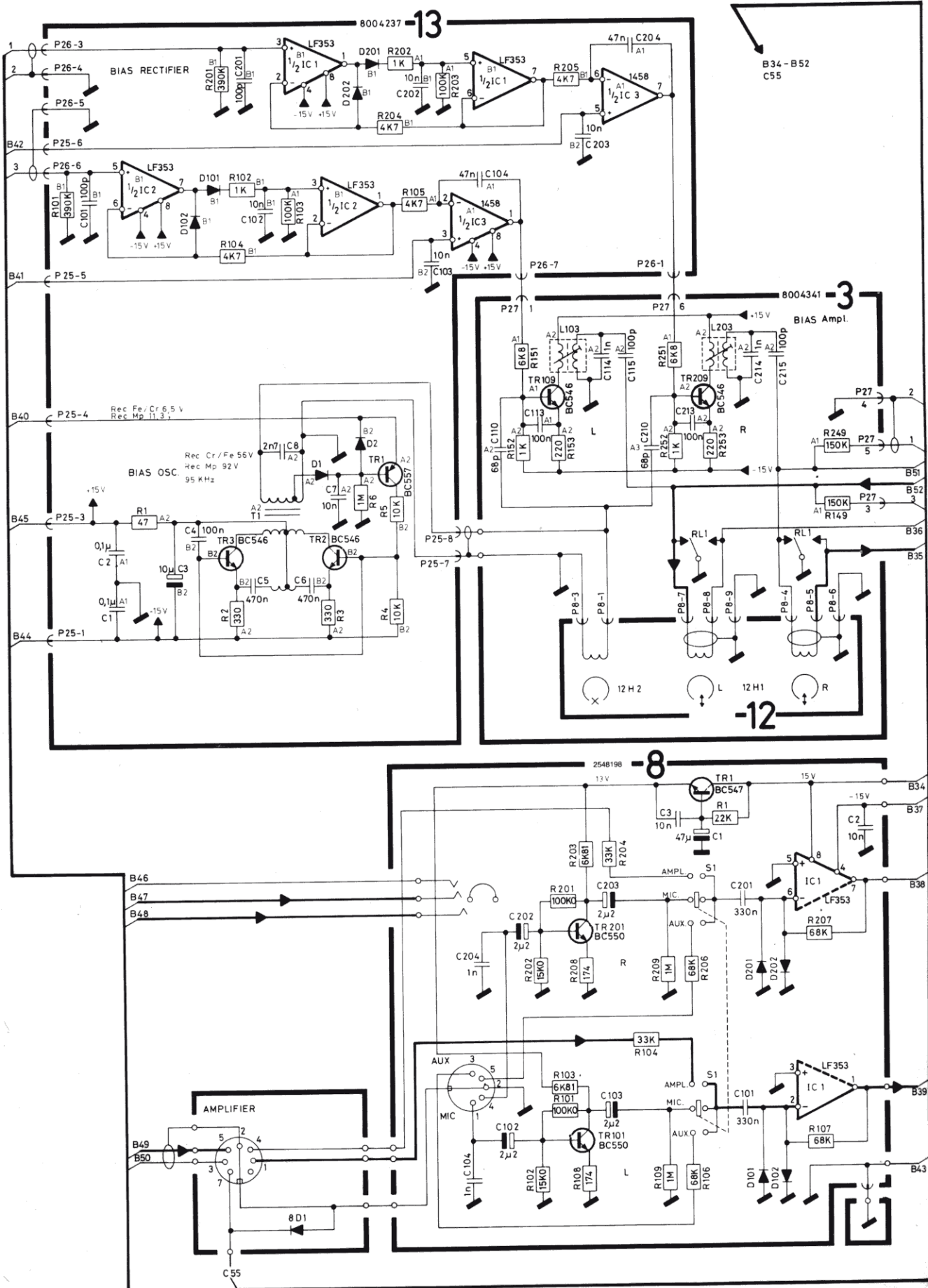
FUNCTION TABLE 11C7 (SN74247)

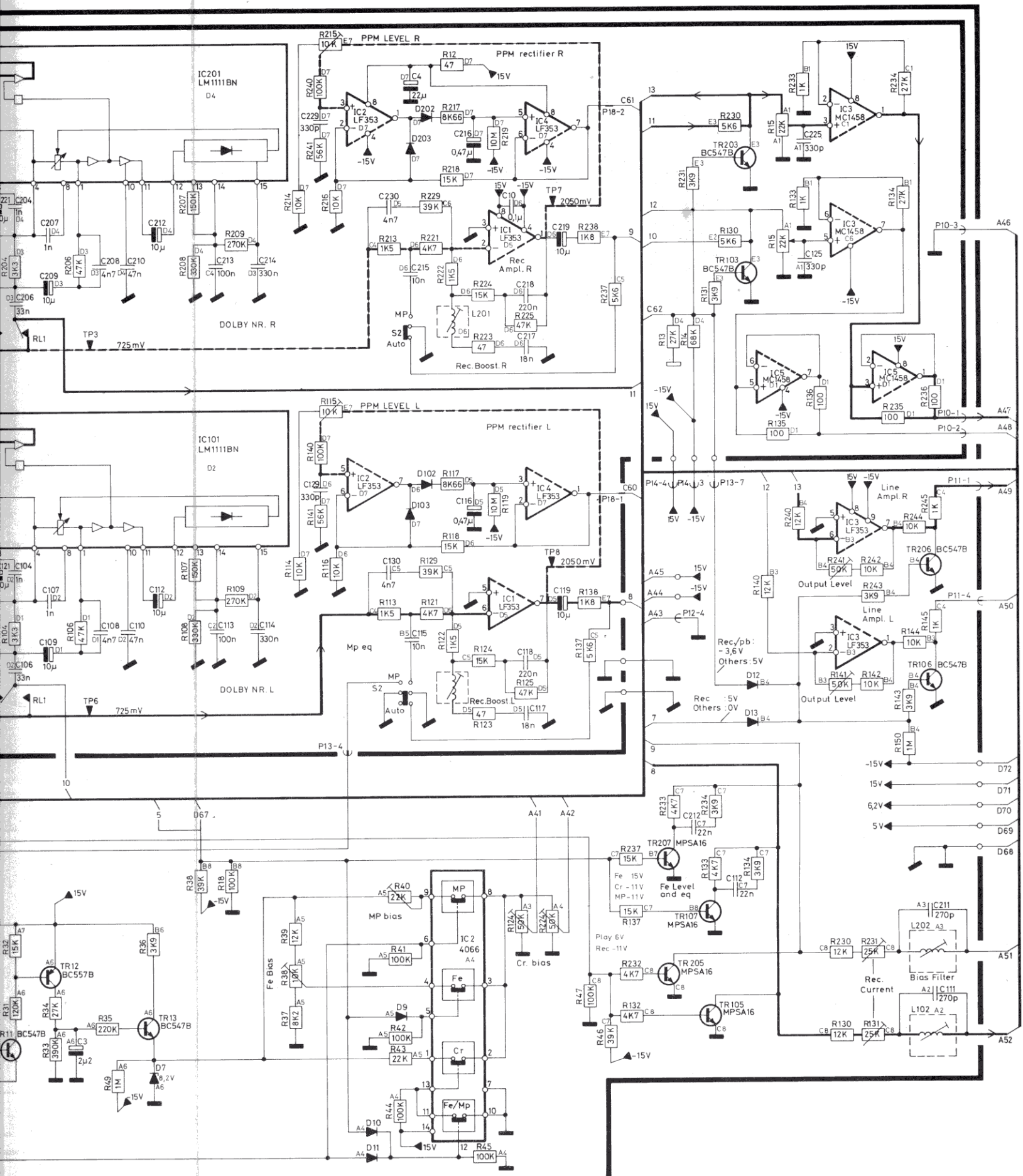
DECIMAL ON DISPLAY	INPUTS				OUTPUTS								
	D	C	B	A	a	b	c	d	e	f	g		
0	0	0	0	0	0	0	0	0	0	0	0	1	
1	0	0	0	1	1	0	0	1	1	1	1	1	
2	0	0	1	0	0	0	1	0	0	1	0	0	
3	0	0	1	1	0	0	0	0	1	1	0	0	
4	0	1	0	0	1	0	0	1	1	0	0	0	
5	0	1	0	1	0	1	0	0	1	0	0	0	
6	0	1	1	0	0	1	0	0	0	0	0	0	
7	0	1	1	1	0	0	0	1	1	1	1	1	
8	1	0	0	0	0	0	0	0	0	0	0	0	
9	1	0	0	1	0	0	0	0	1	0	0	0	
∩	1	0	1	1	1	1	0	0	1	1	0	0	
⊔	1	0	1	0	1	1	1	0	0	1	0	0	
∪	1	1	0	0	1	0	1	1	1	0	0	0	
⊥	1	1	0	1	0	1	1	0	1	0	0	0	
	1	1	1	1	1	1	1	1	1	1	1	1	

FUNCTION TABLE FOR MICROCOMPUTER 11C8-11C9

PIN	CONDITIONS			FUNCTION	RESULTS							
	11C8	11C8	11C8		11C9							
	4	33	6		24	25	26	27	28	37	30	29
	1			STAND BY	1	1	1	0	0	1		
	1	1	1	REC OPEN			1		0	0	0	1
	1	1	1	RECORD	0	0	0	1	1	0	0	0
	1			STOP	1	1	1	0	0	0		1
	1		1	»»	0	1	1	0	0	0		1
	1		1	««	1	0	1	0	0	0		1
	1		1	>	0	0	1	1	0	0		1
	1	1	1	REC PAUSE	1	1	0	1	1	0	0	1/0

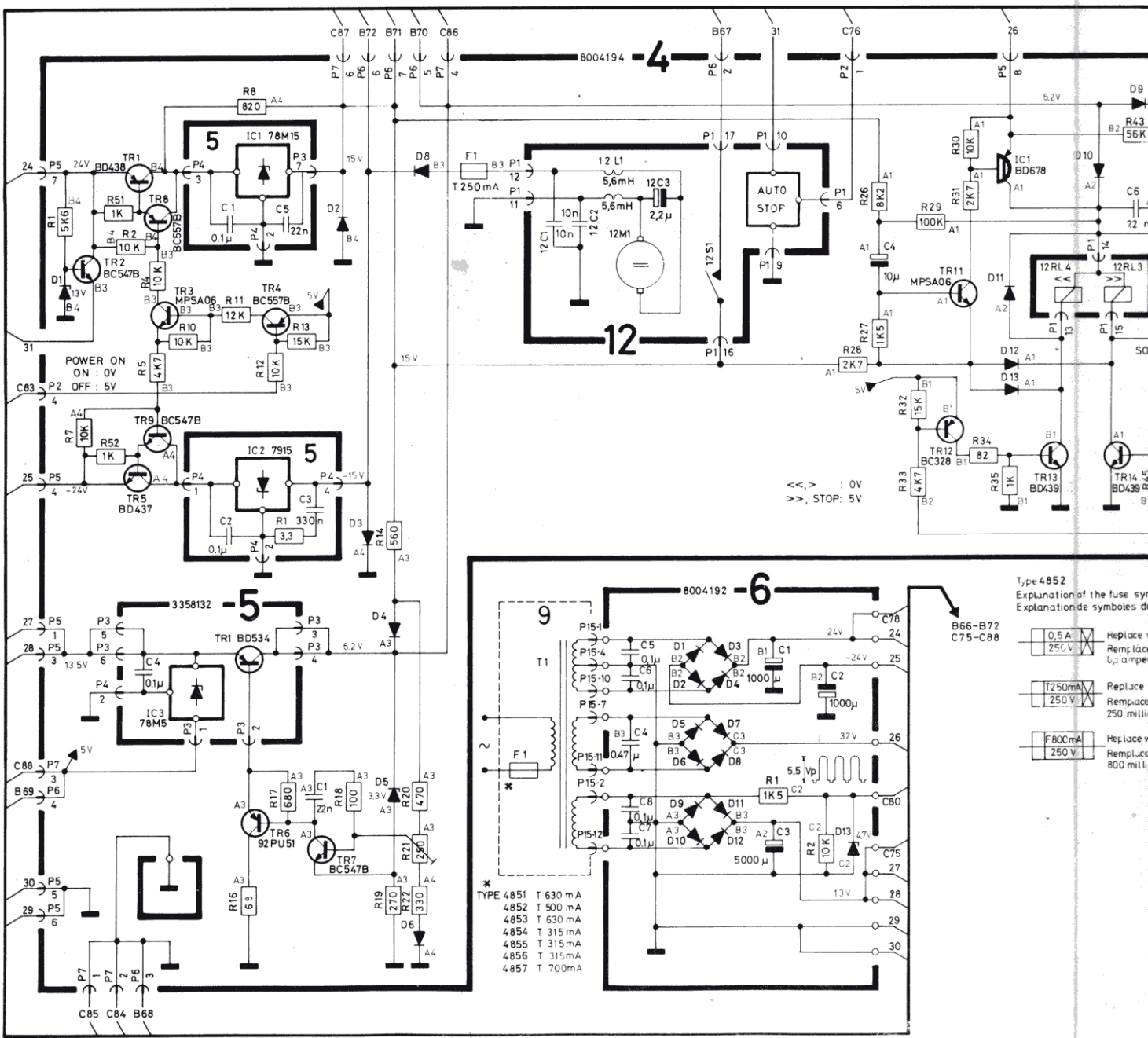
DIAGRAM A FOR BECORD 6002





Bang & Olufsen

DIAGRAM D FOR BEOCORD 6002



<< >> : 0V
 >> STOP: 5V

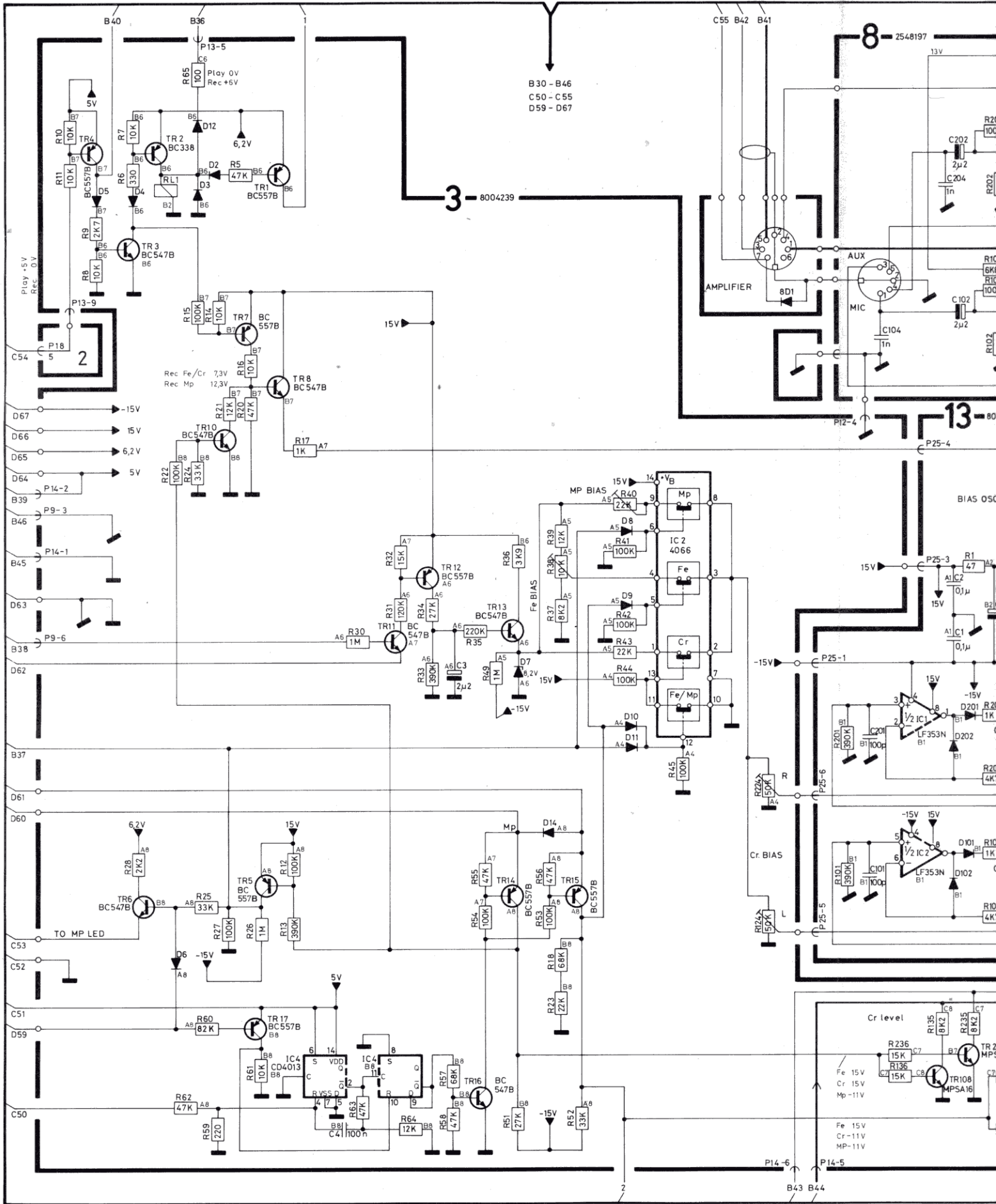
Type 4852
 Explanation of the fuse symbols
 Explication des symboles de fusibles

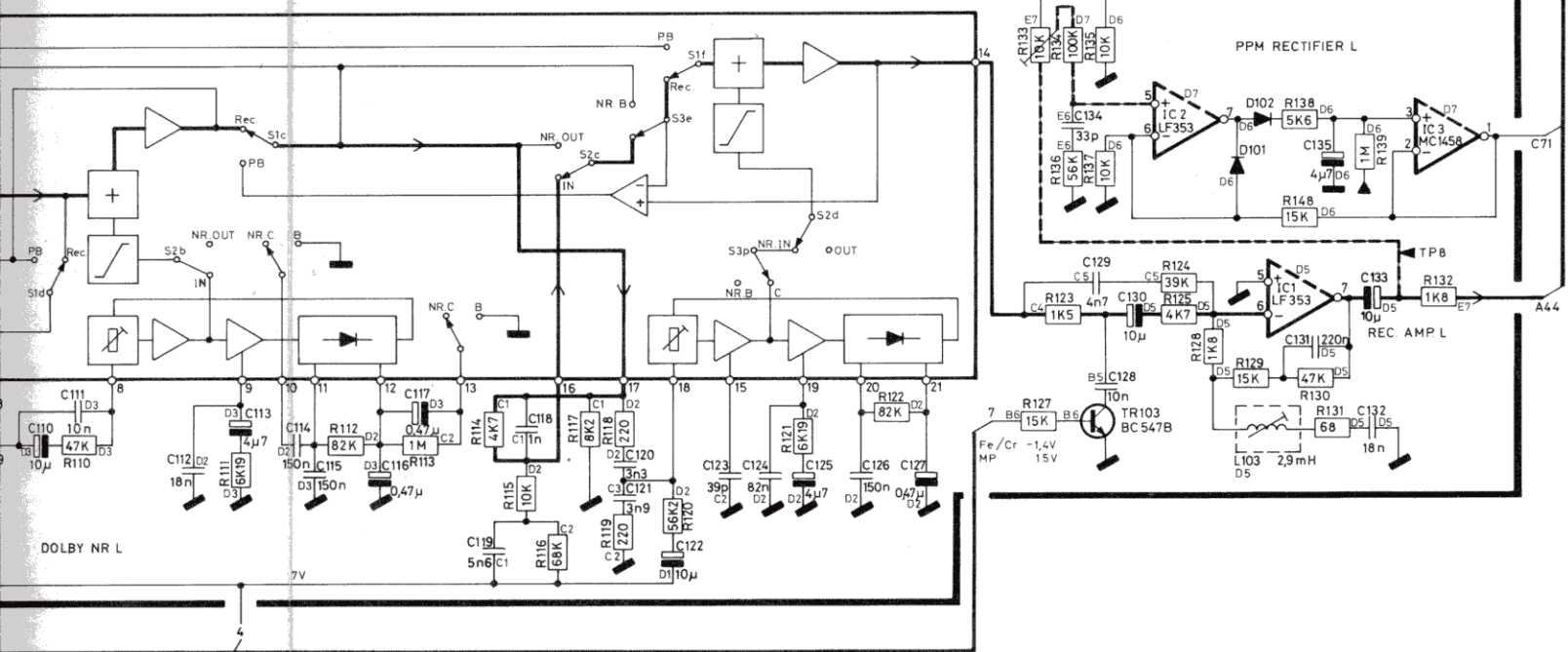
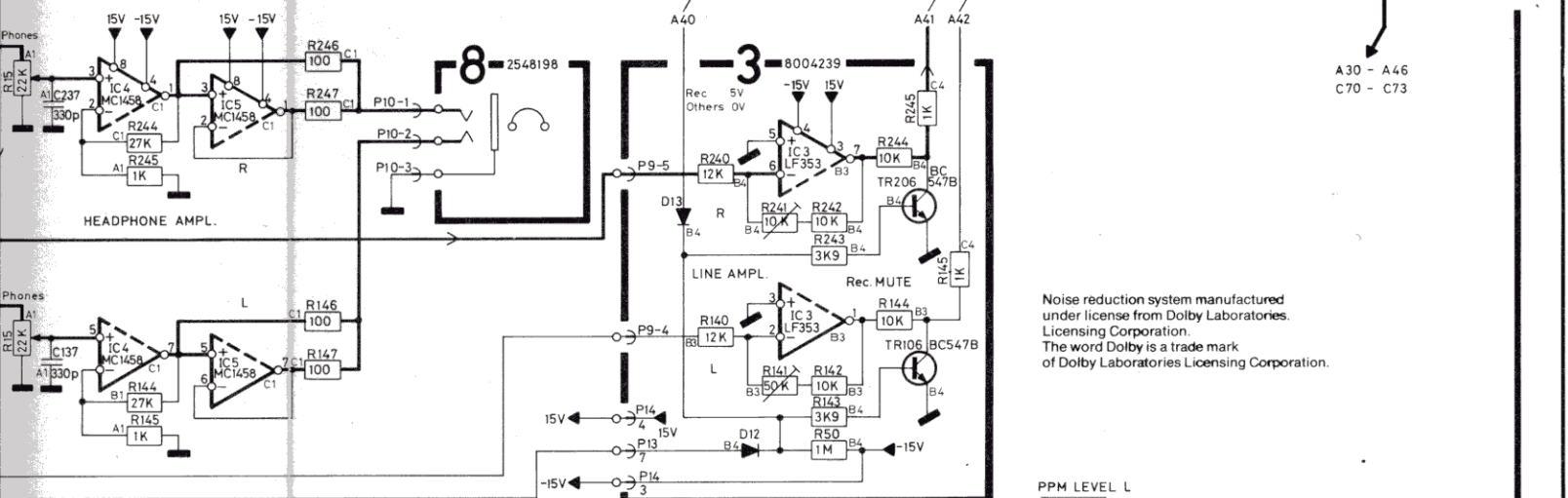
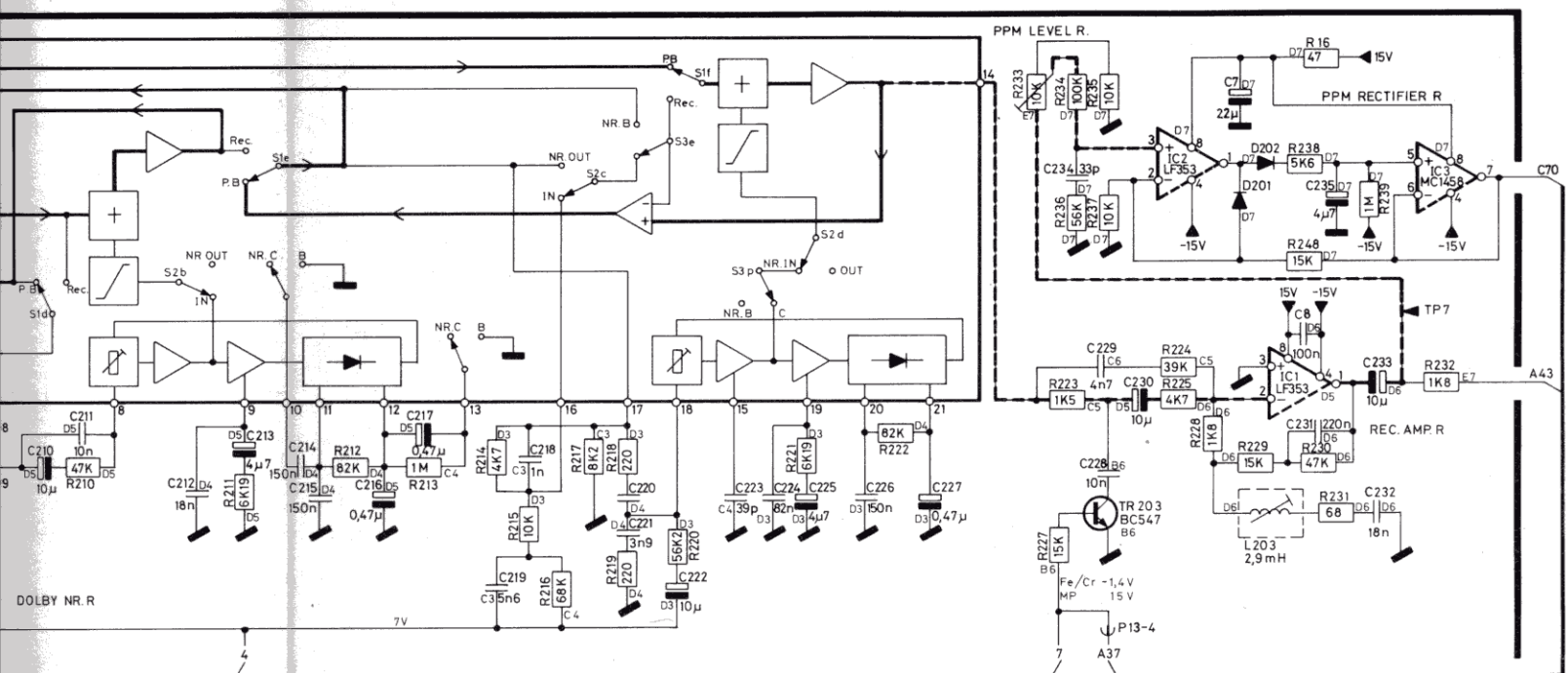
- 0.5 A HePlace with Remplacez avec 0.5 ampere
- T250mA Replacé with Remplacez par 250 milliamperes
- F 800mA HePlace with Remplacez par 800 milliamperes

- * TYPE 4851 T 630 mA
 4852 T 500 mA
 4853 T 630 mA
 4854 T 315 mA
 4855 T 315 mA
 4856 T 315 mA
 4857 T 700 mA

FUNCTION	CONDITIONS		
	1IC8	1IC8	1
PIN	4	33	
	1		
	1	1	
	1	1	
	1		
	1		
	1		
	1	1	

DIAGRAM A FOR BECORD 8004



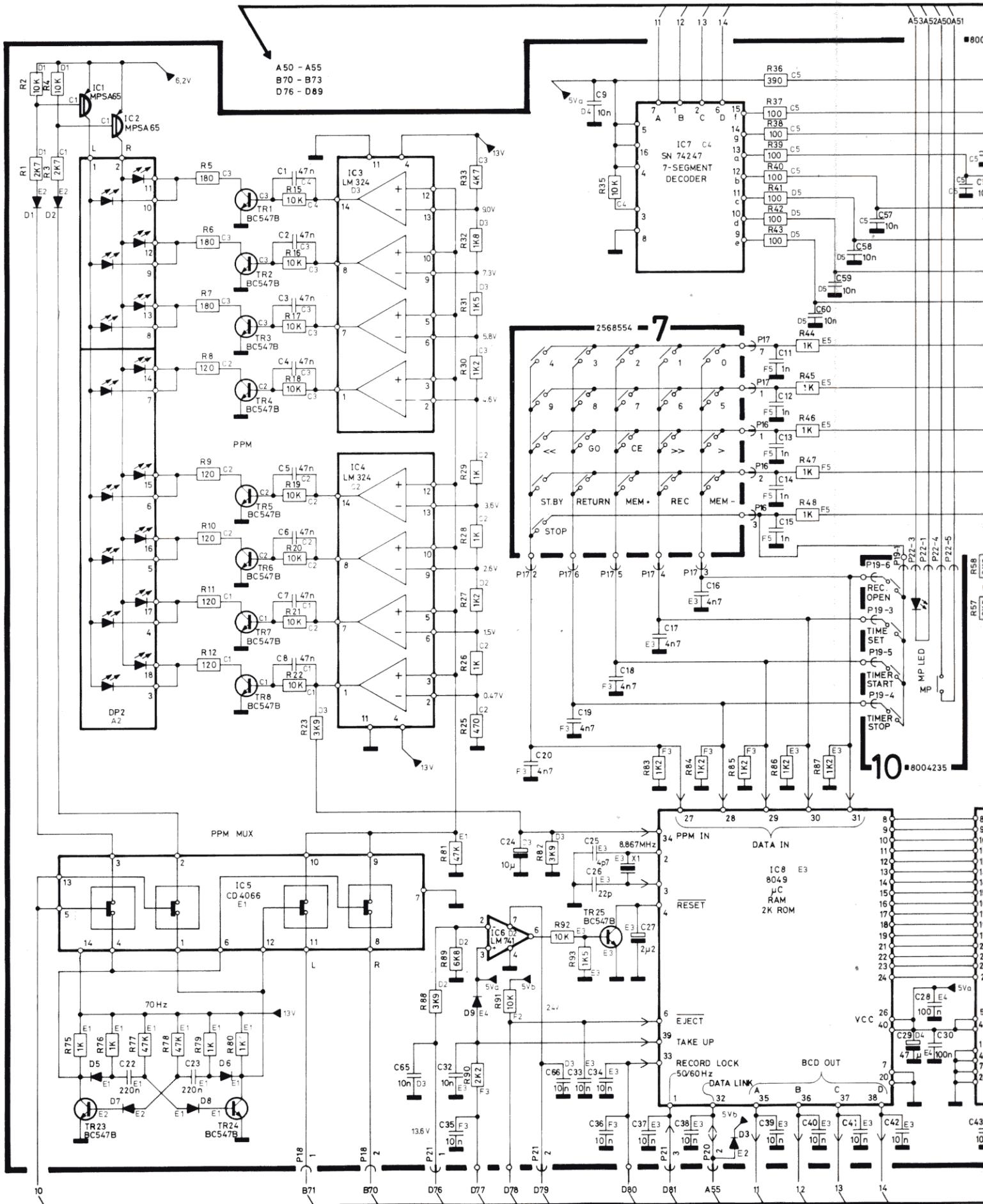


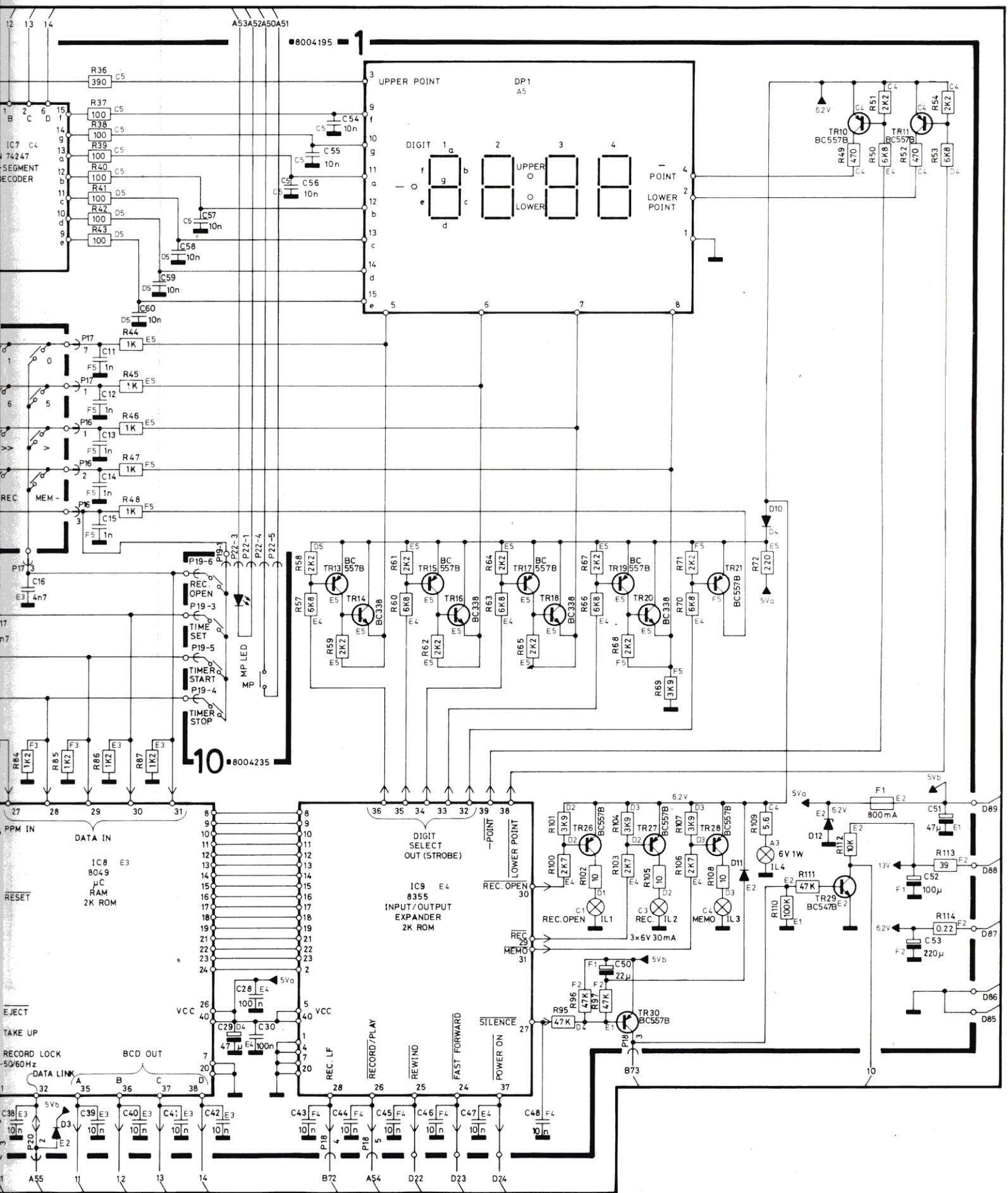
Noise reduction system manufactured under license from Dolby Laboratories Licensing Corporation. The word Dolby is a trade mark of Dolby Laboratories Licensing Corporation.

A30 - A46
C70 - C73

Fe/Cr -1.4V
15V
MP

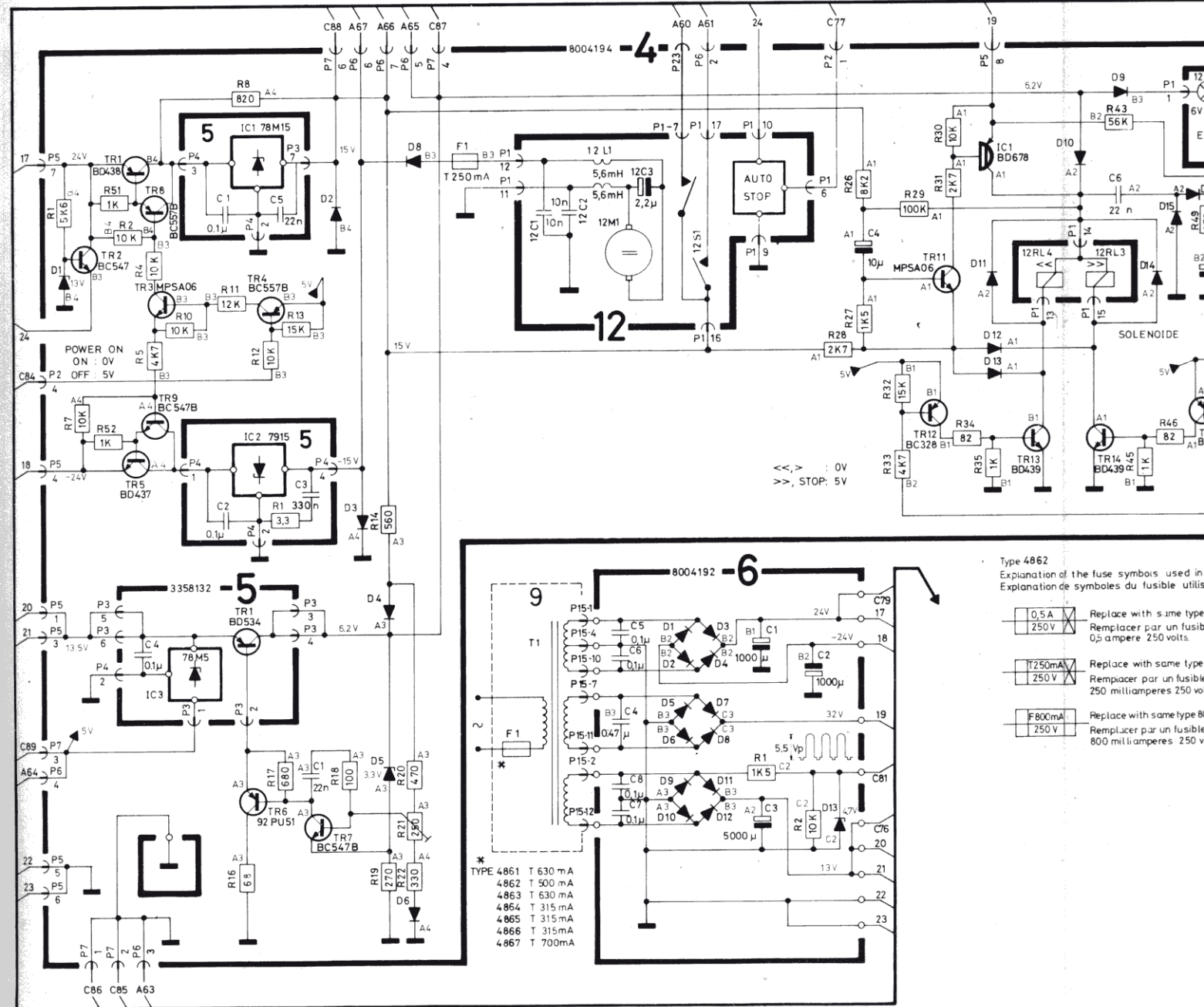
DIAGRAM C FOR BEOCORD 8004





Bang & Olufsen

DIAGRAM D FOR BEOCORD 8004



FUNCTION TABLE

PIN	CONDITIONS		
	11C8	11C8	11C8
1	4	33	6
1			
1	1	1	1
1	1	1	1
1			
1			
1	1	1	1
1	1	1	1

