

# Bang & Olufsen



## **BEOCORD 6000**

Type 4831-4832-4833  
4834-4835-4836-4837

## **BEOCORD 8002**

Type 4841-4842-4843  
4844-4845-4846-4847

## **BEOCORD 6002**

Type 4851-4852-4853-  
4854-4855-4856-4857

## **BEOCORD 8004**

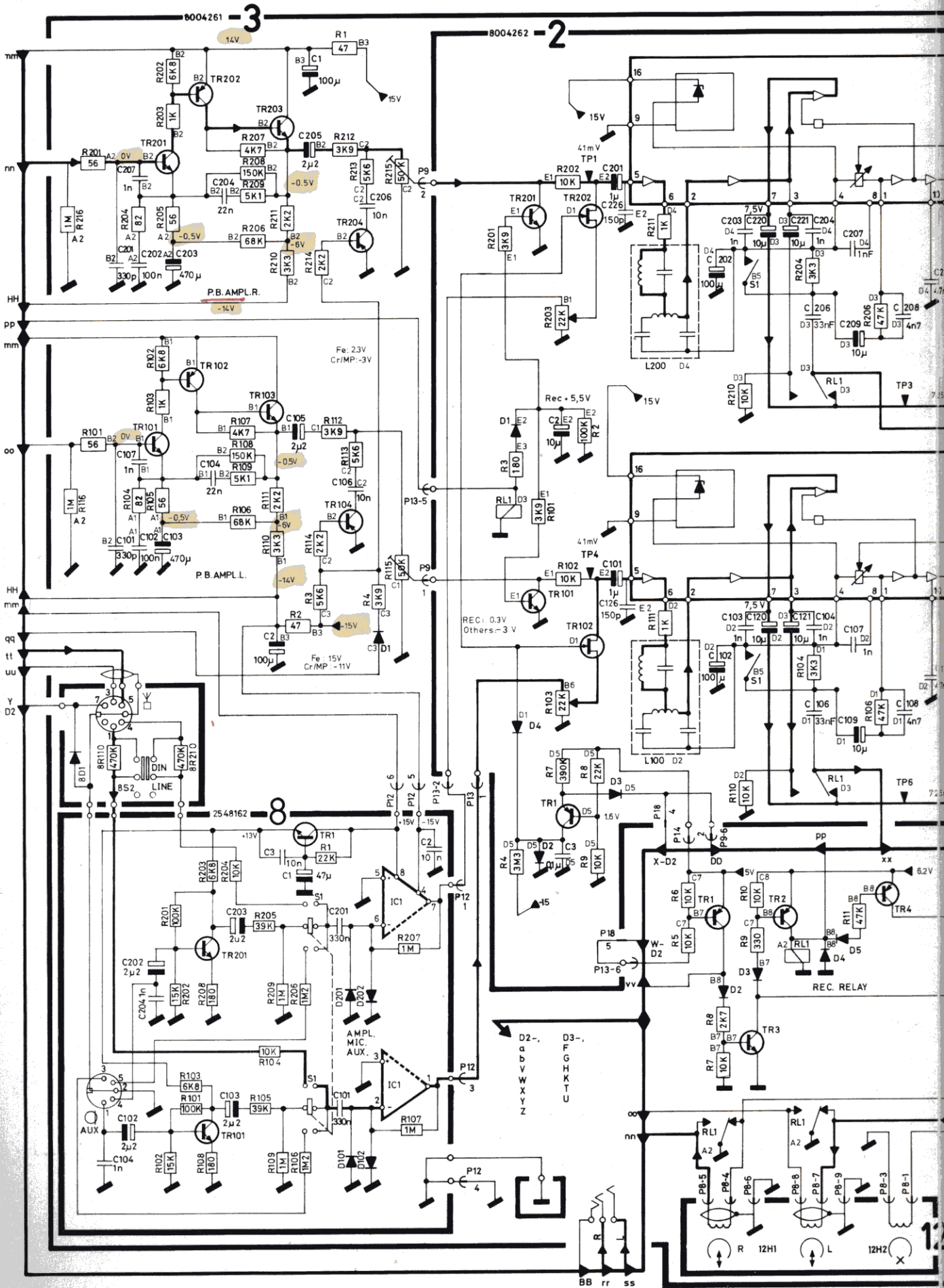
Type 4861-4862-4863  
4864-4865-4866-4867

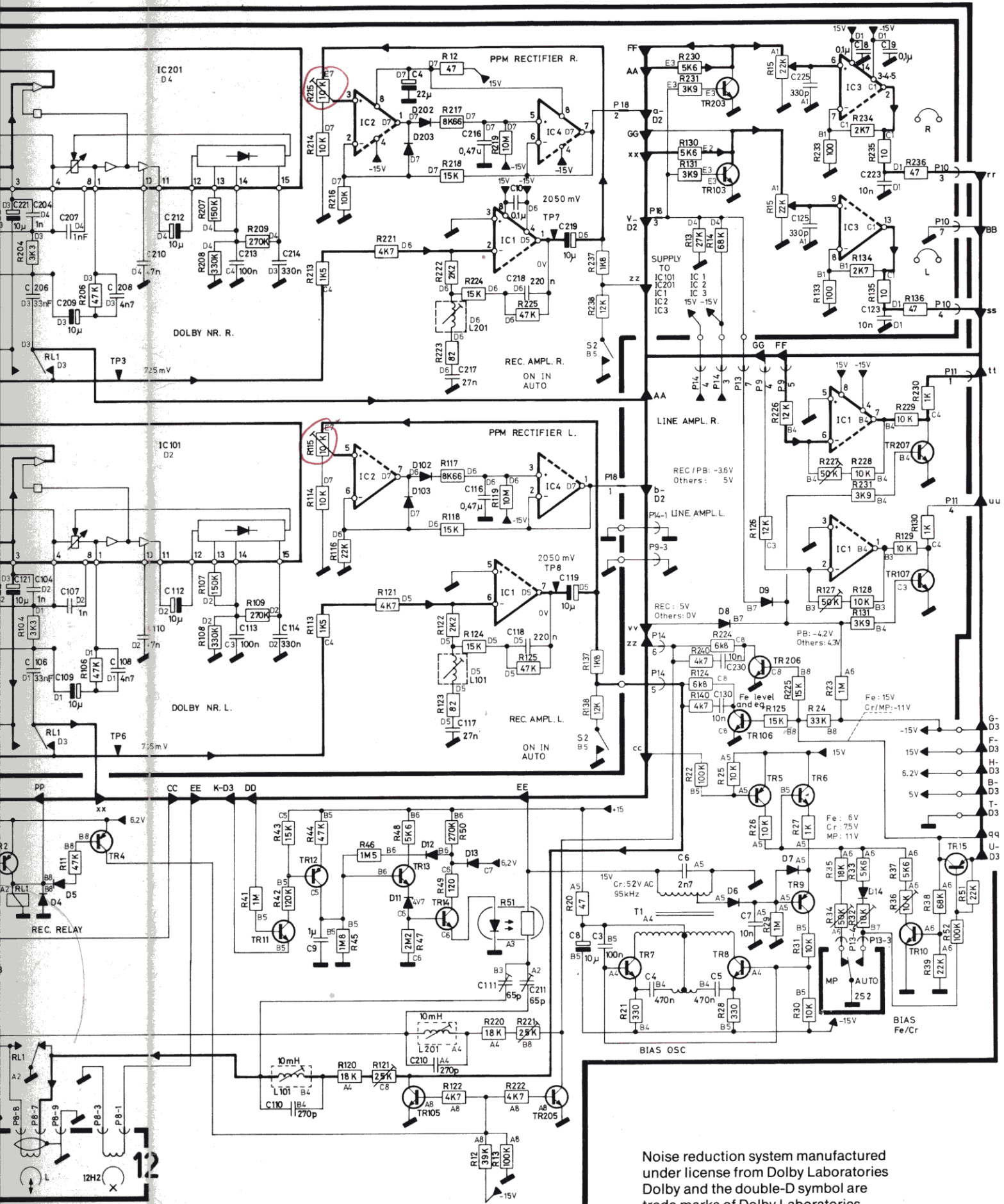
MANUEL d'ENTRETIEN



# Bang & Olufsen

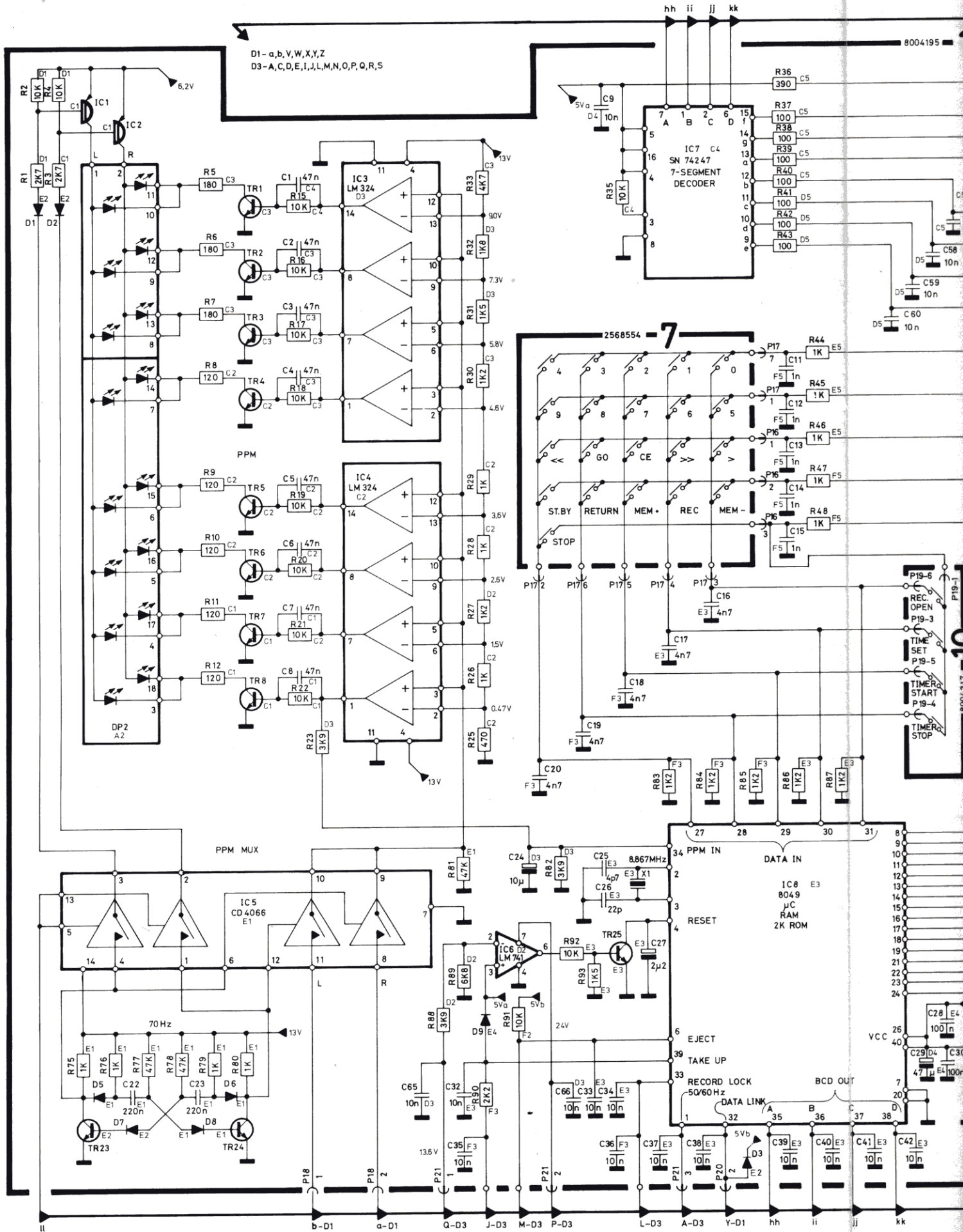
## DIAGRAM 1 FOR BECORD 6000

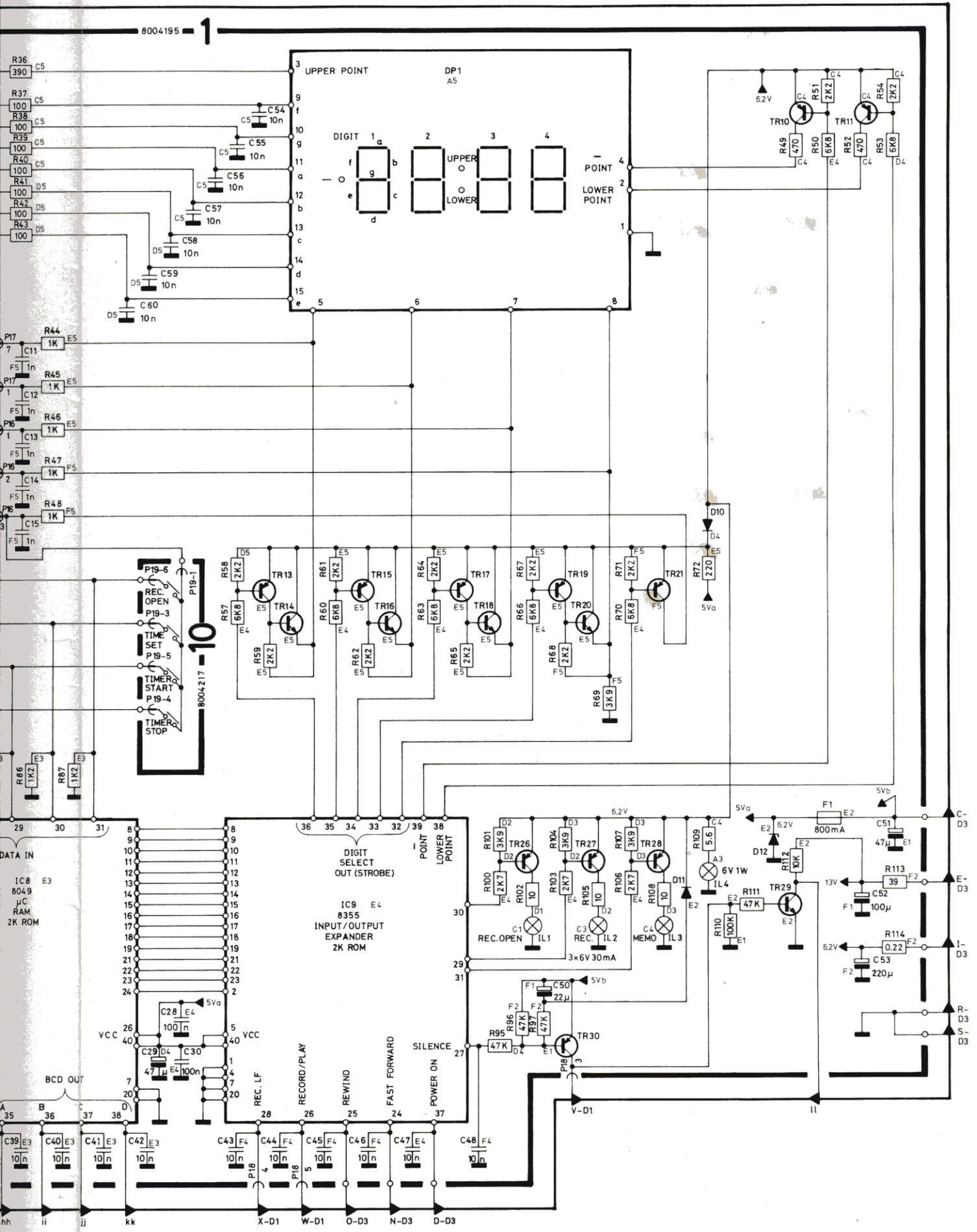




Noise reduction system manufactured under license from Dolby Laboratories. Dolby and the double-D symbol are trade marks of Dolby Laboratories.

## DIAGRAM 2 FOR BEOCORD 6000

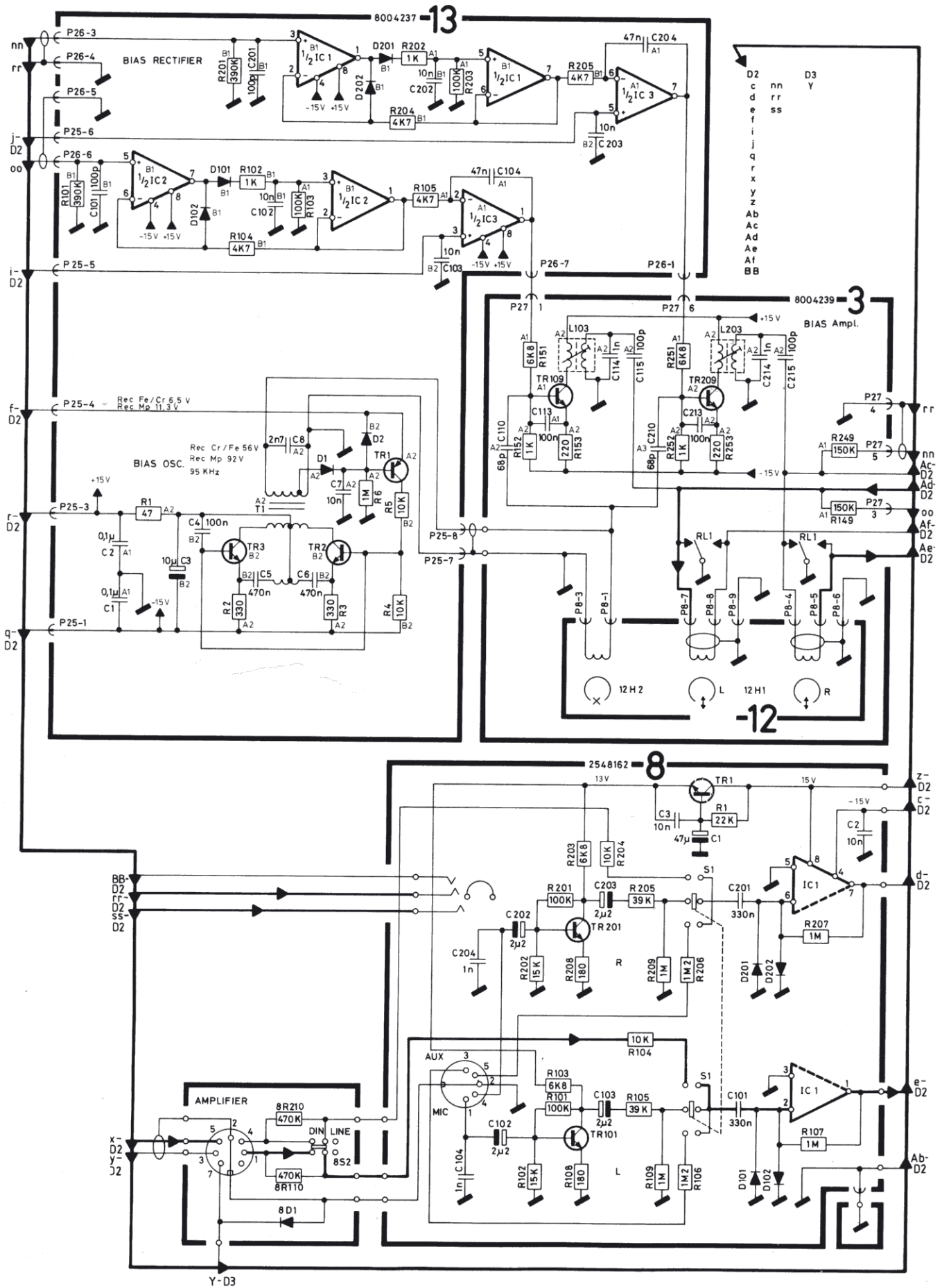








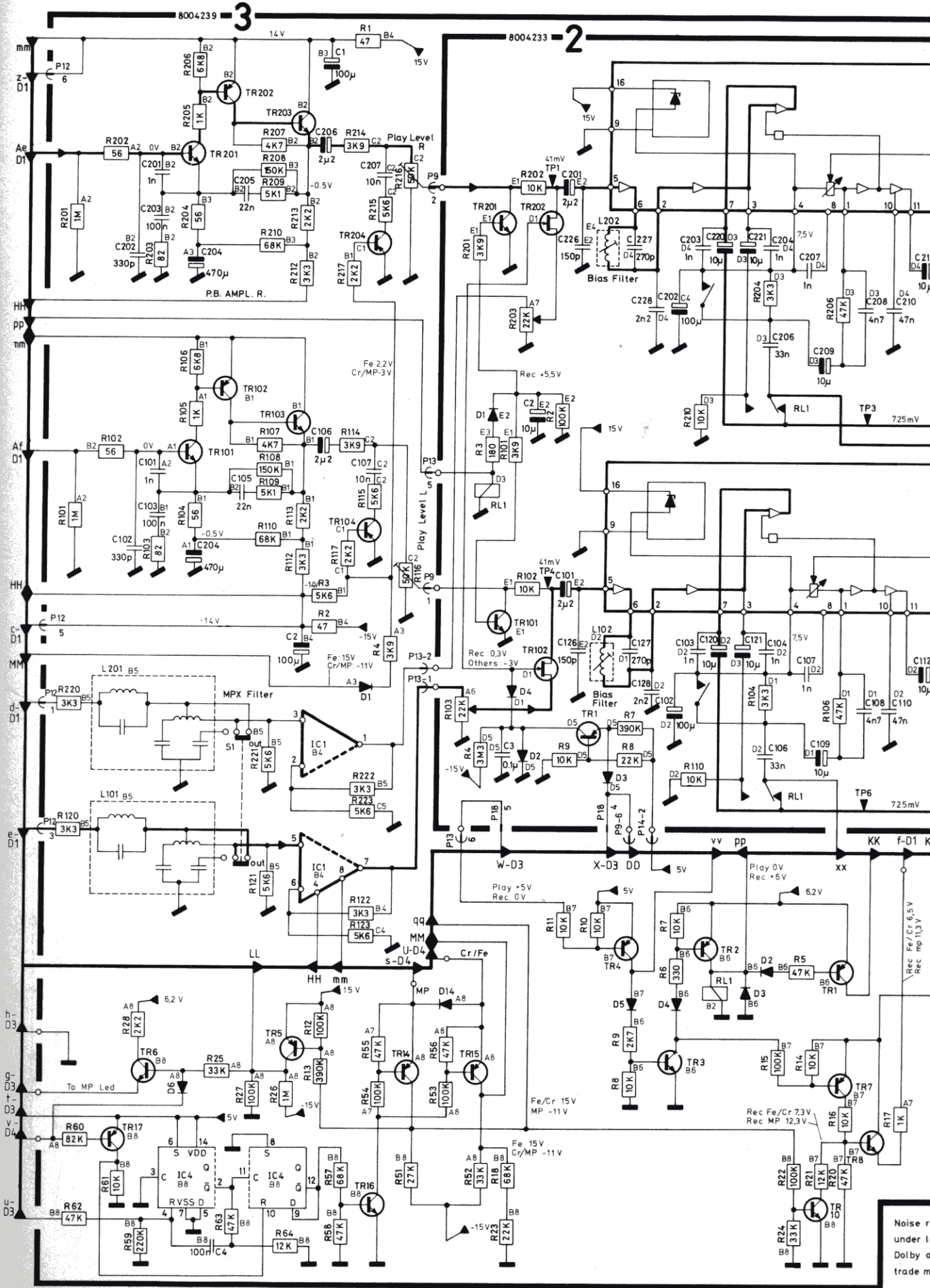
## DIAGRAM 1 FOR BECORD 8002



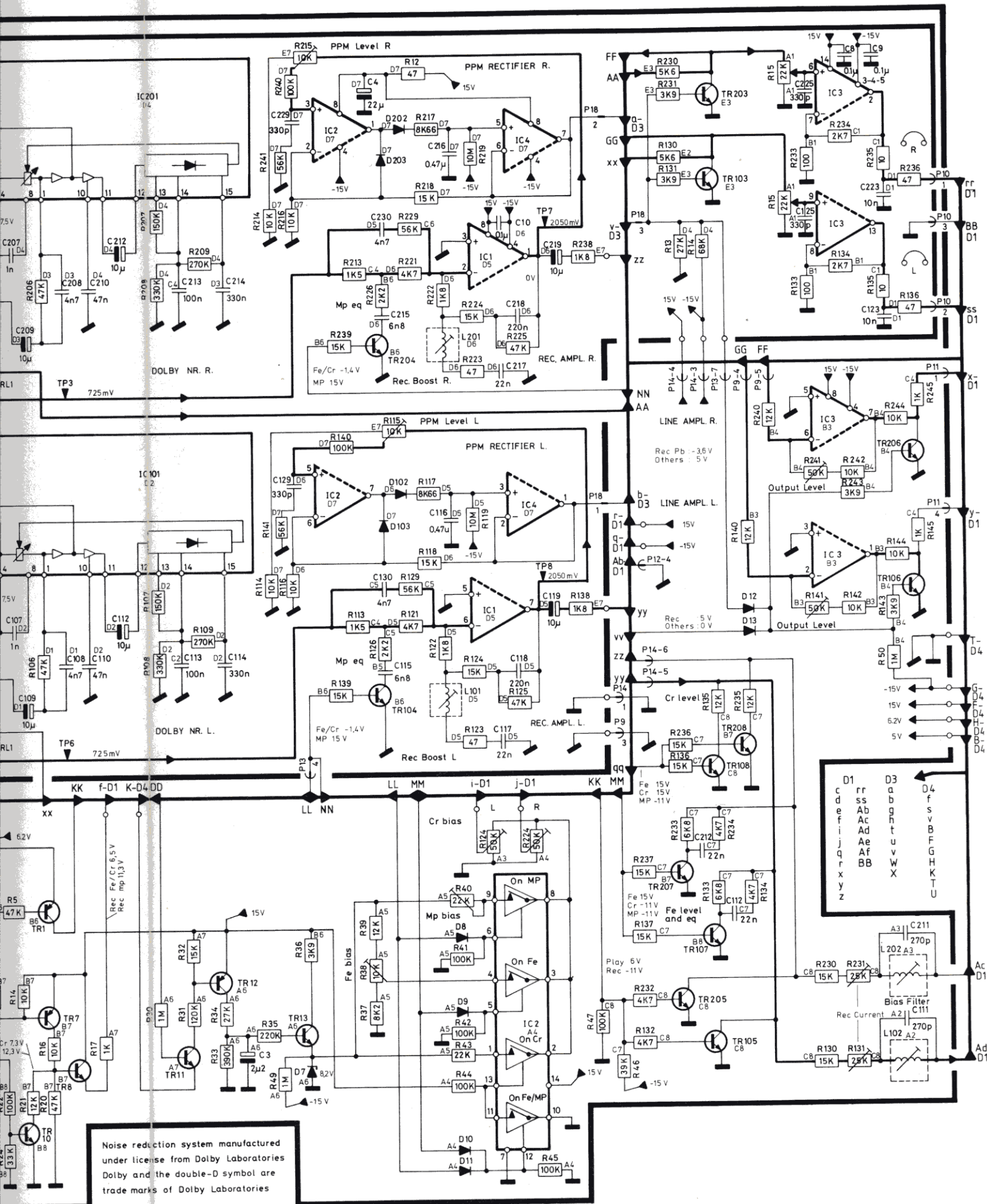


# Bang & Olufsen

DIAGRAM 2 FOR BEOCORD 8002

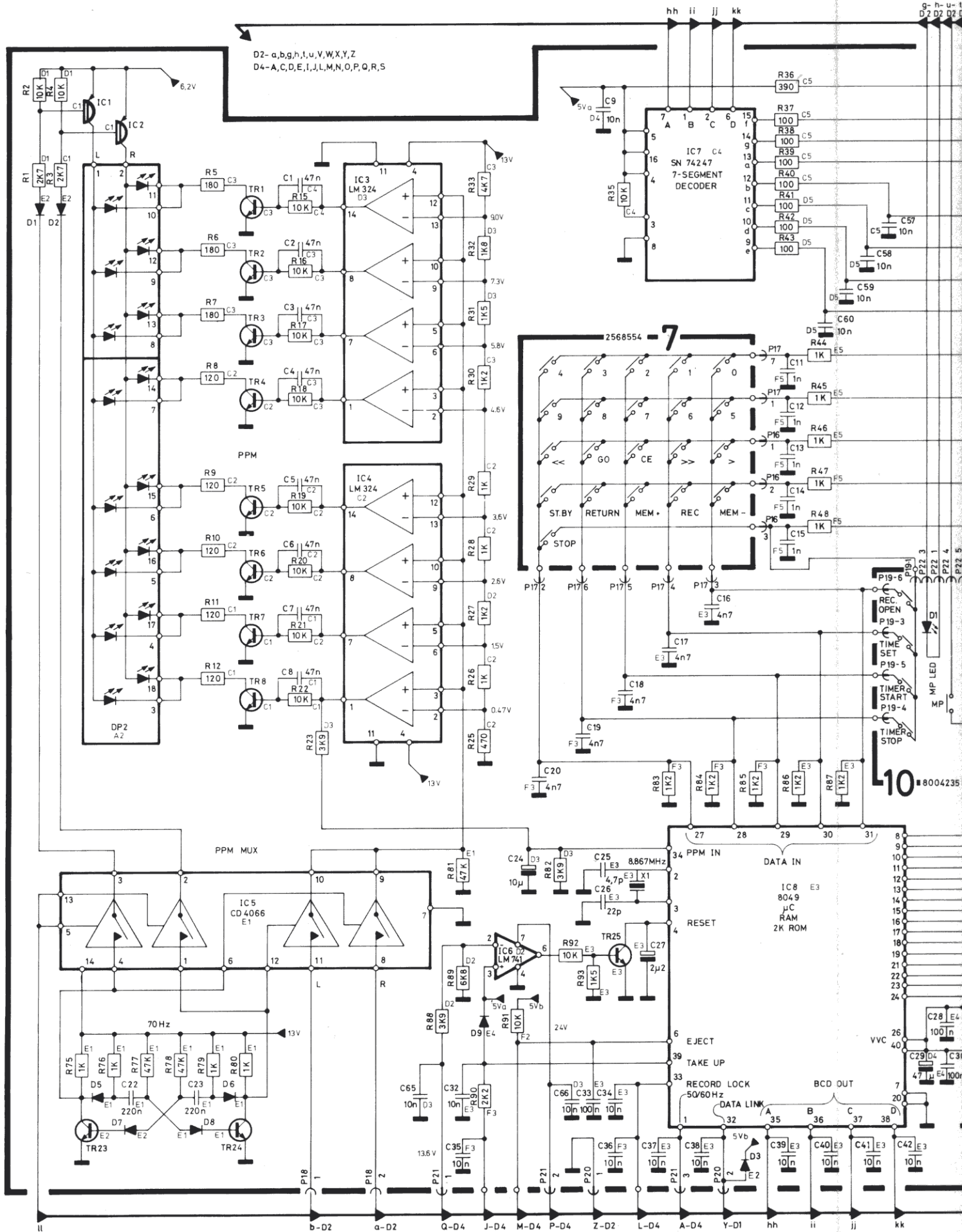


Noise r  
under l  
Dolby a  
trade m



Noise reduction system manufactured under license from Dolby Laboratories. Dolby and the double-D symbol are trade marks of Dolby Laboratories.

## DIAGRAM 3 FOR BECORD 8002



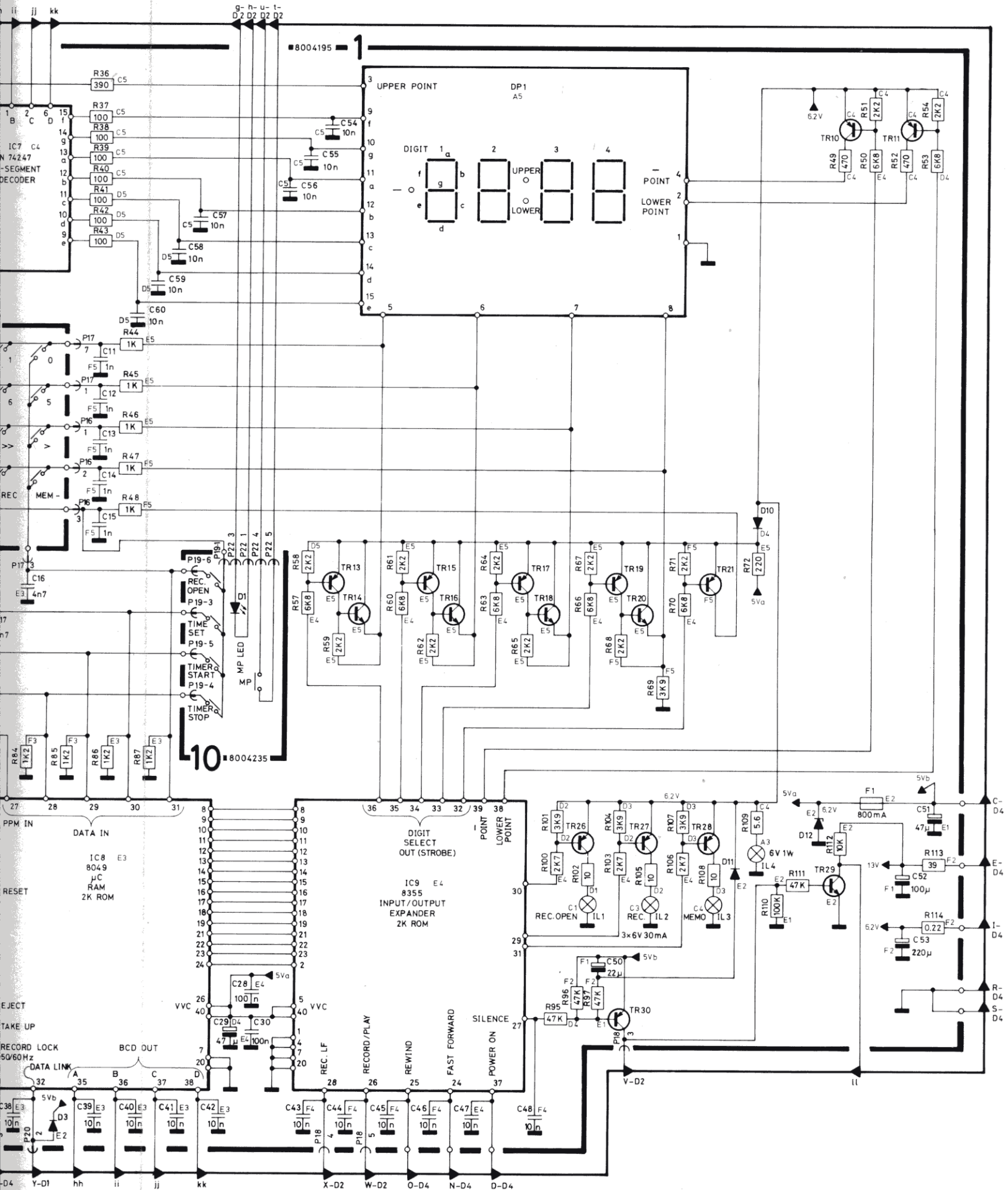
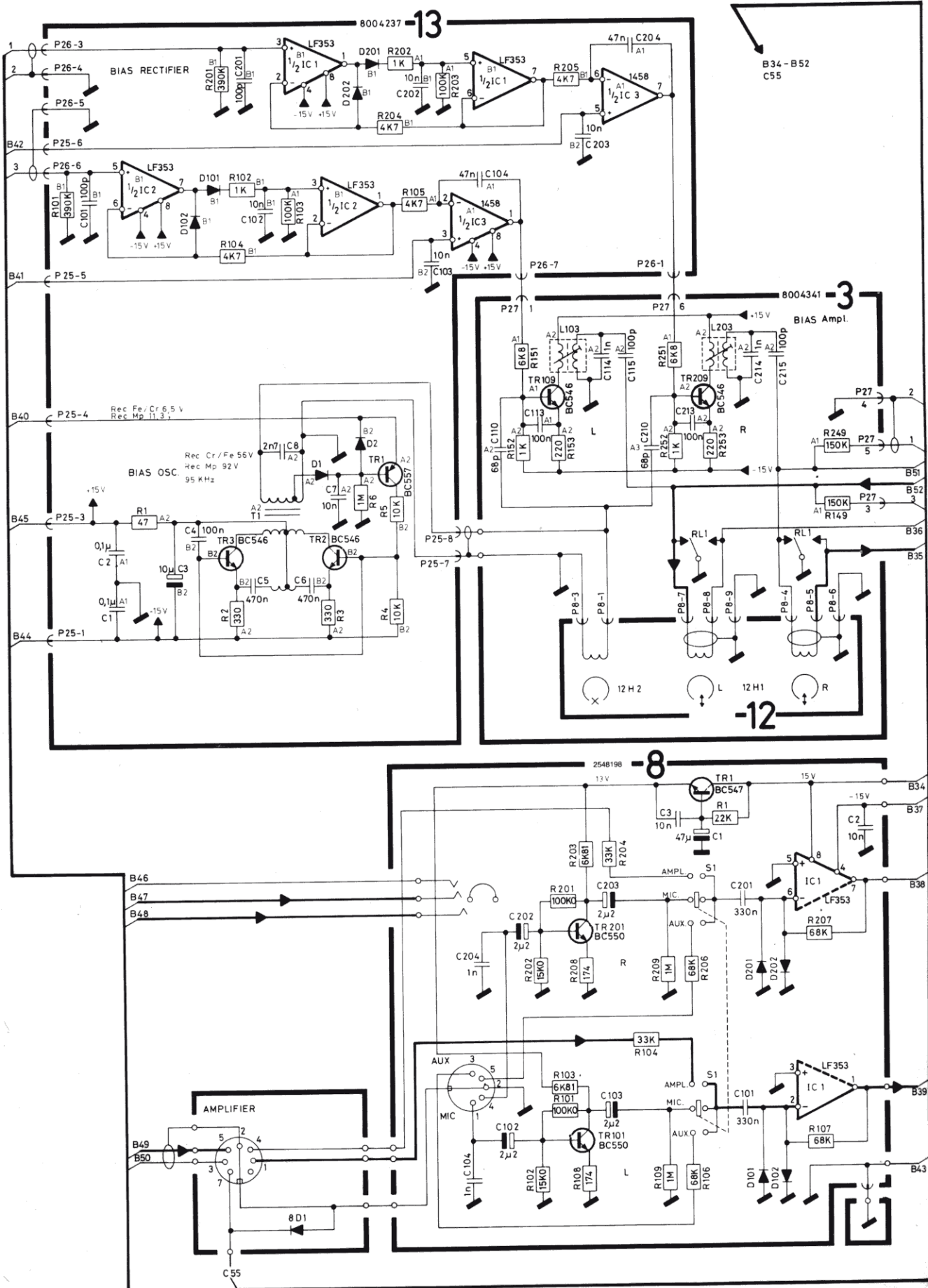




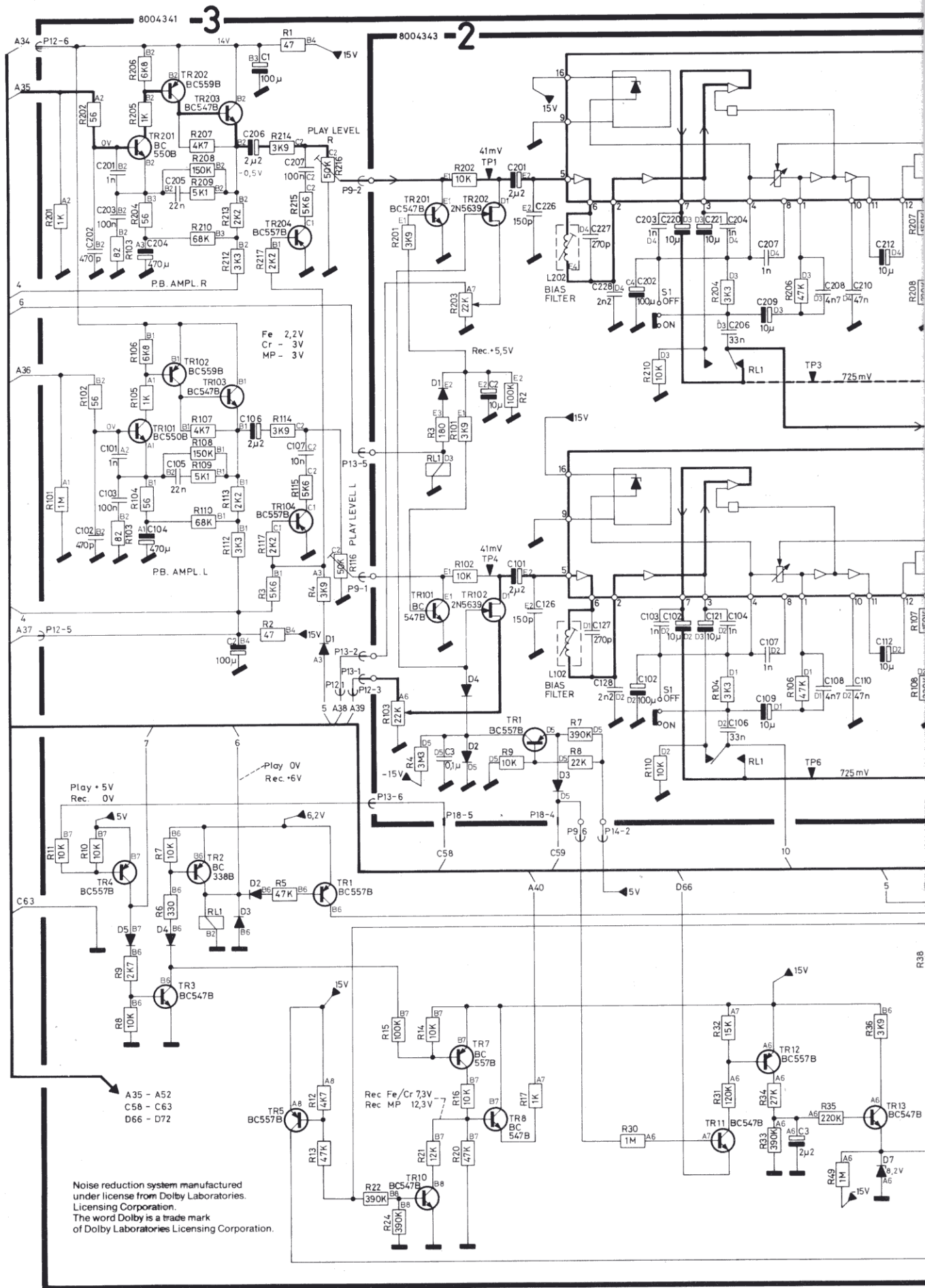


DIAGRAM A FOR BECORD 6002



# Bang & Olufsen

## DIAGRAM B FOR BEOCORD 6002



Noise reduction system manufactured under license from Dolby Laboratories Licensing Corporation. The word Dolby is a trademark of Dolby Laboratories Licensing Corporation.

- A35 - A52
- C58 - C63
- D66 - D72



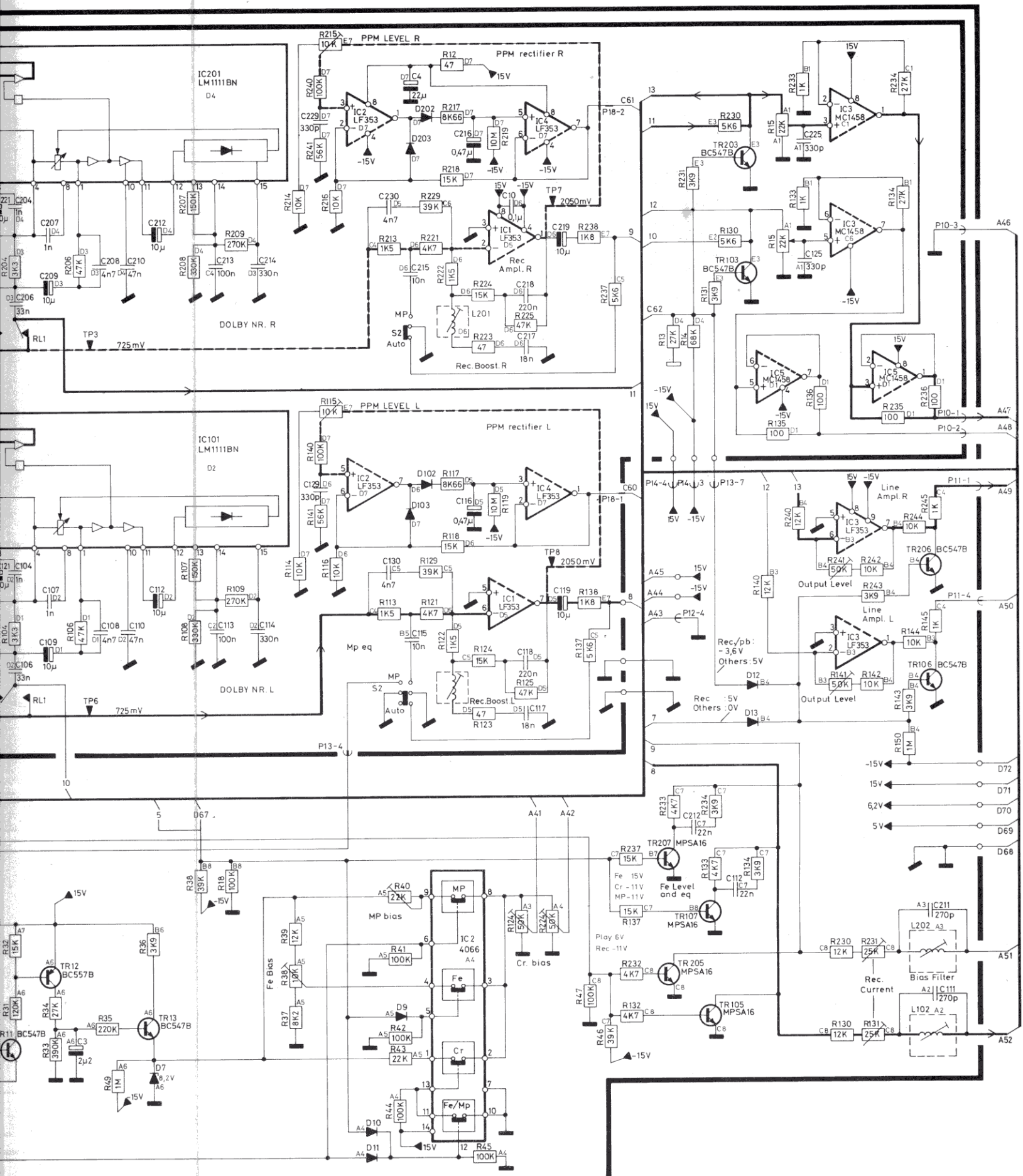
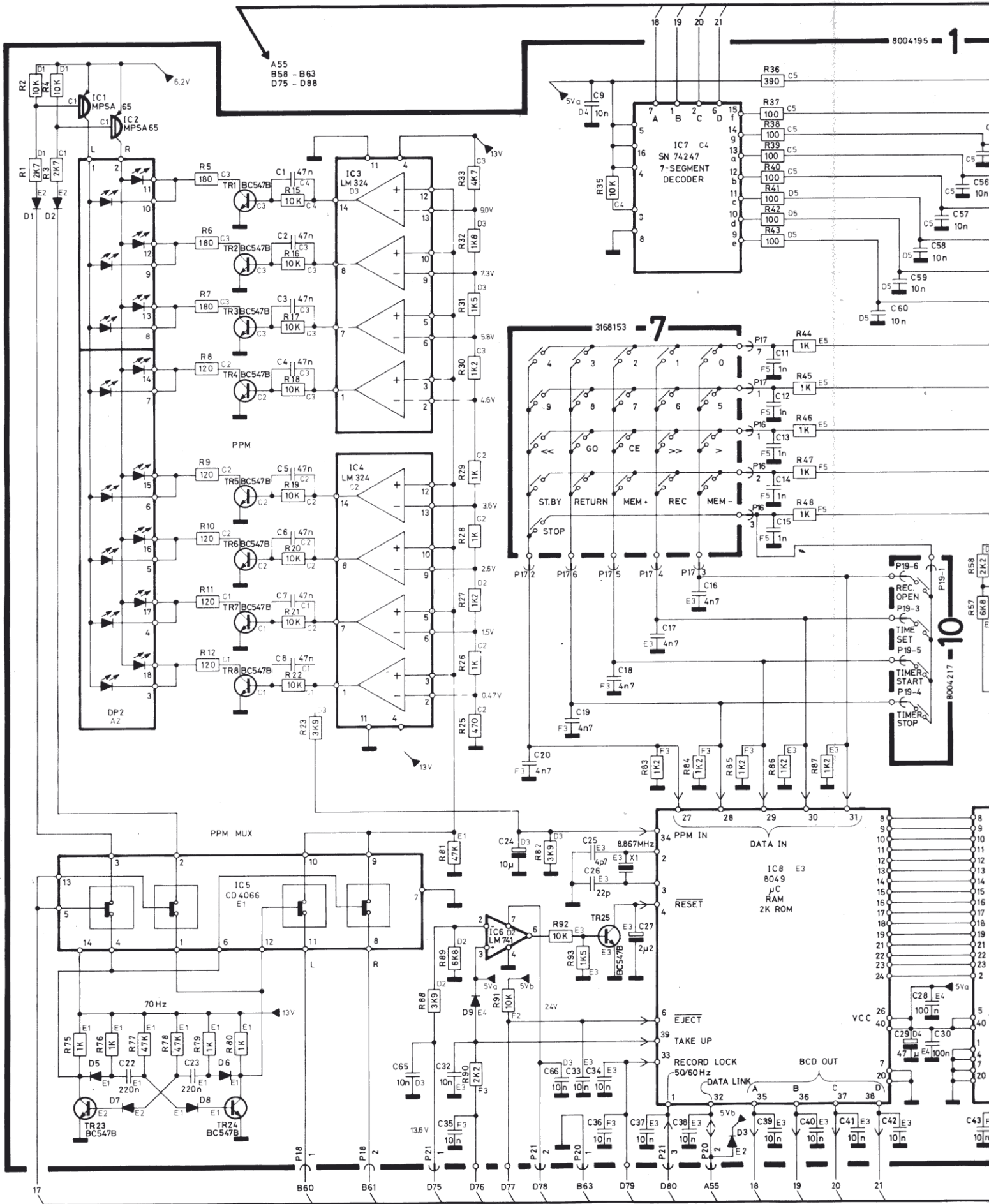
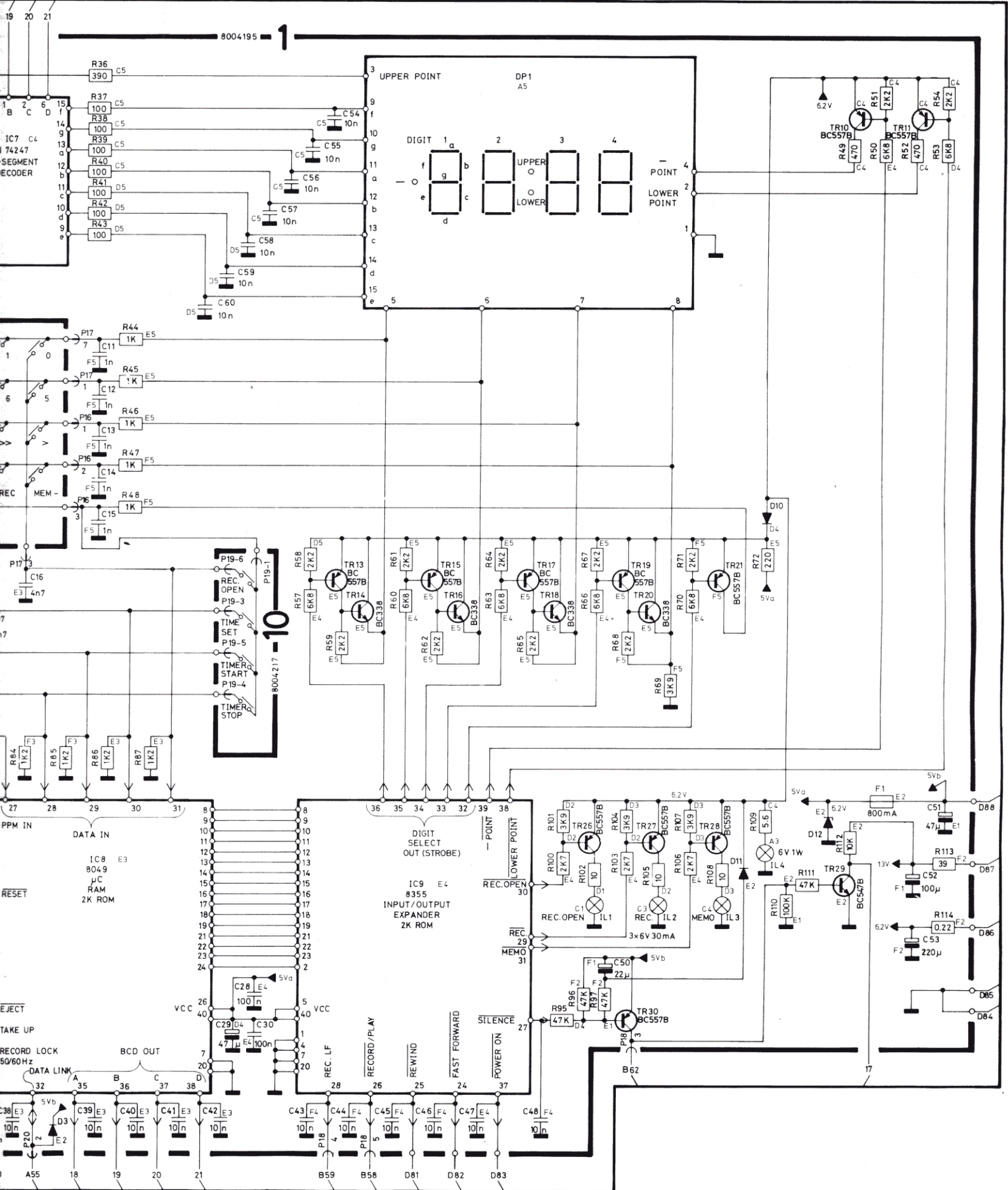


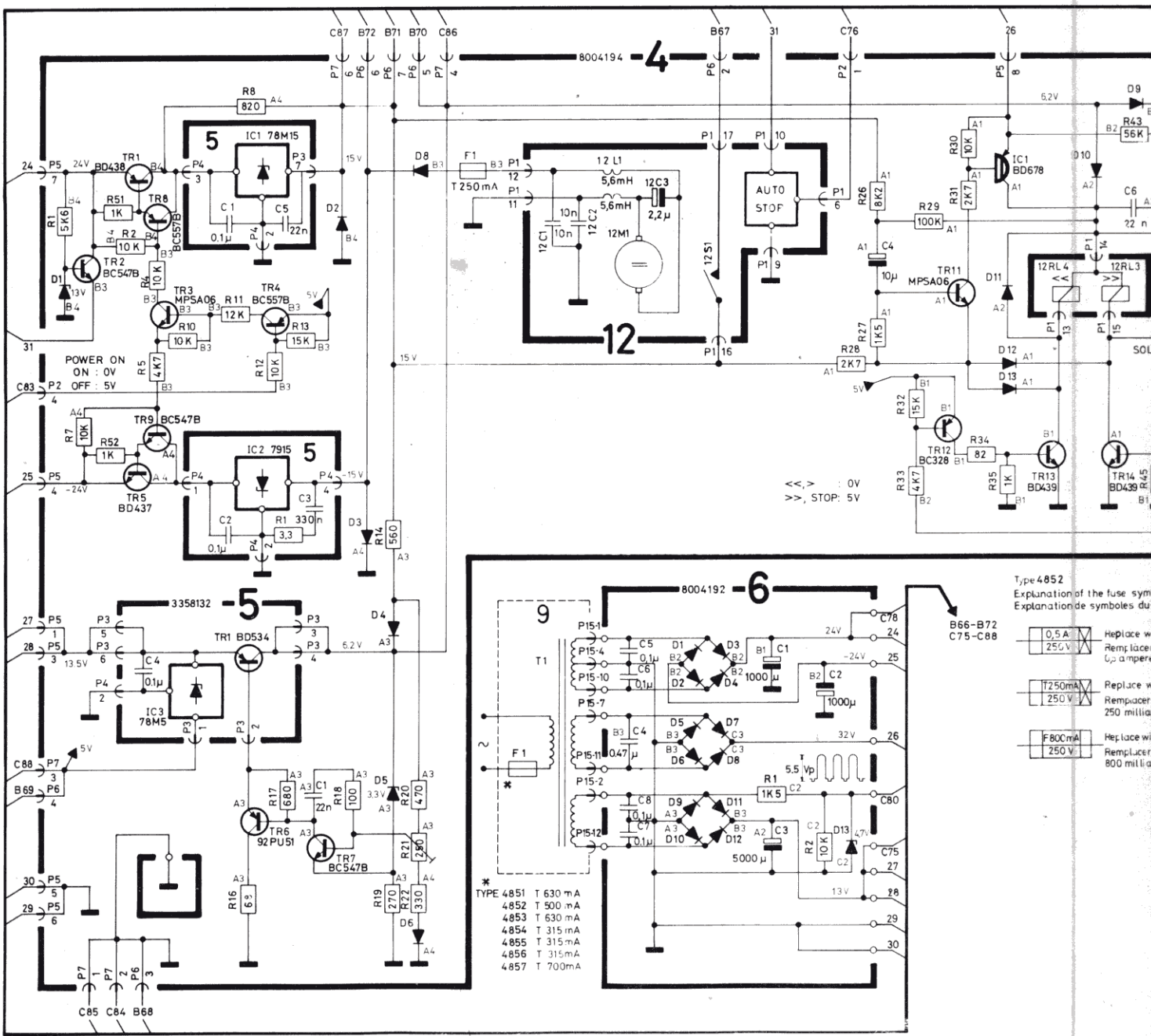
DIAGRAM C FOR BEOCORD 6002





# Bang & Olufsen

DIAGRAM D FOR BEOCORD 6002



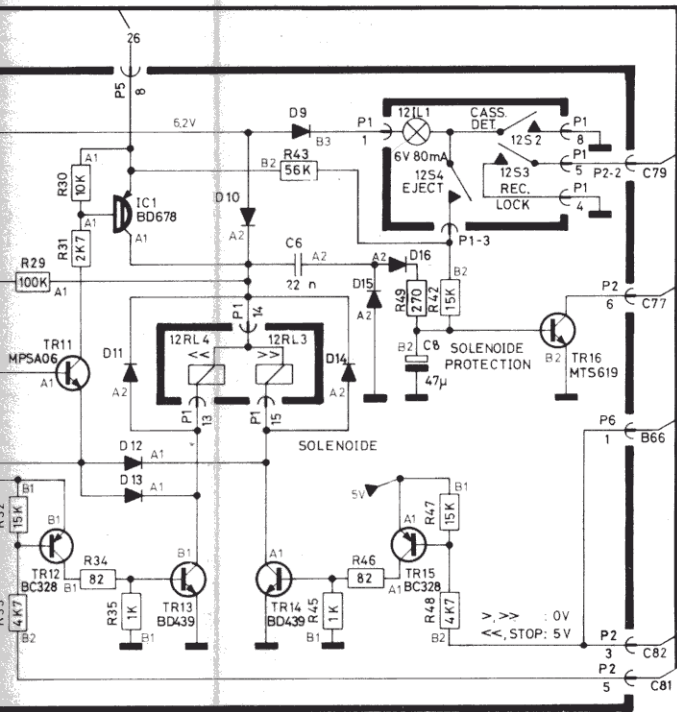
<< >> : 0V  
 >> STOP: 5V

Type 4852  
 Explanation of the fuse symbols  
 Explication des symboles de fusibles

- 0.5 A Replace with Remplacer par 0.5 ampere
- T250mA Replace with Remplacer par 250 milliamperes
- F800mA Replace with Remplacer par 800 milliamperes

- \* TYPE 4851 T 630 mA  
 4852 T 500 mA  
 4853 T 630 mA  
 4854 T 315 mA  
 4855 T 315 mA  
 4856 T 315 mA  
 4857 T 700 mA

FUNCTION	CONDITIONS		
	1IC8	1IC8	1
PIN	4	33	
	1		
	1	1	
	1	1	
	1		
	1		
	1		
	1	1	



Type 4852

Explanation of the fuse symbols used in the set:  
 Explication de symboles du fusible utilisés dans l'appareil:

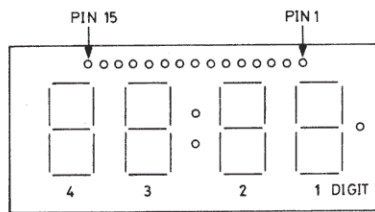
- B66-B72  
C75-C88
- Replace with same type 0.5 ampere 250volts slow acting fuse.  
Remplacer par un fusible de meme type retardé et de 0,5 ampere 250 volts.
- Replace with same type 250 milliamperes 250volts slow acting fuse.  
Remplacer par un fusible de meme type retardé et de 250 milliamperes 250 volts.
- Replace with same type 800milliamperes 250volts quick acting fuse.  
Remplacer par un fusible de meme type rapide et de 800 milliamperes 250 volts.

Switches:

- 12S1 Fe<sub>2</sub>O<sub>3</sub> ON, CrO<sub>2</sub> OFF.
- 12S2 With cass. ON, without OFF.
- 12S3 Rec. ON, Rec lock OFF.
- 12S4 Play ON, Press eject OFF.

PIN ASSIGNMENT (BOTTOM VIEW)

- 1 COMMON CATHODE (POINTS)
- 2 LOWER POINT ANODE
- 3 UPPER POINT ANODE
- 4 -POINT ANODE
- 5 DIGIT 1 ANODE
- 5 DIGIT 2 ANODE
- 7 DIGIT 3 ANODE
- 8 DIGIT 4 ANODE
- 9 SEG. fCATHODE
- 10 SEG. gCATHODE
- 11 SEG. aCATHODE
- 12 SEG. bCATHODE
- 13 SEG. cCATHODE
- 14 SEG. dCATHODE
- 15 SEG. eCATHODE



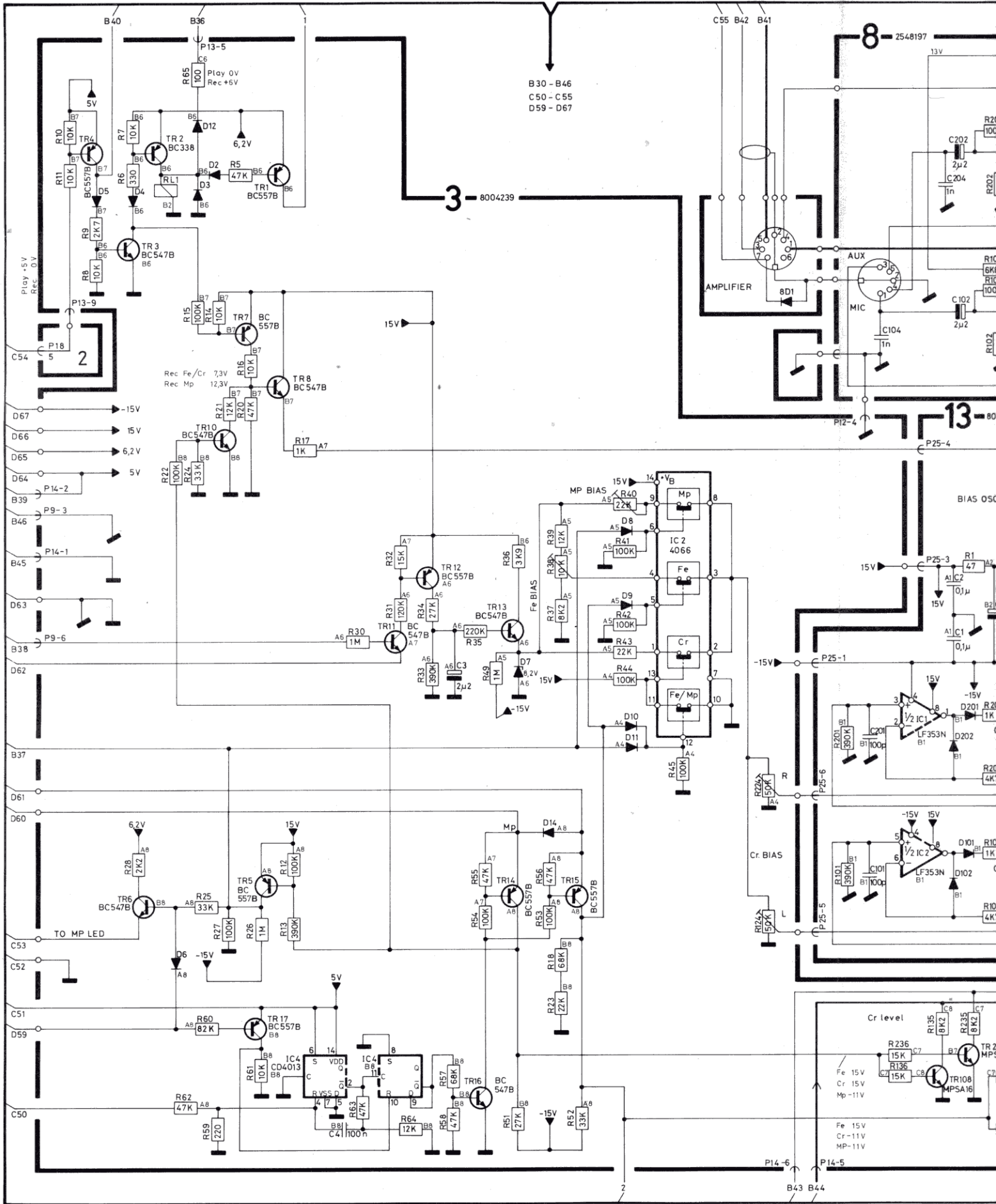
FUNCTION TABLE 11C7 (SN74247)

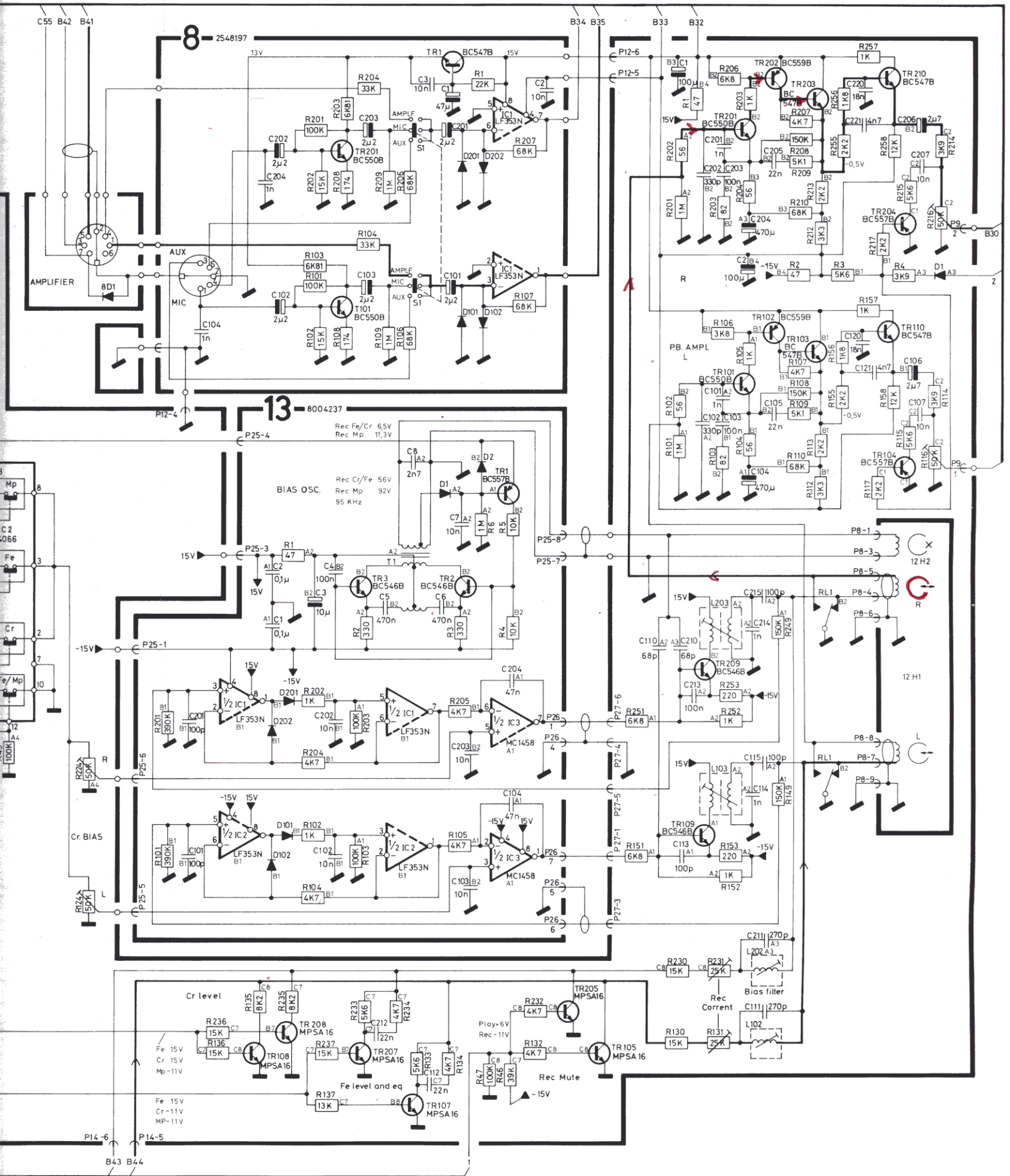
DECIMAL ON DISPLAY	INPUTS				OUTPUTS						
	D	C	B	A	a	b	c	d	e	f	g
0	0	0	0	0	0	0	0	0	0	0	1
1	0	0	0	1	1	0	0	1	1	1	1
2	0	0	1	0	0	0	1	0	0	1	0
3	0	0	1	1	0	0	0	0	1	1	0
4	0	1	0	0	1	0	0	1	1	0	0
5	0	1	0	1	0	1	0	0	1	0	0
6	0	1	1	0	0	1	0	0	0	0	0
7	0	1	1	1	0	0	0	1	1	1	1
8	1	0	0	0	0	0	0	0	0	0	0
9	1	0	0	1	0	0	0	0	1	0	0
∩	1	0	1	1	1	1	0	0	1	1	0
⊔	1	0	1	0	1	1	1	0	0	1	0
⊥	1	1	0	0	1	0	1	1	1	0	0
⊥	1	1	0	1	0	1	1	0	1	0	0
∩	1	1	1	1	1	1	1	1	1	1	1

FUNCTION TABLE FOR MICROCOMPUTER 11C8-11C9

PIN	CONDITIONS			FUNCTION	RESULTS							
	11C8	11C8	11C8		11C9							
	4	33	6		24	25	26	27	28	37	30	29
	1			STAND BY	1	1	1	0	0	1		
	1	1	1	REC OPEN			1		0	0	0	1
	1	1	1	RECORD	0	0	0	1	1	0	0	0
	1			STOP	1	1	1	0	0	0		1
	1		1	»	0	1	1	0	0	0		1
	1		1	«	1	0	1	0	0	0		1
	1		1	>	0	0	1	1	0	0		1
	1	1	1	REC PAUSE	1	1	0	1	1	0	0	1/0

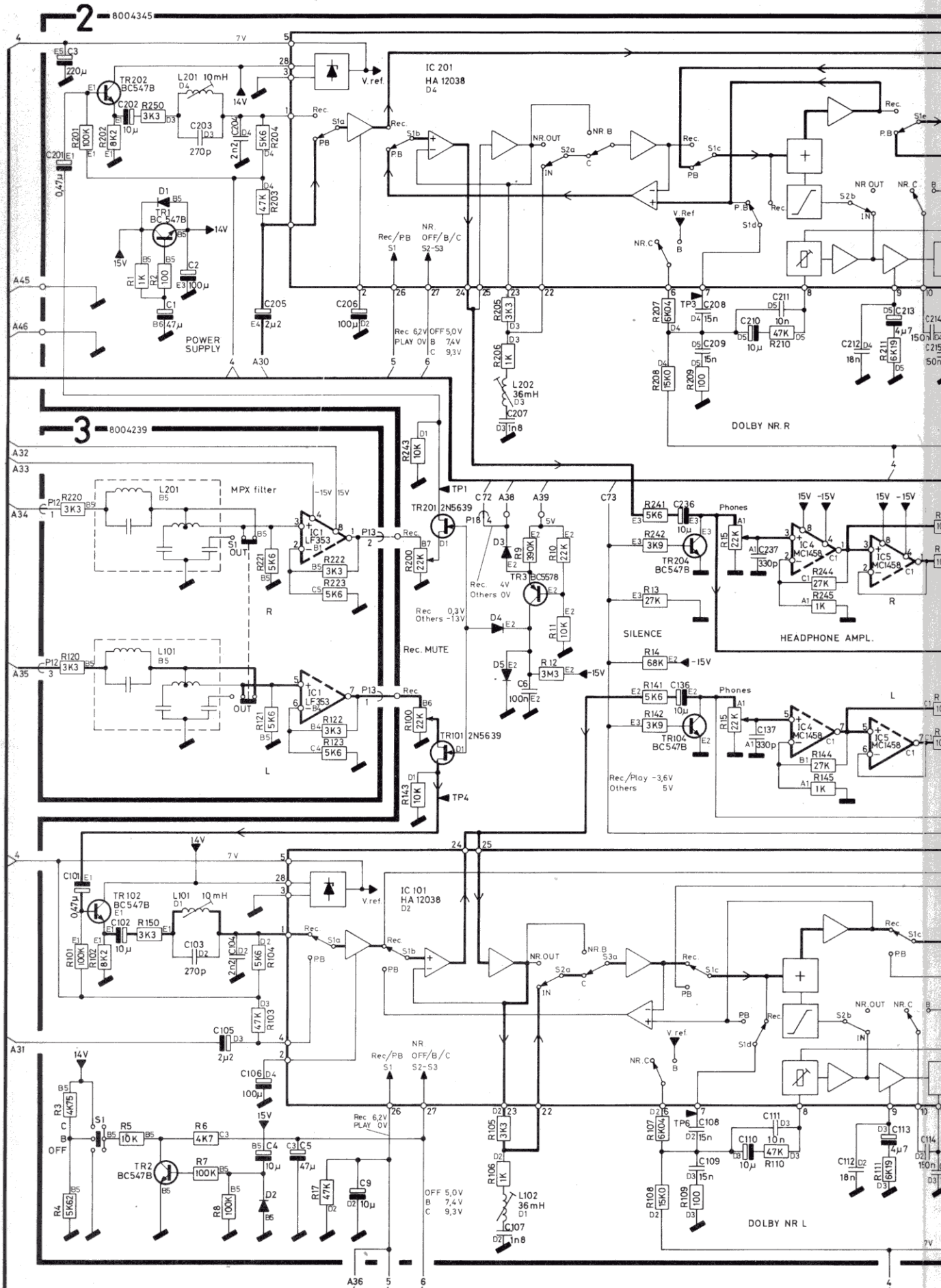
DIAGRAM A FOR BECORD 8004



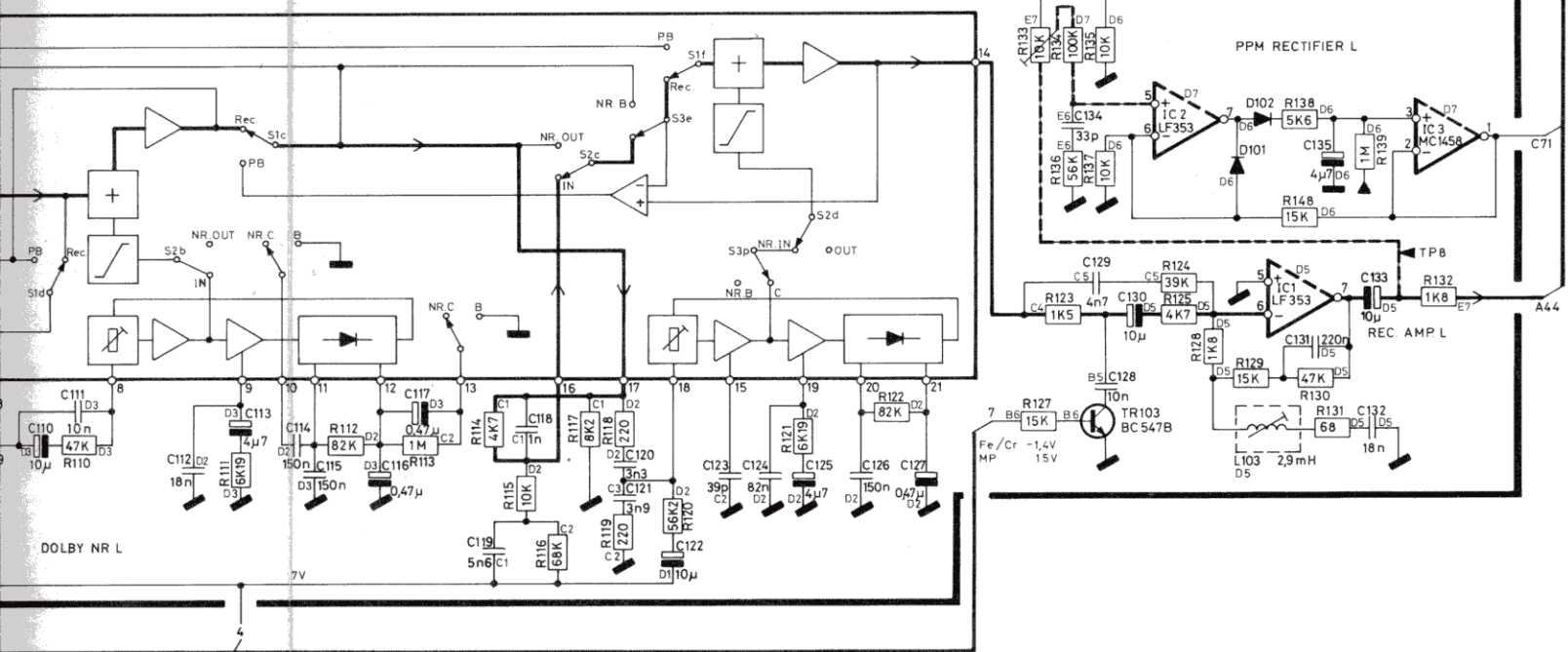
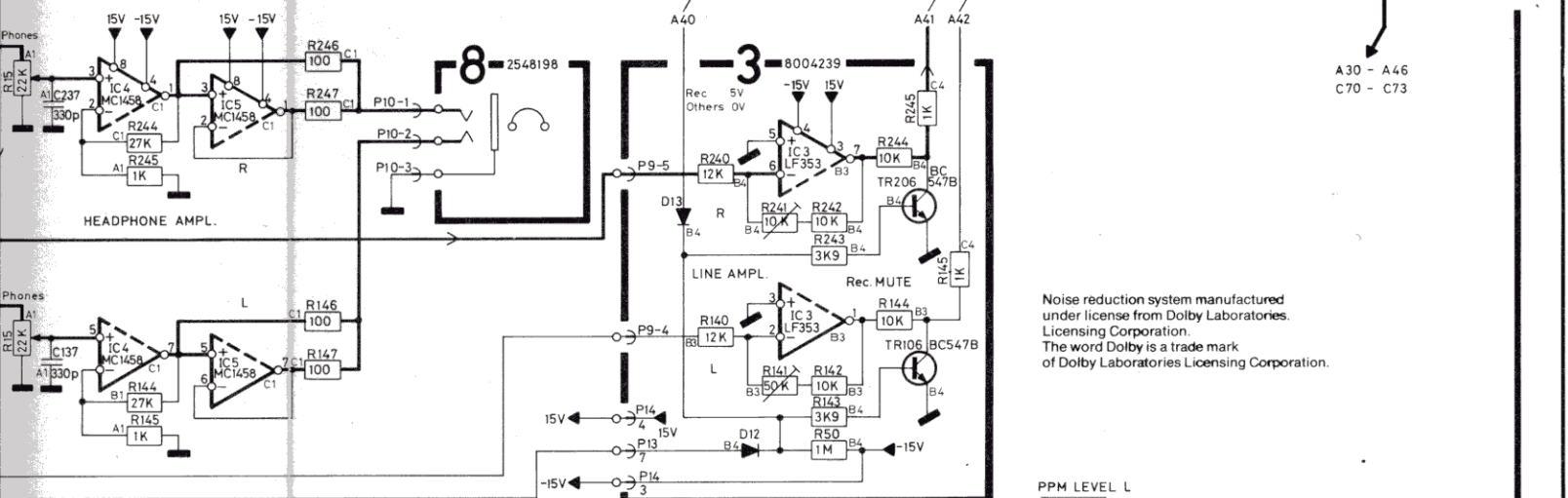
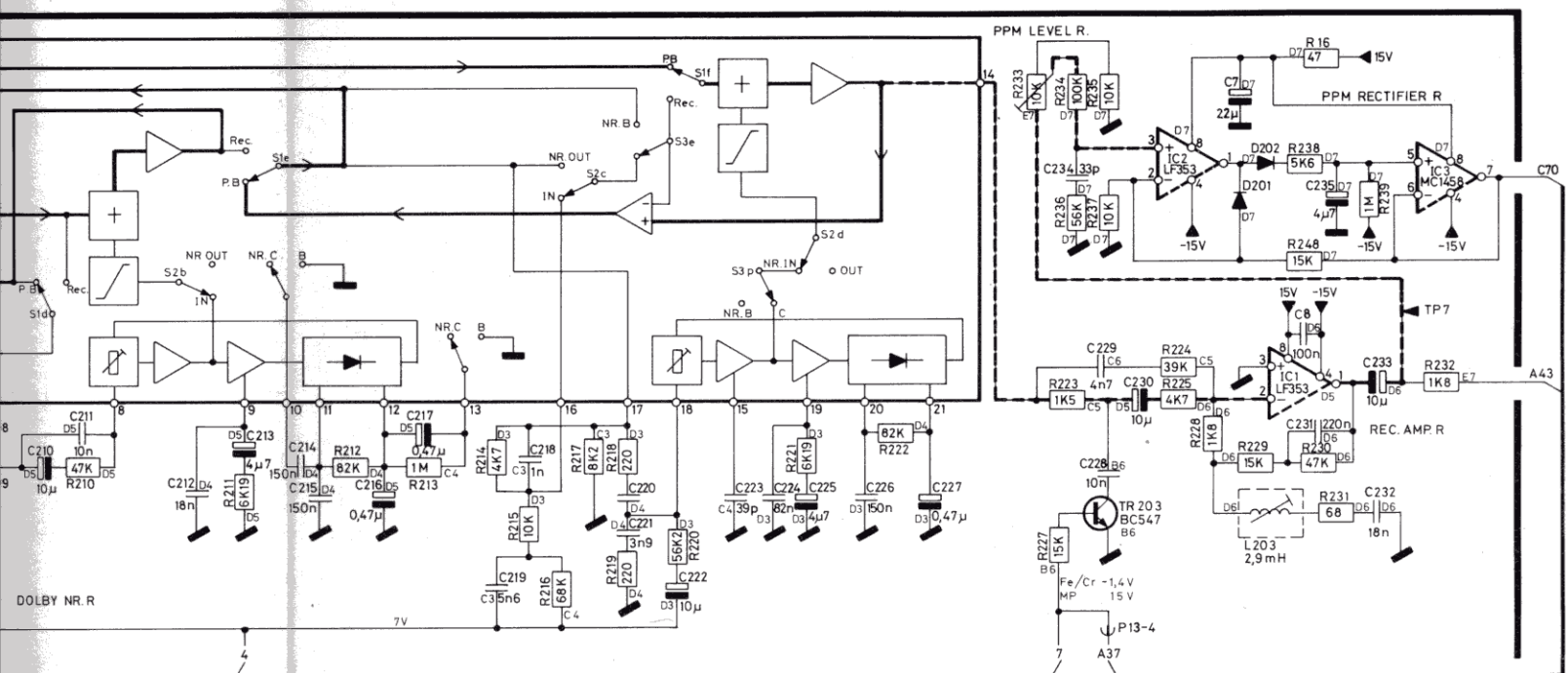


# Bang & Olufsen

## DIAGRAM B FOR BEOCORD 8004





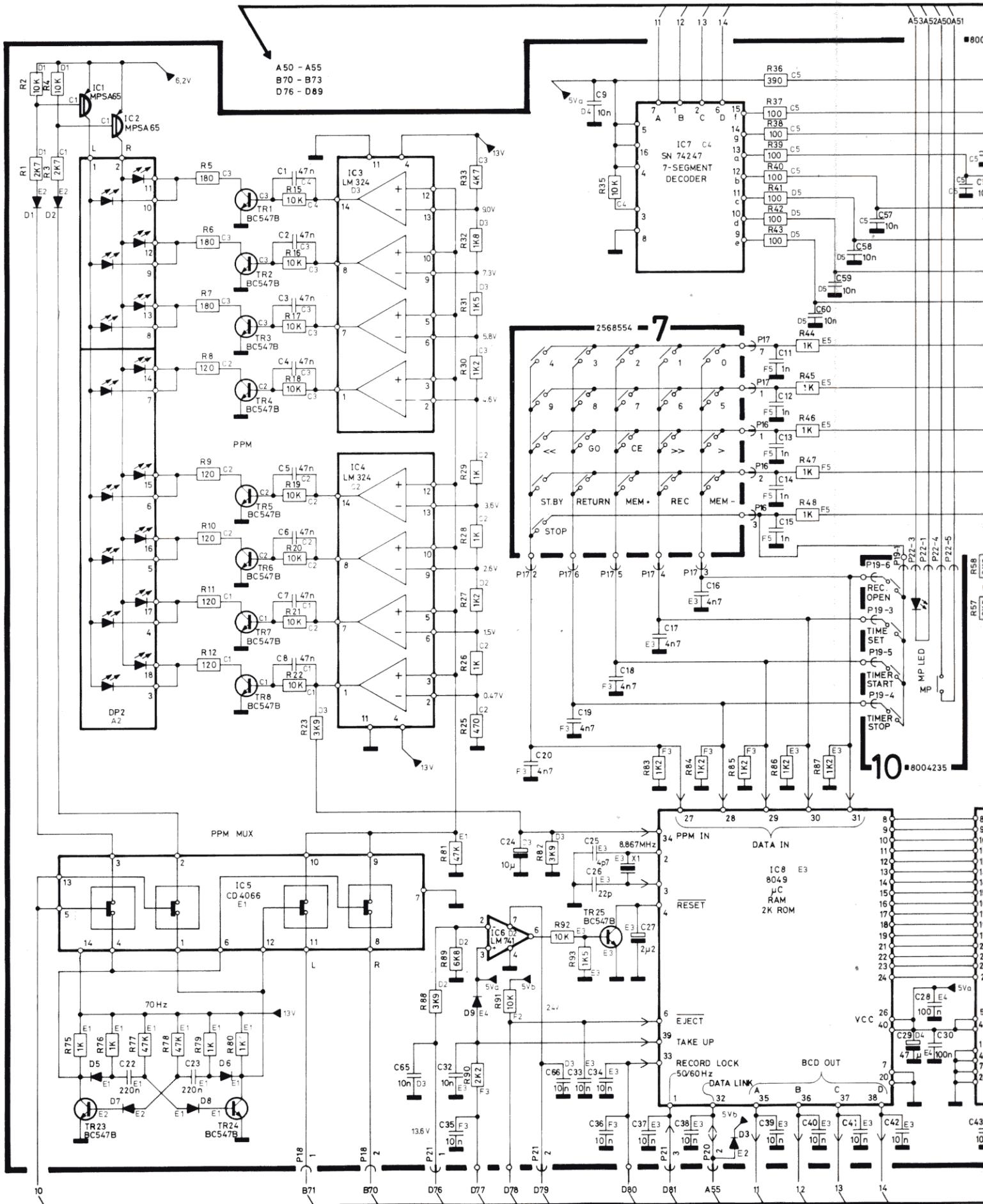


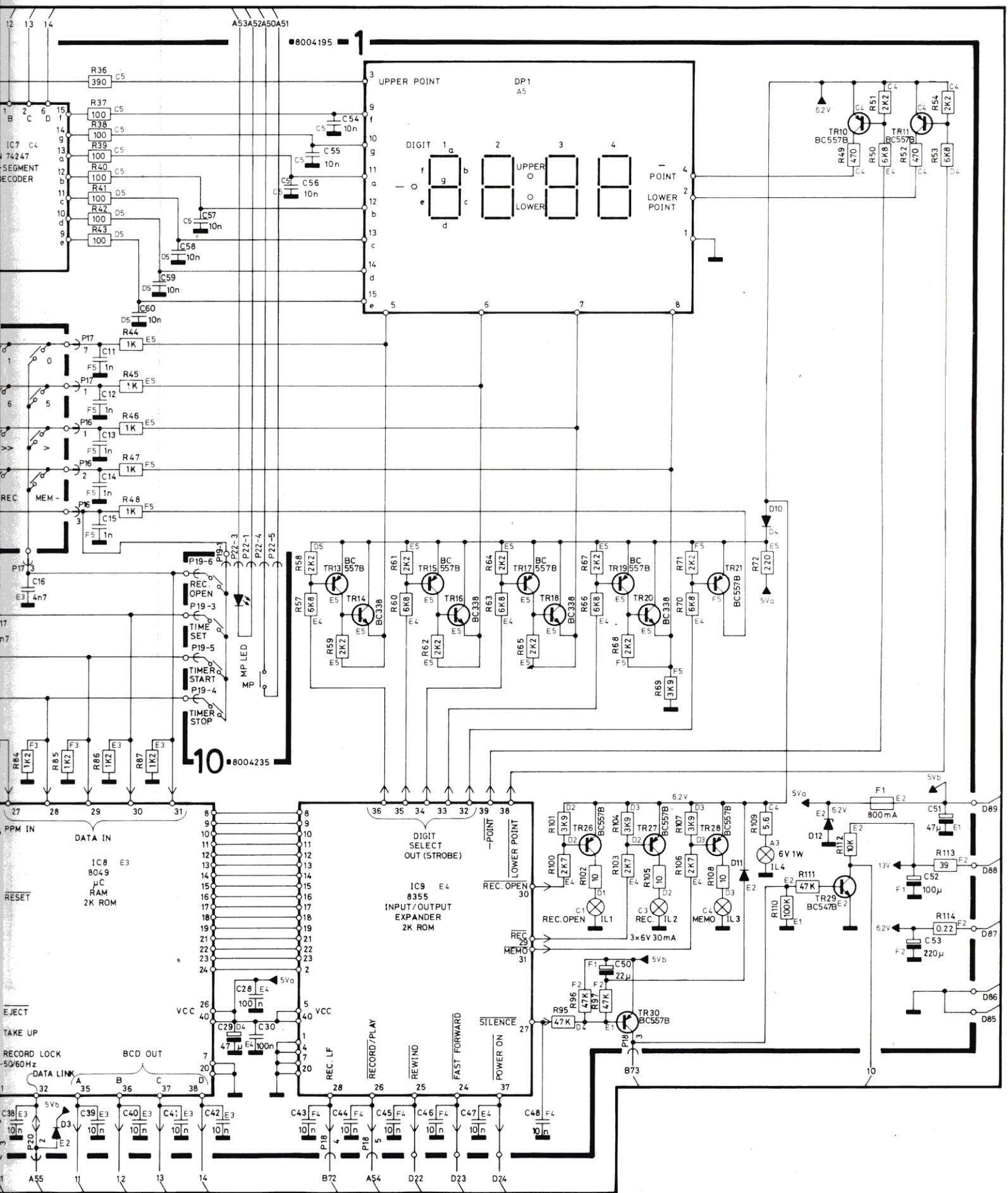
Noise reduction system manufactured under license from Dolby Laboratories Licensing Corporation. The word Dolby is a trade mark of Dolby Laboratories Licensing Corporation.

A30 - A46  
C70 - C73

Fe/Cr -1.4V  
15V  
MP

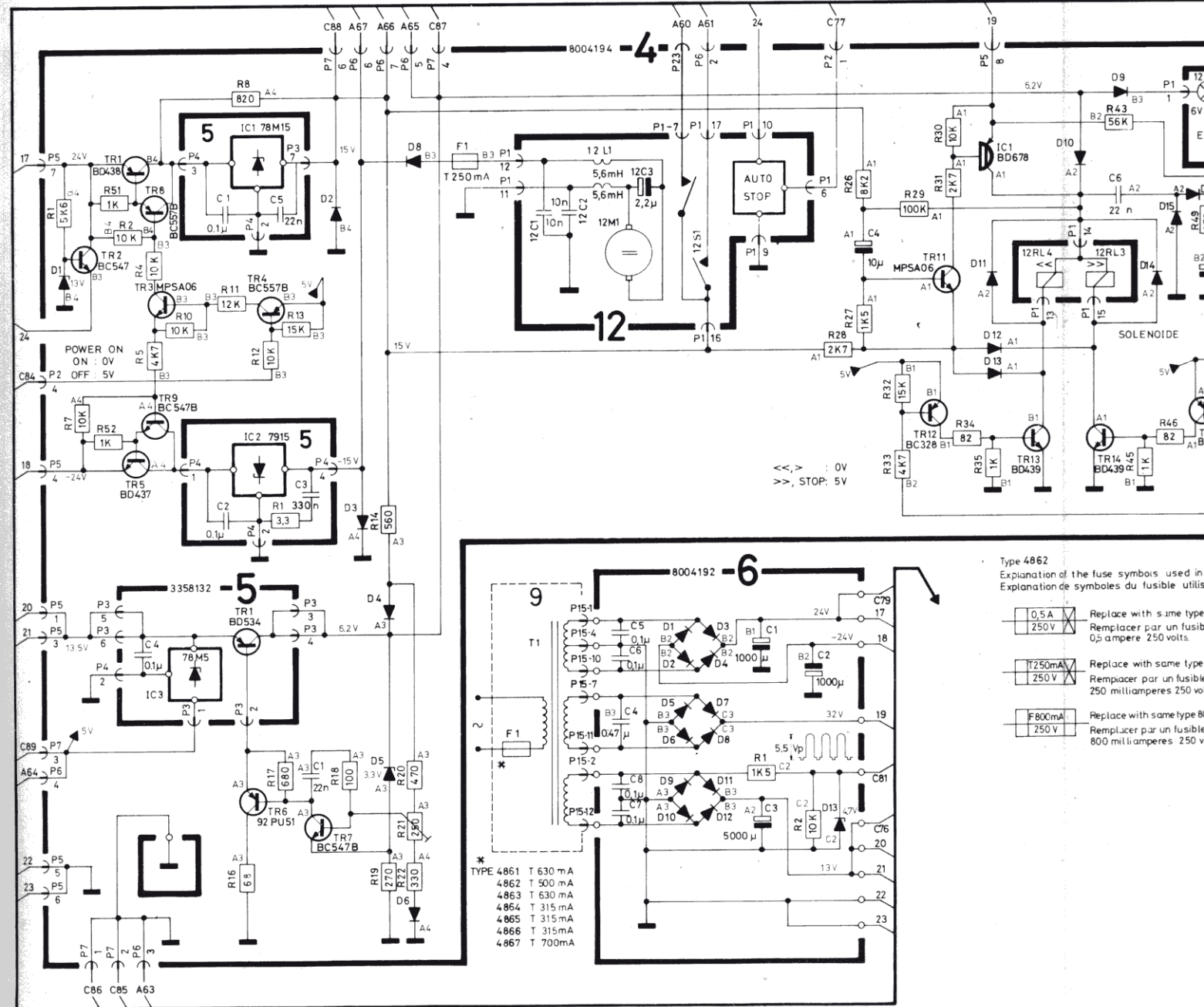
DIAGRAM C FOR BEOCORD 8004





# Bang & Olufsen

## DIAGRAM D FOR BEOCORD 8004



FUNCTION TABLE

PIN	CONDITIONS		
	11C8	11C8	11C8
	4	33	6
	1		
	1	1	1
	1	1	1
	1		
	1		1
	1		1
	1	1	1

