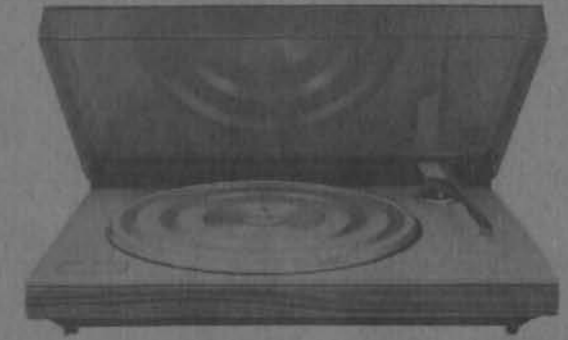


Bang & Olufsen

BEOGRAM 3400-1900

TYPE 5703-5701

*//100*



BANG & OLUFSEN A/S  
DK - 7600 STRUER  
DENMARK

TELEPHONE 07 - 85 11 22 TELEX 66529  
CABLE ADDRESS BANGOLUF

3538286

d. kr. 7,50

PRINTED IN DENMARK  
ApS EKSPRES-TRYKKERIET, STRUER 1-76

Form. 7246

SERVICE MANUAL



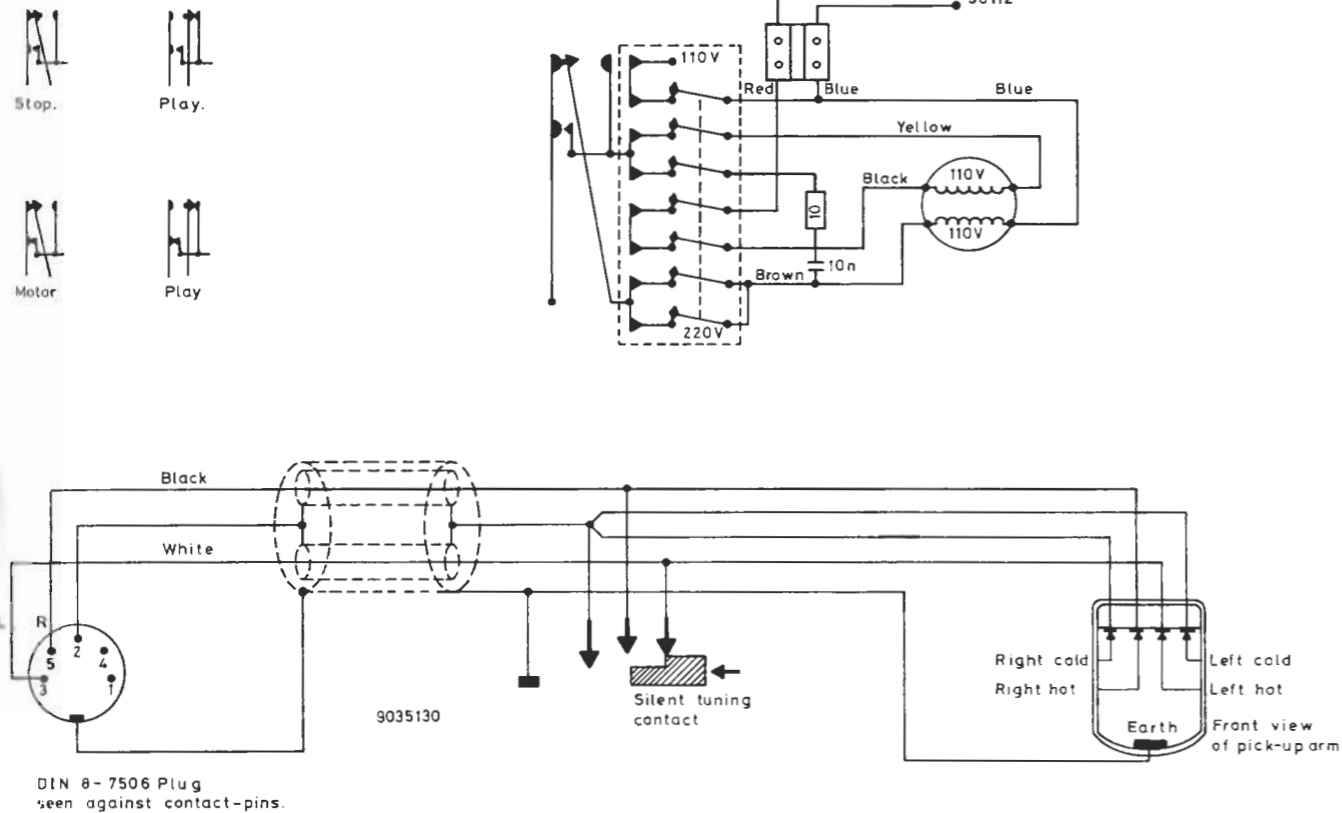
## TECHNICAL DATA

	BEOGRAM 3400	BEOGRAM 1900
Type No.	5703	5701
Sound system	Stereo, matrix (CD-4)	Stereo, matrix
Output	2 x 0.6 mV	2 x 0.6 mV
Speeds	33 - 45 rpm	33 - 45 rpm
Tonearm	Radial	Radial
Pickup cartridge	MMC 5000	MMC 4000
Automatic pickup movement	Yes	Yes
Automatic speed selection	Yes	Yes
Wow and flutter, DIN	< ± 0.07%	< ± 0.07%
Wow and flutter, WRMS	< ± 0.035%	< ± 0.035%
Rumble DIN unweighted	> 42 dB	> 42 dB
Rumble DIN weighted	> 62 dB	> 62 dB
Speed deviation	< 0.1%	< 0.1%
Speed control range	> 3%	> 3%
Dial for speed	Stroboscope 120 mm	Stroboscope 120 mm
Stylus pressure range	0 - 2.5 gram	0 - 2.5 gram
Tangential tracking error	0.126° / cm	0.126° / cm
Lift system	Mechanical	Mechanical
Antiskating	Inclined channelling inside bearing	Inclined channelling inside bearing
Motor	Asynchronous	Asynchronous
Drive system	Idler wheel and belt	Idler wheel and belt
Turntable	30 cm 1 kg	30 cm 1 kg
Dust cover	Hinged	Hinged
Power supply	110 - 220 volts	110 - 220 volts
Frequency	50 Hz	50 Hz
Power consumption	10 watts	10 watts
Dimensions W x H x D	44 x 9 x 33 cm	44 x 9 x 33 cm
Weight	6 kg	6 kg
Pickup	MMC 5000	MMC 4000
Stylus	Shibata diamond	Elliptical naked diamond
Radius of curvature	CD-4 quadro	5 x 17 µm
Frequency range	20 - 15.000 Hz ± 2 dB 15 - 45 kHz A-Rating	20 - 25.000 Hz ± 1.5 dB
Channel separation 1000 Hz	> 25 dB	> 25 dB
400 - 10.000 Hz	> 20 dB	> 20 dB
Channel difference	< 1.5 dB	< 1.5 dB
Intermodulation	< 1%	< 1%
Recommended stylus pressure	1.5 gram	1 gram
Compliance	25 x 10 <sup>-6</sup> cm/dyn	30 x 10 <sup>-6</sup> cm/dyn
Effective tip mass	0.4 mg	0.4 mg
Output mV/cm/sec.	0.6 mV/47 kohms	0.6 mV/47 kohms

Subject to change without notice

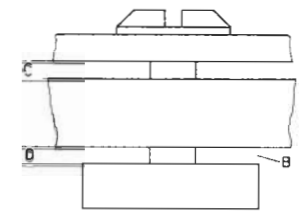
CONTENTS	Sec.	Page
Technical data .....	1	
Diagram .....	2	
Adjustments .....	3	
Motor height .....	3	1
Pickup height .....	3	1
Pickup arm balance .....	3	2
Pickup parallelism .....	3	2
Pickup arm touch-down .....	3	2
Parts list .....	4	
Beogram 3400 .....	4	1
Beogram 1900 .....	4	8
Service tips .....	5	
Pickup arm mounting .....	5	1

DIAGRAM/SCHALTBILD

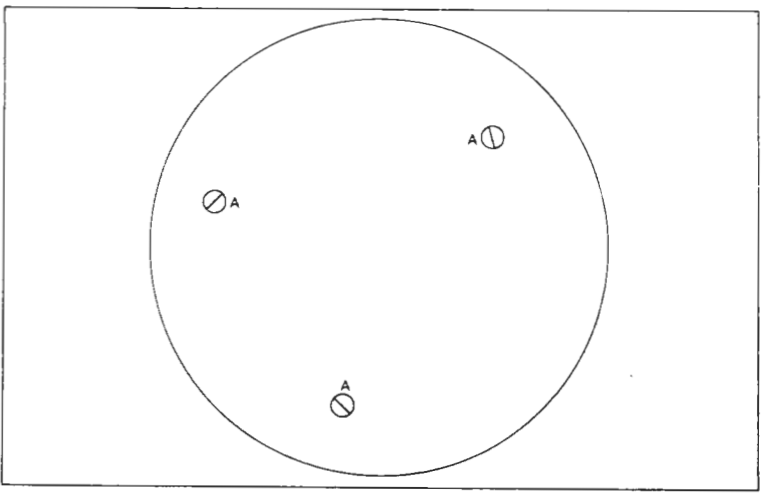


Blank lined area for notes or additional diagrams.

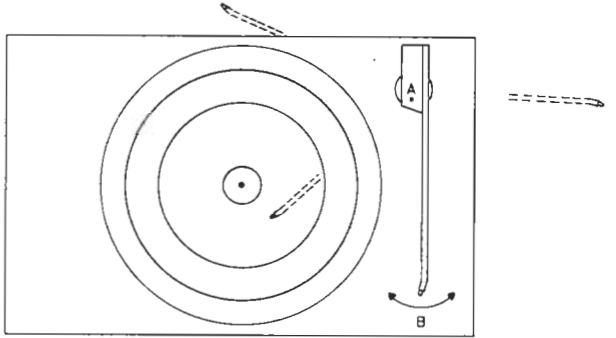
ADJUSTMENTS  
Motor height



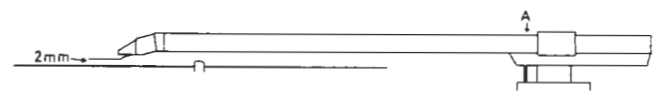
Put the turntable and two LP records of normal weight (approx. 900 g) on the motor. The motor should then come loose from all three transit bushings (see points B). The turntable should likewise be parallel with the chassis deck, and on removing the two LP records from the turntable, distances C and D should be approximately equal. Adjustments are performed with the screws A.



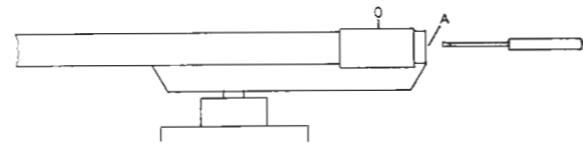
Pickup height



Put a record on the turntable. Carefully turn the pickup arm first in the direction of the arrow B until the end stops are reached. Thereafter place the pickup above a run-off groove. Adjust screw A so that the separation between stylus and record is 2 mm (see sketch). Perform adjustment with counterbalance weight inserted.

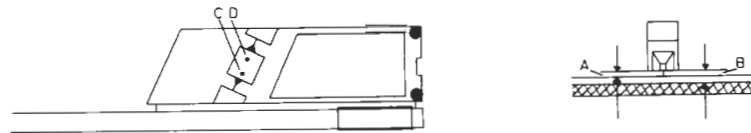


Pickup arm balance



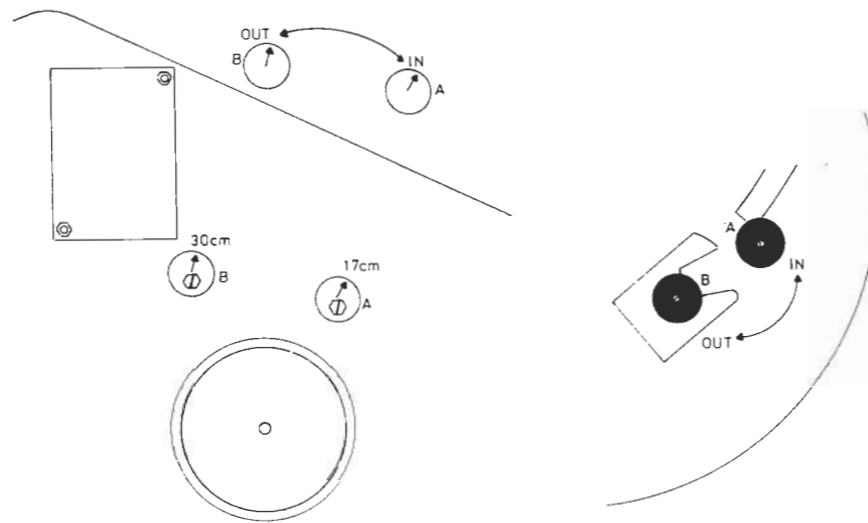
Set the stylus-force adjustment slider to the 0 position.  
 Adjust screw A so that the pickup arm is exactly in balance. Thereafter adjust stylus force to 1.5 grams (1 gram for Beogram 1900).

Pickup parallelism

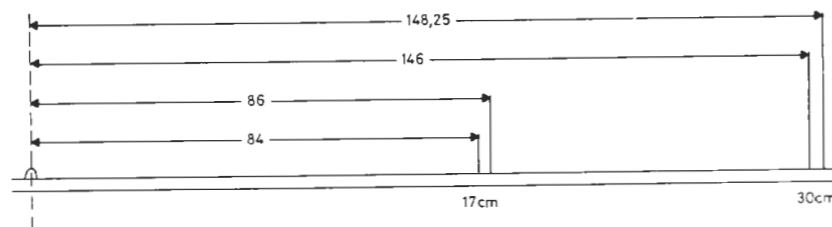


Adjust screws C and D so that distances A and B are identical and the plane portion of the pickup is parallel with the top side of the record. Perform adjustment with counterbalance weight inserted.

Pickup arm touch-down



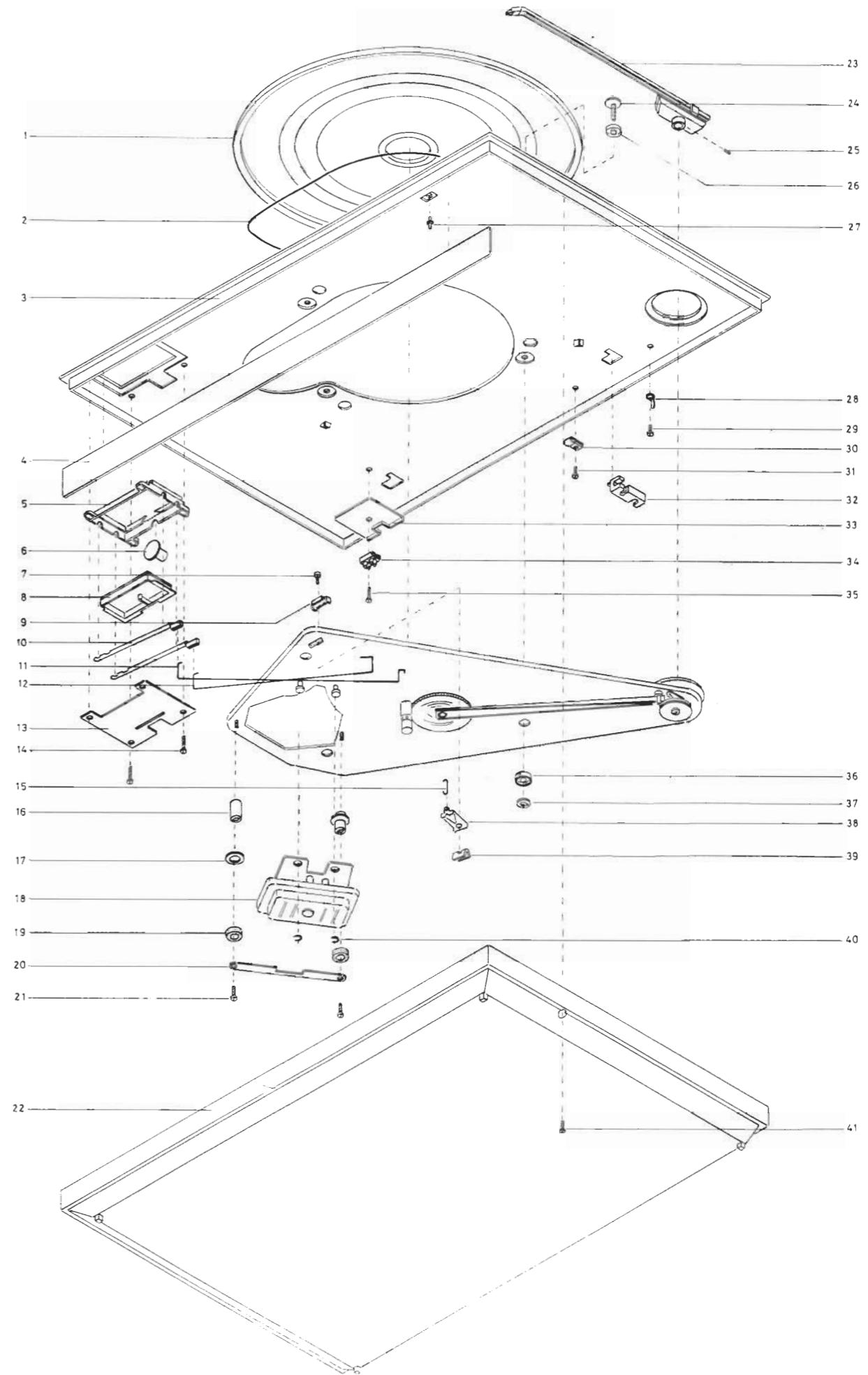
With "45" activated adjust eccentric A so that the pickup during automatic cueing will lower inside the field marked 17 cm in the sketch. Adjust eccentric B so that the pickup lowers into the field marked 30 cm with "33" activated.



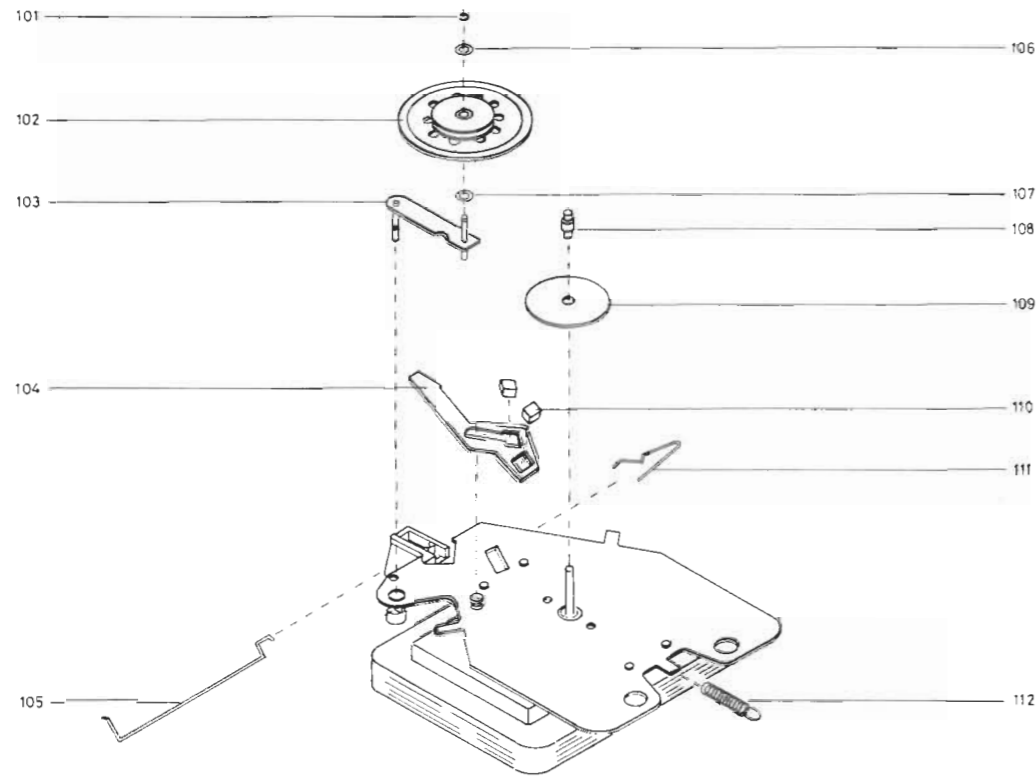
Blank lined area for notes on page 3-3.

PARTS LIST FOR BEOGRAM 3400,  
TYPE 5703

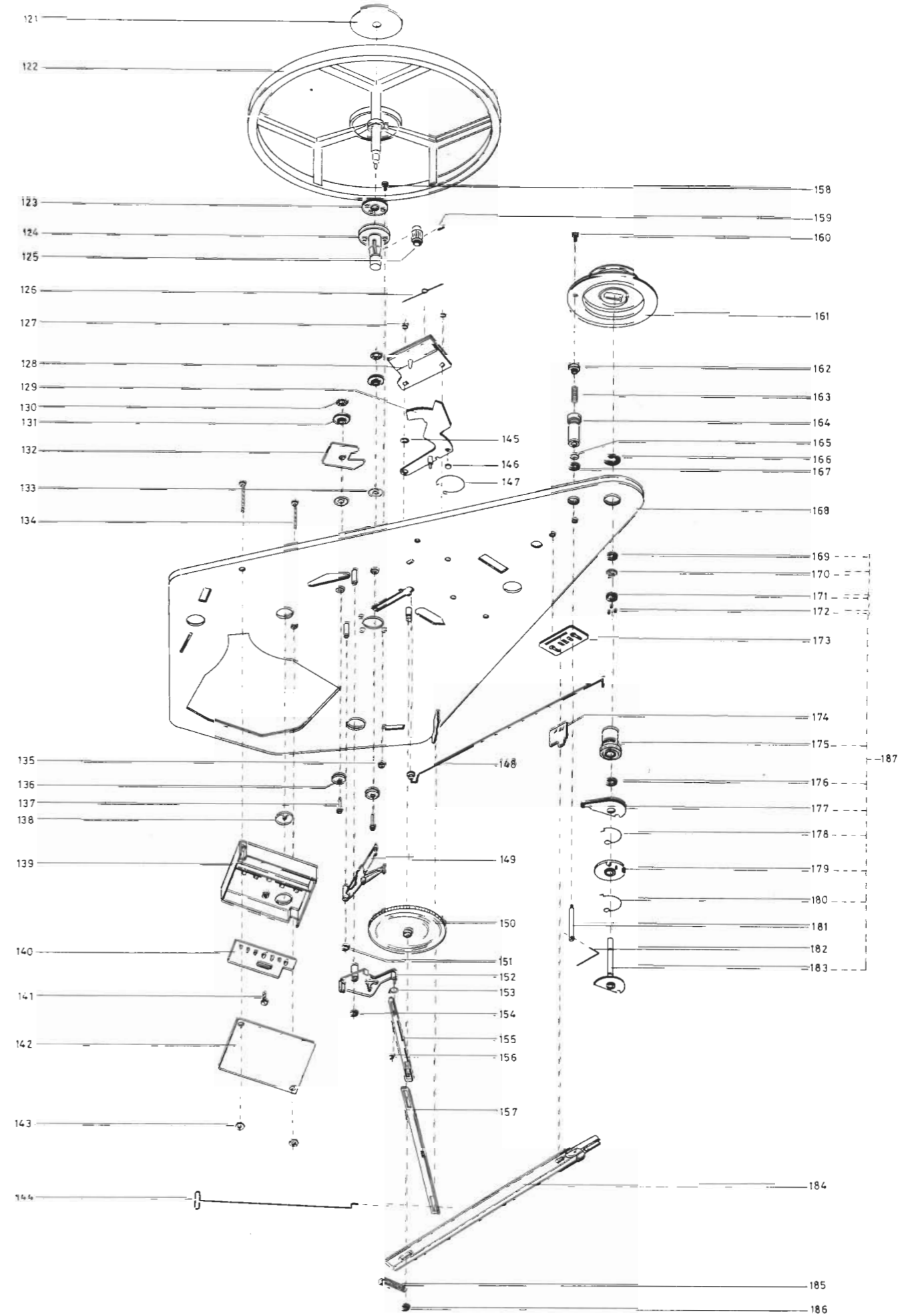
- 1 2726088 Turntable
- 2 2620063 Felt
- 2 2732035 Drive belt
- 3 3458159 Top plate complete
- 4 3412261 Cabinet, teak
- 4 3412263 Cabinet, rosewood
- 4 3412265 Cabinet, white
- 5 3152164 Holder
- 6 2770164 Knob
- 7 2042209 Screw AM 4 x 10 DIN 84
- 8 2775448 Control knob
- 9 2640031 Clamp
- 10 2854042 Gear lever
- 11 2570051 Arm, ON-OFF
- 12 2570052 Arm, TURN
- 13 3152204 Holder
- 14 2038220 Screw AM 3 x 12 DIN 84
- 15 2514028 Hook
- 16 2576080 Spacer
- 17 2620061 Washer (transport)
- 18 8400085 Motor
- 19 2938113 Bushing (foam rubber)
- 20 2542416 Bracket
- 21 2042209 Screw AM 4 x 10 DIN 84
- 22 3454172 Bottom
- 23 2850068 Pickup arm, complete
- 24 2046204 Screw, transit protection device
- 25 2072707 Threaded pin AM 3 x 6
- 26 2938110 Washer for transit protection device
- 27 3341013 Stopper
- 28 7530005 Solder tag
- 29 2038208 Screw AM 3 x 5 DIN 84
- 30 2510067 Clamp
- 31 2038203 Screw AM 3 x 4 DIN 84
- 32 2515024 Clamp
- 33 3172069 Insulating piece
- 34 7505003 Connection block
- 35 2038220 Screw AM 3 x 12 DIN 84
- 36 2938100 Bushing, lock
- 37 2622228 Washer
- 38 2815007 Leaf spring
- 39 2640032 Clamp
- 40 2390046 Lock disc
- 41 2043207 Screw AM 4 x 6 DIN 7985







- |     |         |                |
|-----|---------|----------------|
| 101 | 2390002 | Locking ring   |
| 102 | 2804034 | Idler wheel    |
| 103 | 2851089 | Arm            |
| 104 | 2854047 | Arm            |
| 105 | 2570053 | Arm            |
| 106 | 2620060 | Washer         |
| 107 | 2620060 | Washer         |
| 108 | 2804035 | Stepped pulley |
| 109 | 2622241 | Washer         |
| 110 | 3356030 | Magnet         |
| 111 | 2819115 | Spring         |
| 112 | 2810079 | Spring         |



121	2805019	Washer
122	2794064	Flywheel
123	2905060	Washer
124	3150037	Bearing bushing
125	2700014	Gear-wheel
126	2819114	Friction spring
127	2390002	Locking ring
128	3014025	Friction plate
129	3014031	Arm positioning guide
130	2395030	Locking ring
131	2938088	Washer
132	3014033	Arm positioning guide
133	2622198	Washer
134	2038268	Screw AM 3 x 25 DIN 84
135	2380013	Nut M3
136	2803005	Eccentric
137	2992048	Pin
138	2770168	Knob for mains-voltage switch
139	3131128	Housing for contact
140	7536030	Tagstrip
	5001001	Resistor 10 ohms 10% 1/2W
	4010050	Capacitor 10 nF / 265 V
141	2038208	Screw AM 3 x 5 DIN 84
142	3162097	Cover
143	2380013	Nut M3
144	2570057	Arm
145	2622136	Washer
146	3035020	Plastic foot
147	2819075	Spring
148	2850057	Arm
149	2853046	Hammer, complete
150	3017011	Cam-lifting wheel
151	2390002	Locking ring
152	2853050	Release
153	2620060	Washer
154	2390002	Locking ring
155	2852034	Arm
156	2390066	Locking ring
157	2852033	Arm
158	2038220	Screw AM 3 x 12 DIN 84
159	2361019	Locking pin
160	2038208	Screw AM 3 x 5 DIN 84
161	2623030	Lifting ring
162	2389041	Nut
163	2812063	Spring
164	3130054	Lifting device
165	2938103	Ring
166	2390069	Locking ring
167	2390065	Locking ring
168	3110007	Chassis
169	2390033	Locking ring
170	3152186	Ball holder
171	2938114	Bushing
172	2917017	Ball
173	7459014	Contact (silent)
	7530072	Solder tag
174	7459015	Contact (slide valve)
175	2938115	Pile bearing
176	2390033	Locking ring
177	2851088	Arm
178	2819106	Spring
179	2750018	Clutch disc
180	2819107	Spring
181	2850083	Lifting bar
182	2530326	Bracket
183	2938116	Pile
184	2852032	Lifting arm
185	2810082	Spring
186	2390002	Locking ring
187	2938111	Pickup bearing complete

PARTS NOT SHOWN

6270182	Pickup lead mounted
6271047	Mains lead
3152171	Transit protection device for pickup arm
3391463	Outer earthen
3391464	Top/bottom insert
3397251	Foam packing
3397252	Foam packing, lid insert

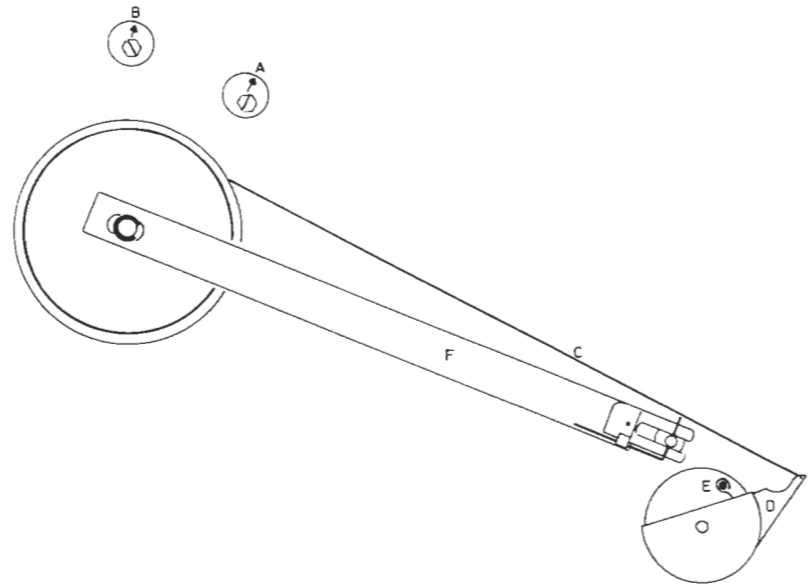
PARTS LIST FOR BEOGRAM 1900, TYPE 5701

3	3458161	Top plate, complete
4	3412264	Cabinet, oak
55	8954410	Pickup unit

Other parts as for Beogram 3400

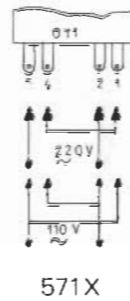
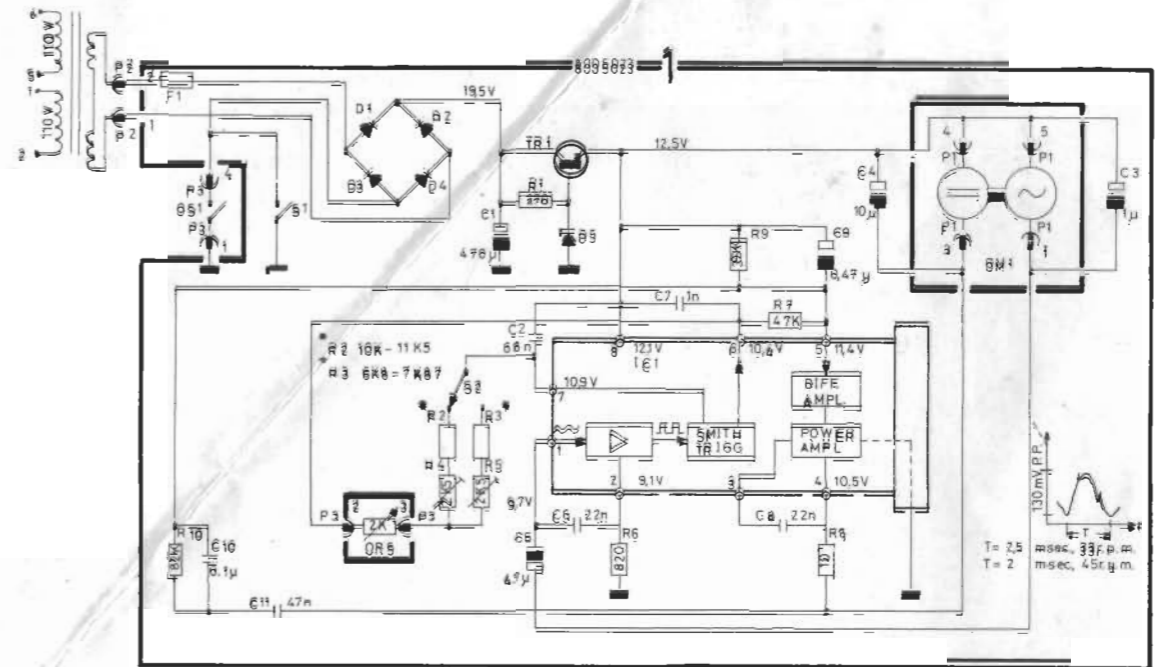


SERVICE TIPS  
Pickup arm mounting

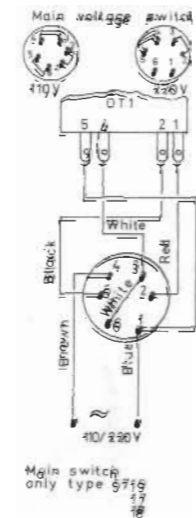


Set eccentric screws A and B so that the arrows are at right angles to arm F, as shown in the sketch.  
 Activate "45".  
 Rotate the turntable until clutch D stops its travel. Hold the cueing arm C in this position.  
 Move the pickup arm in to the touch-down position for 17 cm records, and clamp the pickup arm.  
 Coarse adjustment of pickup touch-down can be made by turning eccentric pin E, using a pair of flat-nose pliers.  
 Fine adjustment is performed as described above, with eccentric screws A and B.

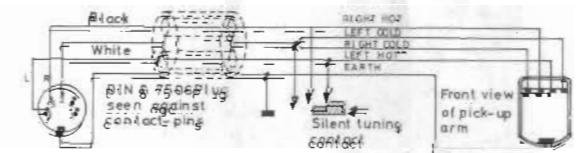
Blank lines for notes or service records.



571X



Main switch only type 9715



3538433 TO PASTE IN SERVICE MANUAL FOR BEOGRAM 1102 - 1902

BEOGRAM 1500, TYPE 5714

1	2726113	Plattenteller	Turntable
3	3458205	Topplade komplet	Top plate complete
22a	2722026	Riemenscheibe	Top plate comp. pulley
24a	8954640	Tonabnehmer MMC 20S (replacement)	Pick-up MMC 20S (replacement)
37	8013201	Netztransformator	Main transformer
76	2853057	Åbbløser	Release
136	3164317	Støvlag	Dust cover

Ovrige dele som Beogram 1102, type 5715      Other parts as Beogram 1102, type 5715

1	2726113	Plattenteller	Turntable
3	3458205	Abdeckplade komplet	Top plate complete
22a	2722026	Riemenscheibe	Top plate comp. pulley
24a	8954640	Tonabnehmer MMC 20S (replacement)	Pick-up MMC 20S (replacement)
37	8013201	Netztransformator	Main transformer
76	2853057	Åbbløser	Release
136	3164317	Abdeckhaube	Dust cover

Øvrige dele wie Beogram 1102, Type 5715