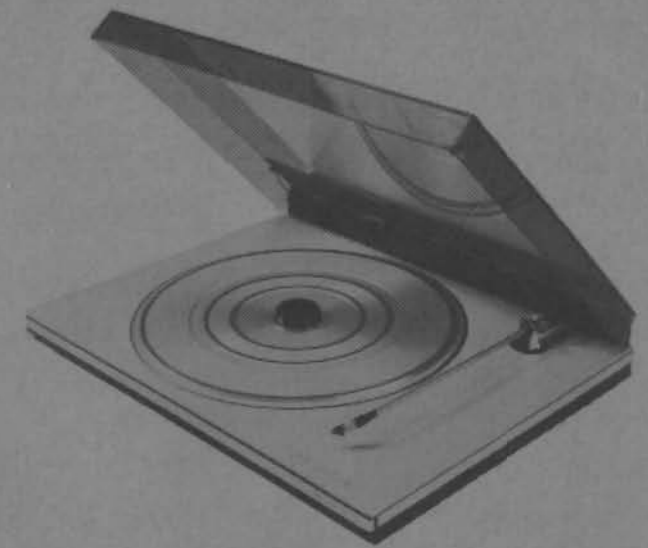


Bang & Olufsen



Beogram 1800
Type 5811/13/14/15

Beogram 5000
Type 5803/04/05/06

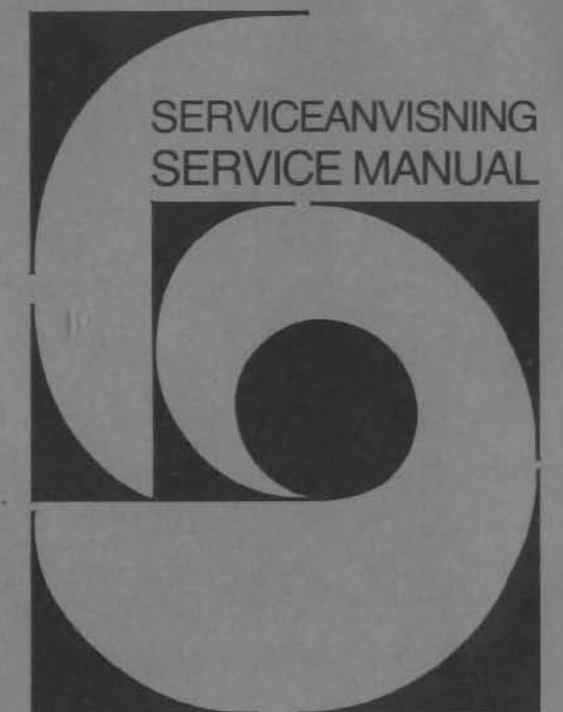
Beogram 2000
Type 5821/23/24/25

BANG & OLUFSEN
DK - 7600 STRUER
DENMARK

TELEPHONE 07 - 85 11 22* - TELEX 66529
CABLE ADDRESS BANGOLUF

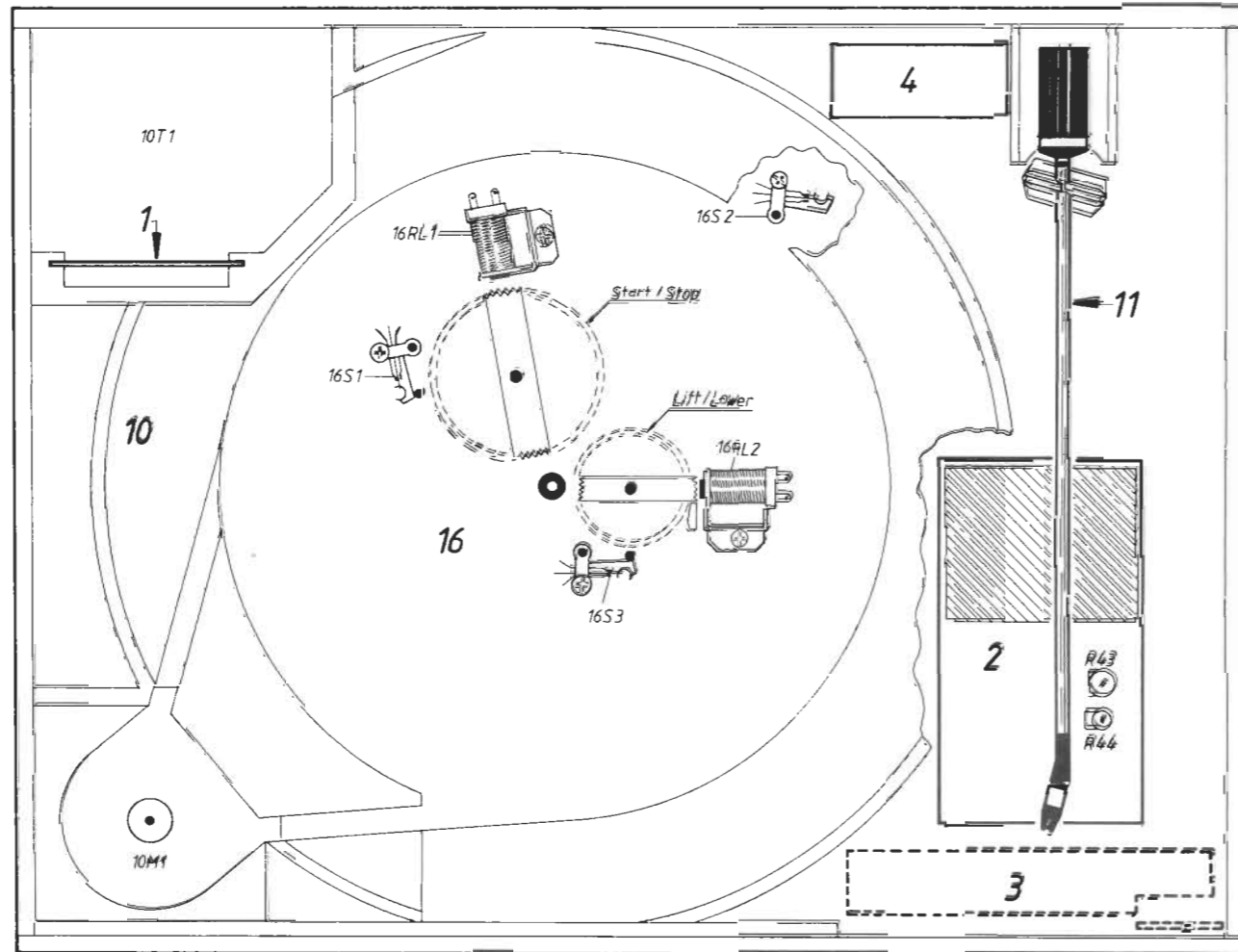
3538553

12-82

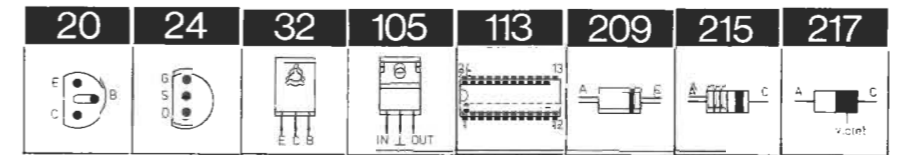


MODULES

1. Power Supply
2. μ Computer/Control Circuit
3. Keyboard Panel
4. Muting Circuit
10. Chassis/Cabinet
11. Tonearm
12. Dust Cover
16. Floating Chassis



SEMI-CONDUCTORS



Transistors

| | | | | | | | |
|----------|---------|----|--------------|----------|---------|----|----------|
| 2TR1 | 8320240 | 32 | BD 136/W | 2TR7-TR8 | 8320097 | 20 | BC 547B |
| 2TR2 | 8320152 | 20 | BC 557B | 2TR9 | 8320396 | 24 | MPF 4392 |
| 2TR3 | 8320097 | 20 | BC 547B | | | 24 | 2N 5630 |
| 2TR4-TR5 | 8320295 | 20 | BC 337-25/18 | 2TR10 | 8320097 | 20 | BC 547B |

IC's

| | | | | | | | |
|-------|---------|-----|---------|-------|---------|-----|----------------|
| 2IC1A | 8340455 | 113 | COP 410 | 16IC1 | 8340049 | 105 | 7812C |
| | | | | | | 105 | LM 340T-12 |
| | | | | | | 105 | μ A 7812CU |
| | | | | | | 105 | MC 7812 |

Diodes

| | | | | | | | |
|--------|---------|-----|---------|--------|---------|-----|-------------|
| 1D1-D4 | 8300023 | 205 | 1N 4002 | 2D2 | 8300169 | 209 | ZPD 5V1 |
| | | 209 | 1N 4003 | | | 209 | BZX 79 C5V1 |
| | | | | | | 209 | BZX 83 C5V1 |
| 2D1 | 8300058 | 205 | 1N 4148 | 2D3-D5 | 8300058 | 209 | 1N 4148 |
| | | 217 | SFD 184 | | | 217 | SFD 184 |
| | | 215 | 1N 4148 | | | 215 | 1N 4148 |

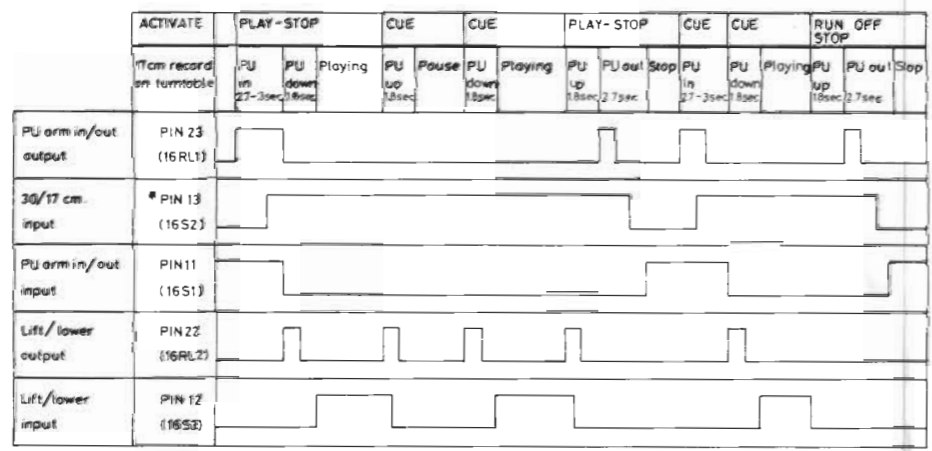
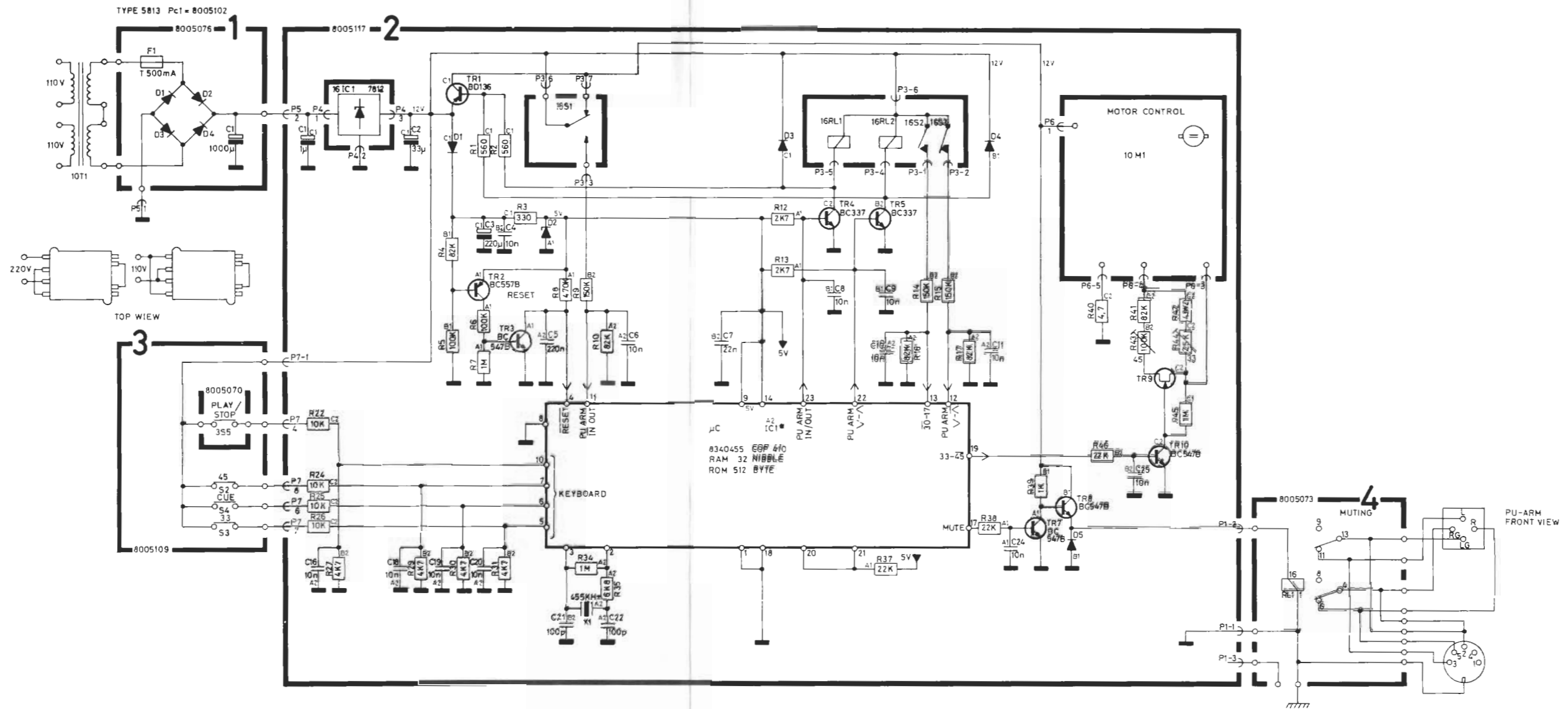
Δ betyder at statisk elektricitet kan ødelægge komponenten.

Δ indicates that static electricity may destroy the component.

Δ bedeutet, daß statische Elektrizität die Komponente zerstören kann.

Δ signifie que électricité statique peut détruire le composant.

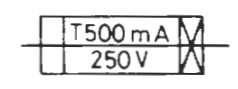
BEOGRAM 1800, type 581x



| | | | |
|------|----|----|----|
| GN0 | 1 | 24 | 00 |
| CK0 | 2 | 23 | 01 |
| SK1 | 3 | 22 | 02 |
| RES0 | 4 | 21 | 03 |
| L7 | 5 | 20 | 04 |
| L6 | 6 | 19 | 05 |
| L5 | 7 | 18 | 06 |
| L4 | 8 | 17 | 07 |
| Vcc | 9 | 16 | 08 |
| L3 | 10 | 15 | 09 |
| L2 | 11 | 14 | 10 |
| L1 | 12 | 13 | 11 |

Explanation of the fuse symbols used in the set:

Explanation des symboles du fusible utilisés dans l'appareil:



Replace with same type 500 milliamperes 250 volts slow acting fuse.

Remplacer par un fusible de meme type retardé et de 500 milliamperes 250 volts.

LIST OF ELECTRICAL PARTS
Power Supply 8005076 - PCB1

Control Circuit 8005117 - PCB2

| | | | | | |
|-----|---------|-----------------|-----|---------|-----------------------|
| C1 | 4200388 | 1000 µF 35V | F1 | 6600024 | 500 mA-slow |
| | | | | 6600033 | 500 mA-slow (5813/14) |
| R1 | 5010067 | 560 Ω ±5% 1/4W | R25 | 5010059 | 10 kΩ ±5% 1/4W |
| R2 | 5010067 | 560 Ω ±5% 1/4W | R26 | 5010059 | 10 kΩ ±5% 1/4W |
| R3 | 5010044 | 330 Ω ±5% 1/4W | R27 | 5010048 | 4.7 kΩ ±5% 1/4W |
| R4 | 5010091 | 82 kΩ ±5% 1/4W | R29 | 5010048 | 4.7 kΩ ±5% 1/4W |
| R5 | 5010049 | 100 kΩ ±5% 1/4W | R30 | 5010048 | 4.7 kΩ ±5% 1/4W |
| R6 | 5010049 | 100 kΩ ±5% 1/4W | R31 | 5010048 | 4.7 kΩ ±5% 1/4W |
| R7 | 5010054 | 1 MΩ ±5% 1/4W | R34 | 5010054 | 1 MΩ ±5% 1/4W |
| R8 | 5010077 | 470 kΩ ±5% 1/4W | R35 | 5010040 | 1 kΩ ±5% 1/4W |
| R9 | 5010063 | 150 kΩ ±5% 1/4W | R37 | 5010079 | 22 kΩ ±5% 1/4W |
| R10 | 5010091 | 82 kΩ ±5% 1/4W | R38 | 5010079 | 22 kΩ ±5% 1/4W |
| R12 | 5010298 | 2.7 kΩ ±5% 1/4W | R39 | 5010040 | 1 kΩ ±5% 1/4W |
| R13 | 5010298 | 2.7 kΩ ±5% 1/4W | R40 | 5020501 | 4.7 Ω ±5% 1W |
| R14 | 5010063 | 150 kΩ ±5% 1/4W | R41 | 5010091 | 82 kΩ ±5% 1/4W |
| R15 | 5010063 | 150 kΩ ±5% 1/4W | R42 | 5020132 | 43.2 kΩ ±1% 1/4W |
| R16 | 5010091 | 82 kΩ ±5% 1/4W | R43 | 5370128 | 100 kΩ ±20% |
| R17 | 5010091 | 82 kΩ ±5% 1/4W | R44 | 5370068 | 25 kΩ ±20% |
| R22 | 5010059 | 10 kΩ ±5% 1/4W | R45 | 5010054 | 1 MΩ ±5% 1/4W |
| R24 | 5010059 | 10 kΩ ±5% 1/4W | R46 | 5010079 | 22 kΩ ±5% 1/4W |

| | | | | | |
|-----|---------|--------------------|-----|---------|-------------------|
| C1 | 4200512 | 1 µF 50V | C11 | 4010106 | 10 nF -20+80% 40V |
| C2 | 4200509 | 33 µF 25V | C16 | 4010106 | 10 nF -20+80% 40V |
| C3 | 4200396 | 220 µF 16V | C18 | 4010106 | 10 nF -20+80% 40V |
| C4 | 4010106 | 10 nF -20+80% 40V | C19 | 4010106 | 10 nF -20+80% 40V |
| C5 | 4130233 | 0.22 µF ±20% 63V | C20 | 4010106 | 10 nF -20+80% 40V |
| C6 | 4010106 | 10 nF -20+80% 40V | C21 | 4000139 | 100 pF ±5% 63V |
| C7 | 4010107 | 22 nF -20+100% 40V | C22 | 4000139 | 100 pF ±5% 63V |
| C8 | 4010106 | 10 nF -20+80% 40V | C24 | 4010106 | 10 nF -20+80% 40V |
| C9 | 4010106 | 10 nF -20+80% 40V | C25 | 4010106 | 10 nF -20+80% 40V |
| C10 | 4010106 | 10 nF -20+80% 40V | | | |

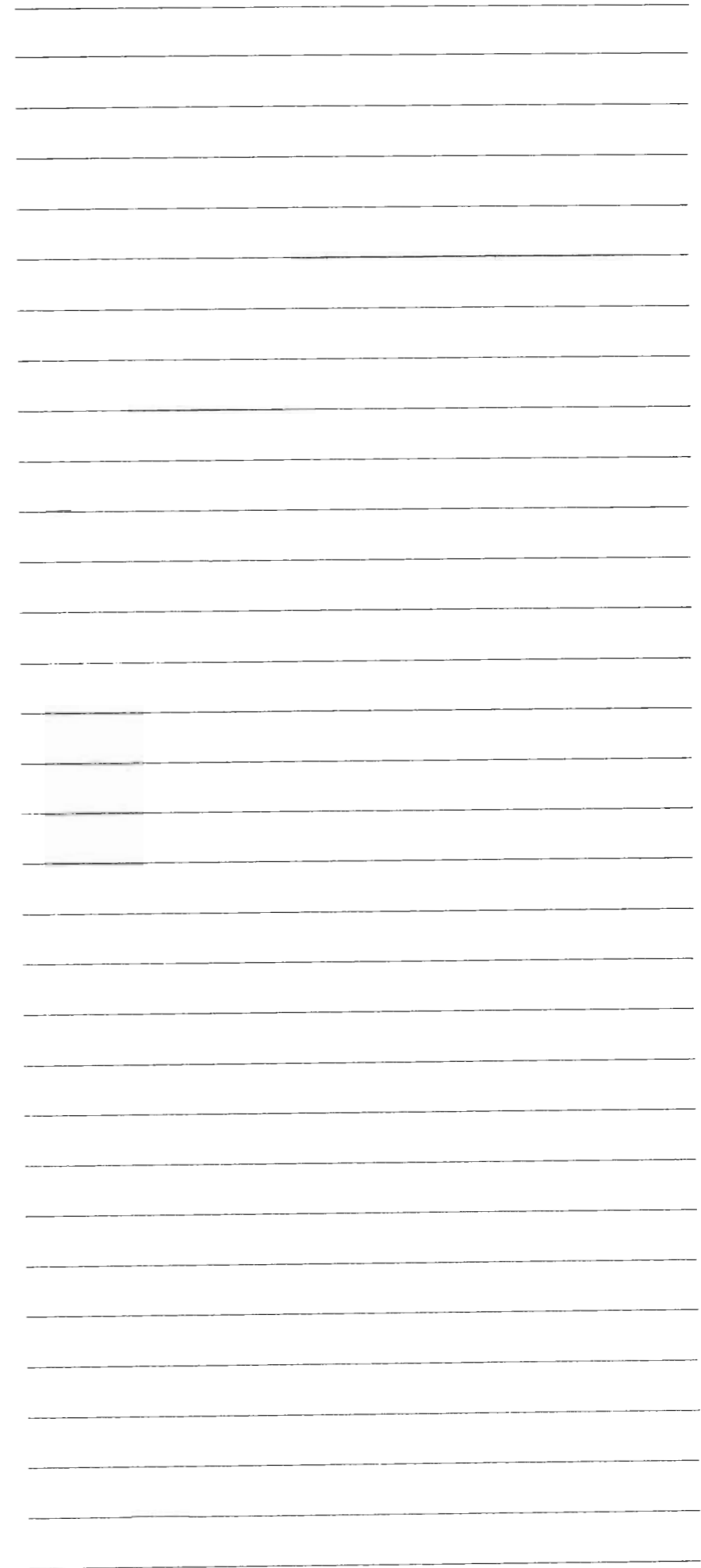
| | | | | | |
|----|---------|---------------|----|---------|---------------|
| P1 | 7220285 | Plug 3 pins | P5 | 7220279 | Plug 2 pins |
| P3 | 7220286 | Plug 7 pins | P6 | 7220114 | Plug 5/4 pins |
| P4 | 7210020 | Socket 3 pins | P7 | 7220130 | Plug 8/7 pins |

| | |
|---------|--------------|
| 7200072 | Socket f/IC1 |
| 3302363 | Cover f/µC |

| | | |
|----|---------|----------------|
| X1 | 8030024 | 455 kHz ±1 kHz |
|----|---------|----------------|

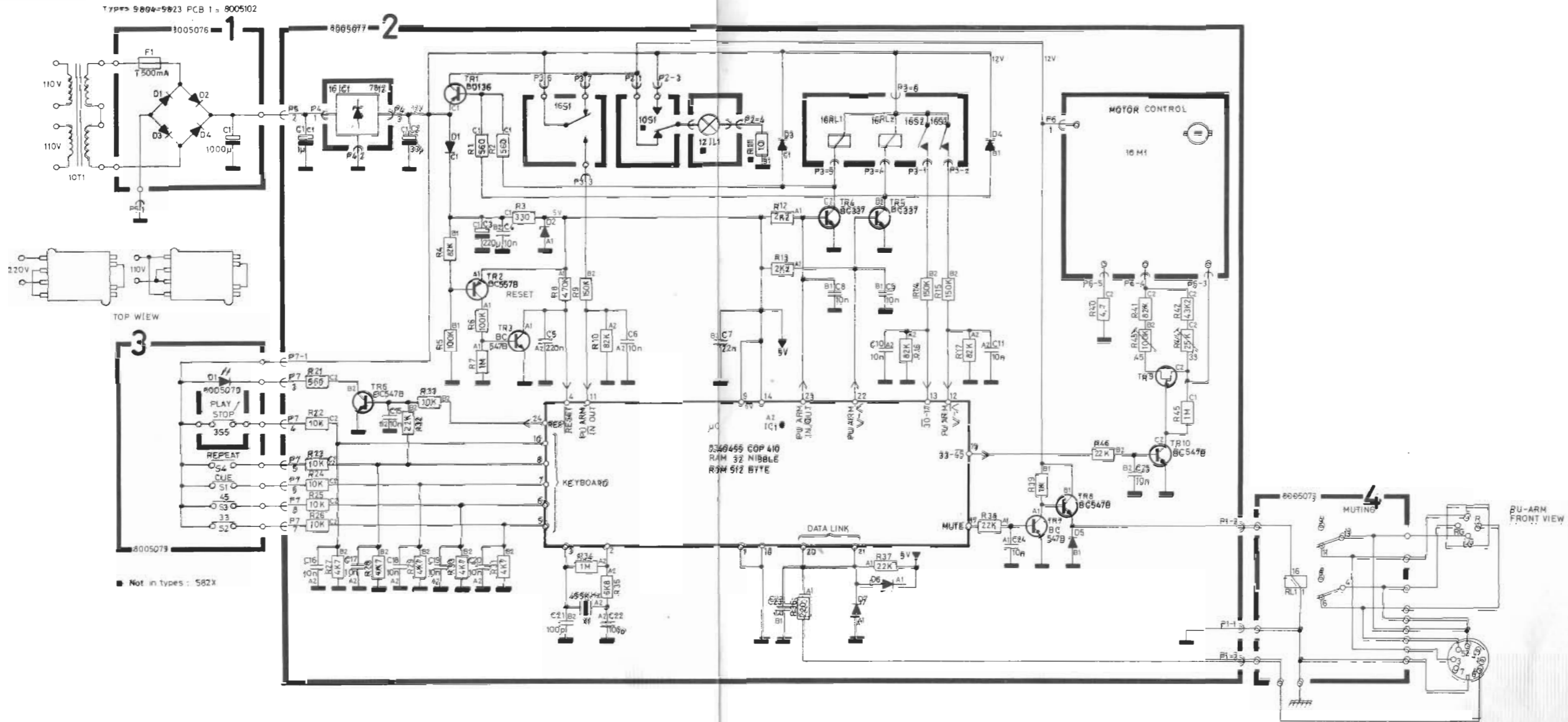
| | | |
|-----|---------|-----------|
| RL1 | 7600059 | Relay 12V |
|-----|---------|-----------|

Muting - PCB4

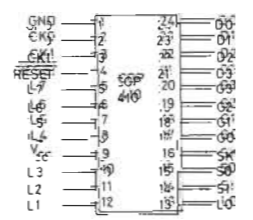
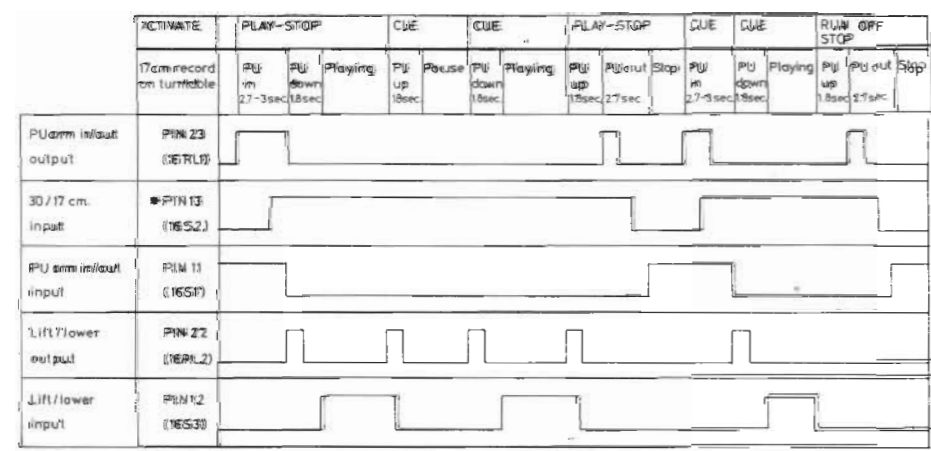


BEOGRAM 5000, type 580x

BEOGRAM 2000, type 582x



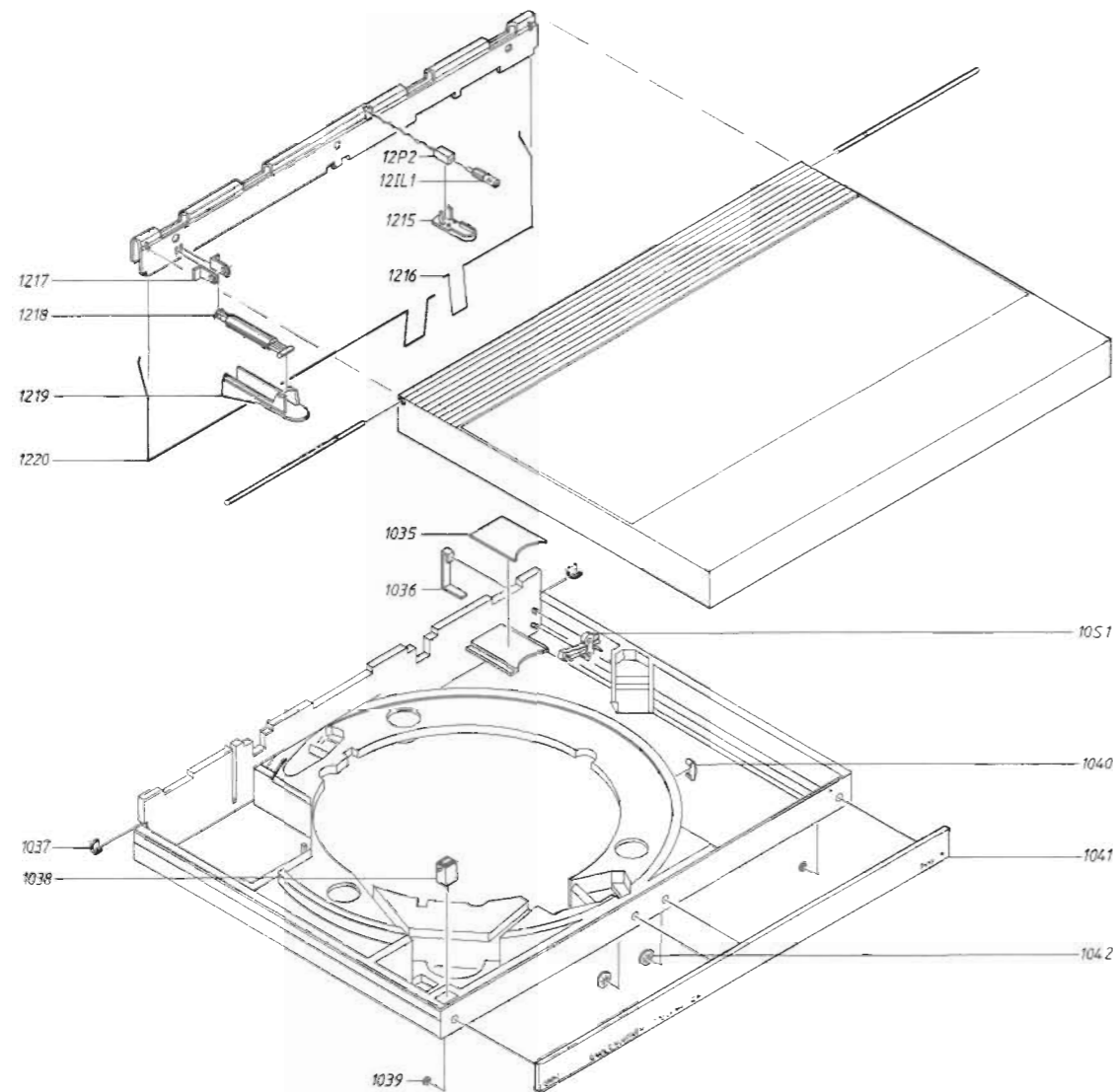
PASTE INTO SERVICE MANUAL BEOGRAM 1800



Explanation of the fuse symbols used in the set:
 Explication des symboles de fusible utilisés dans l'appareil:

Replace with same type 500 mA-250 V slow acting fuse.
 Remplacer par un fusible de même type retardé et de 500 mA-250 V.

BEGRAM 5000, type 580x



| | | | |
|---------|---------|---------------|-----------------|
| 02Modul | 8005077 | Styrekredsløb | Control circuit |
| 02TR6 | 8320097 | BC 547B | BC 547B |
| 02D6- | 8300058 | 1N 4148 | 1N 4148 |
| 02D7 | | | |

| | | | |
|---------|---------|-----------------|----------------------|
| 03Modul | 2775895 | Knapsæt m/print | Set of buttons w/PCB |
| 03P7 | 6275493 | Ledning m/stik | Wires w/socket |
| 03D1 | 8330074 | LED rød V 330PA | LED red V 330PA |

| | | | |
|--------|---------|---------------------|--------------------|
| 1001 | 3458275 | Topplade | Top plate |
| 1011 | 8954870 | Pickup MMC 4-R | Pick-up MMC 4-R |
| * 1018 | 2510141 | Spændestykke | Clamp |
| 1025 | 3414010 | Kabinet, alu | Cabinet, alu |
| | 3414013 | Kabinet, palisander | Cabinet, rosewood |
| 1032 | 3035026 | Glidesko | Plastic foot |
| * 1035 | 3458270 | Alu-Plade | Alu-plate |
| 1036 | 2530436 | Arm | Arm |
| 1037 | 2815010 | Bronze fjeder | Bronze spring |
| 1038 | 3152355 | Magnet | Magnet |
| 1039 | 2390085 | E-ring 3 | E-ring 3 |
| 1040 | 2819192 | Bronze fjeder | Bronze spring |
| 1041 | 2568691 | Frontprofil | Front piece |
| 1042 | 2390001 | Låseskive 2,3 | Retaining ring 2.3 |
| 10S1 | 7402081 | Microomskifter | Micro switch |

| | | | |
|-----------|---------|--------------------|-------------------|
| * 11Modul | 2850126 | Pickuparm, komplet | Tonearm, complete |
| | 3302353 | Pynteskærme | Decorative shells |

BEGRAM 2000, type 582x

MMC4 Cartridge

| | | | |
|-------|---------|-----------------|-----------------|
| 1205 | 3030064 | Hængsel | Hinge |
| 1210 | 3164546 | Støvlåg | Dust cover |
| 1215 | 3152376 | Dæksel | Cover |
| 1216 | 2819170 | Torsionsfjeder | Torsion spring |
| 1217 | 2530434 | Vinkel | Bracket |
| 1218 | 3011020 | Friktionsdæmper | Shock reducer |
| 1219 | 3164488 | Dæksel | Cover |
| 1220 | 2819169 | Torsionsfjeder | Torsion spring |
| 12P2 | 6274042 | Ledning m/stik | Wires w/sockets |
| 12IL1 | 8230077 | 12V-83mA | 12V-83mA |

| | | |
|---------|--------------------|------------------|
| 3535012 | Diagramhæfte | Diagram folder |
| 6271169 | Signalkabel 7 pol. | Connector 7 pol. |

| | | | |
|---------|---------|---------------|-----------------|
| 02Modul | 8005077 | Styrekredsløb | Control circuit |
| 02TR6 | 8320097 | BC 547B | BC 547B |
| 02D6- | 8300058 | 1N 4148 | 1N 4148 |
| 02D7 | | | |

| | | | |
|---------|---------|-----------------|----------------------|
| 03Modul | 2775895 | Knapsæt m/print | Set of buttons w/PCB |
| 03P7 | 6275493 | Ledning m/stik | Wires w/socket |
| 03D1 | 8330074 | LED rød V 330PA | LED red V 330PA |

| | | | |
|------|---------|--------------------|------------------|
| 1001 | 3458314 | Topplade | Top plate |
| | 2560145 | Frontskinne | Front piece |
| | 3535012 | Diagramhæfte | Diagram folder |
| | 6271169 | Signalkabel 7 pol. | Connector 7 pol. |

Øvrige dele som Beogram 1800, type 581x

Other parts as for Beogram 1800, type 581x

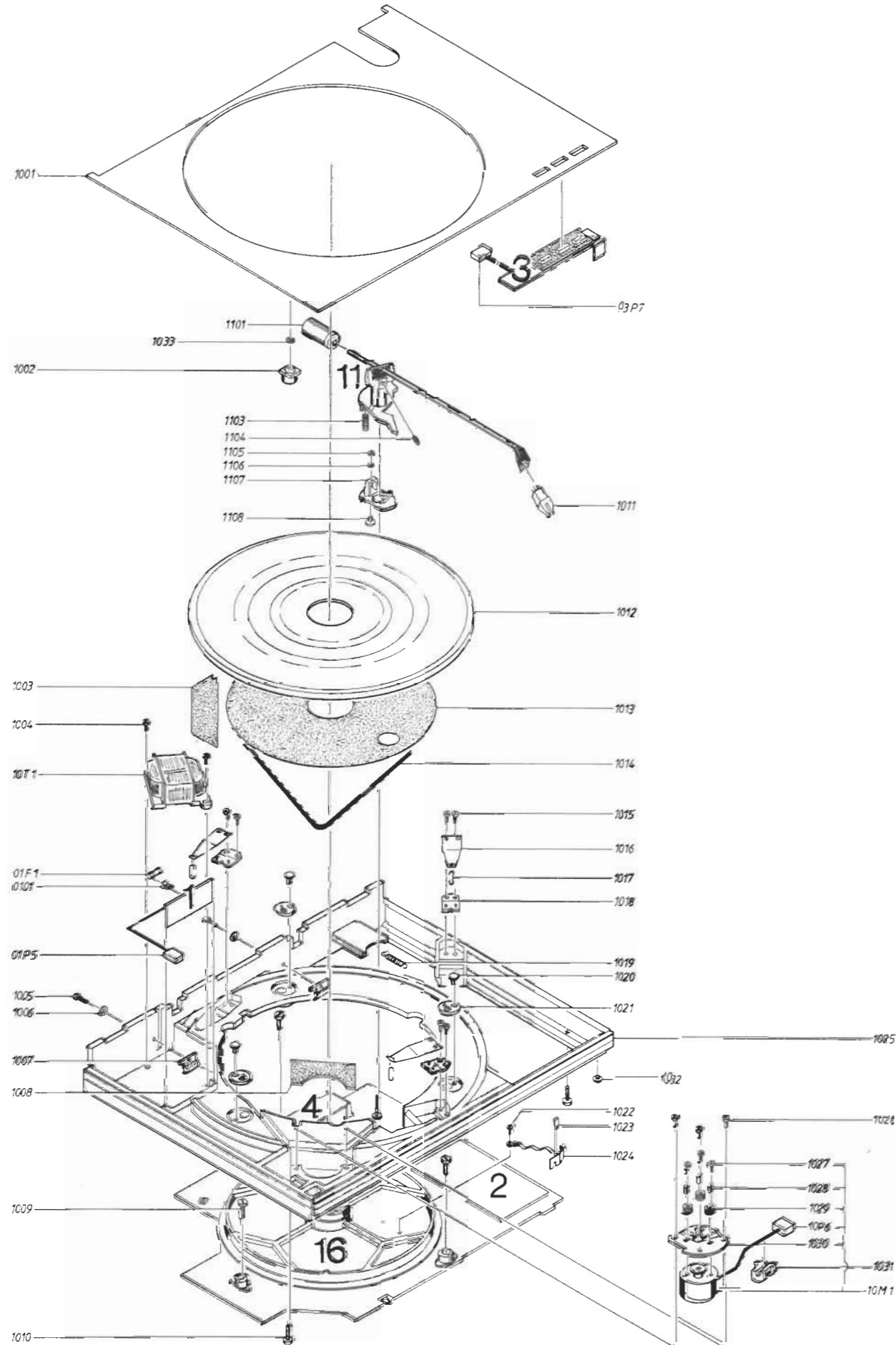
*Rettelse til stykliste Beogram 1800

*Correction of parts list for Beogram 1800

| | |
|---------------------------------|------------------------|
| Recommended tracking force | 12 mN/1.2 g |
| Frequency range | 20-20,000 Hz ±2.5 dB |
| Channel separation 1000 Hz | >22 dB |
| Channel separation 50-15,000 Hz | >17 dB |
| Channel difference | <2 dB |
| Stylus | Elliptical diamond |
| Cantilever | Tapered aluminium tube |
| Effective tip mass | 0.4 mg |
| Compliance | 25 µm/mN |
| Sensitivity mV/cm/s RMS | >0.6 mV |
| Output 5 cm lateral RMS | >2.12 mV |
| Cartridge weight | 1.6 g |
| Load impedance | ≥47 kΩ |
| Load capacity | ≤400 pF |

Subject to change without notice

BEOGRAM 1800, type 581x



MEKANISK STYKLISTE
LIST OF MECHANICAL PARTS

| | | | |
|---------|---------|---------------------|----------------------------|
| 01Modul | 8005076 | Netdej | Power supply |
| 0101 | 7500092 | Holder f/sikring | Holder f/fuse |
| 01F1 | 6600024 | Sikring 500 mA-træg | Fuse 500 mA-slow (5811/15) |
| | 6600033 | Sikring 500 mA-træg | Fuse 500 mA-slow (5813/14) |
| 01P5 | 6274639 | Ledning m/stik | Wires w/socket |

| | | | |
|---------|---------|-----------------|----------------------|
| 03Modul | 2775927 | Knapsæt m/print | Set of buttons w/PCB |
| 03P7 | 6274099 | Ledning m/stik | Wires w/socket |

| | | | |
|------|---------|----------------------|-----------------------|
| 1001 | 3458435 | Tøpplade | Top plate |
| 1002 | 3152352 | Låsestykke | Lock piece |
| 1003 | 3172091 | Isolationsstykke | Insulating piece |
| 1004 | 2043011 | Skrue AM4 x 8 sort | Screw AM4 x 8 black |
| 1005 | 2038087 | Skrue AM3 x 16 sort | Screw AM3 x 16 black |
| 1006 | 2622306 | Skive 3,2 | Washer 3.2 |
| 1007 | 2510143 | Spændestykke | Clamp |
| 1008 | 3170209 | Isolationsstykke | Insulating piece |
| 1009 | 2042636 | Skrue AM4 x 16 | Screw AM4 x 16 |
| 1010 | 2043900 | Skrue AM4 x 20 | Screw AM4 x 20 |
| 1011 | 8954890 | Pickup MMC5-R | Pick-up MMC5-R |
| 1012 | 2726134 | Pladetallerken | Platter |
| 1013 | 2622346 | Dækskive | Cover disc |
| 1014 | 2732057 | Rem | Belt |
| 1015 | 2039027 | Skrue AM3 x 6 sort | Screw AM3 x 6 black |
| 1016 | 2815015 | Bladfeder | Leaf spring |
| 1017 | 2514035 | Krog f/ophæng | Suspension hook |
| 1018 | 2810141 | Spændestykke | Clamp |
| 1019 | 2810140 | Fjeder | Spring |
| 1020 | 2311019 | Plasttæppe | Plastic mat |
| 1021 | 2622337 | Skive | Disc |
| 1022 | 2013098 | Skrue 2,9 x 4,5 sort | Screw 2.9 x 4.5 black |
| 1023 | 2510013 | Kile | Wedge |
| 1024 | 6274102 | Stelforbindelse | Chassis connector |
| 1025 | 3414030 | Kabinet | Cabinet |
| | 2560127 | Frontskinn | Front piece |
| 1026 | 2039027 | Skrue AM3 x 6 sort | Screw AM3 x 6 black |
| 1027 | 2036016 | Skrue AM2,6 x 6 | Screw AM2.6 x 6 |
| 1028 | 2930074 | Afstandsør | Spacer |
| 1029 | 2938137 | Gummibøsning | Rubber bushing |
| 1030 | 3124087 | Holder | Holder |
| 1031 | 2938197 | Gummibøsning | Rubber bushing |
| 1032 | 3035118 | Glidesko | Rubber foot |
| 1033 | 2380016 | Motrik M4 | Nut M4 |

| | | | |
|------|---------|------------------|-------------------|
| 10M1 | 8400110 | Motor | Motor |
| 10P6 | 6274040 | Ledning m/stik | Wires w/socket |
| 10T1 | 8013274 | Nettransformator | Mains transformer |

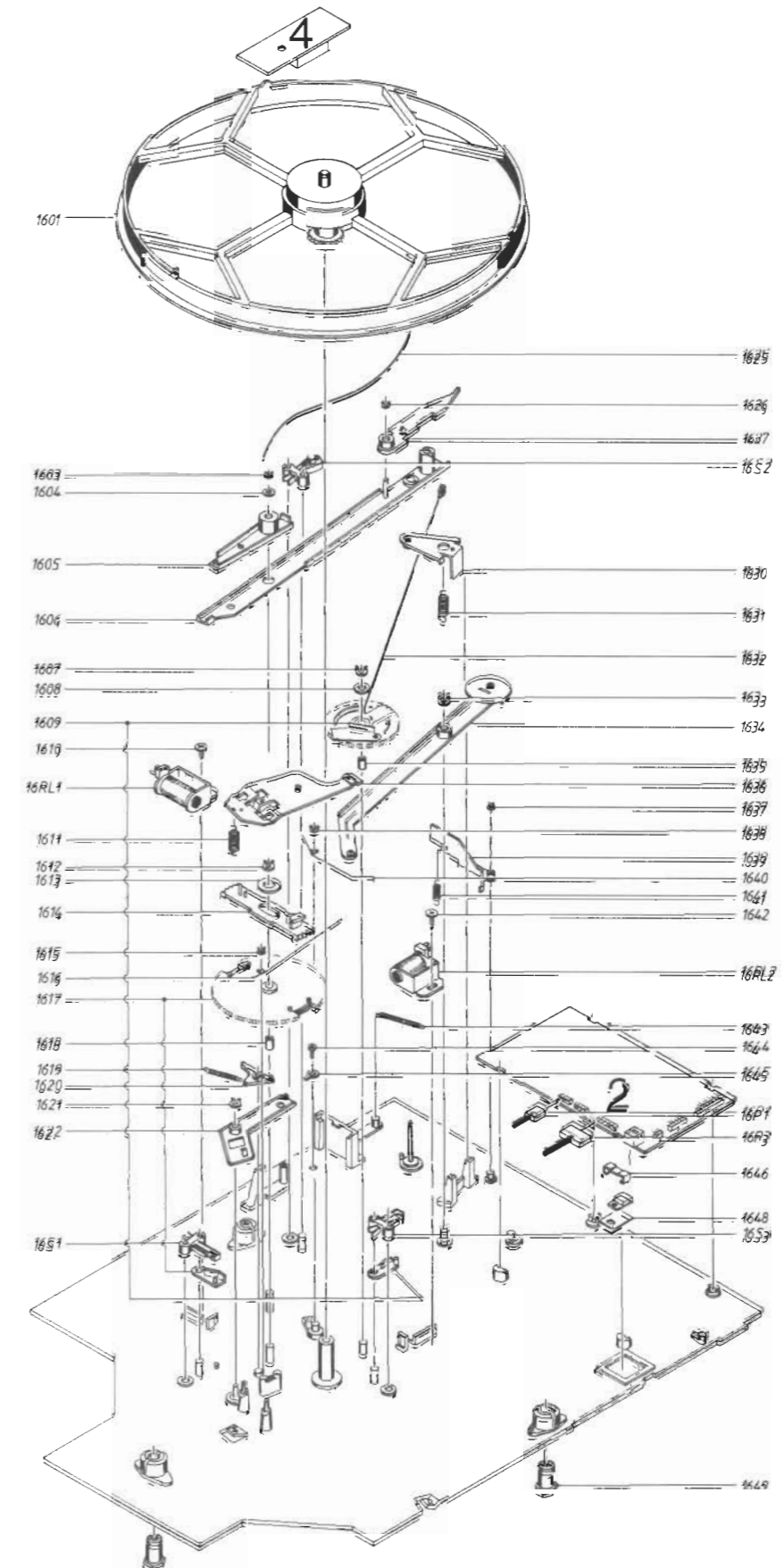
| | | | |
|---------|---------|--------------------|---------------------|
| 11Modul | 2850110 | Pickuparm, komplet | Forearm, complete |
| 1101 | 2342083 | Kontravægt | Counterweight |
| 1103 | 2812094 | Fjeder | Spring |
| 1104 | 2070034 | Gevindstift M3 x 5 | Threaded pin M3 x 5 |
| 1105 | 2390088 | Seegering 3 | Circlip 3 |
| 1106 | 2624067 | Fjederskive 3,2 | Spring washer 3.2 |
| 1107 | 2627011 | Holder | Holder |
| 1108 | 2627012 | Justeretap | Adjustment pin |

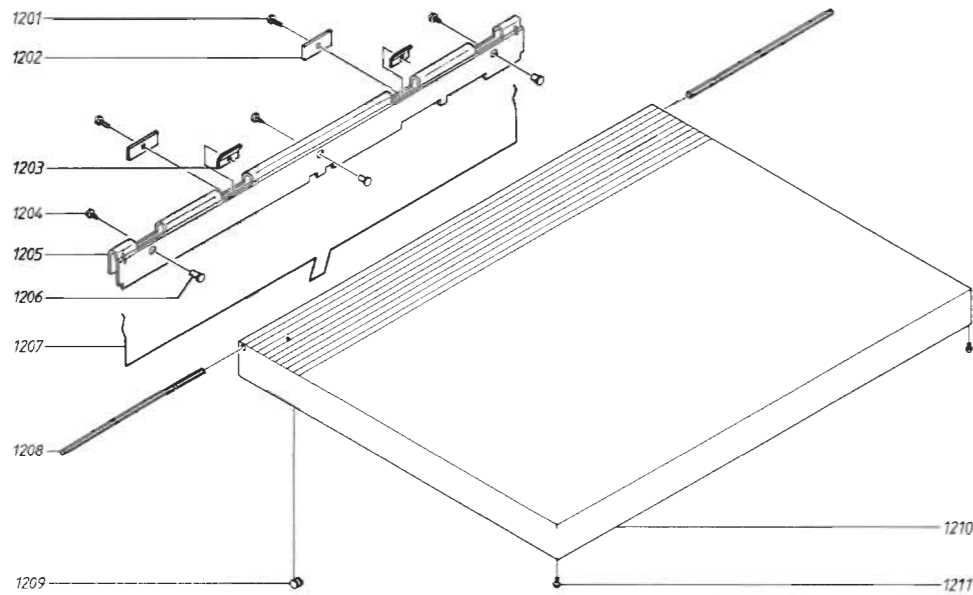
02Modul 8005117 Styrekredslob Control circuit

04Modul 6140892 Printkort/Muting Print/Muting

| | | | |
|------|---------|----------------------|--------------------------|
| 1601 | 2794092 | Svingring | Fly-wheel |
| 1603 | 2390088 | Seegering 3 | Circlip 3 |
| 1604 | 2622338 | Skive 4,1 | Washer 4.1 |
| 1605 | 2854084 | Arm | Lever |
| 1606 | 2853093 | Arm | Lever |
| | 3947139 | Isolationsstykke | Insulating piece |
| 1607 | 2390006 | Seegering 4 | Circlip 4 |
| 1608 | 2622338 | Skive 4,1 | Washer 4.1 |
| 1609 | 3017021 | Kurvehjul | Camwheel |
| 1610 | 2013098 | Skrue 2,9 x 4,5 sort | Screw 2.9 x 4.5 black |
| 1611 | 2810132 | Fjeder | Spring |
| 1612 | 2390006 | Seegering 4 | Circlip 4 |
| 1613 | 2622024 | Skive 4,3 | Washer 4.3 |
| 1614 | 2700027 | Tandsektion | Tooth-section |
| 1615 | 2390088 | Seegering 3 | Circlip 3 |
| 1616 | 2819162 | Fjeder | Spring |
| 1617 | 3017022 | Kurvehjul | Camwheel |
| 1618 | 2950096 | Bøsning | Bushing |
| 1619 | 2810138 | Fjeder | Spring |
| 1620 | 3010019 | Arm | Lever |
| 1621 | 2390088 | Seegering 3 | Circlip 3 |
| 1622 | 2854086 | Arm | Lever |
| 1625 | 2819161 | Fjeder | Spring |
| 1626 | 2390088 | Seegering 3 | Circlip 3 |
| 1627 | 2854088 | Arm | Lever |
| 1630 | 2542612 | Vippearm | Tilting lever |
| 1631 | 2810133 | Fjeder | Spring |
| 1632 | 2570067 | Stang, samlet | Connecting rod, complete |
| 1633 | 2390006 | Seegering 4 | Circlip 4 |
| 1634 | 2852044 | Arm | Lever |
| 1635 | 2950098 | Bøsning | Bushing |
| 1636 | 2854085 | Vippearm | Tilting lever |
| 1637 | 2390088 | Seegering 3 | Circlip 3 |
| 1638 | 2390088 | Seegering 3 | Circlip 3 |
| 1639 | 2542609 | Arm | Lever |
| 1640 | 2819163 | Fjeder | Spring |
| 1641 | 2810090 | Fjeder | Spring |
| 1642 | 2013080 | Skrue 2,9 x 5,4 sort | Screw 2.9 x 5.4 sort |
| 1643 | 2810139 | Fjeder | Spring |
| 1644 | 2013080 | Skrue 2,9 x 4,5 sort | Screw 2.9 x 4.5 sort |
| 1645 | 7530005 | Lødløsting | Solder tag |
| 1646 | 2395043 | Bronzefjeder | Bronze spring |
| 1648 | 3170169 | Glimmerskive | Mica sheet |
| 1649 | 2380128 | Gevindbøsning | Threaded bushing |

| | | | |
|-------|---------|----------------------|---------------------|
| 16P1 | 6275491 | Ledningssæt | Set of wires |
| 16P3 | 6275491 | Ledningssæt | Set of wires |
| 16RL1 | 8020412 | Solenoide start/stop | Solenoid start/stop |
| 16RL2 | 8020412 | Solenoide lower/lift | Solenoid lower/lift |
| 16S1 | 7402081 | Microomskifter | Micro switch |
| 16S2 | 7402081 | Microomskifter | Micro switch |
| 16S3 | 7402081 | Microomskifter | Micro switch |



Støvlåg
Dust Cover

| | | | |
|------|---------|--------------------|---------------------|
| 1201 | 2039028 | Skrue AM3 x 8 sort | Screw AM3 x 8 black |
| 1202 | 2628006 | Fjeder | Spring |
| 1203 | 2624025 | Friktionsstykke | Friction piece |
| 1204 | 2043007 | Skrue AM4 x 6 sort | Screw AM4 x 6 black |
| 1205 | 3030069 | Hængsel | Hinge |
| 1206 | 2384008 | Gevindbøsning | Threaded bushing |
| 1207 | 2819191 | Torsionsfjeder | Torsion spring |
| 1208 | 2830104 | Aksel | Shaft |
| 1209 | 2794097 | Rulle | Roller |
| 1210 | 3164490 | Støvlåg | Dust cover |
| 1211 | 3010007 | Stop | Stop |

Ikke viste dele
Parts Not Shown

| | | |
|---------|-------------------------|---------------------------|
| 3535000 | Diagram | Circuit diagram |
| 3397443 | Skumemballagesæt | Set of foam packing |
| 3917040 | Skumklods f/PU-arm | Foam block f/PU-arm |
| 3391251 | Yderæske | Outer carton |
| 6270253 | Signalledning 5811/15 | Connector 5811/15 |
| 6270254 | Signalledning 5813/14 | Connector 5813/14 |
| 6270255 | Stelforbindelse 5813/14 | Chassis connector 5813/14 |
| 6271115 | Netledning 5811 | Mains connector 5811 |
| 6100012 | Netledning 5813 | Mains connector 5813 |
| 6271119 | Netledning 5814 | Mains connector 5814 |
| 6271091 | Netledning 5815 | Mains connector 5815 |

JUSTERINGER

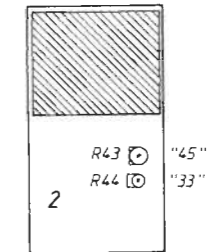
Hastighed

33 Omdr./min skal justeres først. Justeringen foretages med 2R44-45 omdr./min. justeres med 2R43.

ADJUSTMENTS

Speed

First adjust the 33 r.p.m. Adjust with 2R44 - Adjust 45 r.p.m. with 2R43.



Hastigheden kan kontrolleres på to måder:

1. Med stroboskive og en lampe tilsluttet lysnettet. Denne kontrol giver en nøjagtighed på ca. 2%, da netfrekvensen på 50 Hz afgiver ca. ± 1 Hz.
2. Med stroboskive og stroboskoplampe. Denne kontrol giver en nøjagtighed, som svarer til stroboskoplampens tolerance, hvilket normalt er betydeligt bedre end netfrekvensen.

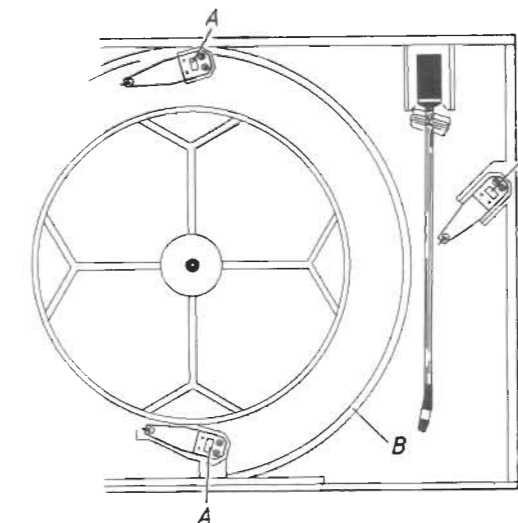
The speed can be checked in two ways:

1. With a stroboscope disc and a lamp connected to the electric mains. This check will result in an inaccuracy of approx. 2%, since the 50 Hz mains frequency fluctuates approx. ± 1 Hz.
2. Use a stroboscope disc with a stroboscopic lamp. This check will result in an accuracy corresponding to the tolerance of the stroboscopic lamp, which is normally much closer than that of the electric mains.

MEKANISKE JUSTERINGER

Ved mekaniske justeringer bør apparatet ikke være tilsluttet netspænding

Værk højde



MECHANICAL ADJUSTMENTS

The record player should not be connected to the electric mains during mechanical adjustments.

Turntable Height

Værkhøjden justeres indtil underkanten af pladetallerkenen ligger mellem max. 0,5 mm over, eller flugter med overkanten af skumchassiset (B) hele vejen rundt.

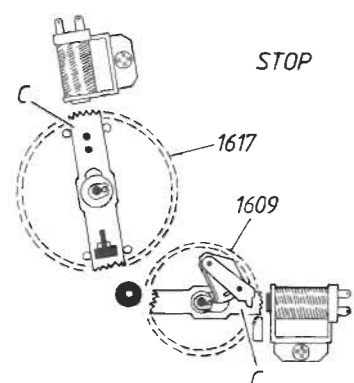
Adjust the turntable height until the underside of the platter is approx. 0.5 mm above or is flush with the top side of the foam chassis (B) all the way round.

Justeringen foretages ved at bukke de tre vinkler, som holder ophængningsbladfedrene. Bukningerne foretages med en skruetrækker i hullerne A.

Make the adjustment by bending the three brackets which support the suspension leaf springs. Make the bends with a screwdriver inserted in the holes A.

Pick-up arm hævs/sænk

De to kurvehjul (pos. nr. 1609 og 1617) kan aktiveres ved at skubbe den tværgående midterarm C ind mod centrum og derefter dreje svingringen.



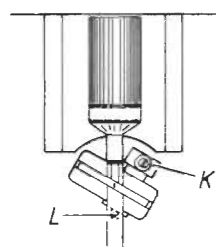
Kurvehjulet 1609 stilles i stilling STOP.

Eksentrik D drejes forsigtigt indtil den netop berører vippen E, således at armen J er fri for slør.

Kurvehjulet 1609 stilles i stilling PLAY.

Afstanden mellem armen H og pick-uparmsholderen I skal være 1 mm i punktet F. Er afstanden større eller mindre end 1 mm, bukket armen H i punktet G.

Pick-up højde



Eksentrik K drejes mod uret til stop.

Kontravægten stilles 0,5 g under balancepunktet.

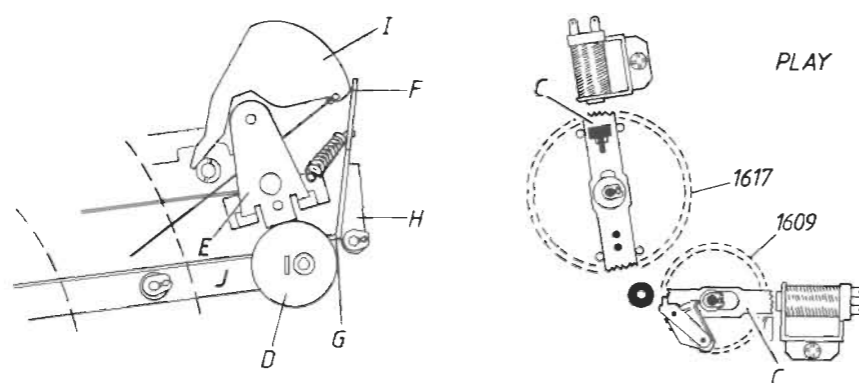
Kurvehjulet 1609 stilles i stilling STOP.

Pick-up armen føres ind over den inderste forhøjning på pladetalderen (punktet M).

Skruen L justeres til afstanden mellem pick-up nål og pladetalderen er 9 mm.

Pick-up Arm Lowering/Raising

The two camwheels (1609 and 1617) can be activated by pushing the traversing centre arm C towards the centre and then turn the fly-wheel.



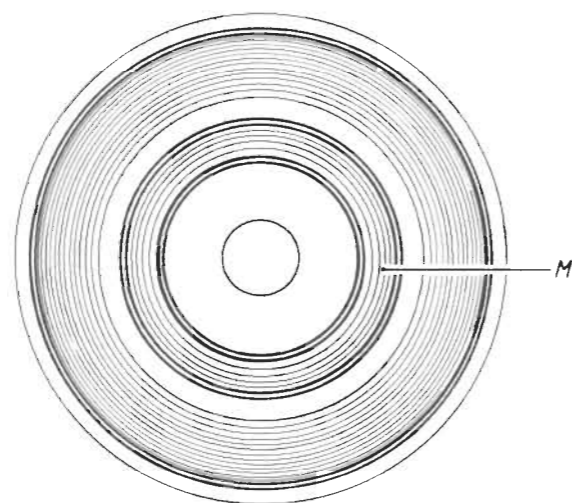
Set the camwheel 1609 in its stop position.

Turn the eccentric disc D carefully until it just touches the lever arm E, so that the arm J has no slack.

Set the camwheel 1609 in play mode.

The distance between the arm H and the pick-up arm holder I shall be 1 mm at the point F. Bend the arm H at the point G, if the distance is smaller or greater than 1 mm.

Pick-up Height



Turn the eccentric K anticlockwise until its stop.

Set the counterbalance weight 0.5 gram below the point of balance.

Set the camwheel 1609 in stop position.

Take the pick-up arm in over the innermost elevated section on the platter (the point M).

Adjust the screw L until the distance between the pick-up stylus and platter is 9 mm.

Kontravægten stilles 0,5 g over balancepunktet.

Eksentrik K drejes med uret til afstanden mellem pick-upnål og pladetalderen er 6 mm.

Pick-uparm nedslag

Med eksentrik N justeres til korrekt 30 cm nedslag.

Med armen P justeres til korrekt 17 cm nedslag.

Set the counterbalance weight 0.5 gram above the point of balance.

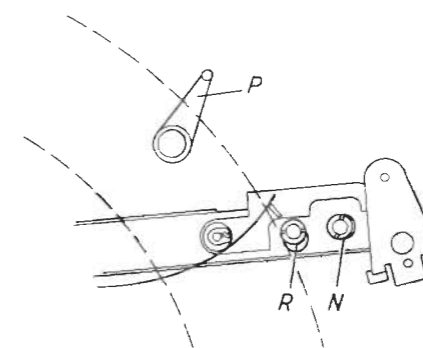
Turn the eccentric K clockwise until the distance between the pick-up stylus and turntable is 6 mm.

Pick-up Arm Touch-down



Adjust with eccentric N until correct 30 cm touch-down point.

Adjust with arm P until correct 17 cm touch-down point.



Pick-uparm stopposition

Hvis justeringen foretages med svingchassiset monteret i skumchassiset, skal det bemærkes at eksentrik R er delvis skjult af skumchassiset.

Eksentrik R drejes med uret til den viste position, og drejes derefter mod uret, indtil pick-uparmen i sin stop position er parallel med chassis siden. Stop positionen kontrolleres ved at køre pick-uparmen ind og ud ved hjælp af svingringen.

Pick-uparm balance

Kontravægten skrues ud eller ind til pickuparmen er i balance.

Kontravægten holdes fast, og skalaen nulstilles.

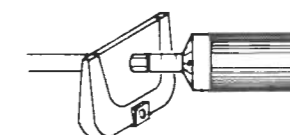
Kontravægten skrues højre om til skalaen viser det ønskede nåletryk (for MMC 5 1,5 g).

Pick-up Arm Stop Position

If the adjustment is made with the floating chassis fitted in the foam chassis, it should be noticed that the eccentric R is partly hidden by the foam chassis.

Turn eccentric R clockwise to the position shown, and then turn it anticlockwise until the pick-up arm in its stop position is parallel to the chassis side. Check the stop position by letting the pick-up arm travel in and out by means of the fly-wheel.

Pick-up Arm Balance

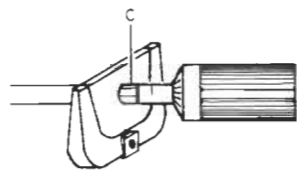


Turn the counterbalance weight in or out until the pick-up arm is in balance.

Hold the counterbalance weight firmly and zero the dial.

Turn the counterbalance weight clockwise until the required stylus pressure is indicated on the dial (for MMC5 - 1.5 gram).

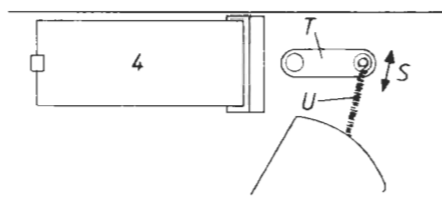
Pick-up parallelitet



Skruen C løsnes

Pickuparmen drejes til afstandene A og B er ens, og pick-up'ens plane stykke er parallel med pladens over-side.

Antiskating



Testplade 3621045 pålægges pladetalerkenen.

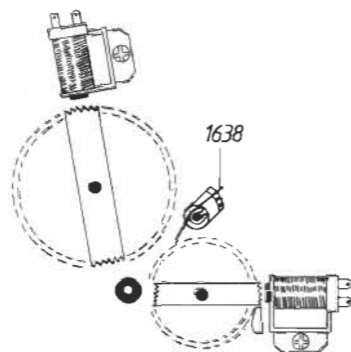
Nåletryk stilles til 1,5 gram med MMC 5.

Oscillokop tilsluttes højre og venstre kanal.

Skæring 1 afspilles.

Armen T skubbes i retning S, til forvrængningen er ens i begge kanaler (ved forvrængning i venstre kanal skal fjedren U slækkes, for højre kanal skal fjederen strammes).

Fjeder 1638



Fjeder 1638 skal altid monteres i hakket vist på skitsen.

Pick-up Arm Parallelism



Loosen screw C.

Turn the pick-up arm until the clearances A and B are equal and the straight section of the pick-up arm is parallel to the topside of the record.

Antiskating

Place the test record 3621045 on the platter.

Set stylus pressure to 1.5 gram with MMC5.

Connect an oscilloscope to the RH and LH channels.

Play cut 1.

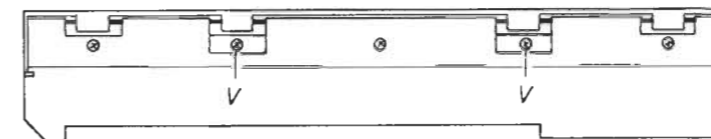
Push stud T in either direction of the arrow S until there is equal distortion in both channels (for LH channel distortion, slacken spring U, tighten for RH channel distortion).

Spring 1638

Always fit the spring 1638 in the notch as shown in the drawing.

Støvlåg

Dust Cover



Skruerne V justeres således at støvlåget ligger til toppladen ved lukning, og ved åbning skal støvlåget kunne holde sig selv åben i en vinkel af ca. 45° med toppladen.

Adjust the screws V until the dust cover is resting against the top plate when closed, and when opened it should remain open at an angle of approx. 45° with the top plate.

TECHNICAL SPECIFICATIONS

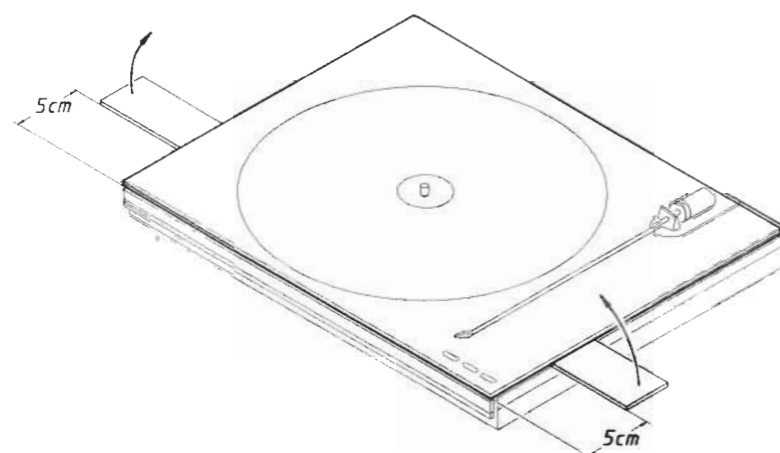
| | |
|------------------------|------------------|
| Wow and flutter, DIN | < ±0.07% |
| Wow and flutter, WRMS | < ±0.035% |
| Rumble weighted, DIN | > 75 dB |
| Rumble unweighted, DIN | > 55 dB |
| Speeds | 33/45 RPM |
| Speed deviation | < ±0.2% |
| Power supply | 190-265V/90-130V |
| Power Frequency | 50-60 Hz |
| Power consumption | < 10W |
| Dimensions W x H x D | 42 x 8 x 32.5 cm |
| Weight | 6 kg |

MMC5 Cartridge

| | |
|---------------------------------|--------------------|
| Recommended tracking force | 15 mN/1.5 g |
| Frequency range | 20-20,000 Hz ±3 dB |
| Channel separation 1000 Hz | > 20 dB |
| Channel separation 50-15,000 Hz | > 15 dB |
| Channel difference | < 2.5 dB |
| Stylus | Elliptical diamond |
| Cantilever | Straight alu-tube |
| Effective tip mass | 0.5 mg |
| Compliance | 20 µm/mN |
| Sensitivity mV/cm/s, RMS | > 0.6 mV |
| Output 5 cm lateral, RMS | > 2.12 mV |
| Cartridge weight | 1.6 g |

Subject to change without notice

Topplade, keyboard



Top Plate, Keyboard

En skarp og bred genstand presses ind mellem topplade og chassis ca. 5 cm fra forkanten. Toppladen kan nu vippes ud af snaplåsene.

A sharp and wide object is pressed between top plate and chassis, approx. 5 cm from the front edge. The top plate can now be tipped out of the spring catches.

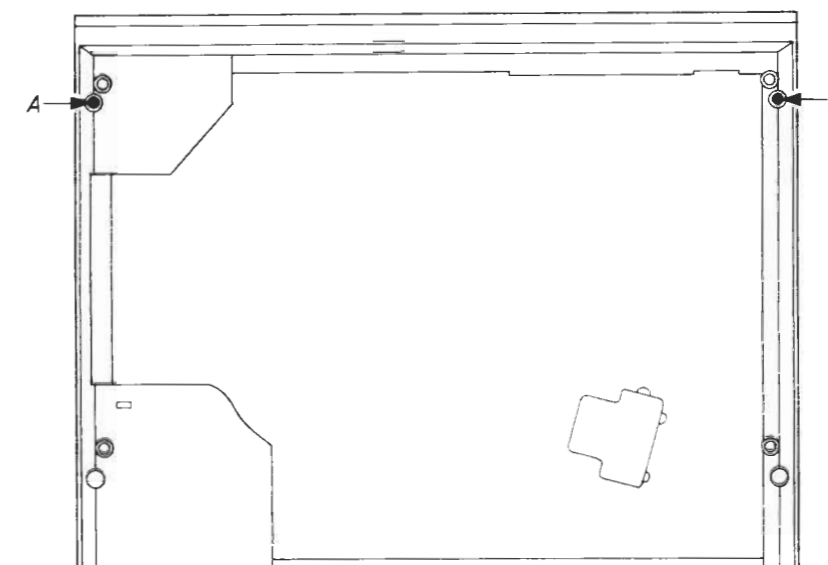
Toppladen løftes op i forkanten, stikket på keyboard ledningerne frigøres at styreprintet, PLAY-STOP kontakten tages op af skumchassiset, og toppladen trækkes fri af apparatet.

Lift the top plate at its front edge, remove the plug on the keyboard wires from the control PCB, remove the PLAY-STOP switch from the foam chassis, and pull the top plate away from the record player.

ADSKILLELSE

For at undgå beskadigelse af pick-up'en, bør denne aftages før adskillelse af apparatet.

Topplade, keyboard



Skruerne A aftages.

Toppladen løftes op i forkanten, stikket på keyboard ledningerne frigøres af styreprintet, PLAY-STOP kontakten tages op af skumchassiset, og toppladen trækkes fri af apparatet.

DISMANTLING

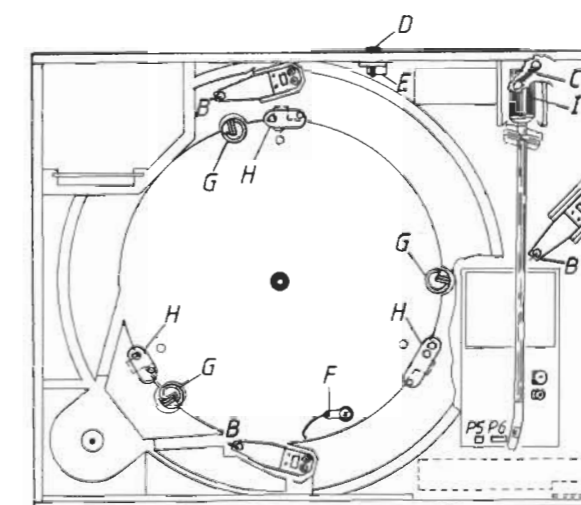
In order to safeguard against damage to the pick-up, always remove it prior to dismantling.

Top Plate, Keyboard

Remove the screws A.

Lift the top plate at its front edge, remove the plug on the keyboard wires from the control PCB, remove the PLAY-STOP switch from the foam chassis, and pull the top plate away from the record player.

Svingchassis



Fjedrene B aftages. NB! ved samling af apparatet skal hver fjeder placeres på den samme position som før adskillelse for at opnå korrekt ophæng.

Remove the springs B. Note: when re-assembling the record player, be sure to fit each spring in its original position to ensure correct suspension.

Fjeder C aftages.

Remove spring C.

Skruen D løsnes, og vinklen E drejes mod uret, således at signalledningen går løs.

Loosen the screw D, and turn the bracket E anticlockwise so that the signal wire becomes loose.

Stilledningen F afloddes.

De 3 stop G drejes 1/4 omdrejning med uret.

Rem og svingring aftages.

Aftag stikkene for motor (P6) og netdel (P5).

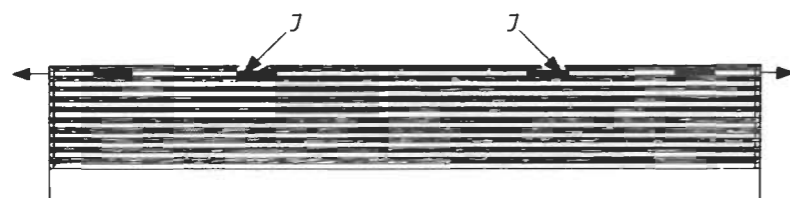
Drej de 3 arme H mod centrum.

Løft forsigtigt i skumchassisets forkant indtil skumchassiset rører kontravægten (i punktet I).

Skub forsigtigt skumchassiset bagud indtil løbeværket er frigjort af skumchassiset.

NB! Husk at montere fjeder C ved samling af apparatet.

Støvlåg



En skruetrækker placeres i slidserne J som vist på skitsen.

De 2 aksler, som holder støvlåget, kan nu bankes ca. 1 cm ud med en hammer. Akslerne trækkes helt ud med en flattang.

Unsolder the chassis wire F.

Turn the 3 stops G 1/4 turn clockwise.

Remove belt and fly-wheel.

Remove the sockets for motor (P6) and power supply (P5).

Turn the 3 arms H towards the centre.

With care, lift at the front edge of the foam chassis until it touches the counterbalance weight (at the point I).

With care, push the foam chassis backwards until the floating chassis is released from the foam chassis.

Note: Remember to fit spring C when re-assembling the record player.

Dust Cover

Place a screwdriver in the slots J as shown in the drawing.

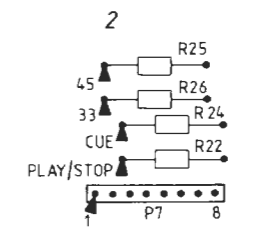
The 2 shafts which hold the dust cover, can now be hammered approx. 1 cm outwards. Remove the shafts completely by using a pair of flat nippers.

SERVICETIPS

Operation uden keyboard

SERVICE TIPS

Operation Without Keyboard



Under service kan apparatet betjenes uden at keyboard er monteret. Dette gøres ved at kortslutte P7 ben 1 til en modstand alt efter hvilken funktion der ønskes.

It is possible, during a service job, to **operate the record player** without having the keyboard fitted. This is done by short-circuiting pin 1 of P7 to a resistor, as required according to the function wanted.

Operation uden pladetallerken

Ved operation uden plade/pladetallerken skal det bemærkes at det store kurvehjul (pos. 1617) ikke kører helt tilbage i sin stop position.

Operation Without Platter

It should be noticed that when the record player is operated without a record/platter, the large camwheel (pos. 1617) will not return completely to its stop position.

ISOLATIONSTEST

Ethvert apparat **skal** isolationstestes efter det har været adskilt. Testen udføres når apparatet igen er helt samlet og klar til udlevering til kunden (med transportskruerne spændte).

Isolationstesten udføres på følgende måde:

De to stikben på netstikket kortsluttes og tilsluttes en af terminalerne på isolationstesteren.

Pladetallerkenen aftages.

Den anden terminal fra isolationstesteren tilsluttes den ene af de tre transportsikringskruer.

OBS!

For at undgå beskadigelser på apparatet er det vigtigt, at begge terminaler fra isolationstesteren har virkelig god mekanisk kontakt.

Der drejes nu langsomt med spændingsreguleringen på isolationstesteren til en spænding på 1,5 - 2 kV er opnået. Her skal den holdes i 1 sekund, derefter drejes der langsomt ned for spændingen igen.

Der må ikke på noget tidspunkt under testen forekomme overslag.

ISOLATIONSTEST

Ethvert apparat **skal** isolationstestes efter det har været adskilt. Testen udføres når apparatet igen er helt samlet og klar til udlevering til kunden (med transportskruerne spændte).

Isolationstesten udføres på følgende måde:

De to stikben på netstikket kortsluttes og tilsluttes en af terminalerne på isolationstesteren.

Den anden terminal fra isolationstesteren tilsluttes metallet af centerakselen på svingringen.

OBS!

For at undgå beskadigelser på apparatet er det vigtigt, at begge terminaler fra isolationstesteren har virkelig god mekanisk kontakt.

Der drejes nu langsomt med spændingsreguleringen på isolationstesteren til en spænding på 1,5 - 2 kV er opnået. Her skal den holdes i 1 sekund, derefter drejes der langsomt ned for spændingen igen.

Der må ikke på noget tidspunkt under testen forekomme overslag.

INSULATION TEST

Each record player **must** be insulation tested after having been dismantled. The test is to be made when the record player has been reassembled completely and is ready for delivery to the customer (with the transit screws tightened).

Make the insulation test as follows:

Short-circuited the two pins of the mains plug and connect one of the terminals to the insulation tester.

Remove the turntable.

Connect the other terminal of the insulation tester to one of the three transit screws.

NOTE!

To avoid ruining the record player it is essential that both insulation tester terminals are in really good mechanical contact.

Now slowly turn the voltage control of the insulation tester until a voltage of 1.5-2 kV is obtained. Hold it there for 1 second, then turn the **voltage** down again.

At no point during the testing procedure any flash-overs are permissible.

INSULATION TEST

Each record player **must** be insulation tested after having been dismantled. The test is to be made when the record player has been reassembled completely and is ready for delivery to the customer (with the transit screws tightened).

Make the insulation test as follows:

Short-circuit the two pins of the mains plug and connect one of the terminals to the insulation tester.

Connect the other terminal from the insulation tester to the metal part of the center shaft of the fly wheel.

NOTE!

To avoid ruining the record player it is essential that both insulation tester terminals are in really good mechanical contact.

Now slowly turn the voltage control of the insulation tester until a voltage of 1.5 - 2 kV is obtained. Hold it there for 1 second, then turn the voltage down again.

At no point during the testing procedure any flash-overs are permissible.



Beogram RX-2
Type 5831 - 5833 - 5835
Supplement for
Beogram 1800, 2000, 5000



Introduktion

Dette tillæg indeholder diagram og mekanisk samt elektrisk stykliste for Beogram RX-2, type 583X. Der gælder samme justeringsvejledning samt adskillellesvejledning for Beogram RX-2 som f.eks. for Beogram 1800.

Dette er samtidig et supplement til tidligere udsendte serviceanvisning til Beogram 1800, 2000, 5000.

På side 10-9 findes pakkeprocedure samt smøreskema.

På side 10-9 findes et rettelsseskema. Dette skema indeholder de ændringer der er indført i produktionen, samt fra hvilket apparatnummer ændringen er indført.

Introduction

This supplement includes diagram and mechanical as well as electrical parts list for Beogram RX-2, type 583X. Adjustment procedure as well as disassembly instructions for Beogram RX-2 are identical to those of e.g. Beogram 1800.

At the same time this is a supplement for previously issued service manual for Beogram 1800, 2000, 5000.

Page 10-9 contains packing procedure as well as lubrication chart.

Page 10-9 is a correction survey. This survey includes the modifications introduced in the production, as well as the serial nos as from which the modifications were made.

Introduktion

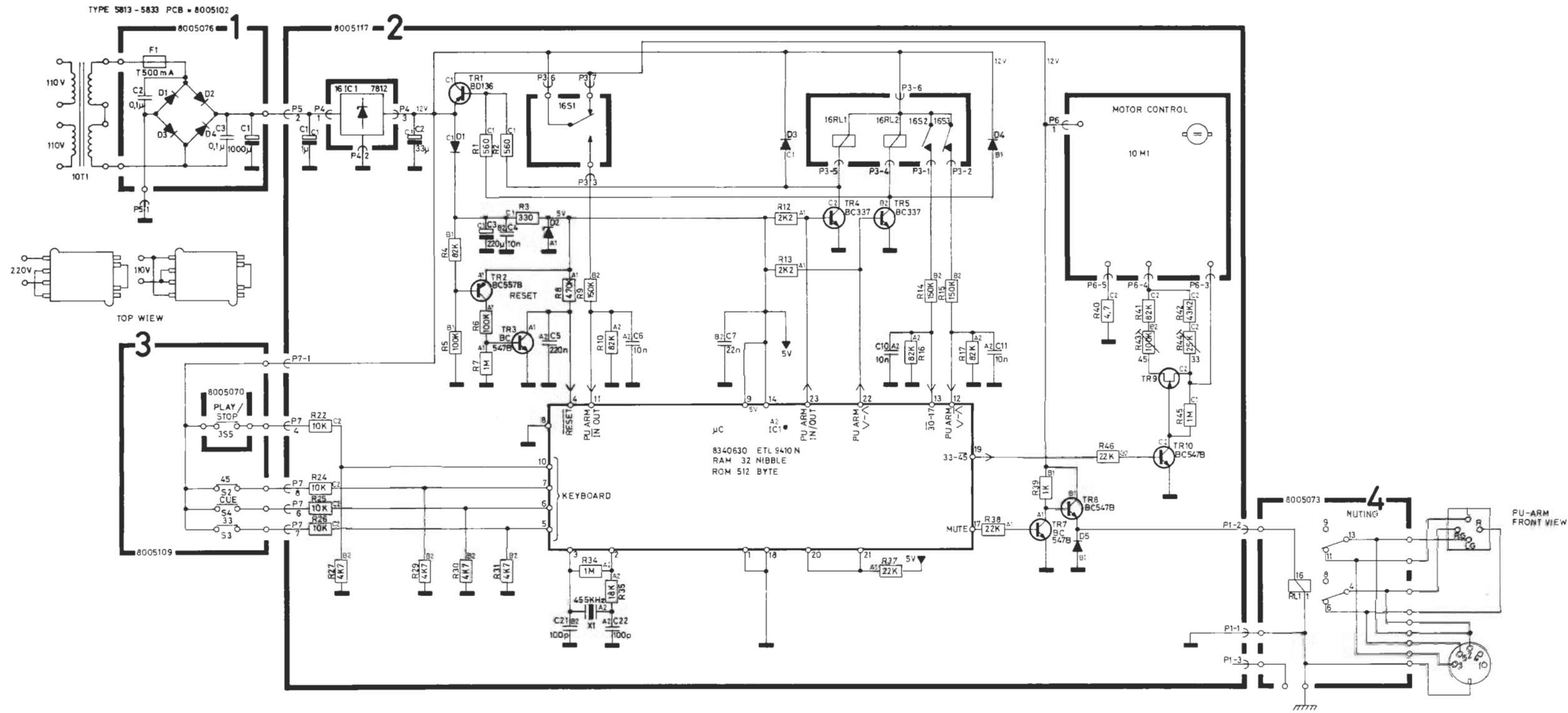
Dieser Nachtrag enthält Diagramm sowie mechanische und elektrische Stückliste für Beogram RX-2, Typ 583X. Justieranleitung sowie Zerlegungsanleitung für Beogram RX-2 sind identisch mit denen von z.B. Beogram 1800.

Dieser Nachtrag ist gleichzeitig ein Supplement zur früheren ausgesandten Serviceanleitung für Beogram 1800, 2000, 5000.

Seite 10-9 des Nachtrags enthält Verpackungsanweisung sowie Schmierplan.

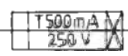
Seite 10-9 ist eine Korrektionsübersicht. Diese Übersicht enthält die Änderungen die in der Produktion eingeführt worden sind, sowie die Gerätenr. von denen sie eingeführt wurden.

BEOGRAM RX-2, type 583X



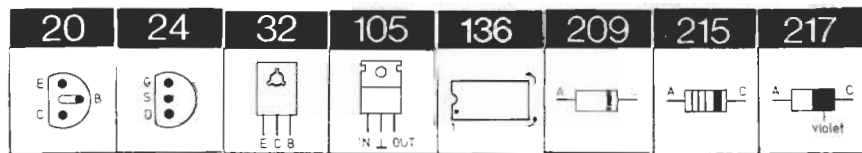
| | ACTIVATE | PLAY-STOP | | CUE | CUE | PLAY-STOP | | | CUE | CUE | RUN OFF STOP | | |
|----------------------|--------------------------|--------------------------------------------------|---------|------------|------------|-----------|------------|-----------|---------|------------|--------------|------|--|
| | 17cm record on turntable | PU in | PU down | Playing up | Pause down | PU out | Playing up | Slap (in) | PU down | Playing up | PU out | Slap | |
| | | 27-3sec | 8sec | 1sec | 1sec | 1.8sec | 2.7sec | 27-3sec | 8sec | 10sec | 2.7sec | | |
| PU arm in/out output | PIN 23 (16RL1) | [Timing diagram showing a pulse for activation] | | | | | | | | | | | |
| 30/17 cm. input | PIN 13 (16S2) | [Timing diagram showing a pulse for 30cm record] | | | | | | | | | | | |
| PU arm in/out input | PIN 11 (16S1) | [Timing diagram showing a pulse for PU arm in] | | | | | | | | | | | |
| Lift/lower output | PIN 22 (16RL2) | [Timing diagram showing a pulse for lift/lower] | | | | | | | | | | | |
| Lift/lower input | PIN 12 (16S3) | [Timing diagram showing a pulse for lift/lower] | | | | | | | | | | | |

* PIN 13 is constant low with 30 cm. record

Explanation of the fuse symbols used in the set:
 Replace with same type 500 mA-250 V Slow acting fuse.

| | | | |
|--------|----|----|----|
| GND | 1 | 24 | 00 |
| CK1 | 2 | 23 | 01 |
| RESET | 3 | 22 | 02 |
| L7 | 4 | 21 | 03 |
| 59410N | 5 | 20 | 04 |
| 1.5 | 6 | 19 | 05 |
| 1.5 | 7 | 18 | 06 |
| 1.5 | 8 | 17 | 07 |
| 1.5 | 9 | 16 | 08 |
| 1.5 | 10 | 15 | 09 |
| 1.5 | 11 | 14 | 10 |
| 1.5 | 12 | 13 | 11 |

SEMI - CONDUCTORS.



Transistors

| | | | | | |
|--------|------------|--------------|--------|------------|----------|
| 2TR1 | 8320240*32 | BD 136/W | 2TR6-8 | 8320097 20 | BC 547B |
| 2TR2 | 8320152 20 | BC 557B | 2TR9 | 8320396*24 | MPF 4392 |
| 2TR3 | 8320097 20 | BC 547B | | 24 | 2N 5630 |
| 2TR4-5 | 8320295 20 | BC 337-25/18 | | 24 | 2N 4392 |
| 2TR10 | 8320097 20 | BC 547B | | | |

IC's

| | | | | | |
|------|-------------|-----------|-------|-------------|------------|
| 2IC1 | 8340630 136 | ETL 9410N | 16IC1 | 8340049 105 | 7812C |
| | | | | 105 | LM 340T-12 |
| | | | | 105 | uA 7812Cu |
| | | | | 105 | MC 7812 |

Diodes.

| | | | | | |
|--------|-------------|-------------|--------|-------------|----------|
| 1D1-D4 | 8300023 209 | 1N4002 | 2D3-D7 | 8300058 209 | 1N4148 |
| | 209 | 1N4003 | | 217 | SFD 184 |
| | | | | 215 | 1N4148 |
| 2D1 | 8300058 209 | 1N4148 | 3D1 | 8330074 | V 330 PA |
| | 217 | SFD 184 | | | LED red |
| | 215 | 1N4148 | | | |
| 2D2 | 8300169 209 | ZPV 5V1 | | | |
| | 209 | BZX 79 C5V1 | | | |
| | 209 | BZX 83 C5V1 | | | |

- * Speciel udvalgt eller bearbejdet eksemplar.
- * Specially selected or adapted sample.
- * Speziell ausgewähltes und bearbeitetes Exemplar.

LIST OF ELECTRICAL PARTS.

Resistors not mentioned are standard 5% 1/4W.

Power Supply, 8005076-PCB 1.

| | | | | | |
|----|---------|----------------|----|---------|----------------------|
| C1 | 4200388 | 1000 µF 35V | F1 | 6600024 | 500 mA - Slow |
| C2 | 4130224 | 100 nF 10% 63V | | 6600033 | 500 mA - Slow (5833) |
| C3 | 4130224 | 100 nF 10% 63V | | | |

Control Circuit 8005117-PCB 2.

| | | | | | |
|-----|---------|-----------------|-----|---------|------------|
| R40 | 5020501 | 4.7 Ω 5% 1W | R43 | 5370128 | 100 kΩ 20% |
| R42 | 5020132 | 43.2 kΩ 1% 1/4W | R44 | 5370068 | 25 kΩ 20% |

| | | | | | |
|----|---------|------------------|-----|---------|-------------------|
| C1 | 4200512 | 1 µF 50V | C7 | 4010107 | 22 nF 20+100% 40V |
| C2 | 4200551 | 33 µF 16V | C10 | 4010106 | 10 nF 20+80% 40V |
| C3 | 4200396 | 220 µF 16V | C11 | 4010106 | 10 nF 20+80% 40V |
| C4 | 4010106 | 10 nF 20+80% 40V | C21 | 4000139 | 100 pF 5% 63V |
| C5 | 4130233 | 0.22 µF 20% 63V | C22 | 4000139 | 100 pF 5% 63V |
| C6 | 4010106 | 10 nF 20+80% 40V | | | |

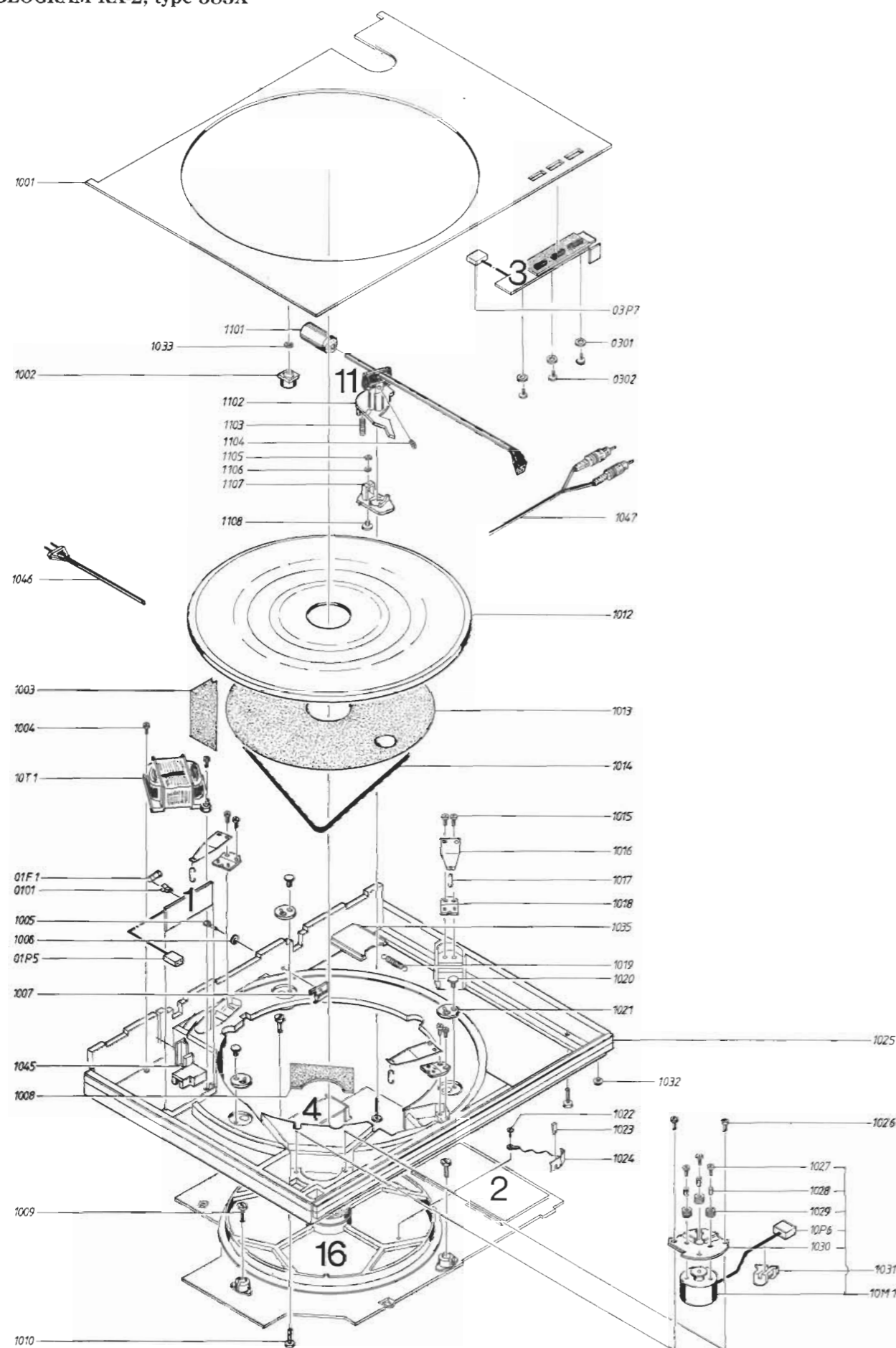
| | | | | | |
|----|---------|---------------|----|---------|---------------|
| P1 | 7220285 | Plug 3 pins | P5 | 7220279 | Plug 2 pins |
| P3 | 7220286 | Plug 7 pins | P6 | 7220114 | Plug 5/4 pins |
| P4 | 7210020 | Socket 3 pins | P7 | 7220130 | Plug 8/7 pins |

| | | |
|----|---------|----------------|
| X1 | 8030024 | 455 kHz ± 1kHz |
|----|---------|----------------|

Muting-PCB 4.

| | | |
|-----|---------|-----------|
| RL1 | 7600059 | Relay 12V |
|-----|---------|-----------|

BEOGRAM RX-2, type 583X



MEKANISK STYKLISTE

MECHANICAL PARTS LIST

MECHANISCHE STÜCKLISTE

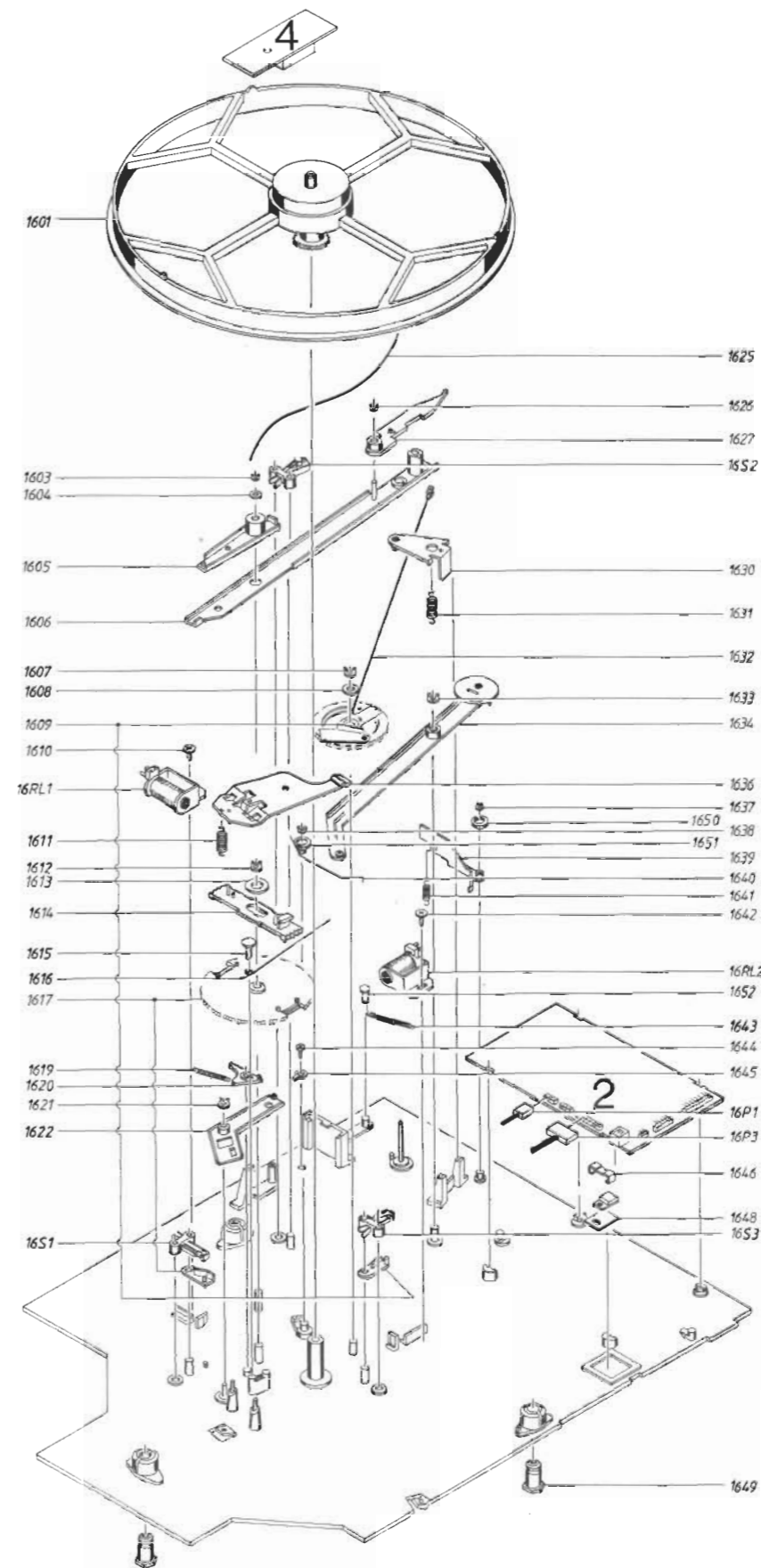
| | | | | |
|---------|---------|-------------------------------|-----------------------------------|----------------------------------|
| 01Modul | 8005076 | Netdel | Power supply | Netzteil |
| 0101 | 7500002 | Holder f. sikring | Holder f. fuse | Halter f. Sicherung |
| 01F1 | 6600024 | Sikring 500 mA-træg (5831/35) | Slow action fuse 500 mA (5831/35) | Sicherung 500 mA träge (5831/35) |
| | 6600033 | Sikring 500 mA-træg (5833) | Slow action fuse 500 mA (5833) | Sicherung 500 mA träge (5833) |
| 01P5 | 6274039 | Ledning med stik | Cable with plug | Leitung mit Stecker |
| 03Modul | 2776023 | Knapsæt med PCB | Set of buttons with PCB | Knopfsæt mit PCB |
| 0301 | 2622015 | Skive 3.2 | Washer 3.2 | Scheibe 3.2 |
| 0302 | 2013098 | Skrue 2,9x4,5 | Screw 2.9x4.5 | Schraube 2,9x4,5 |
| 03P7 | 6274493 | Ledning med stik | Cable with plug | Leitung mit Stecker |
| 1001 | 3458394 | Topplade | Top plate | Topplatte |
| 1002 | 3152352 | Låsestykke | Locking piece | Verrigelingsstück |
| 1003 | 3300106 | Isolationsstykke | Insulation piece | Isolationsstück |
| 1004 | 2015110 | Skrue 3,5x13 sort | Screw AM 3.5x13 black | Schraube AM 3,5x13 schwarz |
| 1005 | 2038087 | Skrue AM 3x16 sort | Screw AM 3x16 black | Schraube AM 3x16 schwarz |
| 1006 | 2622015 | Skive 3.2 | Washer 3.2 | Scheibe 3,2 |
| 1007 | 2510143 | Spændestykke | Clamp | Spannstück |
| 1008 | 3170209 | Isolationstykke | Piece of insulation | Isolierstück |
| 1009 | 2042216 | Skrue AM 4x16 | Screw AM 4x16 | Schraube AM 4x16 |
| 1010 | 2043900 | Skrue AM 4x20 | Screw AM 4x20 | Schraube AM 4x20 |
| 1012 | 2726134 | Pladetallerken | Platter | Plattenteller |
| 1013 | 2622359 | Dækskive | Cover plate | Abdeckscheibe |
| 1014 | 2732057 | Rem | Belt | Riemen |
| 1015 | 2015106 | Skrue 3,5x10 sort | Screw AM 3.5x10 black | Schraube AM 3,5x10 schwarz |
| 1016 | 2815015 | Bladfeder | Leaf spring | Blattfeder |
| 1017 | 2514035 | Krog f. ophængning | Hook for suspension | Haken für Aufhängung |
| 1018 | 2510141 | Spændestykke | Clamp | Spannstück |
| 1019 | 2810140 | Fjeder | Spring | Feder |
| 1020 | 2311019 | Plastnitte | Plastic rivet | Plastniet |
| 1021 | 2622337 | Skive | Washer | Scheibe |
| 1022 | 2013014 | Skrue 2,9x4,5 sort | Screw 2.9x4.5 black | Schraube 2,9x4,5 schwarz |
| 1023 | 2500013 | Kile | Wedge | Keile |
| 1024 | 6274102 | Stelforbindelse | Earth connection | Masseverbindung |
| 1025 | 3414360 | Kabinet grå metalic | Cabinet grey metallic | Gehäuse grau metallisch |
| | 2560177 | Fronskinne | Front rail | Frontschiene |
| 1026 | 2015106 | Skrue 3,5x10 sort | Screw AM 3.5x10 black | Schraube AM 3,5x10 schwarz |
| 1027 | 2036016 | Skrue AM 2,6x6 | Screw AM 2.6x6 | Schraube AM 2,6x6 |
| 1028 | 2930074 | Afstandsror | Spacer | Distanzrohr |
| 1029 | 2938137 | Gummibøsning | Rubber bushing | Gummibuchse |
| 1030 | 3124087 | Holder | Holder | Halter |
| 1031 | 2938197 | Gummibøsning | Rubber bushing | Gummibuchse |
| 1032 | 3035026 | Glidesko | Plastic foot | Gleitschützer |
| 1033 | 2380016 | Møtrik M4 | Nut M4 | Mutter M4 |
| 1035 | 3458270 | Plade | Plate | Platte |
| 1045 | 2550017 | Plastbøjle (5831/33) | Plastic clamp (5831/33) | Plastkbugel (5831/33) |
| 1046 | 6271102 | Netledning 5831 | Mains cable 5831 | Netzleitung 5831 |
| | 6100012 | Netledning 5833 | Mains cable 5833 | Netzleitung 5833 |
| | 6271091 | Netledning 5835 | Mains cable 5835 | Netzleitung 5835 |
| 1047 | 6270254 | Signalledning | Signal cable | Signalleitung |
| 10M1 | 8400110 | Motor | Motor | Motor |
| 10P6 | 6274040 | Ledning m. stik | Cable with plug | Leitung m. Stecker |
| 10T1 | 8013274 | Nettransformator | Mains transformer | Netztransformator |
| 11Modul | 2850126 | Pickup arm kompl. | Tone arm complete | Tonarm kompl. |
| 1101 | 3342083 | Kontravægt | Counter weight | Gegengewicht |
| 1102 | 2905101 | Leje f. pickup arm | Bearing for tone arm | Lager für Tonarm |
| 1103 | 2812094 | Fjeder | Spring | Feder |
| 1104 | 2070034 | Gevindstift M 3x6 | Threaded pin M 3x6 | Gewindestift M 3x6 |
| 1105 | 2390088 | Sægering 3 | Circlip 3 | Sicherungsring 3 |
| 1106 | 2624007 | Fjederskive 3.2 | Spring washer 3.2 | Federscheibe 3.2 |
| 1107 | 2627011 | Holder | Holder | Halter |
| 1108 | 2627012 | Justertap | Adjustment tap | Justierzapfen |

Svingchassis

Floating chassis

Schwungchassis

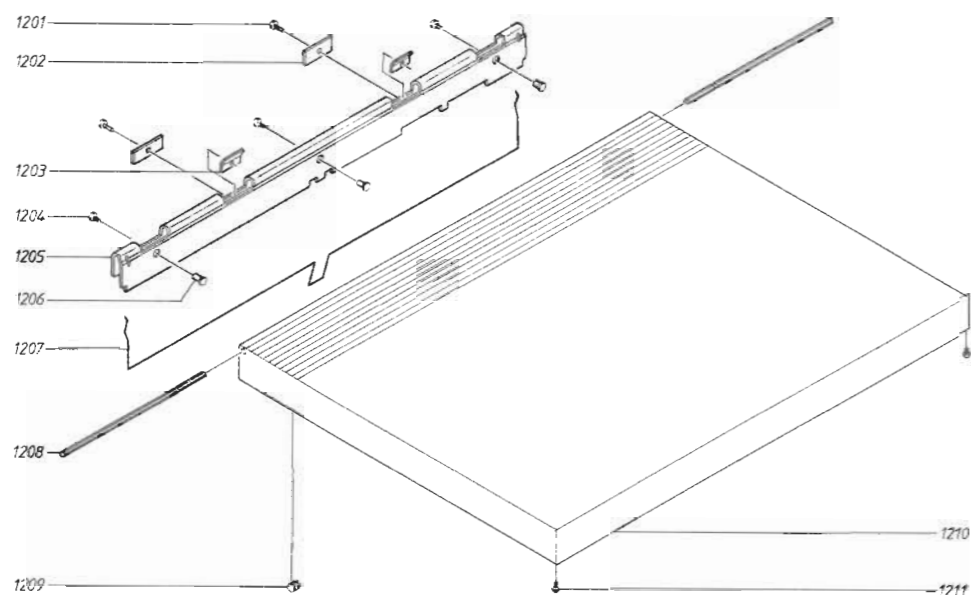
| 02Modul | 8005117 | Styrekredslob | Control circuit | Steuerungsschaltung |
|---------|---------|----------------------|------------------------|--------------------------|
| 04Modul | 6140892 | Printkort/Muting | Print chart/muting | Printkarte/Muting |
| 1601 | 2794092 | Svingring | Flywheel | Schwungring |
| 1603 | 2390088 | Seegerring 3 | Circlip 3 | Sicherungsring 3 |
| 1604 | 2622338 | Skive 4,1 | Washer 4.1 | Scheibe 4.1 |
| 1605 | 2854084 | Arm | Arm | Arm |
| 1606 | 2853093 | Arm | Arm | Arm |
| | 3947139 | Isolationstykke | Insulation piece | Isolierstück |
| 1607 | 2390006 | Seegerring 4 | Circlip 4 | Sicherungsring 4 |
| 1608 | 2622388 | Skive 4.1 | Washer 4.1 | Scheibe 4.1 |
| 1609 | 3017021 | Kurvehjul | Camwheel | Kurvenrad |
| 1610 | 2013098 | Skrue 2,9x4,5 sort | Screw 2.9x4.5 black | Schraube 2,9x4,5 schwarz |
| 1611 | 2810132 | Fjeder | Spring | Feder |
| 1612 | 2390000 | Seegerring 4 | Circlip 4 | Sicherungsring 4 |
| 1613 | 2622024 | Skive 4.3 | Washer 4.3 | Scheibe 4.3 |
| 1614 | 2700027 | Tandsektion | Tooth section | Zahnsektion |
| 1615 | 2364044 | Nitte | Rivet | Niet |
| 1616 | 2819162 | Fjeder | Spring | Feder |
| 1617 | 3017022 | Kurvehjul | Camwheel | Kurvenrad |
| 1619 | 2810138 | Fjeder | Spring | Feder |
| 1620 | 3010019 | Arm | Arm | Arm |
| 1621 | 2390088 | Seegerring 3 | Circlip 3 | Sicherungsring 3 |
| 1622 | 2854086 | Arm | Arm | Arm |
| 1625 | 2819161 | Fjeder | Spring | Feder |
| 1626 | 2390088 | Seegerring 3 | Circlip 3 | Sicherungsring 3 |
| 1627 | 2854088 | Arm | Arm | Arm |
| 1630 | 2542612 | Vippearm | Tilting lever | Kipphebel |
| 1631 | 2810133 | Fjeder | Spring | Feder |
| 1632 | 2570067 | Stang samlet | Rod complete | Stange kompl. |
| 1633 | 2390006 | Seegerring 4 | Circlip 4 | Sicherungsring 4 |
| 1634 | 2852044 | Arm | Arm | Arm |
| 1636 | 2854085 | Vippearm | Tilting lever | Kipphebel |
| 1637 | 2390088 | Seegerring 3 | Circlip 3 | Sicherungsring 3 |
| 1638 | 2390088 | Seegerring 3 | Circlip 3 | Sicherungsring 3 |
| 1639 | 2542609 | Arm | Arm | Arm |
| 1640 | 2819163 | Fjeder | Spring | Feder |
| 1641 | 2810090 | Fjeder | Spring | Feder |
| 1642 | 2013098 | Skrue 2,9x4,5 sort | Screw 2.9x4.5 black | Schraube 2,9x4,5 schwarz |
| 1643 | 2810139 | Fjeder | Spring | Feder |
| 1644 | 2013098 | Skrue 2,9x4,5 sort | Screw 2.9x4.5 black | Schraube 2,9x4,5 schwarz |
| 1645 | 7530005 | Loddeflig | Soldering tag | Lötflanke |
| 1646 | 2393043 | Bronzefjeder | Bronze spring | Bronzefeder |
| 1648 | 3170169 | Glimmerskive | Mica sheet | Glimmerscheibe |
| 1649 | 2380128 | Gewindbøsning | Threaded bushing | Gewindebuchse |
| 1650 | 2624007 | Skive 3,2 | Washer 3.2 | Scheibe 3.2 |
| 1651 | 2622041 | Skive 3,2 | Washer 3.2 | Scheibe 3.2 |
| 1652 | 2364044 | Nitte | Rivet | Niet |
| 16P1 | 6275491 | Ledningssæt | Set of wires | Leitungssatz |
| 16P3 | 6275491 | Ledningssæt | Set of wires | Leitungssatz |
| 16RL1 | 8020412 | Sugespole start/stop | Magnet coil start/stop | Saugspule Start/Stop |
| 16RL2 | 8020412 | Sugespole lower/lift | Magnet coil lower/lift | Saugspule Lower/Lift |
| 16S1 | 7402081 | Microomskifter | Micro switch | Microumschalter |
| 16S2 | 7402081 | Microomskifter | Micro switch | Microumschalter |
| 16S3 | 7402081 | Microomskifter | Micro switch | Microumschalter |



Støvlåg

Dust cover

Abdeckhaube



| | | | | |
|------|---------|-------------------|--------------------|-------------------------|
| 1201 | 2039028 | Skrue AM 3x8 sort | Screw AM 3x8 black | Schraube AM 3x8 schwarz |
| 1202 | 2628006 | Fjeder | Spring | Feder |
| 1203 | 2642025 | Friktionsstykke | Friction piece | Friktionsstück |
| 1204 | 2043007 | Skrue AM 4x6 sort | Screw AM 4x6 black | Schraube AM 4x6 schwarz |
| 1205 | 3030069 | Hængsel | Hinge | Scharnier |
| 1206 | 2384008 | Gevindbøsning | Treaded bushing | Gewindebuchse |
| 1207 | 2819191 | Torsionsfjeder | Torsion spring | Torsionsfeder |
| 1208 | 2830104 | Aksei | Shaft | Achse |
| 1209 | 2794097 | Rulle | Roller | Rolle |
| 1210 | 3164490 | Støvlåg | Dust cover | Abdeckhaube |
| 1211 | 3010007 | Stop | Stop | Anschlag |

Ikke viste dele

Parts not shown

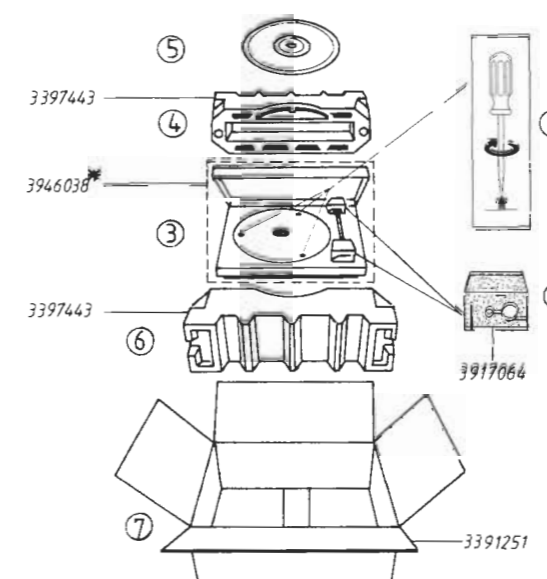
Nicht gezeigte Teile

| | | | |
|---------|--------------------|--------------------|------------------------|
| 3397443 | Skumemballage, sæt | Foam packing, set | Schaumverpackung, Satz |
| 3391251 | Yderæske | Outer carton | Aussenkarton |
| 3390261 | Pose f. støvlåg | Bag for dust cover | Beutel f. Abdeckhaube |
| 3917064 | Skumplast klods | Foam block | Schaumklötz |

PAKKE PROCEDURE

PACKING PROCEDURE

VERPACKUNGSANWEISUNG



* Folie 3946038 leveres i metermål

* Folie 3946038 is sold by the metre

* Folie 3946038 wird in Meter geliefert

Smøreskema

Lubrication Chart

Schmierplan

Behovet for eftersmøring er minimalt. Ved større eftersyn og ved udskiftning af mekaniske dele bør nedenstående retningslinier følges. NB! Smøremidlet bør kun påføres i lille mængde.

The need for relubrication is negligible. In the case of overhauls and when replacing mechanical parts the directions below should be followed. NB! The lubricant should only be applied in small quantities.

Der nachträgliche Schmierbedarf ist minimal. Bei grösseren Inspektionen und beim Austausch von mechanischen Teilen sollten die nachstehenden Richtlinien befolgt werden. WICHTIG! Das Schmiermittel darf nur in geringer Menge aufgetragen werden.

| Smørested | Point of lubrication | Schmierstelle | Smøremiddel/ Lubricant/ Schmiermittel |
|----------------------------------------------------------------------------------------------------------------------------------------------------------------------------------------------------------------------------------|---------------------------------------------------------------------------------------------------------------------------------------------------------------------------------------------------------------------------------------------------|-------------------------------------------------------------------------------------------------------------------------------------------------------------------------------------------------------------------------------|---------------------------------------------|
| Swingchassis: Påføres tappe for fastgørelse af kurvehjul pos. 1609 og pos. 1617. Støbning for glideflade mod tap på arm pos. 1606. Glideflade mod holder pos. 1107. Aksei for fastgørelse af pickup arm: Påføres spids af aksei. | Floating chassis: Apply to taps for fastening of camwheels pos. 1609 and pos. 1617. Moulding for sliding surface towards tap for arm pos. 1606. Sliding surface towards holder pos. 1107. Shaft for fastening of tone arm: Apply to tip of shaft. | Schwungchassis: Befestigungszapfen für Kurvenräder Pos. 1609 und Pos. 1617. Gusstelle für Gleitfläche gegen Zapfen auf Arm Pos. 1606. Gleitfläche gegen Halter Pos. 1107. Achse zur Befestigung von Tonarm: Spitze der Achse. | 3984030 Barrierta L55/2 (25 gr) |
| Bronzeplade på kurvehjul pos. 1609: Glideflade mod underlag. | Bronze plate of camwheel pos. 1609: Sliding surface towards base. | Bronzeplatte auf Kurvenrad Pos. 1609: Gleitfläche gegen Unterlage. | Barrierta IS Fluid |
| Holder pos. 1107: Glideflade mod vippearm pos. 1630. | Holder pos. 1107: Sliding surface towards tilting lever pos. 1630. | Halter Pos. 1107: Gleitfläche gegen Kipphebel Pos. 1630. | Kilopoise 1016S |
| Svingring pos. 1601: Påføres aksei. | Fly wheel pos. 1601: Apply to shaft. | Schwungring Pos. 1601: Achse | 3984008 M4 olie/oil/Öl |

RETTELSESSKEMA, Beogram 1800, 2000, 5000
 CORRECTION SURVEY, Beogram 1800, 2000, 5000
 KORREKTIONSÜBERSICHT, Beogram 1800; 2000, 5000

| POS.NO | BEFORE | AFTER | DK | GB | D | SET NO. |
|--------|---------|---------|----------------------------|------------------------------|-----------------------------|---------|
| 2IC1 | 8340455 | 8340630 | ETL 9410N | ETL 9410N | ETL 9410 N | 3049001 |
| 2R35 | 5010040 | 5010135 | 18kΩ 5% 1/4W | 18kΩ 5% 1/4W | 18kΩ 5% 1/4 W | 3062001 |
| 2C2 | | 4130224 | 100nF 10% 63V | 100nF 10% 63V | 100nF 10% 63V | 2920001 |
| 2C3 | | 4130224 | 100nF 10% 63V | 100nF 10% 63V | 100nF 10% 63V | 2920001 |
| 1001 | 3458275 | 3458320 | Topplade 580x med 03 modul | Top plate 580x with 03 Modul | Topplatte 580x mit 03 Modul | all |
| | 3458435 | 3458392 | Topplade 581x med 03 modul | Top plate 581x with 03 Modul | Topplatte 581x mit 03 Modul | all |
| | 3458314 | 3458391 | Topplade 582x med 03 modul | Top plate 582x with 03 Modul | Topplatte 582x mit 03 Modul | all |
| 1003 | 3172091 | 3300106 | Isolationsstykke | Insulation price | Insolationsstück | 3392001 |
| 1004 | 2043011 | 2015110 | Skrue 3,5x12 | Screw 3.5x13 | Schraube 3,5x13 | 3040001 |
| 1013 | 2622346 | 2622359 | Dækskive | Cover plate | Abdeckscheibe | 2863001 |
| 1015 | 2039027 | 2015106 | Skrue AM3,5x10 | Screw AM3.5x10 | Schraube AM3,5x10 | 3040001 |
| 1018 | 2810141 | 2510141 | Spændestykke | Clamp | Spannstück | all |
| 1023 | 2510013 | 2500013 | Kile | Wedge | Keile | all |
| 1026 | 2039027 | 2515106 | Skrue AM3,5x10 | Screw AM3.5x10 | Schraube AM3,5x10 | 3040001 |
| 1035 | | 3458270 | Plade | Plate | Platte | all |
| 1045 | | 2550017 | Plastbøjle | Plastic clamp | Plastikbügel | 3089001 |
| 1046 | | 6271102 | Netledning EU | Mains cable EU | Netzleitung EU | all |
| | | 6100012 | Netledning US | Mains cable US | Netzleitung US | all |
| | | 6271091 | Netledning AUS | Mains cable AUS | Netzleitung AUS | all |
| 1047 | | 6270254 | Signalledning | Signal cable | Signalleitung | all |
| 1048 | | 2622015 | Skive 3,2 | Washer 3.2 | Scheibe 3.2 | 2872001 |
| 1049 | | 2013098 | Skrue 2,9x4,5 | Screw 2.9x4.5 | Schraube 2,9x4,5 | 2872001 |
| 1615 | 2390088 | 2364044 | Nitte | Rivet | Niet | 2945001 |
| 1618 | 2950096 | | Bøsning | Bushing | Buchse | 2970001 |
| 1635 | 2950098 | | Bøsning | Bushing | Buchse | 2970001 |
| 1642 | 2013080 | 2013098 | Skrue 2,9x4,5 | Screw 2.9x4.5 | Schraube 2,9x4,5 | all |
| 1644 | 2013080 | 2013098 | Skrue 2,9x4,5 | Screw 2.9x4.5 | Schraube 2,9x4,5 | all |
| 1650 | | 2624007 | Skive 3,2 | Washer 3.2 | Scheibe 3.2 | 3040001 |
| 1651 | | 2622041 | Skive 3,2 | Washer 3.2 | Scheibe 3.2 | 3040001 |
| 1652 | | 2364044 | Nitte | Rivet | Niet | 2945001 |
| 1203 | 2624025 | 2642025 | Friktionsplade | Friction piece | Friktionsstück | all |