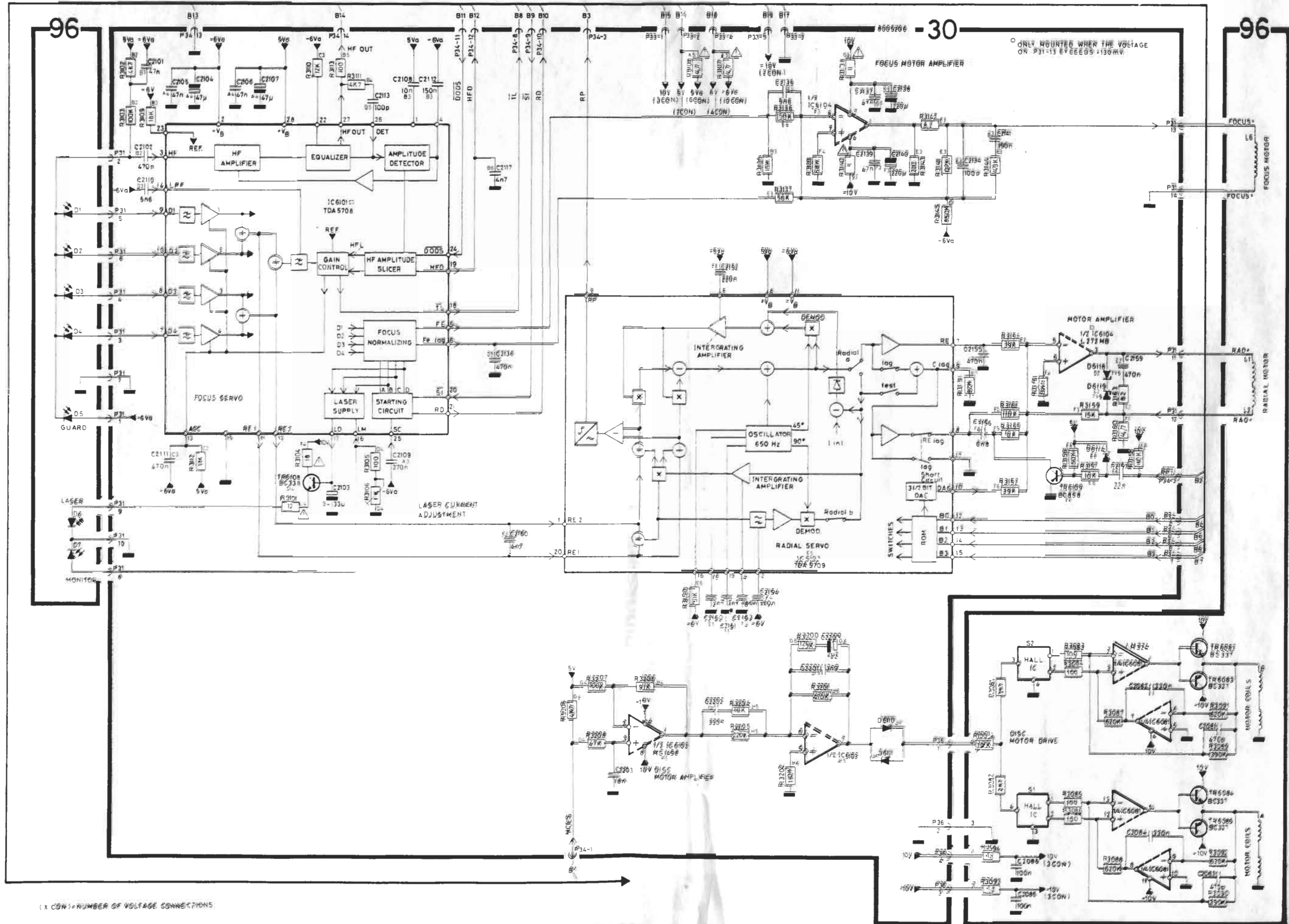


DIAGRAM A (Servo and Disc Motor System)



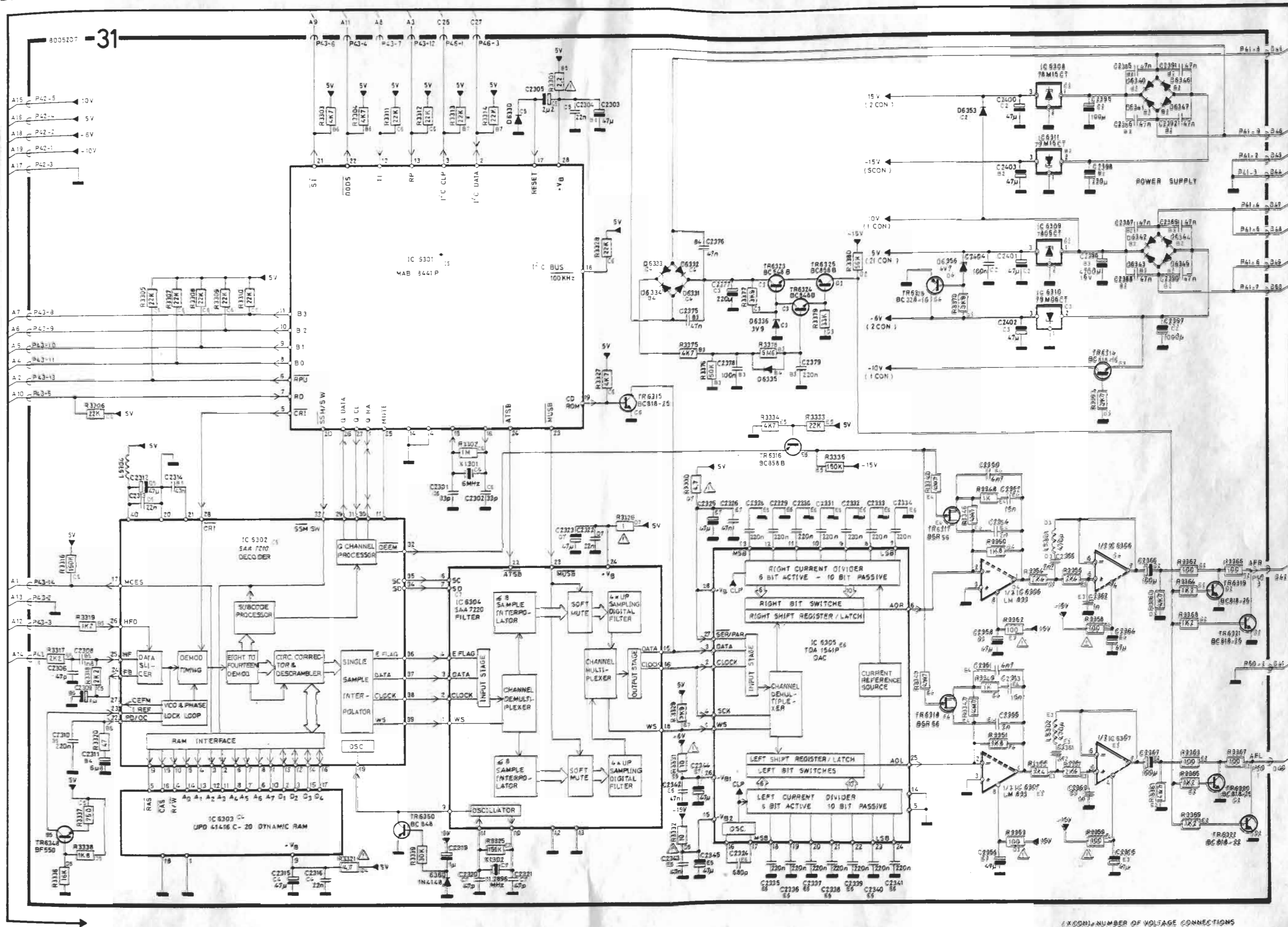
SERVO PCB

RADIAL MOTOR
FOCUS MOTOR

DISC MOTOR COIL

(X CON) = NUMBER OF VOLTAGE CONNECTIONS

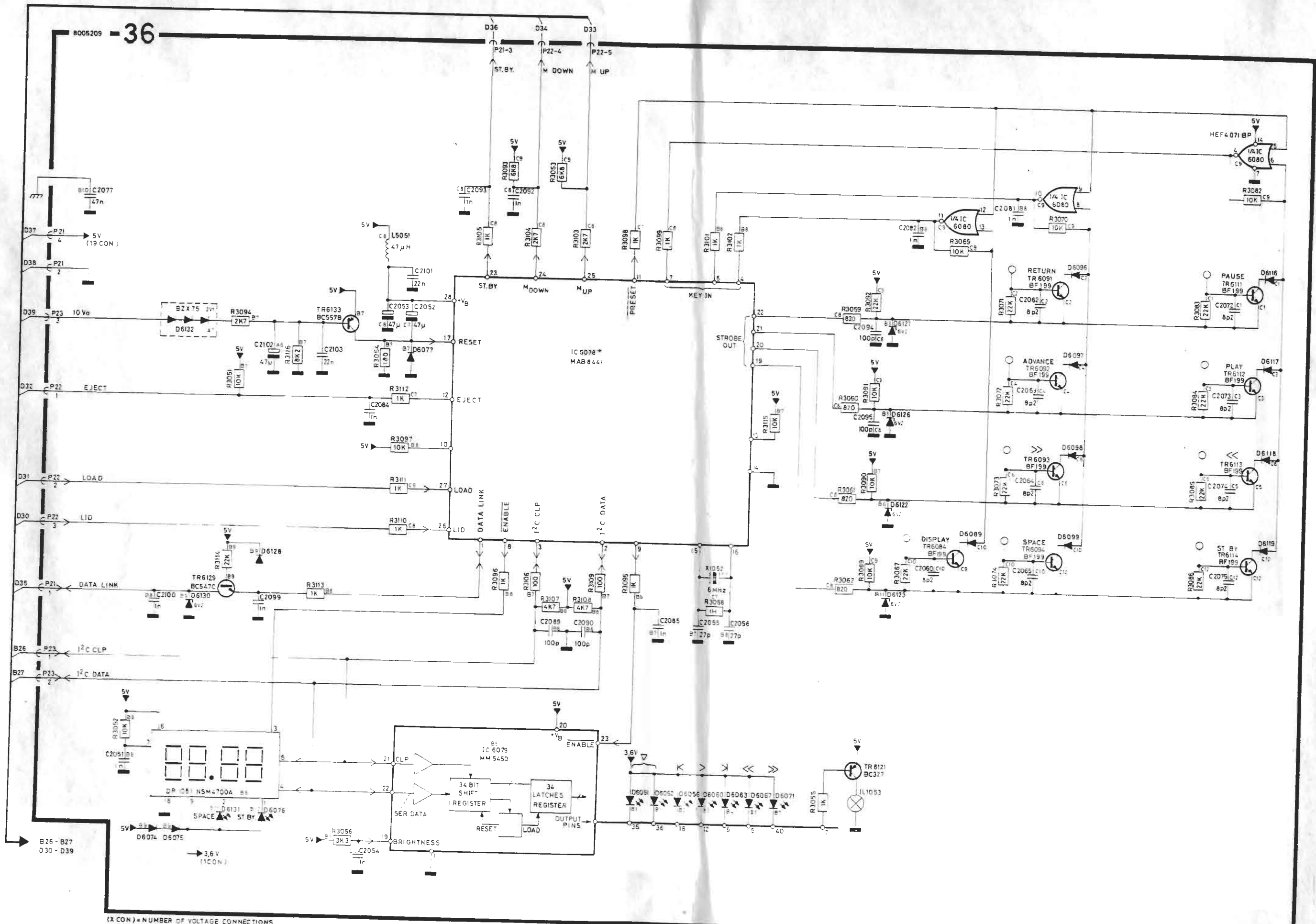
DIAGRAM B (Decoder)



(X CON) = NUMBER OF VOLTAGE CONNECTIONS

DIAGRAM C (Control and Display)

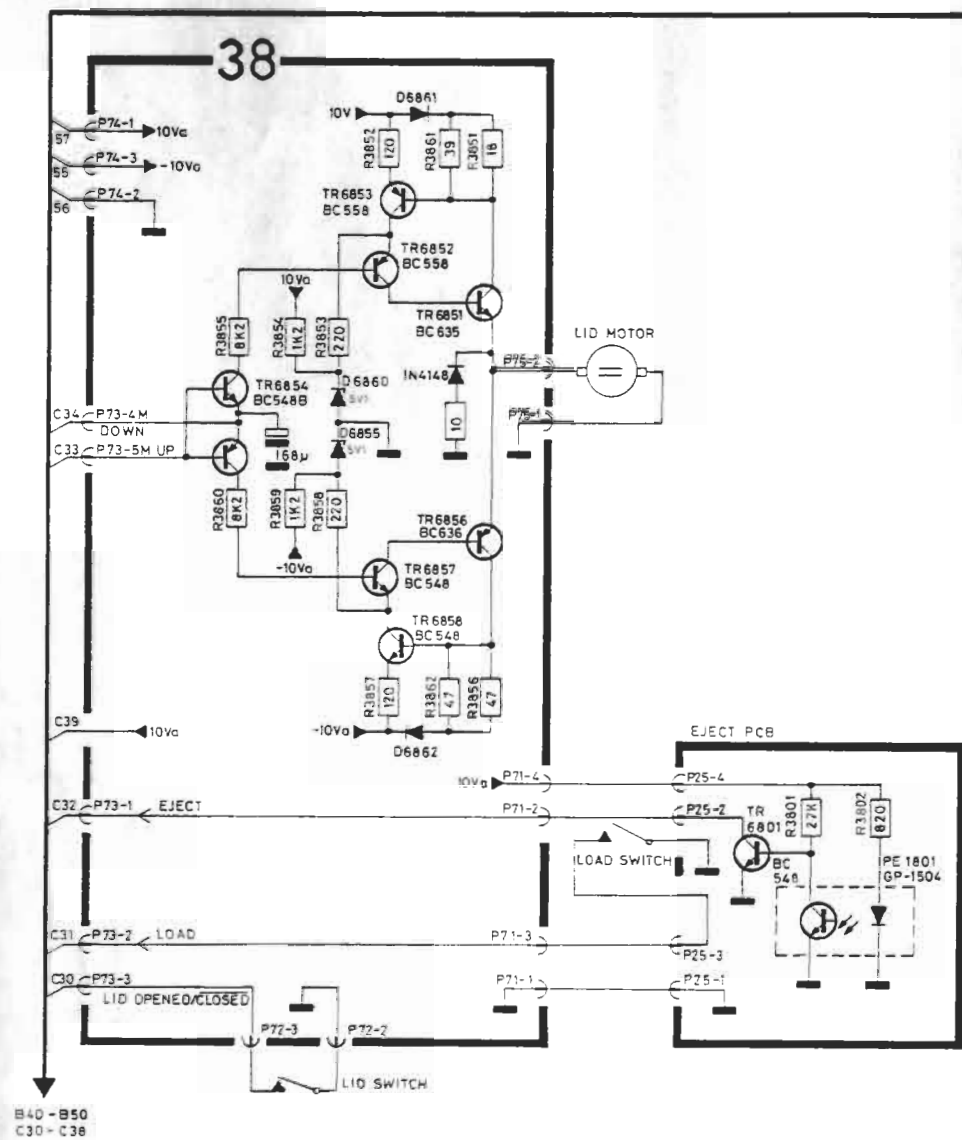
CONTROL AND DISPLAY



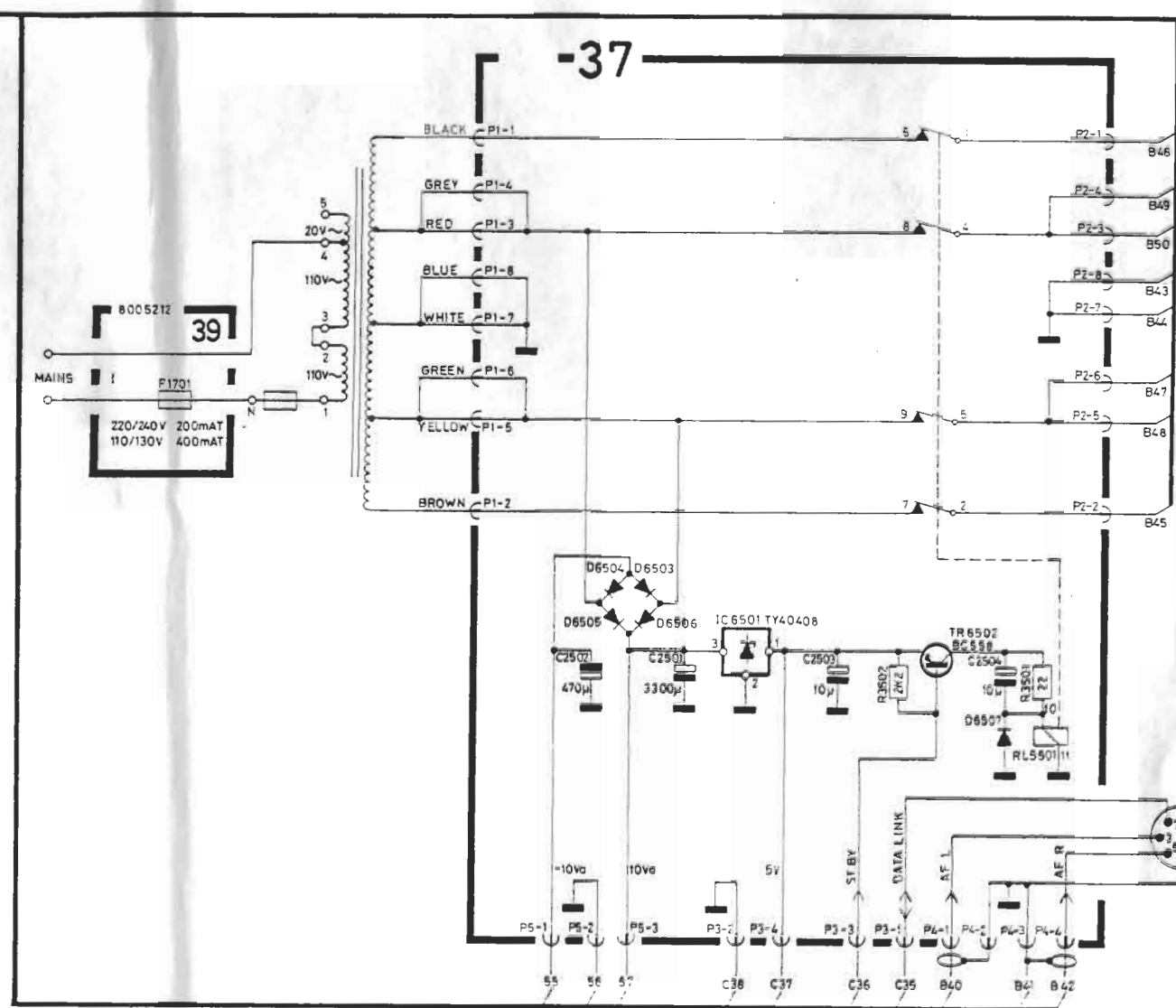
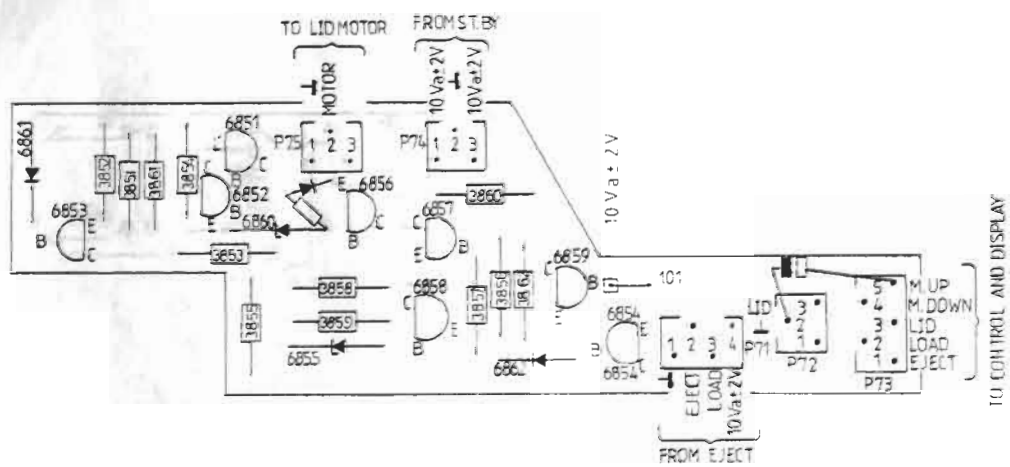
(X CON) = NUMBER OF VOLTAGE CONNECTIONS



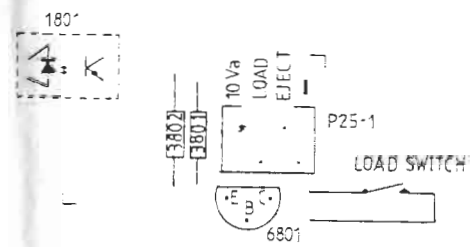
DIAGRAM D (Lid Motor Control, Eject Switch and St. By)



LID MOTOR CONTROL PCB 38



EJECT SWITCH



ST. BY PCB 37

